

REAR WHEEL SYSTEM

SC8000 1300 D NIL

2015.05.19

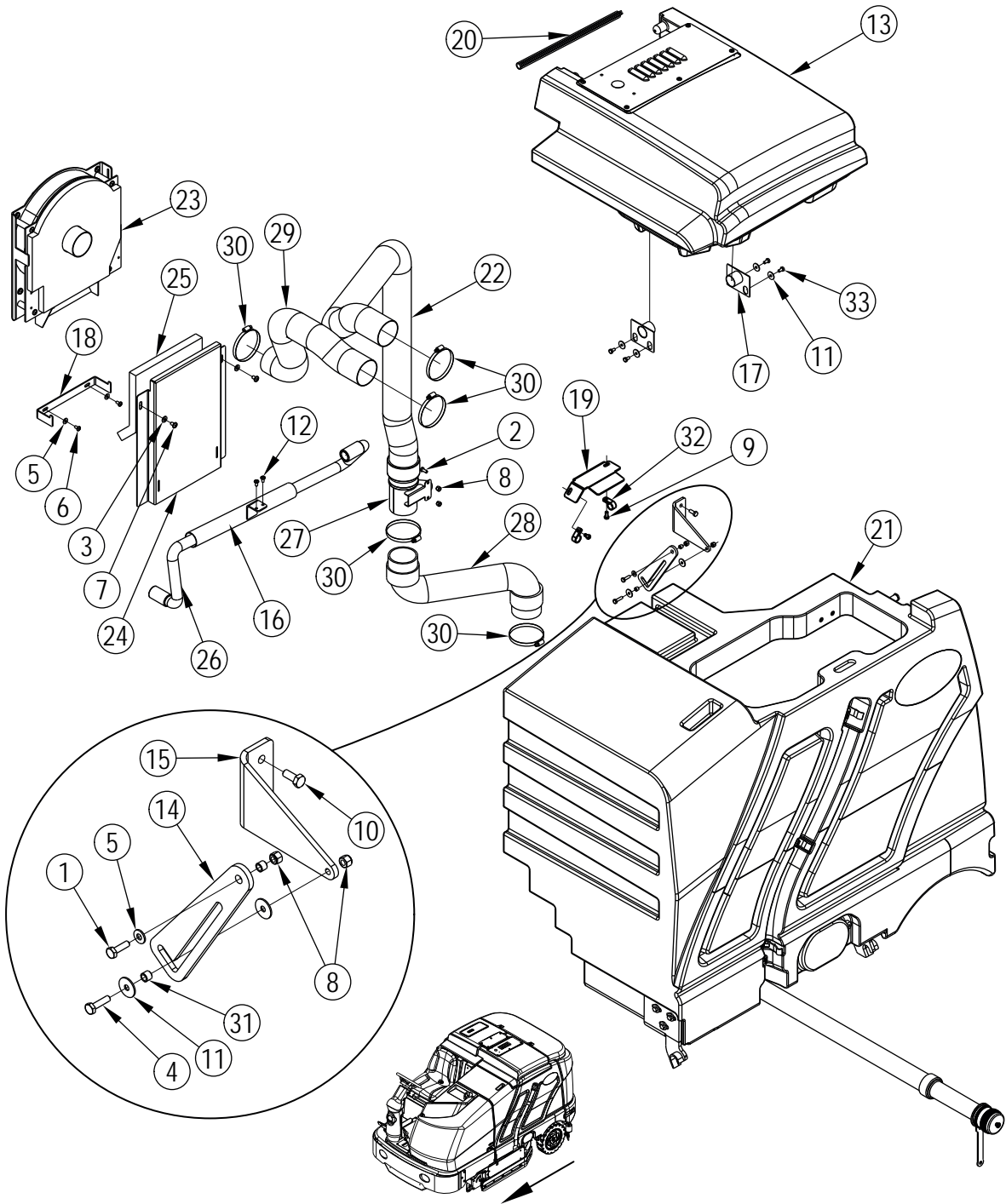
2017.09.05

Pos.	Artikel-Nr.	Menge	Variante	Notes
1	56001879	8	U-SCHEIBEN	
2	56003778	8	SCR HEX LOC 1/2-20 X 1.50 GR 8	
3	56109728	2	ASSEMBLY-SPINDLE-BRAKE	
	56384006	1	BRAKE SPRING KIT	
	56510762	2	BRAKE SHOE KIT	
4	56383402	2	WHEEL-MOLD-ON 16.2X4	[1]
	56509532	1	BEARING-WHEEL	[2]
	56509533	1	RING-SNAP	[3]
	56383550	2	WHEEL-MOLDON-PU 16.2-4	
5	2-00-02436	2	Splint	
6	2-00-05026	2	Sechskant-Schlitzmutter	
7	56004012	2	WSH-FLT 18-8 SS-1.062X2X.13	
8	8-11-00030	2	Kappe	

Part Notes:

- [1] - TSB-FC-2013-124 CS7000 and ER1300-1600 Tire Flat Spotting
TSBFC 2013-124 CS7000 und ER1300-1600 and SC 8000 Standplatten am Reifen
- [2] - (for 56383402)
- [3] - TSB-FC-2013-124 CS7000 and ER1300-1600 Tire Flat Spotting
TSBFC 2013-124 CS7000 und ER1300-1600 and SC 8000 Standplatten am Reifen

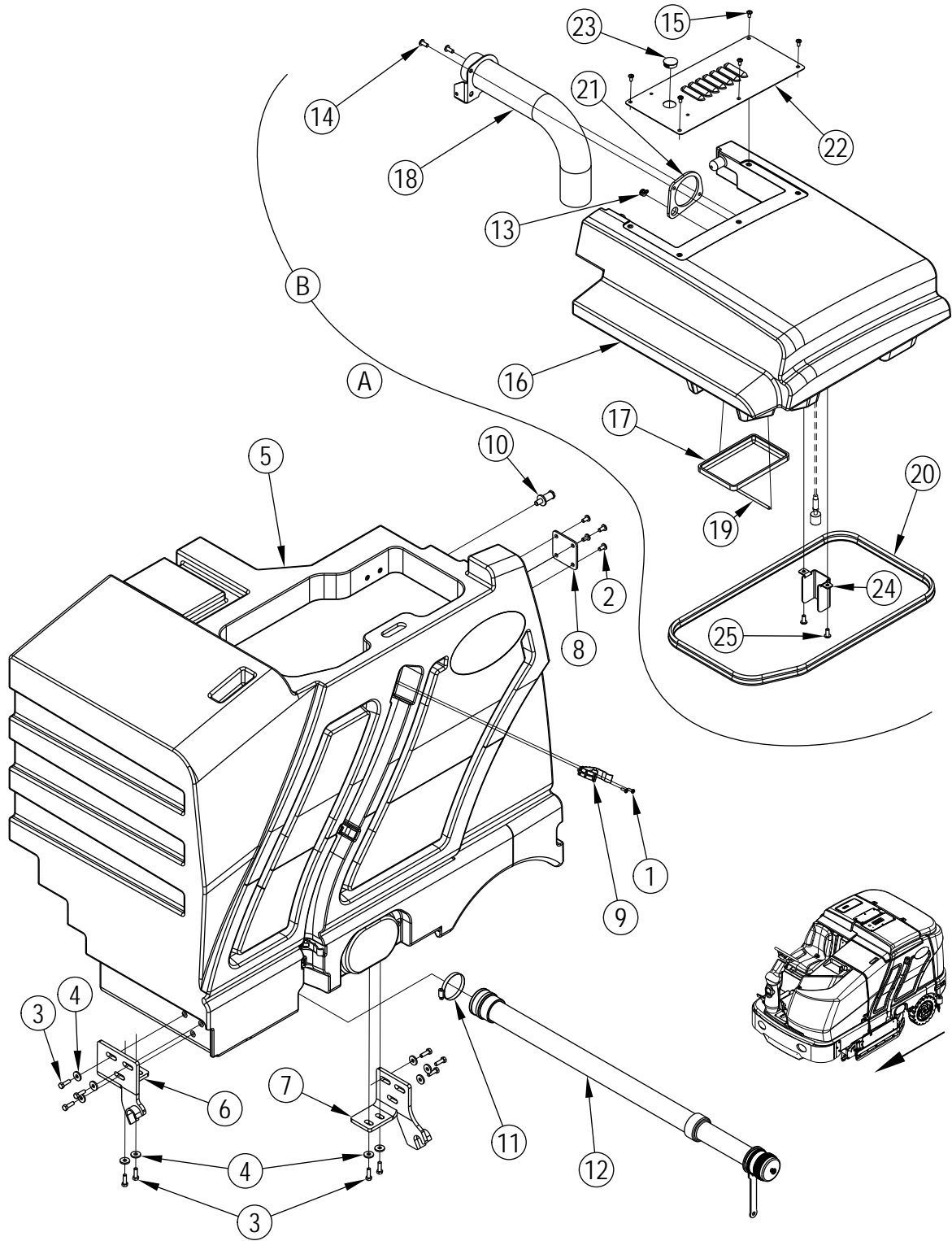
(for 56383402)



Pos.	Artikel-Nr.	Menge	Variante	Notes
1	56001821	1	SCR HEX HD 1/4-20 X .88	
2	56001836	2	Schraube 1/4-20x0.62	
3	56001939	2	Flachdichtung 5/16	
4	56002093	1	SCR HEX HD 1/4-20 X 1.00	
5	56002098	3	Scheibe	
6	56002145	2	Schraube 1/4 20x .50	
7	56002281	2	SCR PAN PHIL 5/16-18 X .50	
8	56002708	4	Stopmutter 1/4-20	
9	56009018	2	SCHRAUBE 1/4-20X3/4 HP5	
10	56002956	2	Schraube HEX LOC 5/16-18	
11	56009002	6	UNTERLEGSSCHEIBE, FLACH	
12	56009062	2	Schraube	
13		1	Cover Assembly, Recovery Tank	[1]
14	56110571	1	PROP REC. TANK COVER	
15	56111954	1	BRACKET-PROP	
16	56110667	1	TUBE WELDMENT	
17	56111952	2	HINGE SUPPORT WELDT	
18	56110867	1	BRACKET PANEL MOUNTING	
19	56111953	1	PLATE-TUBE SUPPORT	
20	56110912	1	Abdichtung	
21	56111078	1	Tank kpl.	[1]
22	56111089	1	HOSE ASSY CUFFED 3.00	
23	56111549	1	Saugmotor kpl.	[2]
24	56111559	1	PANEL WELDT	
25	56111568	1	SOUND FOAM	
26	56111772	1	Schlauch	
27	56111774	1	TUBE WELDMENT	
28	56305377	1	Saugschlauch CR 1400	
29	56331332	1	Saugschlauch	
30	56352829	5	Bride	
31	56368989	2	BUSHING .25x.37x.30	
32	56486112	2	Kabelklammer	
33	56003039	4	Schraube 1/4-20	

Part Notes:

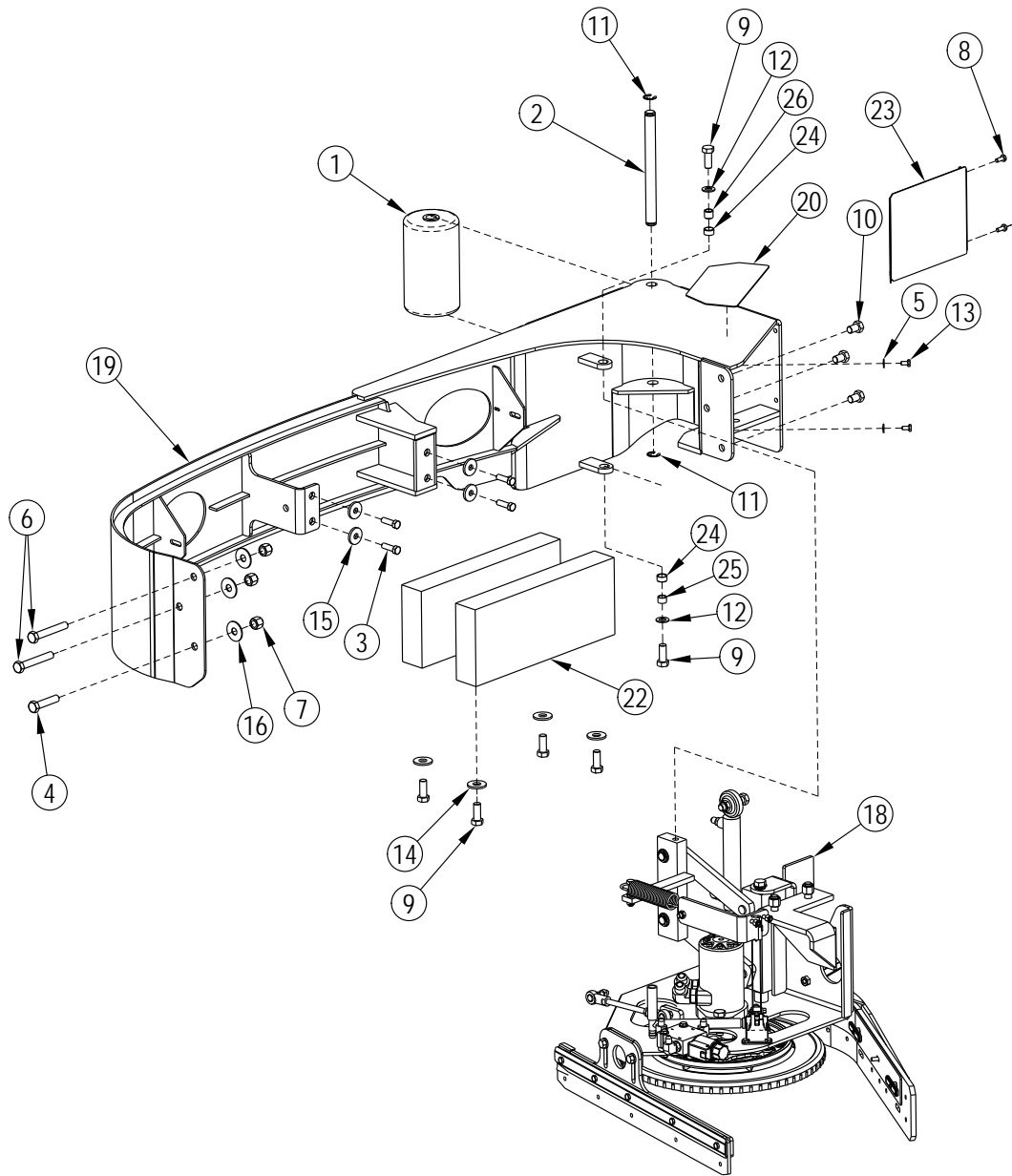
- [1] - RECOVERY SYSTEM - 2
[2] - VAC FAN ASSY



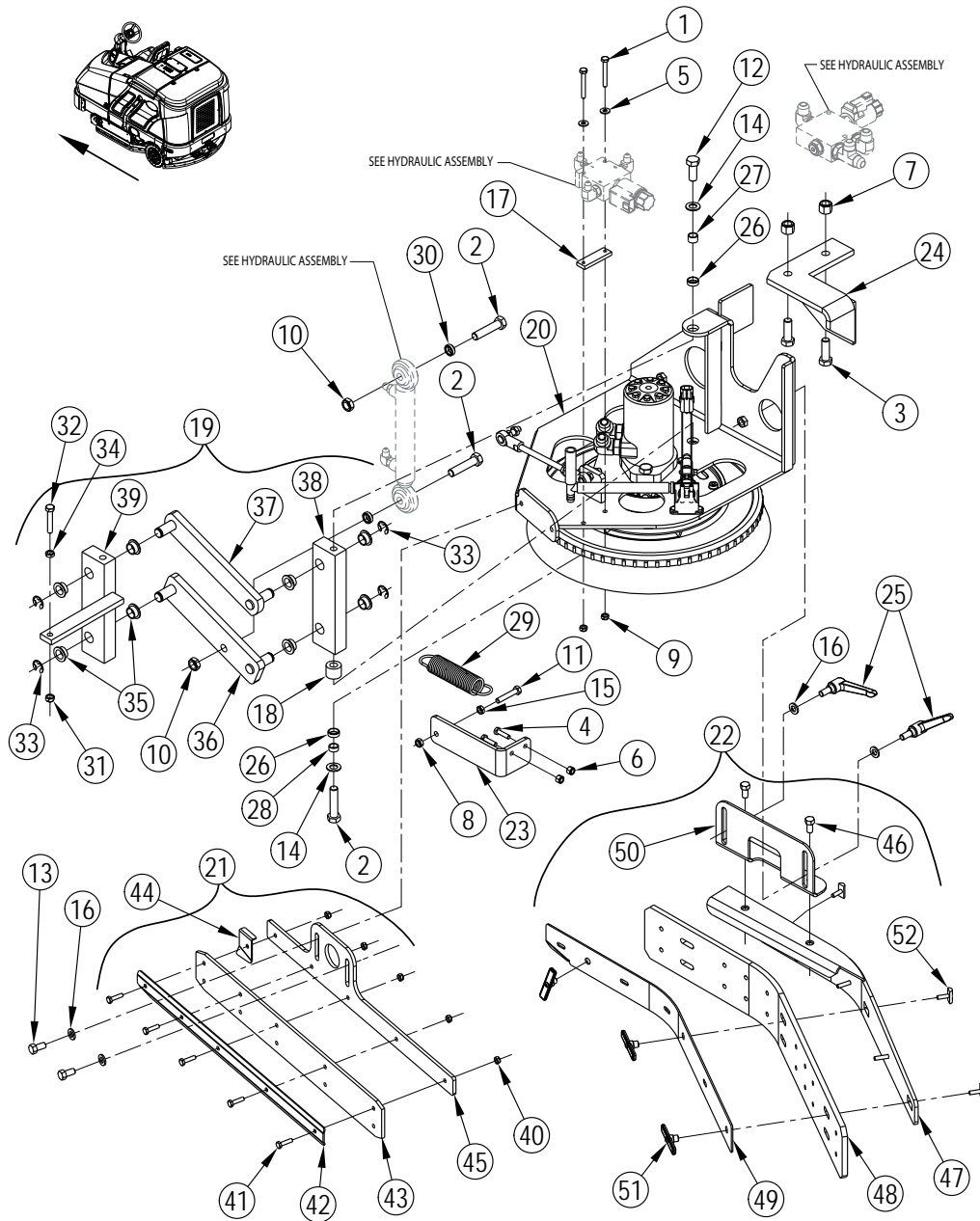
Pos.	Artikel-Nr.	Menge	Variante	Notes
A	56111078	1	Tank kpl.	[1]
1	56002896	6	Schraube SS10-24X0	
2	56003003	4	Schraube 5/16	
3	56003073	10	SCR HEX HD LOC S/16-18	
4	56009122	10	Unterlegscheibe	
5	56110390	1	TANK RECOVERY	
6	56111903	1	FRONT PIVOT WELDT	
7	56111904	1	REAR PIVOT WELDT	
8	56111905	1	TETHER MOUNT WELDT	
9	56212236	3	Schlauchbride BR 850	
10	56304864	1	Arretierbolzen	
11	56456797	1	Schlauchschelle	
12	56384881	1	HOSE-DRAIN-PU	
	56601410	1	Ablaßschlauch	
B		1	Cover Assembly, Recovery Tank (items 13-25)	
13	56201596	1	Zugentlastung	
14	56003014	2	Schraube	
15	56009069	5	"Zollschraube 1/4"" 20x50"	
16	56110455	1	Tankdeckel	
17	56110560	1	Abschlusswand	
18	56110562	1	Rohrbogen	
19	56110579	1	PIN FILTER	
20	56110580	1	GASKET	
21	56110581	1	GASKET	
22	56110637	1	COVER	
23	56111444	1	Deckel f. Rad	
24	56111737	1	SWITCH SHIELD	
25	56003119	2	SCR PAN PHIL SS 1/4 20 X .50.	

Part Notes:

[1] - (items 1-12)



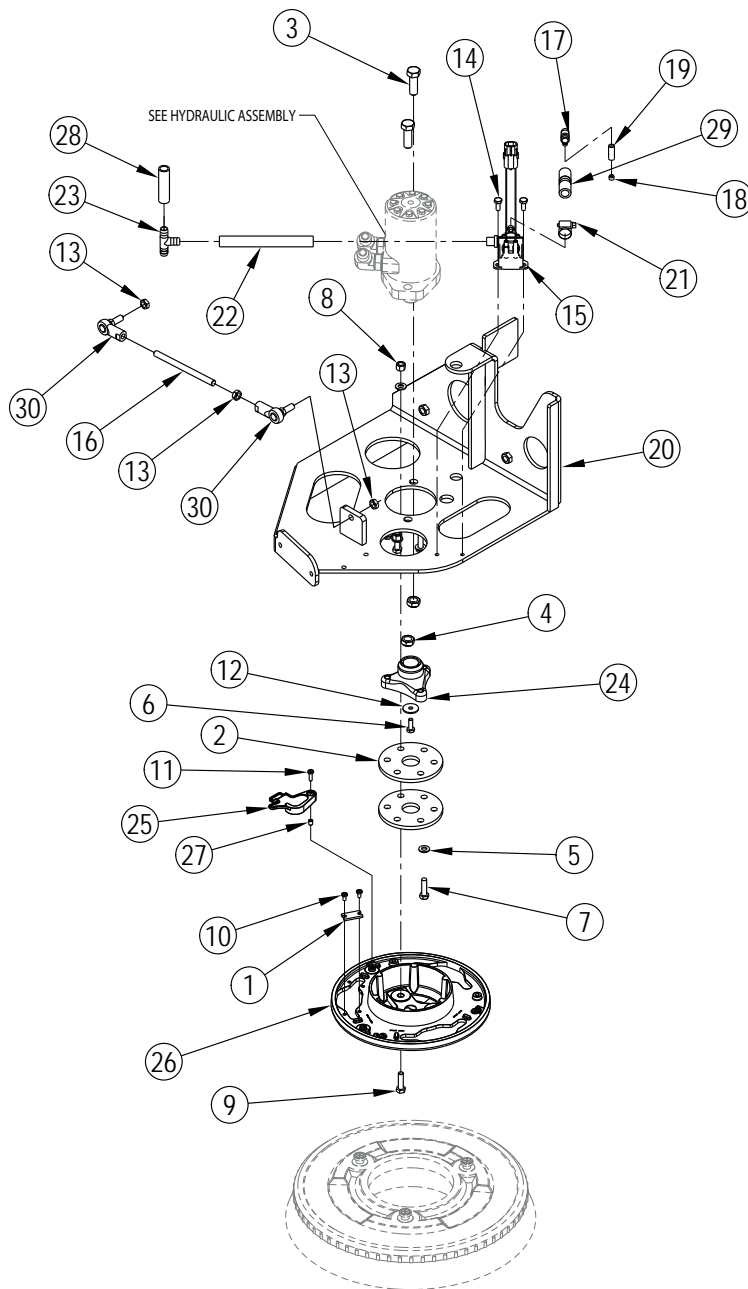
Pos.	Artikel-Nr.	Menge	Variante	Notes
1	56409335	1	BUMPER ROLLER	
2	56409336	1	PIN	
3	56001858	4	SCR HEX 3/8 16 X 1.25	
4	56001920	1	Schraube	
5	56002098	2	Scheibe	
6	56002116	2	Schraube HD 1/2-13x3.25	
7	56002770	3	Mutter 1/2 - 13	
8	56002922	2	SCR HEX LOC 1/4-20 X .62	
9	56003022	6	SCR HEX HD LOC 1/2-1X3	
10	56003032	3	Schraube 13x.75	
11	56003266	2	Sicherungsring	
12	56009017	2	WSH FLT HARDEN 516x938x75	
13	56009033	2	Schraube 1/4-20X1 2HP 5	
14	56009115	4	WSH FLT HARDENED .594X1.	
15	56009195	4	WSH FLT .406X 1.250X .164	
16	56009216	3	WSH FLT .531 X 1.500 X .075	
	56110547	1	HARNES SIDE SCRUB	
18		1	Right Scrub Assy	
19	56111950	1	BUMPER WELDMENT	
20	56111251	1	MAT STEP	
		1	Right Scrub Hyd	
22	56111487	2	WEIGHT	
23	56111951	1	COVER-RIGHT SCRUB	
24	56305553	2	Lager .719 x .625 x .375	
25	56360627	1	Büchse	
26	56367206	1	BUCHSE	



Pos.	Artikel-Nr.	Menge	Variante	Notes
1	56003480	2	SCR-HEX SS 1/4-20 X 2.00	
2	56001920	3	Schraube	
3	56001968	2	Schraube	
4	56002883	2	Schraube SS1/4-20x75	
5	56002914	2	WSH FLT STD SS 1/4	
6	56002491	2	Stopmutter 1/4-20	
7	56002770	2	Mutter 1/2 - 13	
8	56002851	1	Mutter NYL LOC-THIN SS5/	
9	56002850	2	NUT HEX NYL LOC-THIN SS	
10	56002843	2	NUT HEX NYL LOC-THIN1/2-1	
11	56003333	1	SCR HEX SS 5/16-18X1.75	
12	56003022	1	SCR HEX HD LOC 1/2-1X3	
13	56003079	2	SCR HEX HD LOC 3/8-16X1	
14	56009017	2	WSH FLT HARDEN 516x938x75	
15	56009141	1	Mutter HEX JAM SS 5/16-18	
16	56009214	4	WSH FLT .406X.750X.090	
17	56110651	1	NUT PLATE	
18	56111160	1	SPACER	
19	56111202	1	BRUSH ARM ASSY	
20	56111253	1	BRUSH ASSY	
21	56111525	1	SKIRT ASSEMBLY	
22	56111819	1	RT SCRUB SKIRT ASSY	
23	56111910	1	BRACKET-SPRING	
24	56111911	1	STOP WELDMENT	
25	56111869	2	HANDLE-LOCKING	
26	56304893	2	Kunststoffbuchse	
27	56360627	1	Büchse	
28	56365030	1	BUSHING CA334D	
29	56412216	1	Zugfeder	
30	56481456	2	BUSHING .50X.75X.25	
31	56002826	1	NUT HEX NYLOC THIN 5/16-1	
32	56003005	1	Schraube 5/16 18x 1.75	
33	56003265	4	Sprengring	
34	56009086	1	NUT, HEX JAM 5/16-18	
35	56110338	8	Lagerflansch	
36	56111147	1	ARM WELDT-LOWER	
37	56111148	1	ARM WELDT-UPPER	
38	56111825	1	PIVOT-SIDE BRUSH	
39	56111841	1	PIVOT WELDMENT	
40	56002850	5	NUT HEX NYL LOC-THIN SS	
41	56002883	5	Schraube SS1/4-20x75	
42	56111491	1	STRAP SKIRT	
43	56111635	1	Absaugleisten-Set Gummi, rot	[1]
43	56111636	1	Absaugleisten-Set Gummi	[1]
43	56111637	1	Absaugleisten-Set PU	[1]
44	56111547	1	TAB	
45	56111909	1	BRACKET-SKIRT	
46	56003079	2	SCR HEX HD LOC 3/8-16X1	
47	56111908	1	SKIRT MOUNT WELDT	
48	56111635	1	Absaugleisten-Set Gummi, rot	[1]
48	56111636	1	Absaugleisten-Set Gummi	[1]
48	56111637	1	Absaugleisten-Set PU	[1]
49	56111824	1	STRAP-SKIRT	
50	56111907	1	BRACKET-SKIRT	
51	56413717	3	Spezial Mutter BR 1300SC	
52	56413850	3	Spezial SchraubeBR 1300 SC	

Part Notes:

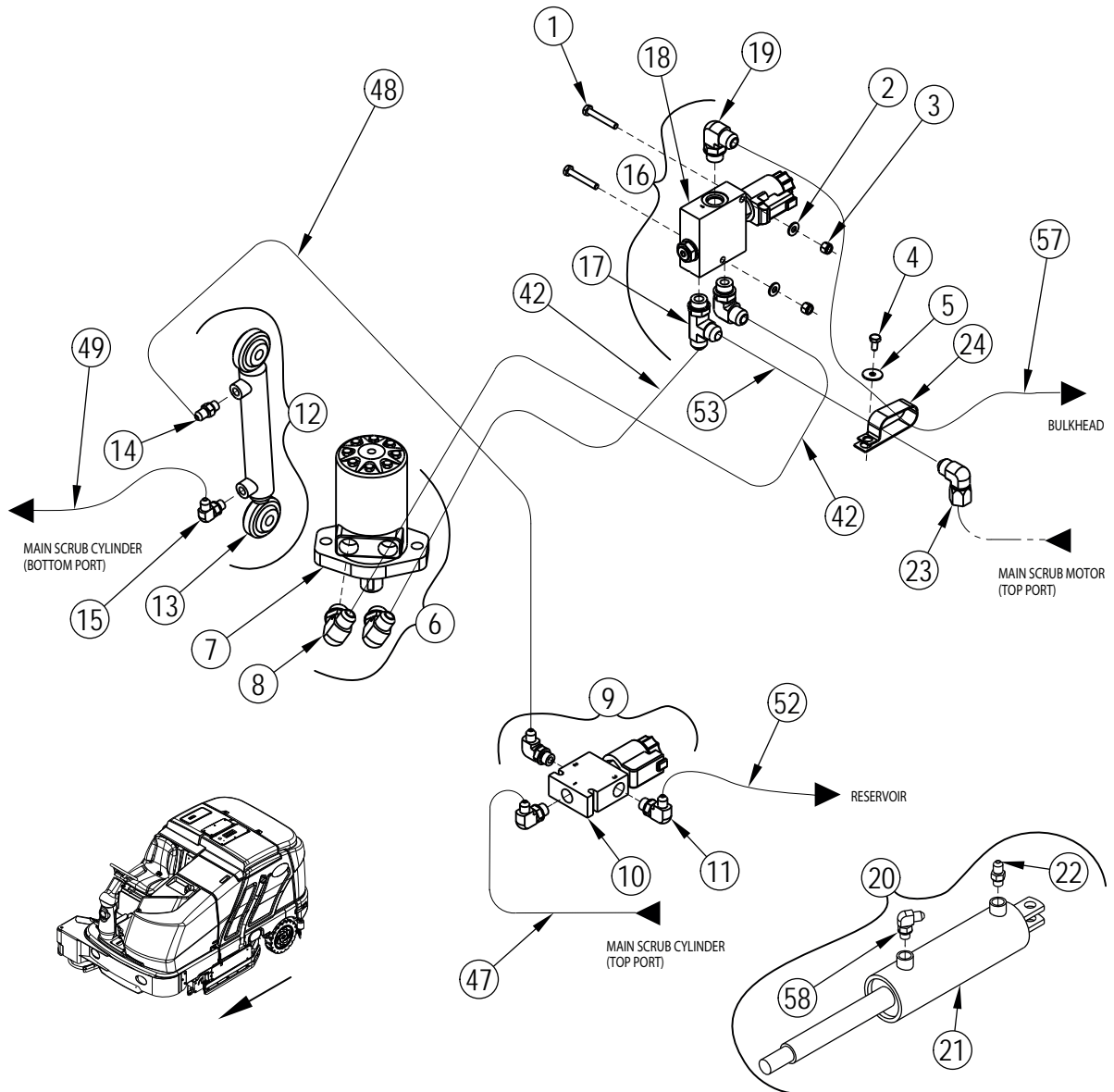
- [1] - Blade kits include 2 blades, one of each of the blades needed for the right scrub assembly.



Pos.	Artikel-Nr.	Menge	Variante	Notes
	56111253	1	BRUSH ASSY	[1]
1	56366455	1	Platte zu BR 1000	
2	56383238	2	BRUSH DRIVE DISC	
3	56001968	2	Schraube	
4	56002843	2	NUT HEX NYL LOC-THIN1/2-1	
5	56002938	6	WSH FLT SAE SS 5/16	
6	56003221	1	SCR HEX LOC SS 1/4 20 X .75	
7	56003278	3	SCR HEX LOC SS M8 1.25 X 30MM	
8	56003405	3	Stopmutter M8 Inox	
9	56003639	3	Schraube HEX SSM8-1,25x30	
10	56009030	2	Schraube 10-2	
11	56009042	1	Schraube	
12	56009060	1	SCHEIBE-U	
13	56009103	3	Stopmutter 3/8-24	
14	56009250	2	SCR HEX THD FORM 1/4-20X.62	
15	56110464	1	Magnetventil	
16	56111814	1	ROD	
17	56111842	1	ELBOW-BARBED .500 X .312	
18	56111843	1	ORIFICE PLUG	
19	56111844	1	Schlauch PVC.250x.375x1.0	
20	56111906	1	MOTOR BRACKET WELDT	
21	56219932	1	Briede	
22	56244967	1	HOSE .50 X 65.00 E00199	
23	56262549	1	Aufsatz	
24	56304077	1	Flansch	
25	56305515	1	Bürstensperre links	
26	56314030	1	Bürstenhalter BA 650	
27	56369004	1	Hülse	
28	56392347	1	Schlauch PVC Transp. 2,5"	
29	56397209	1	Schlauch, PVC 0,5x5,5	
30	56397385	2	BALL JOINT	

Part Notes:

[1] - (items 1-30)



Pos.	Artikel-Nr.	Menge	Variante	Notes
		1	Right Scrub Hd Assy	[1]
1	56001967	2	Schraube HEX HD 1/4-20 x	
2	56002098	2	Scheibe	
3	56002708	2	Stopmutter 1/4-20	
4	56003039	1	Schraube 1/4-20	
5	56009002	1	UNTERLEGSSCHEIBE, FLACH	
6		1	Hydraulic Motor Assy	[2]
7	56111526	1	Motor Hydraulisch	
	56479577	1	Dichtsatz	
	56307149	1	Viton Abdichtungkit	
8	56900114	2	Winkel 90Grad f. CR 1300	
9		1	Solenoid Valve Assy	[3]
10	56110404	1	VALVE SOLENOID	
	56305351	1	CARTRIDGE	
	56110712	1	Ersatzspule	
	56305349	1	SEAL KIT	
11	56900110	3	Winkel 90Grad f. CR 1300	
12		1	Opt Scrub Cyl Assy	[4]
13	56111885	1	Zylinder hydraulisch	
	56111886	1	SEAL KIT	
14	56900001	1	O-ring verbindung	
15	56900101	1	Bogen 90 Grad	
16		1	Valve Assembly, Solenoid	[5]
17	56900204	1	TEE RUN O/R -8 E00005	
18	56110711	1	Solenoid Ventil, Motor	
	56507686	1	CARTRIDGE	
	56110715	1	COIL REPLACEMENT	
	56305370	1	CHECK VALVE CARTRIDGE	
	56305354	1	Dichtungskit	
	56111201	1	SEAL KIT	
19	56900104	2	Bogen 90 Grad	
20	56111587	1	Zylinderset Lenkung	[6]
21	56111593	1	Zylinder hydraulisch 2x5	
	56488723	1	SEAL KIT	
22	56900001	1	O-ring verbindung	
58	56900101	1	Bogen 90 Grad	
23	56900304	1	ELBOW 90D W/NUT -8 E00007	
24	2-00-05253	1	Klammer	
42	56110777	2	Schlauchset	
47	56110782	1	Schlauchset	
48	56110783	1	Schlauchset	
49	56110784	1	Schlauchset	
52	56110787	1	Schlauchset	
53	56110792	1	HOSE ASSY	
57	56110796	1	HOSE ASSY	

Part Notes:

- [1] - items 1-24, 42, 47-49, 52, 53, 57, 58
- [2] - (items 7-8)
- [3] - (items 10-11)
- [4] - (items 13-15)
- [5] - (17-19)
- [6] - (items 21-22, 58)

Pos.	Artikel-Nr.	Menge	Variante	Notes
1	56365068	2	SPRING EXT .62X2.50CA333G	
2	56449221	2	DAEMPFER	
3	56003302	1	Schraube 5/16-18	
4	56003047	7	SCR HEX SS 1/4-20 X .62	
5	56002801	10	SCR HEX SS 1/4-20 X .50	
6	56002938	1	WSH FLT SAE SS 5/16	
7	56003495	4	SCR HEX S.S. 1/2-13 X 1.5	
8	56002888	2	SCR HEX HD SS 1/2-13X1 75	
9	56002910	4	"Scheibe 3/8""	
10	56002800	4	SCR HEX SS 3/8-16 X 2.00	
11	56002883	3	Schraube SS1/4-20x75	
12	56002859	2	Mutter SS 1/4	
13	56002491	4	Stopmutter 1/4-20	
14	56003219	4	Mutter Zoll LOC SS 3/8 16	
15	56002846	2	NUT HEX NYL LOC SS 1/2-13	
16	56002850	12	NUT HEX NYL LOC-THIN SS	
17	56002854	4	NUT HEX NYL LOC-THIN SS 1/2-13	
18	56003924	2	NUT-HEX NYL LOC SS 5/8-18	
20	56003925	3	SCR-HEX LOC SS 5/16-18 X .75	
21	56003926	2	SCR-HEX SS 1/2-13 X 2.00	
22	56002935	6	SCR HEX LOC SS 1/4-20 X .5	
23	56003045	2	SCR HEX SS 5/8-18 X 1.50	[1]
24	56003086	4	SCR FLT PHIL SS 1/4-20X .88	
25	56003120	2	Vorstecker	
26	56003138	2	PIN SPR .25 X .75	
27	56003222	6	"Splint 0.125"" x 0.5""	
28	56003620	1	Bolzen	
29	56003728	1	Gabelstift 500x1,75	
30	56009003	2	Unterlagsscheibe	
31	56003927	2	NUT-HEX JAM SS 1/2-13	
32	56009017	8	WSH FLT HARDEN 516x938x75	
33	56009141	1	Mutter HEX JAM SS 5/16-18	
34	56003145	3	Nut 1/4 20	
35	56111933	1	BRUSH HOUSING WELDT	
36	56110338	8	Lagerflansch	
37	56110349	1	Kehrgutbehälter	
38	56110514	2	Gleitstück	
39	56110752	2	Walzenlager Baugruppe	
40	56110757	1	HINGE TOP	
41	56111926	2	ARM-BRUSH HSG	
42	56110952	1	TRAY HANGER ASSY	
43	56110971	1	Riegel	
44	56111108	1	Riegel	
45	56111927	1	DIVERTER WELDT	
46	56111928	2	BRACKET-BRUSH HSG	
47	56111666	1	HINGE LEFT	
48	56111738	1	Randleiste rechts	
49	56111740	1	Seitenschürzenkit, links	
50	56111751	1	Blende	
51	56111759	2	SKID	
52	56111784	2	Buchse	
53	56111929	1	SHIELD-TROUGH	
54	56111930	1	PLATE	
55	56111790	1	Auflageschiene	
56	56111932	1	STRAP	
57	56303285	2	Lager, Fl. 500x.375x.250	
58	56304519	4	Lager, Fl. 625x.500x.375	
59	56111931	2	ARM-PARALLEL 7.5IN	
60	56367206	2	BUCHSE	

Pos.	Artikel-Nr.	Menge	Variante	Notes
61	56413211	2	Lagerflansche	
62	56440817	2	"Knopf 1.00 x 1/4 """"	
63	8-33-09046-1	2	Nabe	
64	8-58-05160	2	Sicherungsplatte, Antrieb	
65	56002904	6	SCR HEX SS 1/2-13 X 1.25	
66	56002854	6	NUT HEX NYL LOC-THIN SS 1/2-13	
67	56002887	4	SCR HEX SS 1/2-13 X 1.00	
68	56009017	8	WSH FLT HARDEN 516x938x75	
69	56110338	4	Lagerflansch	
70	56111917	1	TRAY HANGER WELDT	
71	56111918	1	TRAY HANGER WELDT	
72	56111919	2	LEVER	
73	56304893	4	Kunststoffbuchse	
74	56360627	2	Büchse	
75	56365030	2	BUSHING CA334D	
76	56367206	4	BUCHSE	
77	56419120	2	CLAMP HOSE SUPPORT 56E00616	
78	2-00-03702	1	Flachscheibe	[2]

Part Notes:

- [1] - EXPIRED 11/11/11
- [2] - EXPIRED USE 56002098

