

# PARTS LIST

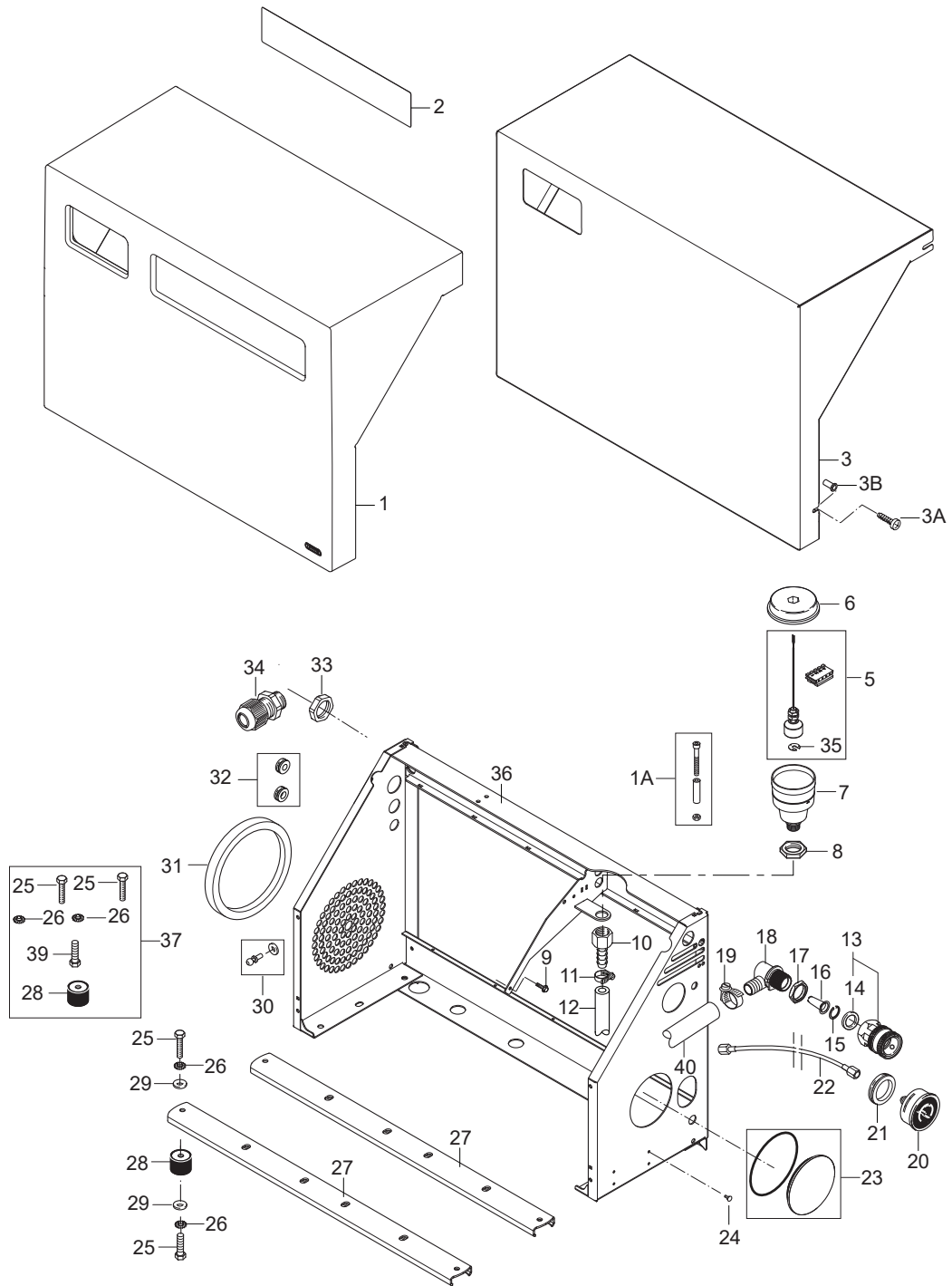


2020.09.07

# TABLE OF CONTENTS

---

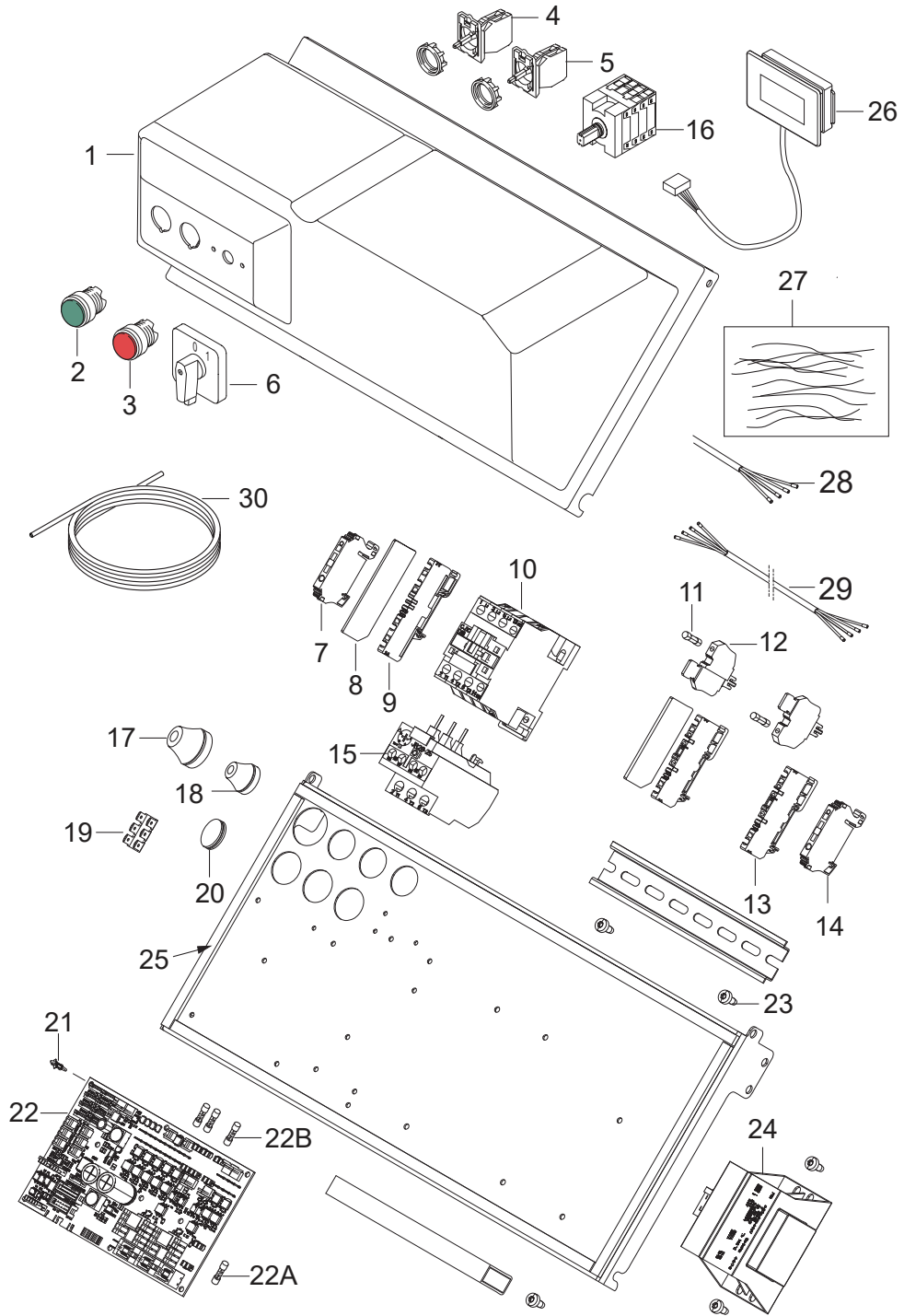
Overview_UNO.....	1
Electric box_UNO.....	3
Motor.....	5
UPPER Cylinder block.....	7
Control safety block from serial no. 3520190900948 – 2019. Mar. 4.....	9
Control safety block up to serial no. 3520190900948 – 2019. Mar. 4.....	11
Control safety block 2.....	13
UPPER Connection plate.....	15



Pos.	Artikel-Nr.	Menge	Variante	Notes
	31001229	1	OIL ISO 150 ALPHASYN-T 20L	
0	5218433	1	Pumpenöl 150 1x1l	[1]
1	107307349	1	CABINET EPP	
1A	101118162	1	SCREW KIT FOR CABINET EPP UNO/DUO	
2	107307351	1	FRONTLABEL	[2]
2	107307373	1	FRONTLABEL UNITOR HPC STATIONARY 1P	
3	107307352	1	CABINET SS. UNO	
3A	107143307	4	SCREW M5X16 A2 ECO-FIX FORM H	
3B		4	Pop-nut M5 A2 WO/flange	
5	101118173	1	OIL SENSOR W/PLUG KIT	[3]
6	301000615	1	Deckel	
7	301000614	1	Öltank	
8	101609356	1	Mutter	
9	106268067	4	SCREW KIT	
10	107307313	1	HOSESTUD D10X3/8	
11	1805100	1	Schlauchschelle 8-22x 8	
12	106408242	1	HOSE 5/8INCH - 2 METERS	
13	1602945	1	Kupplung kpl. 3/4	
14	3001237	1	Dichtung	
15	107141667	1	Sicherungsring	
16	101117926	1	Sieb	
17	1800341	1	Gegenmutter 3/4	
18	107141669	1	WATER INLET PIPE C3	
19	8298	1	Schlauchschelle SGL 16-27	
20	107141648	1	MANOMETER 0-300 BAR	
21	103004331	1	SLEEVE PVC 45/ 60	
22	107307316	1	MANOMETER HOSE DN2. COMPLETE	
23	101118165	2	PLUG + O-RING KIT FOR FRAME UNO/DUO	
24	107307314	4	SNAP RIVET D12/D6	
25	1802909	8	Schraube M8X16 DIN 933	[4]
26	1810274	8	Fächerscheibe 8,2 -J- DIN 6798 VA	
27	107307311	2	PROFIL M/P	
27	107307312	2	PROFIL M/P SS	
28	107307309	4	GUMMI METAL BUFFER D30X30	
29	1802917	8	Scheibe M8	
30	101118164	1	PINS KIT FOR CABINET EPP UNO/DUO	
31	107307310	1	SEALING FOR MOTOR	
32	101118163	1	BLANKING PLUGS KIT FOR FRAME UNO/DU	
33	909100021	1	Sechskantmutter M32 x1,5 EN 50262 PA	
34	103821837	1	CABLE BUSHING M32X1.5	
35	107142593	1	HOLDING WASHER PE	
36	107307376	1	FRAME PAINTED SC UNO 5M/6P/7P	
37	101118289	4	RUBBER MET. BUFFER D40X30 KIT SC UNO/DUO	[5]
39			Screw M8x45 A2 ISO4762	
40	107307337	1	HOSE 3/4INCH GREY MULTIFLEX AIR 20	

## Part Notes:

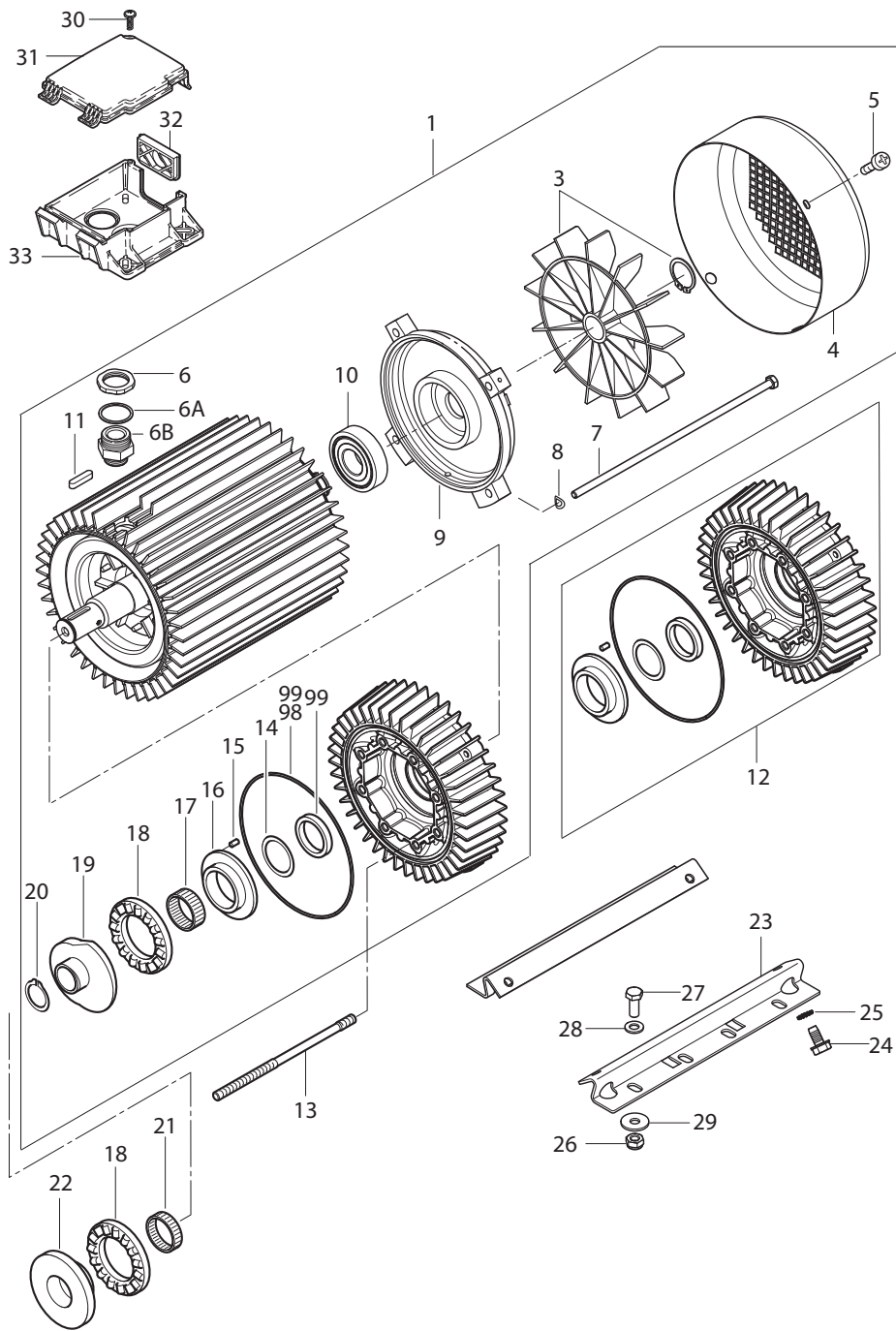
- [1] - 0,75L - OIL TYPES\_QUANTITY for HPW\_APRIL 2017
- [2] - Nilfisk
- [3] - MI 107309166 JST Connector
- [4] - TSB-PPW-2016-020 SC UNO-DUO 6P Motor bracket bolts can loosen
- [5] - TSB-PPW-2017-020 SC UNO\_DUO Broken dampers between the pump and frame  
FR TSB-PPW-2017-020 SC UNO\_DUO Casse des amortisseurs de la liaison moteur\_chassis



Pos.	Artikel-Nr.	Menge	Variante	Notes
1	107307319	1	E-BOX COVER UNO/DUO	
2	103821823	1	Leuchttaster Vorsatz grün	
3	103821824	1	Leuchttaster Vorsatz rot	
4	103821825	1	Tastschalter Schließler	
5	103821826	1	Tastschalter Öffner	
6	103821849	1	Knebel für Nockenschalter	
7	107307325	1	END PLATE PAP 2.5/4/4AN	
8	107307321	3	END PLATE PAP - PTR 2.5/4	
9	107307324	2	TERMINAL BLOCK PDU 2.5/4/4AN	
10	103822306	1	Schütz CJX2-D18-B7 24V	[1]
10	103822313	1	Schütz 100-C23KJ10	[2]
10	103822317	1	Schütz CJX2-D32-B7 24V	[3]
11	107307323	2	FUSE D5X20 0.63A T 250V	
12	107307322	2	FUSE PLUG - SIHA 3/G20 - PTR 2.5/4	
13	107318227	2	TEST TERMINAL PUSH-IN P-SER. PTR 2.5/4	
14	107318193	2	END BRACKET FOR DIN-RAIL	
15	103822327	2	Thermorelais 12-18A	[4]
15	103822328	2	Thermorelais 17-25A	[4]
15	103822329	2	Thermorelais 23-32A	[4]
16	103821839	1	Nockenschalter 0-1	
17	3803798	1	Tülle	
18	3803780	3	Tülle	
19	107307326	1	ERDUNGSANSCHLUSS 6 PIN	
20	107318235	1	RUBBER PLUG 25 BLACK	
21	107307320	8	DOPPEL SICHERUNG 7MM/3.5M	
22	101118236	1	PCBA NEO PLATFORM 13 SC KIT	[5]
22A	31001190	1	FUSE 6.3A 5X20 MM 250V	
22B	15846	3	Sicherung 5x20 2,5A T	
24	107307331	1	TRAFO 40VA PR 230-400-440.SEC1+2 24VAC	
23	107141690	6	Linsenschraube DIN7985-M5x12-8.8	
25	107307330	1	DAFACELL 4X8MM ADHESIVE	
26	107307329	1	PCBA HOUR COUNTER DISPLAY	
27	101118167	1	VARIOUS WIRES KIT FOR E-BOX UNO 400/3/50	
27	101118168	1	VARIOUS WIRES KIT FOR E-BOX UNO L 400/3/	
27	101118169	1	VARIOUS WIRES KIT FOR E-BOX UNO 440/3/60	
27	101118170	1	VARIOUS WIRES KIT FOR E-BOX DUO 400/3/50	
27	101118171	1	VARIOUS WIRES KIT FOR E-BOX DUO 440/3/60	
28		1	Power cord H07RN-F 4G2.5	
28		1	Power cord H07RN-F 4G6	
28		1	Power cord H07RN-F 4G10	
29	101118172	1	MOTORCABLES KIT SC UNO/DUO NA5/NA6/C3	
29	101118179	1	MOTORCABLES KIT FOR SC UNO/DUO NA6+	[6]
30	31001016	1	REMOTE/JUNCTION BOX CABLE 25 M	

## Part Notes:

- [1] - Uno 5M-200/1050, Uno 6P-170/1610, Uno 7P-180/1200, Duo 6P-170/3220, Duo 7P-180/2400
- [2] - Uno 6P-200/1900, Uno 6P-160/2500, Duo 6P-200/3800, Duo 6P-160/5000
- [3] - Option 230/3/50 conversion kit
- [4] - TSB-PPW-2015-009 SC UNO\_DUO Thermal Relay Setting  
DE TSB-PPW-2015-009 SC UNO DUO Einstellung thermischer Motorschutzschalt...
- [5] - TSB-PPW-2016-001 Remote Control failure on SC UNO\_DUO
- TSB-PPW-2017-007 SC UNO\_SC DUO new circuit board 101118236  
DE TSB-PPW-2017-007 SC UNO SC DUO neue Platine 101118236
- [6] - Only for NA6 +



Pos.	Artikel-Nr.	Menge	Variante	Notes
	31001229	1	OIL ISO 150 ALPHASYN-T 20L	
0	5218433	1	Pumpenöl 150 1x1l	
1	107300135	1	MOTOR 6.5KW-230V/440V/50HZ/3PH 6.833DEG	
1	107120751	1	Motor 6,5kW/440-220/3	
1	107120750	1	Motor 6,5kW/400-415/230/	
3	107142275	1	FAN AND RETAINING RING	
4	107142276	1	COVER FOR FAN	
5	101814693	2	Schraube M4x8	
6	20862	1	Rohrmutter R1	
6A	103004340	1	Dichtring 1	
6B	107302152	1	Verschraubung G1AG/G3/4	
7	31000493	4	STAY BOLT 306 MM	
8	1801182	4	Federring 8,1	
9	107142277	1	REAR BEARING COVER	
10	31000149	1	Lager RF	
11	3200672	1	Passfeder 6x6x32	
12	107140615	1	Lagerabdeckung, vorn	
13	6301368	8	Stehbolzen	
14	6100995	1	Scheibe 53x40,5x1,25	
15	6100996	1	Kegelstift	
16	107120703	1	Lagerscheibe Motorseitig	[1]
17	3200656	1	Nadellager K40x45x17	
18	3200615	2	Axialrollenlager	
19	107120710	1	Taumelscheibe No.6	[2]
19	107120716	1	Taumelscheibe No.12	[3]
20	1802511	1	Sicherungsring 28x1,2	
21	3200664	1	Nadellager K40x45x13A	
22	107120704	1	Lagerscheibe Pumpenseiti	[1]
23	107142071	2	MOTORHALTERUNG C3 C3 POSEIDON 7	
24	107140908	4	SPECIAL SCREW M10x20 F. C3 BRACKET SPARE	
25	10204	8	Fächerscheibe 10,5 -A- DIN 6798 FSt/zn	
26	8952	4	Sechskantmutter M10 ISO 7042 zn	
27	1801133	4	Schraube M10x25	
28	2767	4	Scheibe 10,5x2,0 ISO 7090 zn	
29	4827	4	Scheibe 10,5x2,5 A ISO 7093-1 zn	
30	10028	4	Ejotschraube KA50x14 WN1411 verz	
31	301000782	1	Deckel	
32	17106	1	Abschlussdeckel	
33	301000781	1	Rahmen	
98	1119820	1	Reparatursatz Öldichtung	
99	1119570	1	Dichtsatz	

## Part Notes:

- [1] - TSB-PPW-2019-007 C3 NA6 Wobble Disc and Bearing Track surface hardening change  
 [2] - TSB-PPW-2019-007 C3 NA6 Wobble Disc and Bearing Track surface hardening change

SC UNO 7P-180/1200 440/3/60 EXPT, SC DUO 7P-180/2400 440/3/60 EXPT

UNITOR HPC STATIONARY 2P – 180/2400

- [3] - TSB-PPW-2019-007 C3 NA6 Wobble Disc and Bearing Track surface hardening change  
 SC UNO 7P-180/1200 400/3/50 EU, SC DUO 7P-180/2400 400/3/50 EU

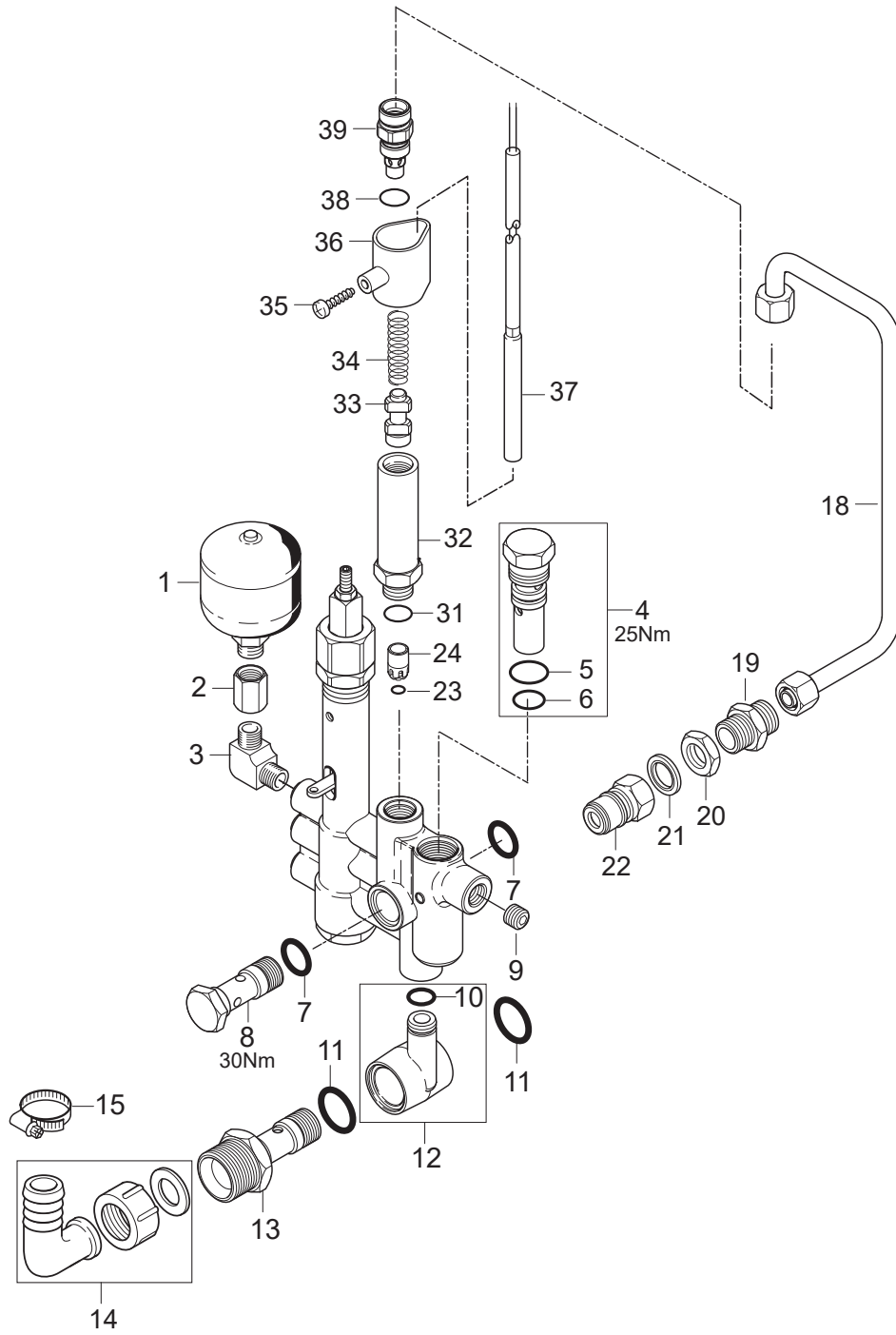




Pos.	Artikel-Nr.	Menge	Variante	Notes
	31001229	1	OIL ISO 150 ALPHASYN-T 20L	
0	5218433	1	Pumpenöl 150 1x1l	
2	106408241	2	Schlauch transp.2 Meter	
3	107307356	1	HOSE CLIP D10/D12	
4	107120313	1	Schlauchtülle 6/R1/2	
5	107140882	1	O-Ring 15,0 x 3,0	
8	6100718	8	Scheibe 10x16x1	
9	6100719	8	Druckring	
10	6301368	8	Stehbolzen	
11	1800465	8	Mutter M10	
12	1802529	4	Sicherungsring 24	
13	6100666	4	Ring	
14	6301166	4	Keramischer Druckkolben	
15	102602517	4	RUECKHOLFEDER C3	
16	6100610	1	Zylinderblock	
17	101119850	4	Dichtung Set Gleitring	
18	107120701	1	Zylinderkopf C3	
19	6300071	1	Zylinderblock Kompl.	
20	101118175	1	DRAIN PLUG W/MAGNET KIT NA6	
96	1119195	1	Reparatursatz Ein-Auslas	[1]
97	1119571	1	Dichtsatz	[2]
98	1119820	1	Reparatursatz Öldichtung	
99	1119570	1	Dichtsatz	[2]

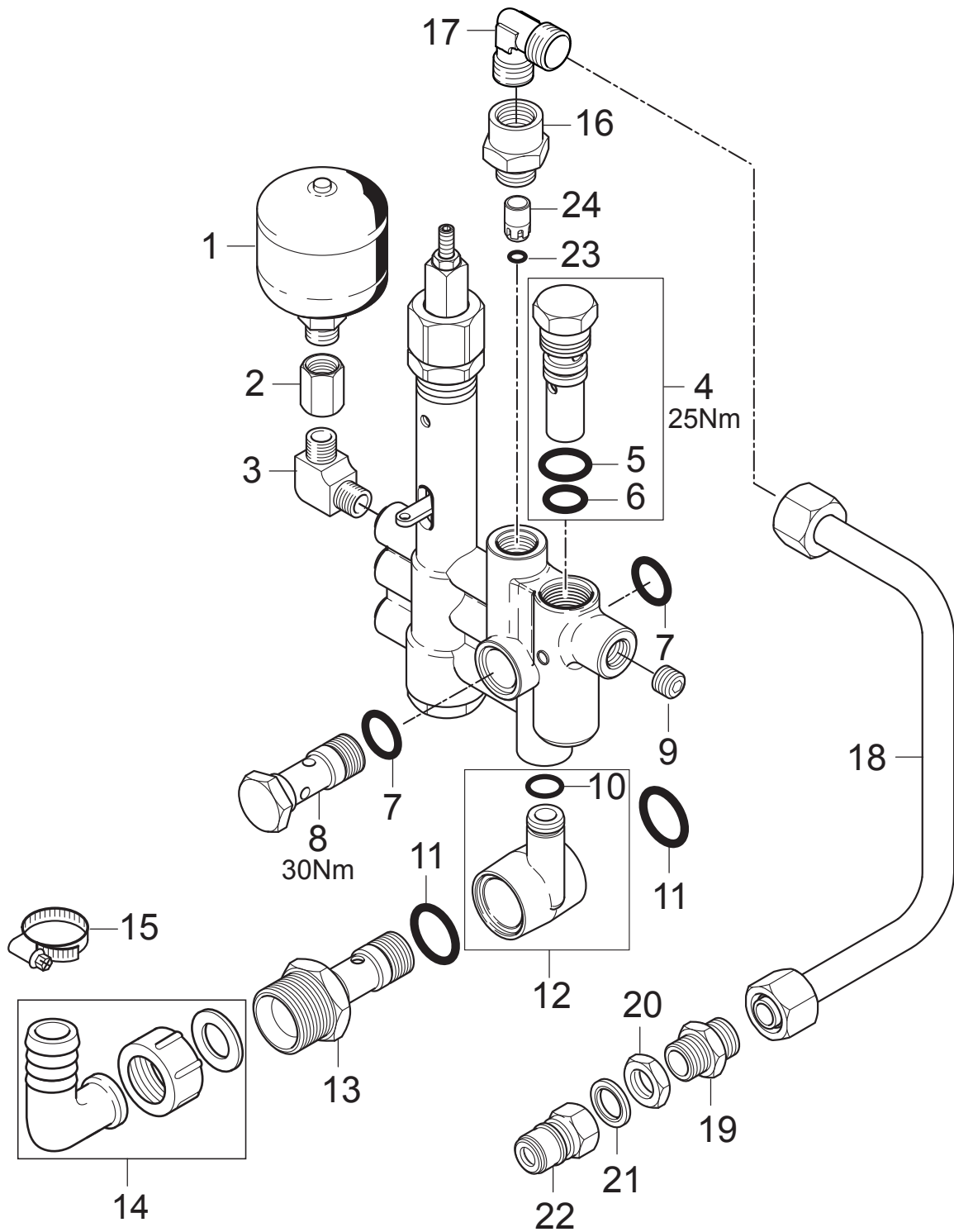
## Part Notes:

- [1] - TSB-PPW-2016-013 SC DUO 7P Valves in pump potential wrong  
DE TSB-PPW-2016-013 SC DUO 7P Pumpenventile möglicherweise falsch
- [2] - TSB-PPW-2016-011 Rep kit 1119571 and 1119570 potential have wrong O-ring in kit

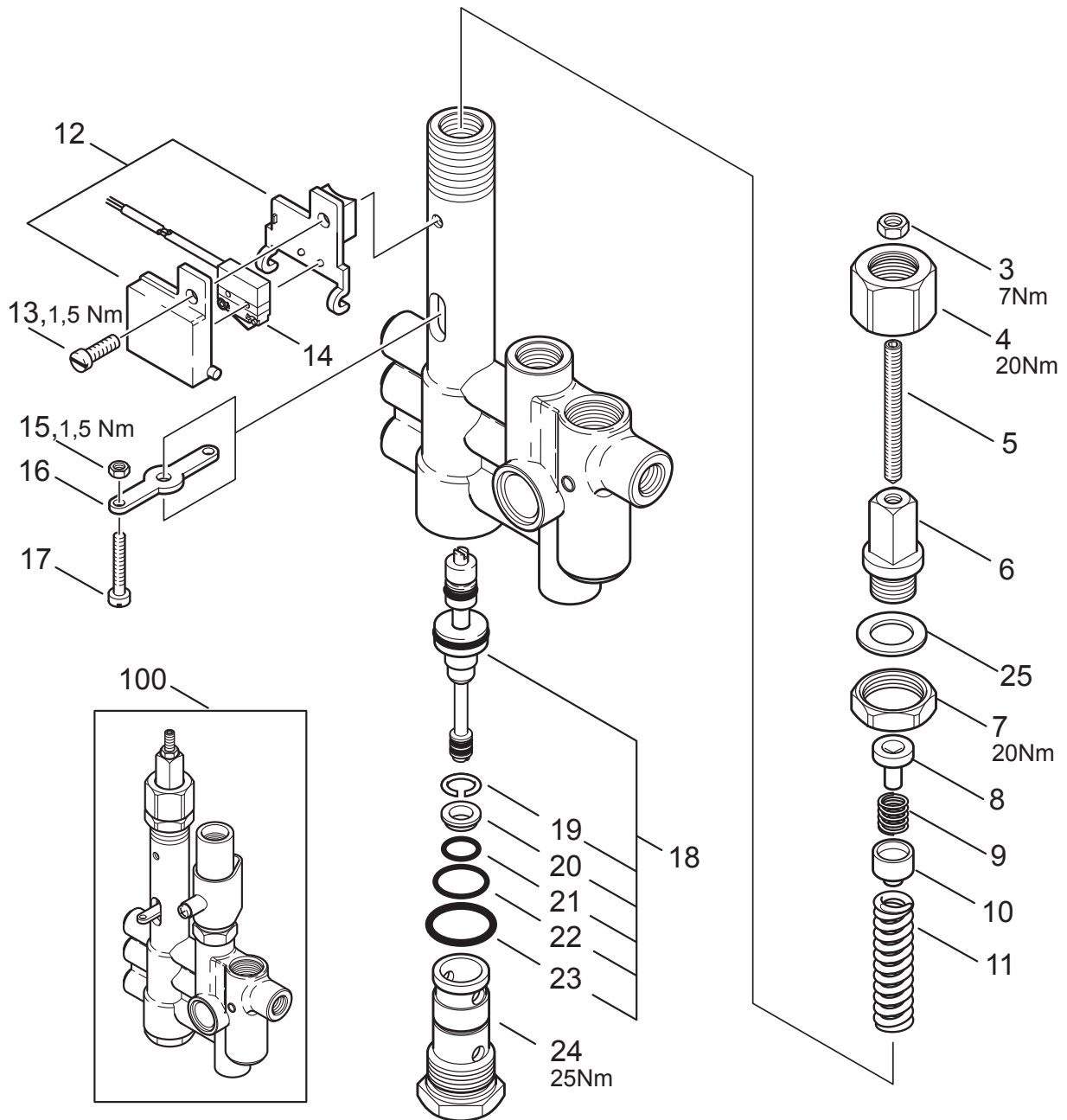


Pos.	Artikel-Nr.	Menge	Variante	Notes
1	63090	1	Hydrospeicher	
2	63136	1	Verbindungsstück	
3	1618	1	Verbindungsstück	
4	301000911	1	Sicherheitsventil	
5	16443	1	O-Ring 17,0 x 2,0 DIN 3770 NBR70	
6	62706	1	O-Ring 13,0 x 2,0 DIN 3770 NBR70	
7	16443	2	O-Ring 17,0 x 2,0 DIN 3770 NBR70	
8	62697	1	Hohlschraube	
9	30993	3	Verschlussschraube	
10	13739	1	O-Ring 10,0 X2,0 DIN	
11	24347	2	O-Ring 21,0 x 2,5 DIN 3770 FPM80	
12	63058	1	Anschlusstück	
13	301001297	1	Anschlusstück	
14	106268101	1	HOSE COUPLING W/UNION NUT AND GASKET	
15	8298	1	Schlauchschele SGL 16-27	
18	107307378	1	PIPE FOR C3 UNO/DUO. COMPLETE	
19	6200484	1	Verschraubung	
20	1803220	1	Mutter M18x1,5 I	
21	1801075	1	Dichtring	
22	1603101	1	Nippel Schnellkupplung	
23	56519	1	O-Ring 6,5 x 3,0 SMS 1586 NBR90	
24	301000905	1	Kolben	
31	16998	1	O-Ring 14x1,5	
32	301001820	1	Hülse d 22x92 SW24 M16x1	
33	301001800	1	Kontaktkolben d13	
34	6231	1	Feder	
35	10028	1	Ejotschraube KA50x14 WN1411 verz	
36	62399	1	Halter	
37	107307298	1	FLOW SENSOR COMPLETE	
38	62706	1	O-Ring 13,0 x 2,0 DIN 3770 NBR70	
39	107307379	1	FITTING FOR FLOW CONTROL	

### PL\_UNO 7P control block

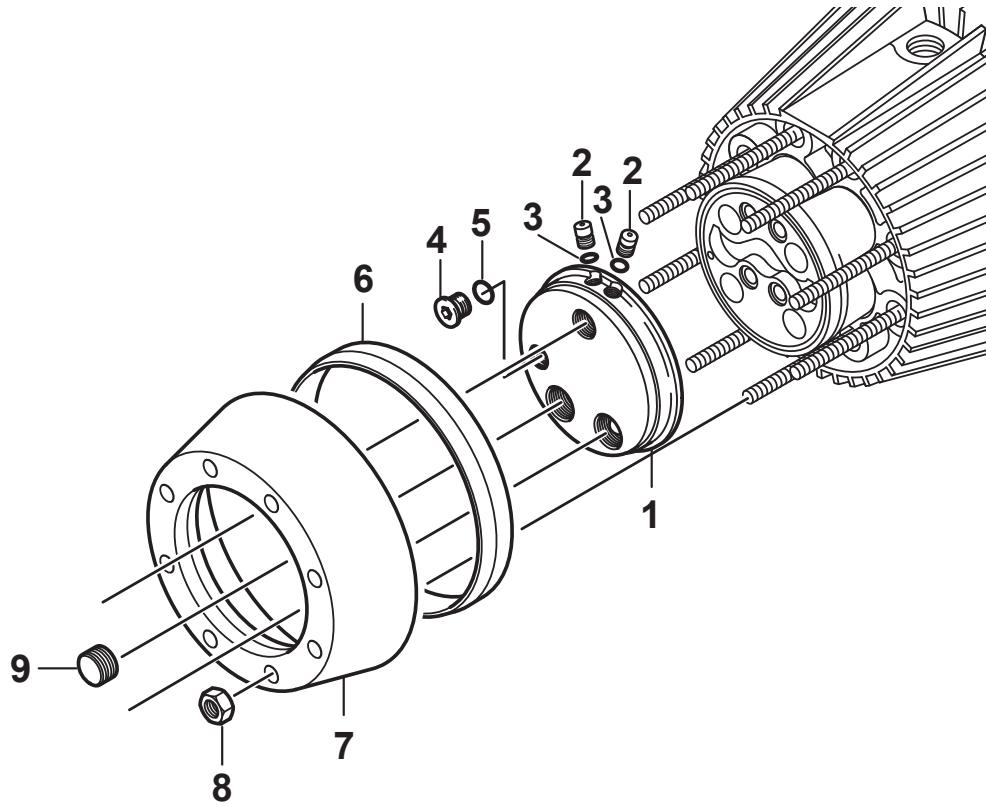


Pos.	Artikel-Nr.	Menge	Variante	Notes
1	63090	1	Hydrospeicher	
2	63136	1	Verbindungsstück	
3	1618	1	Verbindungsstück	
4	301000911	1	Sicherheitsventil	
5	16443	1	O-Ring 17,0 x 2,0 DIN 3770 NBR70	
6	62706	1	O-Ring 13,0 x 2,0 DIN 3770 NBR70	
7	16443	2	O-Ring 17,0 x 2,0 DIN 3770 NBR70	
8	62697	1	Hohlschraube	
9	30993	3	Verschlussschraube	
10	13739	1	O-Ring 10,0 X2,0 DIN	
11	24347	2	O-Ring 21,0 x 2,5 DIN 3770 FPM80	
12	63058	1	Anschlusstück	
13	301001297	1	Anschlusstück	
14	106268101	1	HOSE COUPLING W/UNION NUT AND GASKET	
15	8298	1	Schlauchselle SGL 16-27	
16	107307345	1	FITTING D22X30.6 M16X1 G3/8	
17	1600444	1	Verschr. DIN 2353 G X12L	
18	107307346	1	PIPE FOR C3 UNO. COMPLETE	
19	6200484	1	Verschraubung	
20	1803220	1	Mutter M18x1,5 I	
21	1801075	1	Dichtring	
22	1603101	1	Nippel Schnellkupplung	
23	56519	1	O-Ring 6,5 x 3,0 SMS 1586 NBR90	
24	301000905	1	Kolben	



Pos.	Artikel-Nr.	Menge	Variante	Notes
3	3136	1	Sechskantmutter M6 ISO 4032 zn	
4	62710	1	Überwurfmutter	
5	62711	1	Gewindestift M6x60	
6	62712	1	Hohlschraube	
7	62696	1	Sechskantmutter M24x1,5x	
8	62695	1	Federhalter	
9	62713	1	Feder	
10	62694	1	Federhalter	
11	40972	1	Feder	
12	62401	1	Halter	
13	3349	1	Zylinderschraube M5x16	
14	107307332	1	PRESSURE SWITCH COMPLETE	
14A	107307333	1	CABLE FOR PRESSURE SWITCH	
15	2759	1	Sechskantmutter M4 ISO 4032 -8 zn	
16	62717	1	Hebel	
17	101117739	1	Flachkopfschraube	
18	64314	1	Reparatursatz Steuerkolben	
19	909100001	1	Sprengring 14	
20	62708	1	Ventilsitzring	
21	49461	1	O-Ring 11x1,5	
22	9523	1	O-Ring 17x1,5	
23	32091	1	O-Ring 21x2	
24	64301	1	Hohlschraube	
25	103004451	1	Scheibe	
100	301000903	1	Regelsicherheitsblock	





Pos.	Artikel-Nr.	Menge	Variante	Notes
1	107121500	1	Scheibe 109x22	
2	107121501	2	Stopfen 8x10,5	
3	3000270	2	O-Ring 5,1x1,6	
4	6180660	1	Pfropfen	
5	3001740	1	O-RING 7.66X1.78 NITRIL 70SH	
6	6301392	1	Abstandsring	
7	6100602	1	Spannring	
8	1800465	8	Mutter M10	
9	1603325	1	PLUG 1/2 INCH	

