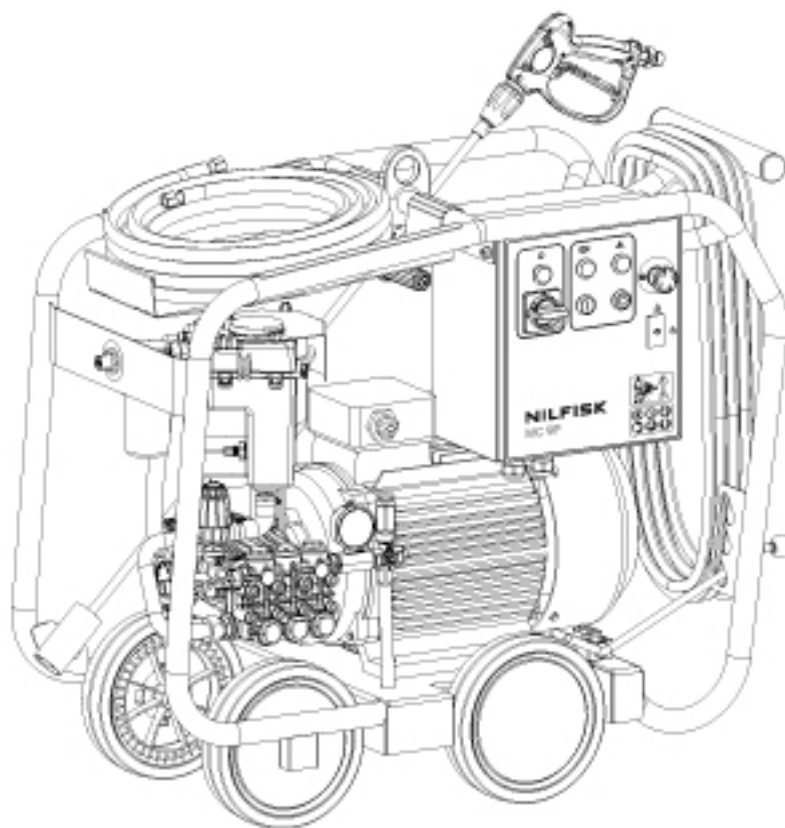


# PARTS LIST

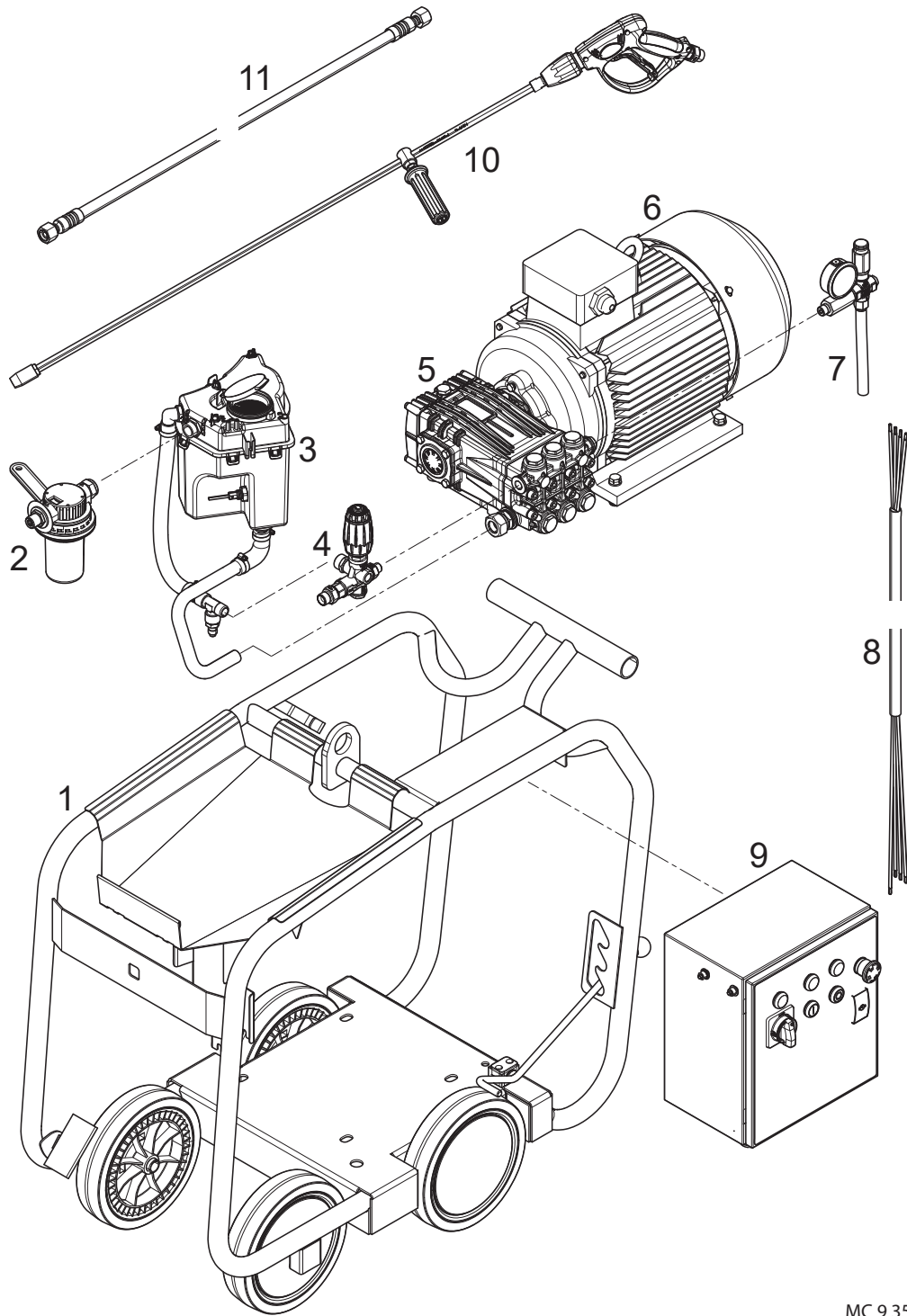


2023.03.08

# TABLE OF CONTENTS

---

Overview .....	1
Frame MC9 .....	3
Water inlet .....	5
Water break tank .....	7
Safety valve MC9 350 .....	9
Unloader Valve assembly .....	11
Pump .....	13
Motor .....	16
EI-box .....	18
Gun 350, lance and nozzle .....	20
MC9-350 Hoses .....	22
MC9-350 Nozzles .....	24
Protective equipment and service tools .....	26

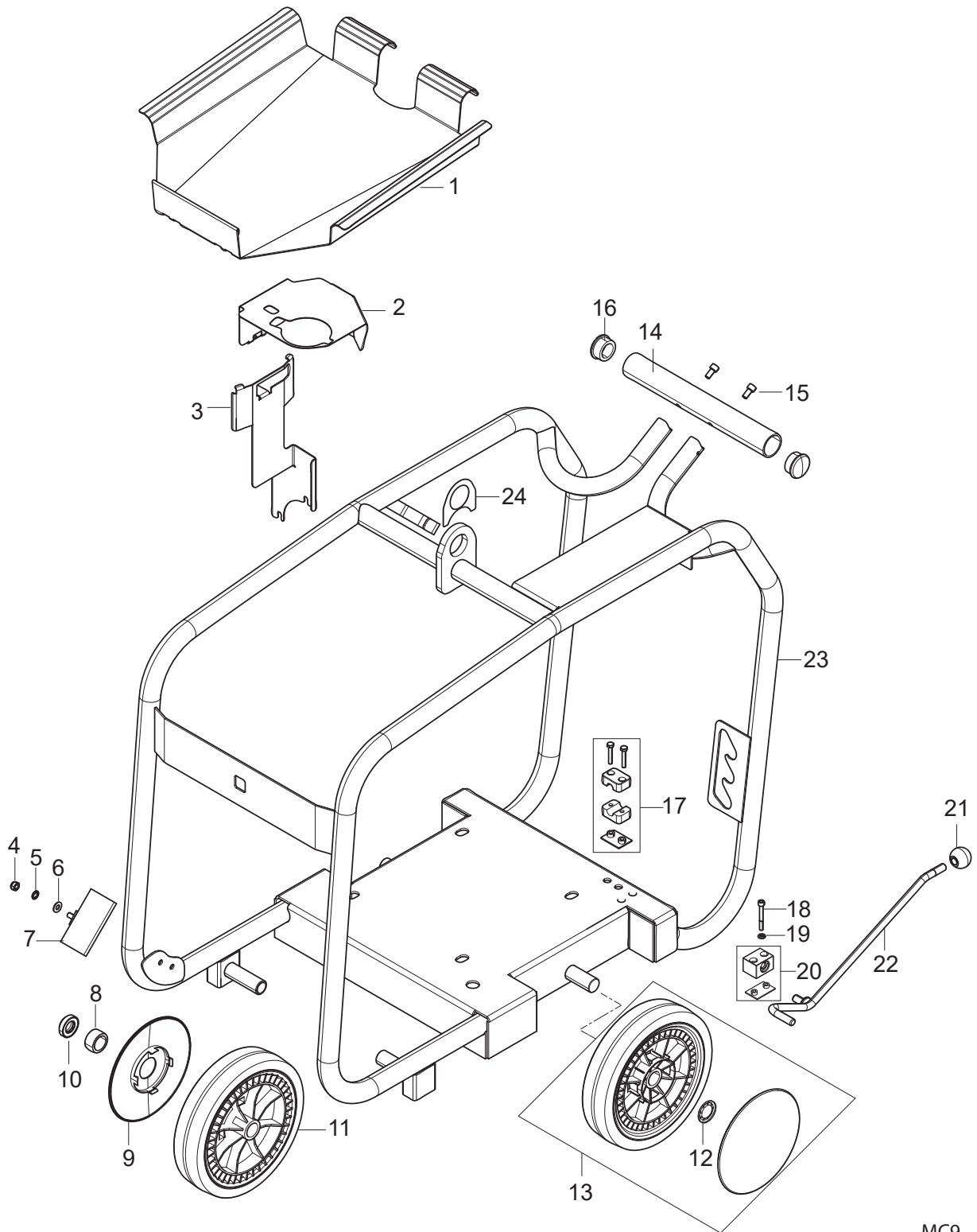


MC 9 350

Pos.	Artikel-Nr.	Menge	Variante	Notes
1		1	Frame	[1]
2		1	Water inlet	[2]
3		1	Water break tank	[3]
4		1	Unloader valve	[4]
5		1	Pump unit	[5]
6		1	Motor assembly	[6]
7		1	Safety valve	[7]
8	101118340	1	POWER CORD H07RN-F 4G6,0MM2Power cord	
9		1	Electric assembly	[8]
10		1	Gun, lance and nozzles	[9]
11	700550097	1	SCHLAUCH 500 BAR 15M	

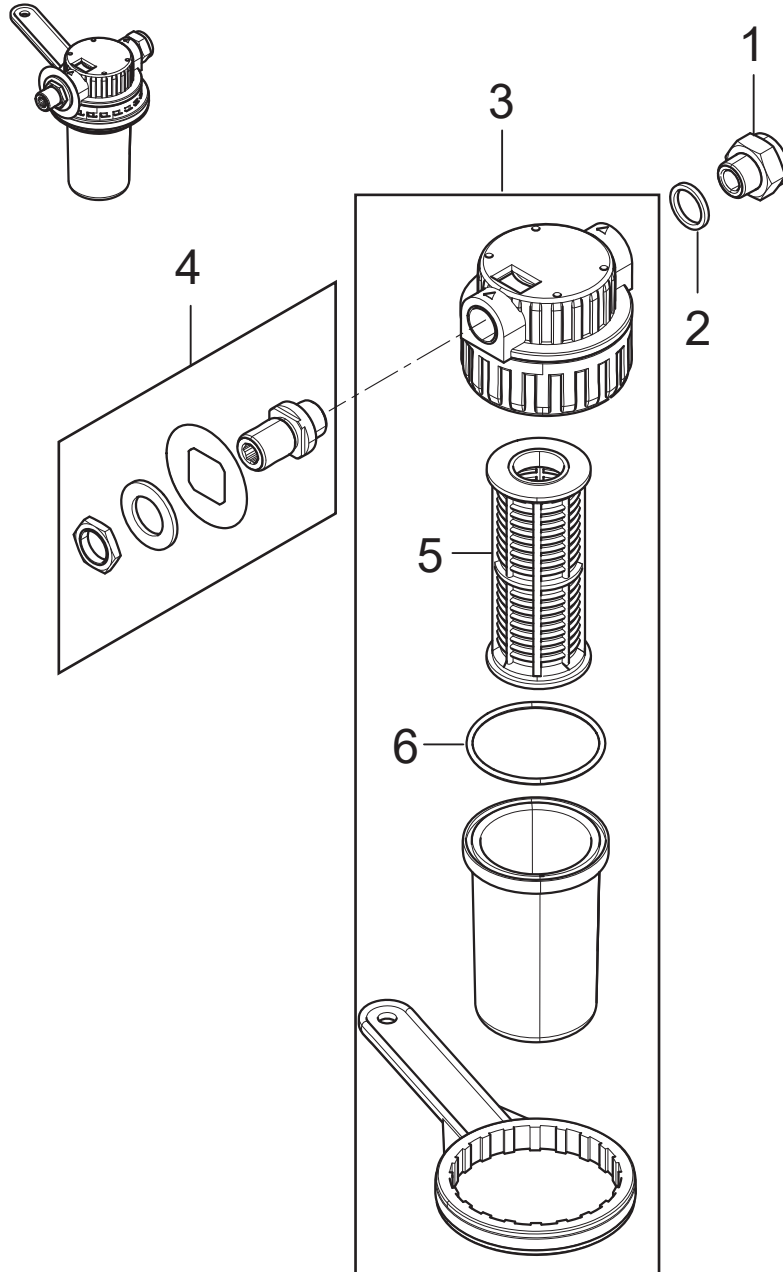
Part Notes:

- [1] - Frame MC9
- [2] - Water inlet
- [3] - Water break tank
- [4] - Unloader Valve assembly
- [5] - Pump
- [6] - Motor
- [7] - Safety valve MC9 350
- [8] - El-box
- [9] - Gun 350, lance and nozzle



MC9

Pos.	Artikel-Nr.	Menge	Variante	Notes
1	101118329	1	HOSE TRAY MC-9P KIT	
2	107148000	1	TOP COVER FOR WATER BREAK TANK	
3	107148001	1	BRACKET FOR WATER BREAK TANK MC9	
4	107148124	2	LOCK NUT M8 ZN	
5	1810274	1	Fächerscheibe 8,2 -J- DIN 6798 VA	
6	1800796	1	Scheibe 8,4	
7	107148002	1	LANCE HOLDER	
8	107148003	2	SPACER FOR WHEEL	
9	107148004	2	WHEEL CAP	
10	2004265	2	Kappe	
11	107143304	2	Rad D250 mit Abdeckung	
12	46363	2	Klemmscheibe	
13	107143304	2	Rad D250 mit Abdeckung	
14	107148005	1	HANDLE BAR MC-9P	
15	8894	2	Schraube M8 x 20 8.8	
16	107148007	2	PLUG ENDCAP D42,4 BLACK PLASTIC	
17	107148008	1	TUBE CLAMP SINGLE F. Ø15mm RAN215X BLACK	
18	1814634	2	Schraube M6 x 50	
19	1813807	2	Scheibe M6	
20	101118331	1	BRAKE HINGE KIT	
21	301002690	1	Kugelknopf PLX.35-M10-C9	
22	107148010	1	BRAKE MC 9	
23	107148012	1	FRAME MC-9	
24	107148009	2	LABEL FOR HOIST PLATE MC - 9	



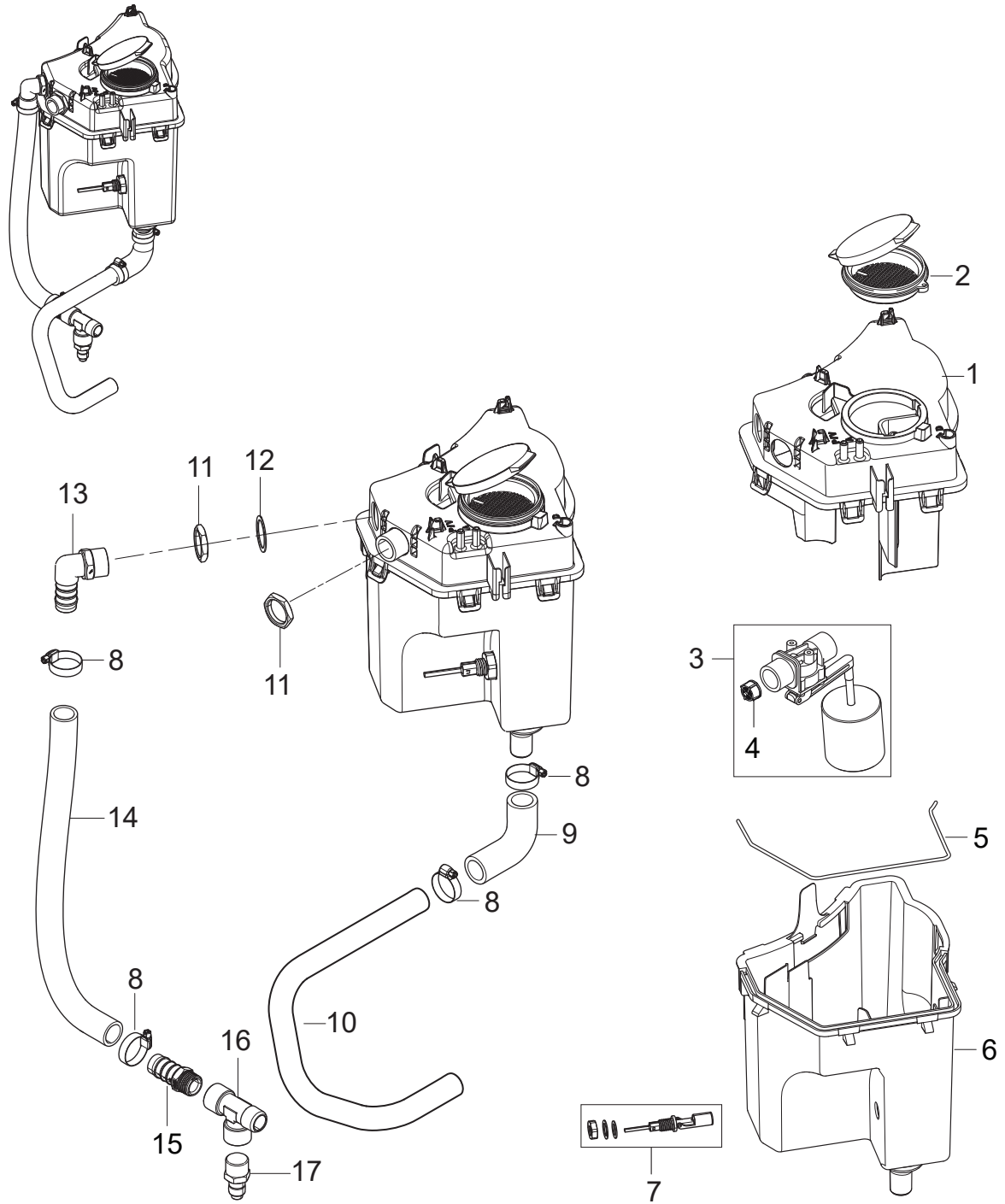
MC9

---

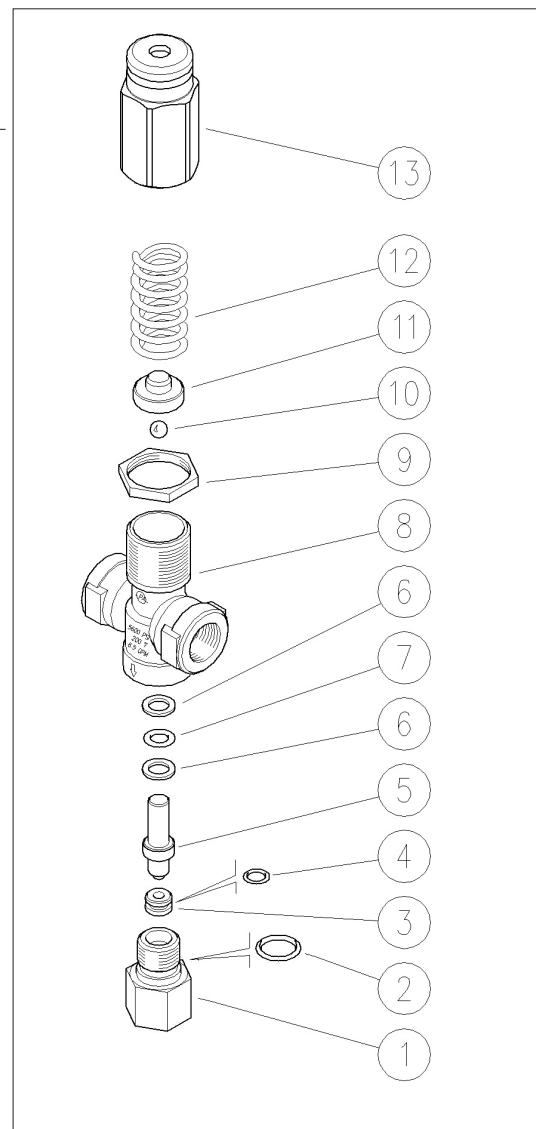
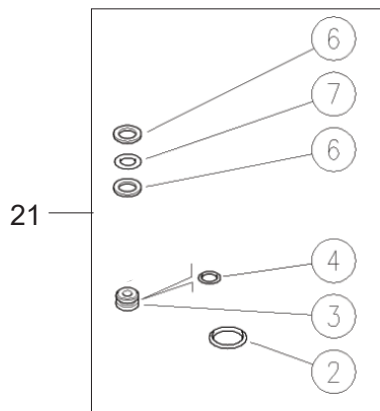
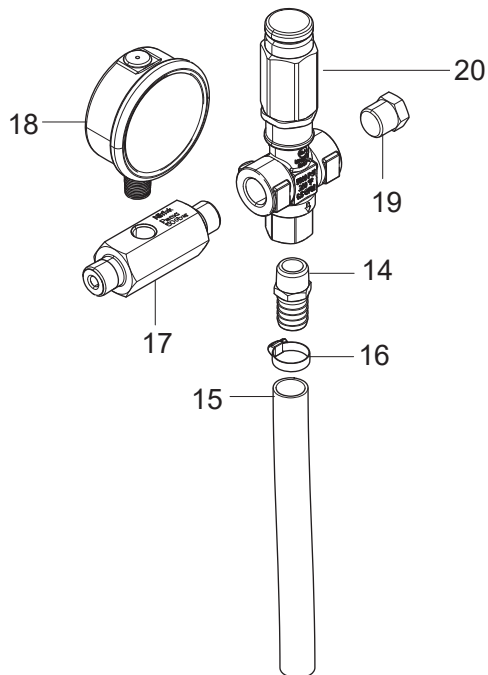
Pos.	Artikel-Nr.	Menge	Variante	Notes
1	107148026	1	REDUCER COUPLING 3/4 F x 1/2 M	
2	3001237	1	Dichtung	
3	107148139	1	FILTER 1/2C W/2 MESH/ MF-C12	
4	101118332	1	INLET FITTING MC 9 KIT	
5		1	700520756	
6		1	Gasket	

---

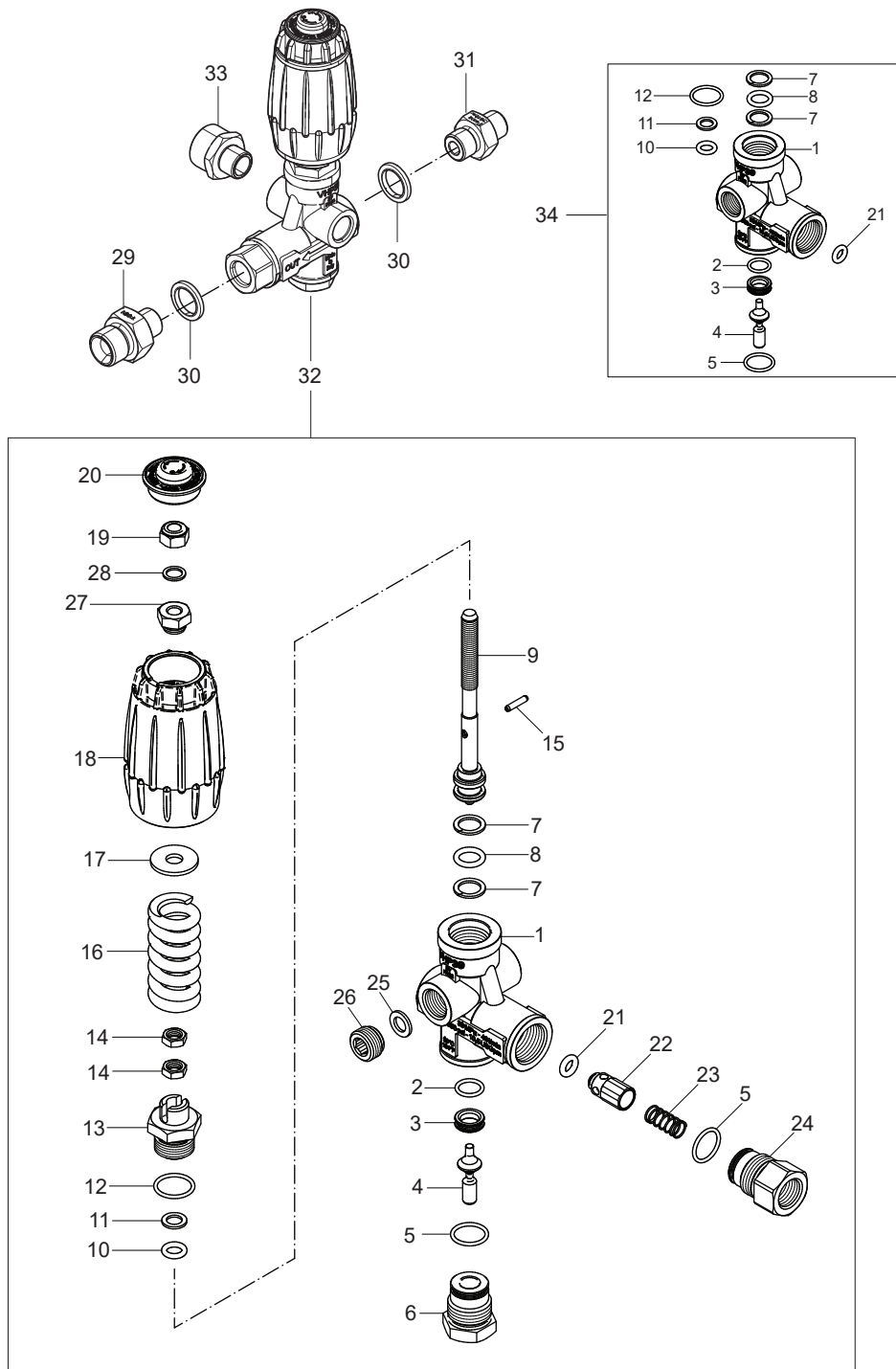




Pos.	Artikel-Nr.	Menge	Variante	Notes
1	107148028	1	LID FOR WATER TANK	
2	301000561	1	Deckel RP-Behälter	
3	101117784	1	Schwimmerventil	
4	34218	1	Filter Ø19 KU	
5	101406054	1	Dichtung	
6	107148029	1	WATER BREAK TANK	
7	107148030	1	LEVEL SENSOR ASSEMBLY	
8	8298	4	Schlauchschelle SGL 16-27	
9	107141670	1	Schlauch	
10	107148031	1	PIPE BENDED MC-9 360BAR	
10	107148036	1	PIPE BENDED MC-9 500bar	
11	1800341	2	Gegenmutter 3/4	
12	107148032	1	WASHER FOR WATER BREAK TANK	
13	107307371	1	HOSESTUD 90DEG PA D19X3/4 A2-29	
14	107143031	1	FUELFLEX HOSE D28/D20 10BAR/20°	
15	107148027	1	HOSETAIL 19X1/2 PA BLUE	
16	107148034	1	BRASS MALE RUN TEE 1/2"BSP	
17	107148035	1	THERMO SENSOR 1/2 INCH 140-158°F	

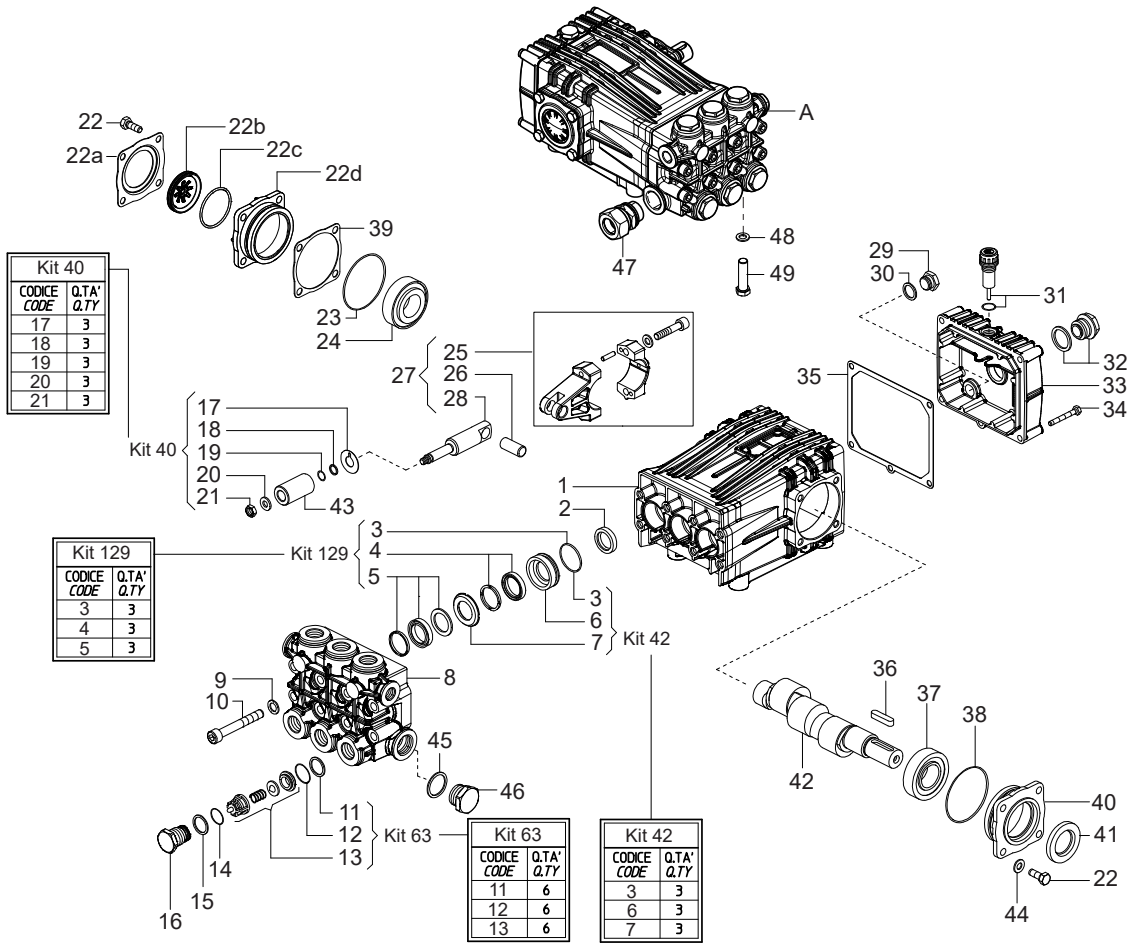


Pos.	Artikel-Nr.	Menge	Variante	Notes
1		1	By-pass fitting 3/8"	
2		1	O-ring	
3		1	Seat SS	
4		1	O-ring	
5	700540452	1	PISTON SAFETY VALVE 350 BAR S	
6		2	Back-up ring	
7		1	O-ring	
8	700540458	1	SAFETY VALVE BODY BRASS	
9	700540454	1	RING NUT M24 BRASS	
10	700540457	1	BALL 1/4" S.S.	
11	700540456	1	GUIDE SPRING BRASS	
12	700540455	1	SPRING SAFETY VALVE 2N	
13	700540453	1	CAP SAFETY VALVE 350 BAR BRASS	
14	107148020	1	HOSE TAIL Ø16X3/8 BRASS101609557	
15	107148048	1	HOSE 5/8C WP 20 BAR W/NETING	
16	107148146	1	HOSE CLIP 5/8C S.S.	
17	107148045	1	ADAPTOR 3/8" BSPT M-M - 1/4" BSPT F	
18	107148046	1	PRESSURE GAUGE MWP 360 BAR	
19	107148047	1	PLUG 3/8	
20	107148148	1	SAFETY VALVE 350 BAR 3/8C	
21	700540578	1	REP. KIT. SAFETY VALVE 350 BAR	



MC9 350

Pos.	Artikel-Nr.	Menge	Variante	Notes
1		1	Body VHP39 G 3/8 F	
2		1	O-ring 1.78X11.11 114 NBR 90 NERO	
3		1	Seat VHP39	
4		1	Shutter rod VHP39	
5		2	O-ring 1.78X15.6 2062 NBR 90 NERO	
6		1	Shutter fitting VHP39	
7		2	A.A.11,50x15,9x1,20 TBT 000125B	
8		1	O-ring 2.62X10.78 3043 NBR 90 NERO	
9		1	Stem VHP39	
10		1	O-ring 2.62X7.6 3030 NBR 70 NERO	
11		1	A.A.8X12,6X1,2 MV 0316 05	
12		1	O-ring 1.78X17.17 2068 NBR 90 NERO	
13		1	Fitting VRT3 MV 0316 06	
14		2	Nut VRT-VHP M 8 x 4 OTT.	
15		1	Elastic pin UNI ISO 28748 - 3X14	
16		1	Spring 5,7X20,7X56 31MPA NERA	
17		1	Washer D. 8,5x24,0x2,0 Z.B.	
18		1	Knob VHP39 - red	
19		1	DADO AUTOBLOC.BASSO M8x8 Z.B.	
20		1	Knob cover 39 MPA	
21		1	O-ring 3.0X6.0 NBR 90 NERO	
22		1	Shutter VRT3	
23		1	Shutter spring VRT3 MV 0316 08A	
24		1	Retainer fitting G3/8 F	
25		1	Washer 8,3X14,0X1,5 RAME	
26		1	Plug E.I. G3/8 cylindrical brass	
27		1	Knob insert VRT3	
28		1	Washer 8,2X11,4X1,0 RAME	
29	107148039	1	"NIPPLE HOSE 60° 1/2" - 3/8" BSPP-M"	
30	107148152	2	DOWTY SEAL 3/8C 80SH	
31	107148040	1	FITTING 3/8M-BSPP - 3/8M-BSPT	
32	107148041	1	UNLOADER VALVE VHP39	
33	107148042	1	REDUCER COUPLING 3/8M - 1/2F	
34	106408381	1	REPAIR KIT F UNLOADER VALVE E350	



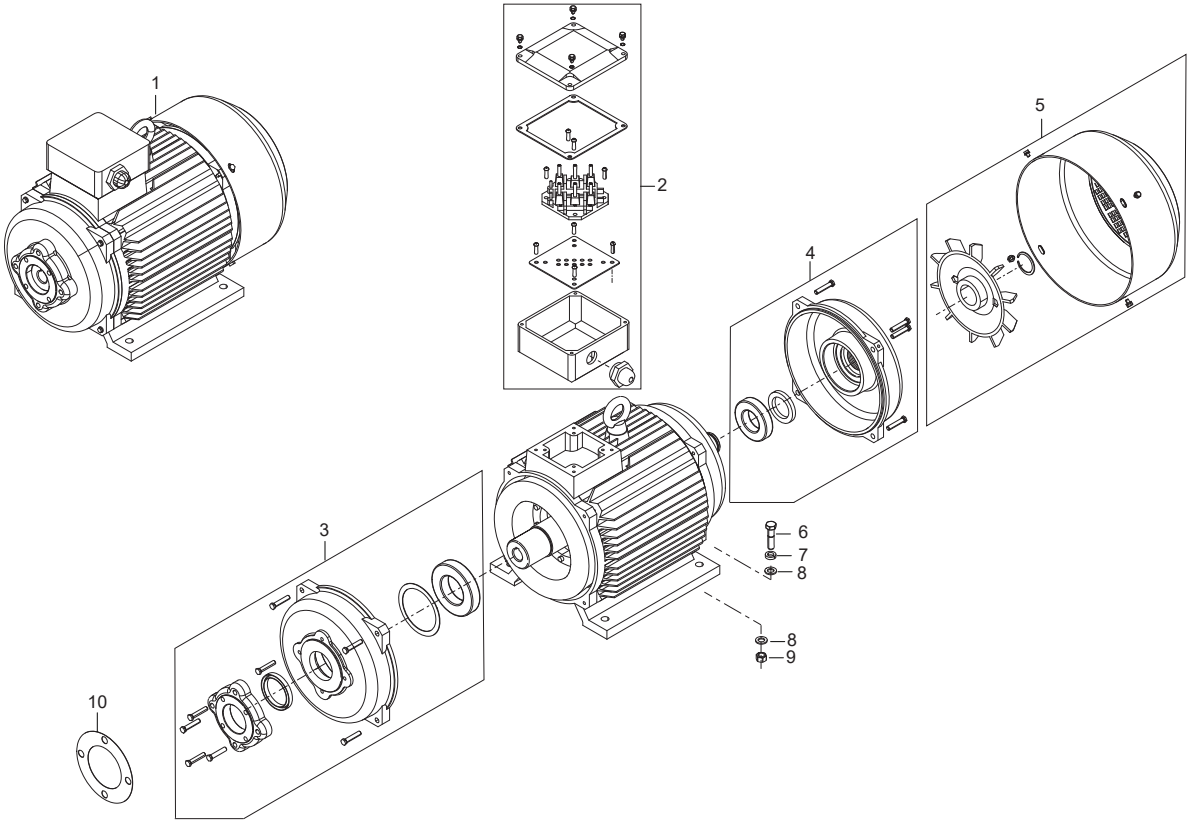
MC 9P 350

Pos.	Artikel-Nr.	Menge	Variante	Notes
A	107148123	1	PLUNGER PUMP 350BAR 50HZ	
A	107148096	1	PLUNGER PUMP 350BAR 60HZ	
1	700505287	1	CRANKCASE "C/CK/CH"	
2	700505289	3	OIL SEAL D20	
3	700505004	3	O-RING D34,65	
4	106408308	3	LOW PRESS. SEAL KIT D20	
5	106408307	3	HIGH PRESS SEAL KIT D20 G GK M MK	
6	700505006	3	PRESSURE RING D20 "CK" 350BAR	
7	700505010	3	UPPER RING D20 "CK" 350BAR	
8	700505301	1	HEAD "CK" D18/20	
9	700505022	8	SCHNORR WASHER D10	
10	700505302	8	ALLEN SCREW M10X75 UNI5931	
11	106408347	3	RING GK PENTA 400BAR	
12	700505305	3	O-RING D13,94 90SHORE	
13	106408348	6	VALVE ASSY GK 400BAR W T O RING	
14	700505305	12	O-RING D13,94 90SHORE	
15	700505304	6	RING "CK" D15,2	
16	700505303	6	VALVE PLUG "CK" PISTON D20	
17	700505036	3	DISC "M/MK/MWT/GK" D18/20	
18	700505032	3	RING D8,3ANTI EXTRUDE RING	
19	700505030	3	O-RING D7,66O-RING	
20	106408294	3	WASHER D8.5	
21	700505026	3	NUT "PN/PK/B/BK" INOX	
22	106408278	4	HEX SCREW M8X22 UNI5739	
22a	106408276	1	METAL COVER C CK CH CX INOX	
22b	106408271	1	COVER B BK C CK	
22c	106408274	1	O RING D44.12	
22d	700505056	1	BEARING HOLLOW FLANGE "G/GK/GW/GS"	
23	700505044	1	O-RING D67,95	
24	106408272	1	ROLLER BEARING D30	
25	700505040	3	ROD ASSY "C/CK/CH"	
26	700505039	3	PIN D14X32	
27	106408321	3	COMPLETE ROD ASSY CK D20	
28	700505306	3	PLUNGER GUIDE D20 "C/CK"	
29	700160302	1	PLUG G3/8	
30	700060509	1	GASKET D17	
31	700505046	1	OIL PLUG G3/8 "G/GK/GH"	
32	700505052	1	OIL PLUG G3/4+GASKET	
33	700505288	1	BACK COVER "C/CK"	
34	700505049	4	HEX SCREW M6X45 UNI5737	
35	700505047	1	BACK COVER GASKET "G/GK/GX/GH"	
36	700505054	1	KEY A8X7X35 UNI6604	
37	106408272	1	ROLLER BEARING D30	
38	700505044	1	O-RING D67,95	
39	700505055	1	SHIM MM.0,1 "G/GK/GH/GW/GS"	
39	106408330	1	SHIM MM.0.2 G GK GH GW GS	
39	106408331	1	SHIM MM.0.05 G GK GH GW GS	
40	700505056	1	BEARING HOLLOW FLANGE "G/GK/GW/GS"	
41	700505057	1	OIL SEAL D30	
42	700505053	1	MALE SHAFT "C/CK" D24	
42	106408280	1	MALE SHAFT C CK D24	
43	700505034	3	CERAMIC PLUNGER D20 "M/MK/MWT/MS/GK"	
44	106408314	4	WASHER D8.4	
45	106408333	1	GASKET D27	
46	106408334	1	PLUG G3/4	
47	107148093	1	FITTING M W. SEAL 22x3/4 BSPP	
48	1801182	4	Federring 8,1	
49	107143597	4	SCREW M8X40	
KIT 40	700505091	1	PLUNGER KIT D20 "GK" 350BAR (KIT 40)	



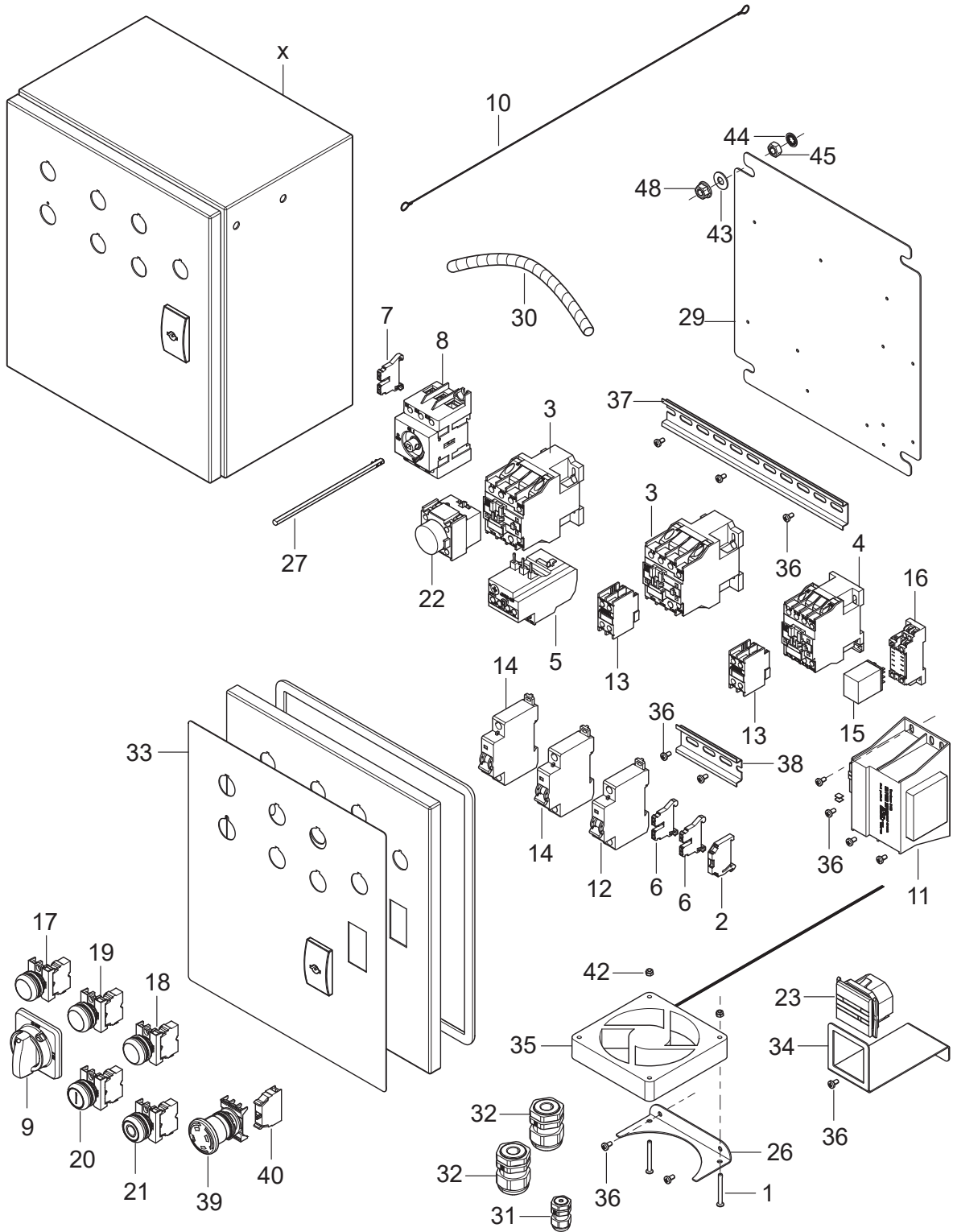
---

Pos.	Artikel-Nr.	Menge	Variante	Notes
KIT 42	700505087	1	KIT RETENES AGUA	
KIT 63	700505214	1	VALVE KIT "GK" 400BAR (KIT 63)	
KIT 129	700505089	1	KIT RETENES MERLION 350	

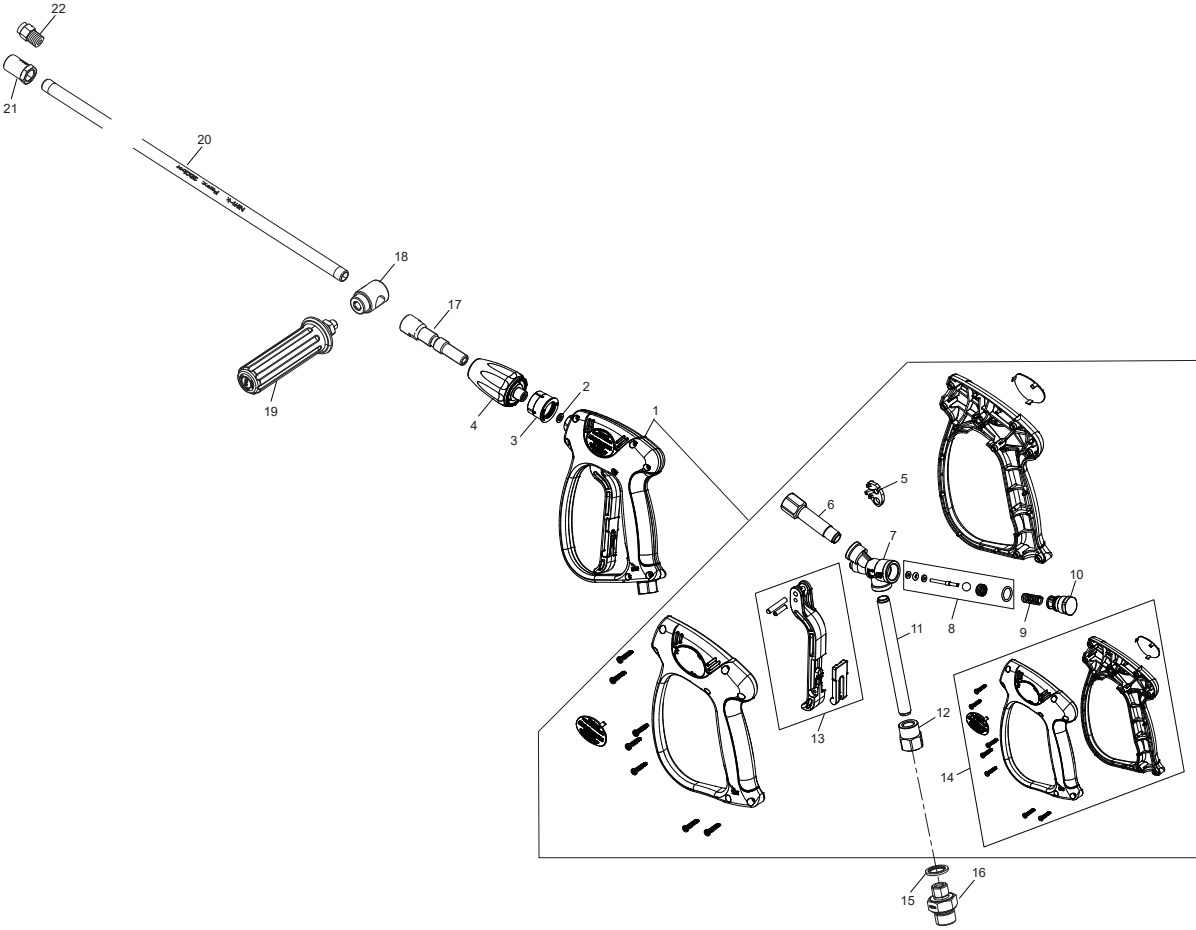


---

Pos.	Artikel-Nr.	Menge	Variante	Notes
1	107148097	1	MOTOR Y2-160L-4 18KW 50/60Hz	
2	106408369	1	CONNECTION BOX MC9P	
3	106408370	1	D-BEARING COVER MC9P	
4	106408371	1	N-BEARING COVER MC9P	
5	106408372	1	FAN AND COVER MC9P	
6	107148095	4	SCREW M12X45 DIN EN24017/DIN933-8.8	
7	107148094	4	WASHER Ø13X25X3 MM DIN1441 A2K ZINC PLAT	
8	107141727	4	Beilagscheibe D13	
9	107148129	4	LOCK NUT M12 ZN	
10	107148144	1	GASKET PUMP M2	



Pos.	Artikel-Nr.	Menge	Variante	Notes
1	107318083	2	SCREW M4X35 DIN965-A 4X	
2	103821922	1	Abschlussplatte	
3	107148154	2	CONTACTOR CJX2-D32 24V 690V (3P+NO)	
4	107148155	1	CONTACTOR CJX2-D12 24V 690V (3P+NO)	
5	103822328	1	Thermorelais 17-25A	
6	107148063	2	TERMINAL BLOCK WAGO:870-901 1,5MM2	
7	107148064	1	TERMINAL BLOCK PE WAGO:870-907 1,5MM2	
8	107307446	1	MAIN SWITCH 125A 3-POLET	
9	107307406	1	HANDLE PADLOCKABLE	
10	107148083	1	STEEL WIRE FOR E-BOX COVER	
11	107148065	1	CONTROLTRANSFORMER 230/400/440-24V 100V	
12	107148066	1	CIRCUIT BREAKER DZ50-63 1P C5 Amp	
13	107148067	2	AUXILIARY CONTACT NO/NC CJX2 F4-11	
14	107148068	2	CIRCUIT BREAKER DZ50-63 1P C2 AMP	
15	107148069	1	RELAY 24VAC MY2	
16	107148070	1	RELAY SOCKET PYF08A-E (MY2)	
17	101118334	1	SIGNAL LIGHT WHITE KIT	
18	101118335	1	SIGNAL LIGHT YELLOW KIT	
19	101118336	1	SIGNAL LIGHT GREEN KIT	
20	101118337	1	PUSHBUTTON NO GREEN KIT	
21	101118338	1	PUSHBUTTON NC RED KIT	
22	107148071	1	TIMERDELAY LA2-DT2	
23	107148072	1	HOUR COUNTER 10-80V AC/DC 50Hz	
23	107148073	1	HOUR COUNTER 10-80V AC/DC 60Hz	
26	107148074	1	BRACKET FOR FAN	
27	107148075	1	EXTENSION SHAFT FOR MAIN SWITCH	
29	107148076	1	EL. MOUNTING PLATE MC-9	
30	107148077	1	SPIRAL WRAPPING D8mm PE NATURAL	
31	107148078	1	CABLE GLAND PG9	
32	107148079	2	CABLE GLAND PG21	
33	107148080	1	LABEL FOR MC-9 NILFISK	
34	107148081	1	BRACKET FOR HOUR COUNTER - TALL	
35	107307410	1	BOARD FAN	
36	107148082	13	TAP TITE M4X8 DIN 7985 FZB TORX	
37		1	DIN rail L=270	
38		1	DIN rail L=125	
39	1466683000	1	Sicherheitsschalter	
40	146 1728 000	1	Kontakt	
42	1800127	2	Gegenmutter	
43	1800796	4	Scheibe 8,4	
44	1810274	2	Fächerscheibe 8,2 -J- DIN 6798 VA	
45	2758	2	Sechskantmutter M8 DIN 934 zn	
47	3817558	1	TERM. STRIP EARTH WKN35 SL/U	
48	61467	4	Sechskantmutter M8 TENS	



Pos.	Artikel-Nr.	Menge	Variante	Notes
0	106404651	1	VHP SPRAYGUN 350BAR W/QUICK CONNECT ACC	
1	106408386	1	SPRAY GUN G3/8F	
2+3	106408387	1	WASHER KIT	
4		1		
8	106408383	1	REPAIR KIT GASKETS ML955	
13	106408384	1	REP. KIT TRIGGER ML955 SAFETY LOCKER RED	
14	106408385	1	REPAIR KIT ML955 SCREW SHELLS	
15	107148152	1	DOWTY SEAL 3/8C 80SH	
16	107148039	1	"NIPPLE HOSE 60° 1/2" - 3/8" BSPP-M"	
17	107148105	1	NIPPLE AR4/TECOMEC FOR QUICK COUPLING	
18	107148106	1	ADAPTOR	
19	700550073	1	SIDE HANDLE	
20	107148107	1	LANCE PIPE 360 BAR	
21	107148108	1	BUSHING 1/4"BSP FOR LANCE/NOZZLE	
22	700550056	1	NOZZLE 1505 1/4C BSPT S.S.	
22	700550015	1	NOZZLE 15045 1/4C BSPT S.S.	
	106404652	1	STRAHLROHR 350 BAR SCHNELLSCHLUSSKUPPLUN	

VHP Hose (500 bar)



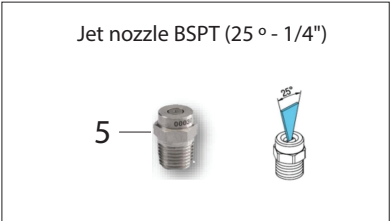
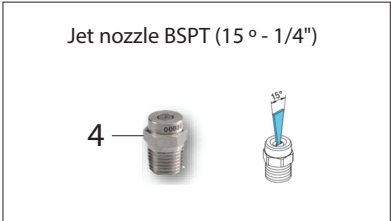
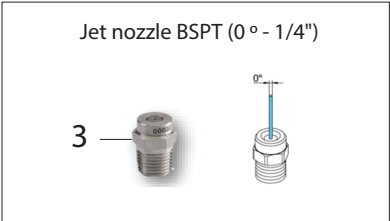
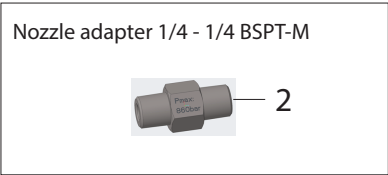
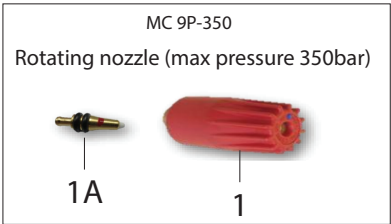
Hose connector 1/2





---

<b>Pos.</b>	<b>Artikel-Nr.</b>	<b>Menge</b>	<b>Variante</b>	<b>Notes</b>
1	700550904	1	VHP HOSE 500BAR 50M ACCESSORY	
1	700550099	1	VHP HOSE 500BAR 30M ACCESSORY	
2	106404745	1	SCHLAUCHANSCHLUSS 1/2"	



Pos.	Artikel-Nr.	Menge	Variante	Notes
1	700551119	1	ROTIERENDE DÜSE 0005 1/4" BSPP 350 BAR	[1]
1	700551503	1	ROTATING NOZZLE 00045 1/4 BSPP F 350BAR	[2]
2	106403213	1	DÜSENADAPTER 1/4" 1/4" BSPT M	
3	700550019	1	NOZZLE 00045 1/4C BSPT S.S.	[3]
3	700550054	1	NOZZLE 00055 1/4C BSPT S.S.	
3	700550055	1	NOZZLE 0006 1/4" BSPT S.S.	
3	700551299	1	NOZZLE 00065 1/4" BSPT S.S.	
3	700550093	1	NOZZLE 0007 1/4" BSPT S.S.	
3	700550142	1	NOZZLE 00075 1/4" BSPT S.S.	
3	700550094	1	NOZZLE 0008 1/4" BSPT S.S.	
3	700550143	1	NOZZLE 0009 1/4" BSPT S.S.	
3	700550147	1	NOZZLE 0010 1/4" BSPT S.S.	
3	700550148	1	NOZZLE 0011 1/4" BSPT S.S.	
4	700550057	1	NOZZLE 15055 1/4C BSPT S.S.	
4	700550058	1	NOZZLE 1506 1/4" BSPT S.S.	
4	700550835	1	NOZZLE 15065 1/4" BSPT S.S.	
4	700550095	1	NOZZLE 1507 1/4" BSPT S.S.	
4	700550144	1	NOZZLE 15075 1/4" BSPT S.S.	
4	700550096	1	NOZZLE 1508 1/4" BSPT S.S.	
4	700550145	1	NOZZLE 1509 1/4" BSPT S.S.	[3]
4	700550149	1	NOZZLE 1510 1/4" BSPT S.S.	
4	700550150	1	NOZZLE 1511 1/4" BSPT S.S.	
5	700550391	1	NOZZLE 25045 1/4" BSPT S.S.	
5	700550567	1	NOZZLE 2505 1/4" BSPT S.S.	
5	700550158	1	NOZZLE 25055 1/4" BSPT S.S.	

## Part Notes:

- [1] - MC 9P-350/1260 400/3/50  
 [2] - MC 9P-350/1260 440/3/60  
 [3] - Only for MC 9P-350/1260 440/3/60


**TST Jacket**



Size	
S/M	1A
L/XL	1B
2XL/3XL	1C

1

**TST Trousers**

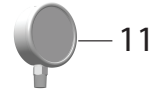


Size	
S/M	2A
L/XL	2B
2XL/3XL	2C

2



10



11

**Hose protect**



Hose Protection

3

**S. Gear apron 2000bar**



4

**Safety balaclava**




5

**Safety helmet**



6

**Safety goggles**



7

**Hand protection**



8

**Gaiters 2000bar**



9

Pos.	Artikel-Nr.	Menge	Variante	Notes
1			TST Jacket w/hand prot. 2000Bar	
1A	106404561	1	TST JACKET W/ HAND PROT. 2000BAR S/M	
1B	106404562	1	TST JACKE MIT HANDSCHUTZ 2000 BAR L/XL	
1C	106404563	1	TST JACKE MIT HANDSCHUTZ 2000 BAR 2XL/3X	
2			TST Trousers 2000Bar	
2A	106404564	1	TST TROUSERS 2000BAR S/M	
2B	106404565	1	TST HOSE 2000 BAR L/XL	
2C	106404566	1	TST HOSE 2000 BAR 2XL/3XL	
3	700799107	1	PSA SICHERHEITSSCHLAUCH Ø 36X1400MM	
3	700799097	1	PSA SICHERHEITSSCHLAUCH Ø 36X750MM	
4	700799071	1	VHP PPE S.GEAR APRON STANDARD 2000BAR	
5	700799082	1	VHP PPE SAFETY BALACLAVA	
6	700799091	1	PSA SICHERHEITSCHELM MIT GEHÖRSCHUTZ UND	
7	700799093	1	VHP PPE SAFETY GOGGLES	
8	106404736	1	VHP PPE HAND PROTECTION SET 2000BAR	
9	700799024	1	VHP PPE GAITERS 2000 BAR	
10	101221057	1	SERVICE TOOL MC9 CK/NIL-K.2	
10	101221058	1	SERVICE TOOL MC9-10 NIL-H/CH NIL-A	
10	101221059	1	SERVICE TOOL MC10 NIL-Y/VY	
11	101221060	1	CALIBRATED MC10 800-1100 PRESSURE GAUGE	
11	101221061	1	CALIBRATED MC9-10 350-500 PRESSURE GAUGE	

