



07351-5758060

kontakt@nilfisk-alto-shop.com



Preisabfrage bzw. Bestellungen der Artikel im Shop unter

www.nilfisk-alto-shop.com

einfach die Artikelnummer in die Suchmaske eingeben

(Bitte die Artikelnummer ohne Leerzeichen eingeben)

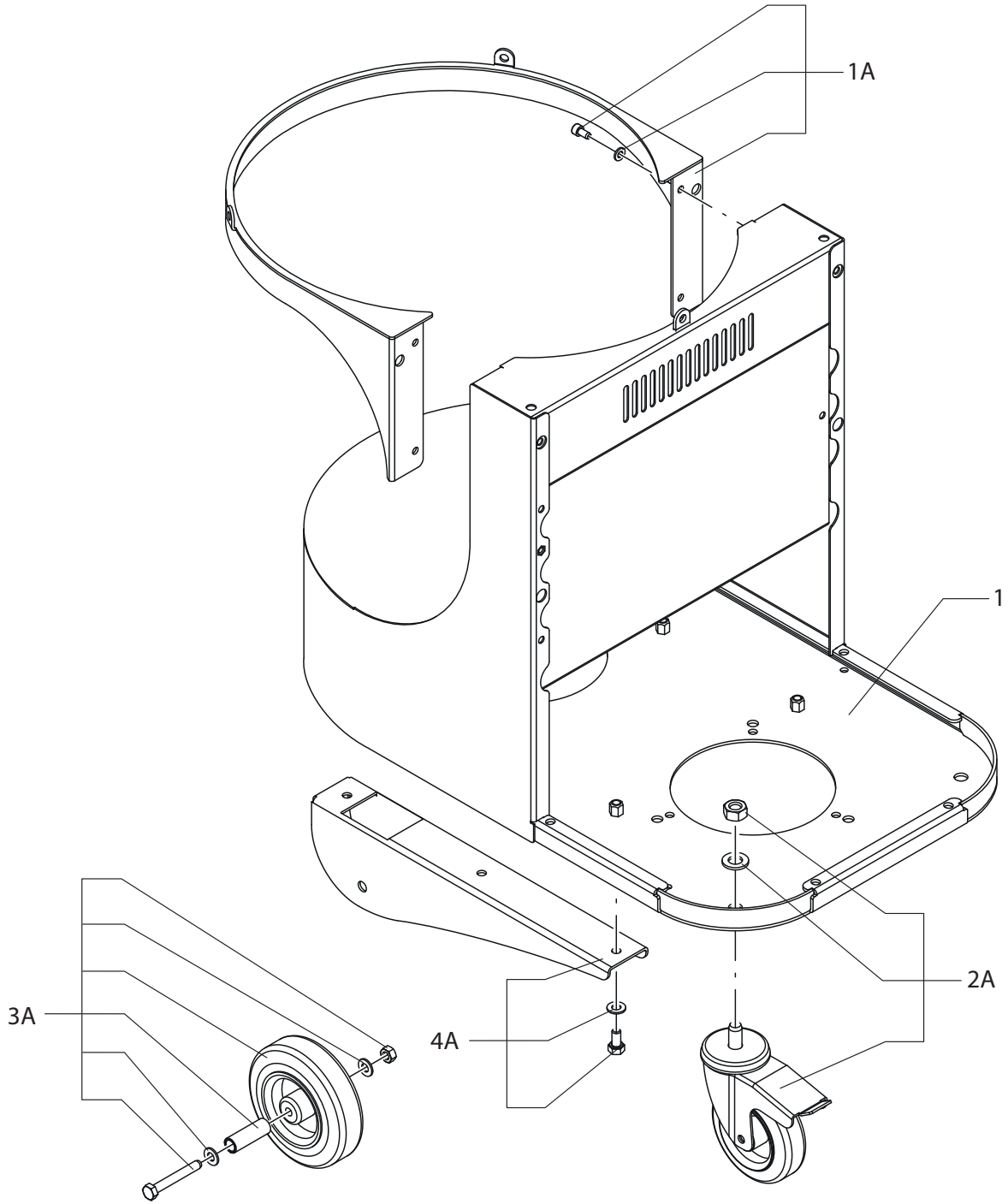
PARTS LIST



2020.07.17

TABLE OF CONTENTS

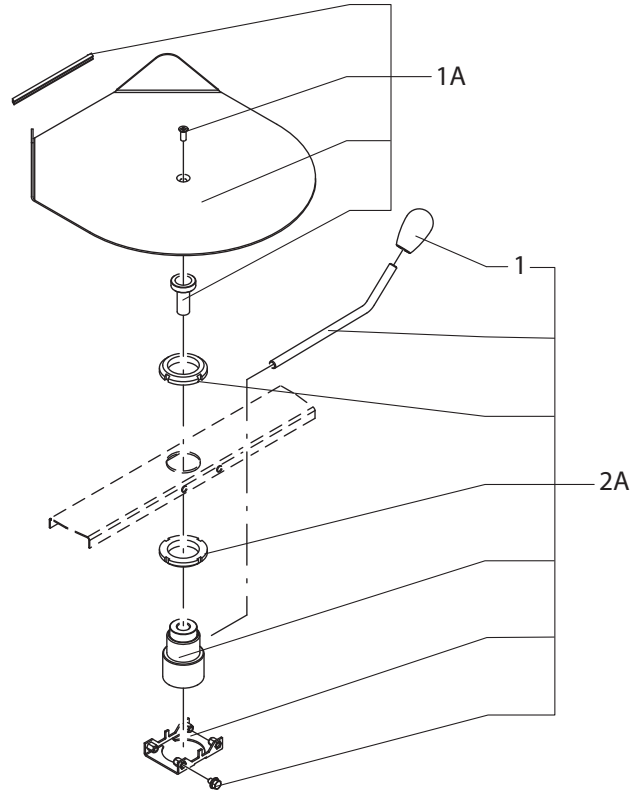
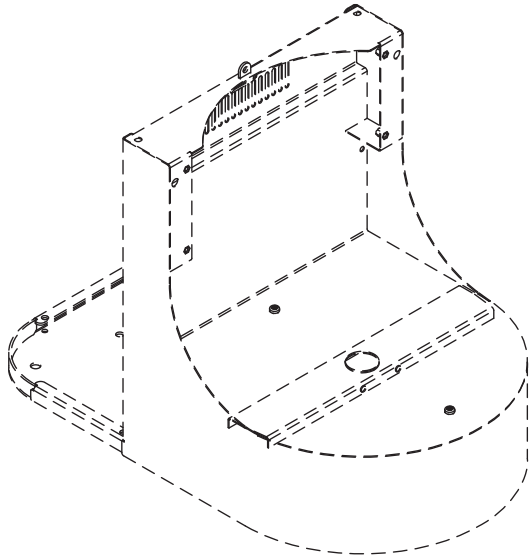
L199 - 1 - CAR	1
L199 - 2 - CAR	3
L199 - 3 - CAR	5
L199 - 4 - CONTAINER UNIT	7
L199 - 5 - FILTER GROUP	9
L199 - 6 - BACKWASH GROUP	11
L199 - 7 - FILTER GROUP	13
L199 - 8 - SHAKER UNIT	15
L199 - 9 - SUCTION UNIT	17
L199 - 10 - ELECTRIC SYSTEM	19
L199 - 11 - L/M/H & ATEX LABEL	21



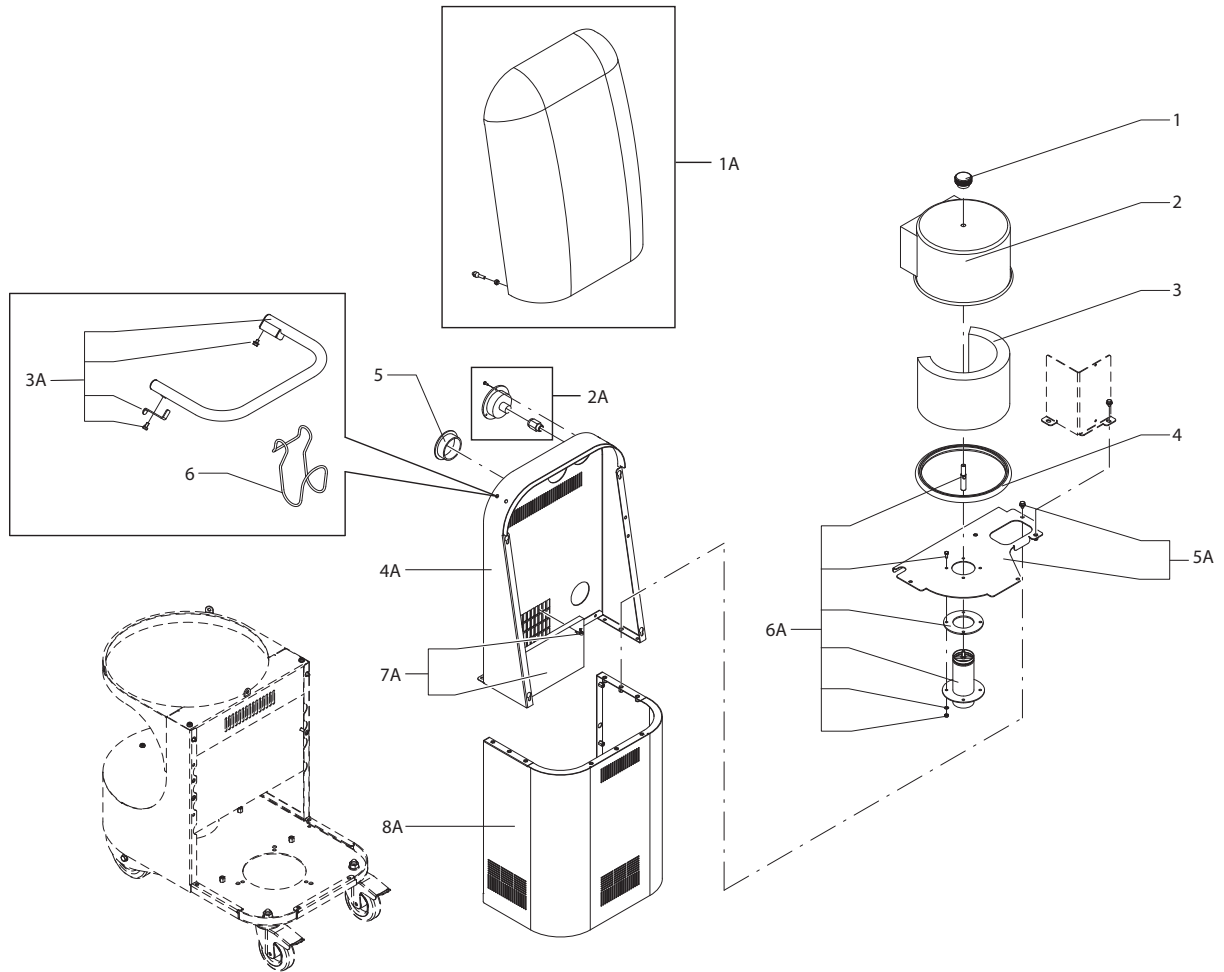
Pos.	Artikel-Nr.	Menge	Variante	Notes
1	4083600759	1	MODULAR BASE HORIZONTAL R9003 MOD.VHW	[1]
1	4083600760	1	MODULAR BASE HORIZONTAL SS MOD.VHW	[1]
1A	4089100473	1	BAND FOR THE FILTER CHAMBER KIT VHW420	[1]
1A	4089100474	1	BAND FOR THE FIL. CHAMBER KIT VHW420 SS	
2A	4089100354	1	REVOLV. CASTOR KIT	
2A	4089100389	1	SS REVOLV. CASTOR KIT	
3A	4089100355	1	FIX WHEEL KIT	
3A	4089100390	1	SS FIX WHEEL KIT	
4A	4089100356	1	SUPPORTS KIT FOR FIXED WHEELS	
4A	4089100391	1	SS SUPPORTS KIT FOR FIXED WHEELS	

Part Notes:

[1] - CONTACT PM IN ZOCCA



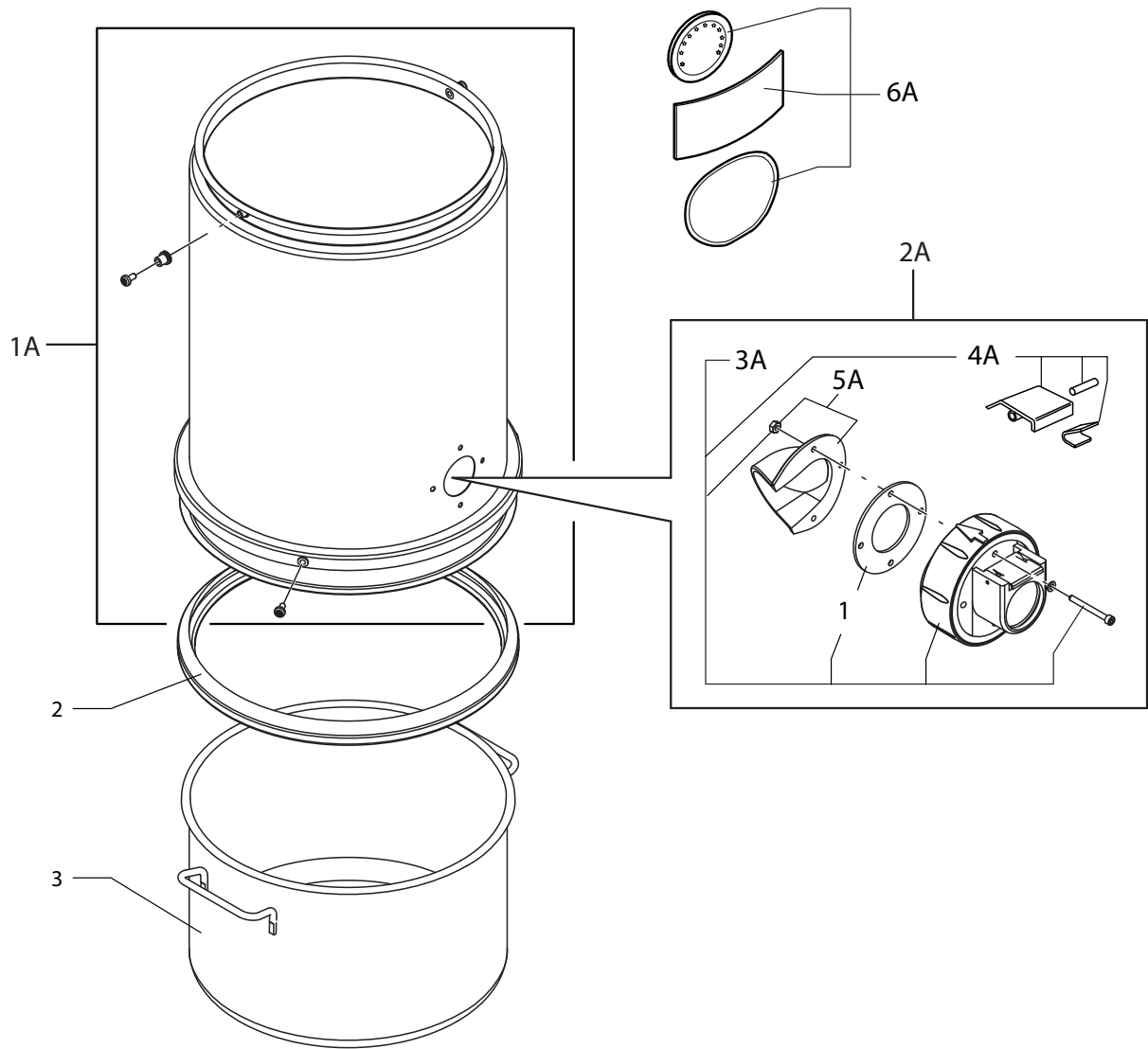
Pos.	Artikel-Nr.	Menge	Variante	Notes
1	4084001148	1	Sterngriff ohne Loch	
1A	4089100475	1	CONTAINER SUPPORT KIT VHW420	
1A	4089100476	1	CONTAINER SUPPORT KIT VHW420 SS	
2A	4089100477	1	CONTAINER LIFTING KIT VHW420	
2A	4089100478	1	CONTAINER LIFTING KIT VHW420 SS	



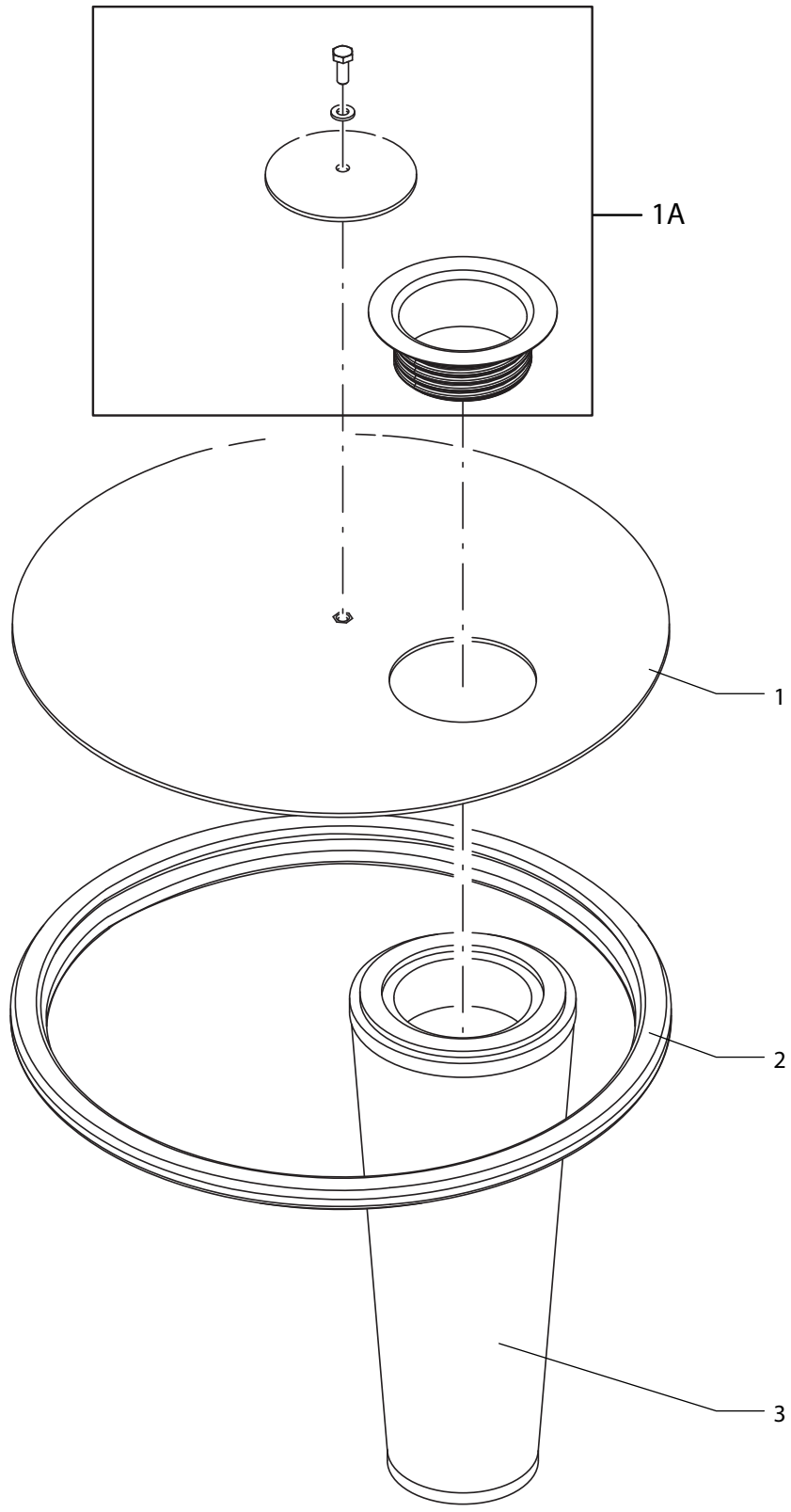
Pos.	Artikel-Nr.	Menge	Variante	Notes
1	4084001146	1	Sterngriff ohne Loch	
2	4083000753	1	DIFFUSER CONTAINER D250	[1]
2	4083000754	1	DIFFUSER CONTAINER D250 SS	[1]
3	4081701081	1	SOUND-PROOF DIFFUSER VHW421	[1]
3	4081701076	1	ABSOLUTE FILTER D220 x 150 H14 VHW	
4	4081701092	1	SEAL SILICONE	
5	4084001152	1	PLASTIC PLUG D61.5xHIGHER CARTER VHW321	
6	82219800	1	Netzkabelhacken	
6	4081600745	1	Netzkabelhacken	
1A	4089100504	1	CARTER TOP CLOSURE KIT VHW421	
1A	4089100505	1	SS CARTER TOP CLOSURE KIT VHW421	
2A	4089100459	1	3000 VACUUM GAUGE KIT	
3A	4089100506	1	HANDLE KIT VHW421	
3A	4089100507	1	SS HANDLE KIT VHW421	
4A	4089100508	1	REAR HOOD KIT VHW421	
4A	4089100509	1	SS REAR HOOD KIT VHW421	
5A	4089100510	1	FLAT FOR DIFFUSER KIT VHW421	[1]
5A	4089100511	1	SS FLAT FOR DIFFUSER KIT VHW421	[1]
6A	4089100481	1	ABSOLUTE FILTER ASSEMBLY KIT VHW420	
6A	4089100485	1	ABSOLUTE FILTER ASSEMBLY KIT VHW420 SS	
7A	4089100512	1	DIFFUSER FILTER KIT VHW421	
8A	4089100513	1	CARTER BOTTOM CLOSURE KIT VHW421	
8A	4089100514	1	SS CARTER BOTTOM CLOSURE KIT VHW421	

Part Notes:

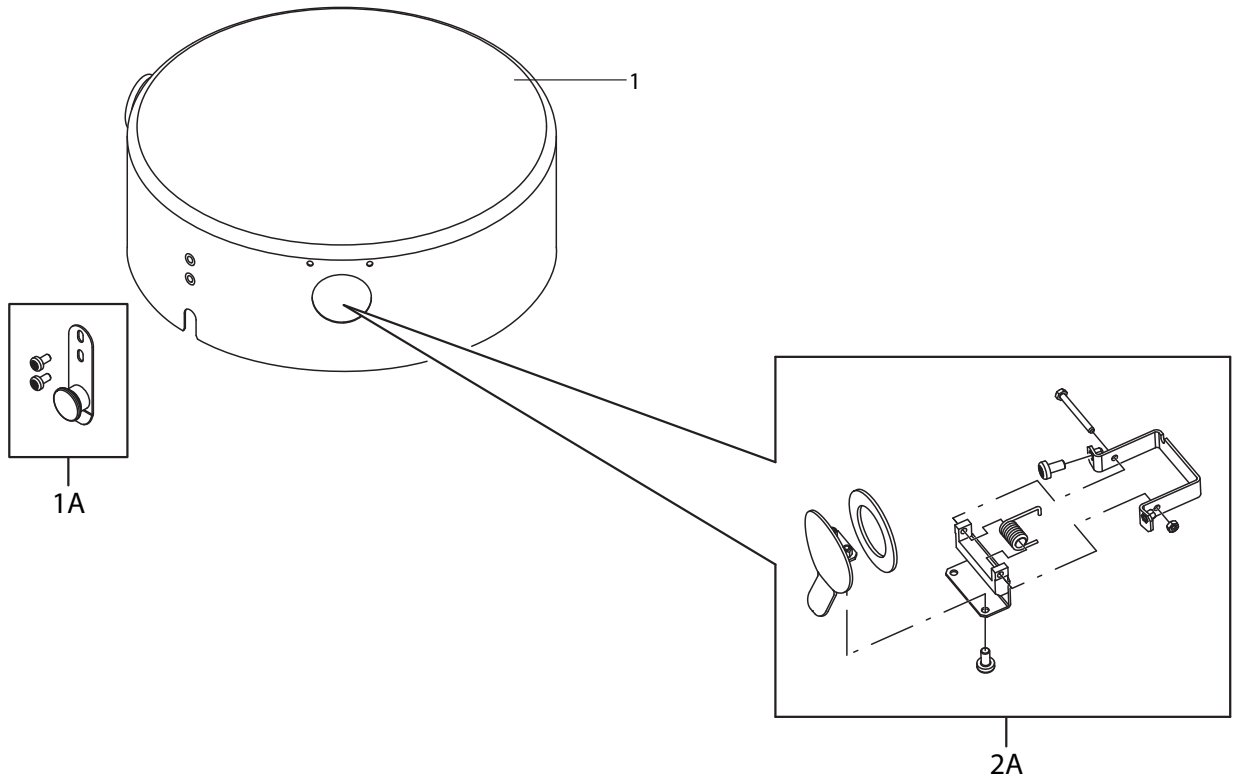
[1] - CONTACT PM IN ZOCCA



Pos.	Artikel-Nr.	Menge	Variante	Notes
1	Z8 17005	1	Anschlussdichtung D50	
2	Z8 17075	1	Dichtung für Behälter	
2	Z8 17227	1	FILT.CHAMBER SEAL D460 SILICONE	
3	4083000749	1	CONTAINER D.452X285 AISI430	
3	4083000748	1	CONTAINER D.452X285	
1A	4089100487	1	FILTER CHAMBER KIT VHW420	
1A	4089100488	1	SS FILTER CHAMBER KIT VHW420	
2A	4089100489	1	INLET FULL KIT VHW420	
2A	4089100490	1	SS INLET FULL KIT VHW420	
3A	4089100491	1	Kesselanschluss 70 VHW420	
4A	40000345	1	KIT PUSHBUTTON FOR INLET D70	
5A	4089100493	1	DEFLECTOR KIT VHW420	
5A	4089100494	1	SS DEFLECTOR KIT VHW420	
6A	4089100515	1	LABEL KIT VHW421	



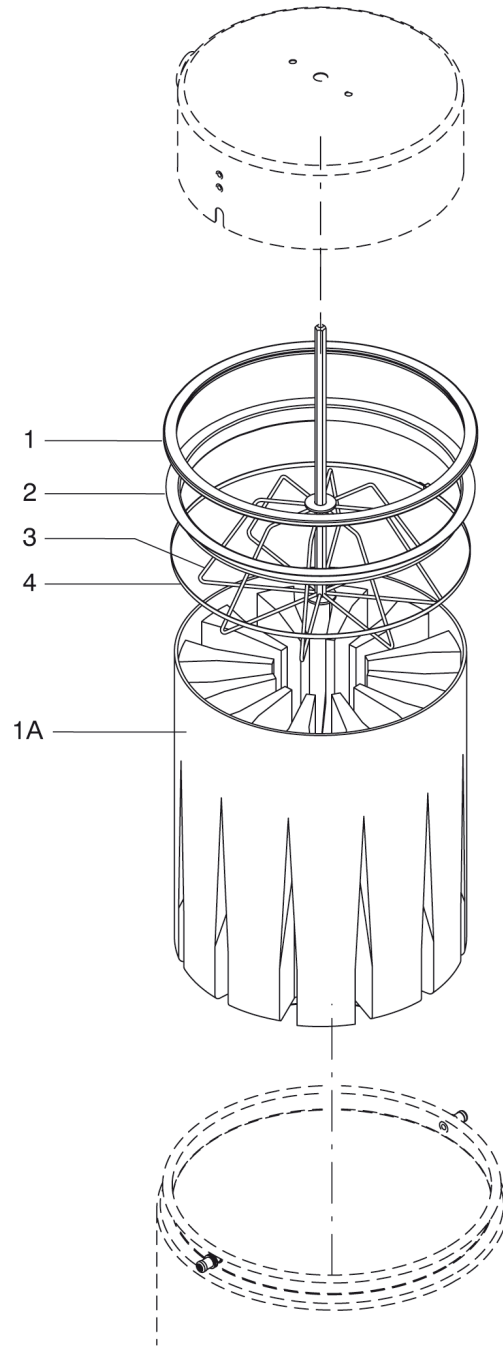
Pos.	Artikel-Nr.	Menge	Variante	Notes
1	4081500237	1	CARTRIDGES FIXING DISC FE MOD.VHW420-421	
1	4081500238	1	CARTRIDGES FIXING DISC SS MOD.VHW420-421	
2	4081701093	1	FILTER SEAL PF D450 SBR BLACK VHW420-421	
2	4081701094	1	FILTER SEAL PF D450 SILICONE VHW420-421	
3	4081701065	4	Filtersatz D120X300 CONIC M PET	
1A	4089100496	1	FILTER FIXING KIT VHW420	
1A	4089100497	1	SS FILTER FIXING KIT VHW420	



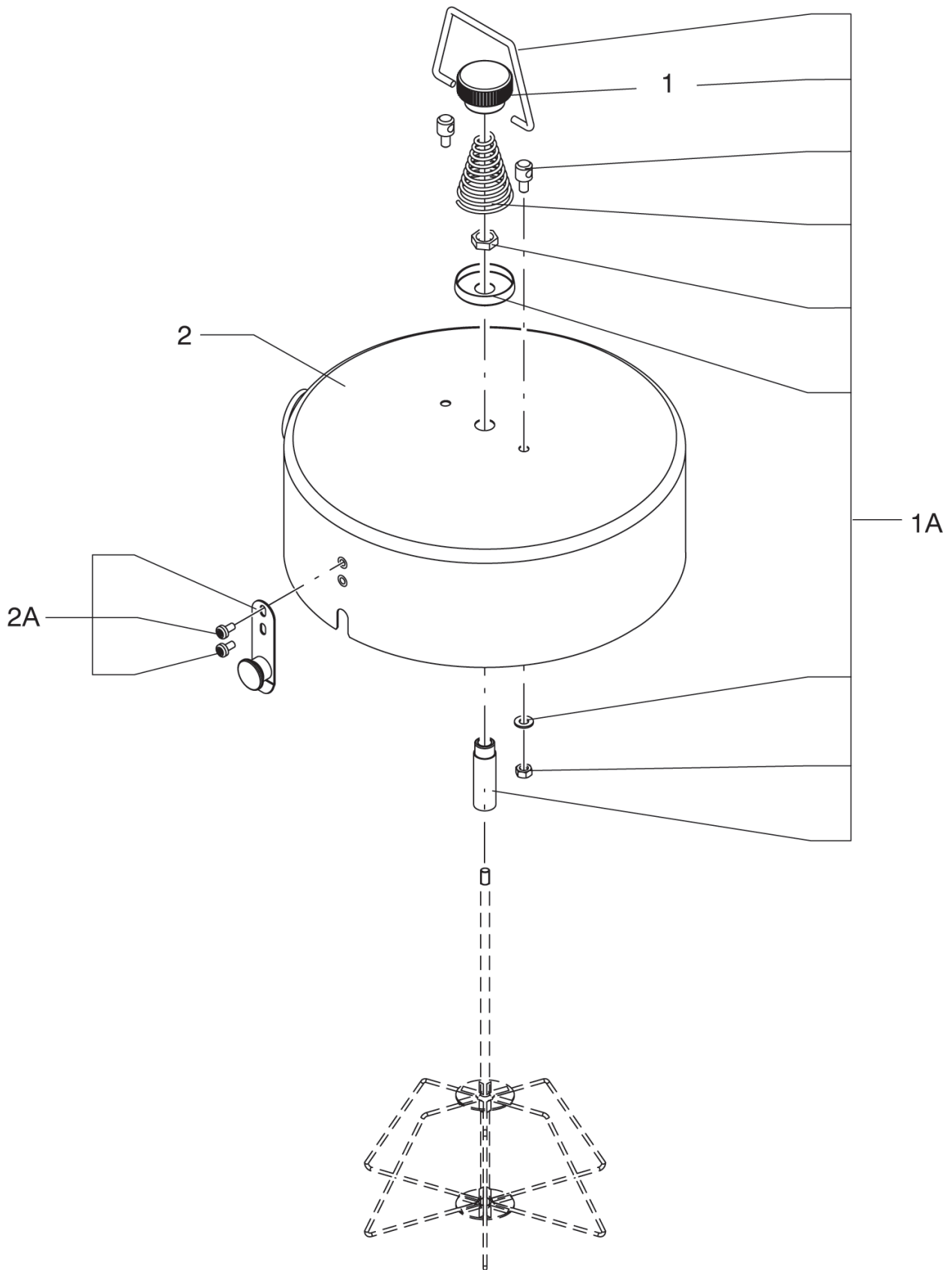
Pos.	Artikel-Nr.	Menge	Variante	Notes
1	4083101309	1	COVER D460 X CARTRIDGES	
1	4083101310	1	COVER D460 X CARTRIDGES SS	[1]
1A	4089100330	1	CAP CLOSURE LEVER KIT	
2A	4089100366	1	PULLCLEAN KIT	
2A	4089100369	1	SS PULLCLEAN KIT	

Part Notes:

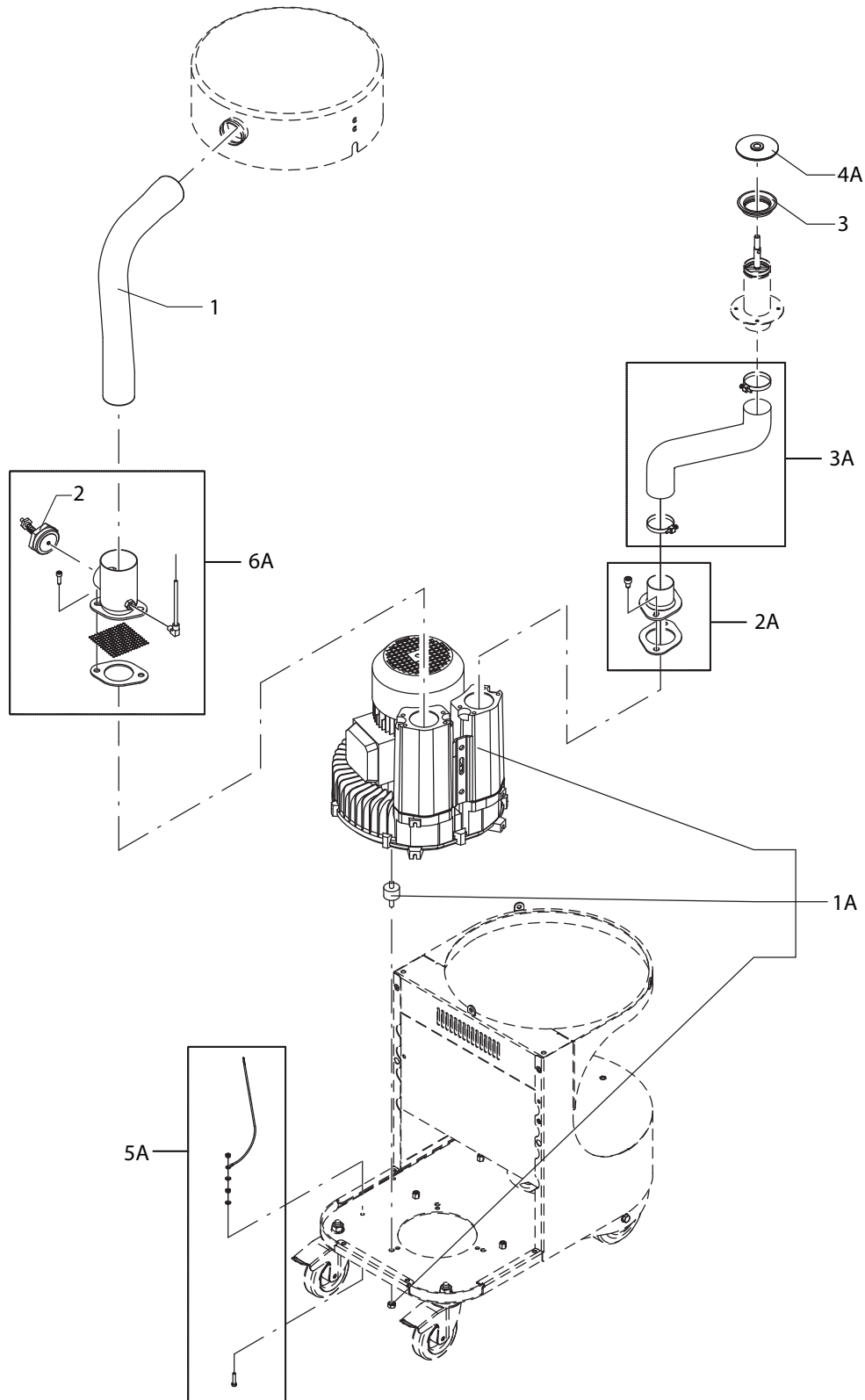
[1] - CONTACT PM IN ZOCCA



Pos.	Artikel-Nr.	Menge	Variante	Notes
1	4081701094	1	FILTER SEAL PF D450 SILICONE VHW420-421	
2	4081500256	1		
3	8 33076	1		
4	4081801387	1	FILTER BLOCK TIE D460 SS AISI304	
1A	40000338	1	Sternfilter Ø460mm Polyester, L-Klasse	



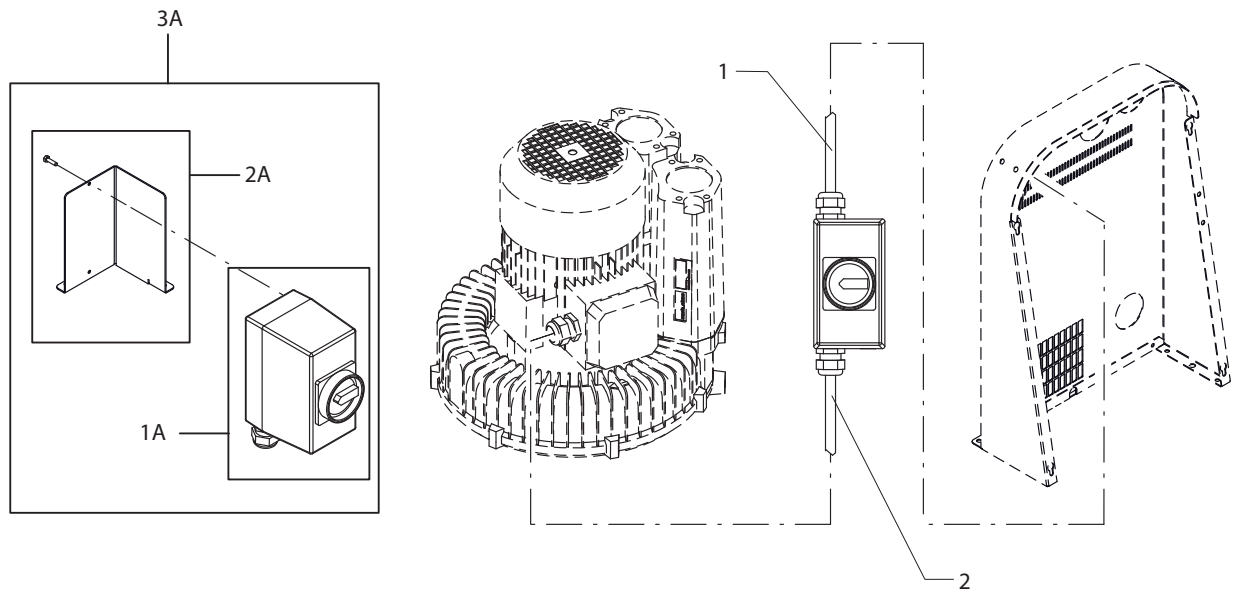
Pos.	Artikel-Nr.	Menge	Variante	Notes
1	8 40027	1	KNOB	
2	4083101391	1	CAPPELLO D460 INOX VHW421 F.STELLARE	
1A	40000314	1	KIT FILTER SHAKER INOX	
2A	4089100330	1	CAP CLOSURE LEVER KIT	



Pos.	Artikel-Nr.	Menge	Variante	Notes
1	4089100492	1	KIT HOSE VHW420 421	
2	Z8 34024	1	Nachsaugventil 1 1/2	
3	4084000988	1	LIP SEAL D50 M.WSS-WST	
1A	40000971	1	SUCTION UNIT KIT V400 H50/60	
2A	40000556	1	Flansch D70	
3A	40000557	1	Abluftschlauchkit	
4A	4056000603	1	KIT CLAPET DOWNSTREAM D50 VHW	[1]
5A	40000877	1	GROUND CABLE KIT	[1]
6A	4089100516	1	SUCTION CONNECTION KIT VHW421	

Part Notes:

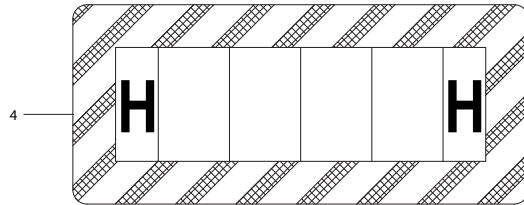
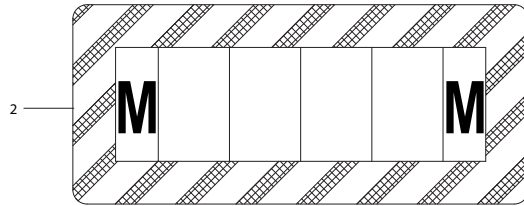
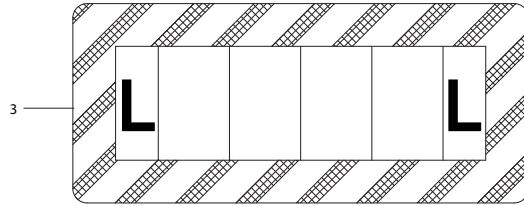
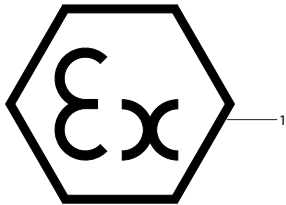
[1] - CONTACT PM IN ZOCCA



Pos.	Artikel-Nr.	Menge	Variante	Notes
1	4083901522	1	CABLE SUP. 4G2.5 FROR SP16A 6M	
1	4083901359	1	CABLE SUP. 4G2.5 FOR SP16A 5PP 6M	[1]
2	Z8 391079	1	Kabel	
1A	4089100125	1	ELECTRIC INSTAL KIT	
2A	4089100381	1	ELECTRIC PANEL SUPPORT KIT	
2A	4089100401	1	SS ELECTRIC PANEL SUPPORT KIT	[1]
3A	4089100382	1	ELECTRIC BOX PLUS SUPPORT KIT	
3A	4089100402	1	SS ELECTRIC BOX PLUS SUPPORT KIT	
NS	4056000646		KIT UPSTREAM ABSOLUT FILT. VHW421 R9003	
NS	4056000647		KIT UPSTREAM ABSOLUT FILT. VHW421 SS	

Part Notes:

[1] - CONTACT PM IN ZOCCA



Pos.	Artikel-Nr.	Menge	Variante	Notes
3	Z8 17550	1	LABEL CATEGORY L	

