

PARTS LIST



2017.09.11

 **Nilfisk**[®]

 07351-5758060

kontakt@nilfisk-alto-shop.com



Preisabfrage bzw. Bestellungen der Artikel im Shop unter

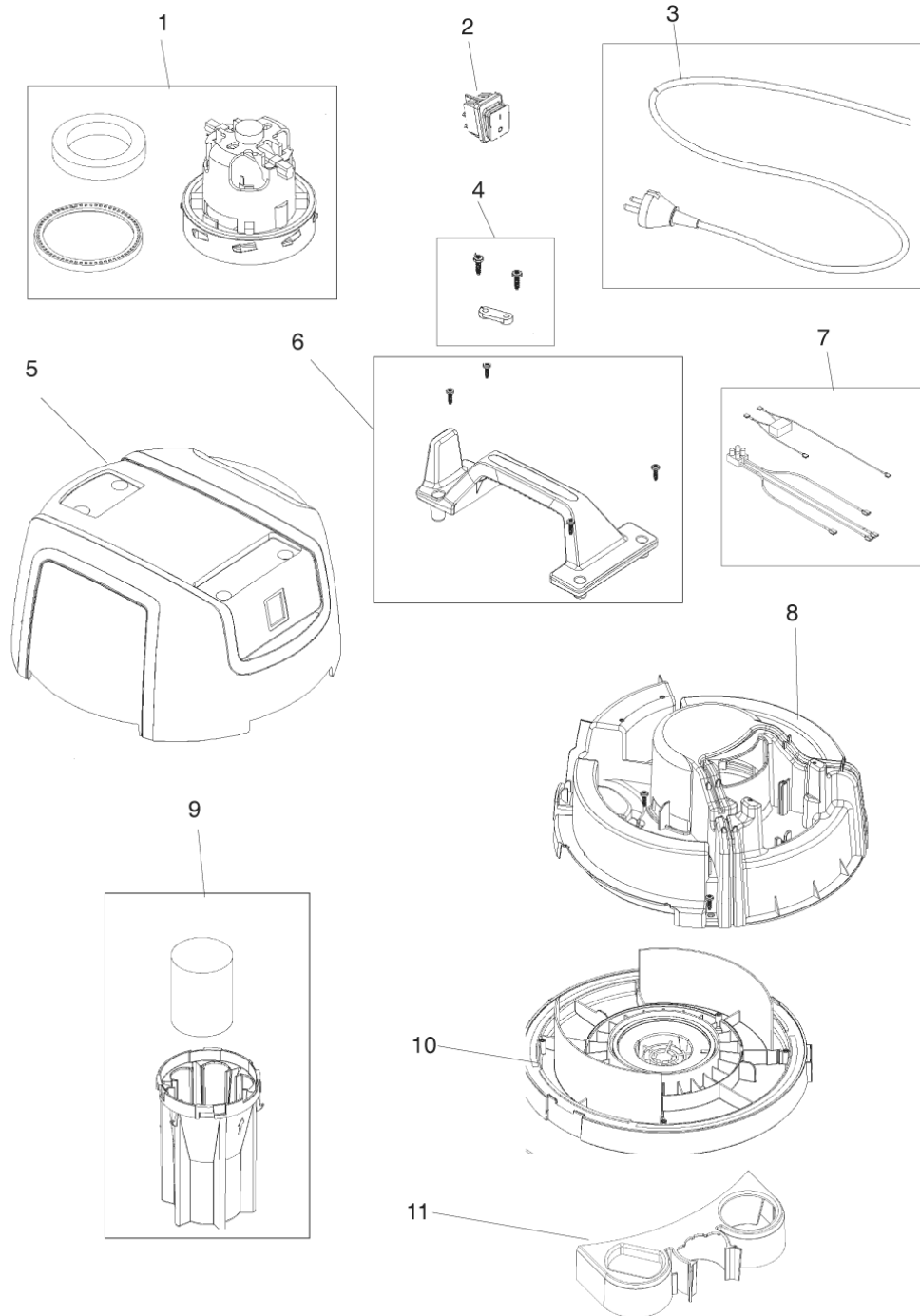
www.nilfisk-alto-shop.com

einfach die Artikelnummer in Die Suchmaske eingeben

(Bitte die Artikelnummer ohne Leerzeichen eingeben)

TABLE OF CONTENTS

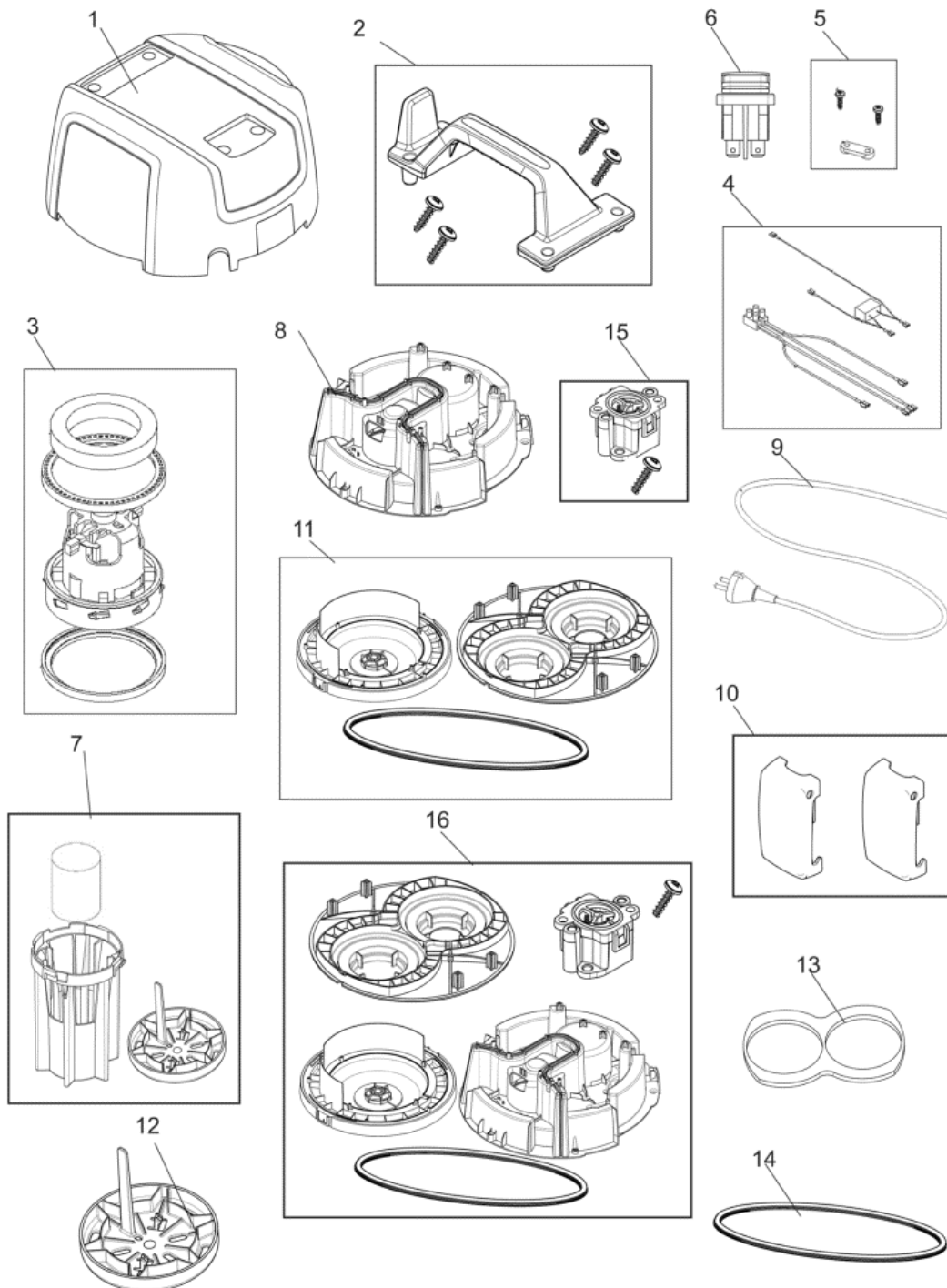
Motorabdeckung WD3	1
Motorabdeckung WD7	3
Motorabdeckung WD7 DUO	5
Behälter WD3	7
Behälter WD7	9
FAHRUNTERSATZ	11
Düsen, Rohre und Schläuche	13
Filter und Filtersack	15
RECOMMENDED SPARE PARTS	17



Pos.	Artikel-Nr.	Menge	Variante	Notes
00	140 9583 010	1	CARTON GWD 335	[1]
01	140 8689 510	1	Motor 100-120V f. GWD/	[2]
01	140 8689 500	1	Motor 220/240V	[2]
02	107404540	1	Schalter	
03	12222501	1	Netzkabel EU GWD 350	
03	12222506	1	CORD SET AU/NZ L 10M	
03	12003805	1	CORD SET JP CPL. L 15M	
03	12222503	1	CORD SET UK L 10M	
04	140 6560 500	1	ANTI STRAIN CLIP	[3]
05	140 8668 500	1	Abdeckung, schwarz	[4]
06	140 8651 510	1	Griff kpl. f. MAXXI	[4]
07	140 7042 500	1	WIRE INTERNAL FOR GWD 300	
08	140 8653 500	1	Motorabdeckung GWD320/335	[5]
09	140 8680 500	1	Schwimmer kompl. GWD-300	
10	140 8664 510	1	CHASSIS GWD 300-SERIES BLACK	[6]
11	140 8698 510	1	Zubehörhalter GWD 320	

Part Notes:

- [1] - box
STOCK COVERS GUARANTEE
- [2] - GASKETS INCL.
- [3] - SCREWS INCL.
- [4] - SCREWS INCL.
STOCK COVERS GUARANTEE
- [5] - STOCK COVERS GUARANTEE
- [6] - USE ALTERNATIVE 140 8664 500



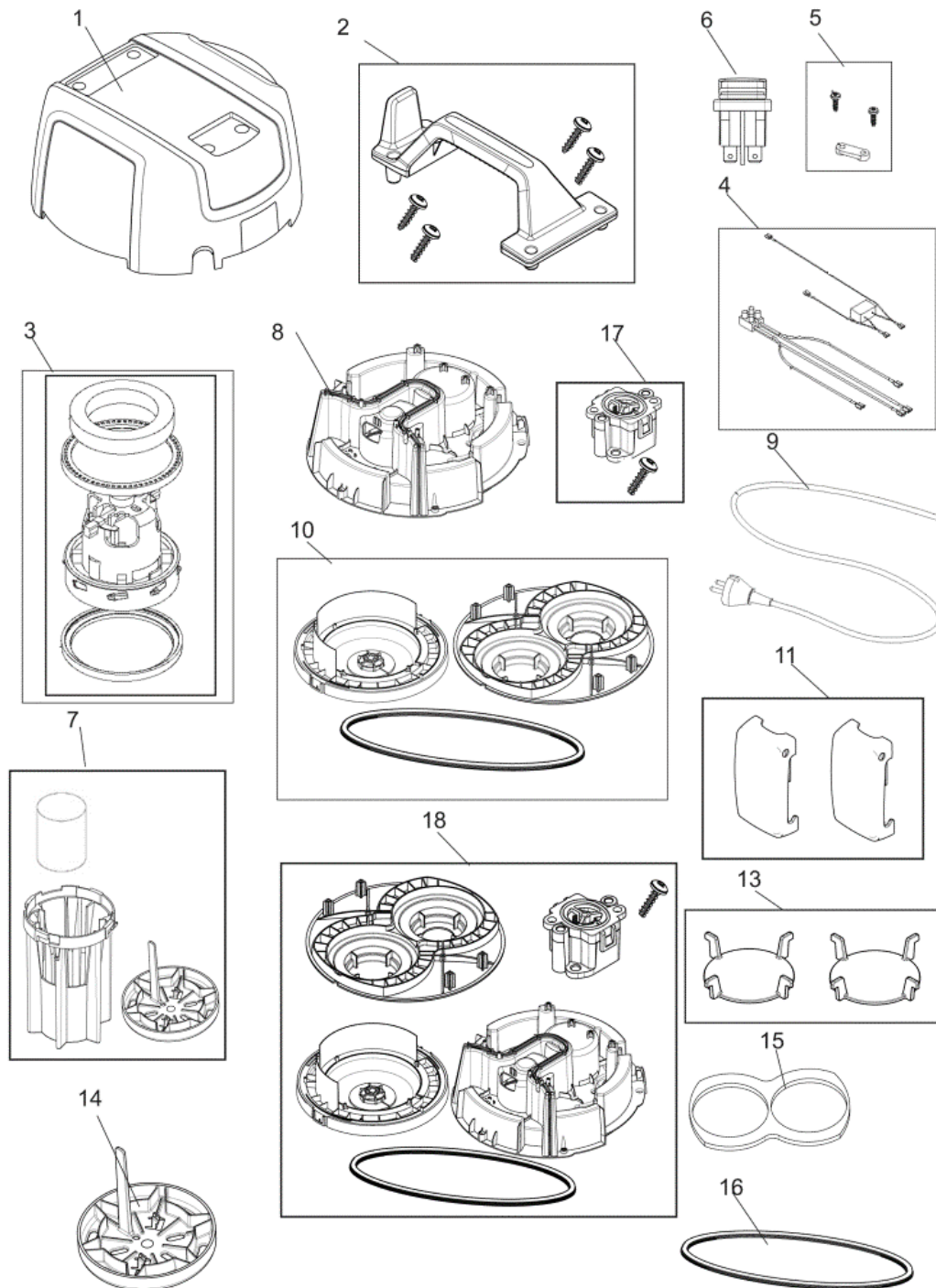
Resource notes:

Since the vacuum safety valve (Part number 147 1225 520) was introduced, an old motor cover could no longer be fitted with a new chassis and vice versa. Therefore the conversion kit (Item number 16) Part number 147 1448 5x0 are introduced. The conversion kit contains all the necessary parts to rebuild the motor tops to the new design. After this modification the machine will be according to the new updated specs with safety valve and can be fitted with separately spare parts. In other words, this modification needs only to be performed once. Machines that are older than serial no.; 0803 067937 needs this modification to be able to fit a new part included in these kits. Machines with serial no. larger than 0803 067937 could be fitted with each part separately. NOTE: The vacuum valve included in the conversion kits should be mounted at the motor cover with the two screws, part number 140 9214 040 , and the screws are also included.

Pos.	Artikel-Nr.	Menge	Variante	Notes
01	140 9532 500	1	Motorkappe	[1]
02	140 8651 510	1	Griff kpl. f. MAXXI	[2]
03	140 8689 500	1	Motor 220/240V	
03	140 8689 510	1	Motor 100-120V f. GWD/	
04	140 7620 500	1	SUPPRESSOR EU/UK/AU/NZ	
05	140 6560 500	1	ANTI STRAIN CLIP	
06	107404540	1	Schalter	
07	140 8680 500	1	Schwimmer kompl. GWD-300	
08	140 9523 500	1	Abdeckung Saugmotor GWD350/375 2 motorig	[3]
09	12222503	1	CORD SET UK L 10M	
09	12003805	1	CORD SET JP CPL. L 15M	
09	12222501	1	Netzkabel EU GWD 350	
09	12222506	1	CORD SET AU/NZ L 10M	
10	140 8691 620	1	Verschlussklammer f.	[4]
11	140 9508 510	1	Chassis GWD 350/3752 motorig	[5]
11	140 9508 560	1	CHASSIS GWD 350/375 1-MOTOR	[6]
12	140 8680 500	1	Schwimmer kompl. GWD-300	
13	140 9529 500	1	Schalldämpfer GWD 350-2	
14	140 9509 500	1	Dichtung zu GWD Serie	
15	147 1225 520	1	Saugventil kpl.	[7]
16	147 1448 540	1	CONVERSION KIT GWD 350/375	[8]
16	147 1448 560	1	CONVERSION KIT GWD 350/375	[9]

Part Notes:

- [1] - OEM - Alto version
STOCK COVERS GUARANTEE
- [2] - OEM - Alto version SCREWS INCL.
STOCK COVERS GUARANTEE
- [3] - STOCK COVERS GUARANTEE
- [4] - TOP MOUNTED LATCHES
STOCK COVERS GUARANTEE
- [5] - SEALING INCL.
- [6] - 1-motor Black
SEE PI 2017-002
- [7] - For 1350W Motor
- [8] - 1 MOTOR VERSION, UL
STOCK COVERS GUARANTEE
- [9] - 1 MOTOR VERSION
SEE PI 2017-002



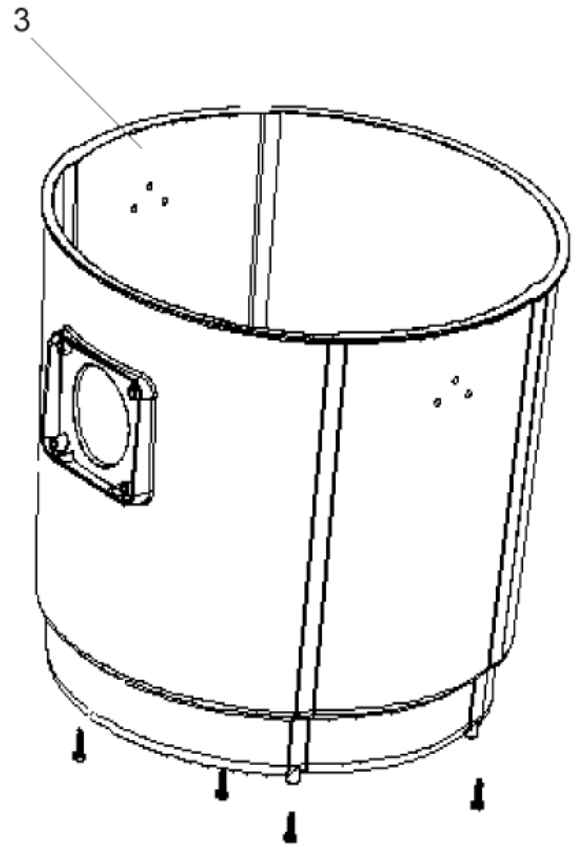
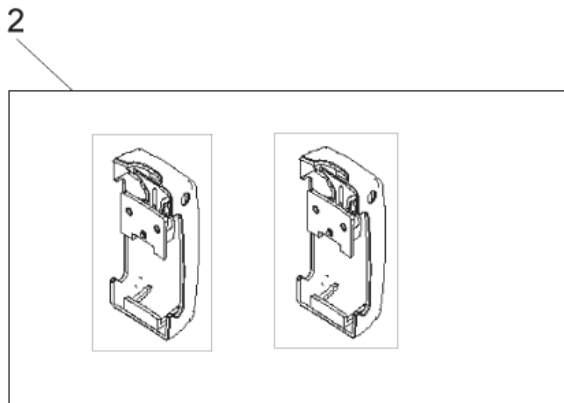
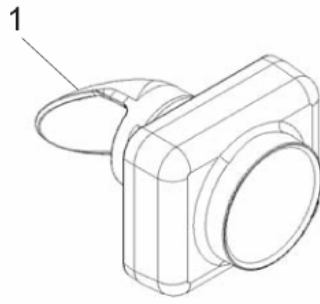
Resource notes:

Since the vacuum safety valve (Part number 147 1225 520) was introduced, an old motor cover could no longer be fitted with a new chassis and vice versa. Therefore the conversion kit (Item number 18) Part number 147 1448 5x0 are introduced. The conversion kit contains all the necessary parts to rebuild the motor tops to the new design. After this modification the machine will be according to the new updated specs with safety valve and can be fitted with separately spare parts. In other words, this modification needs only to be performed once. Machines that are older than serial no.; 0803 067937 needs this modification to be able to fit a new part included in these kits. Machines with serial no. larger than 0803 067937 could be fitted with each part separately. NOTE: The vacuum valve included in the conversion kits should be mounted at the motor cover with the two screws, part number 140 9214 040 , and the screws are also included.

Pos.	Artikel-Nr.	Menge	Variante	Notes
01	140 9530 500	1	Motorhaube f. GWD300	[1]
02	140 8651 510	1	Griff kpl. f. MAXXI	[2]
03	140 8689 500	1	Motor 220/240V	[3]
03	140 8689 510	1	Motor 100-120V f. GWD/	[3]
04	140 7620 530	1	Störschutz	
05	140 6560 500	1	ANTI STRAIN CLIP	[4]
06	107404540	2	Schalter	
07	140 8680 500	1	Schwimmer kompl. GWD-300	
08	140 9523 500	1	Abdeckung Saugmotor GWD350/375 2 motorig	[5]
09	12222503	1	CORD SET UK L 10M	
09	12003805	1	CORD SET JP CPL. L 15M	
09	12222501	1	Netzkabel EU GWD 350	
09	12222506	1	CORD SET AU/NZ L 10M	
10	140 9508 560	1	CHASSIS GWD 350/375 1-MOTOR	[6]
10	140 9508 550	1	Chassis GWD/Maxxi	[7]
11	140 8691 620	1	Verschlußklammer f.	[2]
13	140 9526 500	1	Ventilscheibe GWD 350/375	
14	140 8680 500	1	Schwimmer kompl. GWD-300	
15	140 9529 500	1	Schalldämpfer GWD 350-2	
16	140 9509 500	1	Dichtung zu GWD Serie	
17	147 1225 520	1	Saugventil kpl.	[8]
18	147 1448 550	1	CONVERSION KIT GWD 350/375	[9]
18	147 1448 570	1	CONVERSION KIT GWD 350/375	[10]

Part Notes:

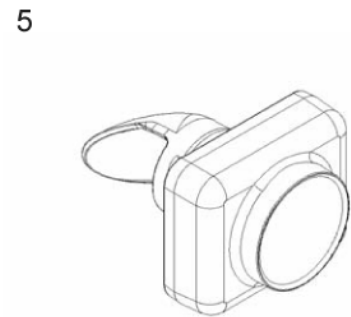
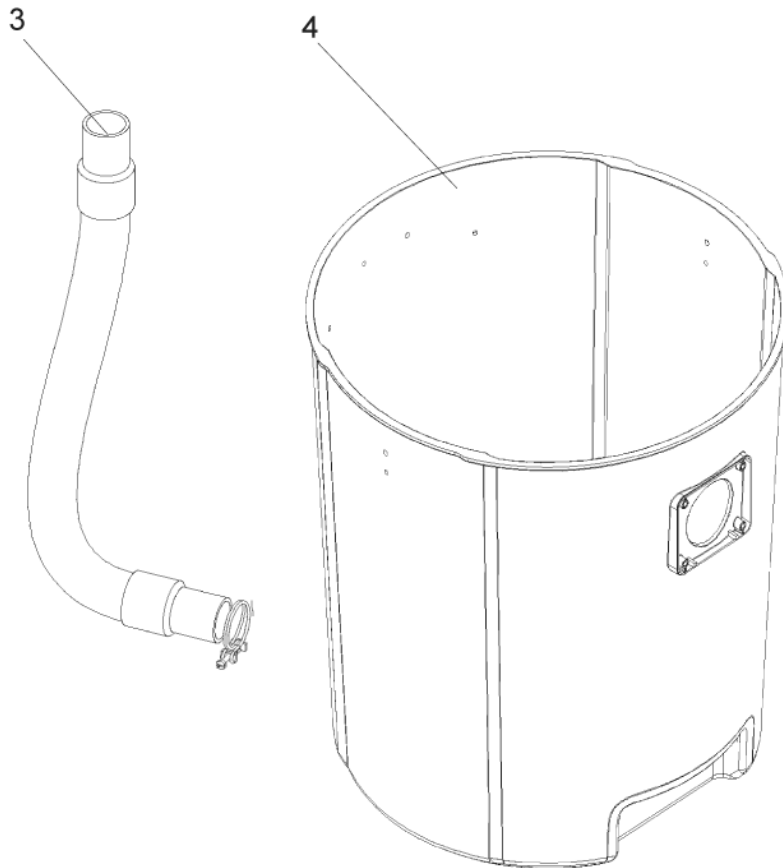
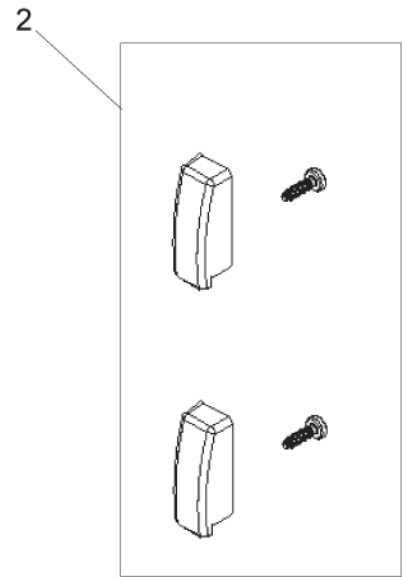
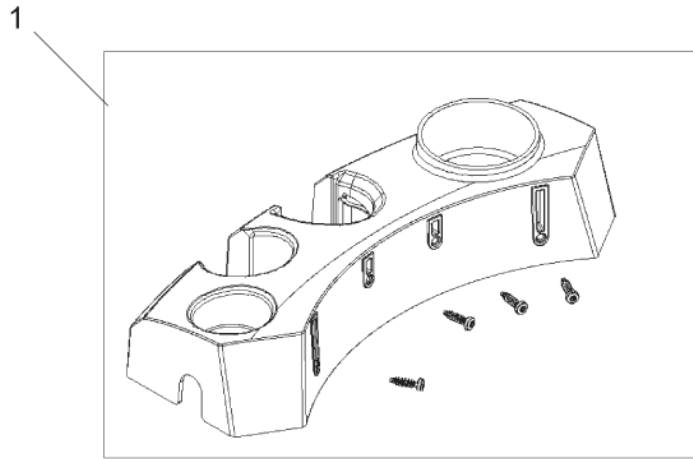
- [1] - OUTLETS FOR 2 SWITCHES
STOCK COVERS GUARANTEE
- [2] - STOCK COVERS GUARANTEE
- [3] - GASKETS INCL.
- [4] - SCREWS INCL.
- [5] - 2-MOTOR VERSION
STOCK COVERS GUARANTEE
- [6] - 2MOTOR VERSION
SEE PI 2017-002
- [7] - 2 MOTOR VERSION, UL
STOCK COVERS GUARANTEE
- [8] - For 230-240V 1350 W Fan unit
- [9] - 2-motor UL
SEE PI 2017-002
- [10] - 2-motor
SEE PI 2017-002



Pos.	Artikel-Nr.	Menge	Variante	Notes
01	147 0715 500	1	Kesselanschluß Maxi/WD	
02	140 8691 520	1	Kesselklammer	[1]
03	140 8672 530	1	CONTAINER 35L BLUE ALTO	[2]

Part Notes:

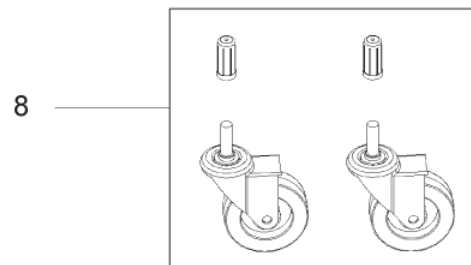
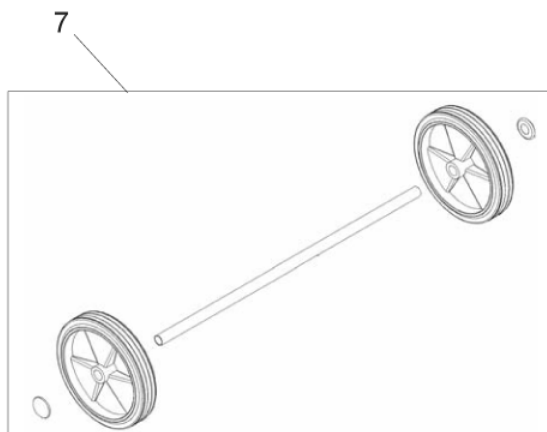
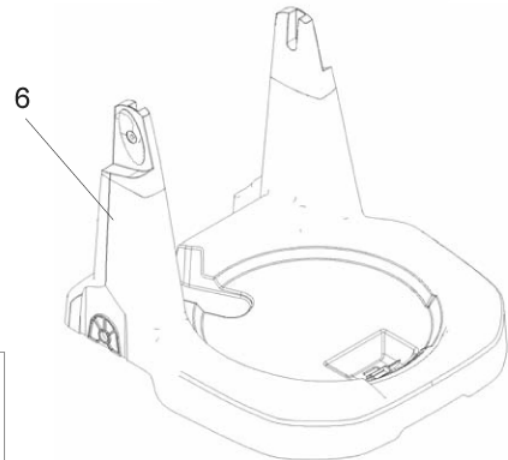
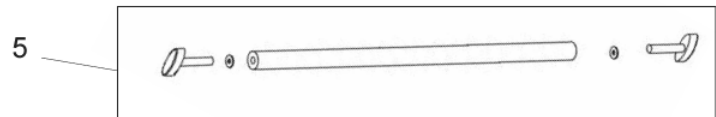
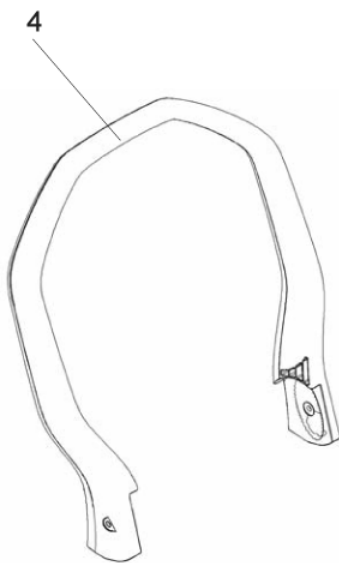
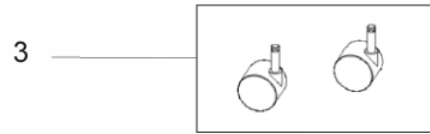
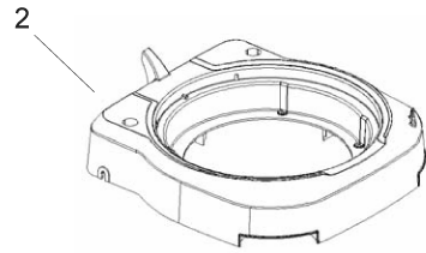
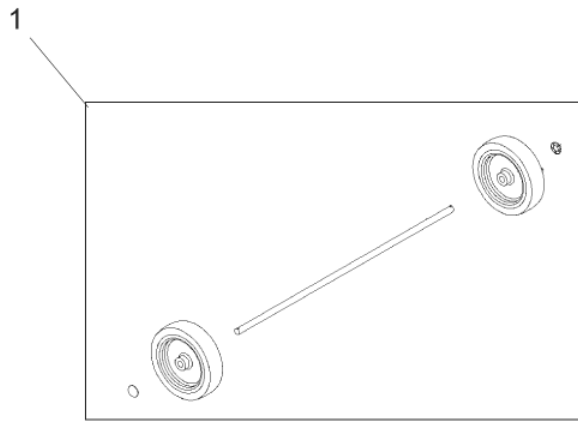
- [1] - STOCK COVERS GUARANTEE
- [2] - SCREWS INCL.
STOCK COVERS GUARANTEE



Pos.	Artikel-Nr.	Menge	Variante	Notes
01	140 9517 510	1	Halterung f. Behälter	[1]
02	140 8685 500	1	Containerhakenset à 2 Stk	[1]
03	140 7604 500	1	HOSE 32X530 GWD/MAXXI	[2]
04	140 9514 520	1	Behälter 75ltr. kpl.,	[3]
05	147 0715 500	1	Kesselanschluß Maxi/WD	

Part Notes:

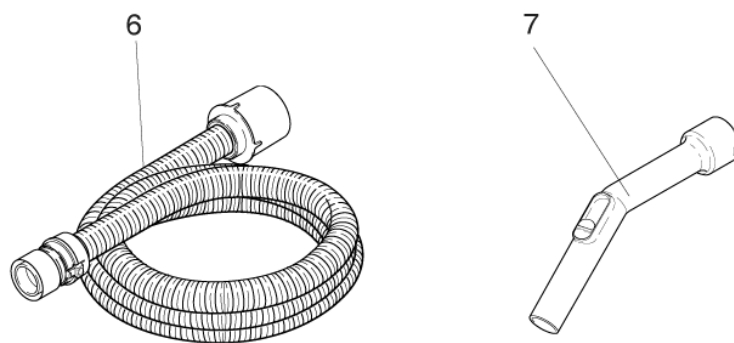
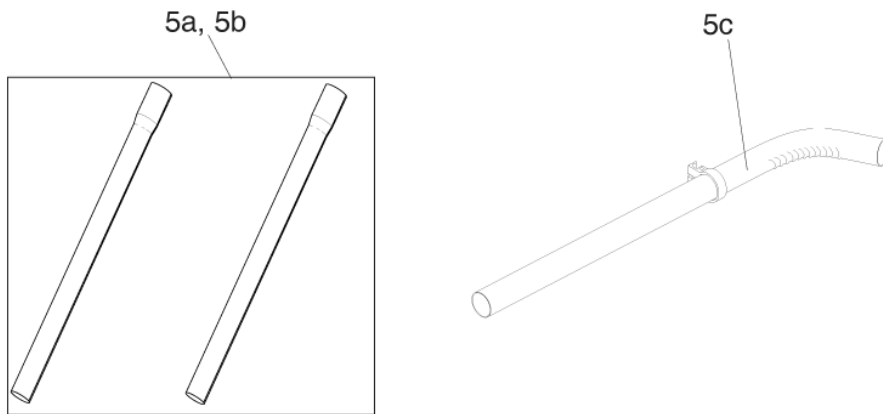
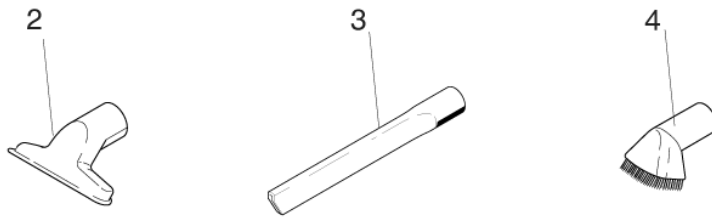
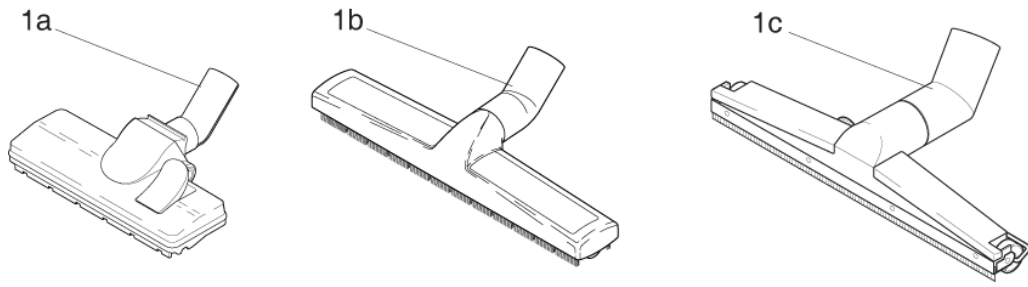
- [1] - SCREWS INCL.
STOCK COVERS GUARANTEE
- [2] - CLAMP INCL.
- [3] - DRAIN OUTLET
STOCK COVERS GUARANTEE



Pos.	Artikel-Nr.	Menge	Variante	Notes
01	140 8446 600	1	Laufratsatz GD320GWD 320, GWD 335	[1]
02	140 8662 520	1	Rahmen für Trolley	[2]
03	140 6422 500	1	Lenkrolle 2 stk.	[3]
04	140 9519 510	1	HANDLE F. TROLLEY GWD 300-SER.	[4]
05	140 9544 500	1	Steckachse	[5]
06	140 9518 510	1	Rahmen f. Fahrgestell WD7	[6]
07	140 8156 500	1	Radschutz hintenGWD 350/375	[5]
08	140 5476 500	1	Schwenkradset à 2 Stk.	[5]

Part Notes:

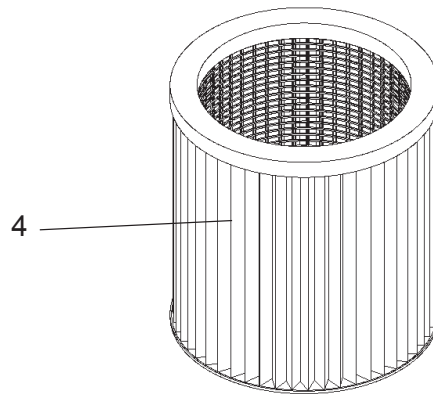
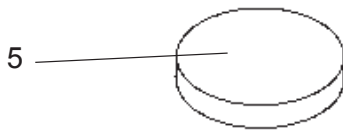
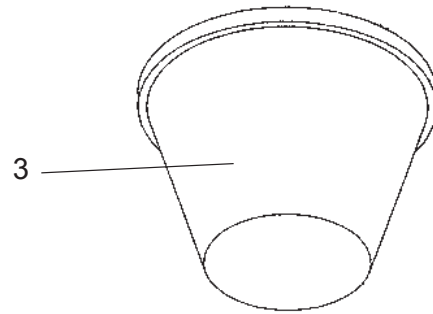
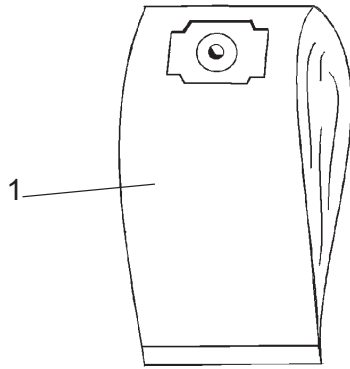
- [1] - SHAFT INCL., WD30
- [2] - WD30
NO LONGER AVAILABLE
- [3] - WD30
- [4] - WD7
ALTERNATIVE: 140 9519 500 DARK GREY
- [5] - WD7
- [6] - WD7
STOCK COVERS GUARANTEE



Pos.	Artikel-Nr.	Menge	Variante	Notes
01A	302000477	1	Bodendüse, Ø 36x260 mm	[1]
01B	302000521	1	Profi-Bodendüse, Ø 36x360 mm	[2]
01C	15343	1	Industriebodendüse Ø 50x500 mm, trocken	[3]
02	14295	1	Universaldüse Ø 36x115 mm, Kunststoff	[4]
03	6084	1	Fugendüse Ø 36x300 mm	[5]
03	7102	1	Fugendüse Ø50X370 PE	[6]
04	5146	1	Saugbürste Ø36x70 mm, Kunststoff, PA/PP	[1]
05A	107400032	1	Verlängerungsrohr Ø36x500 mm, VPE 2	[4]
05B	302000529	1	Verlängerungsrohre Ø36x505 mm, VPE 2	[7]
05C	14659	1	Rohr DN50	[8]
05C	15335	1	Alu-Verlängerungsrohr, gebog., Ø 50 mm	[9]
06	302000473	1	Universalschlauch, Ø 32 mmx3 m	[10]
06	15358	1	Universalsaugschlauch Ø 50 mmx4 m	[3]
06	46948	1	Saugschlauch, Ø 36 mmx3 m	[11]
06	60897	1	Saugschlauch Ø 32 mmx2 m	[1]
07	302000528	1	Handrohr, gebog., verchromt, Ø 36 mm	[12]
07	60911	1	Handrohr Ø 32 mm/ Ø 35 mm	[1]

Part Notes:

- [1] - FOR WD 3
- [2] - FOR WD 7, WD 7-4 DUO
- [3] - FOR WD 7-5 DUO
- [4] - FOR WD 3, WD 7
- [5] - FOR WD 3, WD 7, WD 7-4
- [6] - FOR WD 7-5 DUO
PLEASE CONTACT CARWASH DIRECTLY
- [7] - FOR WD 7-4-DUO
- [8] - FOR WD 7-5 DUO
ONLY EXTERNAL PRODUCTION
- [9] - FOR WD 7-5 DUO. WITH HAND TUBE
- [10] - FOR WD 7
- [11] - FOR WD 7-4 DUO
- [12] - FOR WD 7-4



Pos.	Artikel-Nr.	Menge	Variante	Notes
01	147 0745 010	1	Vliesbeutel, VPE 3	[1]
01	147 0746 010	1	Staubbeutel, VPE 3	[2]
03	140 8658 530	1	Filtertrichter	[3]
03	140 8658 500	1	Filtersack	[4]
03	140 9512 510	1	Naßfiltersack	[5]
03	140 9512 500	1	Filtersack	[6]
04	140 8686 500	1	Filterkassette	[7]
05	140 8682 500	1	Motorfilter	[7]

Part Notes:

- [1] - FOR WD 3
- [2] - FOR WD 7
- [3] - Wet filter, for WD 3
- [4] - Wet & Dry filter, for WD 3
- [5] - Wet filter, for WD 7
- [6] - Wet & Dry filter, for WD 7
- [7] - FOR ALL MODELS

RECOMMENDED SPARE PARTS

MAXXI WD 3

2014.11.27

2013.04.02

Pos.	Artikel-Nr.	Menge	Variante	Notes
01	12222506	1	CORD SET AU/NZ L 10M	
01	140 9512 510	1	Naßfiltersack	[1]
01	147 0715 500	1	Kesselanschluß Maxxi/WD	
01	140 7620 500	1	SUPPRESSOR EU/UK/AU/NZ	
01	60911	1	Handrohr Ø 32 mm/ Ø 35 mm	[2]
01	147 1448 540	1	CONVERSION KIT GWD 350/375	[3]
01	140 8680 500	1	Schwimmer kompl. GWD-300	
01	140 9526 500	1	Ventilscheibe GWD 350/375	
01	140 5476 500	1	Schwenkradset à 2 Stk.	[4]
01	140 8689 510	1	Motor 100-120V f. GWD/	[5]
01	140 8691 520	1	Kesselklammer	[6]
01	140 8156 500	1	Radschutz hinten GWD 350/375	[4]
01	12222501	1	Netzkabel EU GWD 350	
01	12003805	1	CORD SET JP CPL. L 15M	
01	140 8658 500	1	Filtersack	[7]
01	140 8686 500	1	Filterkassette	[8]
01	107404540	1	Schalter	
01	140 8662 520	1	Rahmen für Trolley	[9]
01	140 8658 530	1	Filtertrichter	[10]
01	140 8691 620	1	Verschlußklammer f.	[11]
01	140 9518 510	1	Rahmen f. Fahrgestell WD7	[12]
01	140 9509 500	1	Dichtung zu GWD Serie	
01	147 1448 560	1	CONVERSION KIT GWD 350/375	[13]
01	140 8685 500	1	Containerhakenset à 2 Stk	[14]
01	147 1225 520	1	Saugventil kpl.	[15]
01	140 8689 500	1	Motor 220/240V	[5]
01	140 8664 510	1	CHASSIS GWD 300-SERIES BLACK	[16]
01	140 6422 500	1	Lenkrolle 2 stk.	[17]
01	107400032	1	Verlängerungsrohr Ø36x500 mm, VPE 2	[18]
01	12222503	1	CORD SET UK L 10M	
01	140 8446 600	1	Laufratsatz GD320GWD 320, GWD 335	[19]
01	140 7620 530	1	Störschutz	
01	140 9512 500	1	Filtersack	[20]

Part Notes:

- [1] - WET FILTER, FOR WD 7
- [2] - FOR WD 3
- [3] - 1 MOTOR VERSION, UL STOCK COVERS GUARANTEE
- [4] - WD7
- [5] - GASKETS INCL.
- [6] - STOCK COVERS GUARANTEE
- [7] - WET & DRY FILTER, FOR WD 3
- [8] - FOR ALL MODELS
- [9] - WD30
NO LONGER AVAILABLE
- [10] - WET FILTER, FOR WD 3
- [11] - TOP MOUNTED LATCHES
STOCK COVERS GUARANTEE
- [12] - WD7
STOCK COVERS GUARANTEE
- [13] - 1 MOTOR VERSION
SEE PI 2017-002
- [14] - SCREWS INCL.
STOCK COVERS GUARANTEE
- [15] - FOR 230-240V 1350 W FAN UNIT
- [16] - USE ALTERNATIVE 140 8664 500
- [17] - WD30
- [18] - FOR WD 3, WD 7
- [19] - SHAFT INCL., WD30
- [20] - WET & DRY FILTER, FOR WD 7

