

PARTS LIST



2017.10.26

 **Nilfisk**[®]

 07351-5758060

kontakt@nilfisk-alto-shop.com



Preisabfrage bzw. Bestellungen der Artikel im Shop unter

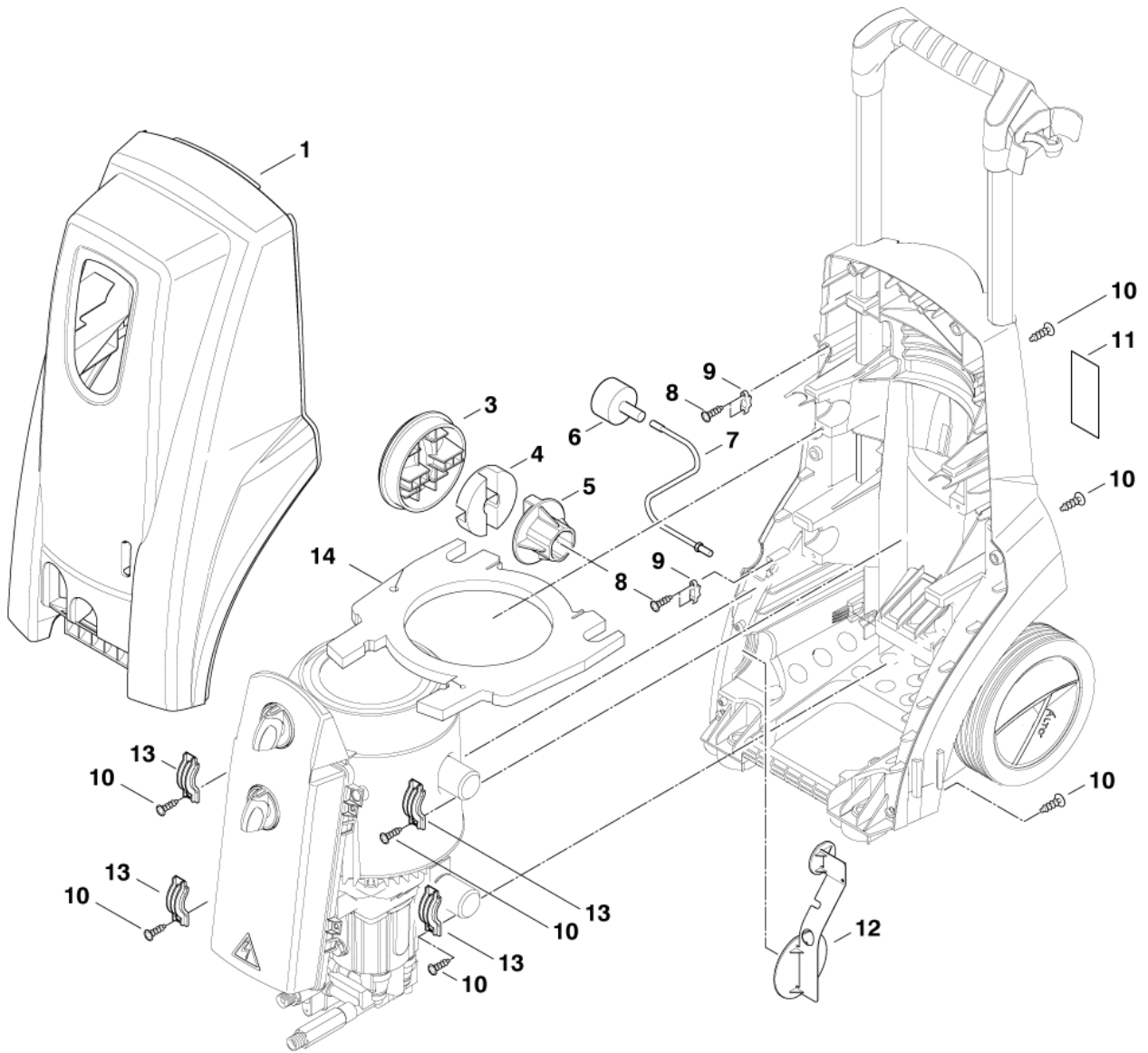
www.nilfisk-alto-shop.com

einfach die Artikelnummer in Die Suchmaske eingeben

(Bitte die Artikelnummer ohne Leerzeichen eingeben)

TABLE OF CONTENTS

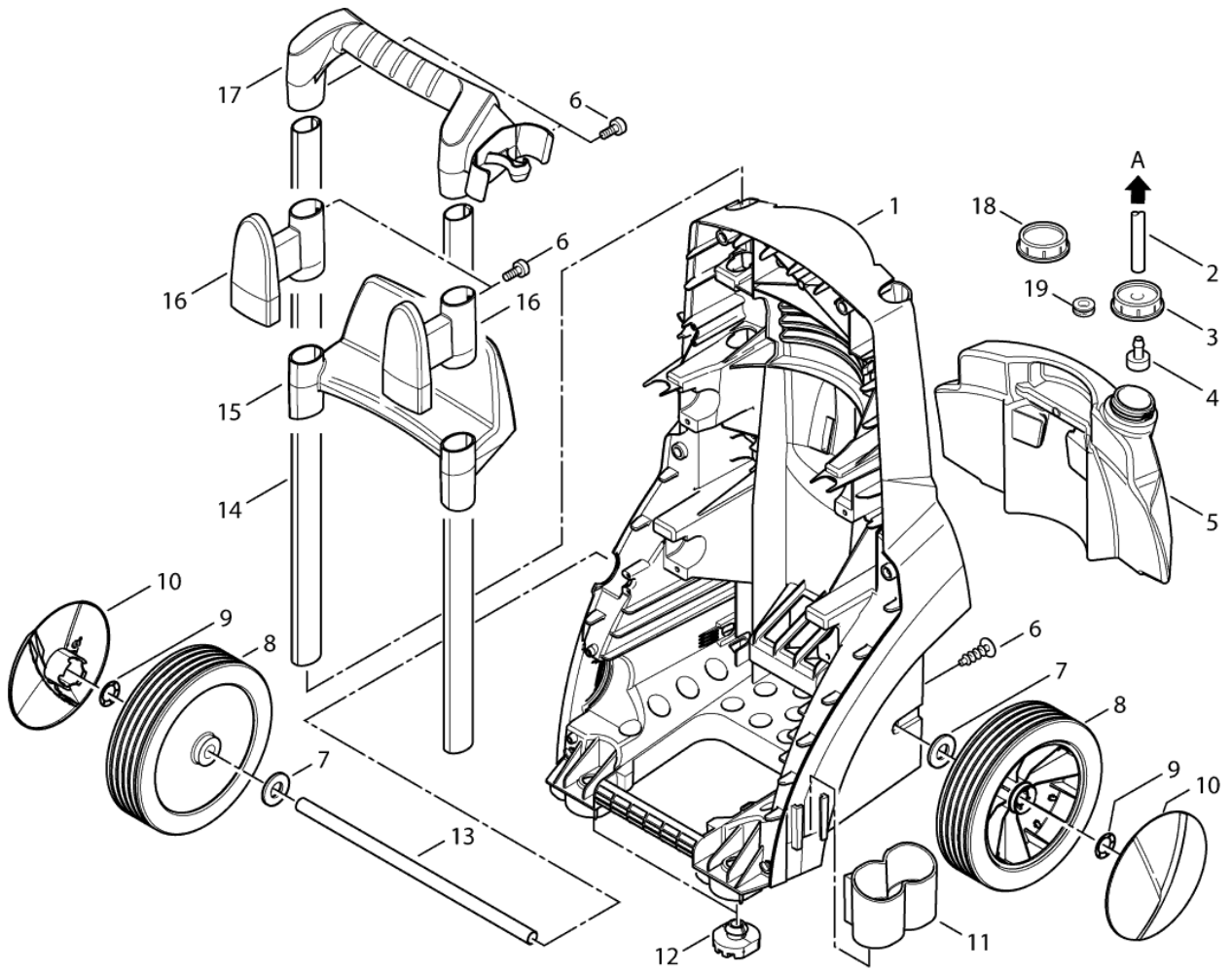
| | |
|-------------------------------|----|
| Cabinet | 1 |
| Frame | 3 |
| Motor | 5 |
| Motor | 7 |
| Pump | 9 |
| Schaltkasten | 12 |
| Default accessories | 15 |
| Hose reel | 17 |
| Recommended spare parts | 19 |



| Pos. | Artikel-Nr. | Menge | Variante | Notes |
|------|-------------|-------|---------------------------|-------|
| 00 | 101117819 | 1 | Packung Reparatursatz | [1] |
| 01 | 301002782 | 1 | Haube bedruckt POSEIDON | [2] |
| 03 | 6528435 | 1 | Drehknopf Druckregulierun | [3] |
| 04 | 6528579 | 1 | Verbindungsstück | [3] |
| 05 | 301002756 | 1 | Kupplung | [3] |
| 06 | 6528559 | 1 | Manometer | [4] |
| 07 | 301002777 | 1 | Rohr | [5] |
| 08 | 909100443 | 4 | 2x Schraube 3X16 | |
| 09 | 3806262 | 1 | Kabelschelle | |
| 10 | 1814614 | 14 | Schraube 5x18 | |
| 11 | 48083 | 1 | Klebeschild HD-Strahl | |
| 12 | 301002793 | 1 | Abdeckung | [6] |
| 13 | 301002296 | 4 | Halter | |
| 14 | 301003119 | 1 | Dämmeinlage | [6] |

Part Notes:

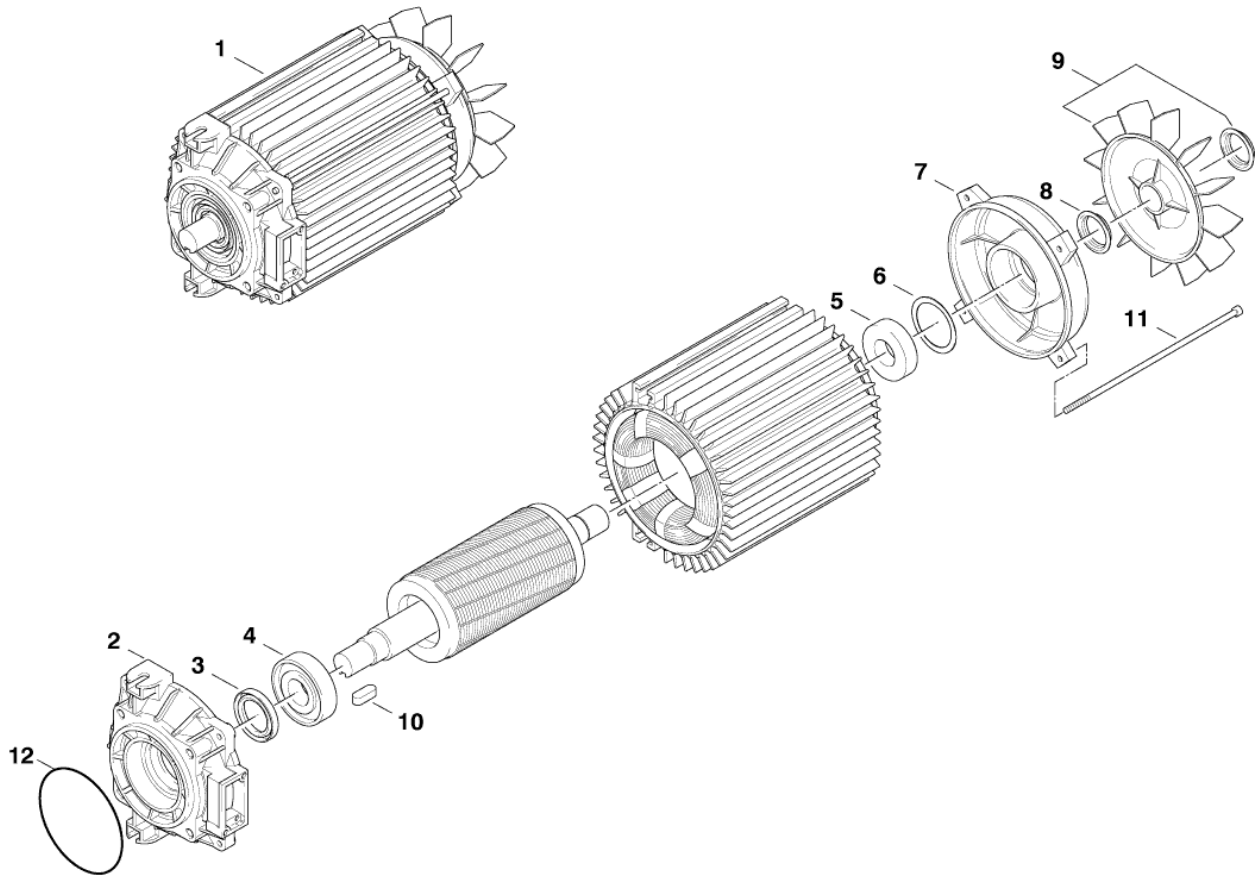
- [1] - not shown
STOCK COVERS GUARANTEE
- [2] - Standard
- [3] - optional
- [4] - optional
EXTERNAL VENDOR
- [5] - optional
ALTERNATIVE USE PN 107144028
- [6] - STOCK COVERS GUARANTEE



| Pos. | Artikel-Nr. | Menge | Variante | Notes |
|------|-------------|-------|-------------------------------------|-------|
| 1 | 301002740 | 1 | Rahmen | |
| 2 | 106408243 | 1 | HOSE 1/4INCH TRANSPARENT - 5 METERS | |
| 3 | 301001004 | 1 | Deckel | |
| 3 | 107140889 | 1 | Verschlussdeckel D10 | |
| 4 | 6400240 | 1 | Saugkorb | |
| 5 | 301002751 | 1 | Behälter | |
| 6 | 909100425 | 4 | 1x Schraube M6X12 | |
| 7 | 909100426 | 2 | 2x Beilagscheibe DIN34815 | |
| 8 | 6528568 | 2 | Rad | |
| 9 | 11710 | 2 | Klemmring 15 | |
| 10 | 6522843 | 2 | Radkappe blau | |
| 11 | 301002300 | 1 | Köcher | [1] |
| 12 | 301002747 | 2 | Stützfuß | [1] |
| 13 | 301002304 | 1 | Achse | |
| 14 | 301002785 | 2 | PROFIL D25X35 | [1] |
| 15 | 301002788 | 1 | HOOK FOR HOSE PP | [2] |
| 16 | 301002745 | 2 | Halter | |
| 17 | 301002290 | 1 | Griffschale | |
| 18 | 106408247 | 1 | CAP FOR DETERGENT TANK Ø65X20.5 | |
| 19 | 101117749 | 1 | Kabeldurchführung | |

Part Notes:

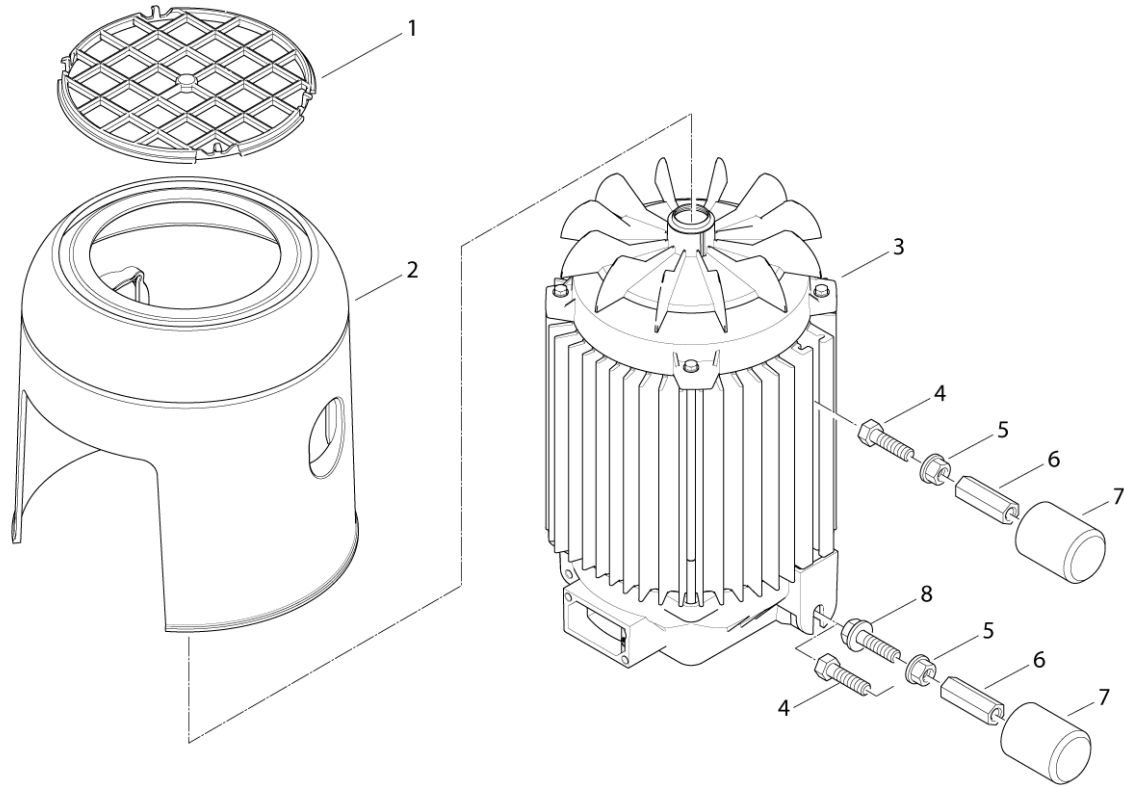
- [1] - STOCK COVERS GUARANTEE
- [2] - Standard



| Pos. | Artikel-Nr. | Menge | Variante | Notes |
|------|-------------|-------|----------------------------------|-------|
| 1 | 107145035 | 1 | MOTOR 2.2kW/230V/50Hz/1pH | [1] |
| 1 | 107145036 | 1 | MOTOR 2.8kW/220-230/400V/50-60Hz | [1] |
| 1 | 301003123 | 1 | MOTOR 200V 60HZ | [2] |
| 1 | 107145036 | 1 | MOTOR 2.8kW/220-230/400V/50-60Hz | [2] |
| 1 | 107145035 | 1 | MOTOR 2.2kW/230V/50Hz/1pH | [2] |
| 2 | 301003077 | 1 | Antriebsgehäuse | |
| 3 | 301003078 | 1 | Wellendichtring | |
| 4 | 301003079 | 1 | Kugellager DIN628-7305B | |
| 5 | 301003080 | 1 | Lager 6205 ZZ | |
| 6 | 301003081 | 1 | Federscheibe | |
| 7 | 107145037 | 1 | N-BEARING COVER | [1] |
| 7 | 301003082 | 1 | Lagerdeckel | [2] |
| 8 | 103004397 | 1 | Dichtring | |
| 9 | 107145038 | 1 | FAN INCL. SEAL V-RING | [1] |
| 9 | 301003084 | 1 | Lüfterrad | [2] |
| 10 | 101814798 | 1 | Passfeder | |
| 11 | 301003085 | 4 | Schraube M5x210 | |
| 12 | 61026 | 1 | O-Ring 94,92x2,62 | |

Part Notes:

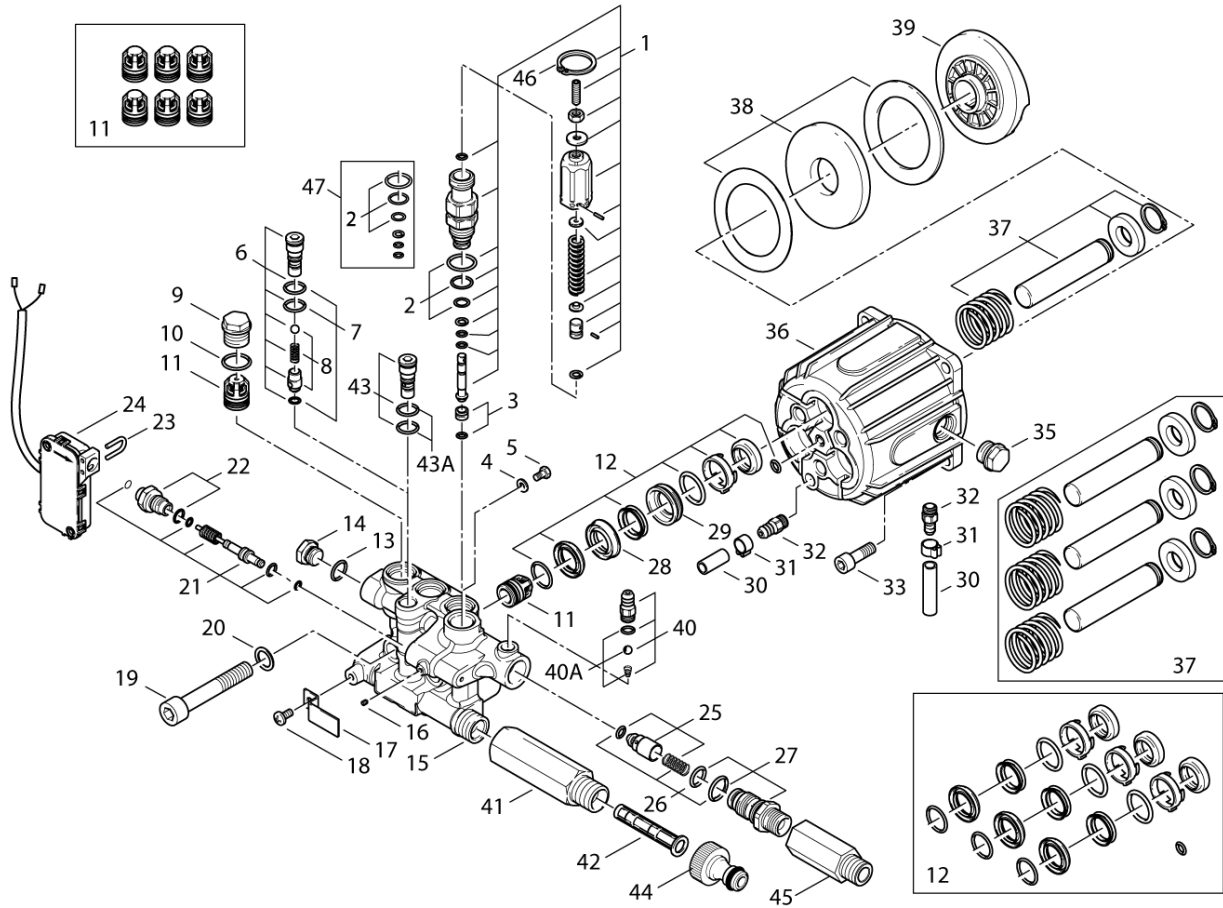
- [1] - - RF – has Nilfisk letter on the motor type plate
- [2] - - EME – has EME letter on the motor type plate



| Pos. | Artikel-Nr. | Menge | Variante | Notes |
|------|-------------|-------|--------------------------------------|-------|
| 0 | 301003119 | 1 | Dämmeinlage | [1] |
| 01 | 301002778 | 1 | Lüftergitter | [1] |
| 02 | 301002299 | 1 | Lüfterhaube | |
| 03 | 107145035 | 1 | MOTOR 2.2kW/230V/50Hz/1pH | [2] |
| 03 | 107145036 | 1 | MOTOR 2.8kW/220-230/400V/50-60Hz | [2] |
| 03 | 301003123 | | MOTOR 200V 60HZ | [3] |
| 03 | 107145035 | 1 | MOTOR 2.2kW/230V/50Hz/1pH | [3] |
| 03 | 107145036 | 1 | MOTOR 2.8kW/220-230/400V/50-60Hz | [3] |
| 04 | 2753 | 4 | Sechskantschraube M8x 20 ISO 4017 zn | [4] |
| 05 | 61467 | 4 | Sechskantmutter M8 TENS | |
| 06 | 301002303 | 4 | Bolzen | |
| 07 | 301002298 | 4 | Puffer | |
| 08 | 27372 | 2 | Schraube M8x20 | [5] |

Part Notes:

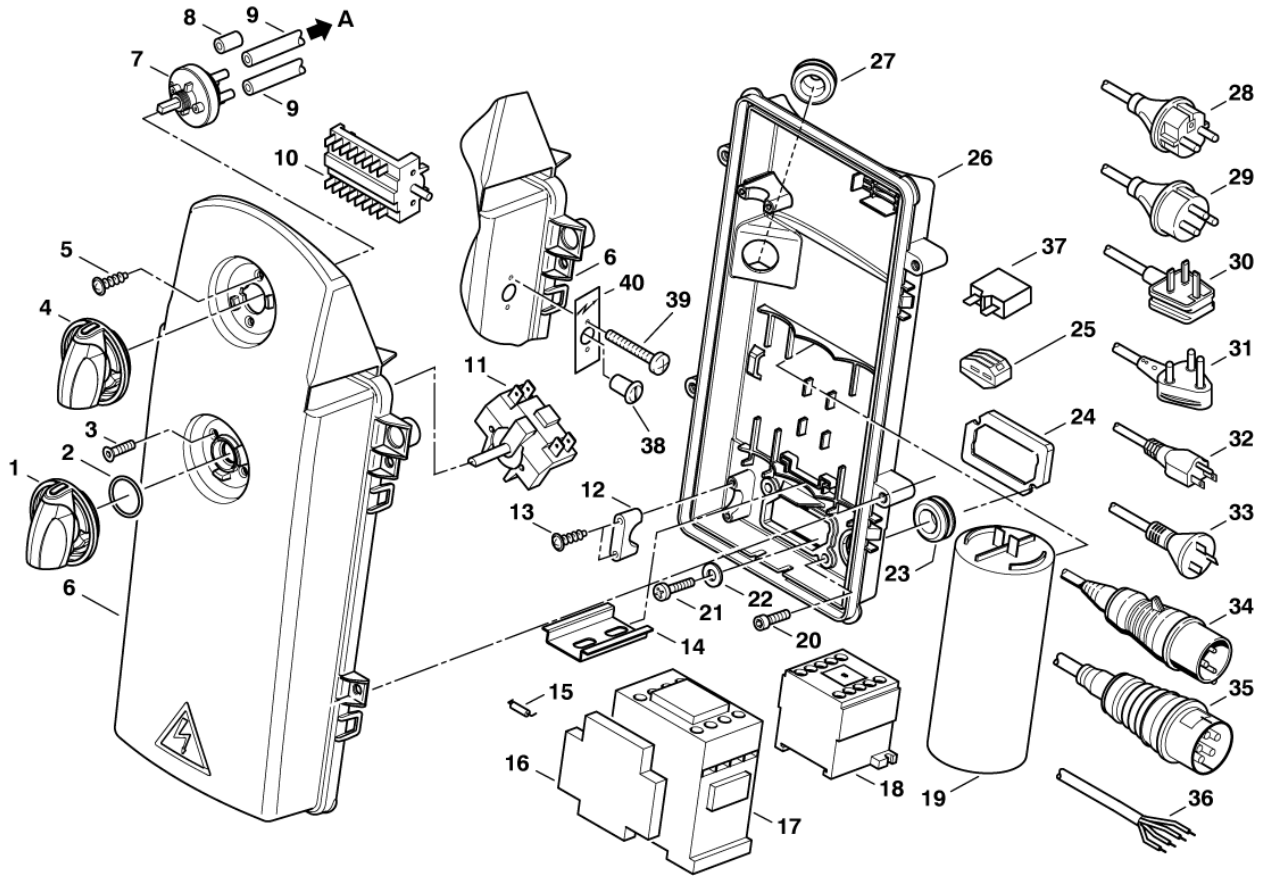
- [1] - STOCK COVERS GUARANTEE
- [2] - - RF – has Nilfisk letter on the motor type plate
- [3] - EME – has EME letter on the motor type plate
- [4] - (4 pcs. RF) - (2 pcs. EME)
- [5] - Only EME



| Pos. | Artikel-Nr. | Menge | Variante | Notes |
|------|-------------|-------|--|-------|
| 0- | 909100414 | 1 | Pumpenöl ROTRA THT | [1] |
| 1 | 301003031 | 1 | Steuerkolben | |
| 2 | 301003032 | 1 | Dichtungssatz | |
| 3 | 301003033 | 1 | Ventilsitzring | |
| 4 | 301003034 | 1 | O-Ring 6,75X1,78 | |
| 5 | 301003035 | 1 | Verschlussschraube | |
| 6 | 301003036 | 1 | Ventil | [2] |
| 7 | 301003037 | 1 | Dichtungssatz | [2] |
| 8 | 301003038 | 1 | Ventilsitz | [2] |
| 9 | 301003039 | 3 | Verschlussschraube | |
| 9A | 301003071 | 1 | Verbindungsstück | |
| 10 | 301003040 | 3 | O-Ring 15,6X1,78 | |
| 11 | 107145272 | 1 | Satz Ventile | |
| 12 | 301003042 | 1 | Dichtungssatz Kolben | |
| 13 | 301003043 | 1 | O-Ring 10,82X1,78 820510 | |
| 14 | 301003044 | 1 | Verschlussschraube | |
| 15 | 301003045 | 1 | Ventilblock | |
| 16 | 301003046 | 1 | Verschlussschraube | |
| 17 | 301003047 | 1 | Halter | |
| 18 | 301003048 | 1 | Schraube | |
| 19 | 301003049 | 3 | 3x Schraube M12X70 | |
| 20 | 301003050 | 3 | Zahnscheibe Ø12 | |
| 21 | 301003051 | 1 | Steuerkolben | |
| 22 | 301003052 | 1 | Verbindungsstück | |
| 23 | 301003053 | 1 | Bügel | |
| 24 | 301003054 | 1 | Schalter | |
| 25 | 301003055 | 1 | Rückschlagventil | |
| 26 | 301003056 | 1 | Dichtungssatz | |
| 27 | 301003057 | 1 | INJECTOR KIT | |
| 28 | 301001559 | 3 | Buchse | |
| 29 | 301003059 | 3 | Kolbenführung | |
| 30 | 301003060 | 1 | Schlauch | |
| 31 | 301003061 | 2 | Schlauchschelle | |
| 32 | 301003062 | 2 | Schlauchanschluss | |
| 33 | 301003063 | 4 | Schraube 5x25 | |
| 35 | 301003064 | 1 | Verschlussschraube | |
| 36 | 301003065 | 1 | Pumpengehäuse | |
| 37 | 301003066 | 1 | Satz Kolben | |
| 38 | 301003067 | 1 | Nadellager | |
| 39 | 301003137 | 1 | Taumelscheibe 11° | [3] |
| 39 | 301003140 | 1 | Taumelscheibe 9° | [4] |
| 39 | 301003139 | 1 | Taumelscheibe 13° | [5] |
| 39 | 301003138 | 1 | Taumelscheibe 11°30' | [6] |
| 40 | 301003070 | 1 | Schlauchanschluss | |
| 40A | 301003159 | 1 | Schlauchverbindungssatz | |
| 41 | 301003071 | 1 | Verbindungsstück | [7] |
| 41 | 107140195 | 1 | Kupplung | [8] |
| 41 | 301002757 | 1 | Kupplung | [9] |
| 42 | 301003072 | 1 | Sieb | |
| 43 | 301003073 | 1 | Verschlussschraube | [10] |
| 43A | 301003160 | 1 | O-RING Satz | |
| 44 | 106404529 | 1 | GARDENA COUPLING MALE 3/4 | |
| 45 | 106408169 | 1 | EXTENSION G3/8 F. HP-HOSE W. QUICKLOCK | [11] |
| 46 | 101117994 | 1 | RETAINER RING Ø23 DIN 471 | |
| 47 | 31000344 | 1 | Dichtungssatz | |
| XX | 301002752 | 1 | Anschlussstück | |

Part Notes:

- [1] - 0,225 l - OIL TYPES_QUANTITY for HPW_APRIL 2017
- [2] - 1~
- [3] - EU 1ph and 3x200V,60Hz (JP)
- [4] - *GB,3 ph* - 1/220V/60HZ
- [5] - EU 3ph and 3x200V,50Hz (JP)
- [6] - *GB,1ph*
- [7] - up to 12.2007
- [8] - from 01.2008
- [9] - from 01.2008 pos. 41, 42, 44
- [10] - 3~
- [11] - For machines without hose reel



| Pos. | Artikel-Nr. | Menge | Variante | Notes |
|------|-------------|-------|--|-------|
| 1 | 909100204 | 1 | Drehknopf 6x5 blau | |
| 2 | 9868 | 1 | O-Ring 10x2,5 | |
| 3 | 18274 | 2 | Senkschraube M4x12 | |
| 4 | 909100214 | 1 | Schalter GR 1 4 Kt | |
| 5 | 1814730 | 2 | Schraube 3,5x10 | |
| 6 | 107140886 | 1 | Schaltabdeckung | [1] |
| 6 | 107140885 | 1 | Schaltkasten Deckel Set | [2] |
| 7 | 301001000 | 1 | Ventil | |
| 8 | 301001906 | 2 | Verschlusskappe | |
| 9 | 106408243 | 1 | HOSE 1/4INCH TRANSPARENT - 5 METERS | |
| 10 | 64579 | 1 | Drehschalter Stern-Dreieck | [3] |
| 11 | 301001058 | 1 | Schalter | |
| 12 | 3806262 | 1 | Kabelschelle | |
| 13 | 909100443 | 2 | 2x Schraube 3X16 | |
| 14 | 22290 | 1 | Tragschiene 1 m | [4] |
| 15 | 301000074 | 1 | Widerstand 470 ohm/3W | [5] |
| 16 | 64773 | 1 | Hilfskontakt 100-SBL11 | [6] |
| 16 | 101118041 | 1 | ANDELI LA8-DN11 SIDE MOUNT AUX CONTACT | [7] |
| 17 | 63905 | 1 | Schütz 3x200/230 V | [6] |
| 18 | 103822303 | 1 | Schütz CJX2-D18 18A 400V 3P+NO | [8] |
| 19 | 301002798 | 1 | Kondensator 80 µF | [9] |
| 20 | 909100424 | 2 | 2x Schraube M5X16 | |
| 21 | 909100423 | 1 | Schraube M4X6 | |
| 22 | 4021 | 1 | Fächerscheibe 4,3 -A- DIN 6798 FSt/zn | |
| 23 | 3803772 | 1 | Tülle | |
| 24 | 301002283 | 1 | Dichtung | [10] |
| 25 | 301001229 | 1 | Klemmleiste | |
| 26 | 301002281 | 1 | Gehäuse | |
| 27 | 301002284 | 1 | Tülle | |
| 28 | 7180226 | 1 | Anschlussleitung Europa | [11] |
| 30 | 7180225 | 1 | Anschlussleitung GB | [12] |
| 31 | 301002337 | 1 | Anschlussleitung ZA | [13] |
| 32 | 3821649 | 1 | EL-kabel m, hochfrequenzrel | [14] |
| 33 | 3821142 | 1 | LTG Netz H07RN-F 3G1,5x 9 | [14] |
| 33 | 301002336 | 1 | Anschlussleitung AUS, NZ | [15] |
| 34 | 7180232 | 1 | Netzkabel mit Stecker *UK | [16] |
| 35 | 63499 | 1 | Anschlussleitung Europa | [17] |
| 36 | 63501 | 1 | Kabel | [18] |
| 37 | 301002659 | 1 | Sicherung 20A | |
| 37 | 301002324 | 1 | Sicherung 12 A | [10] |
| 37 | 301002322 | 1 | Sicherung 16 A | |
| 38 | 64580 | 1 | Drehknopf | [19] |
| 39 | 3389 | 2 | Zylinderschraube M4 x 20 ISO 1207 zn | [5] |
| 40 | 64586 | 1 | Klebeschild "230-400V Um | [20] |
| 40 | 64787 | 1 | Etikett | [21] |

Part Notes:

- [1] - 4-36 NO, EXPT, see note:
STOCK COVERS GUARANTEE
- [2] - STOCK COVERS GUARANTEE
- 4-28, 4-29, 4-30, 4-35 JP
- [3] - * SEE NOTE
- [4] - ** SEE NOTE
PLEASE CONTACT CARWASH DIRECTLY
- [5] - * NOTE: 230/400/3/50 *BE*NO*, 220/440/3/60 *EXP*
- [6] - NOTE: 230/400/3/50 *BE*NO*, 220/440/3/60 *EXP*
- [7] - ANDELI
- [8] - 400/3
- [9] - 230V *EU*, 220V *EXP*

-
- [10] - STOCK COVERS GUARANTEE
 - [11] - *EU*EXP*
 - [12] - *GB*
STOCK COVERS GUARANTEE
 - [13] - *ZA*
STOCK COVERS GUARANTEE
 - [14] - *US*
STOCK COVERS GUARANTEE
 - [15] - *AU*
STOCK COVERS GUARANTEE
 - [16] - NO LONGER AVAILABLE
 - [17] - *EU* 400/3/50
STOCK COVERS GUARANTEE
 - [18] - 230/400/3/50 *BE*NO*, 220/440/3/60 *EXP*, JP
STOCK COVERS GUARANTEE
 - [19] - NOTE: 230/400/3/50 *BE*NO*, 220/440/3/60 *EXP*

TSB-PPW-2016-007 Rotary knob for Voltage selector switch 230V-400V must be sealed with lacquer

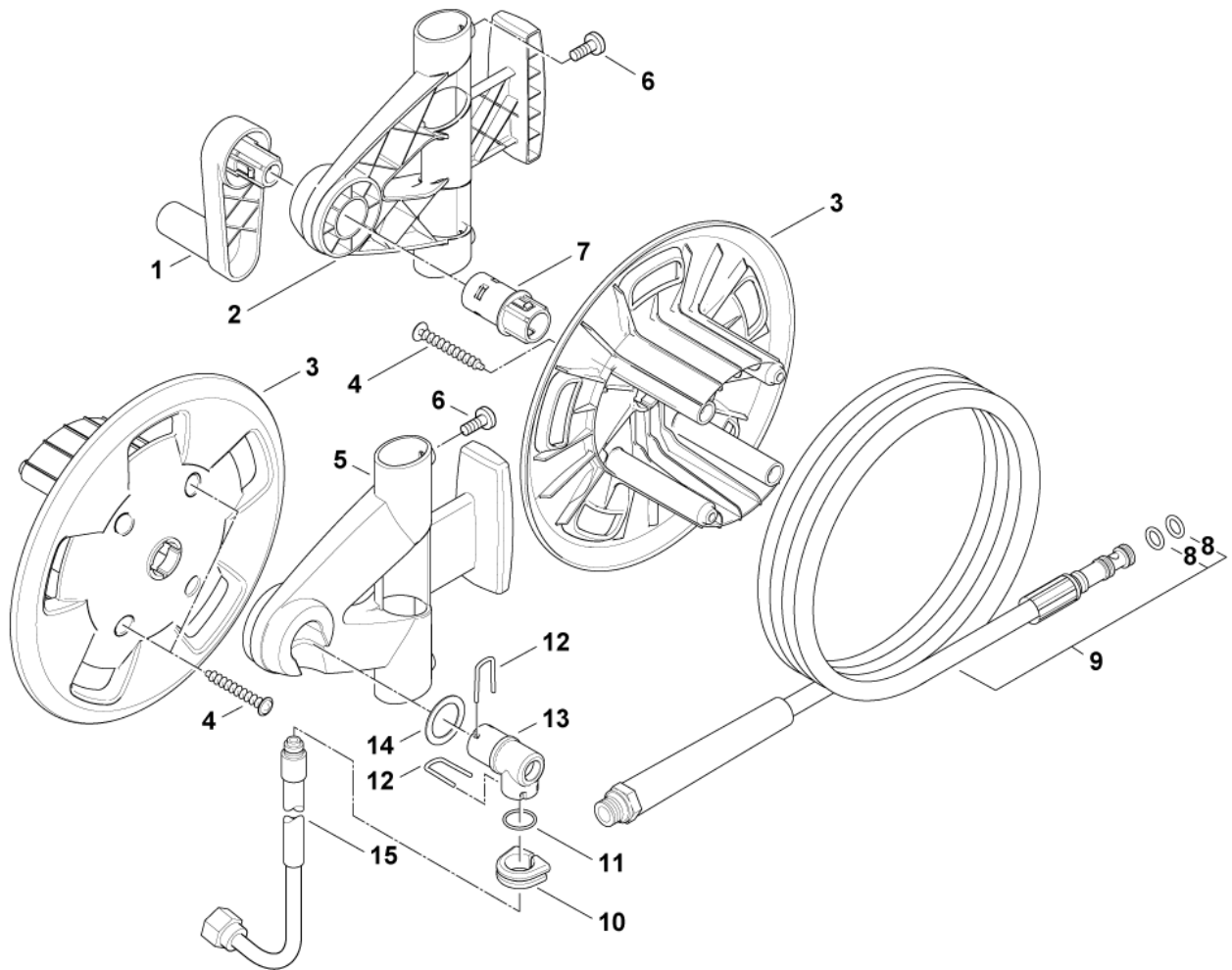
DE TSB-PPW-2016-007 Drehknopf des Spannungsauswahlschalters 230V-400V muss mit Lack versiegelt werden

- [20] - 230/400/3/50 *BE*NO*
- [21] - 220/440/3/60 *EXP*
STOCK COVERS GUARANTEE

| Pos. | Artikel-Nr. | Menge | Variante | Notes |
|------|-------------|-------|-----------------------------------|-------|
| 0- | 106403122 | 1 | ERGO 2000 STANDARD W. HOSE SWIVEL | |
| 00 | 101119736 | 1 | HD-Düse 0350 TORNADO | [1] |
| 00 | 101119740 | 1 | HD-Düse 0450 TORNADO | [2] |
| 00 | 106402281 | 1 | FLEXOPOWER PLUS 990 | |
| 00 | 101119738 | 1 | Düse NT0400 | [3] |
| 00 | 101119746 | 1 | HD-Düse 0650 TORNADO hell | [4] |
| 01 | 301002275 | 1 | HD-Schlauch DN6x10m 3/8 | [5] |
| 01 | 6101767 | 1 | HD-Schlauch DN10x10m SL | |
| 02 | 1401983 | 1 | HD-Schlauch DN10x15m 3/8 | |
| 02 | 101406176 | 1 | Schlauch DN6 15M | [6] |
| 03 | 301002701 | 1 | Schlauchtrommelkit | [7] |
| 04 | 301002411 | 1 | Pistole ERGO 1000 Vario | [8] |
| 05 | 106408240 | 1 | Lanze für 4in1 Düse | |

Part Notes:

- [1] - 4-29, 2-29 XT, 4-30, 4-30 XT
- [2] - 4-35, 4-36, 4-36 XT
- [3] - 4-28, 4-28 XT
- [4] - 4-31
- [5] - 4-28, 4-31, 4-36
- [6] - 4-28 XT, 4-29 XT, 4-30 XT, 4-36 XT
- [7] - X-tra
- [8] - Up to 2010
REPLACED



| Pos. | Artikel-Nr. | Menge | Variante | Notes |
|------|-------------|-------|--------------------------------|-------|
| 0- | 301002701 | 1 | Schlauchtrommelkit | |
| 01 | 6528569 | 1 | Kurbel | |
| 02 | 301002274 | 1 | Halter | |
| 03 | 6528570 | 2 | Trommel | |
| 04 | 1814614 | 4 | Schraube 5x18 | |
| 05 | 301002272 | 1 | Halter | |
| 06 | 909100425 | 4 | 1x Schraube M6X12 | |
| 07 | 301002273 | 1 | Kupplung | |
| 08 | 3004321 | 2 | O-Ring 10,0 x 2,0 PUR90 | |
| 09 | 101406176 | 1 | Schlauch DN6 15M | |
| 10 | 301002746 | 1 | Tülle | |
| 11 | 3002144 | 1 | O-Ring 14,3 X 2,4 SMS | |
| 12 | 6526487 | 2 | Bügel | |
| 13 | 6127990 | 1 | Anschlussstück | |
| 14 | 6127995 | 1 | Scheibe 25 /35 x1,0 | |
| 15 | 301002795 | 1 | Hochdruckschlauch DN 8, 794 mm | |

| Pos. | Artikel-Nr. | Menge | Variante | Notes |
|------|-------------|-------|--|-------|
| 0A | 301002659 | 1 | Sicherung 20A | [1] |
| 0A | 301003042 | 1 | Dichtungssatz Kolben | [1] |
| 0A | 301003072 | 1 | Sieb | [1] |
| 0A | 301002322 | 1 | Sicherung 16 A | [1] |
| 0A | 31000344 | 1 | Dichtungssatz | [1] |
| 0A | 107145272 | 1 | Satz Ventile | [1] |
| 0A | 301002324 | 1 | Sicherung 12 A | [2] |
| 0B | 301003037 | 1 | Dichtungssatz | [3] |
| 0B | 301003055 | 1 | Rückschlagventil | [3] |
| 0B | 301003032 | 1 | Dichtungssatz | [3] |
| 0B | 301003036 | 1 | Ventil | [3] |
| 0B | 301003031 | 1 | Steuerkolben | [3] |
| 0B | 301003038 | 1 | Ventilsitz | [3] |
| 0C | 301003054 | 1 | Schalter | [4] |
| 0C | 103822304 | 1 | Schütz CJX2-D18 18A 230V 3P+NO | [4] |
| 0C | 301003067 | 1 | Nadellager | [4] |
| 0C | 301003080 | 1 | Lager 6205 ZZ | [4] |
| 0C | 301003123 | 1 | MOTOR 200V 60HZ | [4] |
| 0C | 301002795 | 1 | Hochdruckschlauch DN 8, 794 mm | [4] |
| 0C | 64579 | 1 | Drehschalter Stern-Dreieck | [4] |
| 0C | 107145036 | 1 | MOTOR 2.8kW/220-230/400V/50-60Hz | [4] |
| 0C | 64773 | 1 | Hilfskontakt 100-SBL11 | [4] |
| 0C | 301003137 | 1 | Taumelscheibe 11° | [4] |
| 0C | 301003138 | 1 | Taumelscheibe 11°30' | [4] |
| 0C | 301003066 | 1 | Satz Kolben | [4] |
| 0C | 107145035 | 1 | MOTOR 2.2kW/230V/50Hz/1pH | [4] |
| 0C | 301003079 | 1 | Kugellager DIN628-7305B | [4] |
| 0C | 103822303 | 1 | Schütz CJX2-D18 18A 400V 3P+NO | [4] |
| 0C | 101118041 | 1 | ANDELI LA8-DN11 SIDE MOUNT AUX CONTACT | [4] |
| 0C | 301003140 | 1 | Taumelscheibe 9° | [4] |
| 0C | 301002798 | 1 | Kondensator 80 µF | [4] |
| 0C | 301001058 | 1 | Schalter | [4] |
| 0C | 301003139 | 1 | Taumelscheibe 13° | [4] |

Part Notes:

- [1] - A
 [2] - A
 STOCK COVERS GUARANTEE
 [3] - B
 [4] - C

