

 **Nilfisk**[®]

 07351-5758060

kontakt@nilfisk-alto-shop.com



Preisabfrage bzw. Bestellungen der Artikel im Shop unter

www.nilfisk-alto-shop.com

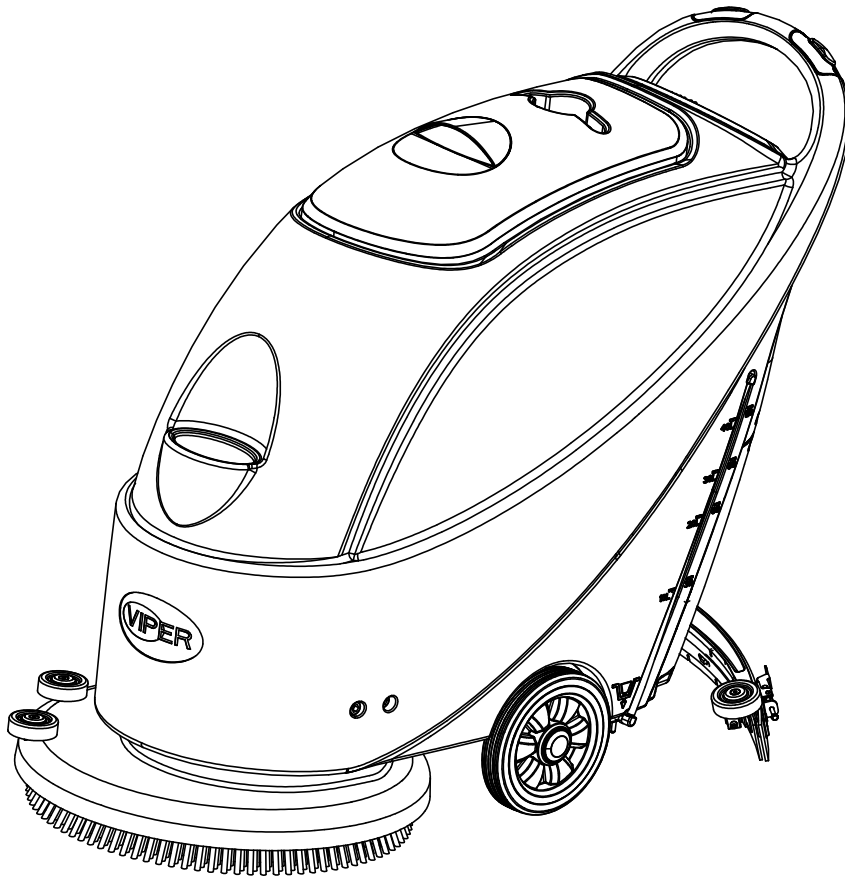
einfach die Artikelnummer in Die Suchmaske eingeben

(Bitte die Artikelnummer ohne Leerzeichen eingeben)



AS430B & AS510B

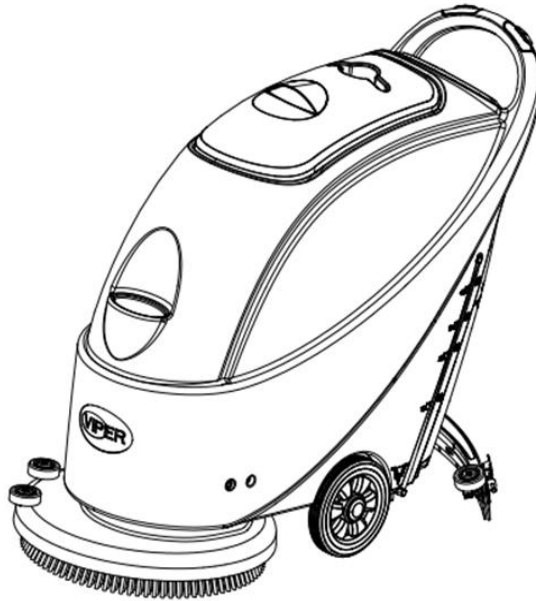
PART LIST



Company information:
www.vipercleaning.eu
info-eu@vipercleaning.com

VF90013-EU
Rev.01

TABLE OF CONTENTS
AS430B/AS510B PART LIST



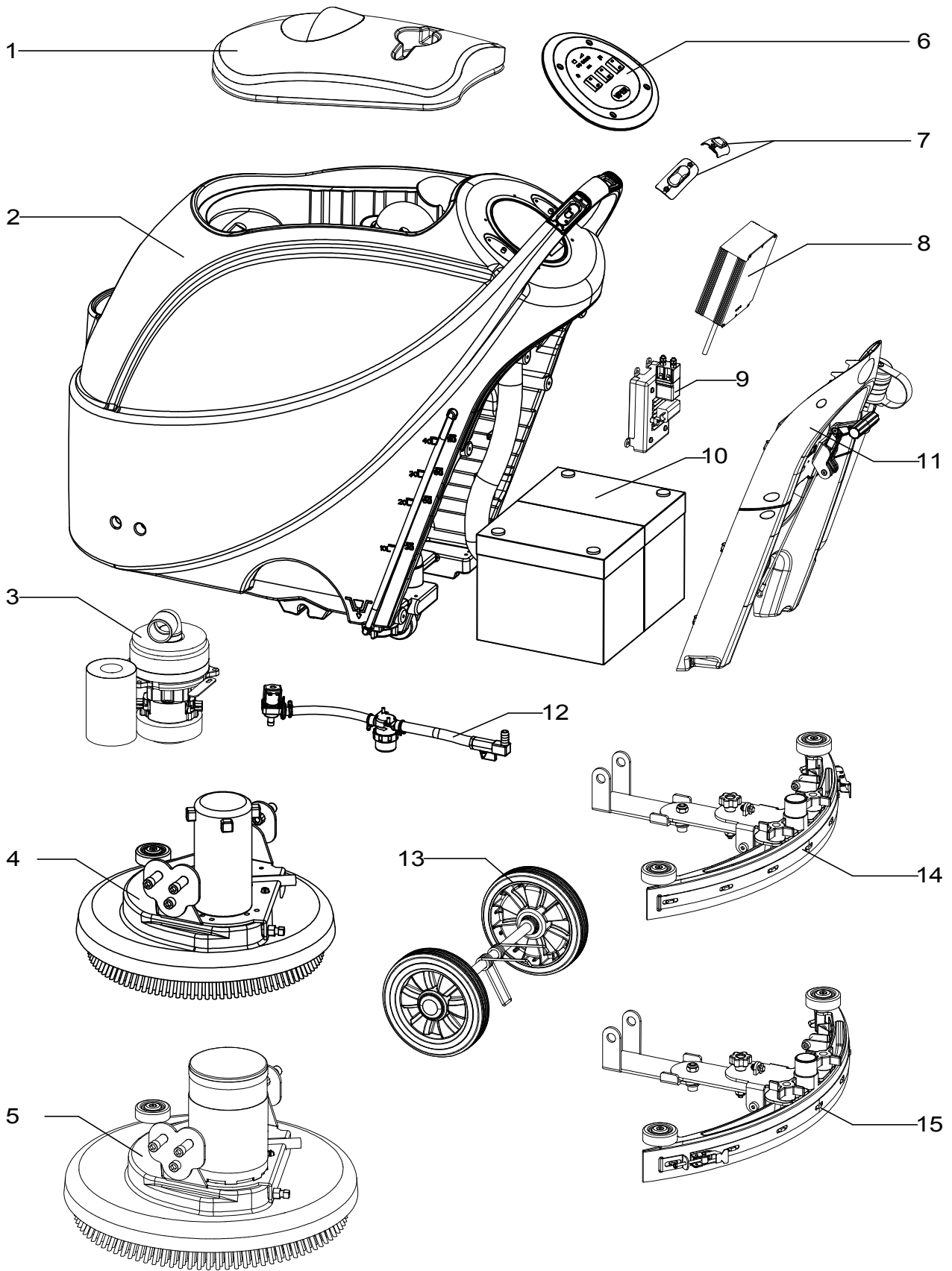
GB	Page
GENERAL VIEW	2-3
TANK SYSTEM	4-5
CONTROL SYSTEM AND ELECTRICAL SYSTEM	6-7
WHEELS AND SOLUTION SYSTEM	8-9
BRUSH SYSTEM	10-11
SQUEEGEE SYSTEM	12-13
WEAR AND TEAR PARTS	14-15
WIRING DIAGRAM	16

WHEN ORDERING PARTS

- * Use the 7,8 or 9 digit numbers from the "PART NO." columns in this parts list .
- * Specify the model and serial number of the machine.
- * Use the space below to record the model and serial number for future reference.

Model _____ Serial No. _____

GENERAL VIEW
AS430B / AS510B PART LIST



GENERAL VIEW

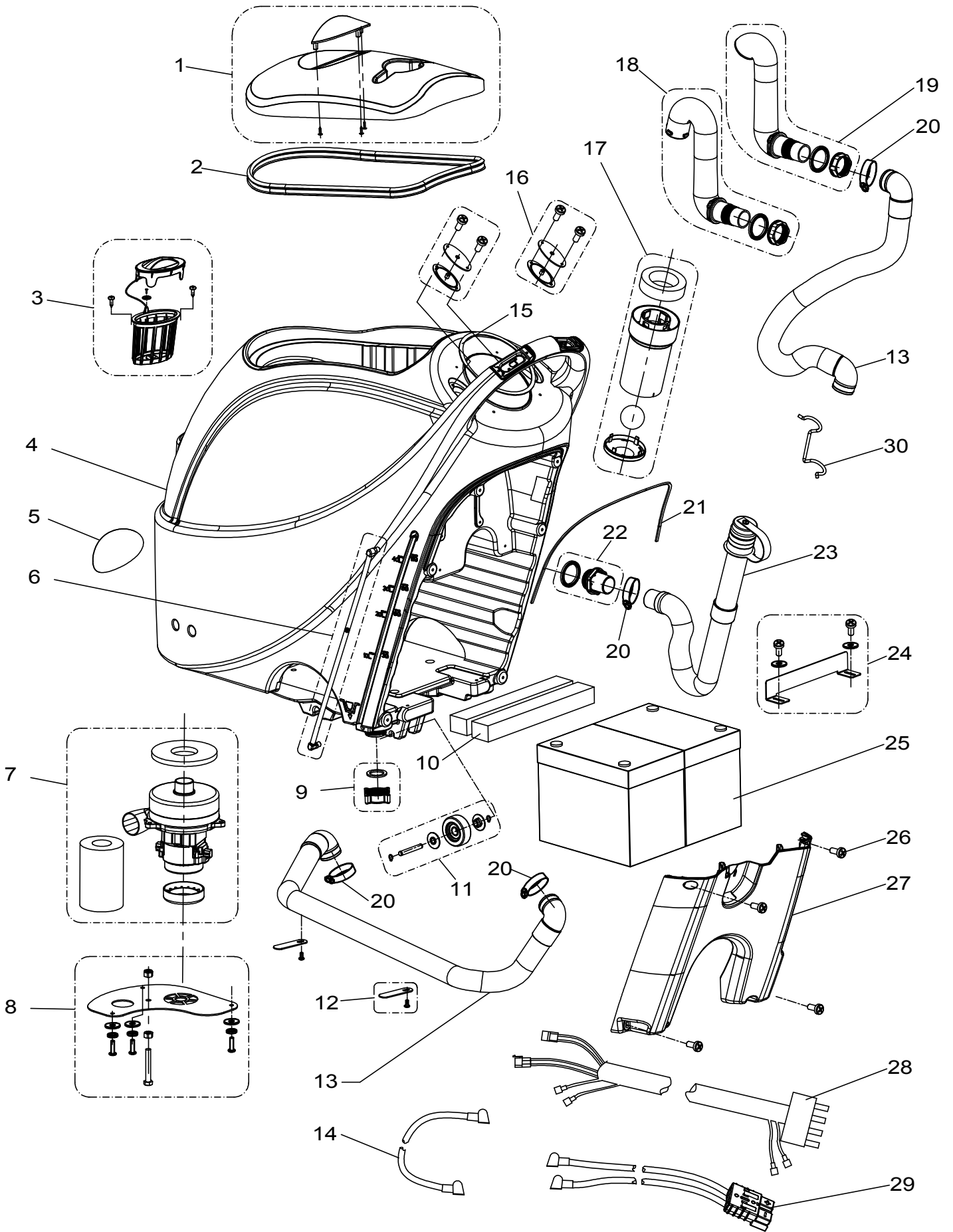
AS430B/AS510B PART LIST

Item	Description	Qty
1	COVER TANK ASSEMBLY	1
2	TANK ASSEMBLY	1
3	SUCTION PUMP SYSTEM	1
4A	17"BRUSH SYSTEM	1
5B	20"BRUSH SYSTEM	1
6	SWITCH PANEL ASSEMBLY	1
7	SAFETY SWITCH ASSEMBLY	1
8	CHARGER	1
9	CONTROL PANEL BOARD	1
10	BATTERY ASSEMBLY	1
11	CONTROL PANEL SYSTEM	1
12	SOLUTION SYSTEM	1
13	WHEEL ASSEMBY	1
14A	17"SQUEEGEE SYSTEM	1
15B	20"SQUEEGEE SYSTEM	1

A = Only for AS430B

B = Only for AS510B

TANK SYSTEM
AS430B / AS510B PART LIST



TANK SYSTEM

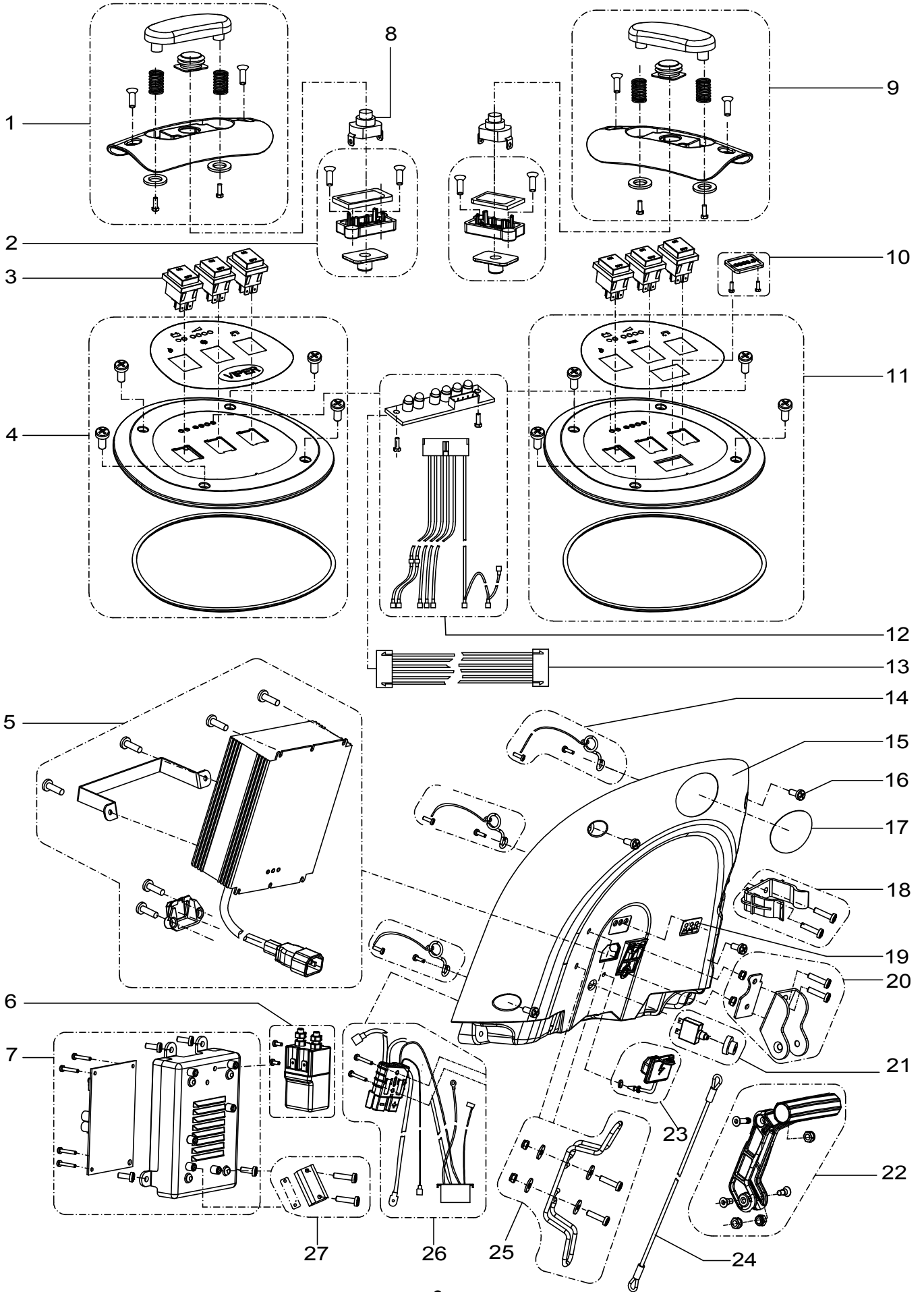
AS430B/AS510B PART LIST

Item	Part No.	Description	Qty
1	VF90535	RECOVERY TANK KIT	1
2	VF90504	GASKET	1
3	VF90619	TANK FILTER NET KIT	1
4	VF90501	TANK (BATTERY MODLE)	1
5	VF90011	LOGO LABEL	1
6	VF90622	WATER LEVEL KIT	1
7	VF90293	VACUUM MOTOR KIT	1
8	VF90264	VACUUM MOTOR COVER KIT	1
9	VF90536	OUTLET COVER KIT	1
10	VF90533	BATTERY SPACER PANEL	2
11	VF90312	2.5" WHEEL KIT	1
12	VF90537	FIX PANEL KIT	1
13	VF90508	SUCTION HOSE	2
14	VF90246	BATTERY CABLE	1
15	VF90231	GASKET	1
16	VF90265	SEAL PLATE KIT	2
17	VF90534	FLOAT KIT	1
18	VF90538	SUCTION TUBE CONNECTER KIT	1
19	VF90539	DISCHARGE SEWAGE HOSE KIT	1
20	VV10113	CLAMP 2"	4
21	VF90218	CONTROL SEAL GASKET	1
22	VF90446	DRAIN HOSE CONNECTER KIT	1
23	VF90443	DRAIN HOSE-38	1
24	VF90540	BATTERY BRACKET KIT	1
25A	N/A	BATTERY 12V 85Ah/20h AGM	2
25B	N/A	BATTERY 12V 105Ah/20h AGM	2
26	GT13054	SCREW TM5x12	4
27	VF90206	BATTERY COVER	1
28	VF90254	MOTOR CABLE ASSEMBLE	1
29	VF90247	POWER CABLE	1
30	VF83150	CLAMP,HOSE	1

A = Only for AS430B

B = Only for AS510B

**CONTROL SYSTEM AND ELECTRICAL SYSTEM
AS430B / AS510B PART LIST**



CONTROL SYSTEM AND ELECTRICAL SYSTEM

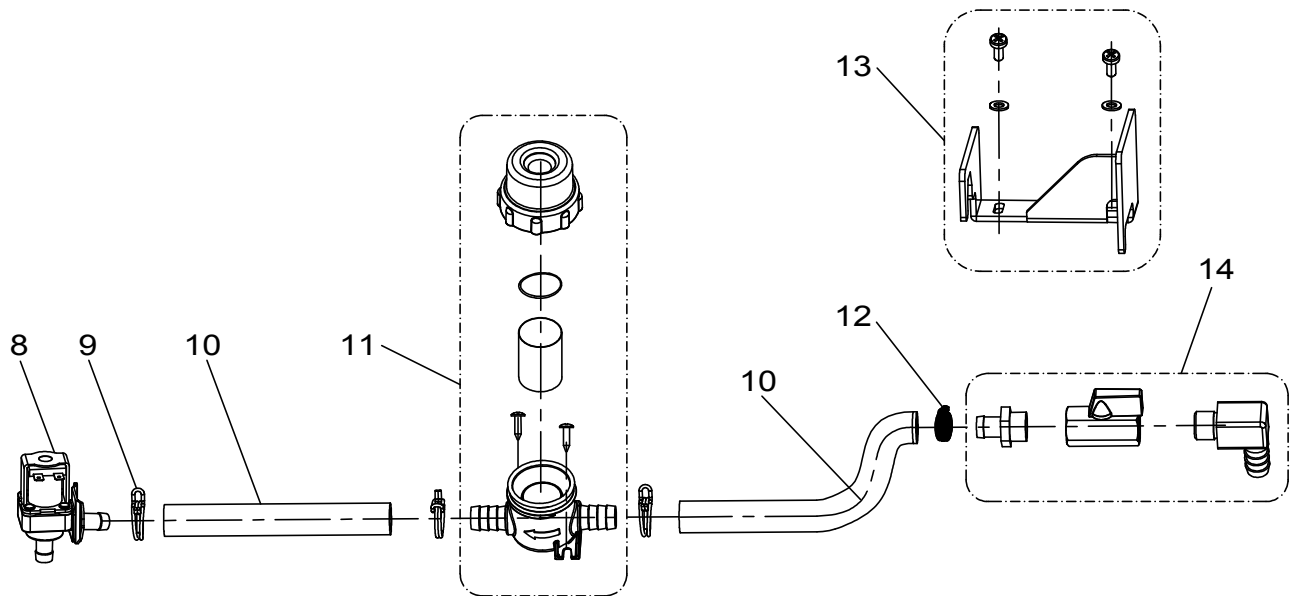
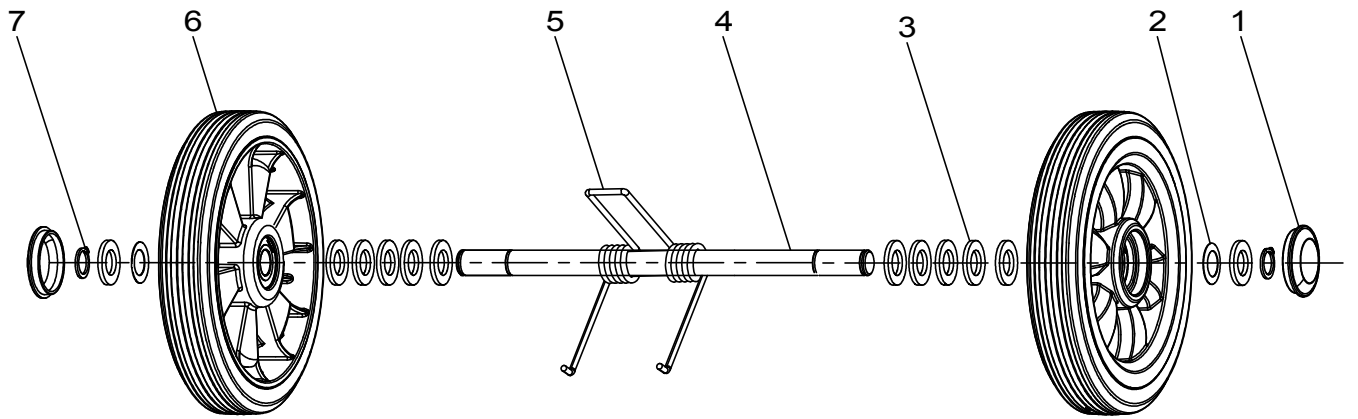
AS430B/AS510B PART LIST

Item	Part No.	Description	Qty
1	VF90266	SAFETY SWITCH KNOB LEFT KIT	1
2	VF90268	SWITCH FIX FRAME KIT	2
3	VV60153	SWITCH RL2(P)	3
4A	VF90269	17" SWITCH COVER KIT	1
5	VF90271-EU	CHARGER KIT	1
	VF90271-UK	CHARGER KIT	1
6	VF90292	ELECTOMAGNETIC SWITCH KIT	1
7	VF90272	17" CONTROL CIRCUIT BOARD KIT	1
8	VF90252	SWITCH	2
9	VF90267	SAFETY SWITCH KNOB LEFT KIT	1
10	VF90291	HOUR METER KIT	1
11B	VF90270	20" SWITCH COVER KIT	1
12A	VF90290	17"LED BOARD CONNENTER CABLE KIT	1
12B	VF90290-1	20"LED BOARD CONNENTER CABLE KIT	
13	VF90238-3	CONTROL PANEL CONNENTER CABLE	1
14	VF90274	NYLON CABLE HOOK KIT	3
15	VF90205	COVER CONTROL HOUSING	1
16	GT13054	SCREW TM5x12	4
17A	VF90003-EU	17" SERIAL NUMBER LABEL	1
	VF90003-UK	17" SERIAL NUMBER LABEL	1
17B	VF90007-EU	20" SERIAL NUMBER LABEL	1
	VF90007-UK	20" SERIAL NUMBER LABEL	1
18	VF90275	CLAMP DRAIN HOSE KIT	1
19	VF90004	LABEL BATTERY LEVEL	1
20	VF90276	HAND BRACKET KIT	1
21	VF90278	CIRCUIT BREAKER KIT	1
22	VF90277	HANDLE LIFT KIT	1
23	VF90279	POWER SAFETY COVER KIT	1
24	VF90114	CABLE SQUEEGEE LIFT	1
25	VF90280	CABLE SUPPORT KIT	1
26	VF90281	MAIN CABLE KIT	1
27	VF90289	FUSE KIT	1

A = Only for AS430B

B = Only for AS510B

WHEELS AND SOLUTION SYSTEM AS430B / AS510B PART LIST

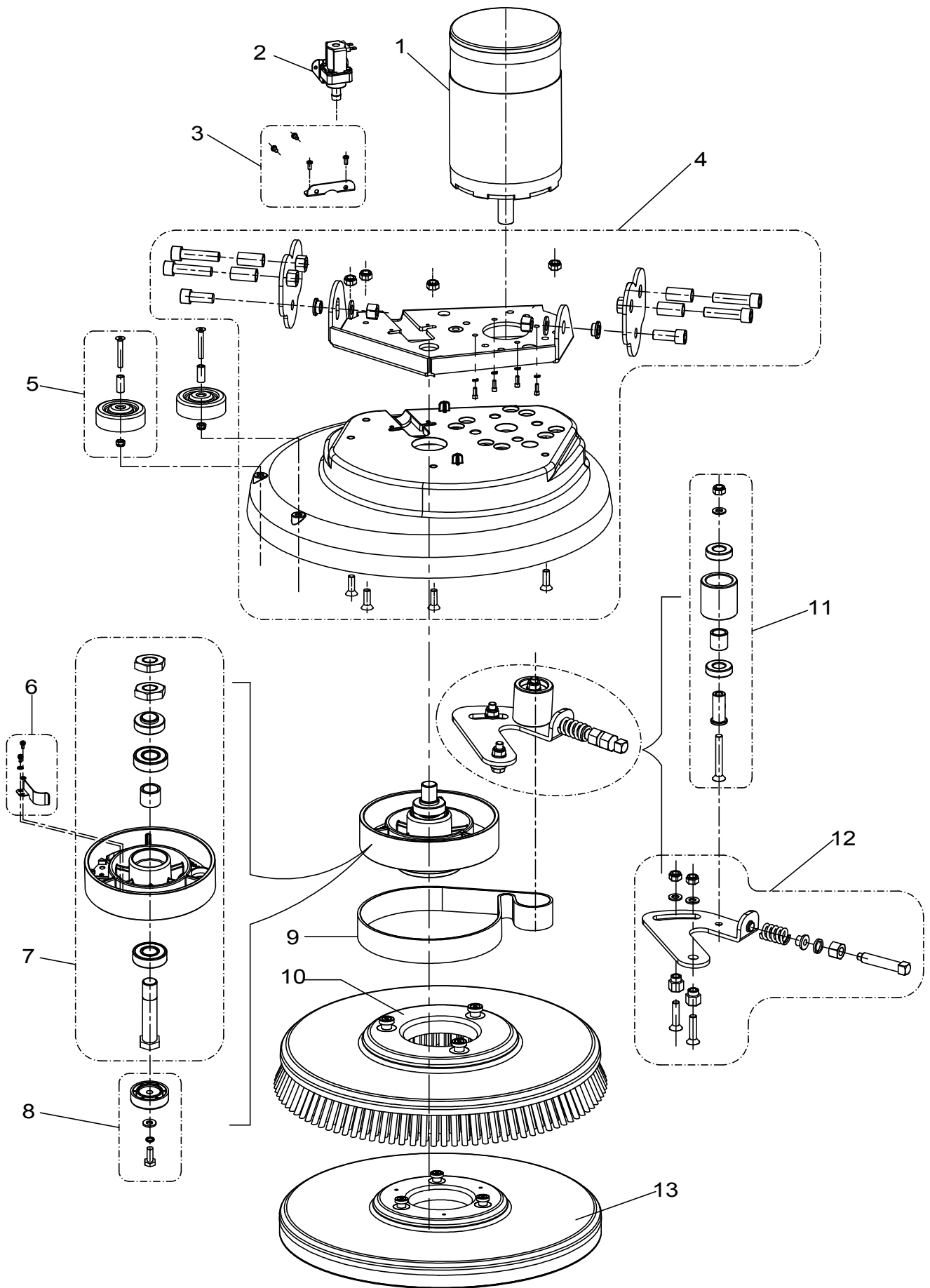


WHEELS AND SOLUTION SYSTEM

AS430B/AS510B PART LIST

Item	Part No.	Description	Qty
1	VF89203	WHEEL COVER	2
2	VF14563	LEVILLE WASHER	2
3	VF14554	WHASHER	12
4	VF90304	WHEEL SHAFT	1
5	VF82172	SPRING 70°	1
6	VF90305	8" WHEEL	2
7	VF14552	RING D 17	2
8	VF90282	SOLENOID VALVE KIT	1
9	VF82148	CLAMP,HOSE	3
10	MAIN69A	TUBING	2
11	VF90621	FILTER KIT	1
12	VV10114	CLAMP	1
13	VF90623	SOLENOID VALVE BRACKET KIT	1
14	VF90624	BALL VALVE KIT	1

BRUSH SYSTEM AS430B /AS510B PART LIST



BRUSH SYSTEM

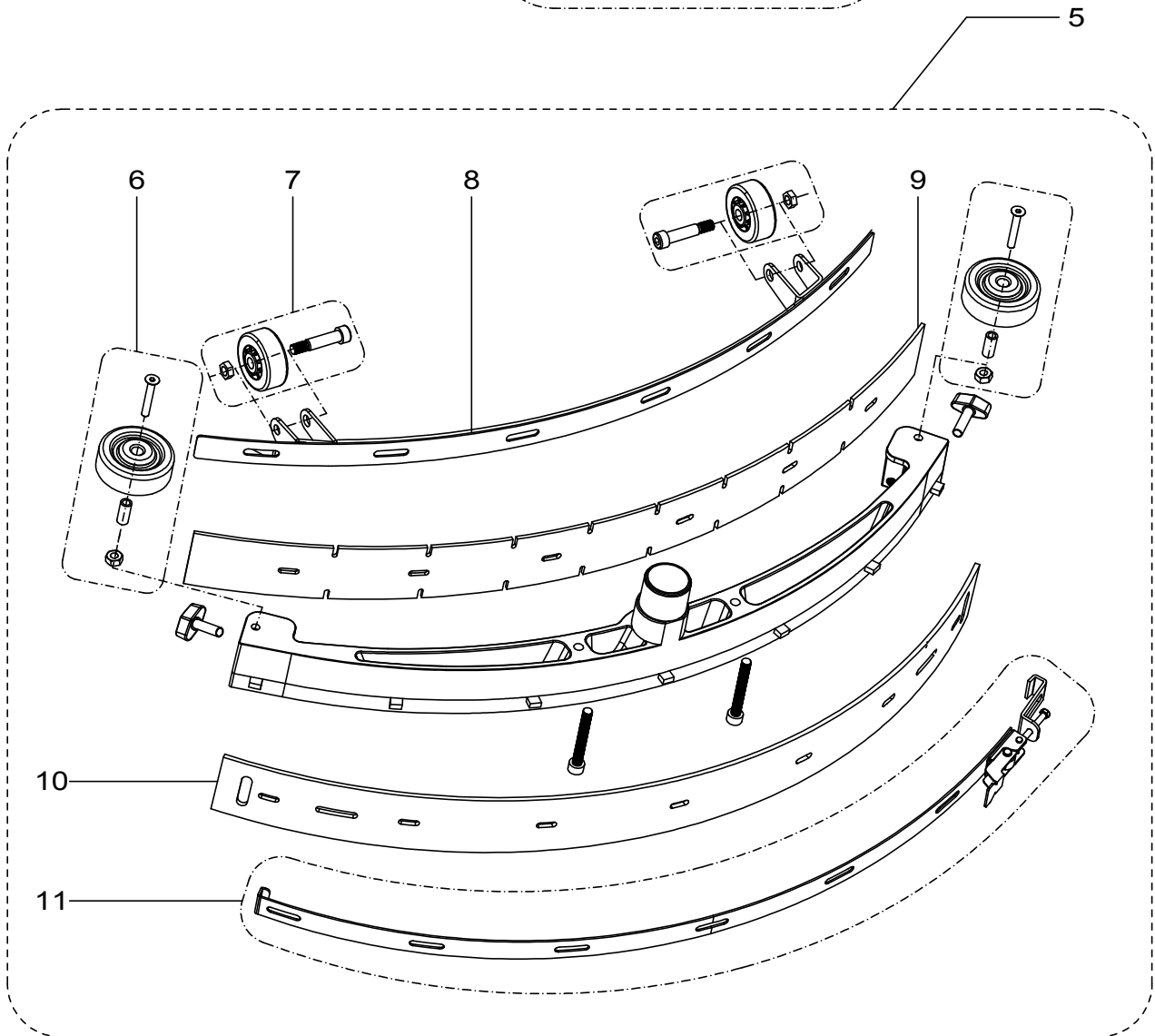
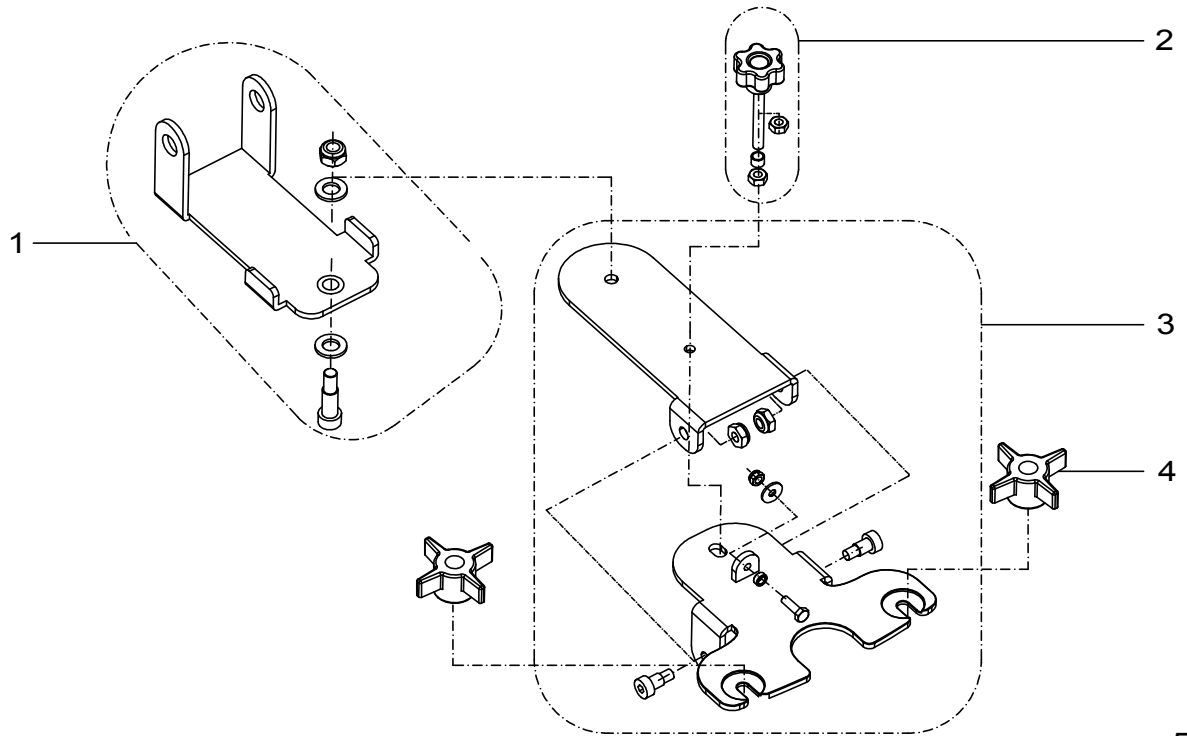
AS430B/AS510B PART LIST

Item	Part No.	Description	Qty
1A	VF90256EU	17" BRUSH MOTOR KIT	1
1B	VF90257EU	20" BRUSH MOTOR KIT	1
2	VF90282	SOLENOID VALVE KIT	1
3	VF90447	SOLENOID VALVE BRACKET KIT	1
4A	VF90448	17" BRUSH SUPPORT KIT	1
4B	VF90449	20" BRUSH SUPPORT KIT	1
5	VF90137	BUMPER ROLLER KIT	1
6	VF90450	BRUSH SPRING CLIP KIT	1
7	VF90444	DRIVEN PULLEY KIT	1
8	VF90451	VIBRATION GASKET KIT	1
9	VF90408	BELT	1
10A	VF90411	17"BRUSH	1
10B	VF90417	20"BRUSH	1
11	VF90445	TENSION WHEEL KIT	1
12	VF90452	ROD, TENSION WHEEL KIT	1
13A	VF90428	17" PAD	1
13B	VF90416	20" PAD	1

A = Only for AS430B

B = Only for AS510B

SQUEEGEE SYSTEM
AS430B / AS510B PART LIST



SQUEEGEE SYSTEM
AS430B/AS510B PART LIST

Item	Part No.	Description	Qty
1	VF90140	FRONT-SQUEEGEE-SUPPORT KIT	1
2	VF90141	HAND WHEEL KIT	1
3	VF90142	BACK-SQUEEGEE-SUPPORT KIT	1
4	VF81210	KNOB	2
5A	VF90134	17" SQUEEGEE KIT	1
5B	VF90135	20" SQUEEGEE KIT	1
6	VF90137	BUMPER ROLLER KIT	2
7	VF90136	SQUEEGEE ROLL WHEEL KIT	2
8A	VF90102	17" STRAP, SQUEEGEE FRONT	1
8B	VF90118	20" STRAP, SQUEEGEE FRONT	1
9A	VF90103	17" BLADE FRONT	1
9B	VF90119	20" BLADE FRONT	1
10A	VF90104	17" BLADE REAR	1
10B	VF90120	20" BLADE REAR	1
11A	VF90138	17" STRAP, SQUEEGEE BACK KIT	1
11B	VF90139	20" STRAP, SQUEEGEE BACK KIT	1

A = Only for AS430B

B = Only for AS510B

WEAR AND TEAR PARTS
AS430B/AS510B PART LIST

Item	Part No.	Description	Qty
1	VF90504	GASKET	1
2	VF90619	TANK FILTER NET KIT	1
3	VF90263	VACUUM MOTOR KIT	1
4	VF90536	OUTLET COVER KIT	1
5	VF90312	2.5" WHEEL KIT	1
6	VF90508	SUCTION HOSE	2
7	VF90534	FLOAT KIT	1
8	VF90443	DRAIN HOSE-38	1
9	VF90254	MOTOR CABLE ASSEMBLE	1
10	VF90247	POWER CABLE	1
11	VV60153	SWITCH RL2 (P)	3
12	VF90271-EU	CHARGER KIT	1
	VF90271-UK	CHARGER KIT	1
13	VF90272	17" CONTROL PANEL BOARD KIT	1
14	VF90252	SWITCH	2
15	VF90290	LED BOARD CONNENTER CABLE KIT	1
16	VF90278	CIRCUIT BREAKER KIT	1
17	VF90114	CABLE SQUEEGEE LIFT	1
18	VF90281	MAIN CABLE KIT	1
19	VF90289	FUSE KIT	1
20	VF90305	8" WHEEL	2
21	VF90282	SOLENOID VALVE 24V	1
22	VF90621	FILTER KIT	1
23	VF90624	BALL VALVE KIT	1
24A	VF90256EU	17" BRUSH MOTOR KIT	1
24B	VF90257EU	20" BRUSH MOTOR KIT	1
25	VF90137	BUMPER ROLLER KIT	1
26	VF90450	BRUSH SPRING CLIP KIT	1
27	VF90444	DRIVEN PULLEY KIT	1
28	VF90408	BELT	1
29A	VF90411	17"BRUSH	1
29B	VF90417	20"BRUSH	1
30	VF90141	HAND WHEEL KIT	1
31	VF81210	KNOB	2
32	VF90137	BUMPER ROLLER KIT	2
33	VF90136	SQUEEGEE ROLL WHEEL KIT	2

A = Only for AS430B

B = Only for AS510B

WEAR AND TEAR PARTS
AS430B/AS510B PART LIST

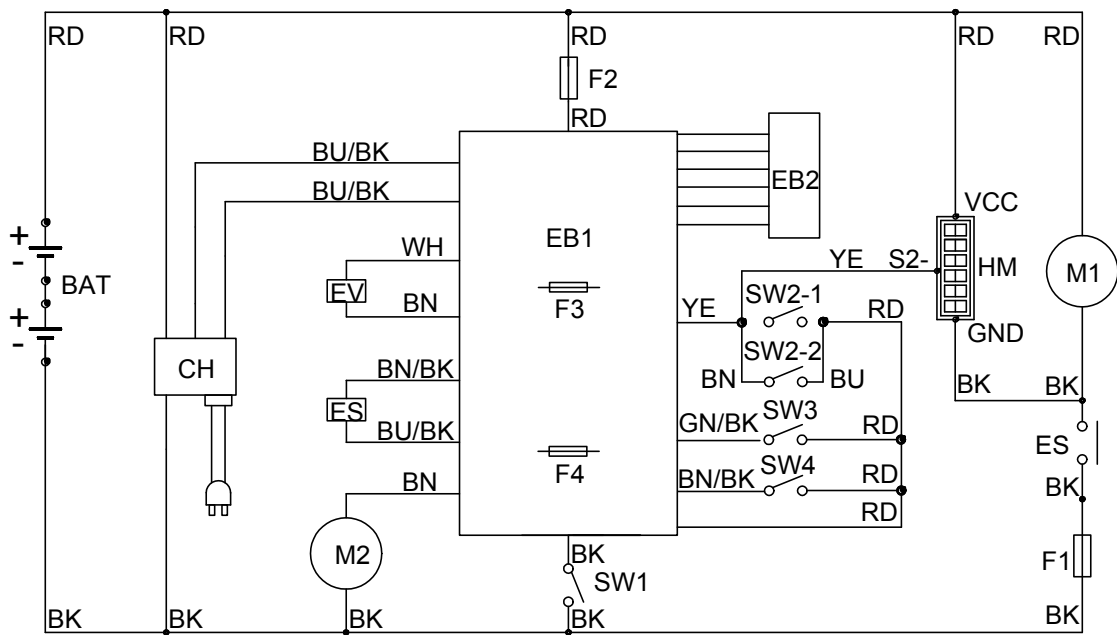
Item	Part No.	Description	Qty
34A	VF90103	17" BLADE FRONT	1
34B	VF90119	20" BLADE FRONT	1
35A	VF90104	17" BLADE REAR	1
35B	VF90120	20" BLADE REAR	1
13A	VF90428	17" PAD	1
13B	VF90416	20" PAD	1

A = Only for AS430B

B = Only for AS510B

WIRING DIAGRAM

AS430B/AS510B PART LIST



Key	CODE	Description
BAT	N/A	BATTERY
CH	VF90227-EU VF90227-UK	CHARGER CHARGER
EB1	VF90238	CONTROL CIRCUIT BOARD
EB2	VF90238-2	LED BOARD
ES	VF90230	CONTACTOR
EV	VF90282	SOLENOID VALVE
F1	VF90261	BRUSH MOTOR FUSE
F2	ZD48320	VACUUM MOTOR FUSE
M1 A	VF90256EU	17" BRUSH MOTOR
M1 B	VF90257EU	20" BRUSH MOTOR
M2	VF90520	VACUUM MOTOR
SW1	VV60153	POWER SWITCH
SW2	VF90252	BRUSH MOTOR SWITCH
SW3	VV60153	VACUUM MOTOR SWITCH
SW4	VV60153	SOLENOID VALVE SWITCH
HM B	VF90287	HOUR METER

COLORS CODES

RD: Red	BN: Brown	BU/BK : Blue /Black
BU: Blue	YE: Yellow	GN/BK: Green/Black
BK: Black	WH: White	BN/BK: Brown/Black

A = Only for AS430B

B = Only for AS510B



Company information:
www.vipercleaning.eu
info-eu@vipercleaning.com