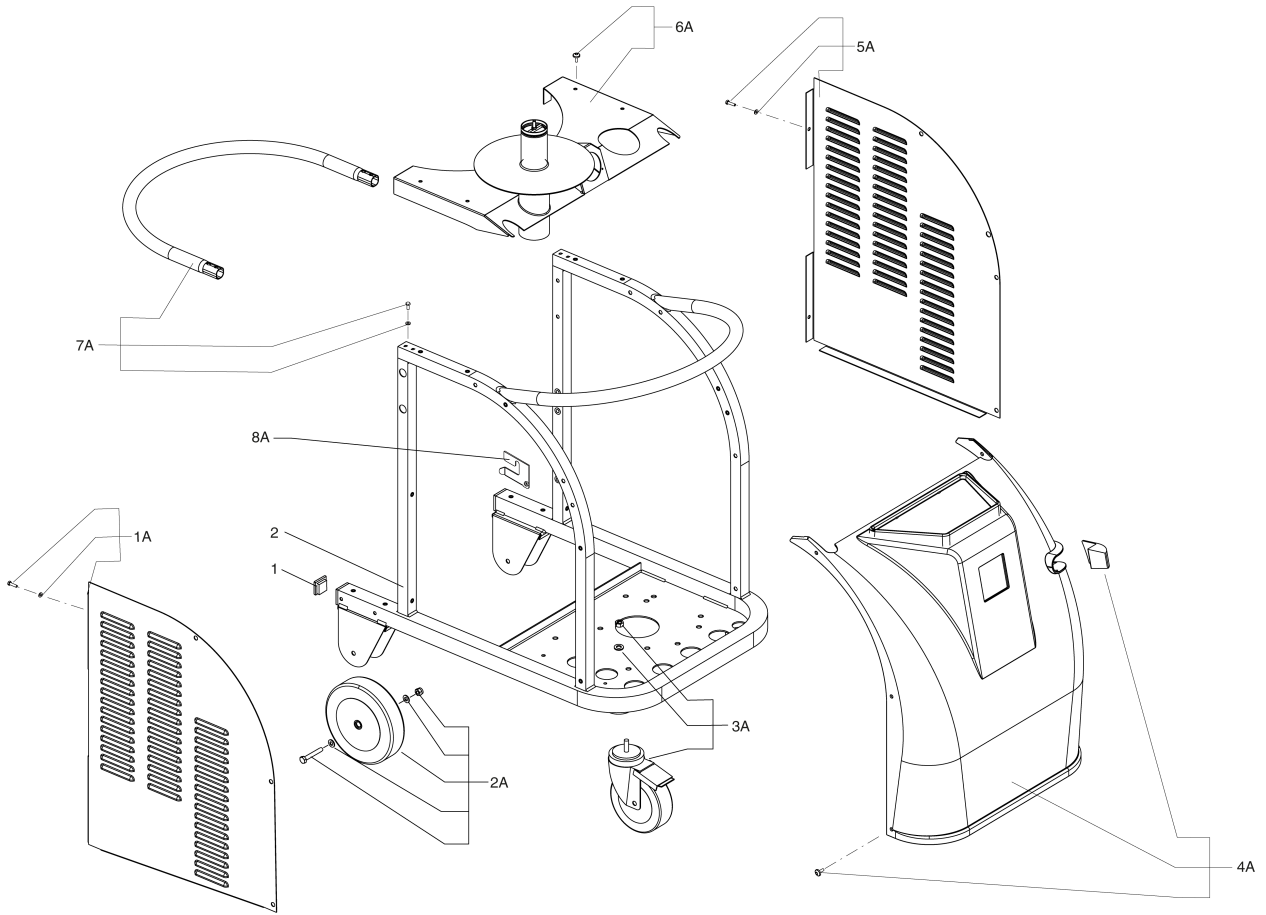


PARTS LIST

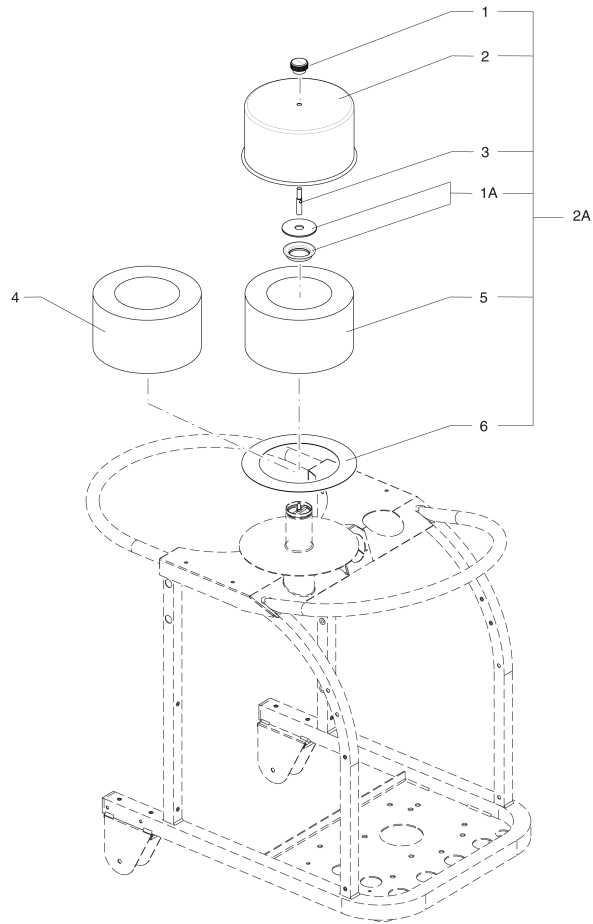
2022.12.13

TABLE OF CONTENTS

L130 - 1 - CAR	1
L130 - 2 - CAR	3
L130 - 3 - CONTAINER UNIT	5
L130 - 4 - CONTAINER UNIT	7
L130 - 5 - FILTER GROUP	9
L130 - 6 - SHAKER UNIT	11
L130 - 7 - CARTRIDGE FILTER	13
L130 - 8 - SUCTION UNIT	15
L130 - 9 - CYCLON KIT	17
L130 - 10 - GRID GROUP	19
L130 - 11 - CAPACITIVE GROUP	21
L130 - 12 - Z22 ELECTRIC SYSTEM	23
L130 - 13 - Z2 ELECTRIC SYSTEM	25
L130 - 14 - C ELECTRIC SYSTEM	27
L130 - 15 - IMMERSION SEPARATOR	29



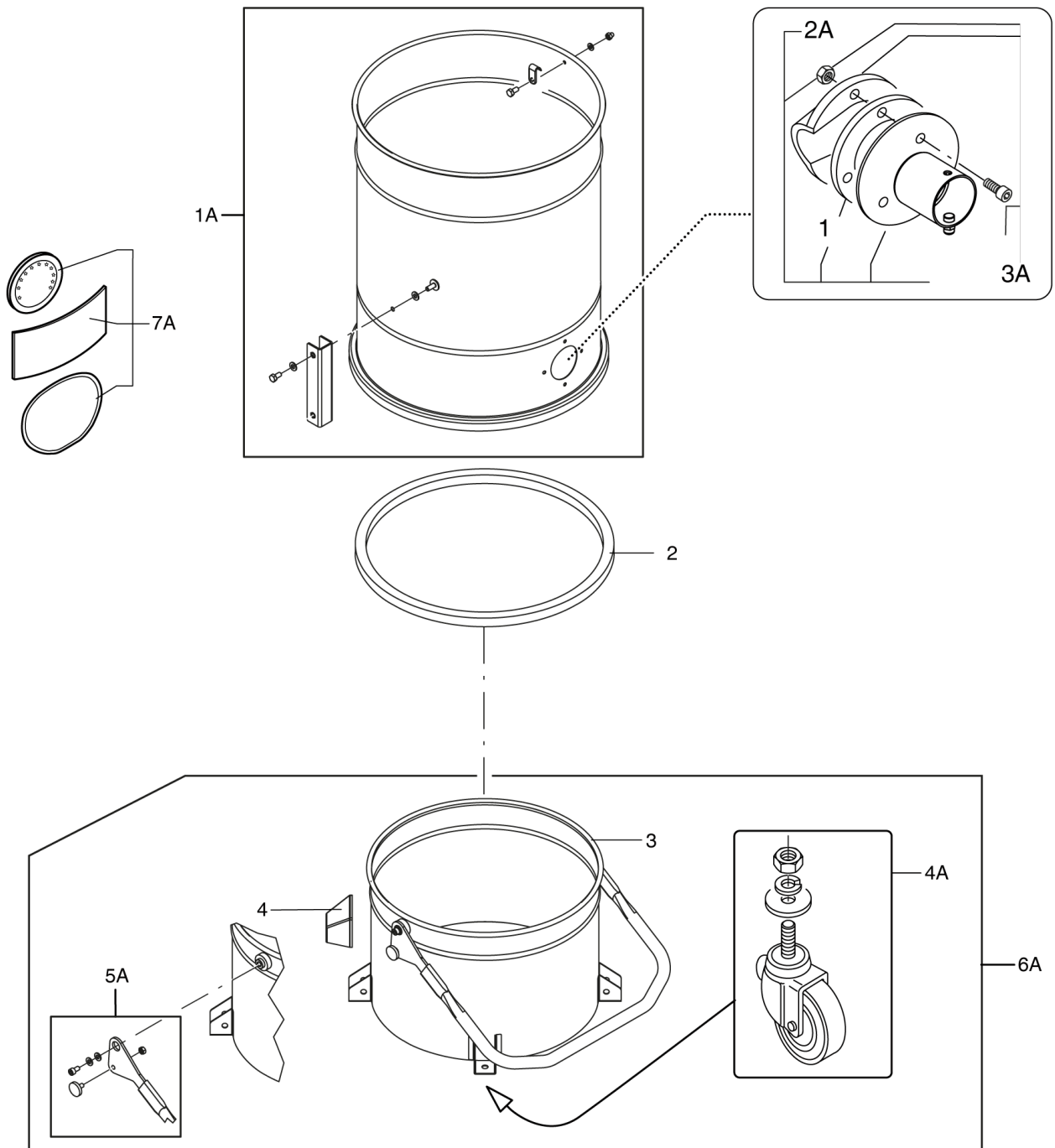
Pos.	Artikel-Nr.	Menge	Variante	Notes
1	Z8 40035	2	Endstück PVC D 40 x 40 m	
2	4083601027	1	TROLLEY MOD.CTS	
1A	4089101093	1	LEFT PANEL KIT MOD. CTS 2021	
2A	4089100190	1	D.200 FIX ANTISTATIC CASTOR KIT	
3A	40000405	1	KIT ANTIST. REVOLV. CASTOR ATEX D150	
4A	4089101095	1	COVER KIT MOD. CTS 2021	
4A	4081601323	1	ATEX ENGINE HOOD MOD.CTS	
5A	4089101094	1	RIGHT PANEL KIT MOD. CTS 2021	
6A	4089101096	1	UPPER COVER KIT MOD. CTS	
6A	4081601328	1	I.C. UPPER COVER MOD.CTS	
7A	4089101105	1	HANDLE KIT MOS. CTS	
8A	4089101106	1	SUPPORT FOR CONTAINER KIT MOD.CTS	



Pos.	Artikel-Nr.	Menge	Variante	Notes
1	4084001146	1	Sterngriff ohne Loch	
2	4083001039	1	DIFFUSER CONTAINER D250X142 R7001	
3	4081400780	1	FIXING HUB M/F M10/M6FE DIFFUSER CONTVHW	
4	4081701076	1	ABSOLUTE FILTER D220 x 150 H14 VHW	
5	4081701082	1	SOUND-PROOF DIFFUSER VHW420	
6	4081601327	1	SOUNDPROOF FIXING PLATE MOD.CTS	
1A	4056000603	1	KIT CLAPET DOWNSTREAM D50 VHW	[1]
2A	4083001040	1		

Part Notes:

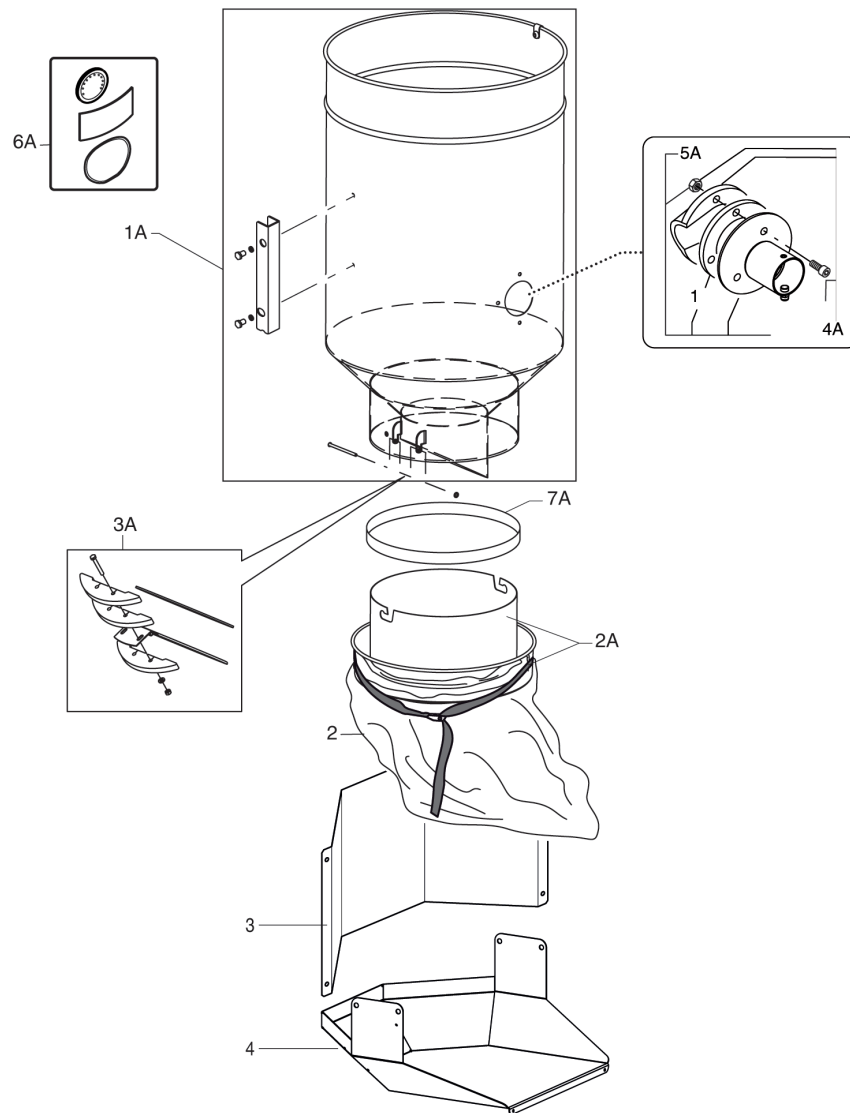
[1] - CONTACT PM IN ZOCCA



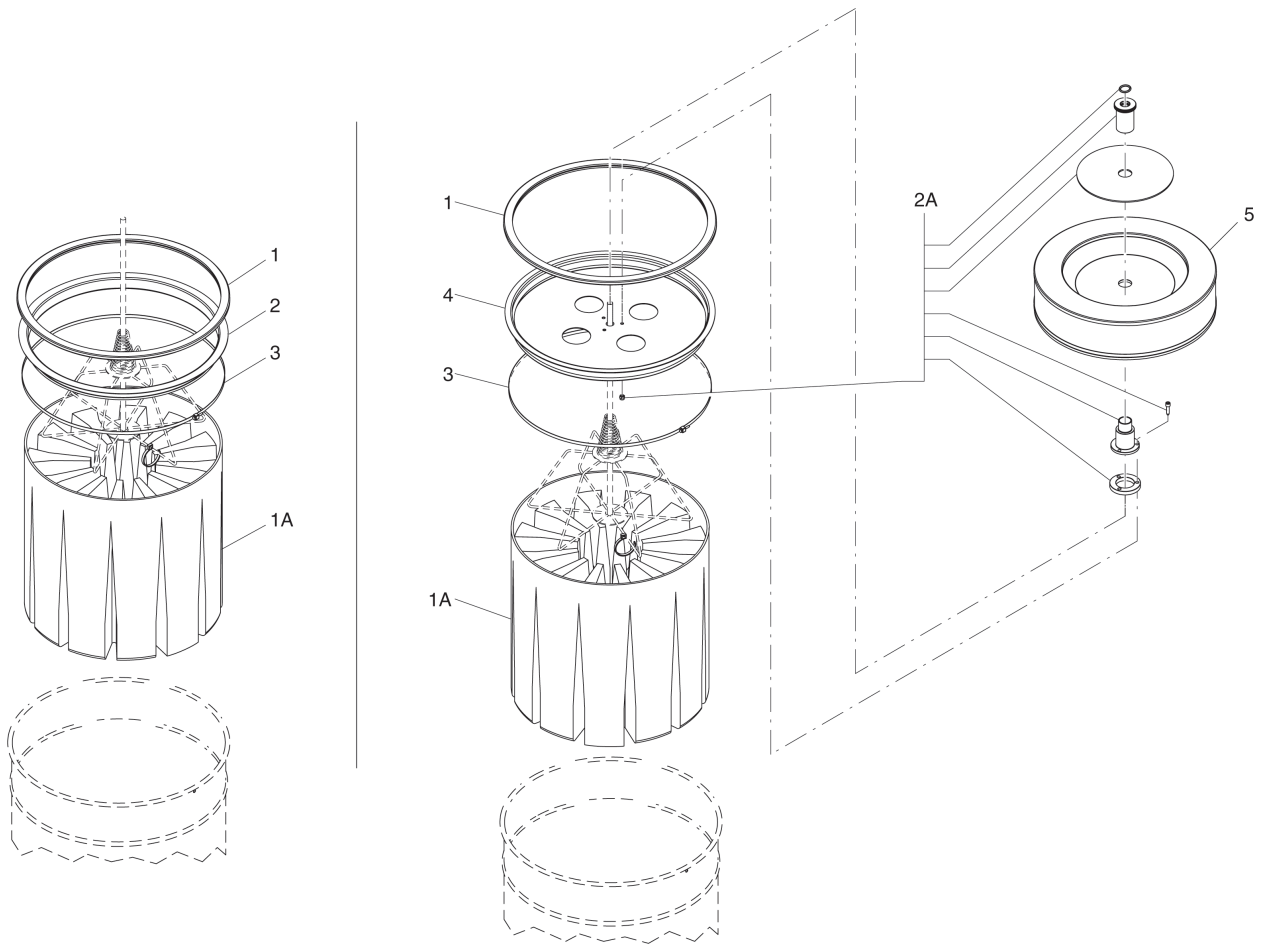
Pos.	Artikel-Nr.	Menge	Variante	Notes
1	Z8 17006	1	Dichtungsring D70	
2	4081701540	1	SEAL 20 X 15 T140 CR MT1.5	
3	4083000506	1	BIN D460 L50xM.S2-S3 FROM 4083000505	[1]
3	4083000509	1	BIN D460 L100 IN SS M.S3	
4	Z8 17021	4	Stossfänger Halter	
1A	4089101097	1	COMPLETE FILTER CHAMBER KIT L50 MOD. CTS	
1A	4089101098	1	COMP.FILTER CHAMBER KIT SS L50 MOD.CTS	
1A	4089101099	1	COMPLETE FILTER CHAMBER KIT L100 MOD.CTS	
2A	4089100929	1	Umrüstsatz D70 auf ATEX kpl.	
3A	40000416	1	KIT DEFLECTOR D70 INOX MOD.A17	
4A	40000484	1	Rad, Edelstahl	
5A	40000879	1	Handgriff Kit	
5A	40000866	1	Griff für Staubkessel 50lt	
6A	4083000507	1	Schmutzbehälter 50L	
6A	4083000510	1	COMPLETE BIN D460 L100 SS	
7A	4089101100	1	STICKERS KIT MOD. CTS LC	

Part Notes:

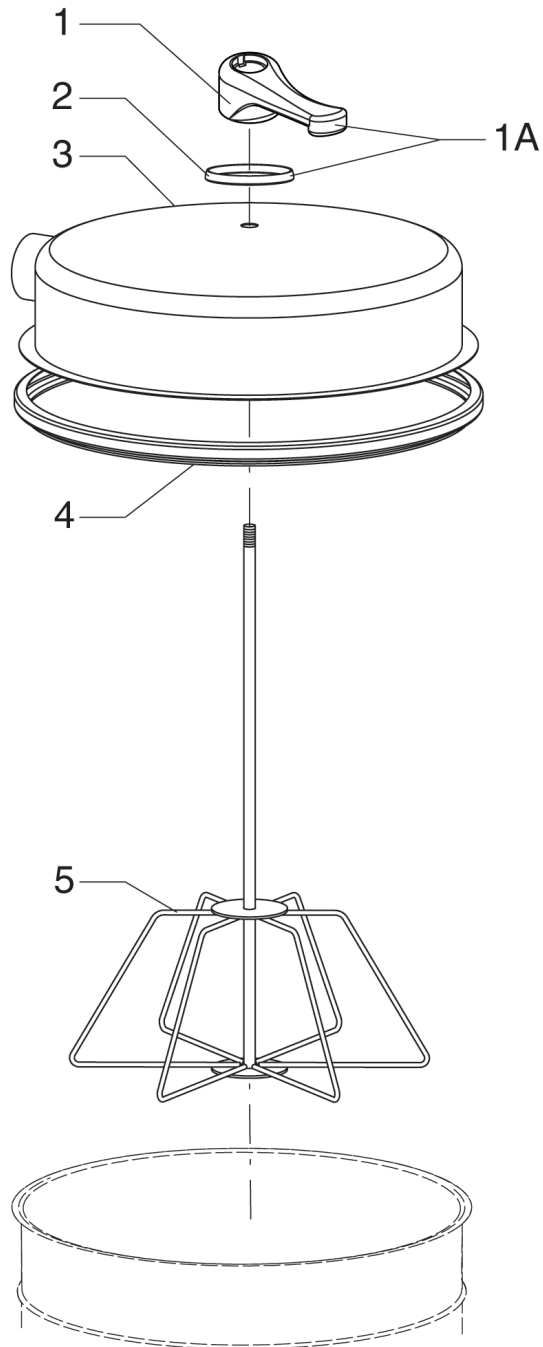
[1] - CONTACT PM IN ZOCCA



Pos.	Artikel-Nr.	Menge	Variante	Notes
1	Z8 17006	1	Dichtungsring D70	
2	4084001470	1	LONGOPAC 4 X 20 M MEGA STRONG PINK ANT.	
3	4081601326	1	SHEET PROTECTION HEAT MOD.CTS	
4	4081801564	1	TRAY LONGOPACK MOD.CTS	
1A	4089101092	1	HOPPER KIT D460X1012 MOD.T40WPLUS	
2A	4089100436	1	BAG HOLDER KIT	
3A	4089100437	1	CLAPET CLOSING KIT	
4A	4089100929	1	Umrüstsatz D70 auf ATEX kpl.	
5A	40000416	1	KIT DEFLECTOR D70 INOX MOD.A17	
6A	4089101101	1	STICKERS KIT MOD. CTS MC	
6A	4089101102	1	STICKERS KIT MOD. CTS HC	
7A	4089100872	1	KIT ADHESIVE SEAL 25X3	



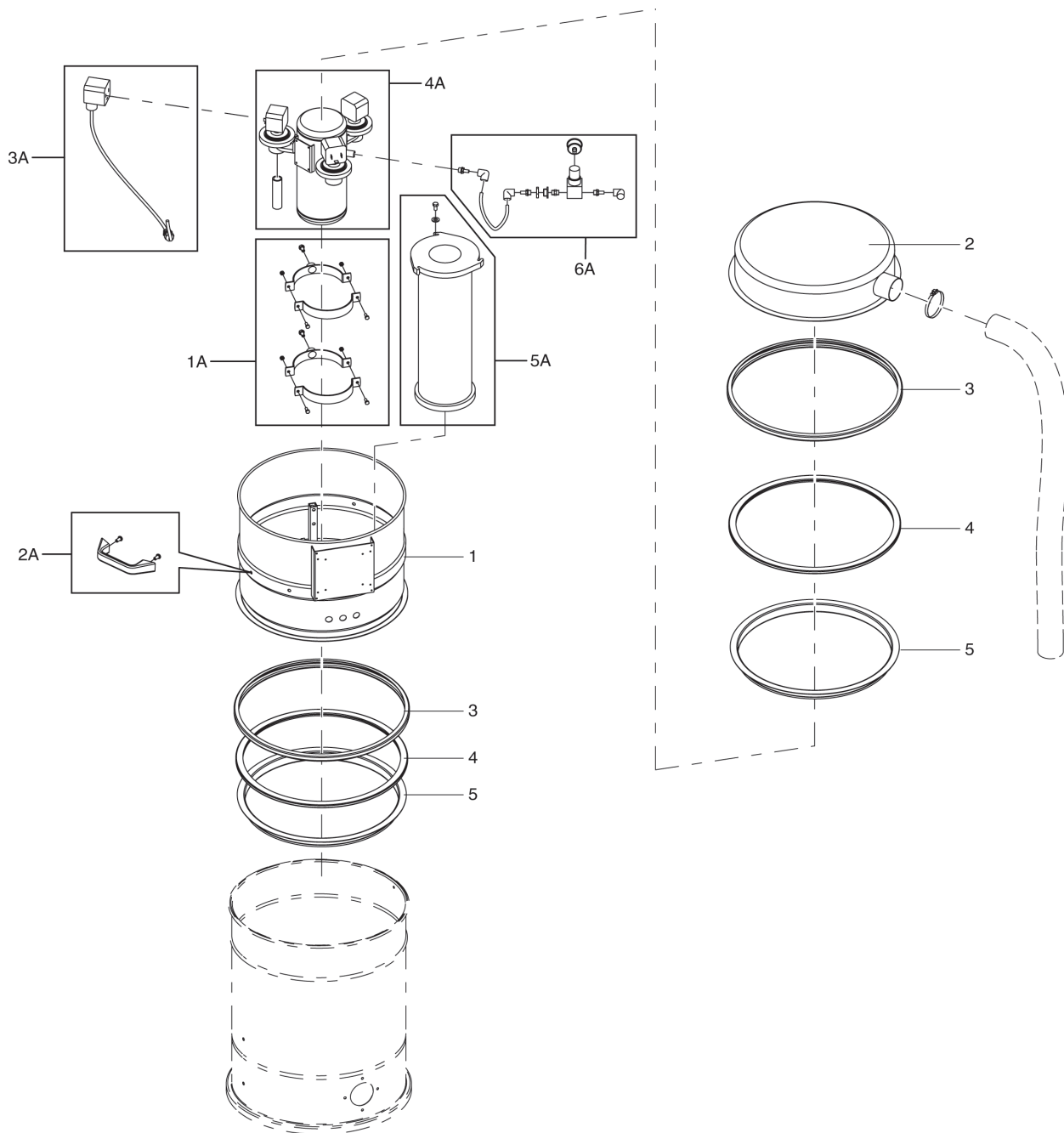
Pos.	Artikel-Nr.	Menge	Variante	Notes
1	Z8 17026	1	Dichtung ¥ 460	
1	Z8 17126	1	Filterringdichtung aus	
2	Z8 15003	1	Ring ¥460	
2	Z8 15010	1	Filterring D460 V2A	
3	Z8 18079	1	Filter Halter ¥ 460	
4	4081500200	1	ABSOLUTE FILTER DISC 3306 FE	
5	4081700935	1	Absolutfilter AU 415 x 100	
1A	40000425	1	Sternfilter Ø460mm Polyester, antistat	
1A	4081701531	1	STAR FILTER 460 ANTIST CAT. M SEALED	
2A	40000897	1	AU-Filter Montage-Kit	



Pos.	Artikel-Nr.	Menge	Variante	Notes
1	4081400910	1		
2	4081601280	1	SUPPORTO PER MANIGLIA SCUOTIFILTRO	
3	4083101749	1	CAPPELLO D460 T30S-MINUS	
4	Z8 36191	1	Spanning	
4	Z8 36355	1	BAND LOCK D460 INOX 3308 COMP. W.BRACKET	[1]
5	4083300476	1	ROTATIONAL FILTER SHAKER CAGE T30S-MINUS	
1A	4089101068	1	ROTATORY FILTER SHAKER LEVER KIT T30S	

Part Notes:

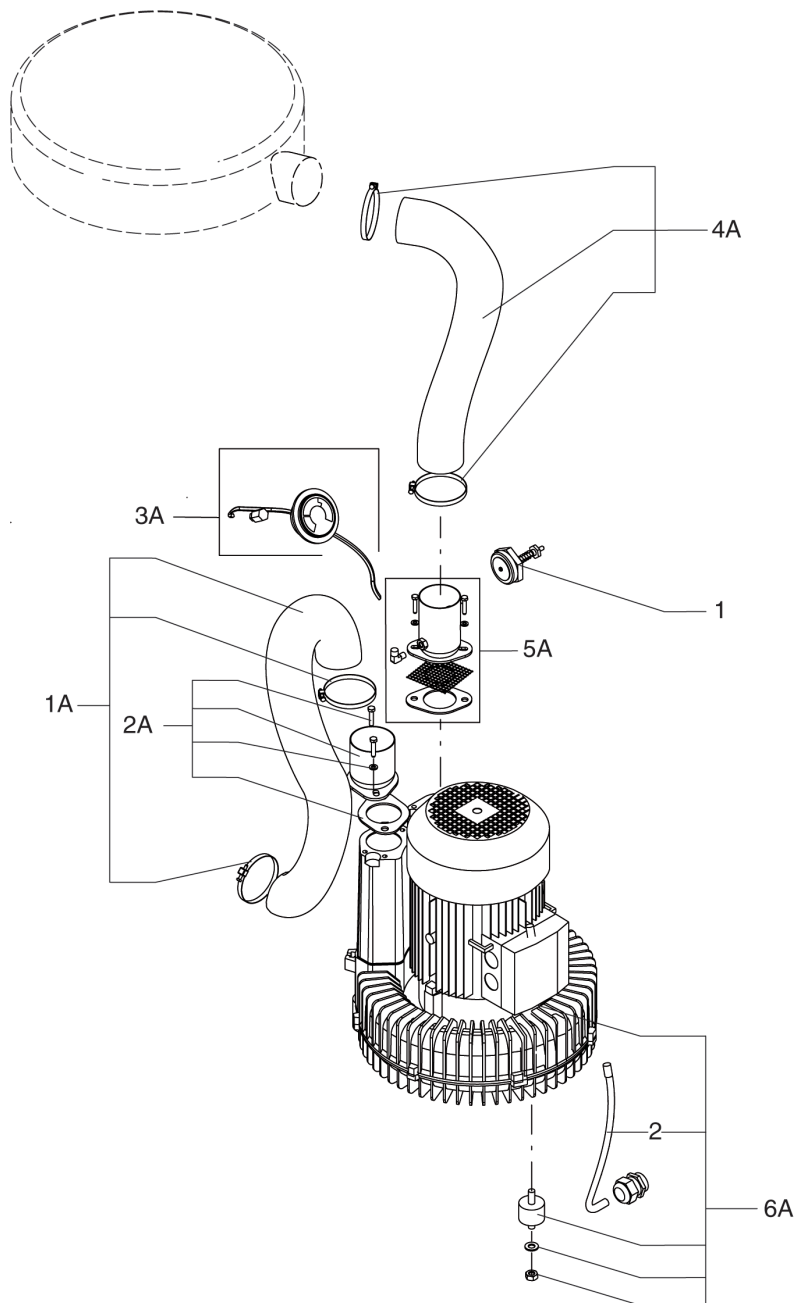
[1] - CONTACT PM IN ZOCCA



Pos.	Artikel-Nr.	Menge	Variante	Notes
1	4083100991	1	D460 CONTAINER CARTRIDGE MODEL CTS-CTT	
2	4083101090	1	CAP. D460 MOD T40WP	
3	Z8 36191	2	Spannring	
4	Z8 17026	2	Dichtung ¥ 460	
5	Z8 15003	2	Ring ¥460	
1A	4089100116	1	D140 COLLAR TANK KIT	[1]
2A	40000423	1	Griffkit	
3A	4089100117	1	CABLE KIT WITH CONNECTOR FOR TANK	[1]
4A	4089100119	1	AIR TANK KIT	[1]
5A	4089100114	3	Patronen-Kit	
6A	4089100121	1	AIR FITTING KIT	

Part Notes:

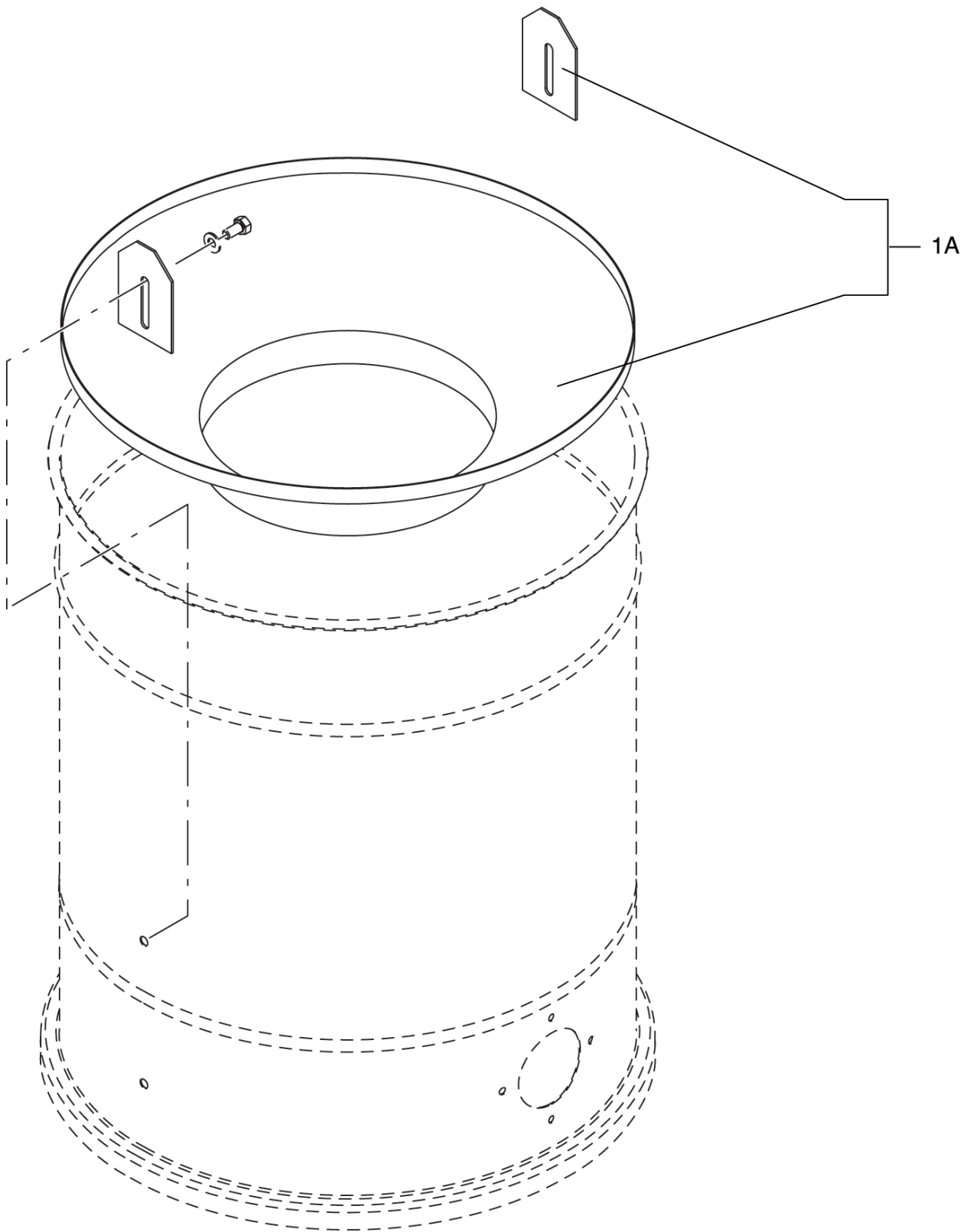
[1] - CONTACT PM IN ZOCCA



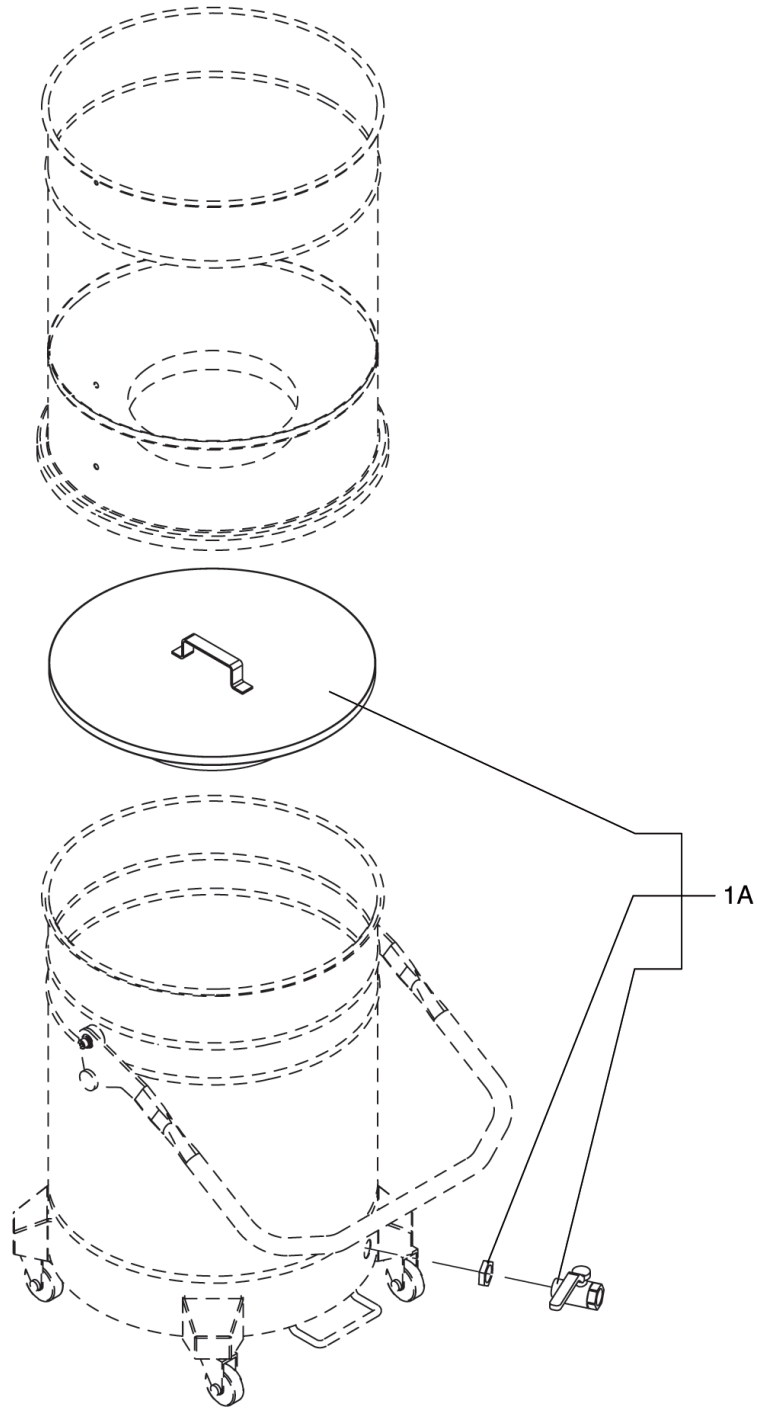
Pos.	Artikel-Nr.	Menge	Variante	Notes
1	Z8 34024	1	Nachsaugventil 1 1/2	
2	Z8 391079	1	Kabel	
1A	4089101050	1	BLOWING HOSE KIT D70 VITON MT0,9	
2A	40000556	1	Flansch D70	
3A	40000555	1	Manometer	
3A	40000309	1	Vakuum-Ausgleichsleitung	
4A	40000730	1	Schlauchkit	
5A	40000724	1	Sauganschlußkit D70	
6A	40000728	1	Absaugeinheit	
6A	4089100191	1	SUCT.UNIT KIT ATEX 2,2KW 230/400-50	[1]
6A	40000722	1	SUCT.UNIT KIT KW4 230/400-60 CTS40/VHW44	
6A	4085500521	1	SBC1630 4 230/400-50 IE3 3GD	

Part Notes:

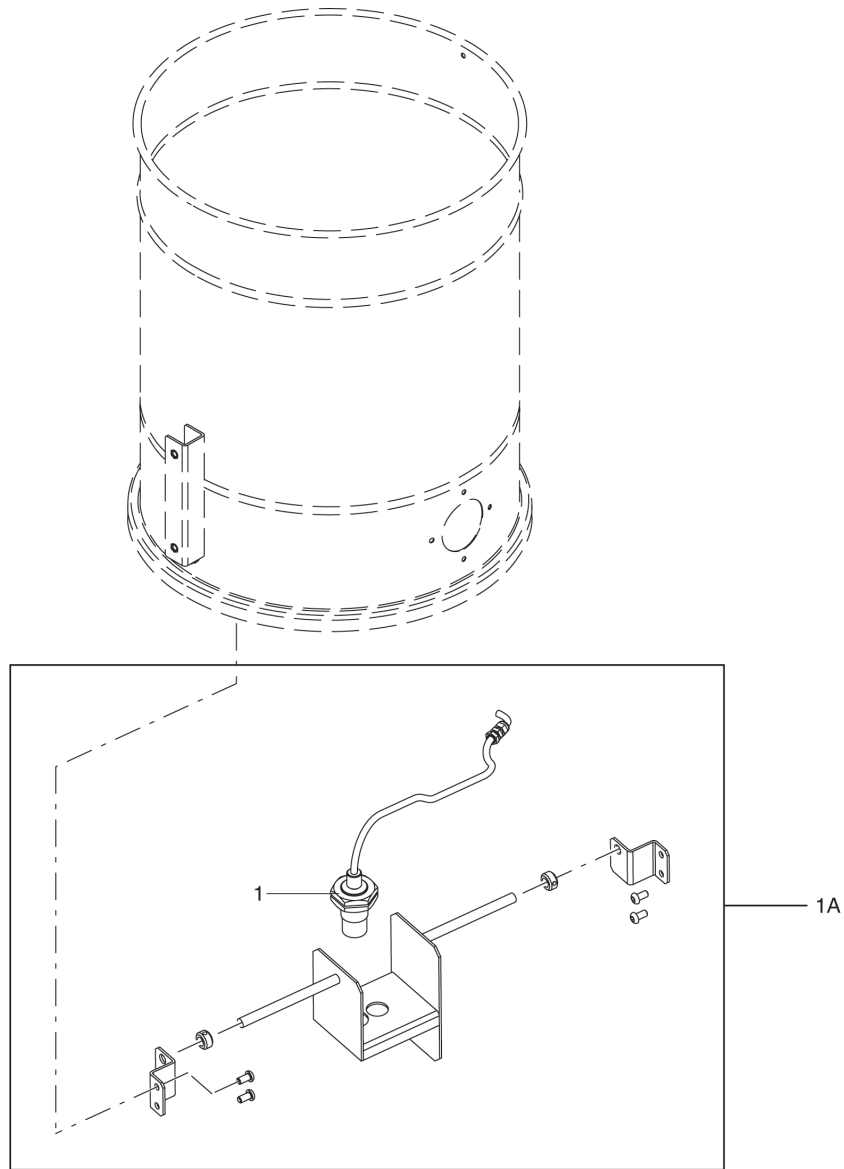
[1] - CONTACT PM IN ZOCCA



Pos.	Artikel-Nr.	Menge	Variante	Notes
1A	Z5 60116	1	Zyklon und Halteklammern Ø460; VA	



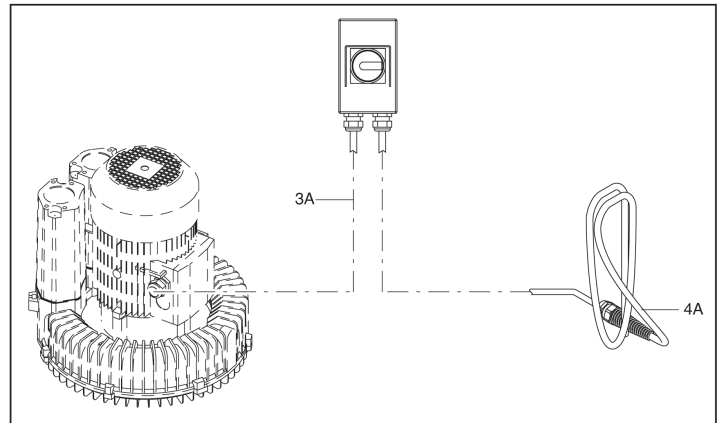
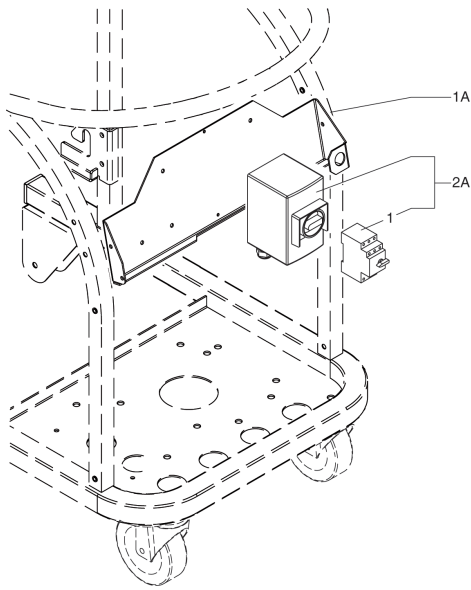
Pos.	Artikel-Nr.	Menge	Variante	Notes
1A	Z5 60036	1	Spänesieb mit Ablasshahn Ø460; VA	



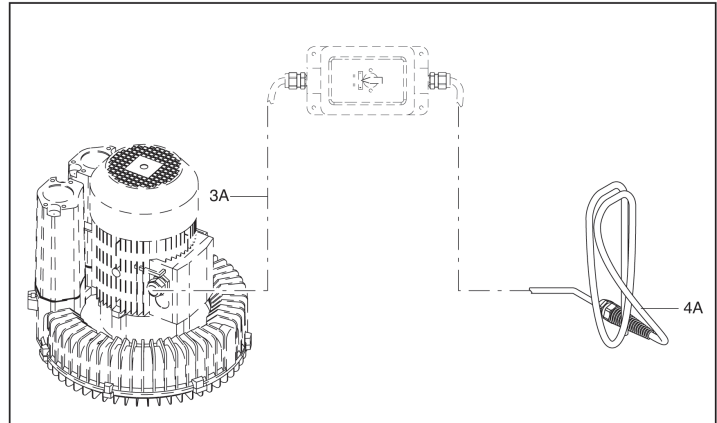
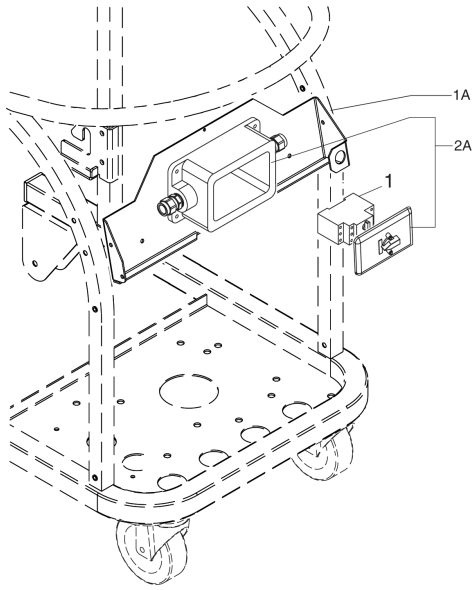
Pos.	Artikel-Nr.	Menge	Variante	Notes
1	Z58 391278	1	CAPACITIVE SENSOR M32 PA NO-NC	[1]
1A	4089100124	1	CAPACITIVE SOLIDE SENSOR KIT	

Part Notes:

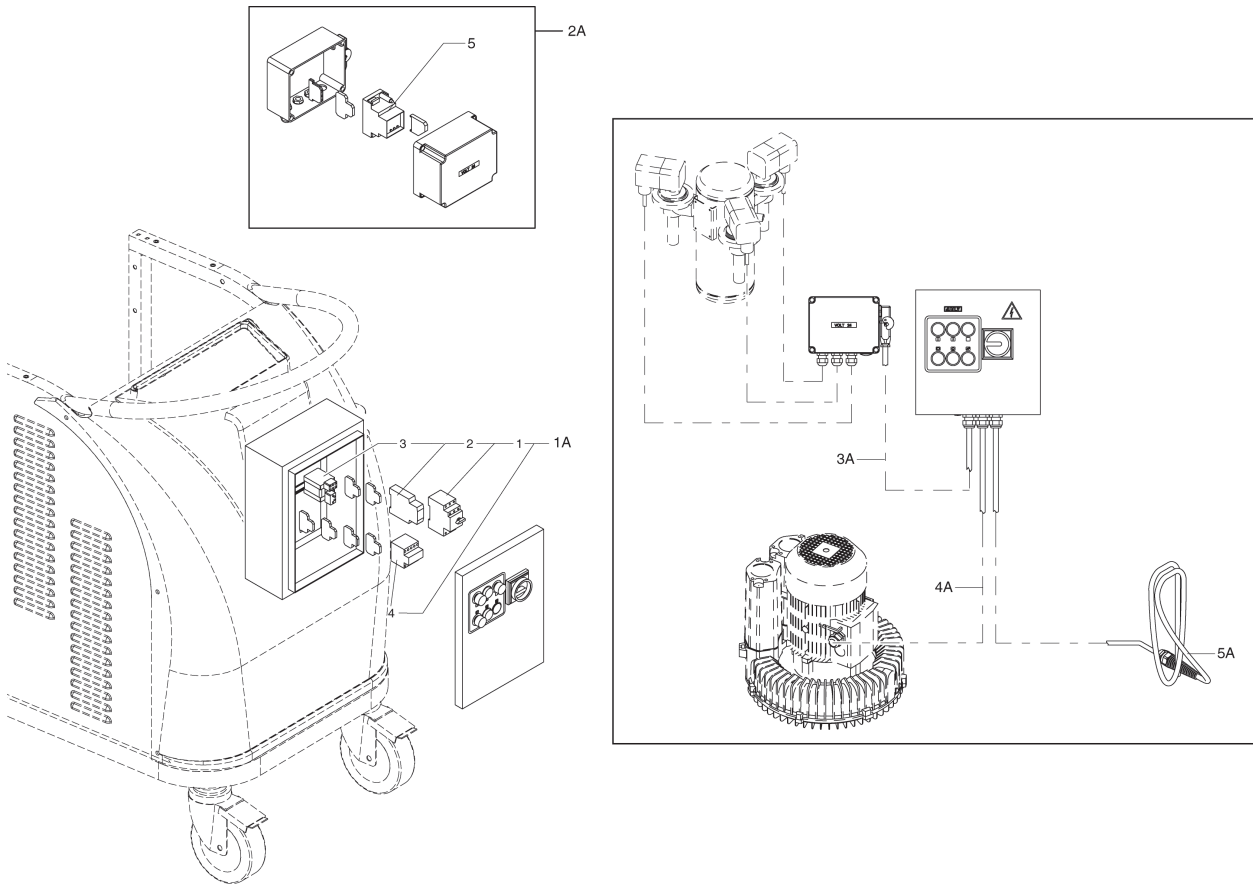
[1] - CONTACT PM ZOCCA



Pos.	Artikel-Nr.	Menge	Variante	Notes
1	4083901538	1	CIRCUIT BREAKER 5.5-8 A SIR.IN.S00	
1	4083901540	1	CIRCUIT BREAKER 9-12.5 A SIR.IN.S00	
1A	40000719	1	I.E. SUPPORT KIT	
2A	4089100125	1	ELECTRIC INSTAL KIT	
2A	4089100187	1	ELECTRIC INSTAL KIT	
3A	40000876	1	Motorkabel	
4A	4089100199	1	POWER CABLE KIT 16A PLUG I13 G2D	
4A	4089100200	1	POWER CABLE KIT 16A PLUG I13 G2D 5PP	



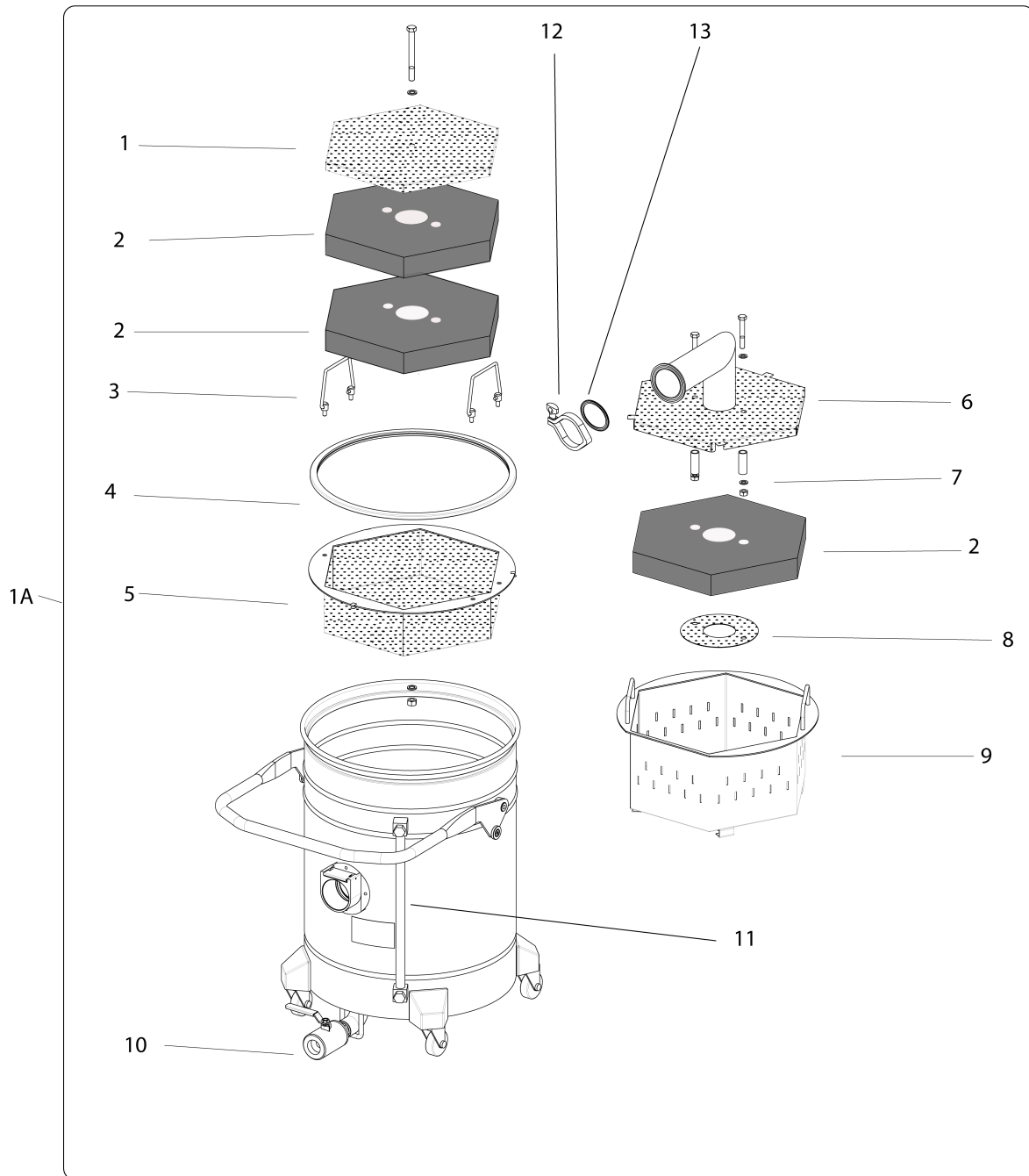
Pos.	Artikel-Nr.	Menge	Variante	Notes
1	4083901539	1	CIRCUIT BREAKER 7-10 A SIR.IN.S00	
1	4083901539	1	CIRCUIT BREAKER 7-10 A SIR.IN.S00	
1A	4081601324	1	ATEX E.B. SUPPORT MOD.CTS	
2A	4083901587	1	SCATOLA SALV. SIRIUS ATEX II2GDEx-d IIB	
3A	40000876	1	Motorkabel	
4A	4089100199	1	POWER CABLE KIT 16A PLUG II3 G2D	
4A	4089100200	1	POWER CABLE KIT 16A PLUG II3 G2D 5PP	



Pos.	Artikel-Nr.	Menge	Variante	Notes
1	4083901538	1	CIRCUIT BREAKER 5.5-8 A SIR.IN.S00	
1	4083901540	1	CIRCUIT BREAKER 9-12.5 A SIR.IN.S00	
2	Z8 391120	1	Phasenfolgerelais	
3	Z8 391050	1	Transformer zu IV 040	
4	4083901550	1	CONTACTOR KW4 24VAC 1NO SIR.IN.S00	
5	Z8 391107	1	Timer 24VAC 4 Out	
1A	Z8 41591	1	EB i.E.PS IP55 Mod. 3508	
2A	Z8 41039	1	Steuerung für	
3A	4089100128	1	POWER CABLE KIT FOR PULSE JET SYSTEM	[1]
4A	40000876	1	Motorkabel	
5A	4089100199	1	POWER CABLE KIT 16A PLUG I13 G2D	
5A	4089100200	1	POWER CABLE KIT 16A PLUG I13 G2D 5PP	

Part Notes:

[1] - CONTACT PM IN ZOCCA



Pos.	Artikel-Nr.	Menge	Variante	Notes
1	4081200599	1	CHIUSURA CESTELLO SUPER.IMMERS.SEP.INOX	
2	4081701232	3	FILT.DISC POLYUR. 10 PPI HEXAGONAL	
3	Z8 18207	2	Spannbügel für Filterster	
4	Z8 17459	1	Dichtung D460 Spänesieb	
5	4083000882	1	CESTELLO SUPERIORE IMMERSION SEP. INOX	
6	4081200597	1	CHIUSURA CESTELLO CON DEFLETTORE 3" INOX	
7	4081400864	2	spacer	
8	4081200598	1	DISCO PER PAD IMMERSION SEPARATOR INOX	
9	4083000881	1	CESTELLO RACCOLTA IMMERSION SEPAR. INOX	
10	4084001285	1	VALVE SPHERE MAN. 1" F/F SS 316	[1]
11	4084001227	1	LEVEL CHECK 3/8" LENGHT 400	
12	Z58 40118	1	COLLAR CLAMP 3	
13	4084001350	1	SEAL CLAMP 3" VITON	
1A	4056000778	1	KIT IMMERSION SEPARATOR SS D460 COMP.	

Part Notes:

[1] - CONTACT PM IN ZOCCA

