

PARTS LIST



2017.10.16

 **Nilfisk**[®]

 07351-5758060

kontakt@nilfisk-alto-shop.com



Preisabfrage bzw. Bestellungen der Artikel im Shop unter

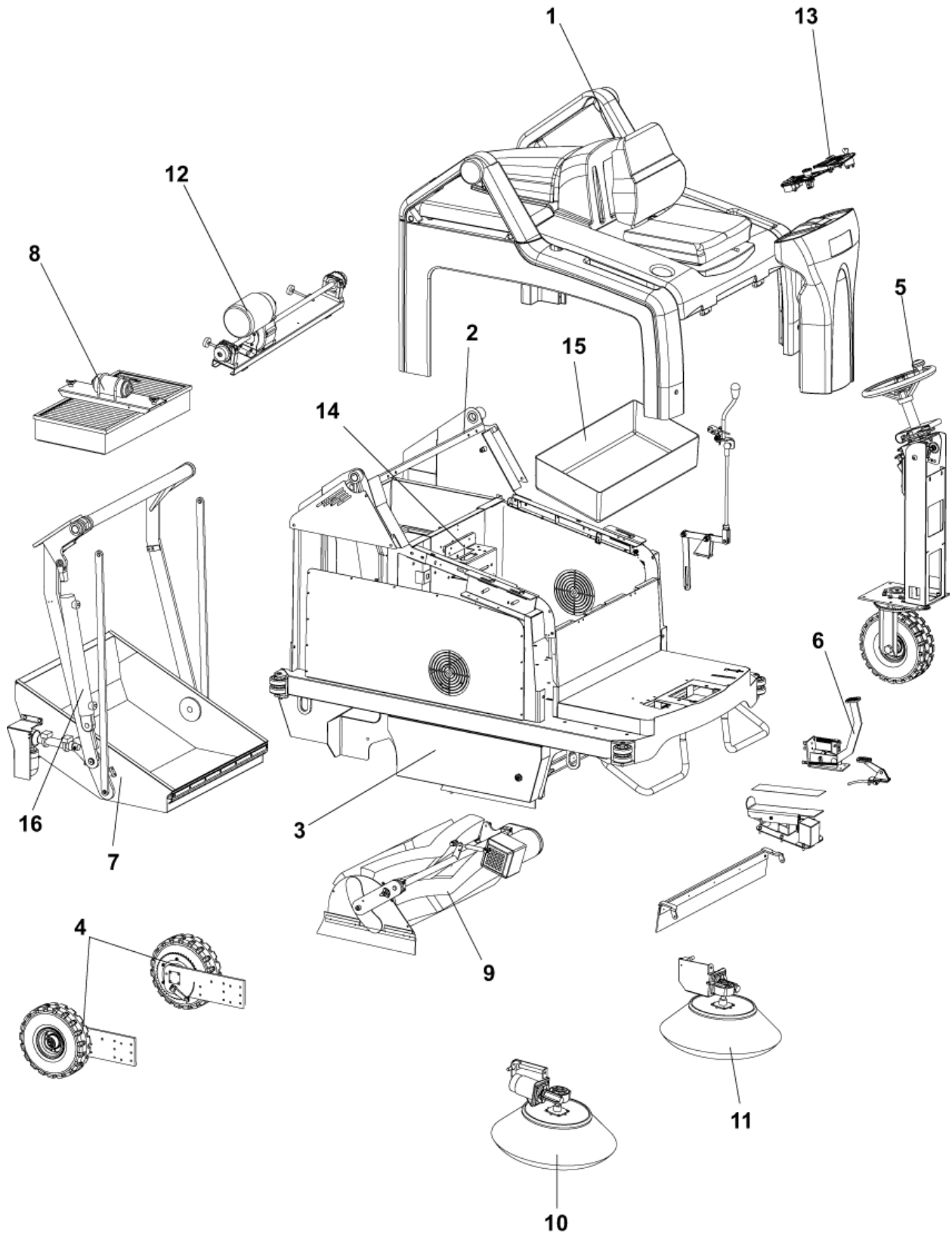
www.nilfisk-alto-shop.com

einfach die Artikelnummer in die Suchmaske eingeben

(Bitte die Artikelnummer ohne Leerzeichen eingeben)

TABLE OF CONTENTS

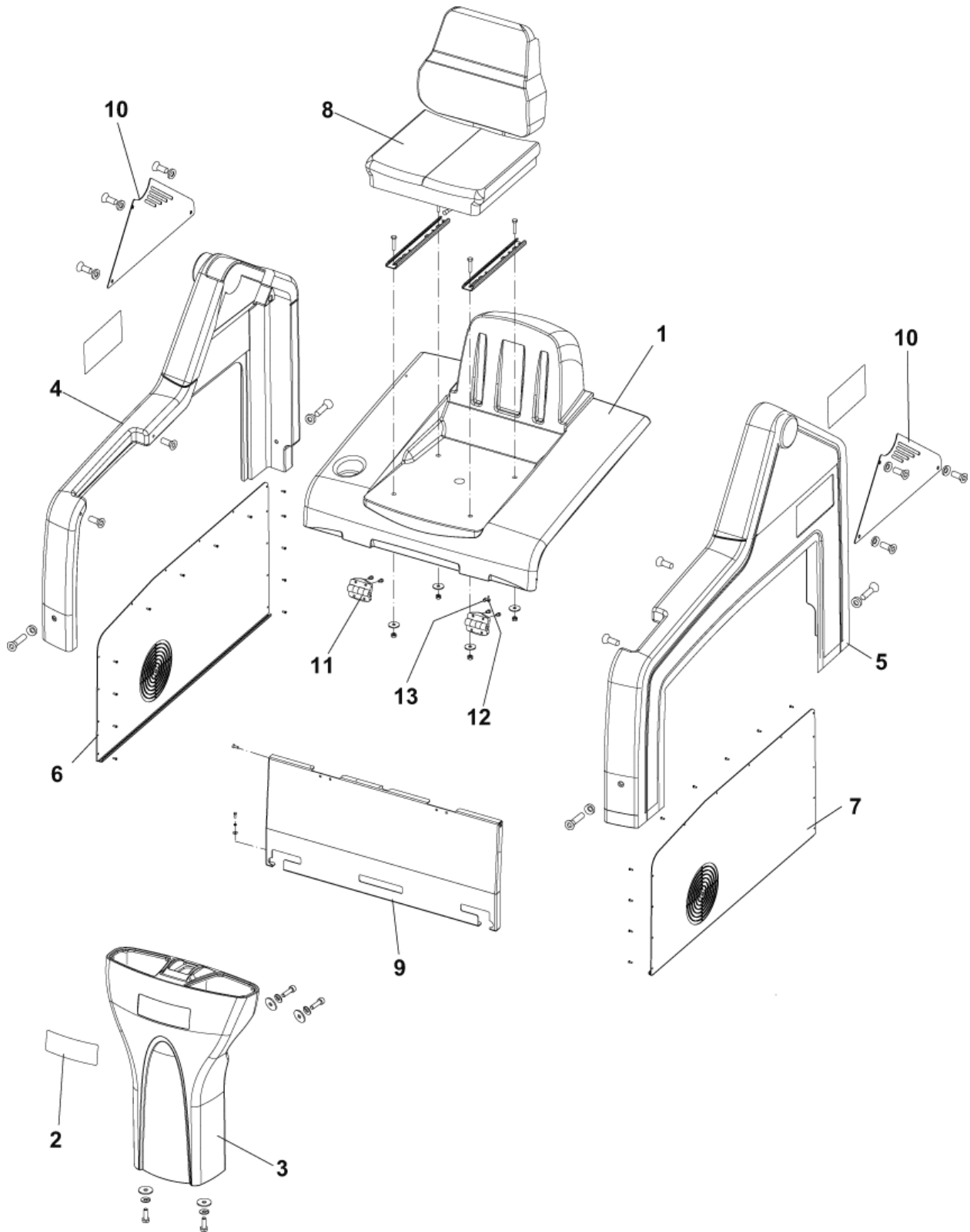
General view	1
Rotomolded assembly	3
Chassis assembly	5
Steering assembly	7
Drive assembly	9
Control pedals assembly	11
Waste container assembly	13
Filter assembly	15
Vacuum motor	17
Main broom control assembly	19
Main broom assembly	21
Right side broom assembly	23
Control panel	25
Electrical components	27
Electrical components	29
Hydraulic system	31
Accessory: Left side broom assembly	33
Accessories:Working light kit - Flashing beacon kits	35
Accessories:Overhead guard kit - Cloth pocket filter kit	37
Recommended spare parts	39



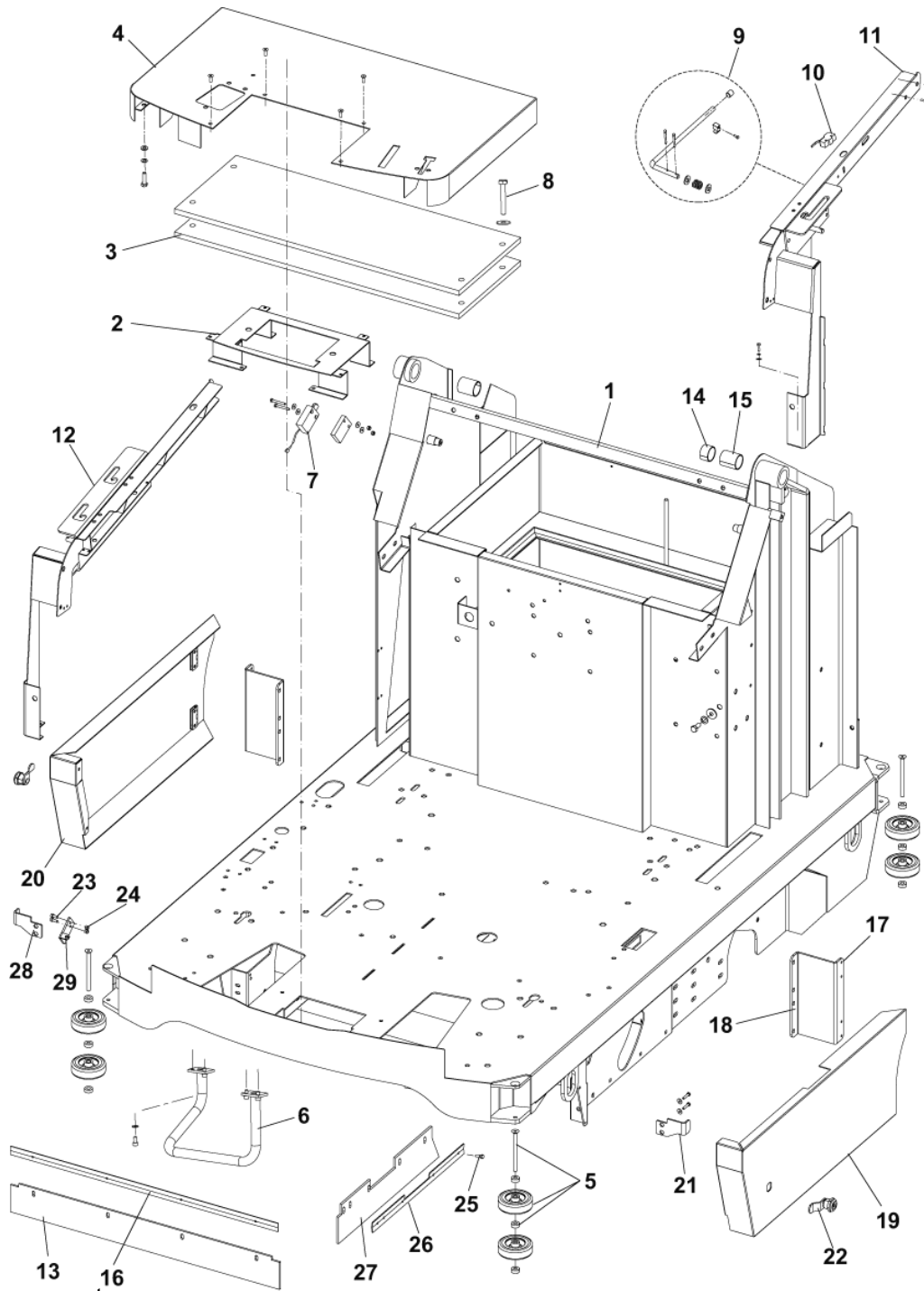
Pos.	Artikel-Nr.	Menge	Variante	Notes
01		1	ROTOMOLDED ASSEMBLY	[1]
02		1	CHASSIS ASSEMBLY	[2]
03		1	SIDE HATCHS ASSEMBLY	[3]
04		1	DRIVE ASSEMBLY	[4]
05		1	STEERING ASSEMBLY	[5]
06		1	CONTROL PEDALS ASSEMBLY	[6]
07		1	WASTE CONTAINER ASSEMBLY	[7]
08		1	FILTER ASSEMBLY	[8]
09		1	MAIN BROOM ASSEMBLY	[9]
10		1	RIGHT SIDE BROOM ASSEMBLY	[10]
11		1	LEFT SIDE BROOM ASSEMBLY	[11]
12		1	ELECTRIC MOTOR ASSEMBLY	[12]
13		1	CONTROL PANEL ASSEMBLY	[13]
14		1	ELECTRIC COMPONENTS BOX	[14]
15		1	ELECTRIC COMPONENTS	[15]
16		1	HYDRAULIC SYSTEM	[16]

Part Notes:

- [1] - ROTOMOLDED ASSEMBLY
- [2] - CHASSIS ASSEMBLY
- [3] - SIDE HATCHS ASSEMBLY
- [4] - DRIVE ASSEMBLY
- [5] - STEERING ASSEMBLY
- [6] - CONTROL PEDALS ASSEMBLY
- [7] - WASTE CONTAINER ASSEMBLY
- [8] - FILTER ASSEMBLY
- [9] - MAIN BROOM ASSEMBLY
- [10] - RIGHT SIDE BROOM ASSEMBLY
- [11] - ACCESSORY:LEFT SIDE BROOM ASSEMBLY
- [12] - ELECTRIC MOTOR ASSEMBLY
- [13] - CONTROL PANEL ASSEMBLIES
- [14] - ELECTRICAL COMPONENTS BOX
- [15] - ELECTRICAL COMPONENTS
- [16] - HYDRAULIC SYSTEM



Pos.	Artikel-Nr.	Menge	Variante	Notes
01	146 2865 000	1	BONNET SEAT HOLDER KIT	
02	1463764000	1	DECALS FLOORTEC R 680 B KIT	
03	1465971000	1	COVER FRONT BLUE-DECAL NILFISK-ALTO KIT	
04	1463781000	1	Abdeckung rechts	
05	1463766000	1	Abdeckung, links, Kit	
06	1463767000	1	PANEL RIGHT SIDE KIT	
07	1463782000	1	Abdeckplatte links, Kit	
08	145 5975 000	1	Fahrersitz f. SR 1300	
09	1463773000	1	PANEL FRONT KIT	
10	1463770000	1	Schutzabdeckung, Kit	
11	1463719000	1	Schanier	
12	146 1184 000	1	HARDWARE ROTOM.ASSY KIT	
13	L08239900	1	SCHELLE	



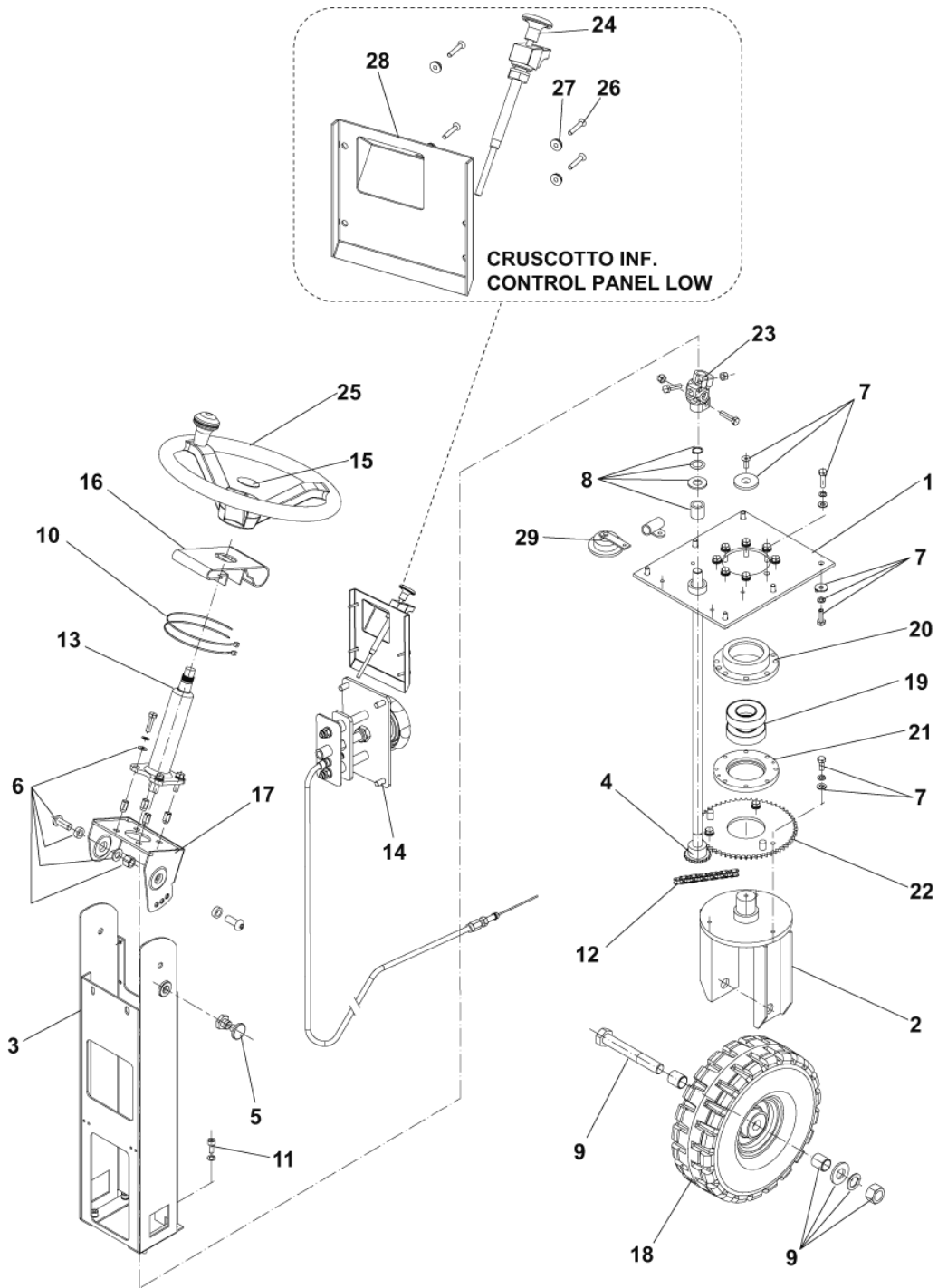
Resource notes:

Position 0 not show 1464522000 key for 1463322000 opening

Pos.	Artikel-Nr.	Menge	Variante	Notes
00	1464522000	1	Schlüssel Floortec R 680	[1]
01	1463497000	1	CHASSIS BLACK	[2]
02	146 2401 000	1	SUPPORT	[1]
03	146 1195 000	2	WEIGHT	[3]
04	1463771000	1	BOARD FOOT KIT	
05	1463566000	1	Abweisrollenkit	
06	1463772000	1	Schutz-Kit rechte Seite	
07	1463568000	1	Mikroschalter Kit	
08	146 2163 000	4	SCREW M10X70 HEX HD P/THD ISO4014	
09	146 2164 000	1	BAR SAFETY F BONNET KIT	
10	1466506000	1	MICROSWITCH 10A 250V PKD	
11	1463506000	1	SUPPORT LEVERS LEFT S235JR	[1]
12	1463505000	1	SUPPORT LEVERS RIGHT S235JR	[1]
13	146 1151 000	1	Schürze, hinten, n. mark.	
14	146 1033 000	1	BUSHING PAP 30 20 P10	
15	146 1050 000	2	BUSHING PAP 30 40 P10	
16	145 4657 000	1	PLATE REAR SKIRT	[1]
17	33004563	8	Schraube	
18	146 0912 000	2	Halterung	
19	1463504000	1	Klappe, links	[1]
20	1463503000	1	Abdeckung rechts in schwarz	[1]
21	1463511000	1	Halter, links	[1]
22	1463322000	2	Verschluss m. Schlüssel	
23	33004328	6	Schraube M 5 x 16	
24	33005561	2	NUT LOCK HEX M5 ISO7040	
25	145 5868 000	4	Schraube 4,8x19	[1]
26	145 5929 000	1	Halter SR 1100 ECO	
27	145 5927 000	1	Spritzgummi seitlich	
27	146 1150 000	1	Seitenschürze, n. mark.	
28	1463512000	1	BRACKET RIGHT BLOCK BLACK	[1]
29	1463325000	1	Gegenplatte	[1]

Part Notes:

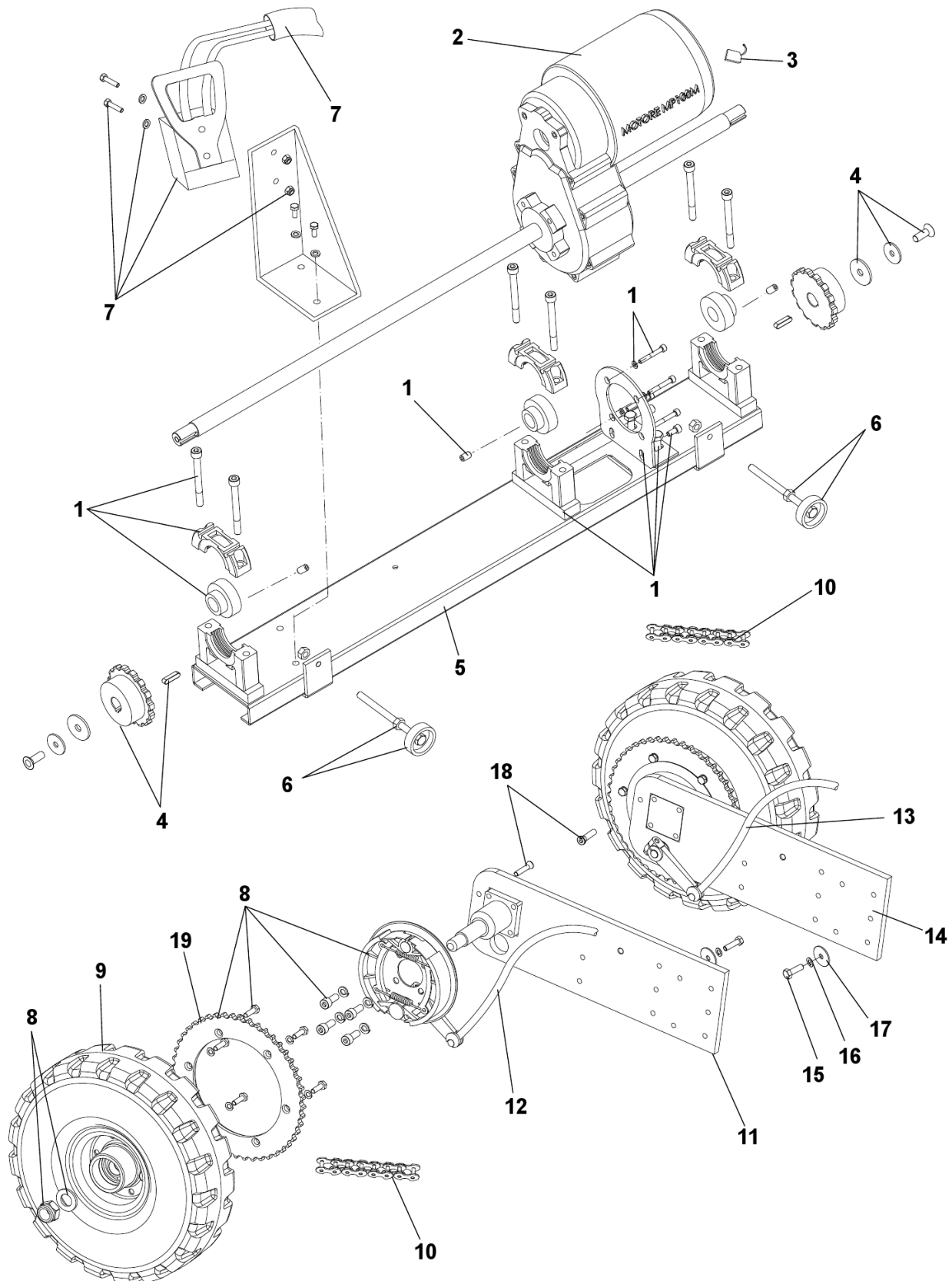
- [1] - STOCK COVERS GUARANTEE
- [2] - GUARANTEE DATE EXPIRED
- [3] - SEE PI 2017-002



Pos.	Artikel-Nr.	Menge	Variante	Notes
01	1463432000	1	PLATE SUPPORTING	[1]
02	145 5662 000	1	Support	[1]
03	1463508000	1	STEERING COLUMN	[1]
04	1463430000	1	SHAFT STEERING	[1]
05	146 0961 000	1	Sperrriegel	[1]
06	1463576000	1	COLUMN STEERING KIT	
07	1463577000	1	HARDWARE SHAFT STEERING KIT	
08	1463578000	1	HARDWARE PLATE SUPPORTING KIT	
09	1463579000	1	Befestigungs-Kit	
10	1466337000	1	TIE CABLE 4.8X430 WHITE 2 PCS SET	
11	33004365	4	SCREW M8X20 UNI5931	
12	1463431000	1	Kette 3/8	[1]
13	1466525000	1	COLUMN STEERING SIP	
14	1463315000	1	CONTROLLER MAIN BROOM	
15	1467031000	1	CAP PKD	
16	146 1668 000	1	PROTECTION	[1]
17	146 2030 000	1	Halterung	[1]
18	146 0329 000	1	Antriebsrad, vorne, n. mark.	
18	146 1876 000	1	Frontrad	
19	145 2357 000	2	Kugellager 6207-2RS	
20	145 2586 000	1	FLANGE	
21	145 2587 000	1	FLANGE	
22	145 2714 000	1	Kranz	
23	1466319000	1	JOINT UNIVERSAL D.17 PKD	
24	146 0991 000	1	Bremskabel SR 1300 H	
25	1467048000	1	WHEEL STEERING D.362 SIP	
26	146 0963 000	4	Schraube M4x25	
27	145 4514 000	4	WASHER FLARING M4X12 NYLON	[1]
28	1463521000	1	SUPPORT LEVERS BELOW BLACK	[2]
29	1467032000	1	HORN 24V SIP	

Part Notes:

- [1] - STOCK COVERS GUARANTEE
 [2] - SEE PI 2017-002



Resource notes:

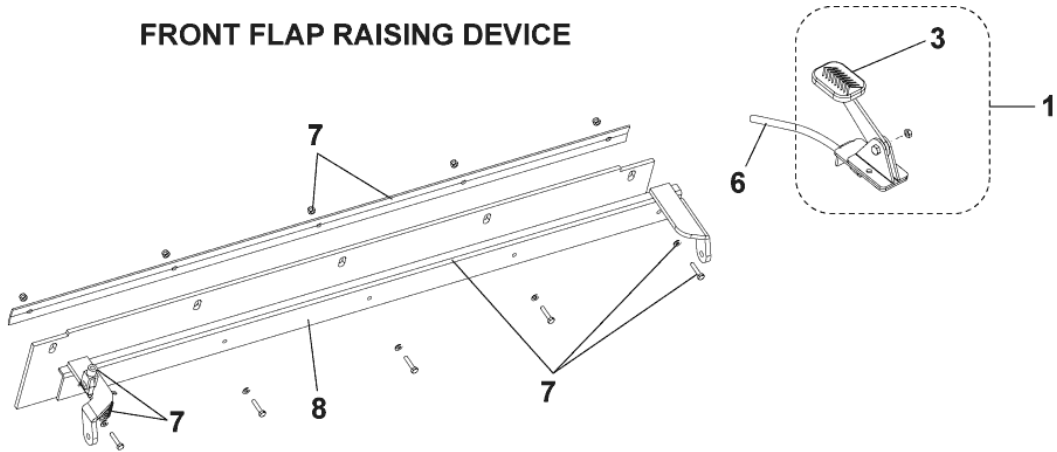
pos.8: 1465125000 for model before SN 3810120700103 pos.8: 1465126000 for model starting from SN 3810120700103 position 12 - 13 146 2335 000 - 146 2336 000 for model before SN 3810120700103 position 12 - 13 1465111000 - 1465112000 for model starting from SN 3810120700103

Pos.	Artikel-Nr.	Menge	Variante	Notes
00	146 0908 000	1	Zahnriemenscheibe Z48 1/2	[1]
01	1463723000	1	Befestigungskit	
02	146 1016 000	1	Motor Drive 750 W 24 Volt	[2]
03	L08603949	1	Kohlenbürsten Kit 4pcs	
04	1463724000	1	PINION KIT	
05	146 2388 000	1	SUPPORT.DIFFERENTIAL	[3]
06	1463725000	1	SCREW DIFFERENTIAL ADJUSTER KIT	
07	1463726000	1	Batteriekabel	
08	1465125000	2	BRAKING SYSTEM KIT	[4]
08	1465126000	2	Bremskit hinten	[5]
09	146 1875 000	2	Hinterrad	
09	146 0330 000	2	Rad hinten, n. mark.	
10	146 1114 000	2	Kette	
11	146 0879 000	1	Bremshebel	[2]
12	146 2335 000	1	Bremskabel rechts	[2]
12	1465111000	1	CABLE RIGHT BRAKE	
13	1465112000	1	CABLE LEFT BRAKE	
13	146 2336 000	1	Bremskabel links	[2]
14	146 0880 000	1	Halterung f. Rad, links	[2]
15	909 5361 000	18	SCREW M8X20 HEX HD ISO4017 SCOTCH-GRIP	
16	33005842	18	U-Scheibe	
17	145 9787 000	18	WASHER PLAIN M12X48 ISO7093	
18	33004590	2	SCREW M8X16 C/SUNK FLAT HD HEX ISO10642	
19	146 0908 000	1	Zahnriemenscheibe Z48 1/2	

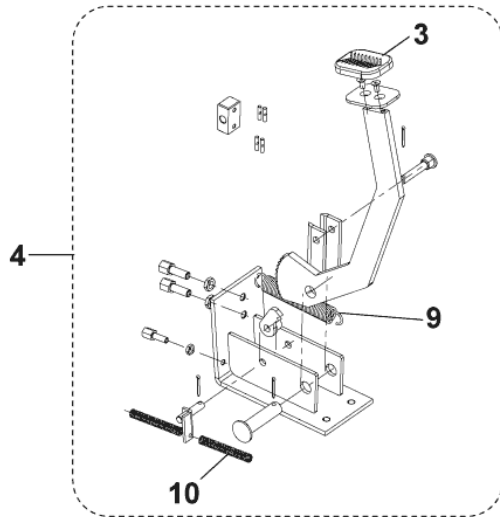
Part Notes:

- [1] - not shown
- [2] - STOCK COVERS GUARANTEE
- [3] - SEE PI 2017-002
- [4] - for model before SN 3810120700103
- [5] - for model after SN 3810120700103

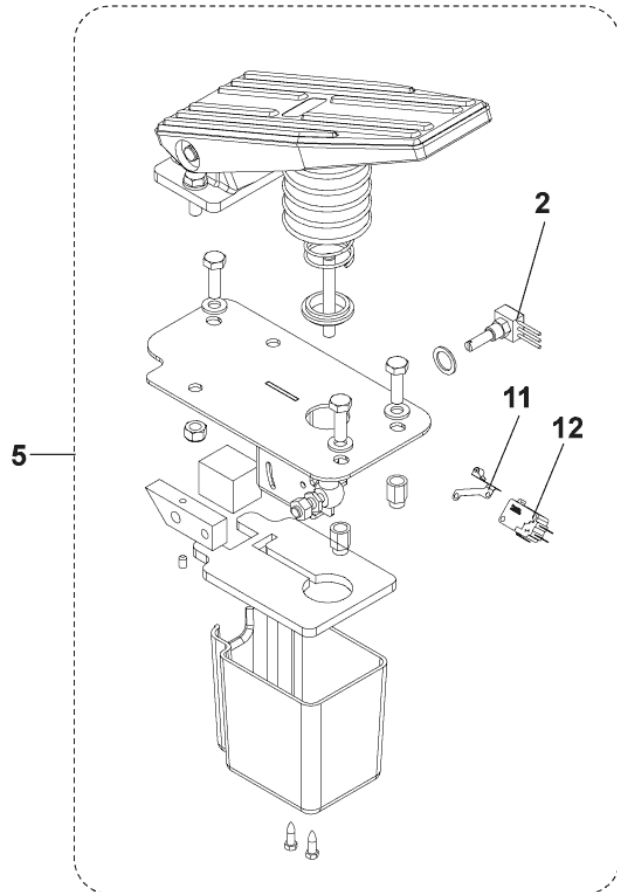
FRONT FLAP RAISING DEVICE



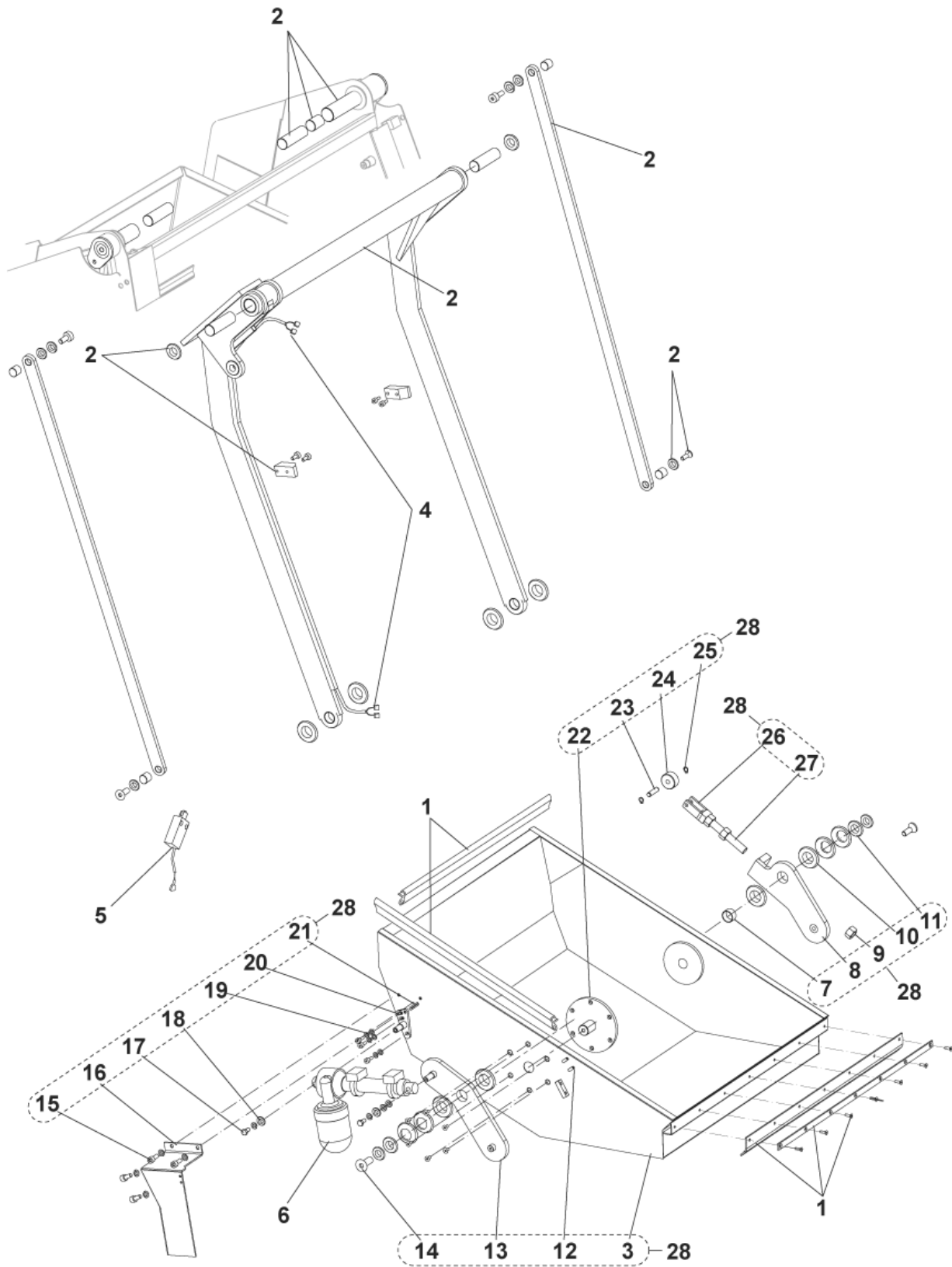
BRAKE PEDAL ASSEMBLY



ACCELERATOR PEDAL ASSEMBLY



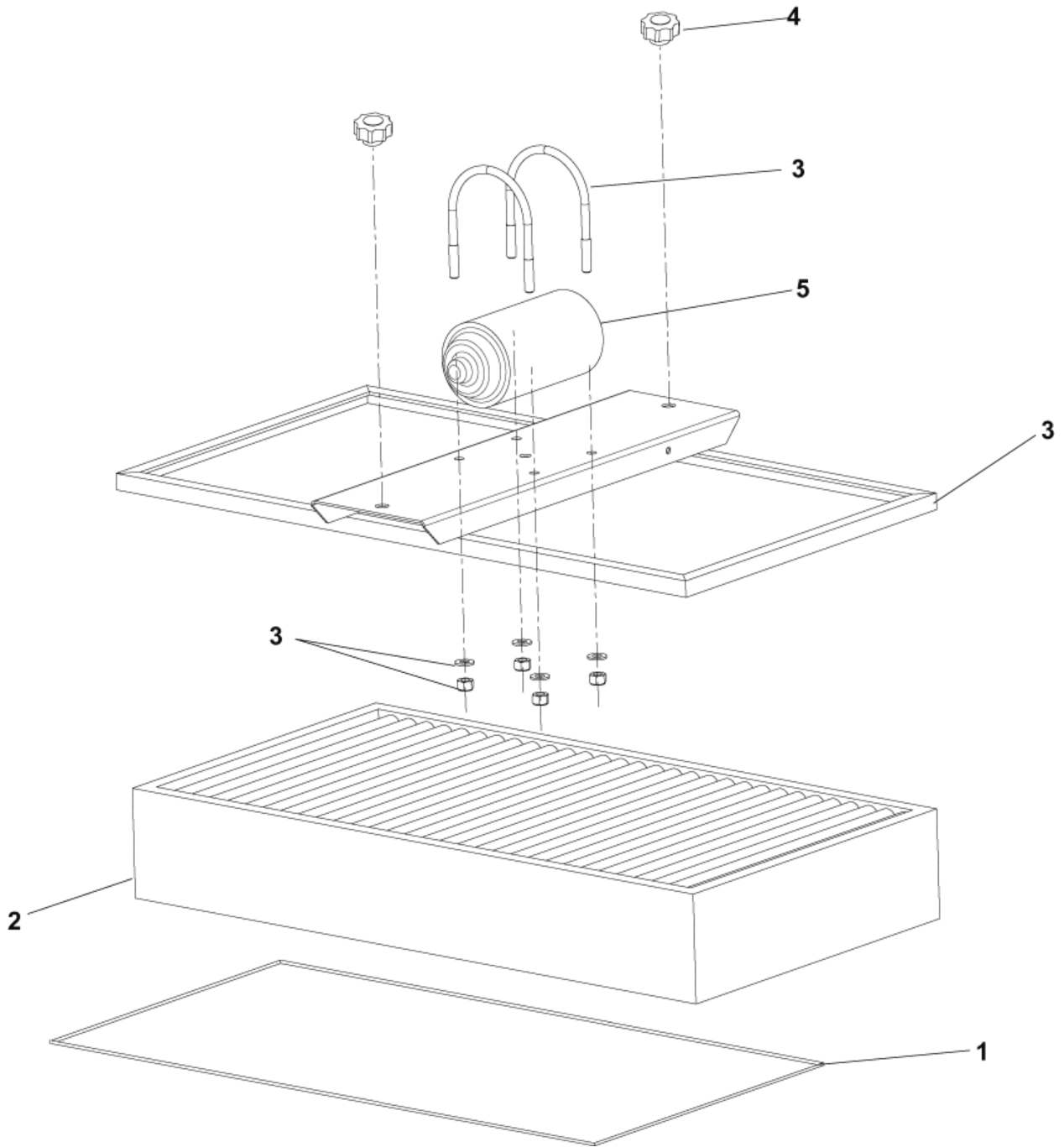
Pos.	Artikel-Nr.	Menge	Variante	Notes
01	1463582000	1	PEDAL SKIRT RAISING DEVICE KIT	
02	146 2620 000	1	Kabelbaum Gas-Pedal	
03	145 8478 000	2	Pedalgummi	
04	1463744000	1	BRAKE PEDAL KIT	
05	1464041000	1	Gaspedal, Kit	
06	1463363000	1	CABLE SKIRT RAISING DEVICE	
07	1463581000	1	SKIRT RAISING DEVICE KIT	
08	146 1152 000	1	Schürze, vorne, n. mark.	
09	146 0986 000	1	SPRING	
10	145 1935 000	2	Spring	
11	L08812377	1	Federzunge mit Rolle zu BA 650/S	
12	L08812580	1	Microschalter 16A BA 750S	



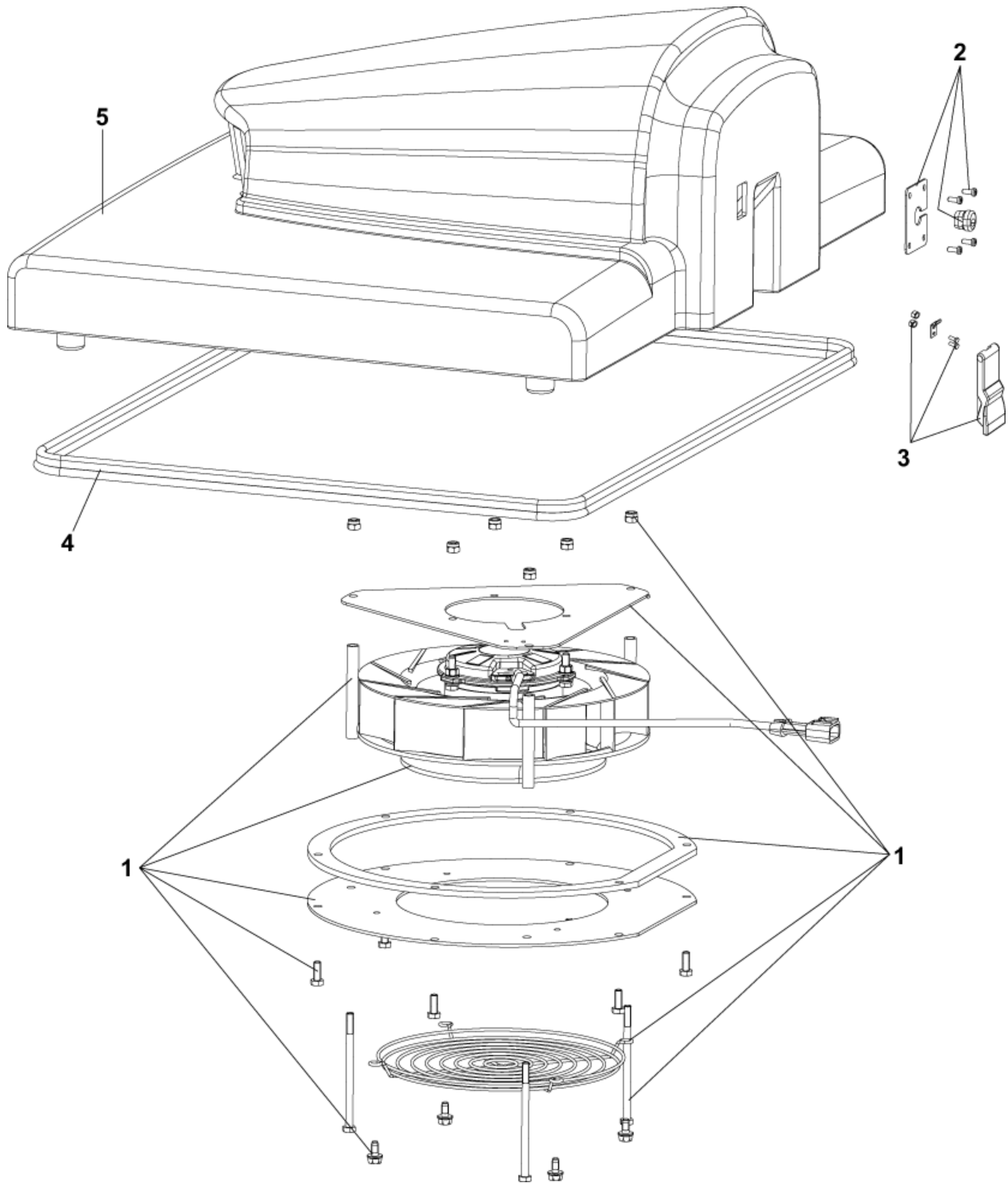
Pos.	Artikel-Nr.	Menge	Variante	Notes
1	1463584000	1	Dichtungen	
2	1463774000	7	ARMS BLACK WASTE HOPPER LIFTING KIT	
3	146 2412 000	1	HOPPER WASTE BLACK	
4	146 1994 000	1	HARNESS CONTAINER	
5	1463568000	1	Mikroschalter Kit	[1]
5	1464134000	1	Mikroschalter-Kit	[2]
6	146 0929 000	1	Spindelmotor 24VSR 1300 HB	
8	146 0930 000	1	ARM LT HOPPER WASTE	
13	146 1227 000	1	Abfallcontainer, Rechte Seite	
16	146 2413 000	1	PROTECTION.JACK MOTOR	
20	146 0994 000	1	Bolzen	
22	146 0993 000	1	Halterungsplatte	
26	146 0934 000	1	FORK M16	
27	146 0937 000	1	ROD THREADED M16X135MM DIN975	
28	1463775000	1	Einsetzbehälter Set	[3]

Part Notes:

- [1] - BEFORE SN 090602697
 [2] - STARTING FROM SN 090602697
 [3] - (ITEM 3-7-8-9-10-11-12-13-14-15-16-17-18-19-20-21-22-23-24-25-26-27)



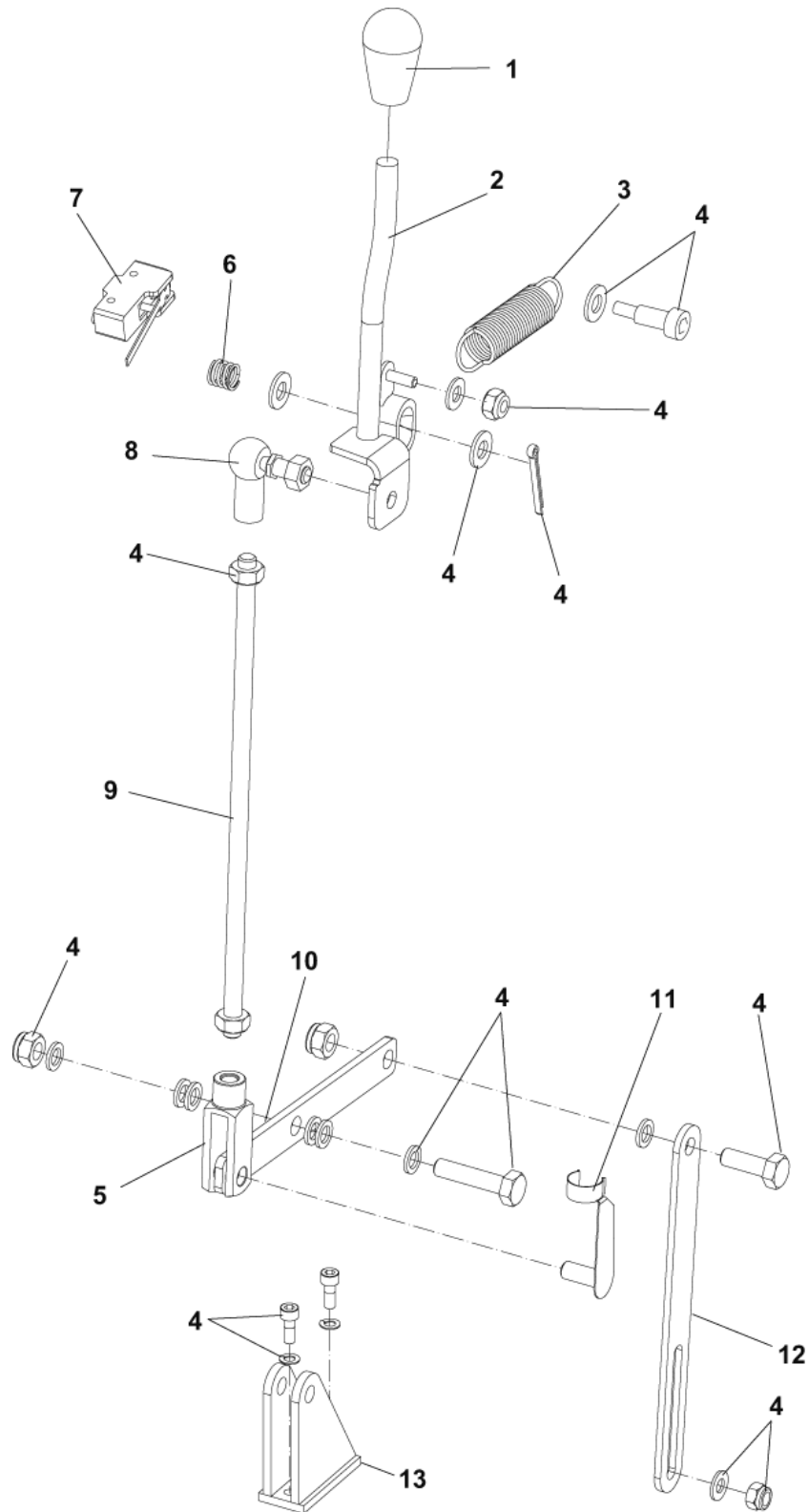
Pos.	Artikel-Nr.	Menge	Variante	Notes
01	146 1158 000	1	GASKET ADHESIVE 15X10 L.1950MM	
02	145 6013 000	1	Staubfilter, Polyester, waschbar	
02	1463523000	1	Filter Papier Panel	
03	1463776000	1	BefestigungsKit	
04	145 5035 000	2	Griffmutter M 8	
05	145 5539 000	1	Motor Filtershak.	



Pos.	Artikel-Nr.	Menge	Variante	Notes
01	1464927000	1	FAN RADIAL 24V KIT	
02	1463589000	1	CABLE MOTOR VACUUM KIT	
03	1463590000	1	Verschlusskit	
04	146 1147 000	1	Dichtung	
05	1463307000	1	SUPPORT VACUUM MOTOR	[1]

Part Notes:

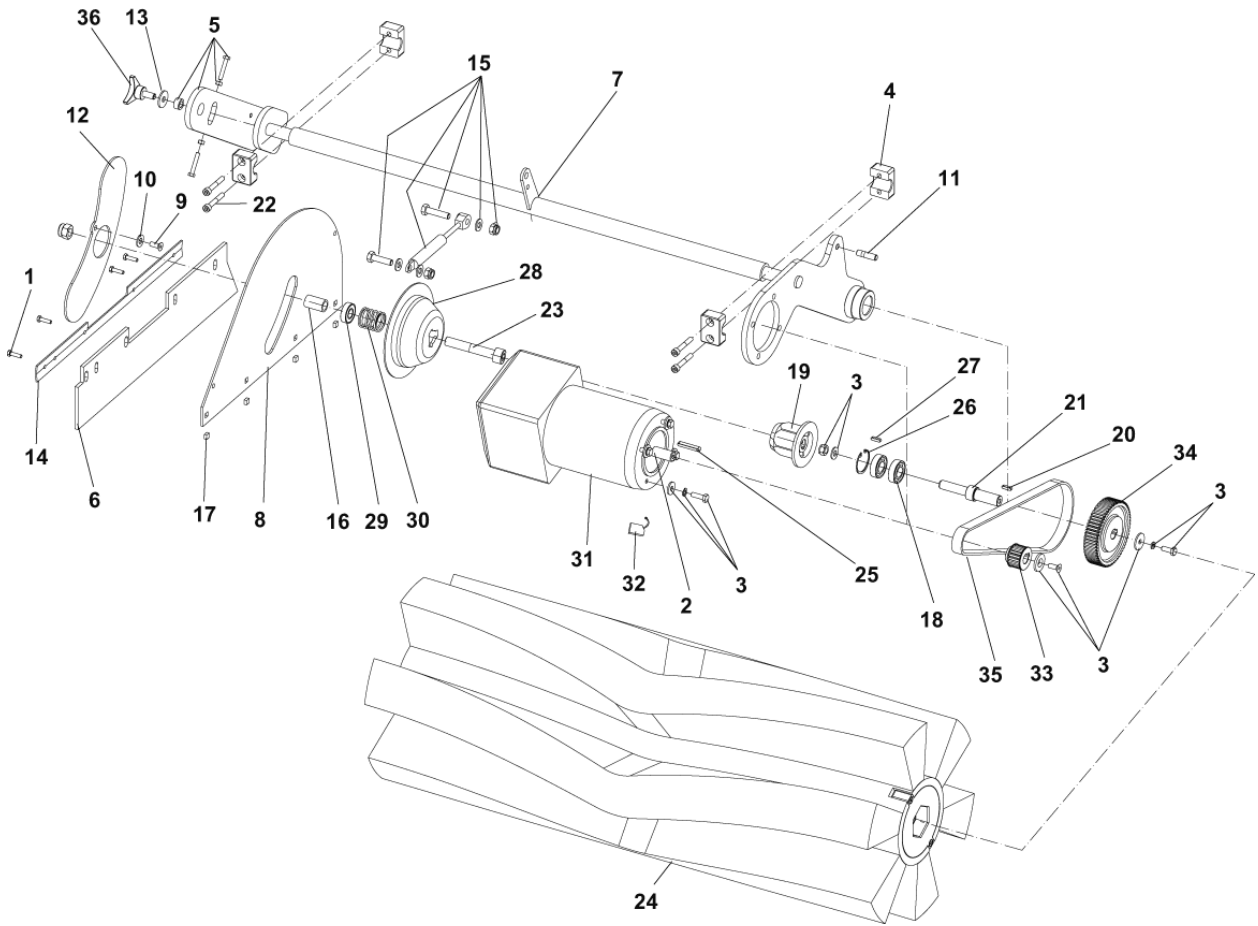
[1] - STOCK COVERS GUARANTEE



Pos.	Artikel-Nr.	Menge	Variante	Notes
01	146 0975 000	1	Knopf	
02	1463318000	1	Hebel f. Kehrwalze	[1]
03	1467039000	1	SPRING TRACTION CARBON STEEL SIP	
04	1463591000	1	HARDWARE CONTROLLER MAIN BROOM KIT	
05	145 9666 000	1	Gabelstück M10	
06	145 9578 000	1	SPRING	
07	1466506000	1	MICROSWITCH 10A 250V PKD	
08	145 9769 000	1	BALL JOINT M10	
09	1463468000	1	ROD THREADED M10X300MM DIN975	[1]
10	1463328000	1	Haltewinkel	[1]
11	145 4540 000	1	Federring	
12	1463329000	1	LEVER F MAIN BROOM LIFTING	[1]
13	146 0949 000	1	SUPPORT	[1]

Part Notes:

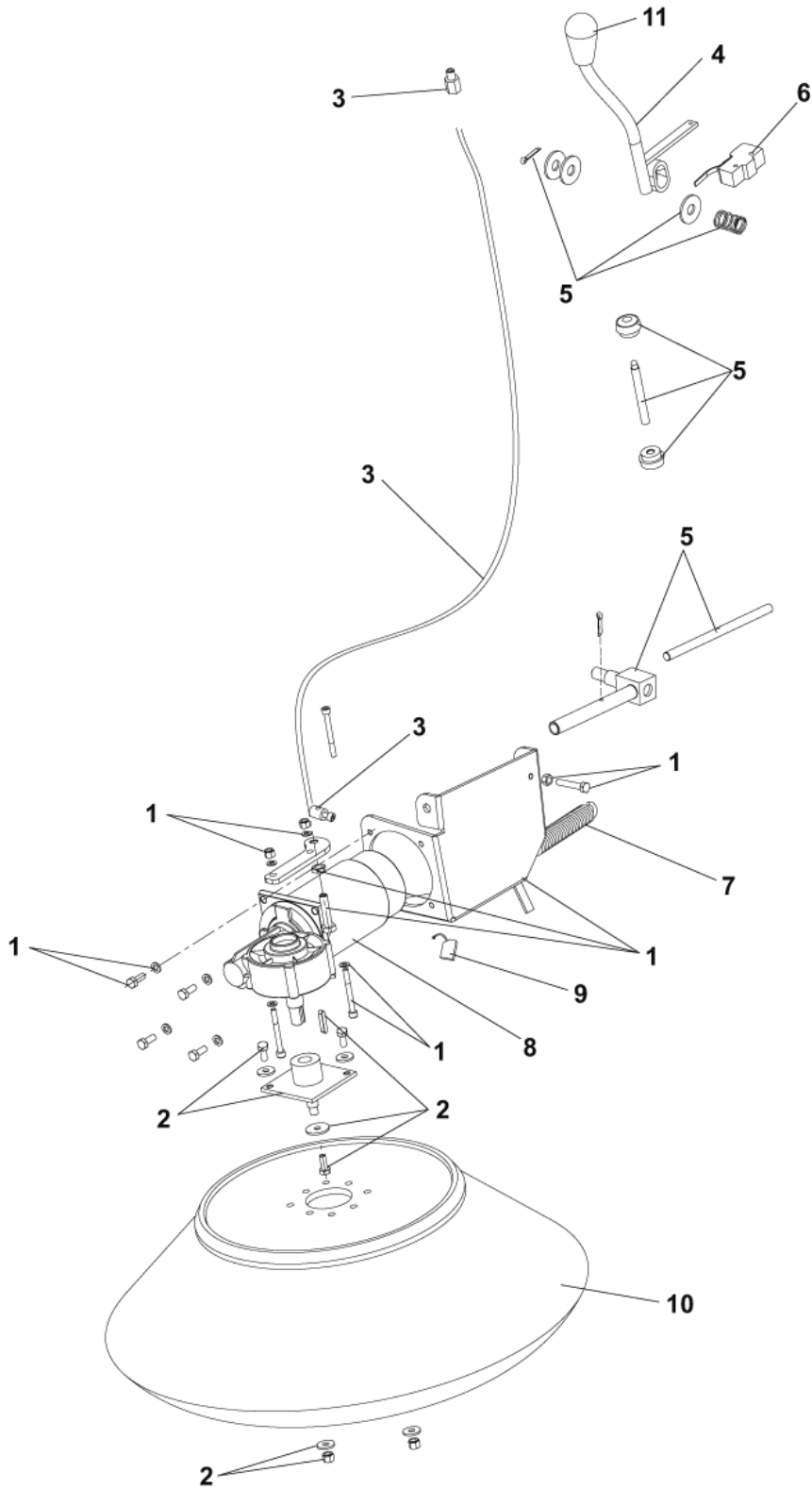
[1] - STOCK COVERS GUARANTEE



Pos.	Artikel-Nr.	Menge	Variante	Notes
01	145 5868 000	4	Schraube 4,8x19	[1]
02	145 1950 000	1	Abstandhalter	
03	1463593000	1	HARDWARE MAIN BROOM KIT	
04	1466733000	4	CLAMP PIPE FIXING D.18 -PAIR- SIP	
05	146 1238 000	1	Halter für Hauptbürste	
06	146 1150 000	1	Seitenschürze, n. mark.	
06	145 5927 000	1	Spritzgummi seitlich	
07	1463320000	1	Achse	[1]
08	1463509000	1	HATCH RGT CLOSING MAIN BROOM SPACE BLACK	[1]
09	33004576	1	Schraube M6 x 16	
10	33023208	1	WASHER M8 UNI6592 10 PCS SET	
11	1463529000	1	Gewindebolzen M8X30	[1]
12	1463530000	1	Dichtung	
13	L08300000	1	Beilagsscheibe 8x24	
14	145 5929 000	1	Halter SR 1100 ECO	
15	1463592000	1	SPRING GAS KIT	
16	145 2662 000	1	Scheibe 12x17x28	
17	33023655	4	NUT HEX M5 MEDIUM ISO4032 10PCS.SET	
18	1467637000	2	BEARING BALL 6002 2RS SIP	
19	1463877000	1	Steckzapfen Hauptbesen	[2]
20	146 1489 000	1	Keil 4x4x15	
21	145 1791 000	1	Welle Kehrwalze SR 1100Eco	
22	33004350	4	SCREW M6X40 CAP HD HEX SOCK ISO4762	
23	33004442	1	Schraube M12x60	
24	146 1018 000	1	Kehrwalze 300x800 mm, PP 0,8	
24	145 4963 000	1	Kehrwalze 300x800 mm, Stahlmix	
24	145 6135 000	1	Kehrwalze 300x800 mm, Naturborsten	[3]
25	146 0830 000	1	Keil 5X5X36 UNI6604A	
26	33006162	1	RING D 32 UNI7437	
27	145 8197 000	1	Keil 4x4x20	
28	1467023000	1	HUB LEFT MAIN BROOM PKD	
29	44905699	1	BEARING BALL 6001 2RS PKD	
30	1467024000	1	SPRING PKD	
31	146 2792 000	1	Motor	
32	1464432000	1	Kohle Kit 4 Stück	
33	145 1849 000	1	Riemenscheibe SR 5110	
34	145 1850 000	1	Riemenscheibe	
35	145 1851 000	1	Zahnriemen HTD 710 5M 15	
36	145 5035 000	1	Griffmutter M 8	

Part Notes:

- [1] - STOCK COVERS GUARANTEE
- [2] - SEE TSB IT 2008-023
- [3] - PI 2015-001 TTY

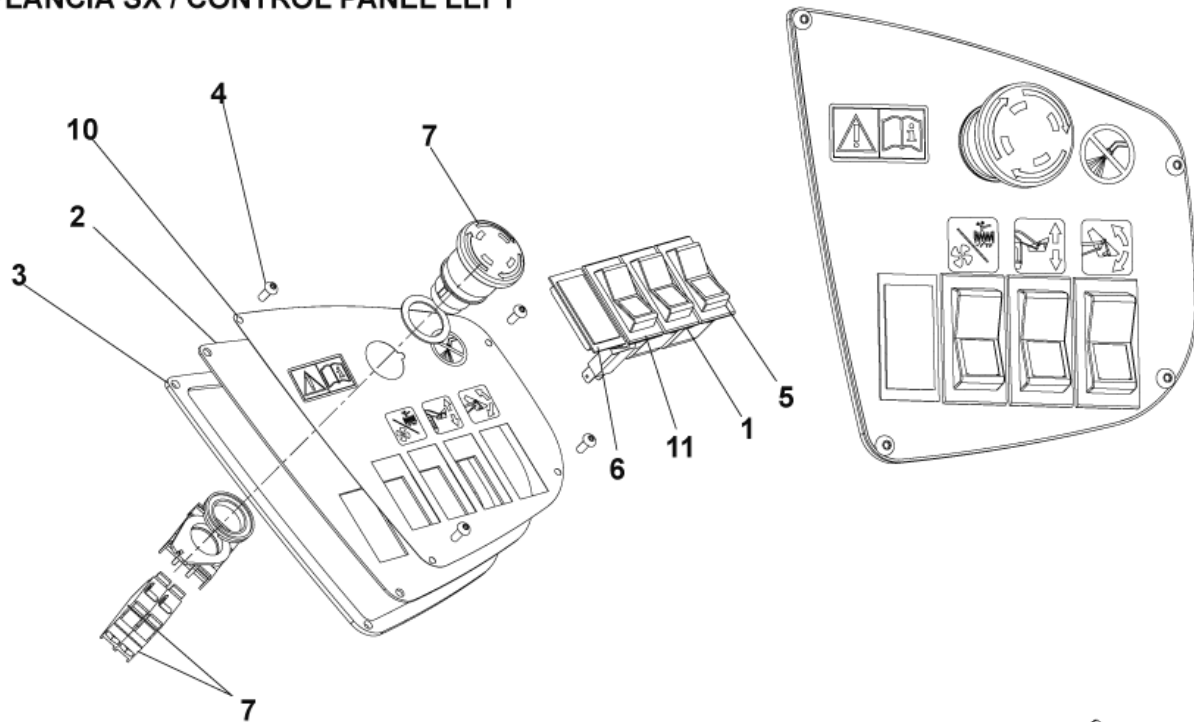


Pos.	Artikel-Nr.	Menge	Variante	Notes
01	1463777000	1	SUPPORT REDUCTION GEAR MOTOR KIT	
02	1463595000	1	Aufnahmekit SeitenbesenSR1301	
03	1463596000	1	CABLE RIGHT SIDE BROOM KIT	
04	1463371000	1	LEVER RIGHT SIDE BROOM	[1]
05	1463597000	1	HARDWARE SIDE BROOM KIT	
06	1466506000	1	MICROSWITCH 10A 250V PKD	
07	146 0986 000	1	SPRING	
08	146 1039 000	1	Motor f.Seitenbesen	[1]
09	145 5125 000	2	Kohle Seitenbesen-motor SR 1100/ECO	
10	146 1148 000	1	Seitenbesen 280x500	[2]
10	146 1025 000	1	Seitenbesen 280x500 mm, PP 1-1,4	
10	146 1149 000	1	Seitenbesen 280x500 mm, Stahlmix	
11	146 0975 000	1	Knopf	

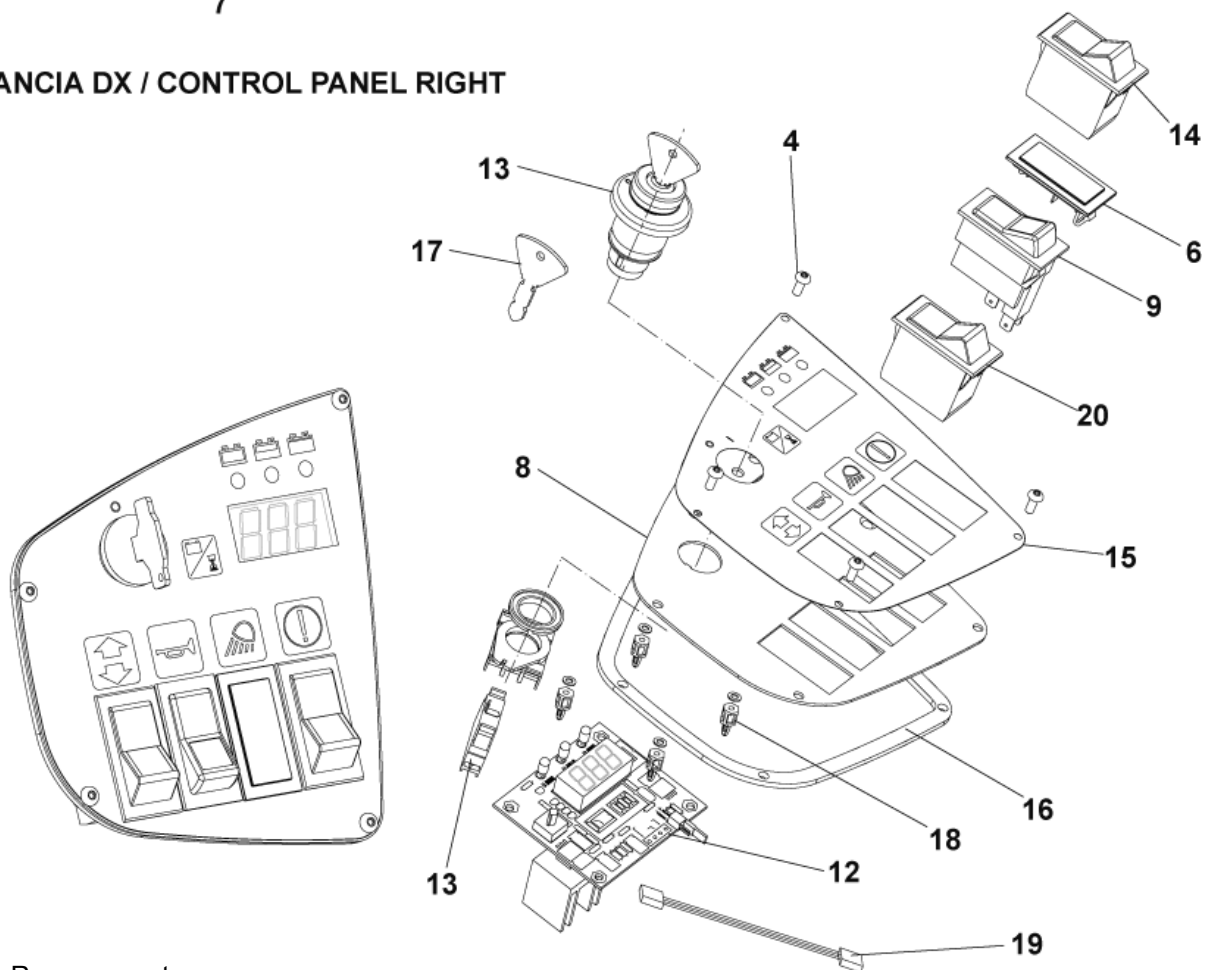
Part Notes:

- [1] - STOCK COVERS GUARANTEE
- [2] - PI 2015-001 TTY

PLANCIA SX / CONTROL PANEL LEFT



PLANCIA DX / CONTROL PANEL RIGHT



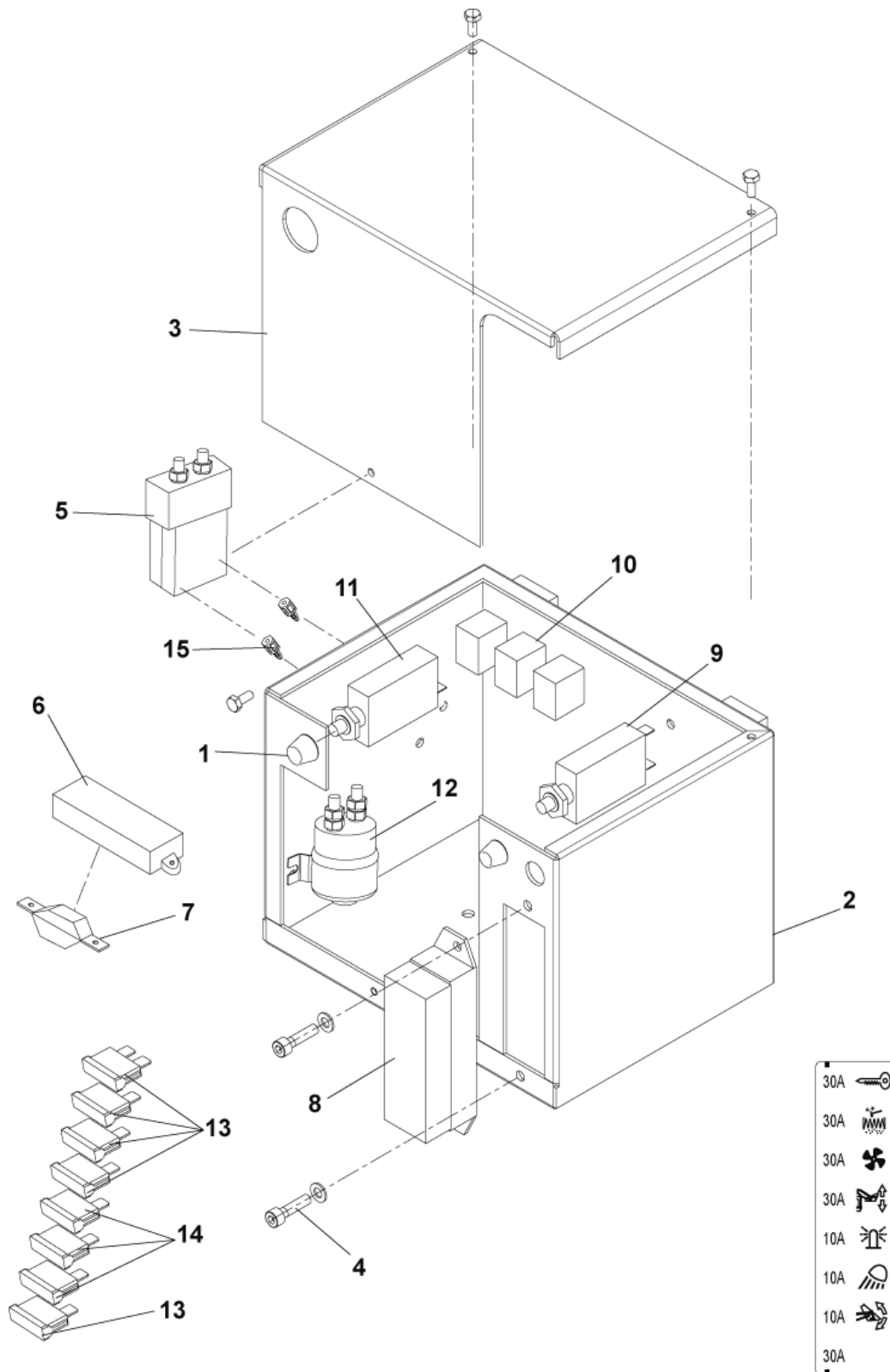
Resource notes:

POSITION 0 146 2901 000 INCLUDES SWITCH KEY PLUS TWO KEYS (POS. 17 WHICH ARE NOT AVAILABLE AS SINGLE ITEMS) POSITION 13 1463729000 INCLUDES SWITCH KEY, PLUS TWO KEYS AND CONTACT

Pos.	Artikel-Nr.	Menge	Variante	Notes
00	146 2901 000	1	Schlüsselschalter kompl.SR 1300 HB	
01	146 0846 000	1	Schalter f. SR1300H B	
02	146 1021 000	1	Bedienfeld rechts	[1]
03	146 1230 000	1	Dichtung	[1]
04	145 0572 000	8	Schraube TBEI M4x10	
05	146 0847 000	1	Kippschalter RS 501	
06	146 1284 000	2	Abdeckkappe	
07	1466683000	1	Sicherheitsschalter	
08	146 2071 000	1	Bedienfeld links	[1]
09	146 0845 000	1	Schalter	
10	1463394000	1	DECAL CONTROL PANEL RT	[1]
11	1463368000	1	Schalter	[1]
12	1466161000	1	CONTROLLER MAIN MACHINE KIT	[2]
13	1463729000	1	Schlüsselschalter	
14	146 0845 000	1	Schalter	
15	1463393000	1	DECAL CONTROL PANEL LT	[1]
16	146 1231 000	1	Dichtung links	[1]
18	146 0657 000	4	SPACER	
19	1463524000	1	HARNES CONTROL PANEL BATTERY VERSION	
20	1463587000	1	BUTTON COMPLETE	

Part Notes:

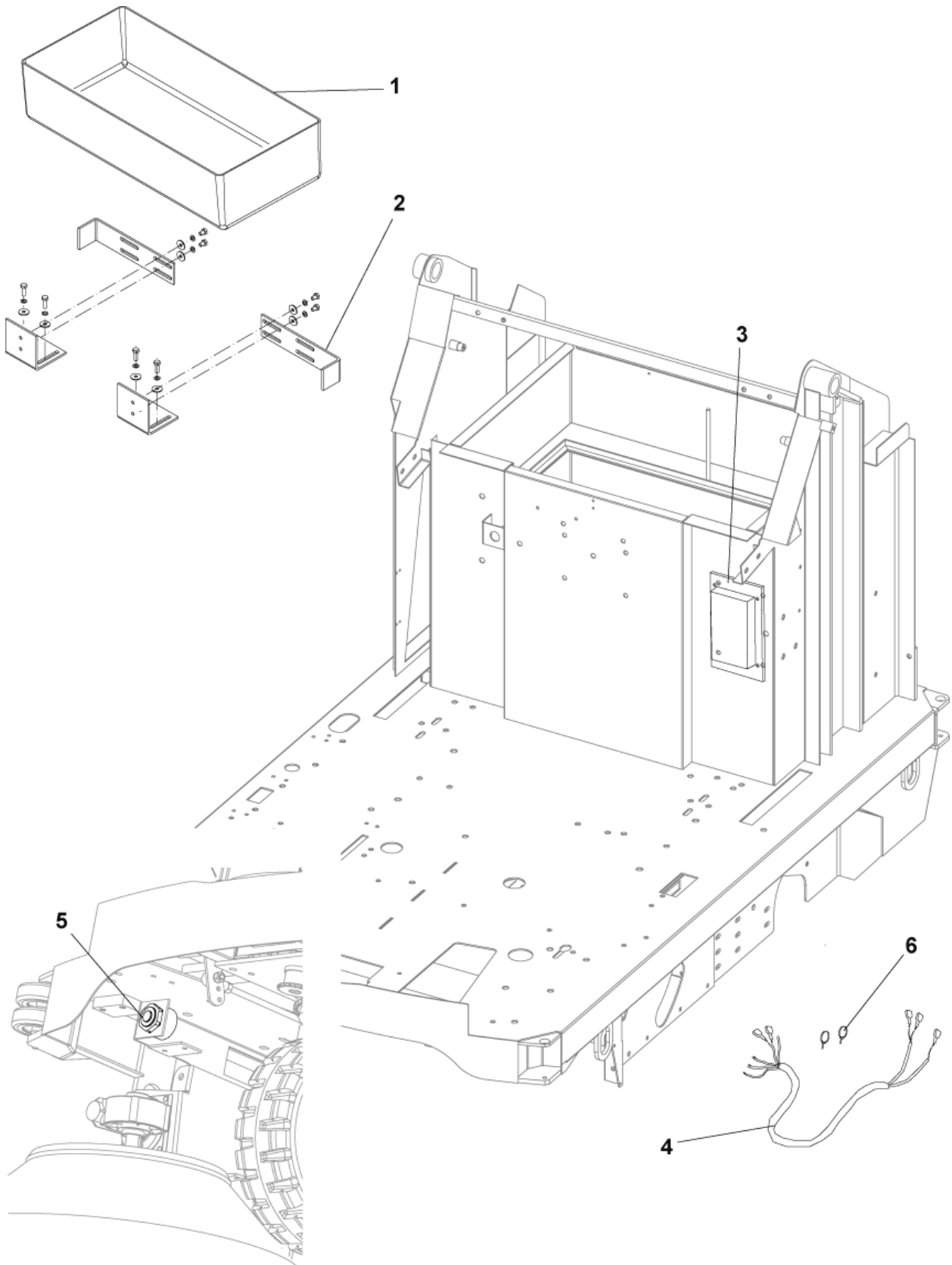
- [1] - STOCK COVERS GUARANTEE
- [2] - INSTALLATION INSTRUCTIONS 1465914000



Pos.	Artikel-Nr.	Menge	Variante	Notes
00	1463526000	1	HARNESSE ELECTRICAL COMPONENTS BOX	[1]
01	146 0841 000	2	Sicherung	
02	146 2414 000	1	BOX. ELECTRIC COMPONENTS	
03	146 2415 000	1	Abdeckung	[1]
04	146 1194 000	1	HARDWARE EL.COMP.BOX KIT	
05	146 0839 000	1	Magnetschalter 24V/120A	[1]
06	146 1169 000	1	Sicherungshalter	
07	146 0840 000	1	Sicherung 150A	
08	146 1170 000	1	Sicherungsschalter SR1301	
09	L08812633	2	Sicherungsautomat 10 Azu SR 100 SB	
10	145 3712 000	3	Relaise 24 V	
11	909 5706 000	1	Hauptschalter 30 A	
12	145 0300 000	1	Relais 24V 120Ah	
13	145 8513 000	5	FUSE BLADE 30A UL	
14	1467034000	3	FUSE BLADE 10A PKD	
15	146 0627 000	2	Abstandshalter	

Part Notes:

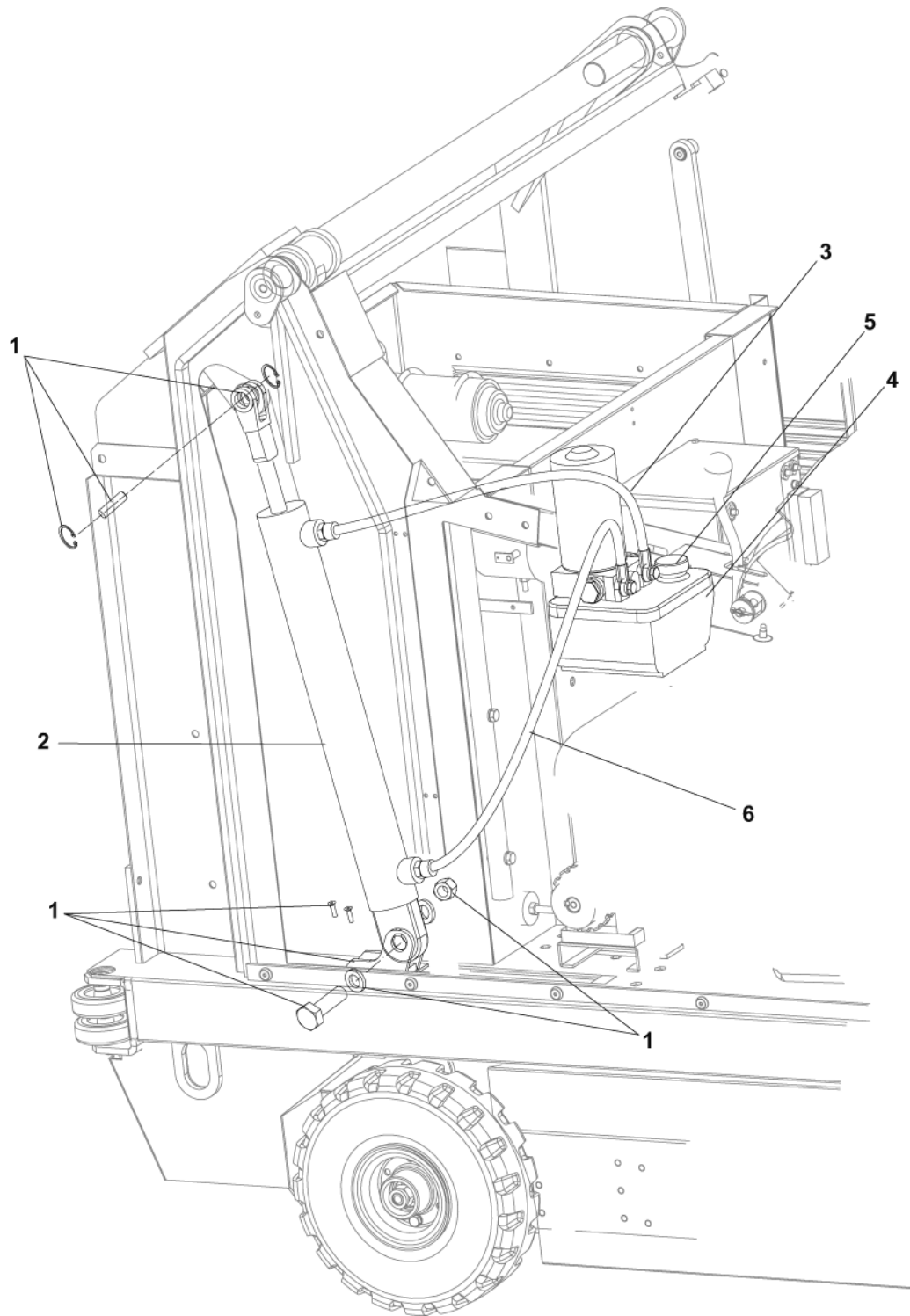
[1] - STOCK COVERS GUARANTEE



Pos.	Artikel-Nr.	Menge	Variante	Notes
00	146 1199 000	1	Eichgerät	[1]
00	1464208000	1	DIODE SWITCH EL. KIT	[2]
00	1465171000	1	Batteriebefestigungs-Set	[3]
01	145 6126 000	1	Batterie-Trog	[4]
02	1463730000	1	BefestigungsKit	
03	1466167000	1	CONTROLLER DRIVE WHEEL PKD	
04	1463525000	1	HARNES MACHINE BATTERY VERSION	[4]
05	909 6126 000	1	Warnton	
06	146 0987 000	2	TIE CABLE ARROWHEAD	

Part Notes:

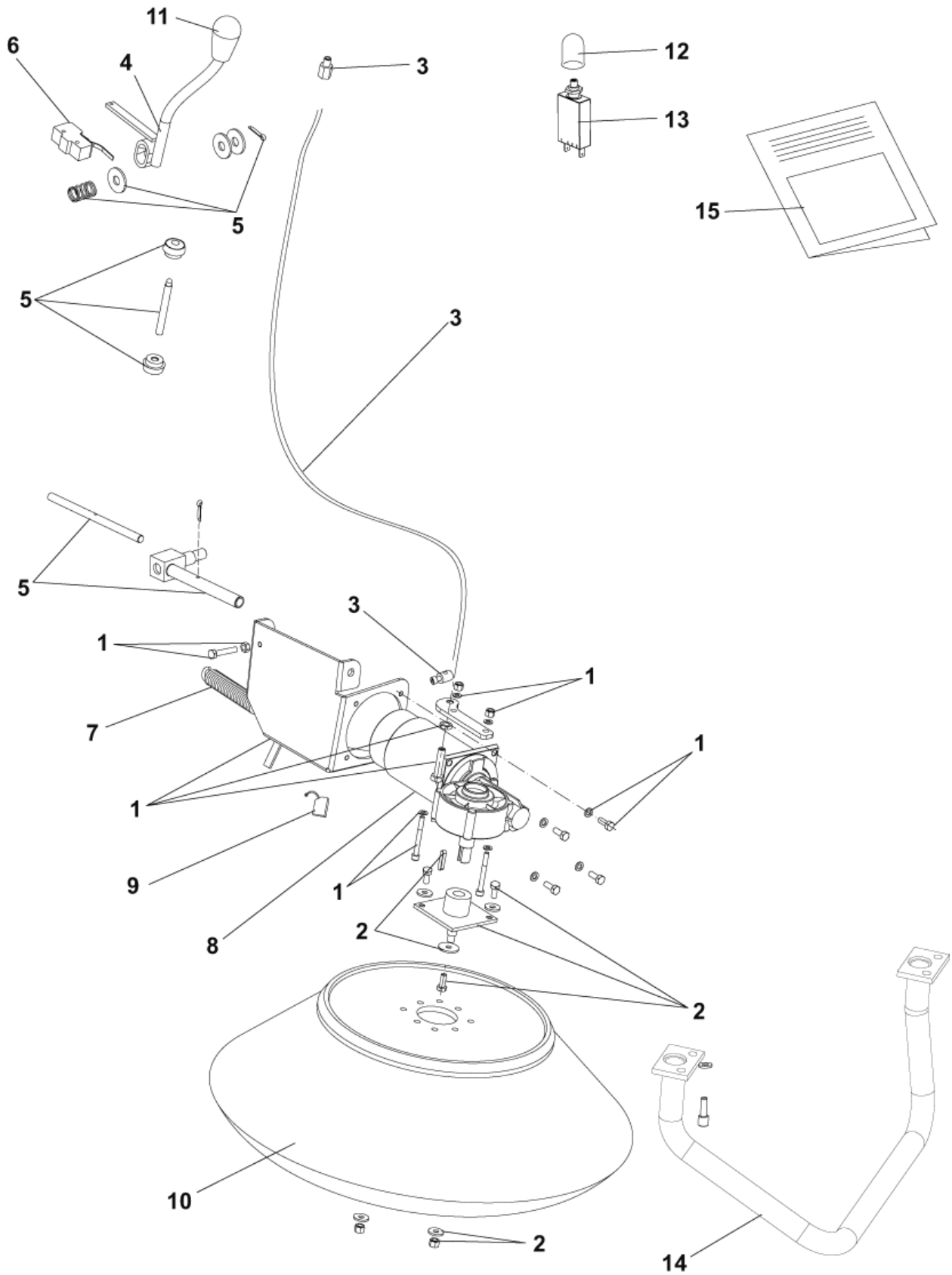
- [1] - FOR 146 0838 000
- [2] - INST.INSTR.1464209000
- [3] - NOT SHOWN - INST.INSTR.1465912000
- [4] - STOCK COVERS GUARANTEE



Pos.	Artikel-Nr.	Menge	Variante	Notes
01	1463711000	1	Hydraulik Kit	
02	146 0885 000	1	Hydraulikzylinder	[1]
03	1463815000	1	Hydraulik Kit für Zylinder	
04	146 0921 000	1	Hydraulikpumpe	[1]
05	146 1868 000	1	Rote Kappe	

Part Notes:

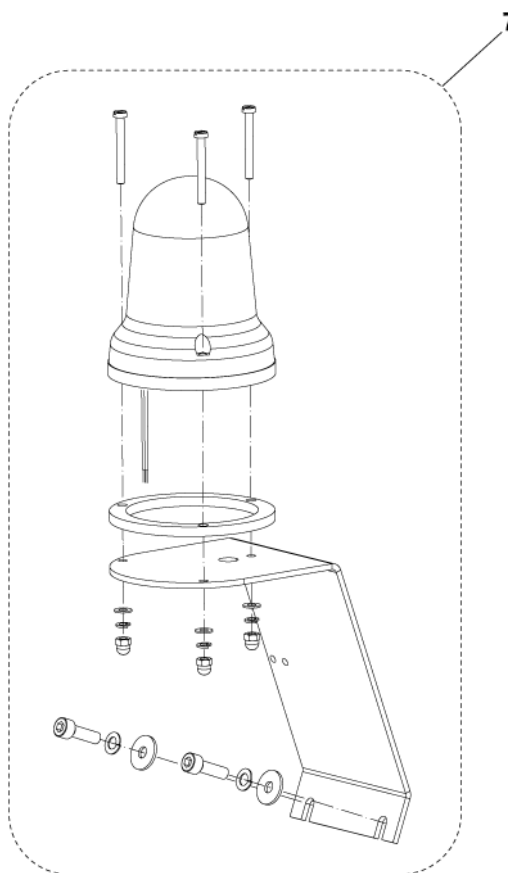
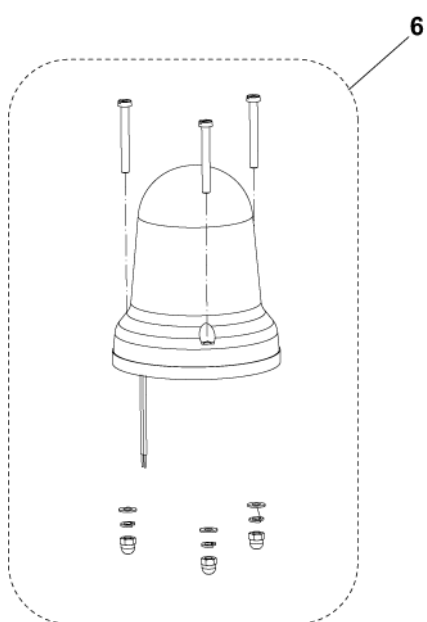
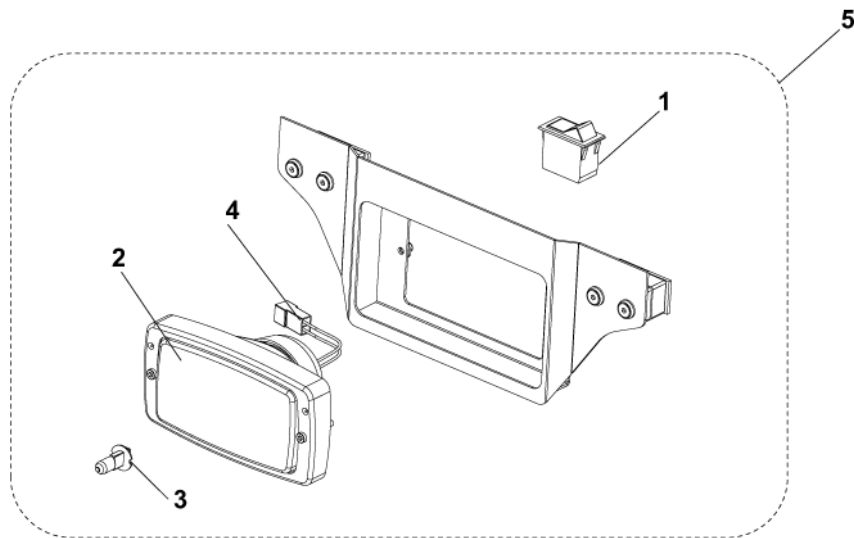
[1] - STOCK COVERS GUARANTEE



Pos.	Artikel-Nr.	Menge	Variante	Notes
00	146 0854 000	1	HARNESS MICROSWITCH	
00	1463489000	1	Seitenbesenset, PP, links	[1]
01	1463778000	1	Getriebsuntersetzung	
02	1463595000	1	Aufnahmekit SeitenbesenSR1301	
03	1463715000	1	Kabelkit li. Seitenbürste	
04	1463372000	1	LEVER LEFT SIDE BROOM	
05	1463597000	1	HARDWARE SIDE BROOM KIT	
06	1466506000	1	MICROSWITCH 10A 250V PKD	
07	146 0986 000	1	SPRING	
08	146 1135 000	1	REDUCTION GEARMOTOR 90W 24V LEFT	
09	145 5125 000	2	Kohle Seitenbesen-motor SR 1100/ECO	
10	146 1148 000	1	Seitenbesen 280x500	[2]
10	146 1149 000	1	Seitenbesen 280x500 mm, Stahlmix	
10	146 1025 000	1	Seitenbesen 280x500 mm, PP 1-1,4	
11	146 0975 000	1	Knopf	
12	146 0841 000	1	Sicherung	
13	L08812633	1	Sicherungsautomat 10 Azu SR 100 SB	
14	1463779000	1	Schutz-Kit linke Seite	

Part Notes:

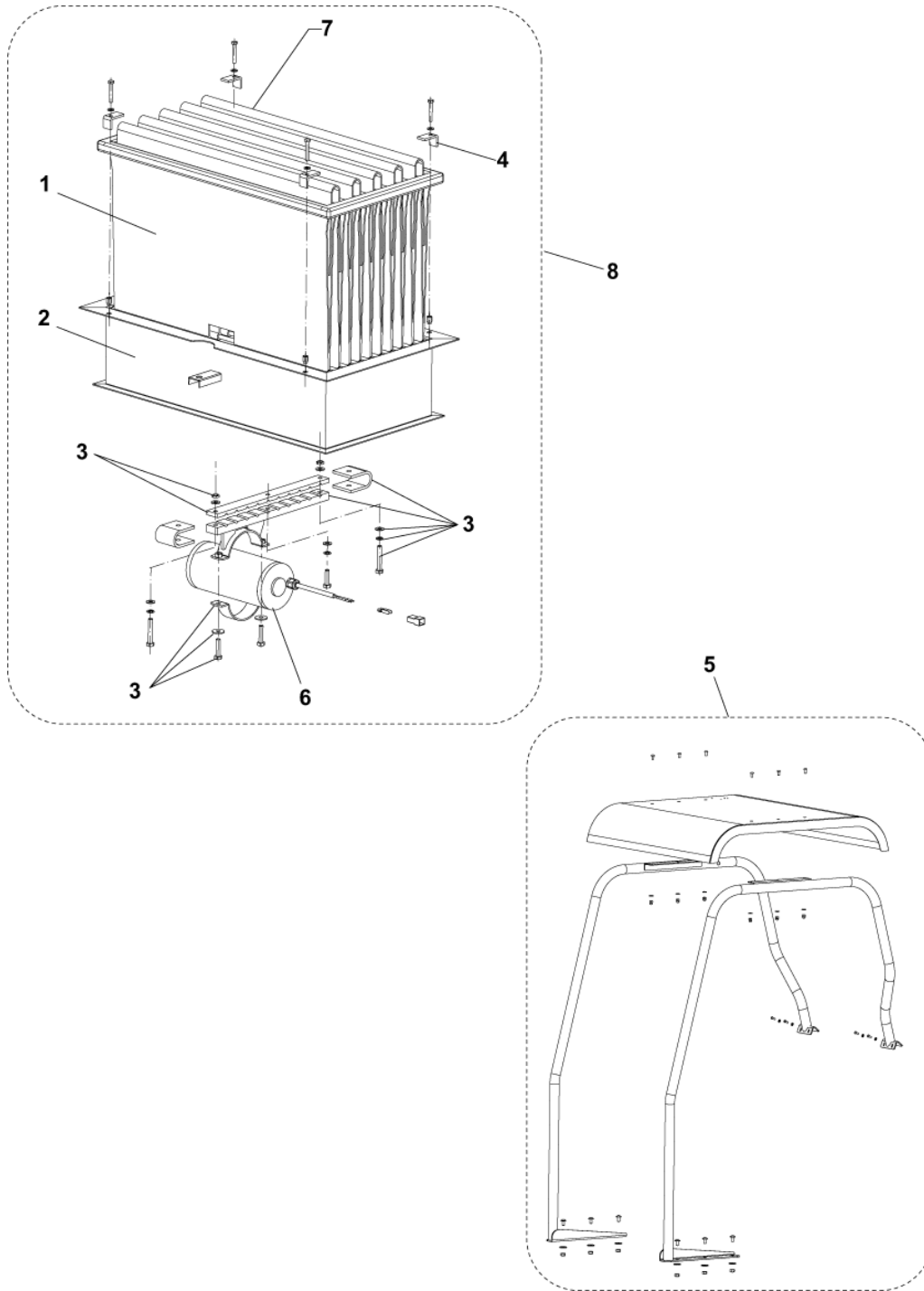
- [1] - PRUNED ACCESSORY
[2] - PI 2015-001 TTY



Pos.	Artikel-Nr.	Menge	Variante	Notes
01	146 1167 000	1	Schalter	
02	146 1196 000	1	LIGHT	[1]
03	146 1198 000	1	Leuchtmittel 24V/55W	[1]
04	146 2179 000	1	HARNESS WORKING LIGHT	[1]
05	146 2680 000	1	Fahrlicht-Set, 24V	[2]
06	146 2098 000	1	Warnleuchte H10-110V, Ersatz	[2]
07	146 2676 000	1	Blinklicht-Set	[2]

Part Notes:

- [1] - STOCK COVERS GUARANTEE
- [2] - PRUNED ACCESSORY



Pos.	Artikel-Nr.	Menge	Variante	Notes
01	146 1239 000	1	Taschenfilter	
02	146 2776 000	1	SUPPORT FOR POCKET FILTER	
03	1463717000	1	HARDWARE FILTER CLOTH POCKET KIT	
04	146 1664 000	4	BRACKET. FILTER FIXING	
05	146 2674 000	1	Fahrerschutzdach	[1]
06	146 2269 000	1	Motor Filterrüttler-Kit	
07	146 1674 000	1	SEPARATOR.FILTER CLOTH	[2]
08	146 2677 000	1	Filter, Gewebetaschen-Set	[1]

Part Notes:

- [1] - PRUNED ACCESSORY
- [2] - STOCK COVERS GUARANTEE

Resource notes:

ITEM 146 2901 000 INCLUDES SWITCH KEY PLUS TWO KEYS

Pos.	Artikel-Nr.	Menge	Variante	Notes
	1467039000	1	SPRING TRACTION CARBON STEEL SIP	
	145 5927 000	1	Spritzgummi seitlich	
	1463777000	1	SUPPORT REDUCTION GEAR MOTOR KIT	
	44905699	1	BEARING BALL 6001 2RS PKD	
	1463597000	1	HARDWARE SIDE BROOM KIT	
	146 0846 000	1	Schalter f. SR1300H B	
	1466167000	1	CONTROLLER DRIVE WHEEL PKD	
	145 8513 000	5	FUSE BLADE 30A UL	
	1467023000	1	HUB LEFT MAIN BROOM PKD	
	145 1849 000	1	Riemenscheibe SR 5110	
	146 0885 000	1	Hydraulikzylinder	[1]
	146 1039 000	1	Motor f.Seitenbesen	[1]
	146 0845 000	1	Schalter	
	1463877000	1	Steckzapfen Hauptbesen	
	146 1086 000	1	TANK.OIL KIT	
	1463596000	1	CABLE RIGHT SIDE BROOM KIT	
	909 6126 000	1	Warnton	
	146 1025 000	1	Seitenbesen 280x500 mm, PP 1-1,4	
	1463587000	1	BUTTON COMPLETE	
	146 0839 000	1	Magnetschalter 24V/120A	[1]
	146 0921 000	1	Hydraulikpumpe	[1]
	146 1284 000	2	Abdeckkappe	
	145 1851 000	1	Zahnriemen HTD 710 5M 15	
	145 1850 000	1	Riemenscheibe	
	146 1018 000	1	Kehrwalze 300x800 mm, PP 0,8	
	145 3712 000	3	Relaise 24 V	
	146 1868 000	1	Rote Kappe	
	1463593000	1	HARDWARE MAIN BROOM KIT	
	1463589000	1	CABLE MOTOR VACUUM KIT	
	1466161000	1	CONTROLLER MAIN MACHINE KIT	
	145 9578 000	1	SPRING	
	1463371000	1	LEVER RIGHT SIDE BROOM	[1]
	1463368000	1	Schalter	[1]
	146 2792 000	1	Motor	
	145 0300 000	1	Relais 24V 120Ah	
	1463394000	1	DECAL CONTROL PANEL RT	[1]
	146 1169 000	1	Sicherungshalter	
	1463525000	1	HARNES MACHINE BATTERY VERSION	[1]
	1463530000	1	Dichtung	
	1463595000	1	Aufnahmekit SeitenbesenSR1301	
	1464927000	1	FAN RADIAL 24V KIT	
	146 0840 000	1	Sicherung 150A	
	1467637000	2	BEARING BALL 6002 2RS SIP	
	146 1147 000	1	Dichtung	
	1467083000	2	CARBON BRUSH 2 PCS SET	
	1467034000	3	FUSE BLADE 10A PKD	
	1463393000	1	DECAL CONTROL PANEL LT	[1]
	146 0986 000	1	SPRING	
	146 1231 000	1	Dichtung links	[1]
	1463318000	1	Hebel f. Kehrwalze	[1]
	1463729000	1	Schlüsselschalter	
	146 0975 000	1	Knopf	
	145 5929 000	1	Halter SR 1100 ECO	
	1466506000	1	MICROSWITCH 10A 250V PKD	
	1463320000	1	Achse	[1]
	1463382000	1	Hydraulikschlauch 1/4R1	
	L08812633	2	Sicherungsautomat 10 Azu SR 100 SB	
	1466733000	4	CLAMP PIPE FIXING D.18 -PAIR- SIP	
	145 5035 000	1	Griffmutter M 8	

Pos.	Artikel-Nr.	Menge	Variante	Notes
	1463381000	1	HOSE HYDRAULIC 1/4 R1 L 620MM	
	1463591000	1	HARDWARE CONTROLLER MAIN BROOM KIT	
	1466683000	1	Sicherheitsschalter	
	146 0847 000	1	Kippschalter RS 501	
	146 1170 000	1	Sicherungsschalter SR1301	
	1467024000	1	SPRING PKD	
	909 5706 000	1	Hauptschalter 30 A	
	1463592000	1	SPRING GAS KIT	
	1463307000	1	SUPPORT VACUUM MOTOR	[1]
	145 1791 000	1	Welle Kehrwalze SR 1100Eco	
	1463590000	1	Verschlusskit	
00	1464432000	1	Kohle Kit 4 Stück	
00	146 2901 000	1	Schlüsselschalter kompl.SR 1300 HB	

Part Notes:

[1] - STOCK COVERS GUARANTEE

