

# PARTS LIST



2017.09.27

 **Nilfisk**<sup>®</sup>

 07351-5758060

[kontakt@nilfisk-alto-shop.com](mailto:kontakt@nilfisk-alto-shop.com)



 **Heine**  
Vertriebs-GmbH

**Preisabfrage bzw. Bestellungen der Artikel im Shop unter**

**[www.nilfisk-alto-shop.com](http://www.nilfisk-alto-shop.com)**

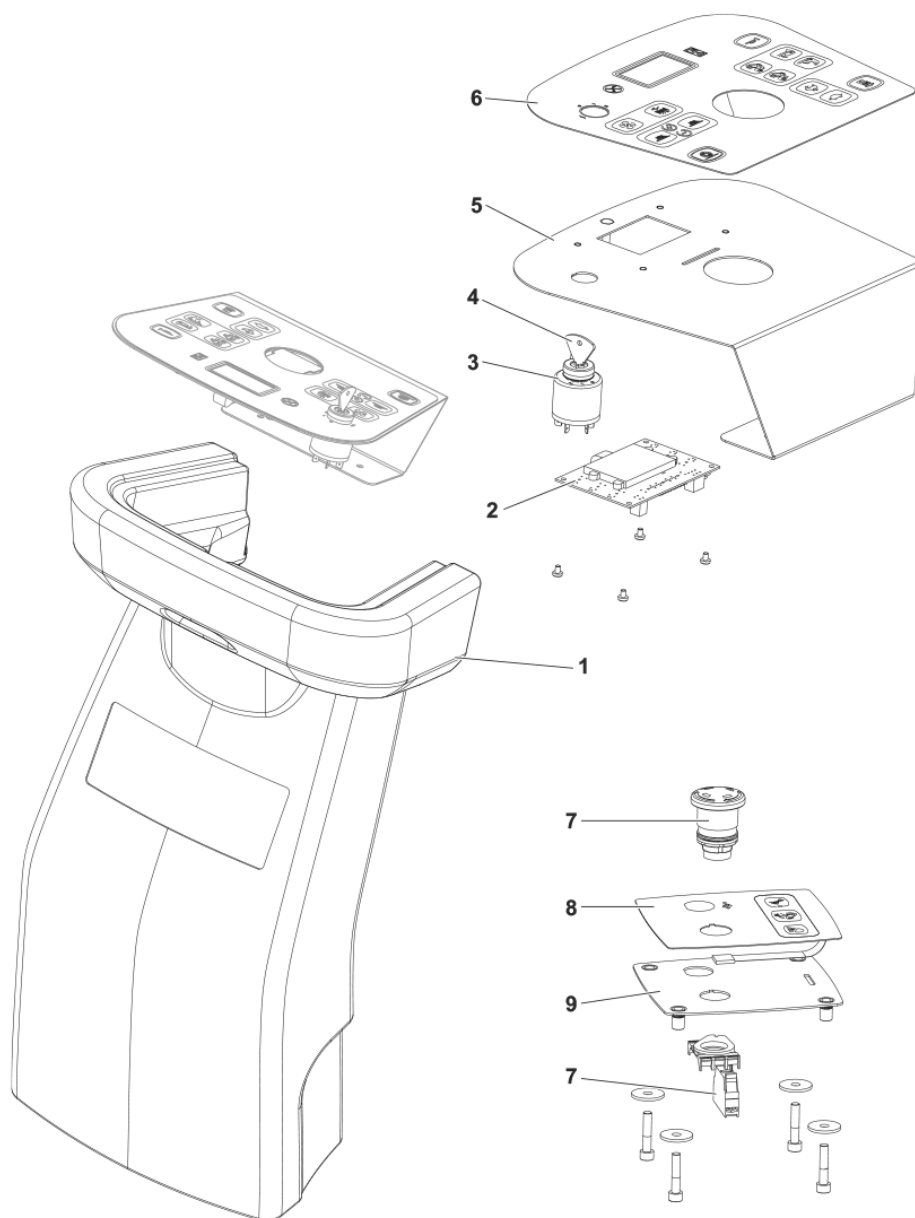
**einfach die Artikelnummer in die Suchmaske eingeben**

**(Bitte die Artikelnummer ohne Leerzeichen eingeben)**

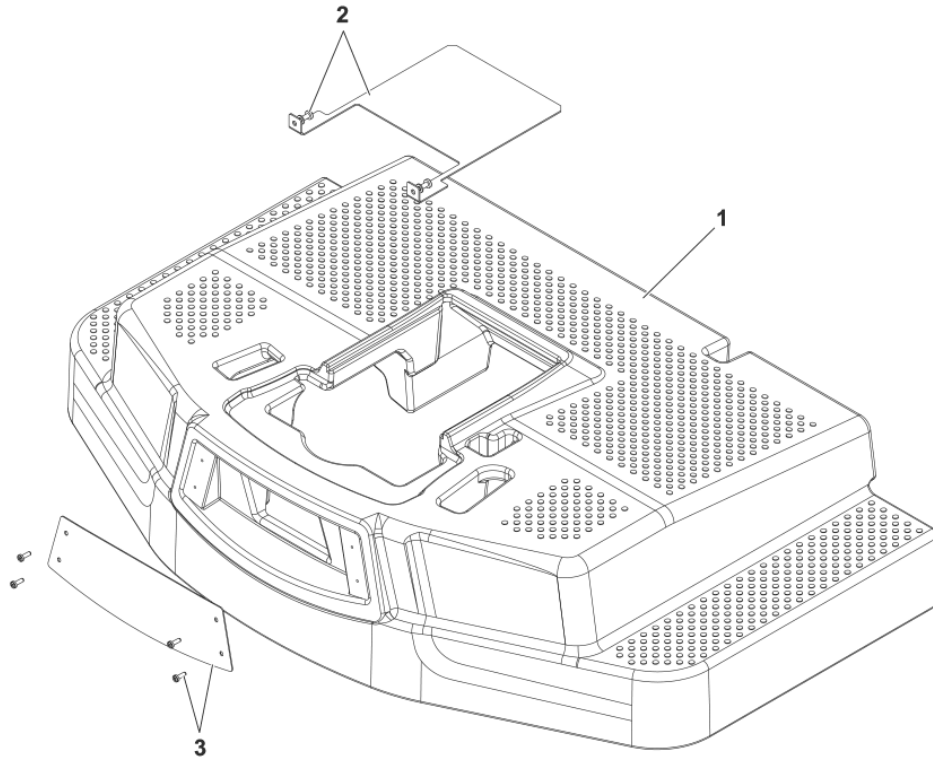
# TABLE OF CONTENTS

---

PL COLUMN DASHBOARD ASSY .....	1
PL FOOTBOARD ASSY .....	3
PL SUPPORT SEAT ASSY .....	5
PL MAIN BROOM ASSY .....	7
PL PLATE ASSY .....	9
PL COVERS ASSY .....	11
PL HATCHES ASSY .....	13
PL STEERING MOTORWHEEL ASSY .....	15
PL ACCELERATOR PEDAL ASSY .....	17
PL BRAKE PEDAL ASSY .....	19
PL REAR WHEELS ASSY .....	21
PL ELECTRICAL COMPONENTS ASSY .....	23
PL RIGHT BROOM ASSY .....	25
PL LEFT BROOM ASSY .....	27
PL MAIN BROOM ADJUSTMENT .....	29
PL LEFT ARM MAIN BROOM ASSY .....	31
PL SKIRTS ASSY .....	33
PL FRONT SKIRT ASSY .....	35
PL LIFTING HOPPER ASSY .....	37
PL MOTORWHEEL ASSY .....	39
PL LIFTING HOPPER ASSY 2 .....	41
PL CYLINDERS ASSY .....	43
PL HYDRAULIC ASSY .....	45
PL FILTER SUPPORT ASSY .....	47
PL FAN SUPPORT ASSY .....	49
PL SHAKER FILTER ASSY .....	51
PL ACCESSORIES - LIGHT FRONT - USB PORT .....	53
PL VACUUM FAN ASSY .....	55
PL ENGINE FAN ASSY .....	57
PL DIESEL ENGINE ASSY .....	59
PL DIESEL ENGINE SPARES .....	61
PL FUEL TANK ASSY .....	63
PL ALTERNATOR SPARES .....	65
PL ENGINE ISOLATION .....	67
PL ACCESSORIES - FILTER POCKET .....	69
PL ACCESSORIES - GUARD SIDE BROOM .....	71
PL ACCESSORIES - DUSTGUARD .....	73
PL ACCESSORIES - GUARD OVERHEAD - CANOPY FOR OHG .....	75
PL ACCESSORIES - HYBRID .....	77
PL WIRING DIAGRAM DIESEL .....	79
PL RECOMMENDED SW5500 D .....	81



Pos.	Artikel-Nr.	Menge	Variante	Notes
1	1466677000	1	COLUMN PLASTIC GREY SIP	
2	1466681000	1	CONTROLLER DISPLAY SIP	
3	33020442	1	Schlüsselschalter	
4	1467014000	1	KEY F STARTER SWITCH 2 PCS SET	
5	1466682000	1	PLATE MET. BLACK F MAIN DASHBOARD SIP	
6	1466679000	1	DASHBOARD CONTROL PANEL BLUE SIP	
7	1466683000	1	Sicherheitsschalter	
8	1466684000	1	DASHBOARD SIDE CONTROL PANEL PKD	
9	1466685000	1	PLATE MET. BLACK F SIDE DASHBOARD SIP	



# PL FOOTBOARD ASSY

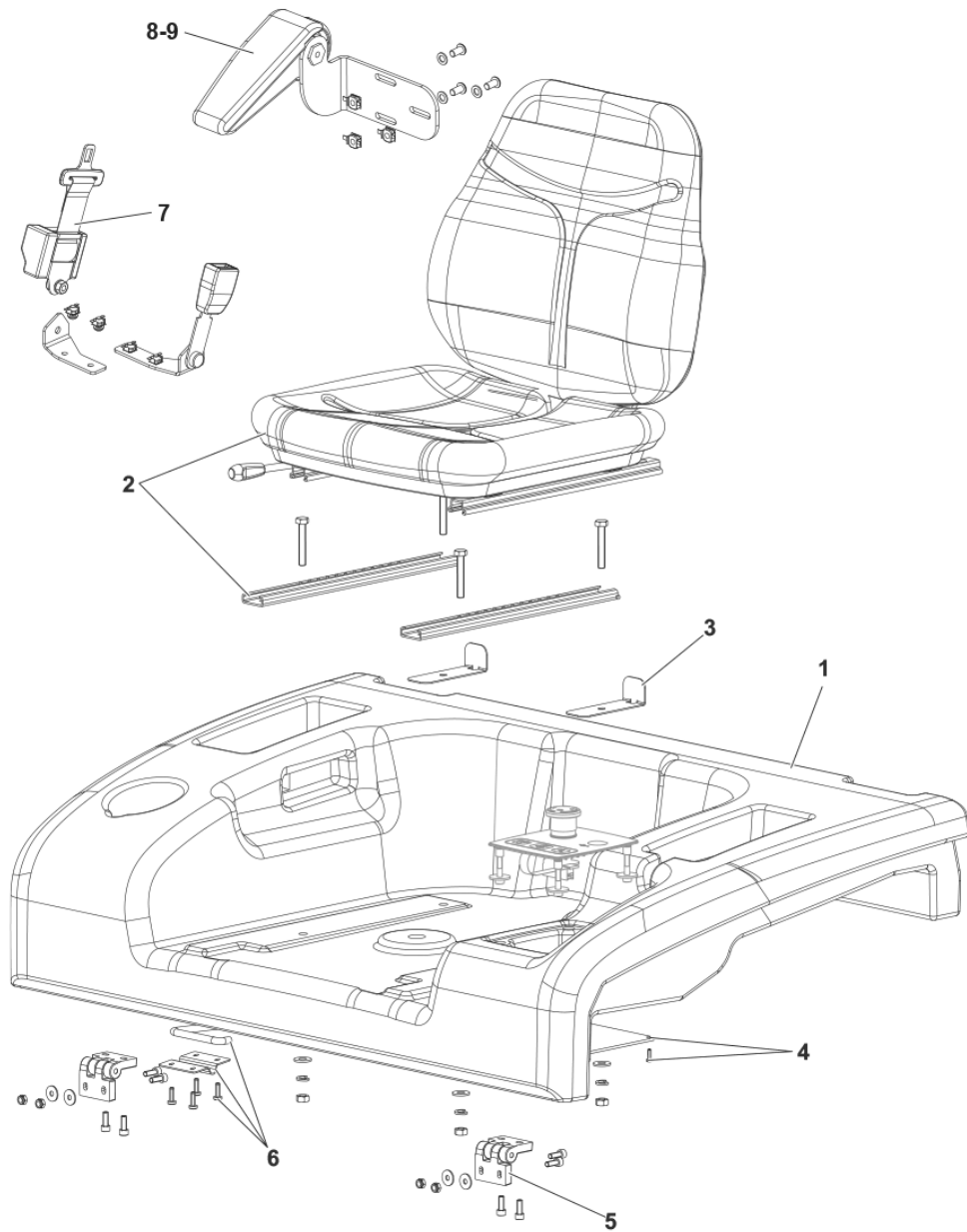
SW5500 D NIL

2016.03.01

2016.03.02

---

<b>Pos.</b>	<b>Artikel-Nr.</b>	<b>Menge</b>	<b>Variante</b>	<b>Notes</b>
1	1466852000	1	FOOTBOARD PLASTIC BLACK KIT	
2	1466847000	1	PLATE MET. F FOOTBOARD INSPECTION KIT	
3	1466848000	1	PLATE MET. BLACK FRONT F FOOTBOARD KIT	

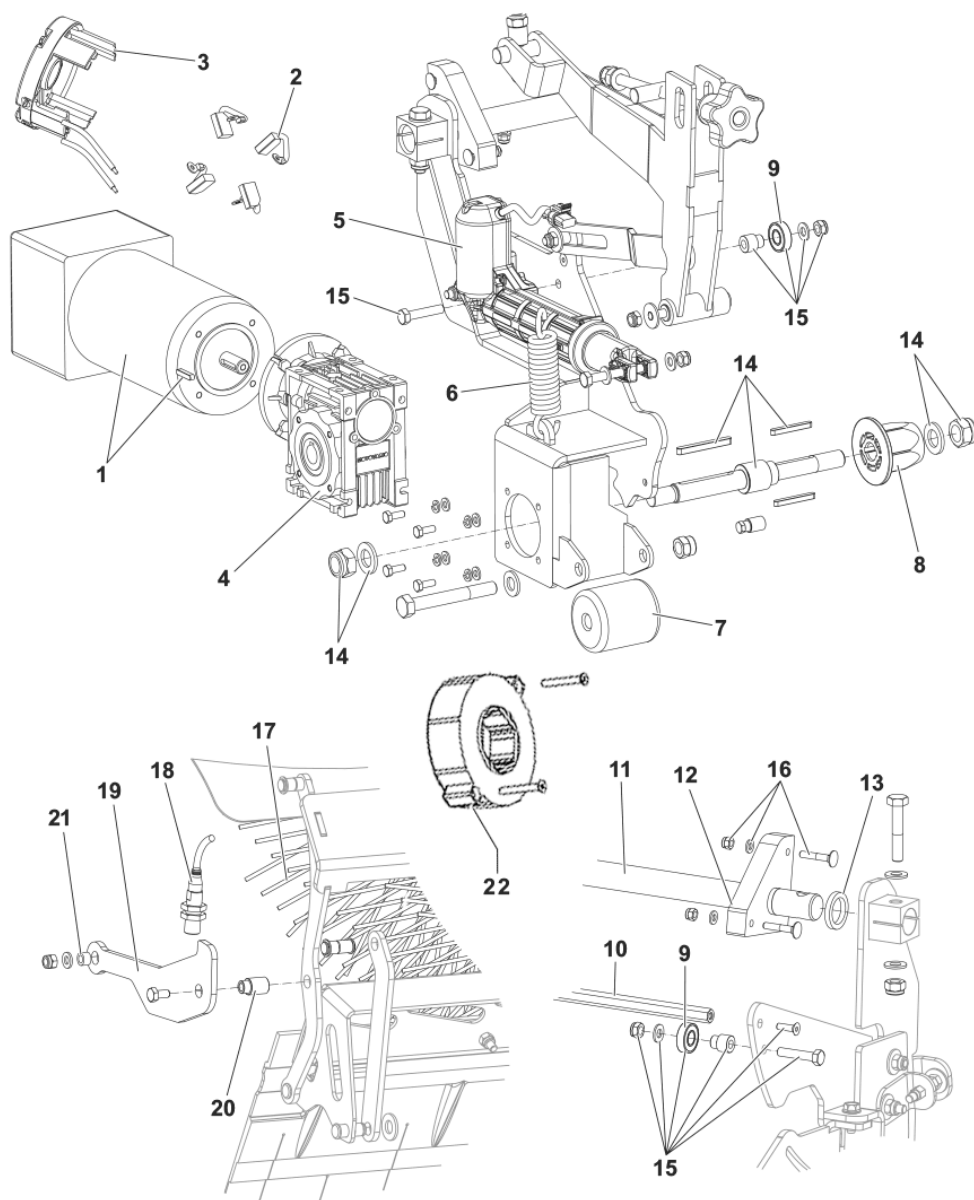




Pos.	Artikel-Nr.	Menge	Variante	Notes
1	1466837000	1	SUPPORT PLASTIC GREY F SEAT SIP	
2	1467028000	1	SEAT PKD	
3	1466937000	2	BRACKET MET. BLACK F SEAT BLOCK SIP	
2	1466887000	1	SEAT SUSPENSION KIT	[1]
3	1467078000	2	BRACKET BLACK SUSPENSION SEAT BLOCK SIP	[2]
4	1466839000	1	COVER PLASTIC F SAFETY SWITCH KIT	
5	9098329000	1	Schanier Kit	
6	1465042000	1	SUPPORT F SAFETY BAR KIT	
7	1464954000	1	Sicherheitsgurt-Set	[3]
8	1464960000	1	Armlehne-Set links	[4]
9	33019556	1	Armlehne-Set rechts	[5]

## Part Notes:

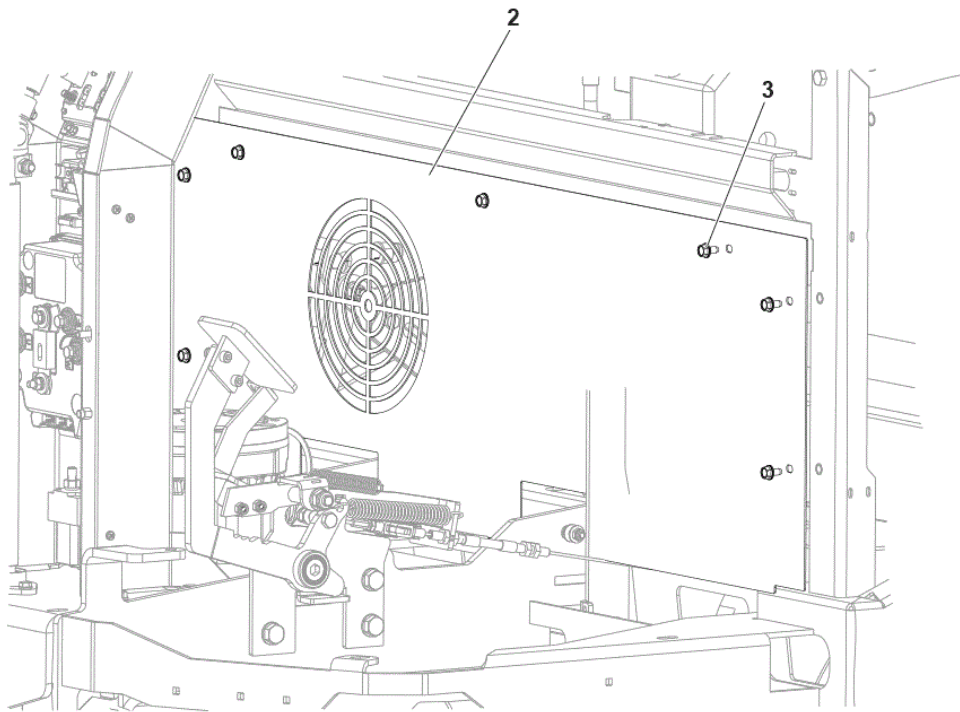
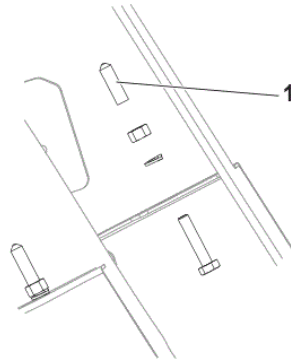
- [1] - OPTIONAL - INS. INSTR. 1466897000
- [2] - FOR SEAT SUSPENSION - REF. 1466887000
- [3] - OPTIONAL - INST. INSTR. 1465247000
- [4] - OPTIONAL - INST. INSTR. 1465249000
- [5] - OPTIONAL



Pos.	Artikel-Nr.	Menge	Variante	Notes
1	1466687000	1	MOTOR 24V 1000W 3800 RPM IP44 MP80L KIT	
2	L08603949	1	Kohlenbürsten Kit 4pcs	
3	1467214000	1	CAP F MP80L MOTOR BRUSHES SIP	
4	1466691000	1	GEAR BOX 7.5/1 71 B14 SIP	
5	1466663000	1	ACTUATOR LINEAR 24V DC STRK 45MM SIP	
6	1467071000	1	SPRING EXTENTION D.E.30 WIRE D.5 SIP	
7	1467069000	1	ROLLER SIDE BLADE SIP	
8	1467056000	1	HUB MAIN BROOM PKD	
9	44905699	2	BEARING BALL 6001 2RS PKD	
10	1466689000	1	SHAFT HEX REINFORCE F MAIN BROOM SIP	
11	1466693000	1	SHAFT GALV. MAIN BROOM SIP	
12	1466694000	2	SUPPORT PLASTIC F MAIN BROOM SHAFT KIT	
13	1466695000	2	SPACER PLASTIC F MAIN BROOM SHAFT KIT	
14	1466690000	1	SHAFT F MAIN BROOM KIT	
15	1466688000	1	SUPPORT F MOVABLE GUIDE KIT	
16	1466692000	2	HARDWARE F MAIN BROOM SUPPORT KIT	
17	1465717000	1	BROOM MAIN 360X850 8R PPL 0.8	
17	1465730000	1	BROOM MAIN 360X850 8R MIX STEEL WHITE	[1]
17	1465731000	1	BROOM MAIN 360X850 8R PPL 1 BLACK	[1]
18	1467062000	1	SWITCH BACK UP PROXIMITY PKD	
19	1466705000	1	PLATE LINKING GALV. F FRONT SKIRT SIP	
20	1466865000	1	PIN D10/13 GALV. SIP	
21	1467037000	1	SPACER 6.1X10X6.5 PKD	
22	1467525000	1	HUB CPL F MAIN BROOM KIT	[2]

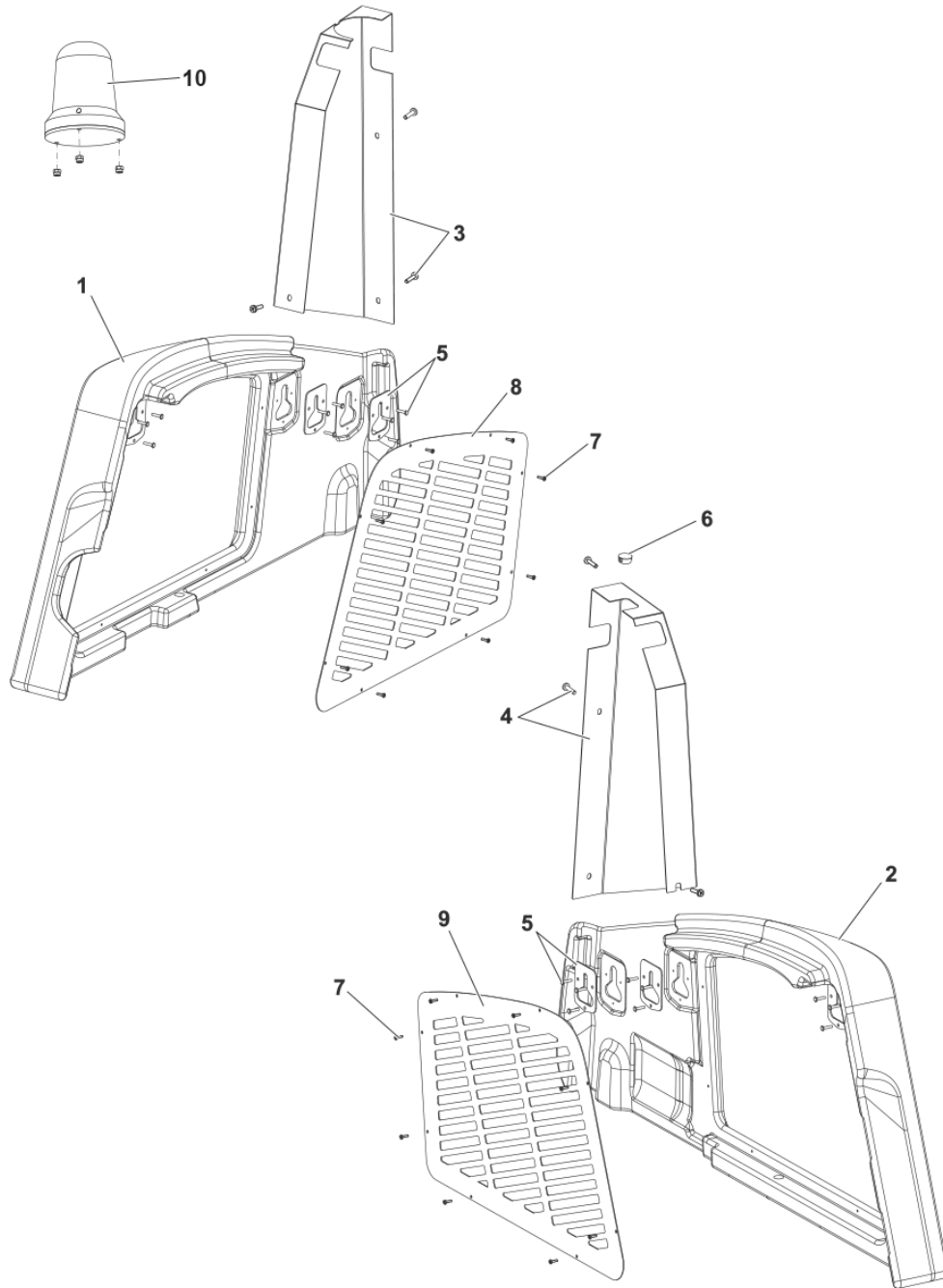
## Part Notes:

- [1] - OPTIONAL  
[2] - FOR ALLMAIN BROOMS: 1465717000 - 1465730000 - 1465731000

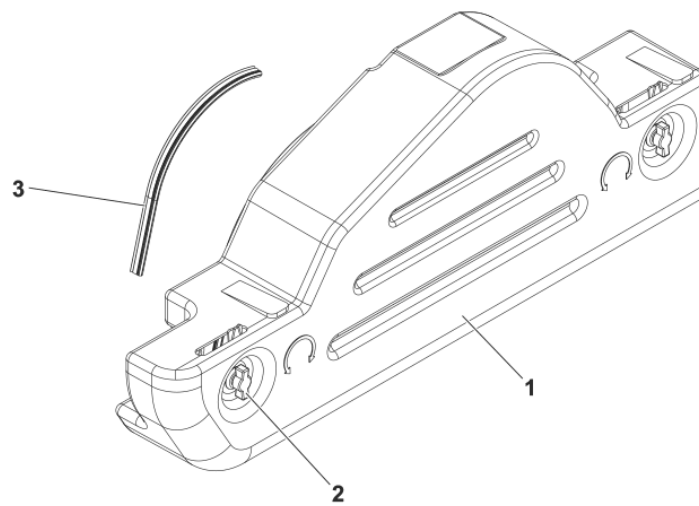
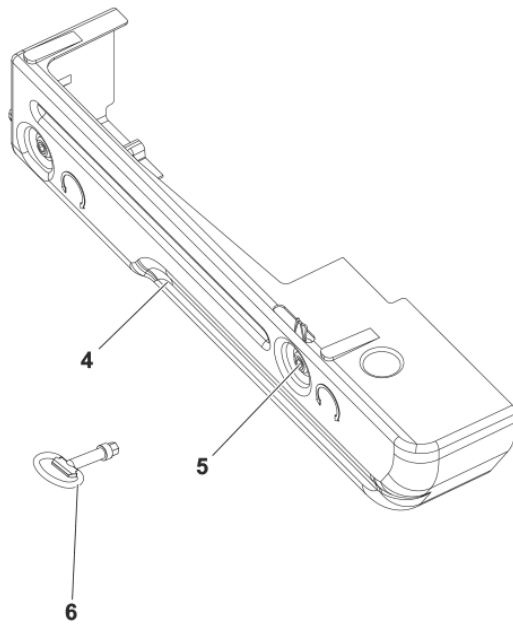


---

Pos.	Artikel-Nr.	Menge	Variante	Notes
1	1467013000	2	CAP VINYL 3 PCS SET	
2	1466864000	1	PANEL METAL FRONT F CHASSIS BLACK KIT	
3	1467022000	4	SCREW M6X12 HEX HD DIN7500 2 PCS SET	



Pos.	Artikel-Nr.	Menge	Variante	Notes
1	1466844000	1	COVER RT PLASTIC GREY KIT	
2	1466843000	1	COVER LT PLASTIC GREY KIT	
3	1466841000	1	COVER METALLIC BLACK RT SHOULDER KIT	
4	1466840000	1	COVER METALLIC BLACK LT SHOULDER KIT	
5	1466842000	6	PLATE F SIDE PANEL FIXING KIT	
6	1467027000	1	PLUG DOME PLASTIC BLACK D.22.6 SIP	
7	1467008000	2	SCREW 3.5X12 PAN PHIL W/O BIT 10 PCS SET	
8	1466794000	1	GRID SIDE MET. BLACK KIT	
9	1466798000	1	GRID LT MET. BLACK DIESEL VERSION KIT	
10	1464948000	1	Warnleuchte	





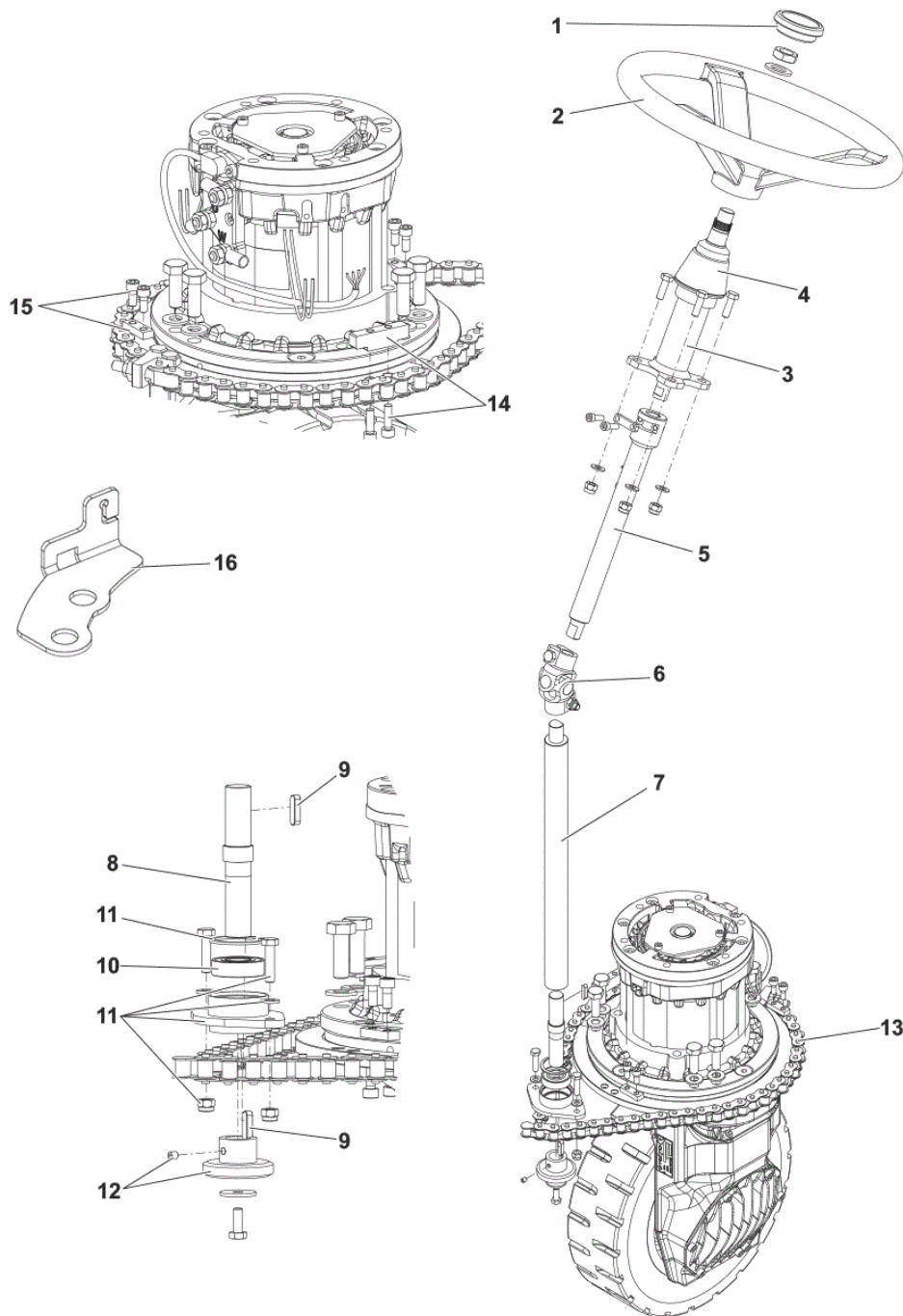
# PL HATCHES ASSY

SW5500 D NIL

2016.03.01

2016.03.02

<b>Pos.</b>	<b>Artikel-Nr.</b>	<b>Menge</b>	<b>Variante</b>	<b>Notes</b>
1	1466849000	1	HATCH LOWER BLACK LT SIDE KIT	
2	1467041000	2	LOCK PKD	
3	1466850000	1	GASKET BULB RUBBER L.415MM SIP	
4	1466851000	1	HATCH LOWER BLACK RT SIDE KIT	
5	1467109000	1	LOCK WITH KEY FOR HATCH PKD	
6	1467057000	1	KEY HEX 10MM MALE PKD	



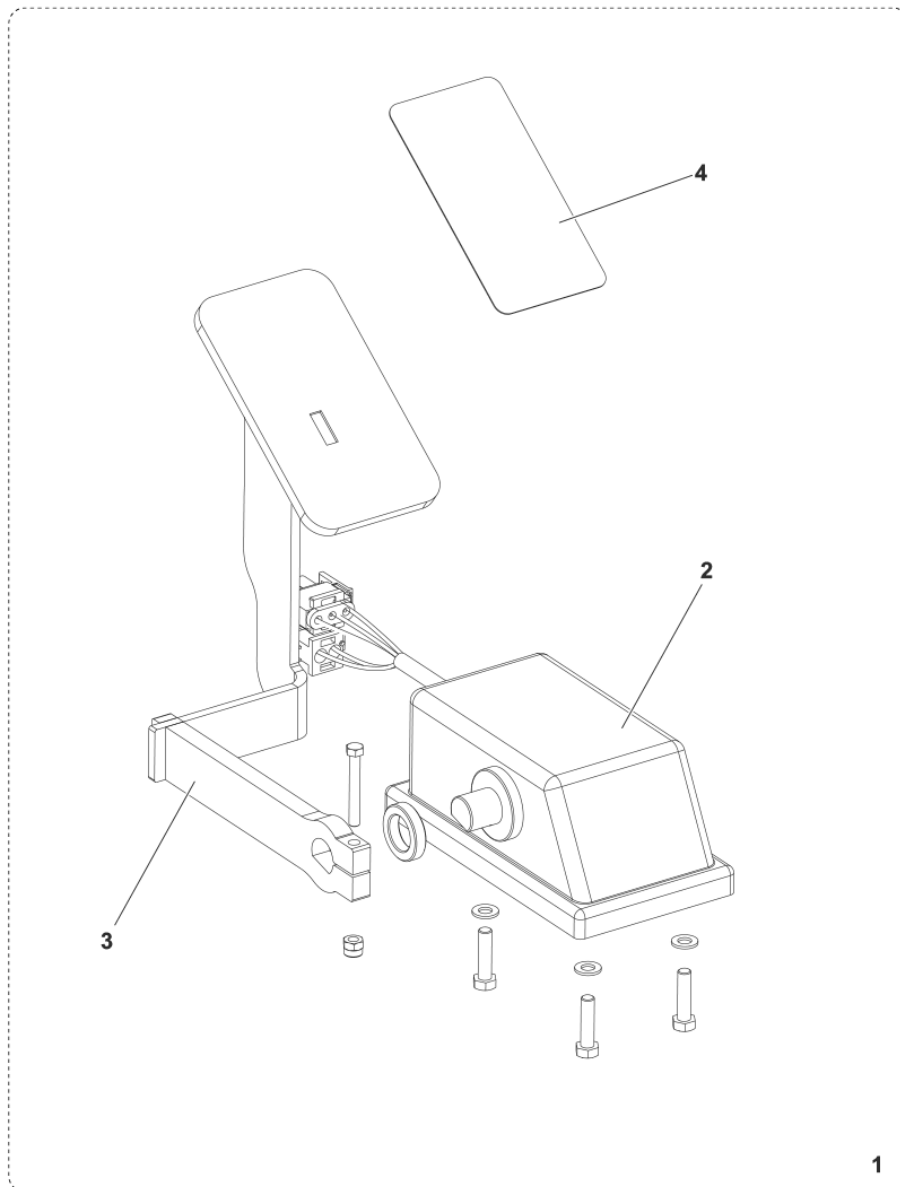
# PL STEERING MOTORWHEEL ASSY

SW5500 D NIL

2016.12.23

2016.12.23

Pos.	Artikel-Nr.	Menge	Variante	Notes
1	1467031000	1	CAP PKD	
2	1467048000	1	WHEEL STEERING D.362 SIP	
3	1466525000	1	COLUMN STEERING SIP	
4	1467055000	1	COVER F STEERING COLUMN SIP	
5	1466593000	1	SHAFT GALV. UPPER F STEERING KIT	
6	1466319000	1	JOINT UNIVERSAL D.17 PKD	
7	1466594000	1	SHAFT GALV. VERTICAL F STEERING SIP	
8	1466595000	1	SHAFT PHOS F STEERING SIP	
9	1466147000	2	KEY 5X5X20 UNI6604A PKD	
10	1467030000	1	BEARING BALL 6003 2RS PKD	
11	1466601000	1	HOUSING PHOS. F STEERING BEARING KIT	
12	1466599000	1	PINION Z8 5/8X3/8 MET. KIT	
13	1466600000	1	CHAIN ISO 10B-1 57 PITCHES 2 LINKS SIP	
14	1466597000	1	STOP F STEERING GALV. ON MOTORWHEEL KIT	
15	1466596000	1	STOP F STEERING GALV. ON CHASSIS KIT	
16	1467574000	1	BRACKET F ACCELERATOR PEDAL SPRING SIP	



# PL ACCELERATOR PEDAL ASSY

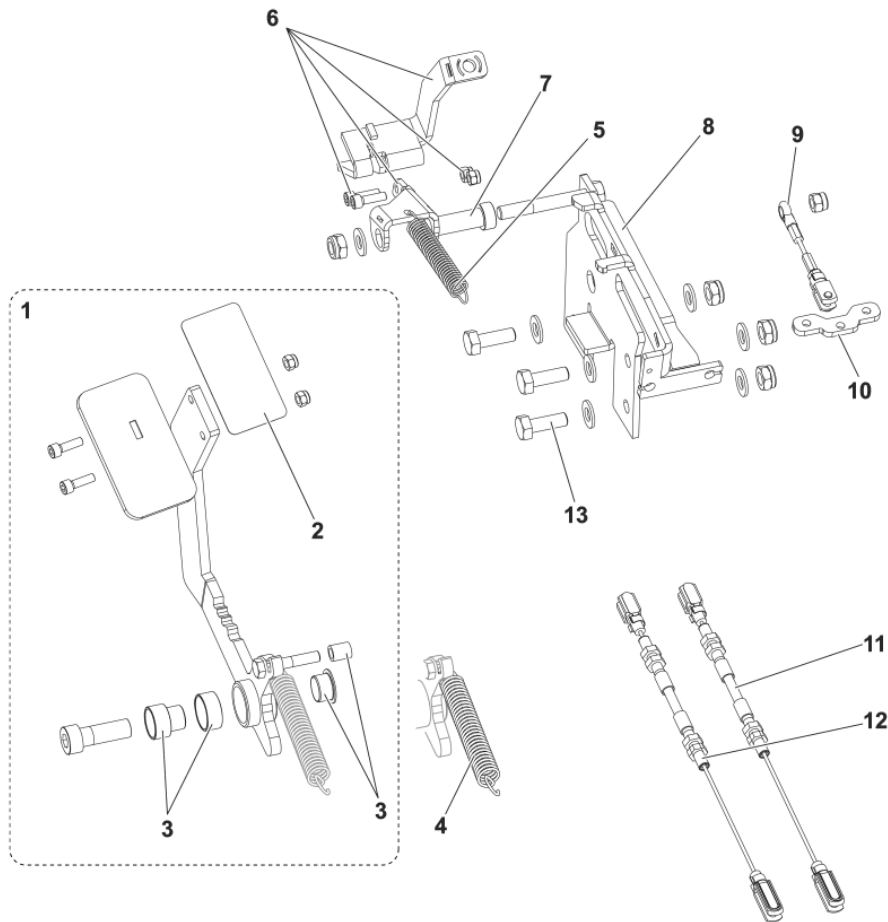
SW5500 D NIL

2016.03.01

2016.03.02

---

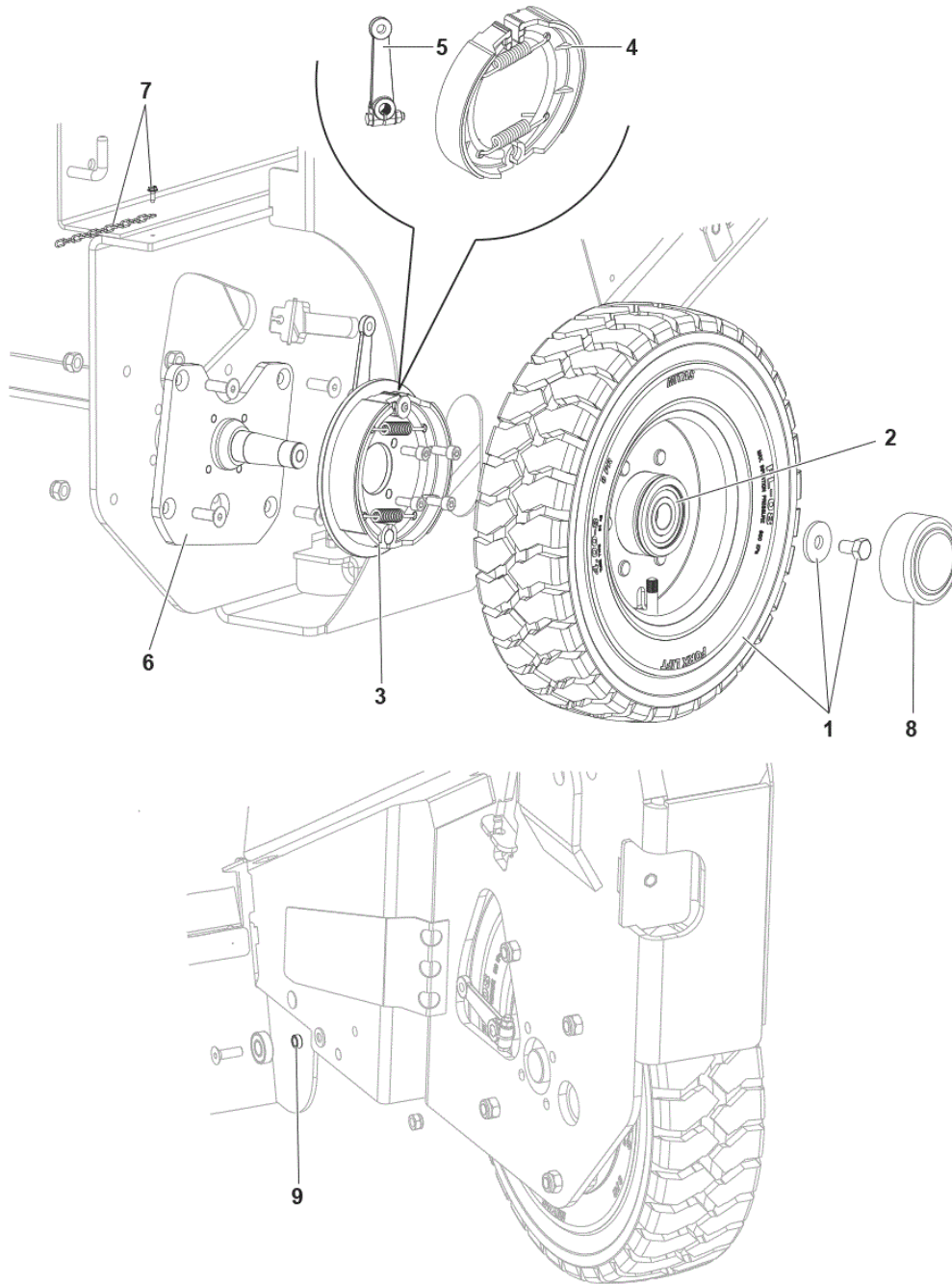
<b>Pos.</b>	<b>Artikel-Nr.</b>	<b>Menge</b>	<b>Variante</b>	<b>Notes</b>
1	1466589000	1	PEDAL ELECTRONIC ACCELERATOR KIT	
2	1466592000	1	ACCELERATOR ELECTRONIC SIP	
3	1466590000	1	PEDAL F ACCELERATOR KIT	
4	1466591000	1	ANTI-SLIP SURFACING BLACK 50X95MM KIT	



Pos.	Artikel-Nr.	Menge	Variante	Notes
1	1466653000	1	PEDAL F BRAKE KIT	[1]
2	1466591000	1	ANTI-SLIP SURFACING BLACK 50X95MM KIT	
3	1466654000	1	BUSHING F BRAKE PEDAL KIT	
4	1467046000	1	SPRING BRAKE SIP	
5	1467039000	1	SPRING TRACTION CARBON STEEL SIP	
6	1466660000	1	PEDAL PARKING BRAKE KIT	
7	1466877000	1	SPACER 54X14X10.2 GALV. SIP	
8	1466659000	1	PLATE MET. BLACK F BRAKE PEDAL SUPP. SIP	
9	1467598000	1	TIE ROD PRIMARY BRAKE SIP	
10	1466657000	1	PLATE GALV. F BRAKES BALANCING SIP	
11	1466655000	1	WIRE F RT BRAKE SIP	
12	1466656000	1	WIRE F LT BRAKE SIP	
13	1466661000	1	HARDWARE F BRAKE PEDAL KIT	

## Part Notes:

[1] - STOCK COVERS GUARANTEE

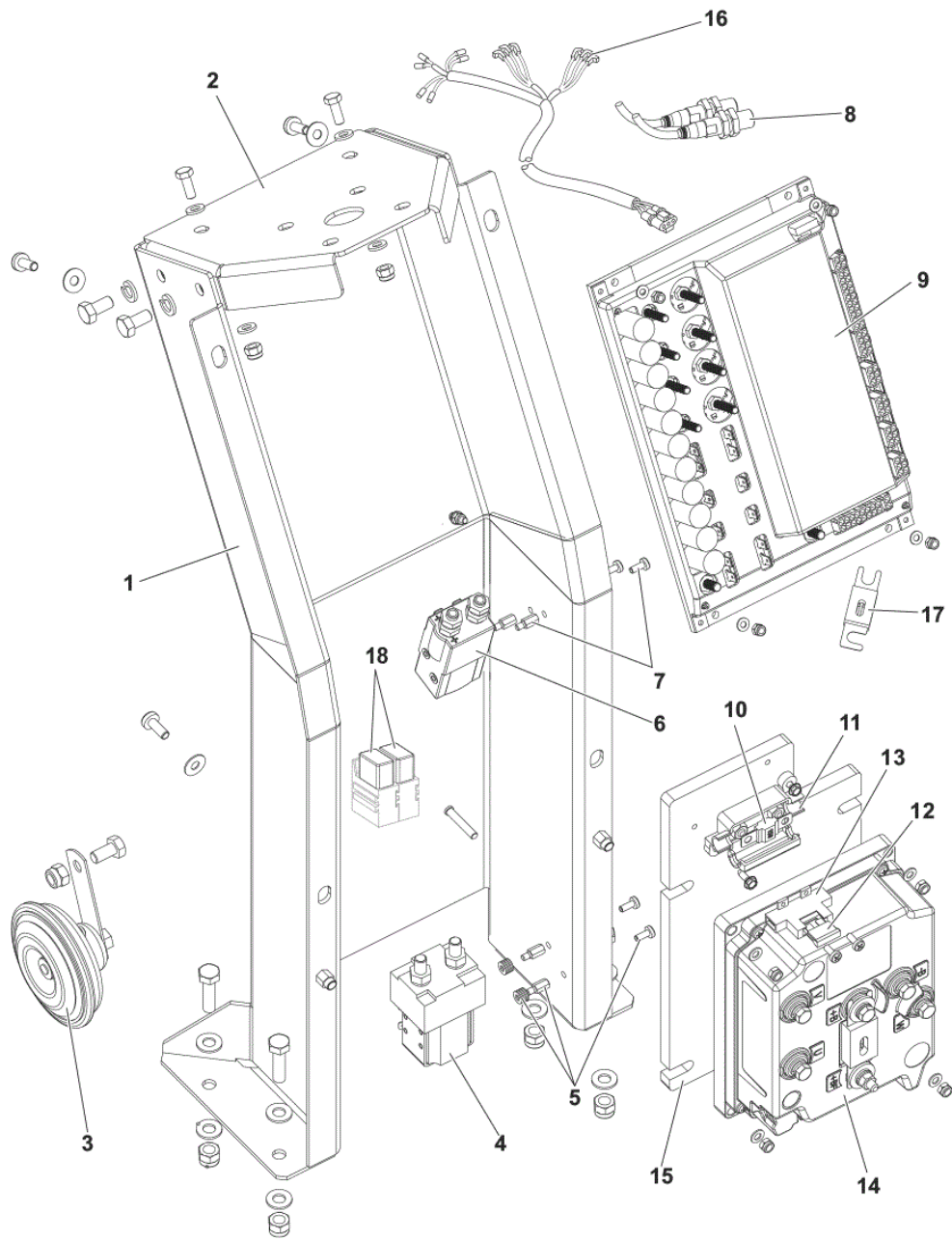




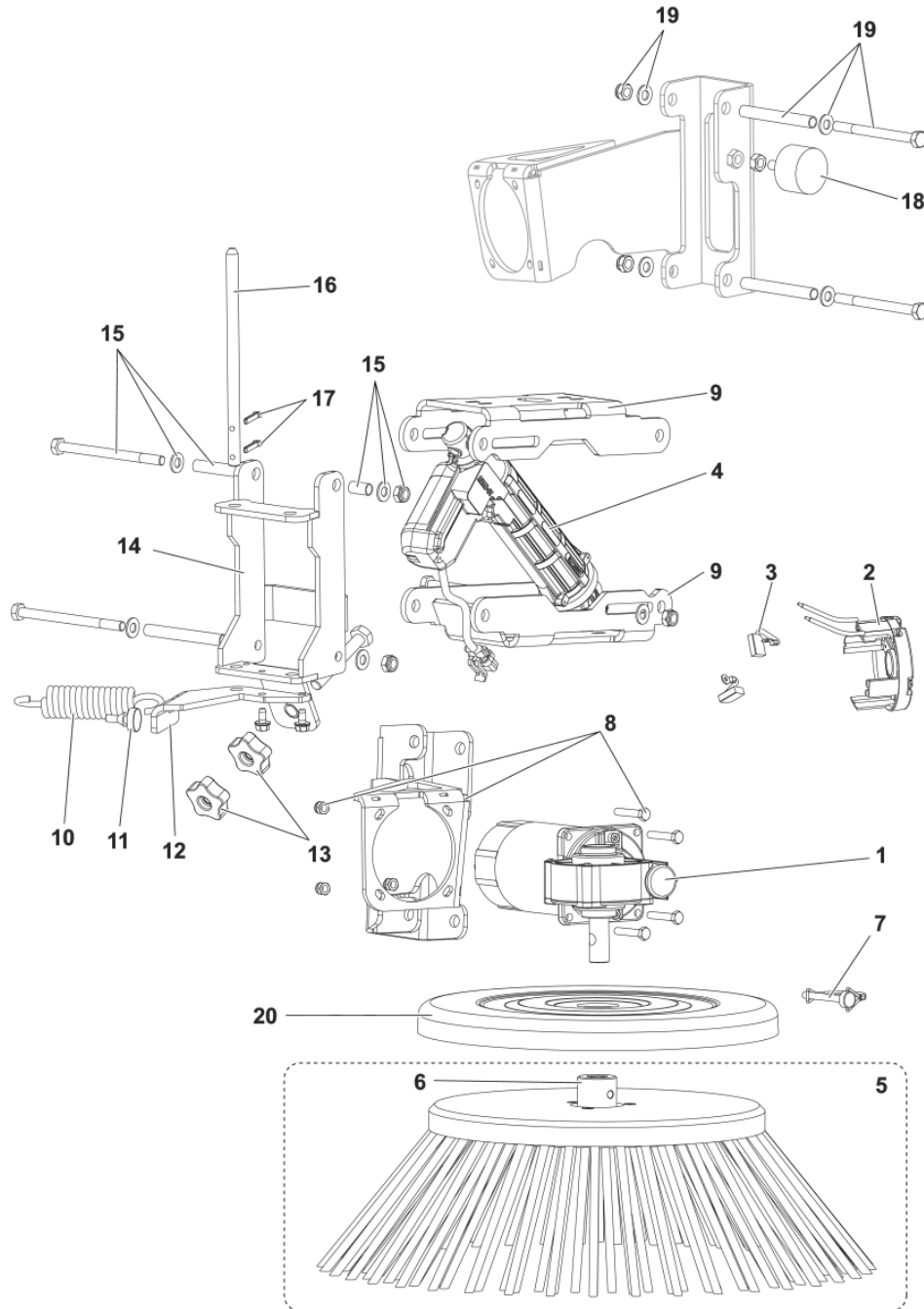
Pos.	Artikel-Nr.	Menge	Variante	Notes
1	1466587000	2	WHEELS FOAMED 4.00-8 CPL KIT	
1	1466588000	2	WHEELS SOLID 4.00-8 NON MARKING CPL KIT	[1]
1	1466860000	2	WHEELS SOLID 4.00-8 CPL KIT	[1]
2	33023318	2	BEARING AND SPACER F 5.00-8 WHEEL KIT	
3	33020205	2	DRUM BRAKE KIT	
4	1467066000	2	SHOE BRAKE SIP	
5	1467244000	2	LEVER F DRUM BRAKE PKD	
6	1467060000	2	SUPPORT FRONT WHEEL SIP	
7	1466586000	1	CHAIN GROUND L.160MM KIT	
8	1467021000	1	CAP 2 PCS SET	
9	1467026000	1	SPACER 8X12X5 SIP	

Part Notes:

[1] - OPTIONAL



Pos.	Artikel-Nr.	Menge	Variante	Notes
1	1466648000	1	COLUMN METALLIC BLACK F STEERING SIP	
2	1466651000	1	PLATE UPPER STEERING COLUMN MET. SIP	
3	1467032000	1	HORN 24V SIP	
4	1466644000	1	CONTACTOR 24V 200A SIP	
5	1466643000	1	HARDWARE F HIGH CONTACTOR FIXING KIT	
6	1466645000	1	CONTACTOR 24V 100A SIP	
7	1466628000	1	HARDWARE F HIGH CONTACTOR FIXING KIT	
8	1467062000	2	SWITCH BACK UP PROXIMITY PKD	
9	9100001879	1	CONTROLLER MAIN MACHINE KIT	
10	1466652000	1	FUSE BOLT DOWN 150A SIP	
11	1465073000	1	HOLDER FUSE KIT	
12	1467034000	1	FUSE BLADE 10A PKD	
13	1467035000	1	HOLDER FUSE THERMOPL.UL 94-V0 SIP	
14	1466649000	1	Fahrelektronik 24V 240A A.C. SIP	
15	1466650000	1	PLATE TRAC. BOARD HEAT SINK ALLUM. SIP	
16	1467551000	1	HARNESSE STEERING COLUMN SIP	
17	1467241000	1	FUSE BOLT-DOWN 160A SIP	
18	146 1646 000	2	RELAY 24V	



Pos.	Artikel-Nr.	Menge	Variante	Notes
1	1466668000	1	MOTOR GEARBOX 24VDC 120W RT BROOM SIP	
2	1467215000	1	CAP F MOTOR BRUSHES SIP	
3	1467083000	1	CARBON BRUSH 2 PCS SET	
4	1466663000	1	ACTUATOR LINEAR 24V DC STRK 45MM SIP	
5	1466670000	1	BROOM SIDE 302X500 PPL 1.5 BLACK	
5	1466936000	1	BROOM SIDE 302X500 MIX STEEL	[1]
5	1467076000	1	BROOM SIDE 302X500 MIX 5	[1]
6	1466859000	1	HUB F SIDE BROOM SIP	
7	1467070000	1	PIN D.10 BROOM LOCKING PKD	
8	1466667000	1	BRACKET MET. BLACK F RT GEARBOX SUPP KIT	
9	1466662000	2	ARM MET. BLACK F SIDE BROOM SUPP. SIP	
10	1467071000	1	SPRING EXTENTION D.E.30 WIRE D.5 SIP	
11	1467006000	1	PLUG ANTI VIBRATION D.8-D.20 10 PCS SET	
12	1466665000	1	PLATE SIDE BROOM STOP SIP	
13	1467036000	2	KNOB LOBES M10 FEMALE SIP	
14	1466671000	1	SUPPORT MET. BLACK F SIDE BROOM SIP	
15	1466675000	1	HARDWARE F SIDE BROOM SUPPORT KIT	
16	1466676000	1	PIN GALV. F SIDE BROOM SIP	
17	1467005000	1	PIN SPLIT 4X25 UNI1336 10 PCS SET	
18	1467047000	1	BUMPER M8 D.40X25MM SIP	
19	1466673000	1	HARDWARE F RT GEARBOX BRACKET SUPP. KIT	
20	1466669000	1	COVER PLASTIC SIDE BROOM PROTECT. SIP	

Part Notes:

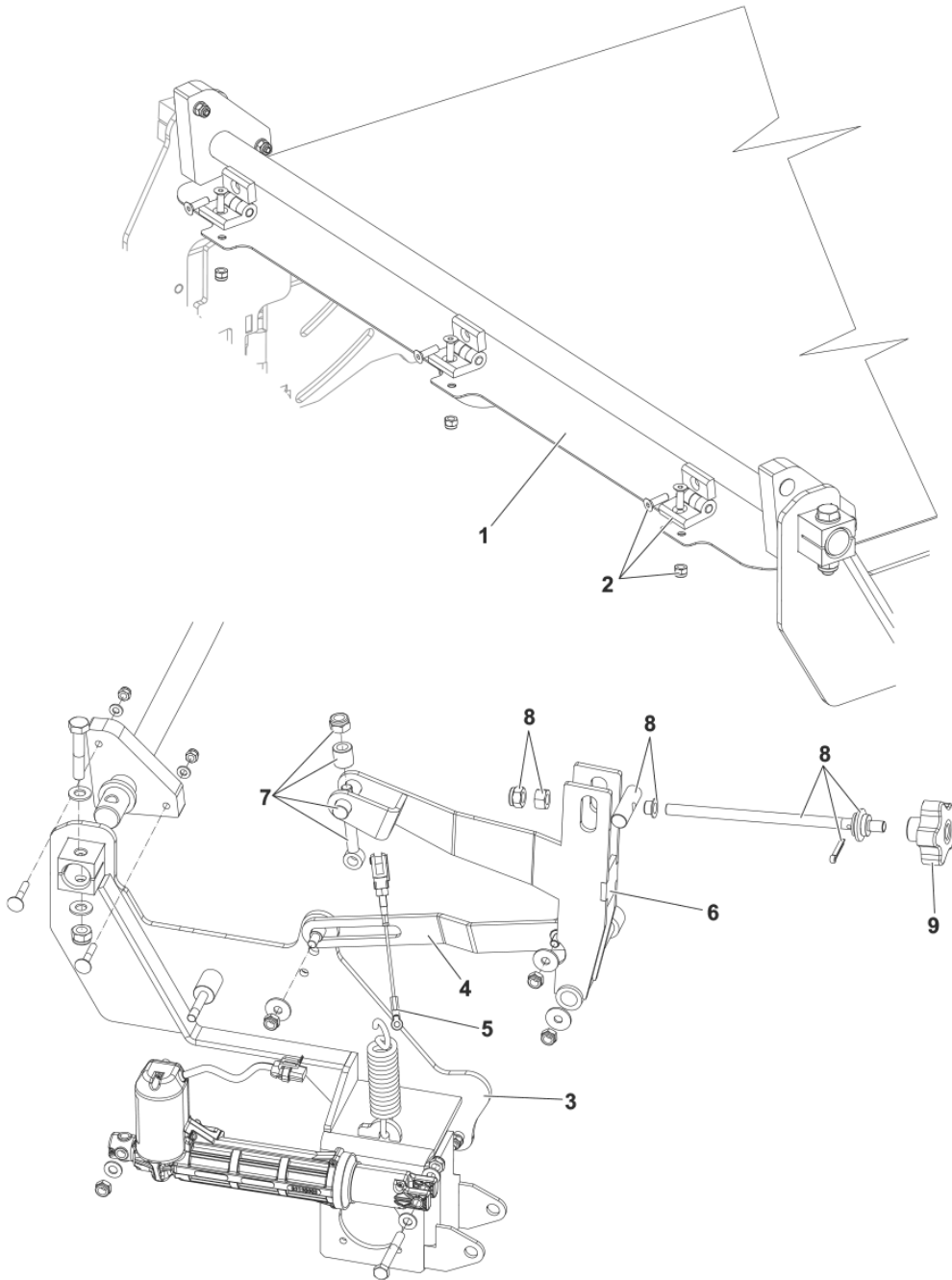
[1] - OPTIONAL



Pos.	Artikel-Nr.	Menge	Variante	Notes
1	1466674000	1	MOTOR GEARBOX 24VDC 120W LT BROOM SIP	
2	1467215000	1	CAP F MOTOR BRUSHES SIP	
3	1467083000	1	CARBON BRUSH 2 PCS SET	
4	1466663000	1	ACTUATOR LINEAR 24V DC STRK 45MM SIP	
5	1466670000	1	BROOM SIDE 302X500 PPL 1.5 BLACK	
5	1466936000	1	BROOM SIDE 302X500 MIX STEEL	[1]
5	1467076000	1	BROOM SIDE 302X500 MIX 5	[1]
6	1466859000	1	HUB F SIDE BROOM SIP	
7	1467070000	1	PIN D.10 BROOM LOCKING PKD	
8	1466666000	1	BRACKET MET. F LT GEARBOX SUPP. KIT	
9	1466662000	2	ARM MET. BLACK F SIDE BROOM SUPP. SIP	
10	1467071000	1	SPRING EXTENTION D.E.30 WIRE D.5 SIP	
11	1467006000	1	PLUG ANTI VIBRATION D.8-D.20 10 PCS SET	
12	1466665000	1	PLATE SIDE BROOM STOP SIP	
13	1467036000	2	KNOB LOBES M10 FEMALE SIP	
14	1466671000	1	SUPPORT MET. BLACK F SIDE BROOM SIP	
15	1466675000	1	HARDWARE F SIDE BROOM SUPPORT KIT	
16	1466676000	1	PIN GALV. F SIDE BROOM SIP	
17	1467005000	1	PIN SPLIT 4X25 UNI1336 10 PCS SET	
18	1467047000	1	BUMPER M8 D.40X25MM SIP	
19	1466672000	1	HARDWARE F LT GEARBOX BRAKET SUPP. KIT	
20	1467555000	1	HARNESS F LT SIDE BROOM SIP	
21	1466669000	1	COVER PLASTIC SIDE BROOM PROTECT. SIP	
22*	1466888000	1	BROOM LEFT SIDE PPL 1.5 KIT	[2]

Part Notes:

- [1] - OPTIONAL
- [2] - OPTIONAL - INST. INSTR. 1466898000





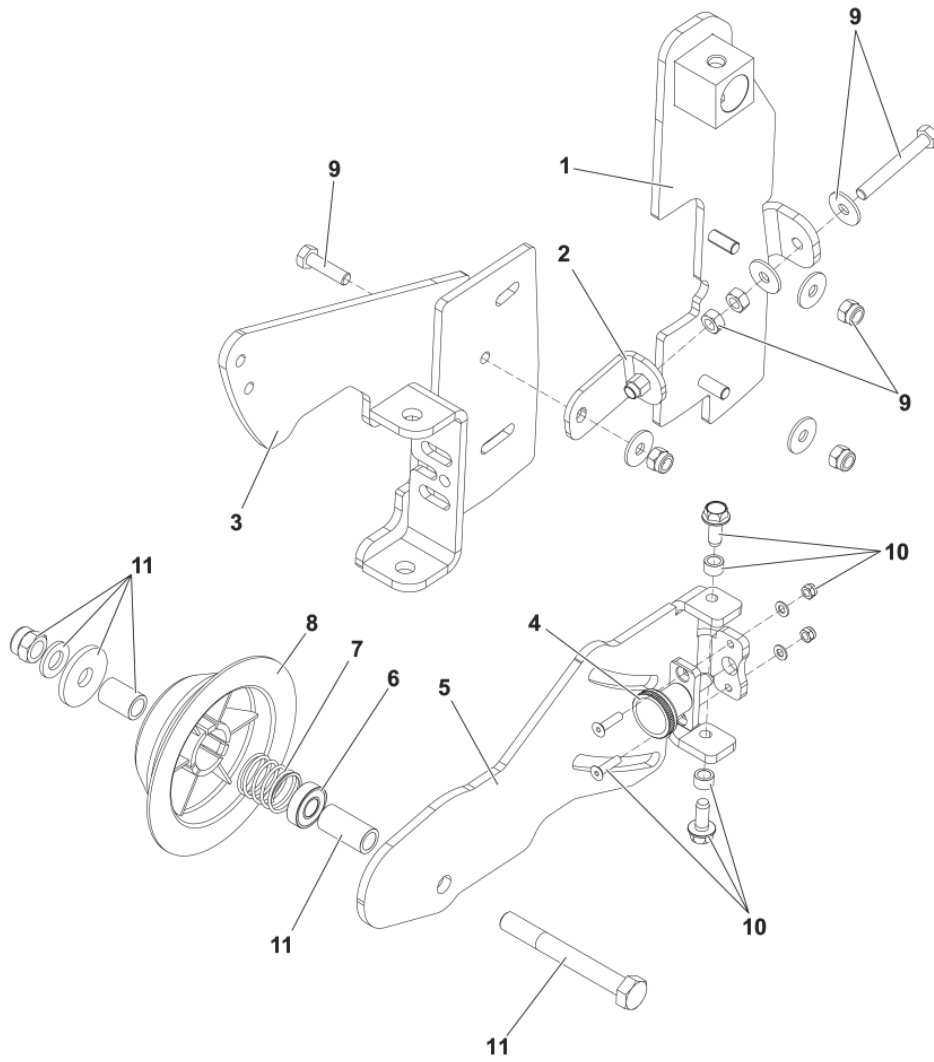
# PL MAIN BROOM ADJUSTMENT

SW5500 D NIL

2016.03.01

2016.10.13

Pos.	Artikel-Nr.	Menge	Variante	Notes
1	1466699000	1	PLATE GALV. MOBILE WALL SIP	
2	1466698000	3	HINGES F MOVABLE WALL KIT	
3	1467527000	1	ARM RT GALV. F MAIN BROOM SUPPORT SIP	
4	1466704000	1	LEVER GALV. F MAIN BROOM SUPPORT SIP	
5	1466697000	1	TIE-ROD METALLIC F BROOM SPRING SIP	
6	1466702000	1	LEVER GALV. F MAIN BROOM LIFTING SIP	
7	1466696000	1	ADJUSTING F MAIN BROOM SPRING KIT	
8	1466700000	1	SCREW F MAIN BROOM SETTING KIT	
9	1466701000	1	KNOB LOBES M10 F W/ORANGE CAP SIP	



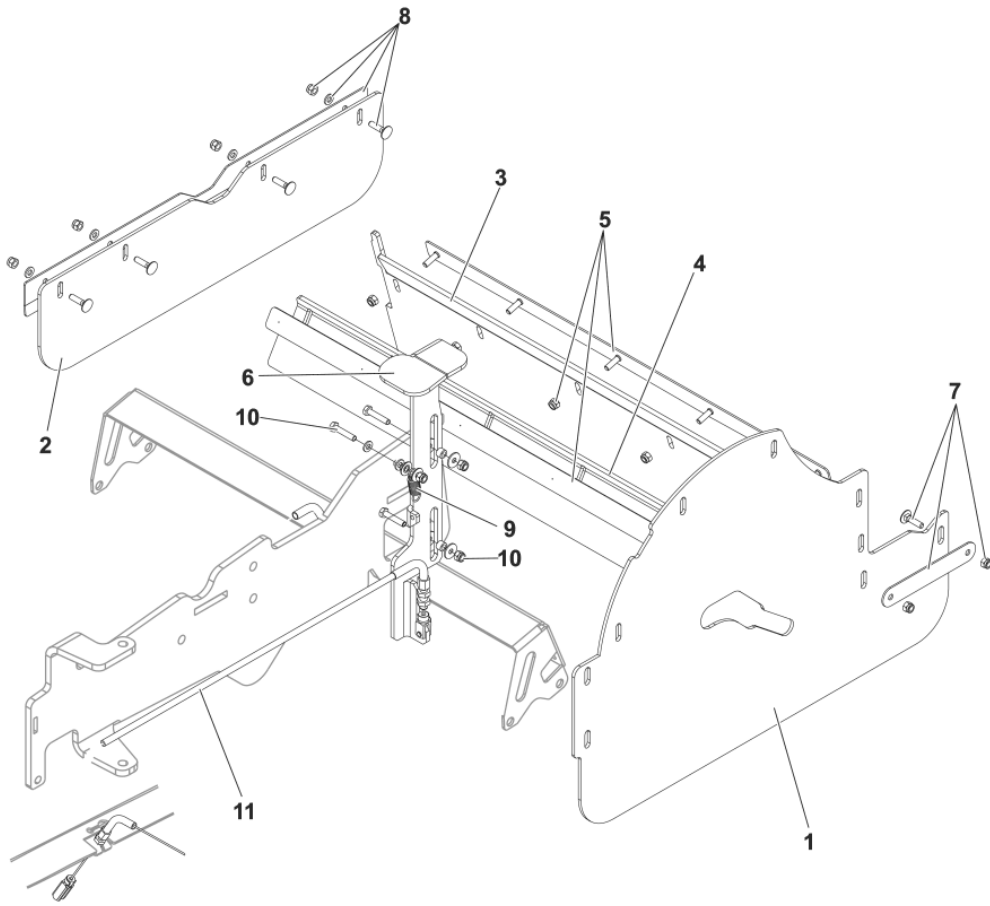
# PL LEFT ARM MAIN BROOM ASSY

SW5500 D NIL

2016.03.01

2016.03.02

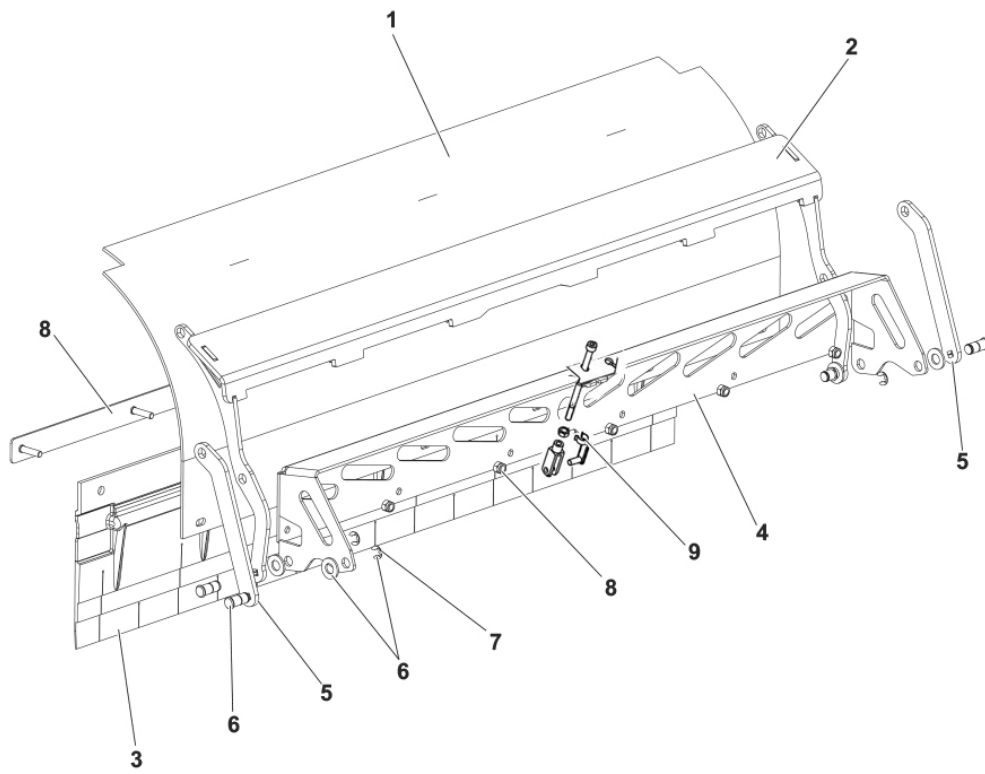
Pos.	Artikel-Nr.	Menge	Variante	Notes
1	1466625000	1	ARM LT GALV. F MAIN BROOM FIXED SIP	
2	1466627000	1	PLATE GALV. F MAIN BROOM SETTING SIP	
3	1466626000	1	ARM LT GALV. F MAIN BROOM MOBILE SIP	
4	1466623000	1	PLUNGER INDEXING WITH FLANGE SIP	
5	1466621000	1	BRACKET GALV. F MAIN BR. INSPECTION SIP	
6	44905699	1	BEARING BALL 6001 2RS PKD	
7	1467024000	1	SPRING PKD	
8	1467023000	1	HUB LEFT MAIN BROOM PKD	
9	1466624000	1	HARDWARE F MAIN BROOM LT ARM KIT	
10	1466622000	1	HARDWARE F MAIN BR. INSPECT. BRACKET KIT	
11	1466620000	1	HARDWARE F IDLE HUB KIT	



Pos.	Artikel-Nr.	Menge	Variante	Notes
1	1466614000	1	SKIRT LT SIDE BLACK RUBBER PKD	
2	1466619000	1	SKIRT RT SIDE BLACK RUBBER SIP	
3	1466613000	1	SKIRT REAR PRIMARY BLACK RUBBER PKD	
4	1466616000	1	SKIRT REAR RECYCLING BLACK RUBBER PKD	
5	1466617000	1	PLATE GALV. F PRIMARY REAR SKIRT KIT	
6	1466611000	1	PEDAL GALV.F FRONT SKIRT RAISING SIP	[1]
6	1467575000	1	PEDAL GALV.F FRONT SKIRT RAISING SIP	[2]
7	1466615000	1	PLATE GALV. F LT SKIRT KIT	
8	1466618000	1	PLATE GALV. F RT SIDE SKIRT KIT	
9	1467039000	1	SPRING TRACTION CARBON STEEL SIP	
10	1466610000	1	HARDWARE F FRONT SKIRT PEDAL KIT	
11	1467577000	1	WIRE F FRONT SKIRT RAISING SIP	

## Part Notes:

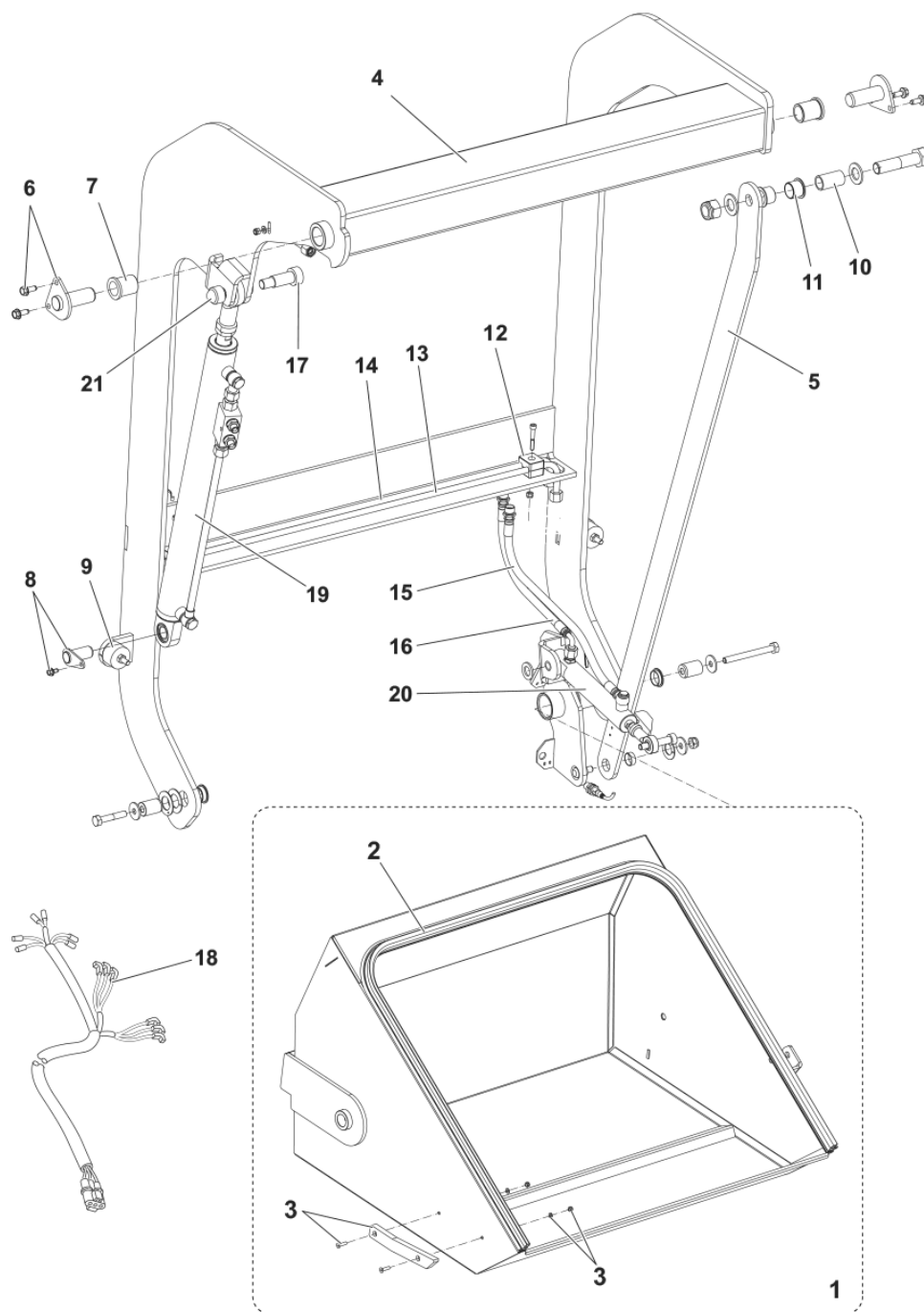
- [1] - Until S/N 3810172000033  
[2] - Starting from S/N 3810172000034



Pos.	Artikel-Nr.	Menge	Variante	Notes
1	1466605000	1	WALL MOBILE LOWER BLACK RUBBER SIP	
2	1466609000	1	SUPPORT PRIMARY GALV. F FRONT SKIRT SIP	
3	1466606000	1	SKIRT FRONT OVERMOLDED BLACK RUBBER SIP	
4	1466603000	1	SUPPORT GALV. F FRONT SKIRT SIP	[1]
4	1467576000	1	SUPPORT GALV. F FRONT SKIRT SIP	[2]
5	1466604000	2	PLATE SECONDARY GALV. F FRONT SKIRT KIT	
6	1466607000	1	PINS D10 FRONT SKIRT SUPPORT FIXING KIT	
7	1466608000	1	SEEGER RING D.7 DIN6799 10 PCS SET	
8	1466602000	1	PLATE GALV. F FRONT SKIRT KIT	
9	1467176000	1	STOP F FRONT SKIRT KIT	

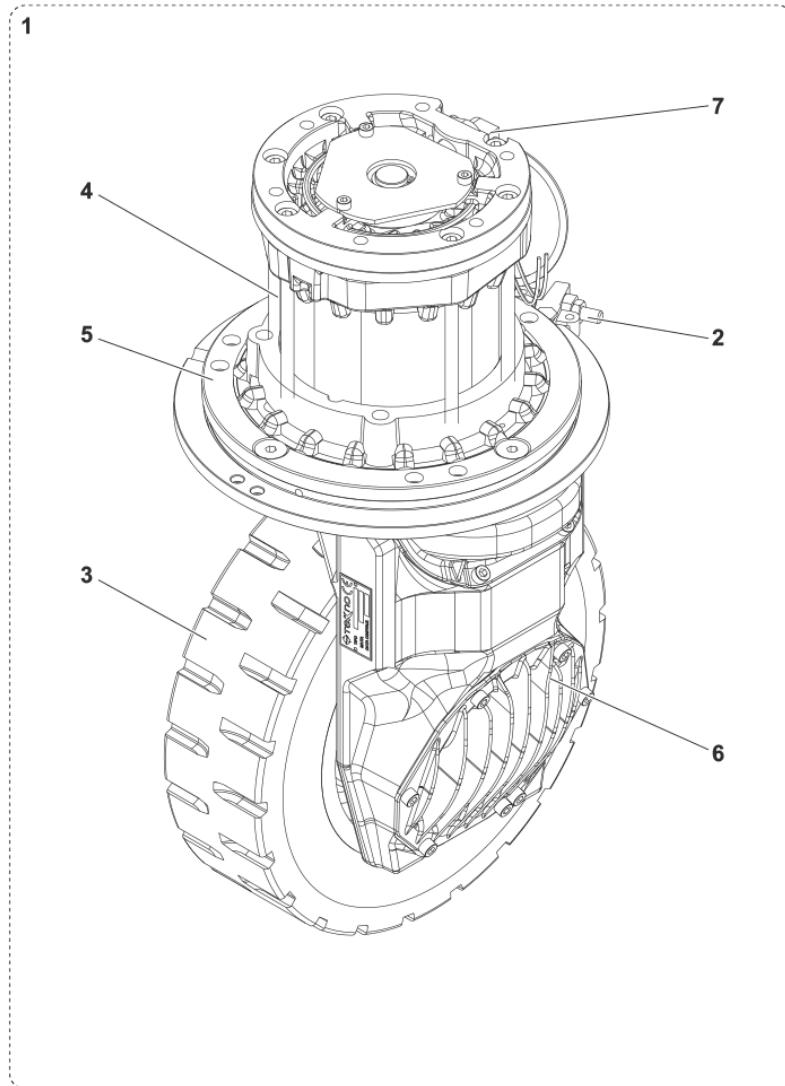
Part Notes:

- [1] - Until S/N 3810172000033
- [2] - Starting from S/N 3810172000034





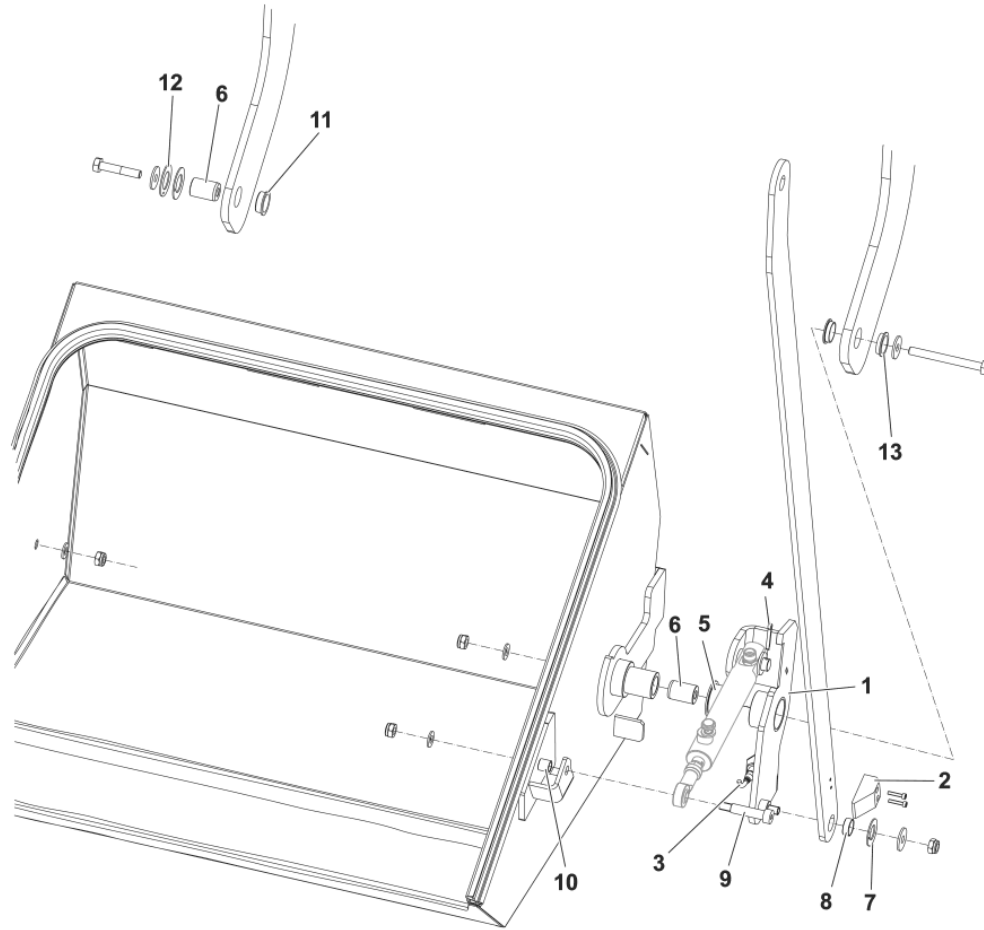
Pos.	Artikel-Nr.	Menge	Variante	Notes
1	1466718000	1	HOPPER WASTE CPL KIT	
2	1466862000	1	GASKET DOUBLE BULB RUBBER L.2020MM SIP	
3	1466861000	1	CAM PLASTIC F HOPPER POSITIONING KIT	
4	1466715000	1	ARM PRIMARY F HOPPER LIFTING BLACK SIP	
5	1466716000	1	ARM SECONDARY MET. F HOPPER LIFTING SIP	
6	1466713000	2	PIN PIVOTING F HOPPER ARM KIT	
7	1467045000	2	BEARING FLANGE MFM-2532-40 SIP	
8	1466714000	1	PIN F LIFTING CYLINDER KIT	
9	1467047000	2	BUMPER M8 D.40X25MM SIP	
10	1466719000	1	SPACER D.20X25 H.44.5 PHOS. SIP	
11	1466720000	1	BEARING FL.IGLIDUR GFM-2528-21 2 PCS SET	
12	1466717000	3	CLAMP TWIN D.10 PLASTIC BLUE 3 PCS SET	
13	1466728000	1	HOSE SEMI RIGID D.10 HOPPER DUMPING SIP	
14	1466729000	1	HOSE SEMI RIGID D.10 HOPPER RECALL SIP	
15	1466730000	1	HOSE HYDRAULIC 1/4 R1AT L.550MM SIP	
16	1466731000	1	HOSE HYDRAULIC 1/4 R1AT L.490MM SIP	
17	1467018000	1	SCREW SHOULDER 20X40 M16 2 PCS SET	
18	1467553000	1	HARNES HOPPER SIP	
19	1466790000	1	CYLINDER HYDRAULIC 40/25/470 CPL KIT	
20	1466723000	1	CYLINDER HYDRAULIC 25/16/120 CPL KIT	
21	1466732000	1	CAP PLASTIC BLACK F M16 NUT SIP	



---

Pos.	Artikel-Nr.	Menge	Variante	Notes
1	1467191000	1	MOTORWHEEL TV-130 24V AC 1.2KW KIT	
2	1465990000	1	STRETCHER F CHAIN	
3	1466255000	1	WHEEL NON MARKING D300X85	
4	1466461000	1	MOTOR AC 24V 1.2KW	
5	1466468000	1	PLATE STEERING F MOTORWHEEL TV-130MF	
6	1466474000	1	GEAR BOX F MOTORWHEEL TV-130 1/28.4	
7	1467192000	1	SENSOR SPEED KIT	

---



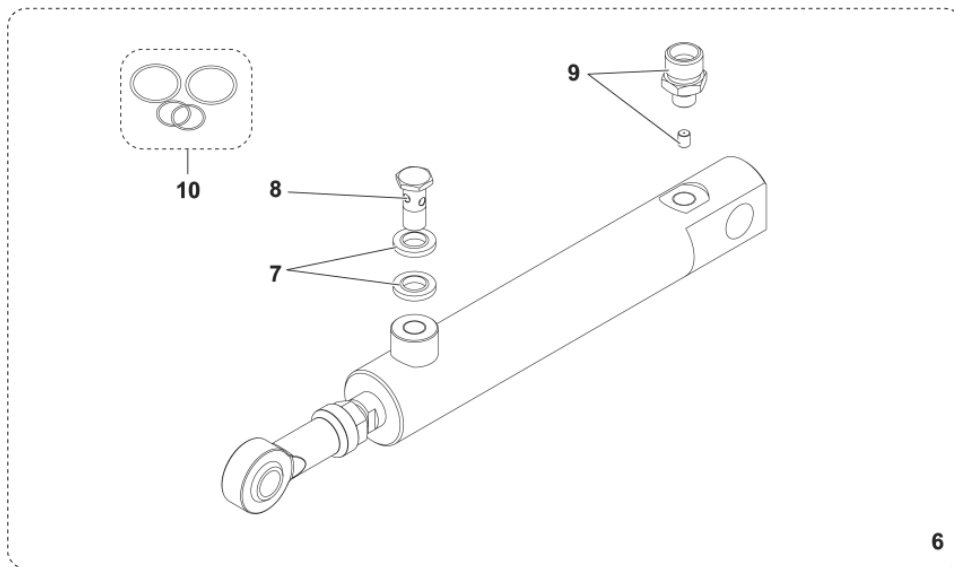
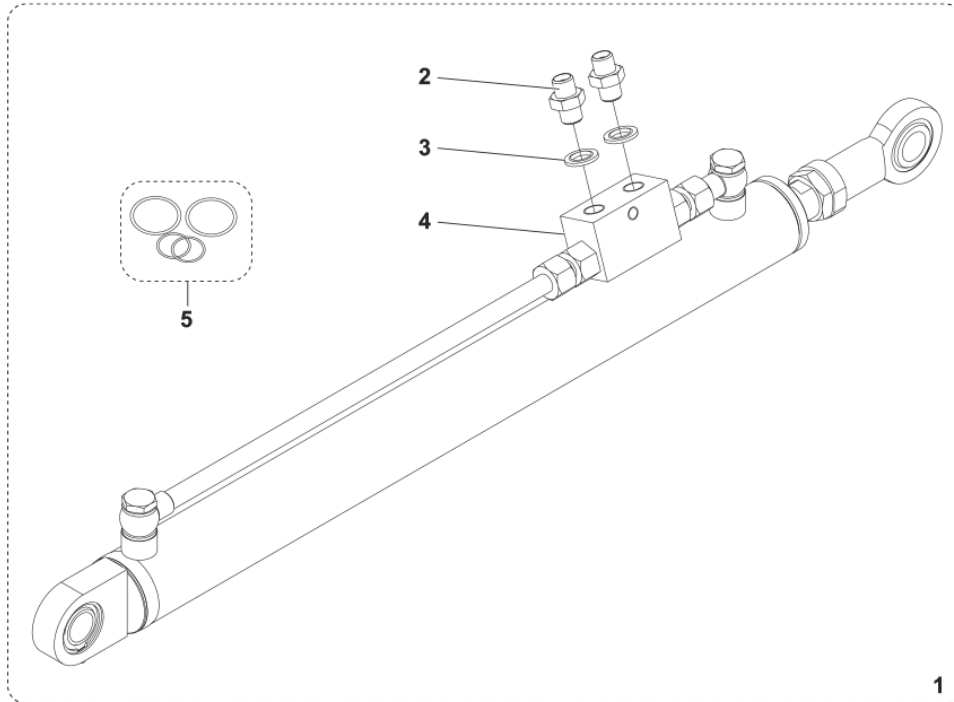
# PL LIFTING HOPPER ASSY 2

SW5500 D NIL

2016.03.01

2016.03.02

Pos.	Artikel-Nr.	Menge	Variante	Notes
1	1466722000	1	BRACKET MET. F LIFTING ARMS JOINT SIP	
2	1466724000	1	BLOCK PLASTIC F LIFTING ARM GUIDE SIP	
3	1467062000	1	SWITCH BACK UP PROXIMITY PKD	
4	1467005000	1	PIN SPLIT 4X25 UNI1336 10 PCS SET	
5	1466721000	1	BEARING FLANGE IGLIDUR GFM-3539-36 SIP	
6	1467043000	1	PIN HOPPER SIP	
7	1467017000	1	WASHER THRUST GTM 2036-015 2 PCS SET	
8	1466726000	1	BEARING FLANGE IGLIDUR GSM-2022-08 SIP	
9	1467019000	1	SCREW SHOULDER 12X45 M10 2 PCS SET	
10	1466725000	1	SPACER D.12.5X15 H.14 BLACK PLAST. SIP	
11	1467044000	3	BEARING FLANGE GFM-2427-10 PKD	
12	1467016000	1	WASHER THRUST GTM 2442-015 2 PCS SET	
13	1466727000	1	BEARING FL.IGLIDUR GFM-2427-07 2 PCS SET	



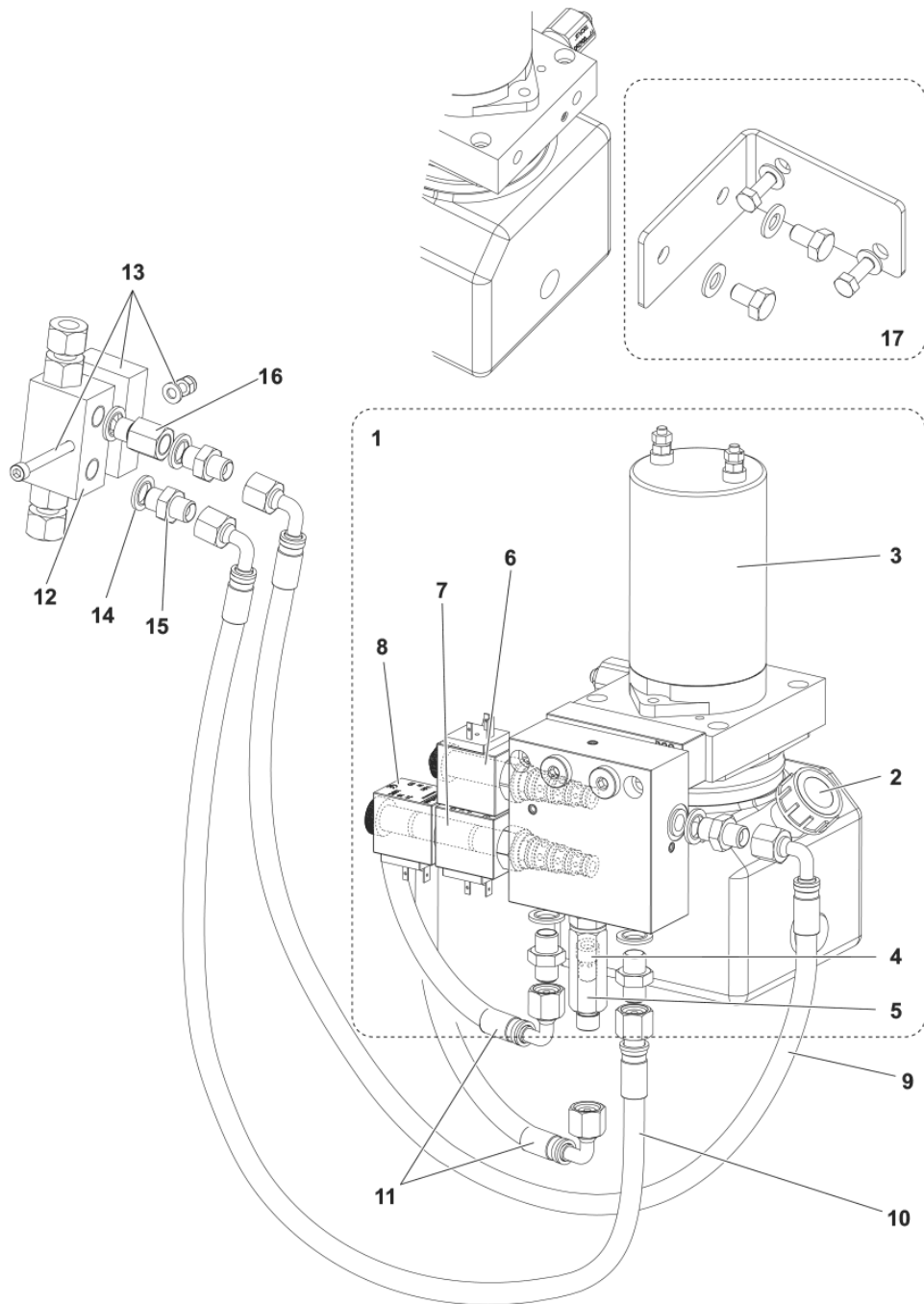
# PL CYLINDERS ASSY

SW5500 D NIL

2016.03.01

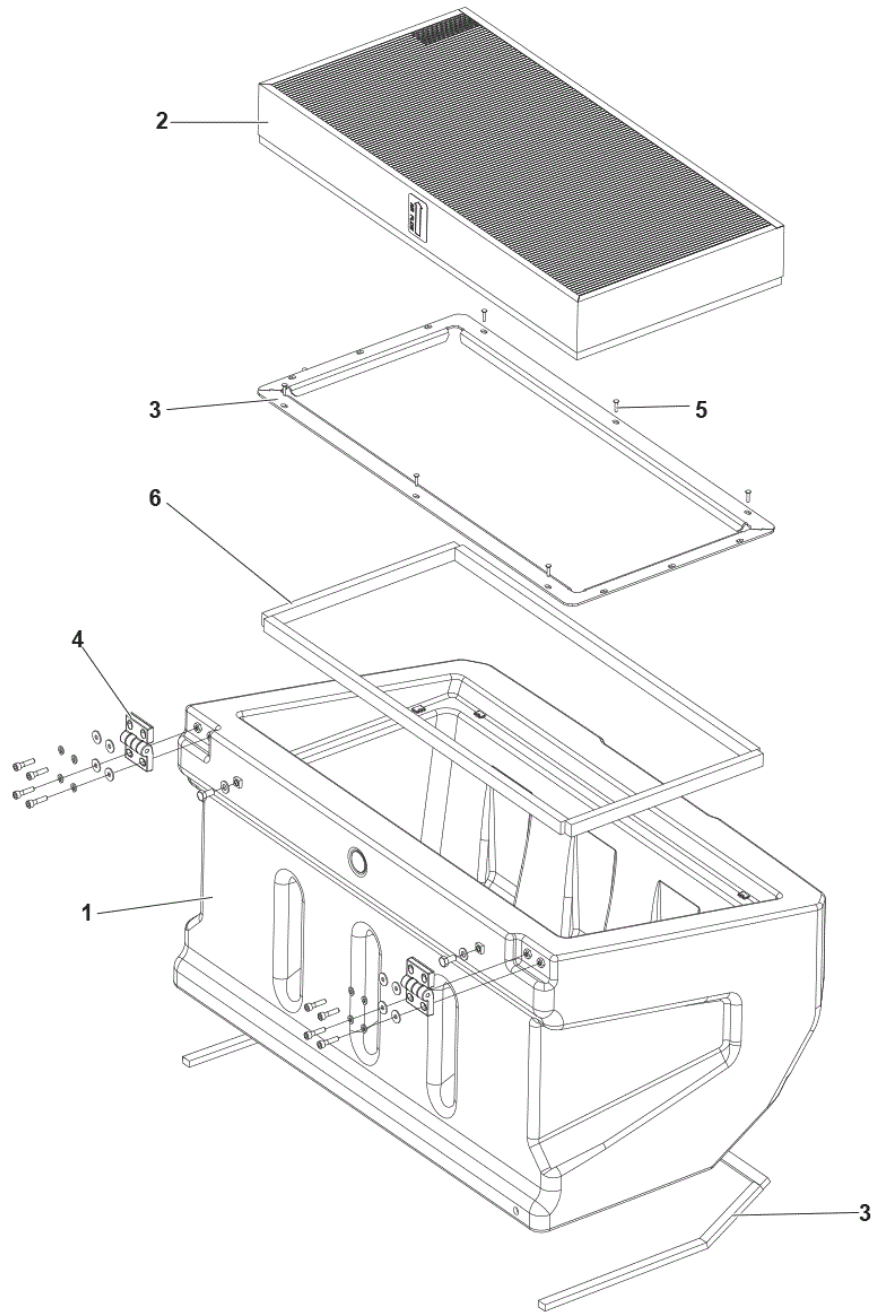
2016.03.02

Pos.	Artikel-Nr.	Menge	Variante	Notes
1	1466790000	1	CYLINDER HYDRAULIC 40/25/470 CPL KIT	
2	1467011000	1	NIPPLE 1/4 4 PCS SET	
3	1467007000	1	SEAL BONDED 1/4 10 PCS SET	
4	1467054000	1	VALVE BLOCK SIP	
5	1466553000	1	SEAL HYDRAULIC CYLINDER 40/25/470 KIT	
6	1466723000	1	CYLINDER HYDRAULIC 25/16/120 CPL KIT	
7	1467004000	1	SEAL BONDED 1/8 10 PCS SET	
8	1467015000	1	BANJO BOLT 1/8 G 2 PCS SET	
9	1466791000	1	FITTING 1/8 GAS WITH CAIBRATED DOWEL KIT	
10	1466552000	1	SEAL HYDRAULIC CYLINDER 25/16/120 KIT	





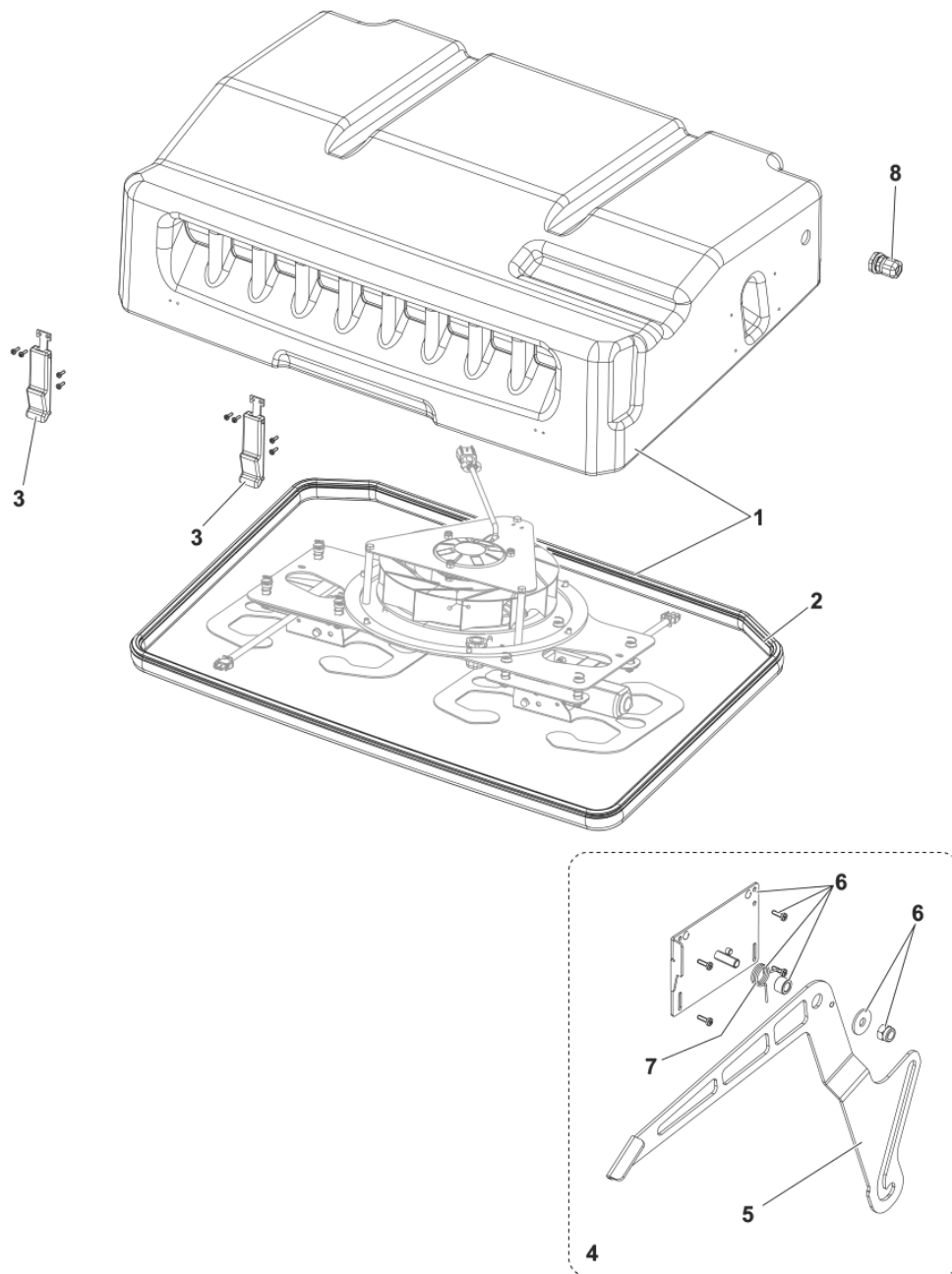
Pos.	Artikel-Nr.	Menge	Variante	Notes
1	1466712000	1	GEARCASE HYDRAULIC 24V 800W 1CC SIP	
2	1467213000	1	CAP PRESSURE D19 SIP	
3	1467242000	1	MOTOR ELECTRIC 24V 800W SIP	
4	1467209000	1	VALVE FLOW CONTROL 5L/MIN 1/4 GAS SIP	
5	1467243000	1	STUD BOLT M/F 1/4 BSP ES. 19 SIP	
6	1467211000	1	CARTRIDGE SOLENOID VALVE 4/2 SIP	
7	1467212000	1	CARTRIDGE SOLENOID VALVE 4/3 SIP	
8	1467210000	3	SOLENOID 24V 18W N-H13 SIP	
9	1466709000	1	HOSE HYDRAULIC 1/4 R1AT L.780MM SIP	
10	1466710000	1	HOSE HYDRAULIC 1/4 R1AT L.680MM SIP	
11	1466711000	2	HOSE HYDRAULIC 1/4 R1AT L.600MM SIP	
12	1467054000	1	VALVE BLOCK SIP	
13	1466707000	1	SPACER F VALVE PLASTIC BLACK KIT	
14	1467007000	1	SEAL BONDED 1/4 10 PCS SET	
15	1467011000	1	NIPPLE 1/4 4 PCS SET	
16	1467679000	1	ADAPTER M/F STRAIGHT 1/4 L.21MM HX19 SIP	
17	1466708000	1	BRACKET MET. F HYDRAULIC GEARCASE KIT	



Pos.	Artikel-Nr.	Menge	Variante	Notes
1	1466835000	1	SUPPORT PLASTIC BLACK F VAC FILTER KIT	
1	1466834000	1	TANK SUPPORT PLASTIC F VAC FILTER KIT	[1]
2	1467174000	1	FILTER PANEL PAPER ULTRA WEB	
2	1467173000	1	FILTER PANEL POLYESTER ULTRA WEB	[2]
3	1466836000	1	SUPPORT PLAIN GALV. F FILTER KIT	
4	9098329000	1	Schanier Kit	
5	1466908000	1	SCREW 3.5X16 C/SUNK PHIL F PC 10 PCS SET	
6	1467077000	1	GASKETS ADHESIVE 22X20 KIT	

Part Notes:

- [1] - ONLY FOR MODELS WITH THE DUSTGUARD KIT
- [2] - OPTIONAL



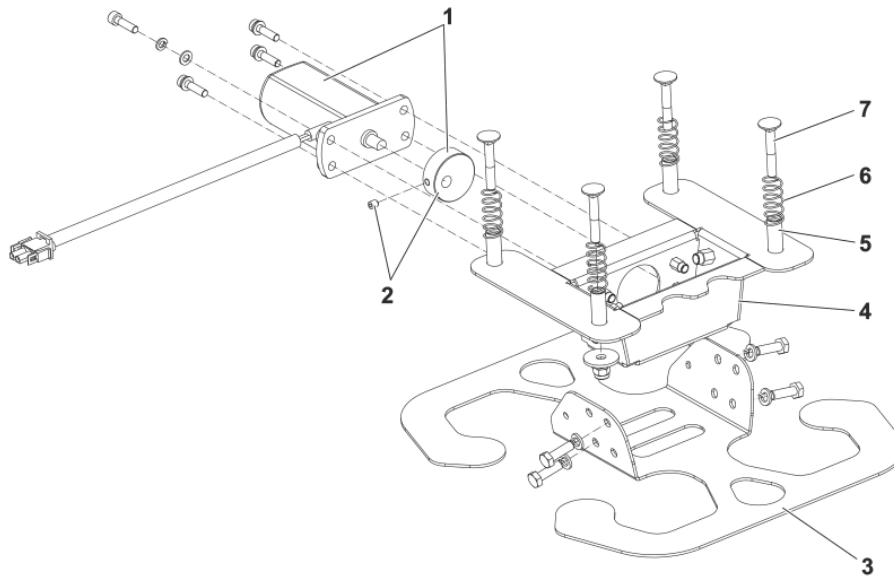
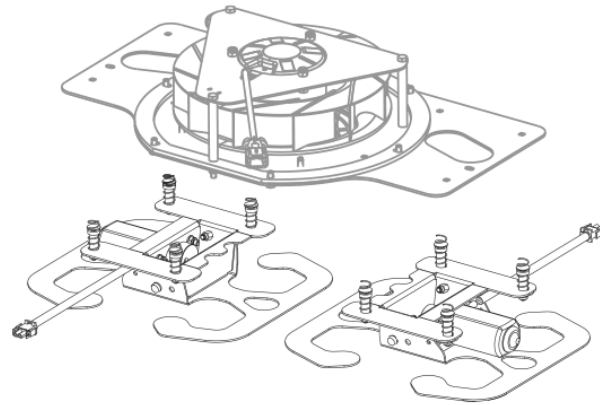
# PL FAN SUPPORT ASSY

SW5500 D NIL

2016.03.01

2016.03.03

<b>Pos.</b>	<b>Artikel-Nr.</b>	<b>Menge</b>	<b>Variante</b>	<b>Notes</b>
1	1466853000	1	SUPPORT PLASTIC GREY F FAN KIT	
2	1466855000	1	GASKET BULB RUBBER L.2390MM SIP	
3	1467042000	2	LATCH RUBBER PKD	
4	1466856000	1	LEVER F FAN HOLDER BLOCK KIT	
5	1466869000	1	LEVER GALV. F FAN HOLDER RETAINER SIP	
6	1466870000	1	PLATE GALV. F FAN HOLDER RETAINER KIT	
7	1467038000	1	PEDAL SPRING PKD	
8	9100001779	1	GLAND CABLE PLASTIC W/NUT PG13.5 SIP	



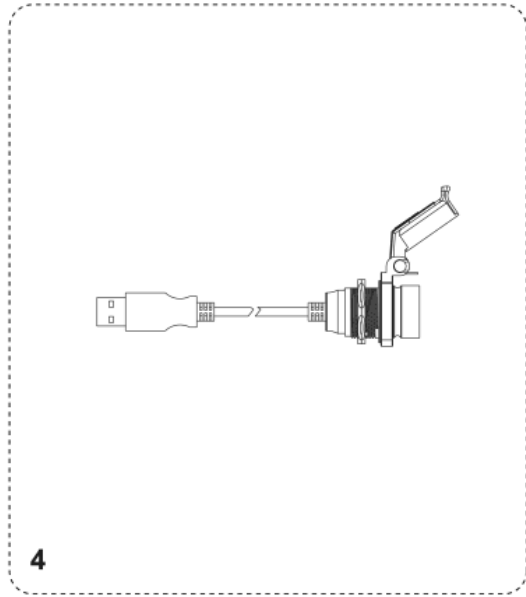
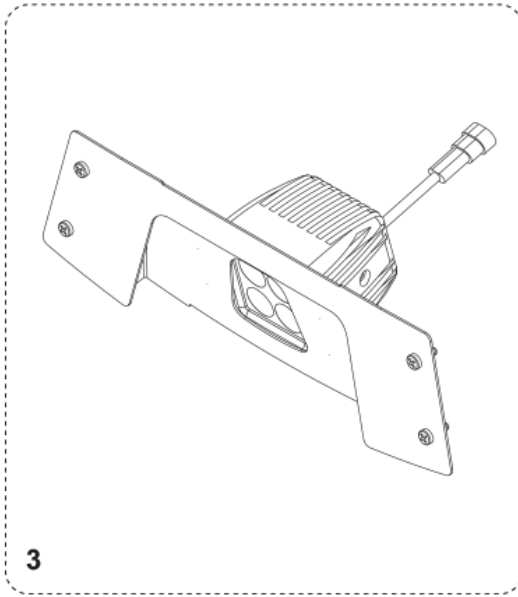
# PL SHAKER FILTER ASSY

SW5500 D NIL

2016.03.01

2016.03.02

<b>Pos.</b>	<b>Artikel-Nr.</b>	<b>Menge</b>	<b>Variante</b>	<b>Notes</b>
1	1466314000	2	MOTOR FILTER SHAKER 12W 24V KIT	
2	1466857000	2	CAM F FILTER SHAKER KIT	
3	1466879000	2	BRACKET GALV. F FILTER SHAKER SIP	
4	1466878000	2	SUPPORT GALV. F FILTER SHAKER MOTOR SIP	
5	1467010000	2	SPACER 6.5X10X26 GALV. 4 PCS SET	
6	1467009000	2	SPRING COMPRESS. D.E.13.5 4 PCS SET	
7	1467003000	1	SCREW M6X40 CARR. ISO8677 10 PCS SET	



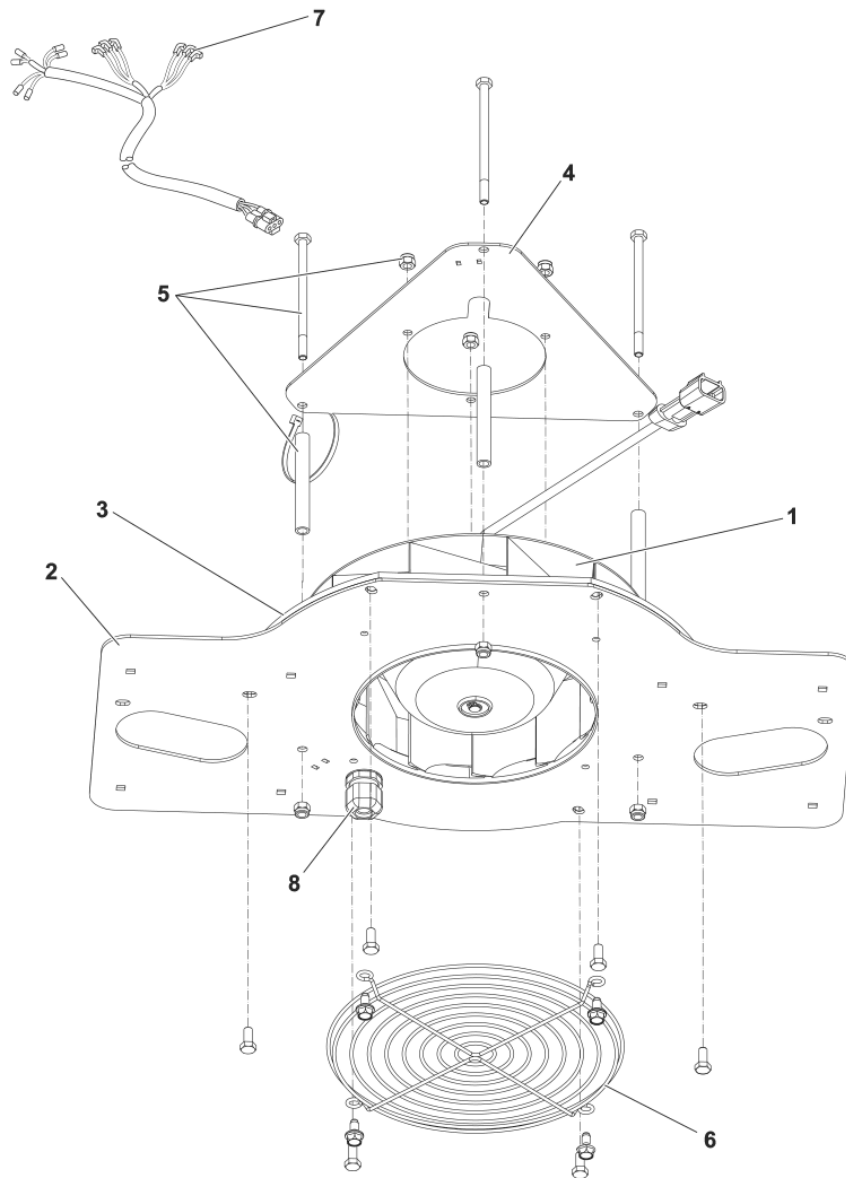


---

Pos.	Artikel-Nr.	Menge	Variante	Notes
3	1466889000	1	LIGHT FRONT KIT	[1]
4	1466247000	1	USB PORT KIT	[2]

## Part Notes:

- [1] - OPTIONAL - INST. INTR. 1466899000
- [2] - OPTIONAL - INST. INTR. 1466896000



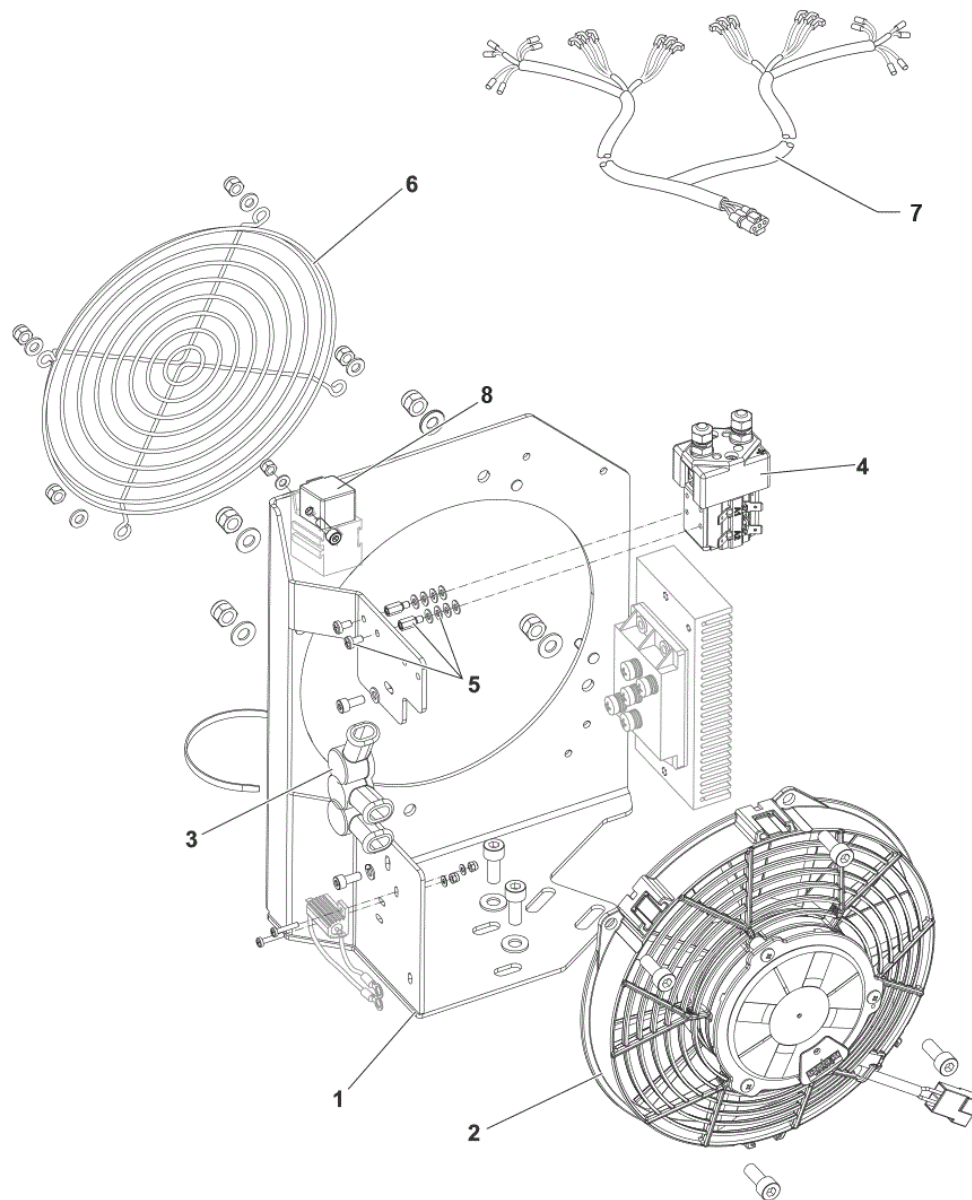
# PL VACUUM FAN ASSY

SW5500 D NIL

2016.03.01

2016.10.13

Pos.	Artikel-Nr.	Menge	Variante	Notes
1	1467040000	1	FAN RADIAL 24V SIP	
2	1466866000	1	PLATE GALV. F FAN AND FILTER SHAKER SIP	
3	33023192	1	GASKET MOTOR VACUUM SIP	
4	1467061000	1	SUPPORT MOTOR VACUUM SIP	
5	1466868000	1	SPACERS CPL F VAC FAN KIT	
6	33018805	1	GRILL ELECTROFAN KIT	
7	1467552000	1	HARNESS F FILTER SHAKER AND FAN SIP	
8	9100001779	1	GLAND CABLE PLASTIC W/NUT PG13.5 SIP	



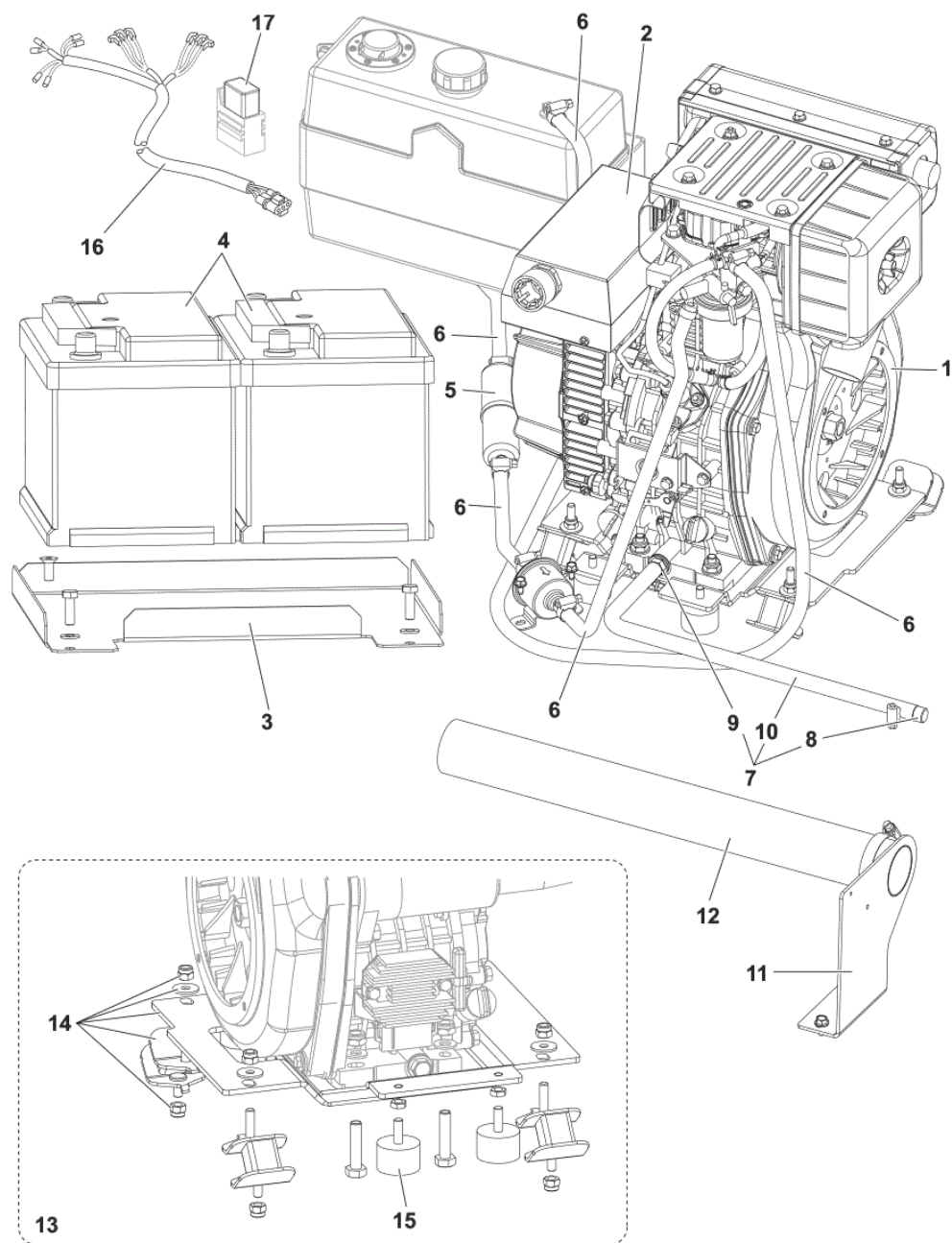
# PL ENGINE FAN ASSY

SW5500 D NIL

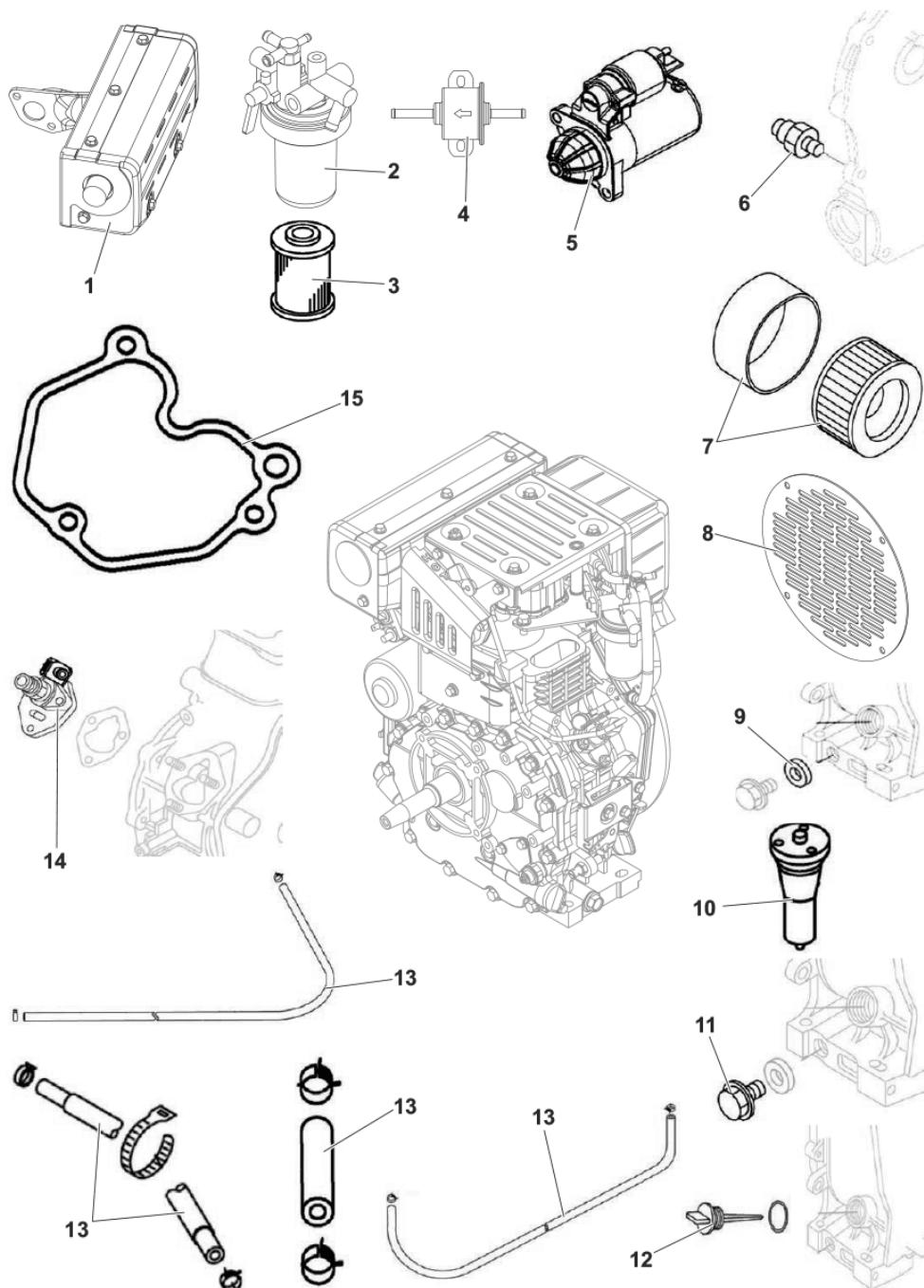
2017.06.01

2017.06.01

<b>Pos.</b>	<b>Artikel-Nr.</b>	<b>Menge</b>	<b>Variante</b>	<b>Notes</b>
1	1466792000	1	SUPPORT F COOLING FAN MET. BLACK SIP	
2	1466793000	1	FAN AXIAL 24VDC 170W D.225 SIP	
3	1467012000	1	BOOT BATTERY NEGATIVE POLE BL 3 PCS SET	
4	1466644000	1	CONTACTOR 24V 200A SIP	
5	1466643000	1	HARDWARE F HIGH CONTACTOR FIXING KIT	
6	33018805	1	GRILL ELECTROFAN KIT	
7	1466800000	1	HARNES MACHINE ENGINE VERSION EU SIP	
8	145 3712 000	1	Relaise 24 V	

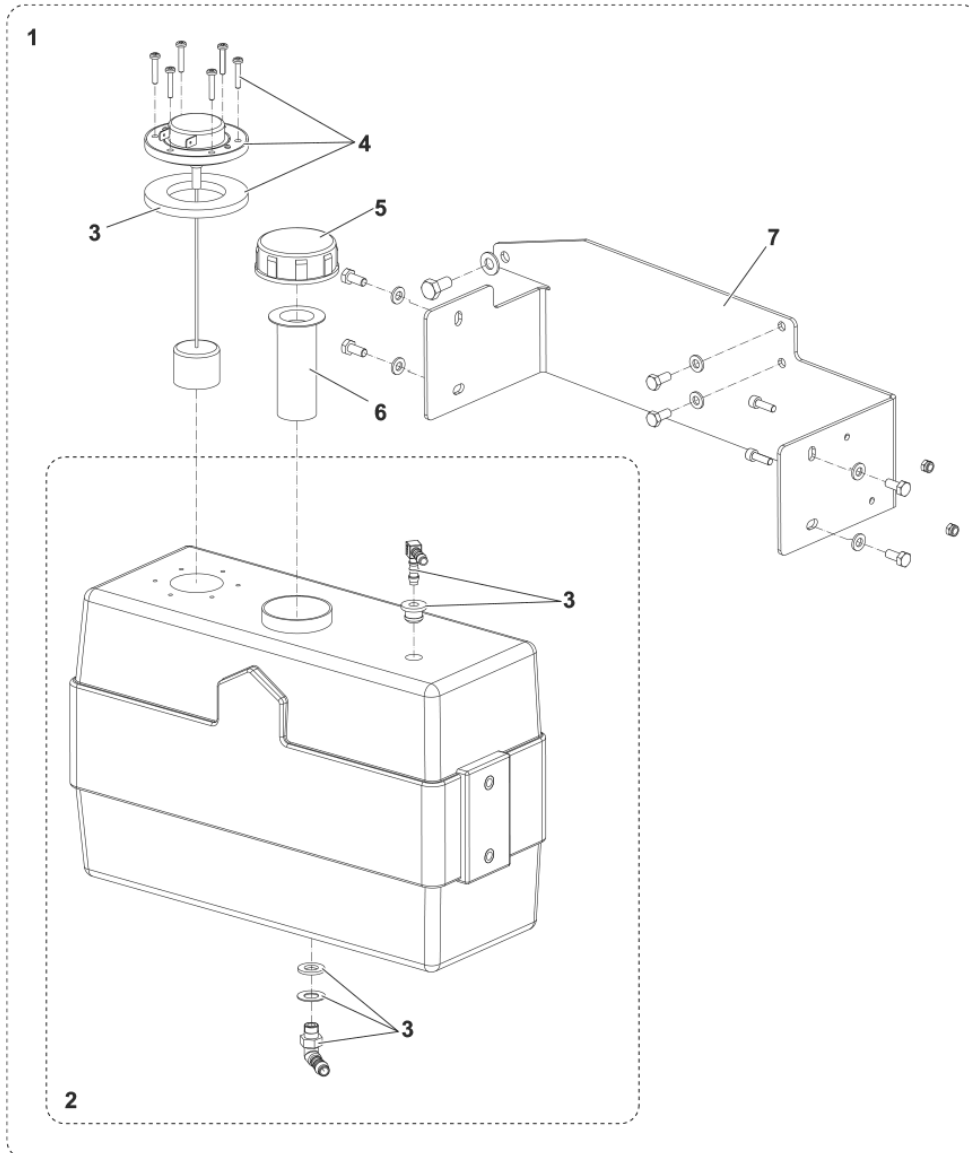


Pos.	Artikel-Nr.	Menge	Variante	Notes
1	1466803000	1	ENGINE DIESEL YANMAR 4.1KW 13NM KIT	
2	1466804000	1	ALTERNATOR PMG 24V 3.8KW SIP	
3	1466806000	1	STOPPER MET. F BATTERIES D VERSION KIT	
4	1467085000	2	BATTERY START 12V 77 AH PKD	
5	1467065000	1	PRE-FILTER DIESEL SIP	
6	1467459000	1	HOSES FUEL F DIESEL ENGINE KIT	
7	1466805000	1	HOSE DIESEL ENGINE OIL DRAIN KIT	
8	1467033000	1	CAP D.10-17 SIP	
9	1466880000	1	BARB HOSE M16X1.5 BRASS SIP	
10	145 5037 000	1	HOSE OIL	
11	1466875000	1	SUPPORT MET. BLACK F AIR INTAKE HOSE SIP	
12	1466876000	1	HOSE AIR INTAKE SIP	
13	1466808000	1	SUPPORT GALV. F DIESEL ENGINE CPL KIT	
14	1466807000	1	VIBRATION DAMPERS 45 DEG M8 60 SHA KIT	
15	1467047000	4	BUMPER M8 D.40X25MM SIP	
16	1466801000	1	HARNESS F DIESEL VERSION SIP	
17	146 1646 000	1	RELAY 24V	





Pos.	Artikel-Nr.	Menge	Variante	Notes
1	1467240000	1	MUFFLER SIDE EXHAUST - L.70MM SIP	
2	1467226000	1	FILTER F DIESEL OIL SIP	
3	1466431000	1	CARTRIDGE FILTER DIESEL ENGINE	
4	1467227000	1	PUMP F DIESEL OIL 12V 24.8W SIP	
5	1467228000	1	MOTOR STARTER 24V 1.6KW SIP	
6	1467229000	1	SWITCH OIL PRESSURE 0.1MPA SIP	
7	1467230000	1	FILTER AIR DIESEL ENGINE SIP	
8	1467231000	1	GRID AIR INLET DIESEL ENGINE SIP	
9	1467232000	2	SEAL WASHER OIL DRAIN DIESEL ENGINE SIP	
10	1467233000	1	NOZZLE FUEL INJECT DIESEL ENGINE SIP	
11	1467234000	2	PLUG OIL DRAIN DIESEL ENGINE M16 SIP	
12	1467235000	2	CAP W/LUB.OIL GAUGE DIESEL ENGINE SIP	
13	1467236000	1	HOSES F DIESEL OIL ENGINE KIT	
14	1467237000	1	PUMP F INJECTOR DIESEL ENGINE SIP	
15	1467238000	1	GASKET VALVES COVER DIESEL ENGINE SIP	



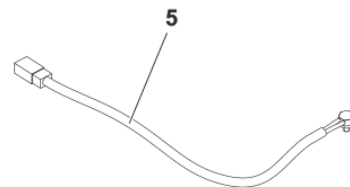
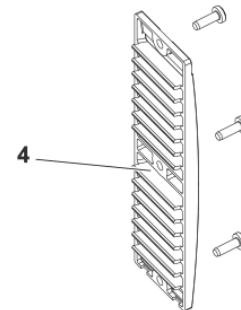
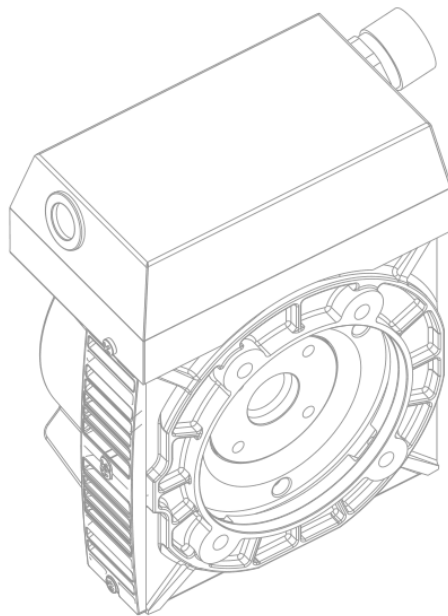
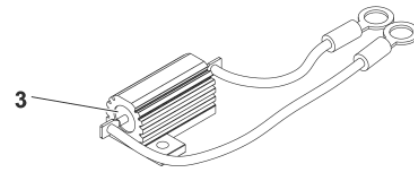
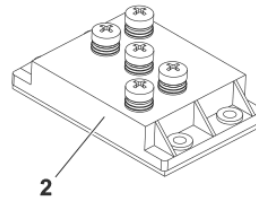
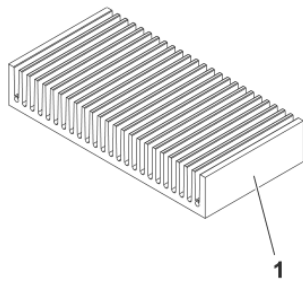
# PL FUEL TANK ASSY

SW5500 D NIL

2016.03.01

2016.03.02

<b>Pos.</b>	<b>Artikel-Nr.</b>	<b>Menge</b>	<b>Variante</b>	<b>Notes</b>
1	1466802000	1	TANK FUEL 7L CPL WHITE KIT	
2	1466812000	1	FUEL TANK 7L WHITE KIT	
3	1466811000	1	SEALS AND FITTINGS F FUEL TANK KIT	
4	1466810000	1	FLOAT DIESEL LEVEL L.212MM KIT	
5	1466562000	1	CAP FUEL TANK	
6	1466563000	1	FILTER FUEL TANK	
7	1466813000	1	BRACKET F FUEL TANK MET. BLACK KIT	



# PL ALTERNATOR SPARES

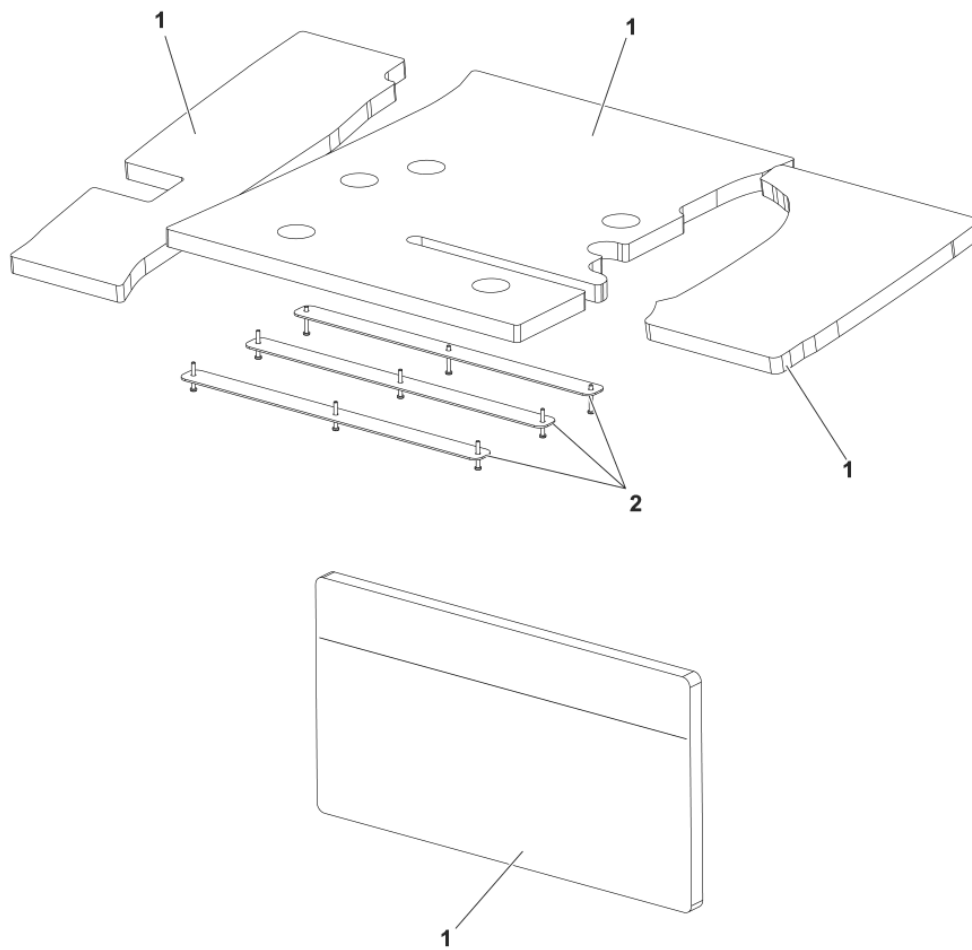
SW5500 D NIL

2016.03.01

2016.03.02

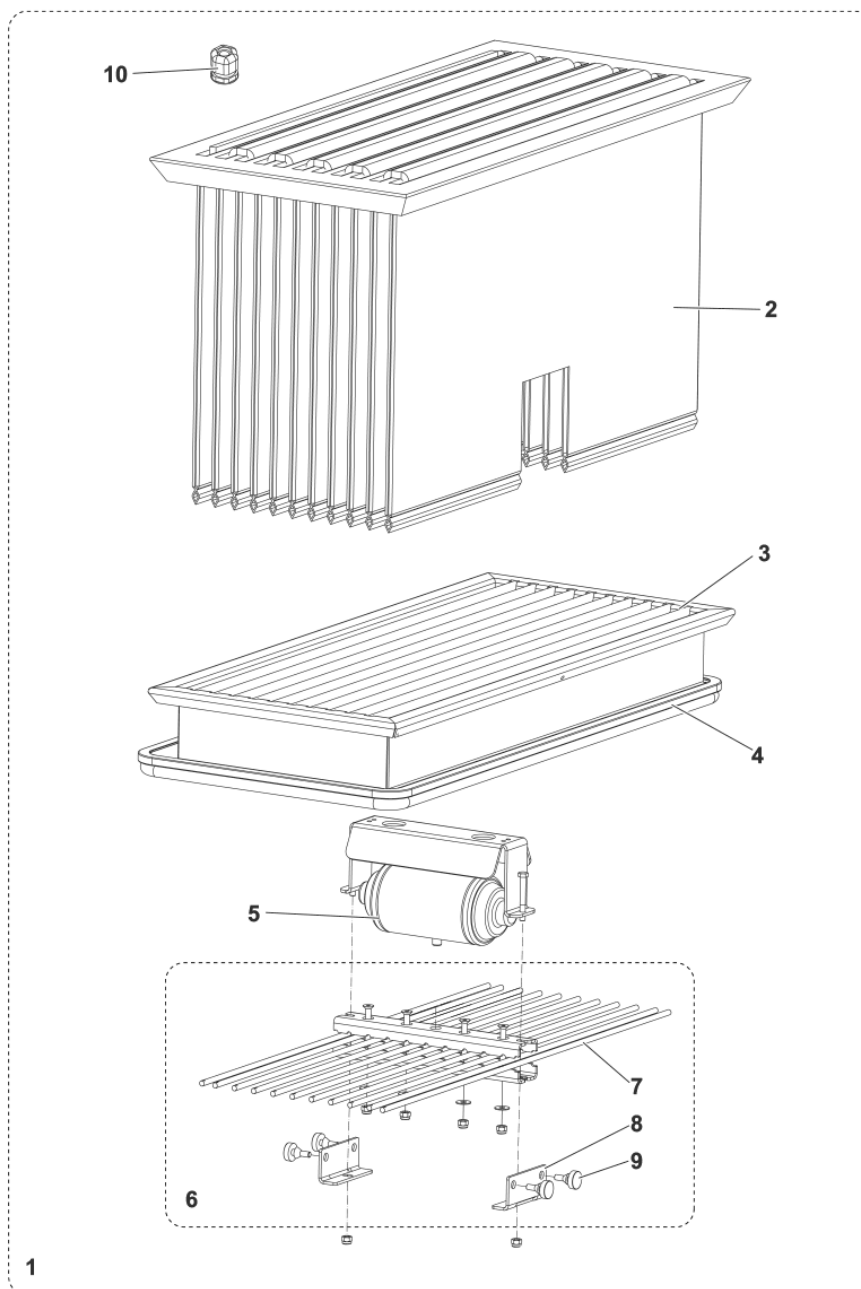
---

<b>Pos.</b>	<b>Artikel-Nr.</b>	<b>Menge</b>	<b>Variante</b>	<b>Notes</b>
1	1466233000	1	HEAT SINK ALLUMINIUM	
2	1466297000	1	RECTIFIER BRIDGE 180A	
3	1466426000	1	RESISTOR 100 OHM 25W	
4	1466480000	1	GRID SIDE F ALTERNATOR PLASTIC BLACK	
5	1466578000	1	SENSOR TEMPERATURE 90C N/C	



---

Pos.	Artikel-Nr.	Menge	Variante	Notes
1	1466873000	1	PANELS SOUNDPROOFING KIT	
2	1466874000	1	PLATE F SOUND PROOFING PANEL 3 PCS SET	





# PL ACCESSORIES - FILTER POCKET

SW5500 D NIL

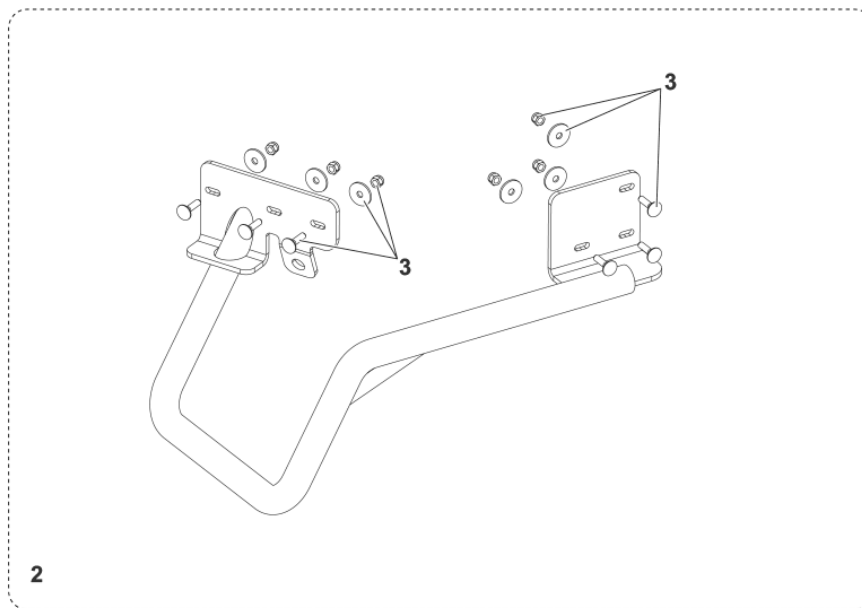
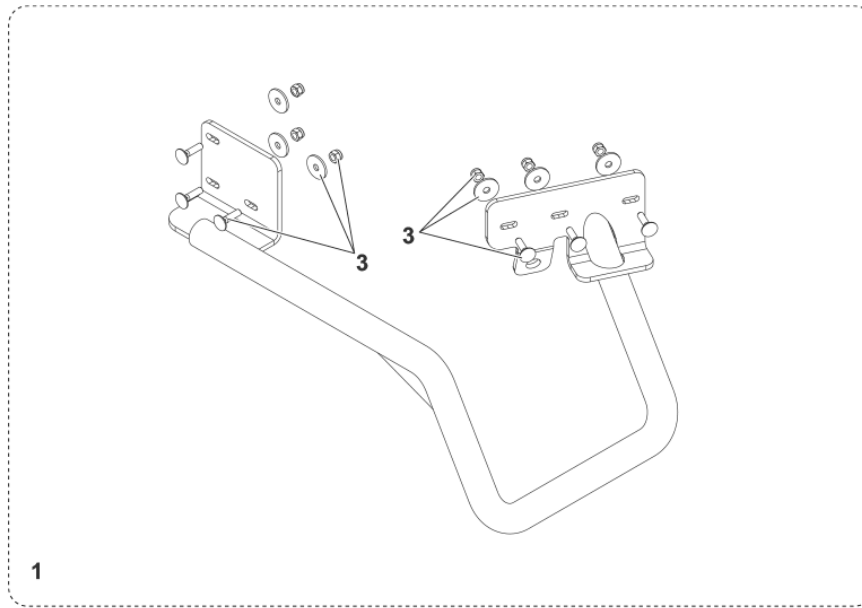
2016.03.01

2016.03.02

Pos.	Artikel-Nr.	Menge	Variante	Notes
1	1466885000	1	FILTER POCKET KIT	[1]
2	1466917000	1	FILTER POCKET SIP	
3	1466918000	1	FRAME MET. BLACK F POCKET FILTER SIP	
4	1466919000	1	GASKET BULB REINFORCED L.2090MM SIP	
5	146 2795 000	1	Rüttelmotor f. SR 1100 S	
6	1466922000	1	HARDWARE POCKET FILTER RODS FIXING KIT	
7	1466920000	1	ROD MET. BLACK F POCKET FILTER KIT	
8	1466921000	1	HOLDER MET. F POCKET FILTER DAMPER KIT	
9	1467006000	1	PLUG ANTI VIBRATION D.8-D.20 10 PCS SET	
10	9100001779	1	GLAND CABLE PLASTIC W/NUT PG13.5 SIP	

**Part Notes:**

[1] - OPTIONAL



# PL ACCESSORIES - GUARD SIDE BROOM

SW5500 D NIL

2016.03.01

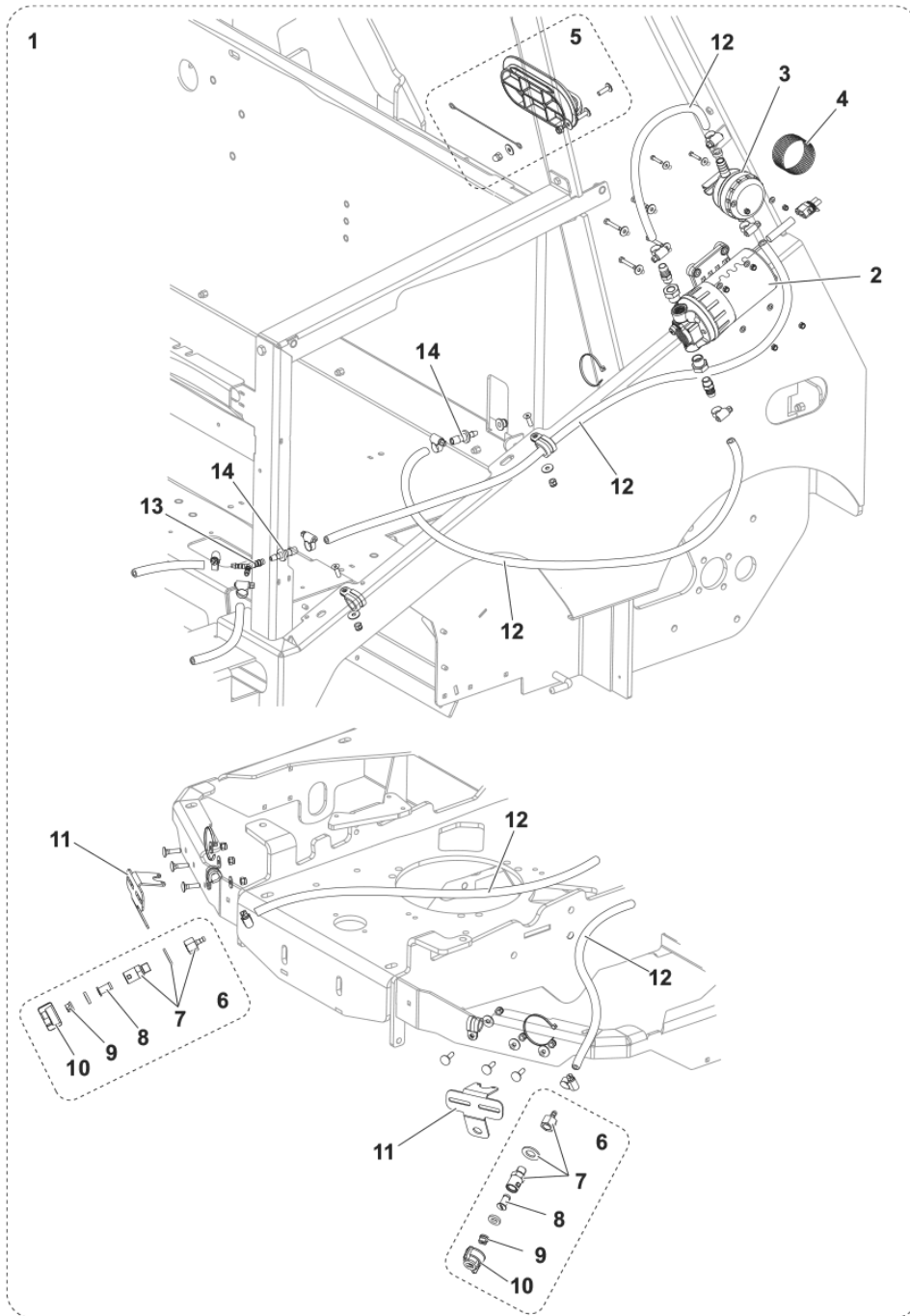
2016.03.21

---

Pos.	Artikel-Nr.	Menge	Variante	Notes
1	1466891000	1	GUARD RIGHT SIDE BROOM KIT	[1]
2	1466892000	1	GUARD LEFT SIDE BROOM KIT	[1]
3	1466927000	2	HARDWARE F SIDE BROOM GUARD KIT	

Part Notes:

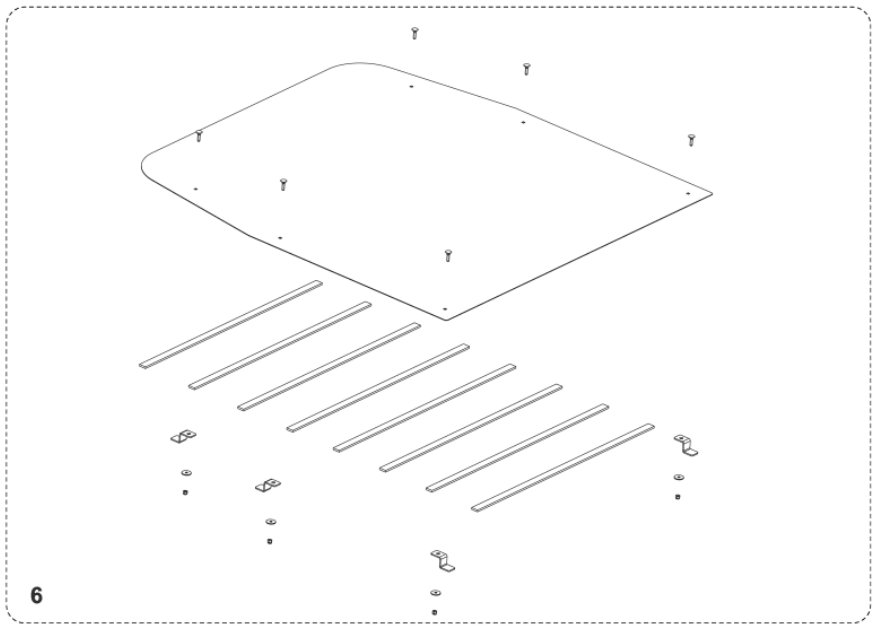
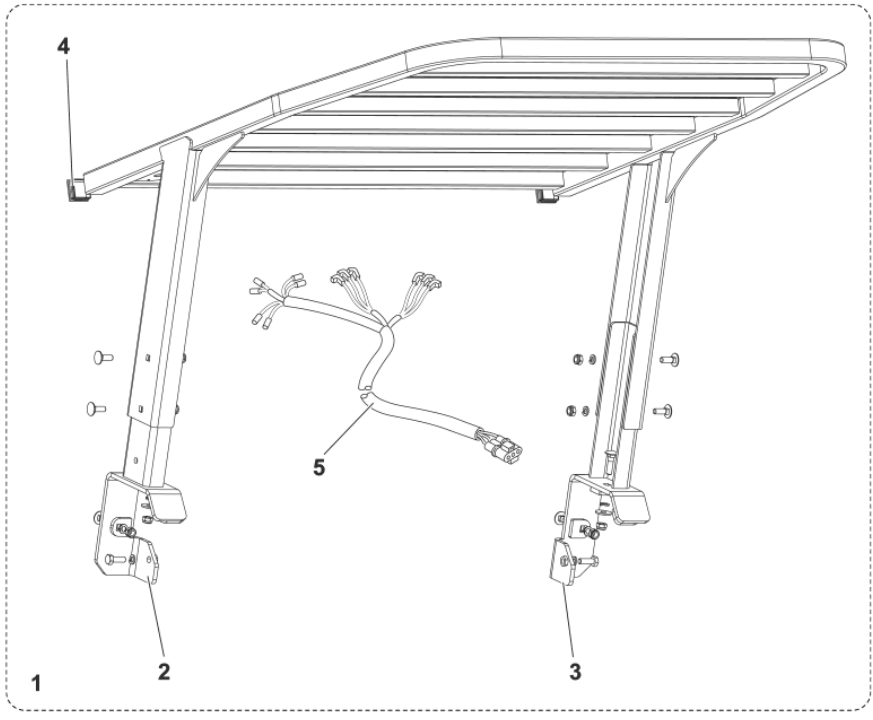
[1] - OPTIONAL - INST. INSTR. 1466901000



Pos.	Artikel-Nr.	Menge	Variante	Notes
1	1466890000	1	DUSTGUARD KIT	[1]
2	1465647000	1	PUMP WATER KIT	
3	9100000860	1	FILTER WATER PKD	
4	9100000861	1	NET WATER FILTER REINFORCED PKD	
5	1465355000	1	CAP SOLUTION TANK KIT	
6	33019324	2	Düsen Spray Kit	
7	33020865	2	ADAPTER SPRAY KIT	
8	1467245000	2	Rueckschlagventil Filter	
9	1467246000	2	NOZZLE SPRAY D. 0.33 S.S. PKD	
9	1467247000	2	NOZZLE SPRAY D. 0.53 BRASS PKD	
10	1467248000	2	RING NUT QUICK COUPLING PKD	
11	1467177000	2	SUPPORT GALV. F NOZZLE SIP	
12	1467178000	1	HOSES F DUSTGUARD KIT	
13	1467179000	1	ELBOW Y D.6-8-6 2 PCS SET	
14	1467180000	2	FITTING STRAIGHT REDUCER 4 PCS SET	

## Part Notes:

[1] - OPTIONAL - INST. INSTR. 1466900000



PL ACCESSORIES - GUARD OVERHEAD - CANOPY FOR OHG 01.03.01

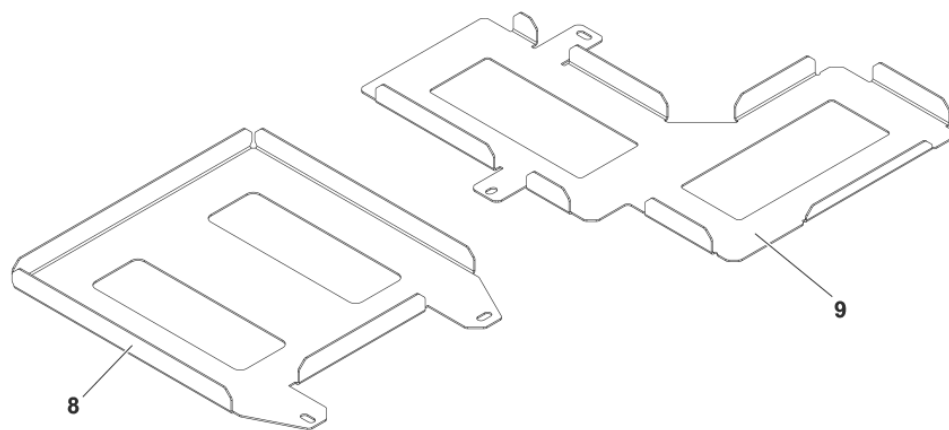
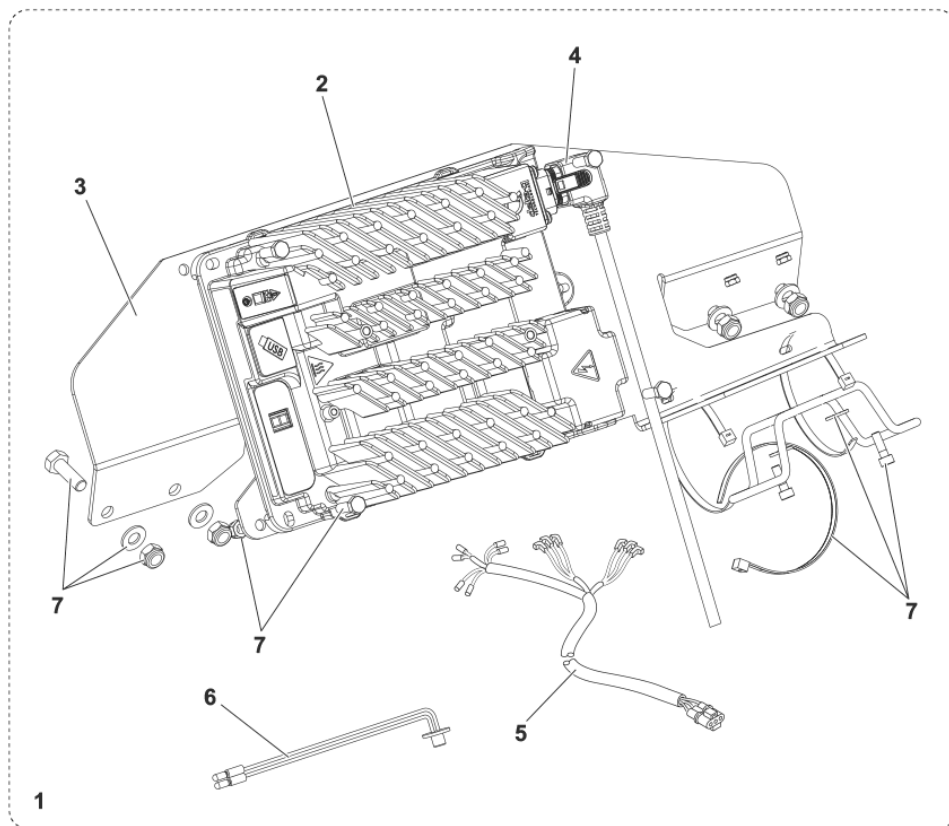
SW5500 D NIL

2016.10.13

Pos.	Artikel-Nr.	Menge	Variante	Notes
1	1466096000	1	GUARD OVERHEAD KIT	[1]
2	1466924000	1	SUPPORT RT F OHG MET. BLACK SIP	
3	1466926000	1	SUPPORT LT F OHG MET. BLACK SIP	
4	1467084000	1	CAP SQUARE 40X40 2 PCS SET	
5	1467556000	1	HARNESS F OHG SIP	
6	1466886000	1	CANOPY FOR OHG KIT	[2]

Part Notes:

- [1] - OPTIONAL - INST. INSTR. 1466894000
- [2] - OPTIONAL - INST. INSTR. 1466895000

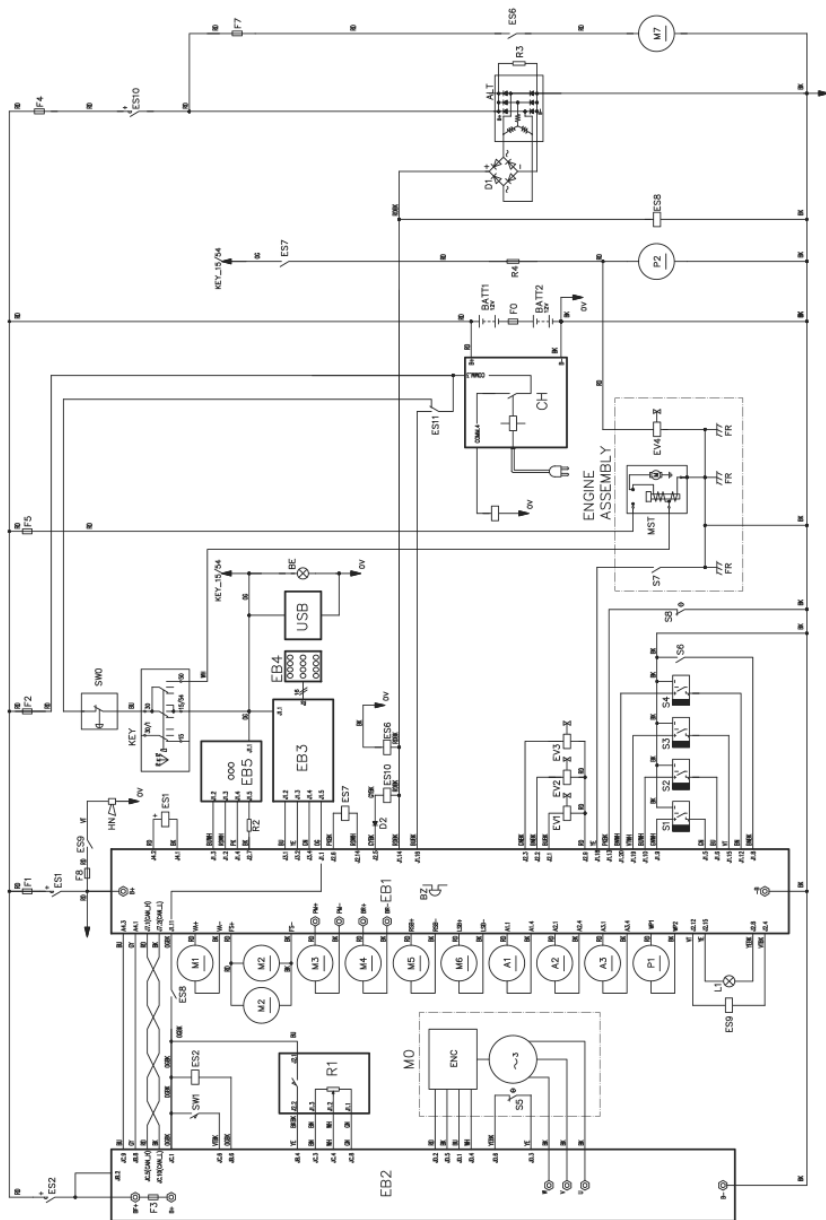




Pos.	Artikel-Nr.	Menge	Variante	Notes
1	1466249000	1	HYBRID KIT	[1]
2	56383856	1	CHARGER-ONBOARD 24V 650W	[2]
3	1467097000	1	SUPPORT BLACK OBC F HYBRID VERS. SIP	
4	1467096000	1	CABLE POWER SUPPLY EU L.3000MM OBC SIP	
5	1467651000	1	HARNESS F HYBRID VERSION SIP	
6	1466561000	1	SWITCH W/CONNECTOR KIT	
7	1467098000	1	HARDWARE F HYBRID KIT	
8	1467093000	1	STOPPER MET. F BATTERIES D HYB KIT	[3]
9	1467092000	1	STOPPER MET. F BATTERIES LPG HYB KIT	[3]

## Part Notes:

- [1] - OPTIONAL - INST. INSTR. 1466903000
- [2] - NOT FOR EU
- [3] - OPTIONAL



Pos.	Artikel-Nr.	Menge	Variante	Notes
A1	1466663000		ACTUATOR LINEAR 24V DC STRK 45MM SIP	
A2	1466663000		ACTUATOR LINEAR 24V DC STRK 45MM SIP	
A3	1466663000		ACTUATOR LINEAR 24V DC STRK 45MM SIP	
ALT	1466804000		ALTERNATOR PMG 24V 3.8KW SIP	
BE	1464948000		Warnleuchte	
CH	1466249000		HYBRID KIT	
EB1	9100001879		CONTROLLER MAIN MACHINE KIT	
EB2	1466649000		Fahrelektronik 24V 240A A.C. SIP	
EB3	1466681000		CONTROLLER DISPLAY SIP	
EB4	1466679000		DASHBOARD CONTROL PANEL BLUE SIP	
EB4	1466680000		DASHBOARD CONTROL PANEL BLACK SIP	
EB5	1466684000		DASHBOARD SIDE CONTROL PANEL PKD	
EB5	1466686000		DASHBOARD SIDE CONTROL PANEL BLACK SIP	
F1	1466652000		FUSE BOLT DOWN 150A SIP	
F2	1467034000		FUSE BLADE 10A PKD	
F3	1467241000		FUSE BOLT-DOWN 160A SIP	
F4	1466652000		FUSE BOLT DOWN 150A SIP	
HN	1467032000		HORN 24V SIP	
KEY	33020442		Schlüsselschalter	
L1	1466889000		LIGHT FRONT KIT	
M0	1466461000		MOTOR AC 24V 1.2KW	
M1	1467040000		FAN RADIAL 24V SIP	
M2	1466314000		MOTOR FILTER SHAKER 12W 24V KIT	
M3	1466712000		GEARCASE HYDRAULIC 24V 800W 1CC SIP	
M4	1466687000		MOTOR 24V 1000W 3800 RPM IP44 MP80L KIT	
M5	1466688000		MOTOR GEARBOX 24VDC 120W RT BROOM SIP	
M6	1466674000		MOTOR GEARBOX 24VDC 120W LT BROOM SIP	
R1	1466589000		PEDAL ELECTRONIC ACCELERATOR KIT	
S1	1467062000		SWITCH BACK UP PROXIMITY PKD	
S2	1467062000		SWITCH BACK UP PROXIMITY PKD	
S3	1467062000		SWITCH BACK UP PROXIMITY PKD	
S4	1467062000		SWITCH BACK UP PROXIMITY PKD	
S6	1466810000		FLOAT DIESEL LEVEL L.212MM KIT	
SW0	1466683000		Sicherheitsschalter	
SW1	1467028000		SEAT PKD	
SW2	1466561000		SWITCH W/CONNECTOR KIT	
USB	1466247000		USB PORT KIT	



Pos.	Artikel-Nr.	Menge	Variante	Notes
EOM	33020442	1	Schlüsselschalter	
EOM	33023192	1	GASKET MOTOR VACUUM SIP	
EOM	44905699	1	BEARING BALL 6001 2RS PKD	
WEAR	1466255000	1	WHEEL NON MARKING D300X85	
EOM	1466297000	1	RECTIFIER BRIDGE 180A	
EOM	1466314000	1	MOTOR FILTER SHAKER 12W 24V KIT	
EOM	1466426000	1	RESISTOR 100 OHM 25W	
WEAR	1466431000	1	CARTRIDGE FILTER DIESEL ENGINE	
EOM	1466461000	1	MOTOR AC 24V 1.2KW	
EOM	1466474000	1	GEAR BOX F MOTORWHEEL TV-130 1/28.4	
EOM	1467192000	1	SENSOR SPEED KIT	
EOM	1466552000	1	SEAL HYDRAULIC CYLINDER 25/16/120 KIT	
EOM	1466553000	1	SEAL HYDRAULIC CYLINDER 40/25/470 KIT	
EOM	1466562000	1	CAP FUEL TANK	
EOM	1466578000	1	SENSOR TEMPERATURE 90C N/C	
WEAR	1466587000	1	WHEELS FOAMED 4.00-8 CPL KIT	
WEAR	1466588000	1	WHEELS SOLID 4.00-8 NON MARKING CPL KIT	
EOM	1466592000	1	ACCELERATOR ELECTRONIC SIP	
EOM	1467191000	1	MOTORWHEEL TV-130 24V AC 1.2KW KIT	
EOM	1466599000	1	PINION Z8 5/8X3/8 MET. KIT	
EOM	1466600000	1	CHAIN ISO 10B-1 57 PITCHES 2 LINKS SIP	
EOM	1466602000	1	PLATE GALV. F FRONT SKIRT KIT	
WEAR	1466606000	1	SKIRT FRONT OVERMOLDED BLACK RUBBER SIP	
EOM	1467577000	1	WIRE F FRONT SKIRT RAISING SIP	
WEAR	1466613000	1	SKIRT REAR PRIMARY BLACK RUBBER PKD	
WEAR	1466614000	1	SKIRT LT SIDE BLACK RUBBER PKD	
WEAR	1466616000	1	SKIRT REAR RECYCLING BLACK RUBBER PKD	
WEAR	1466619000	1	SKIRT RT SIDE BLACK RUBBER SIP	
EOM	1466644000	1	CONTACTOR 24V 200A SIP	
EOM	1466645000	1	CONTACTOR 24V 100A SIP	
EOM	1467551000	1	HARNESSE STEERING COLUMN SIP	
EOM	9100001879	1	CONTROLLER MAIN MACHINE KIT	
EOM	1466649000	1	Fahrelektronik 24V 240A A.C. SIP	
EOM	1466652000	1	FUSE BOLT DOWN 150A SIP	
EOM	1466653000	1	PEDAL F BRAKE KIT	[1]
EOM	1466655000	1	WIRE F RT BRAKE SIP	
EOM	1466656000	1	WIRE F LT BRAKE SIP	
EOM	1467598000	1	TIE ROD PRIMARY BRAKE SIP	
EOM	1466663000	1	ACTUATOR LINEAR 24V DC STRK 45MM SIP	
EOM	1466668000	1	MOTOR GEARBOX 24VDC 120W RT BROOM SIP	
WEAR	1466670000	1	BROOM SIDE 302X500 PPL 1.5 BLACK	
EOM	1466674000	1	MOTOR GEARBOX 24VDC 120W LT BROOM SIP	
EOM	1466681000	1	CONTROLLER DISPLAY SIP	
EOM	1466691000	1	GEAR BOX 7.5/1 71 B14 SIP	
EOM	1466697000	1	TIE-ROD METALLIC F BROOM SPRING SIP	
EOM	1466701000	1	KNOB LOBES M10 F W/ORANGE CAP SIP	
EOM	1466712000	1	GEARCASE HYDRAULIC 24V 800W 1CC SIP	
EOM	1466723000	1	CYLINDER HYDRAULIC 25/16/120 CPL KIT	
EOM	1466724000	1	BLOCK PLASTIC F LIFTING ARM GUIDE SIP	
EOM	1466790000	1	CYLINDER HYDRAULIC 40/25/470 CPL KIT	
EOM	1466793000	1	FAN AXIAL 24VDC 170W D.225 SIP	
EOM	1466803000	1	ENGINE DIESEL YANMAR 4.1KW 13NM KIT	
EOM	1466804000	1	ALTERNATOR PMG 24V 3.8KW SIP	
EOM	1466810000	1	FLOAT DIESEL LEVEL L.212MM KIT	
EOM	1466856000	1	LEVER F FAN HOLDER BLOCK KIT	
EOM	1466859000	1	HUB F SIDE BROOM SIP	
WEAR	1466860000	1	WHEELS SOLID 4.00-8 CPL KIT	
EOM	1466861000	1	CAM PLASTIC F HOPPER POSITIONING KIT	
EOM	1466862000	1	GASKET DOUBLE BULB RUBBER L.2020MM SIP	

Pos.	Artikel-Nr.	Menge	Variante	Notes
EOM	1466879000	2	BRACKET GALV. F FILTER SHAKER SIP	
WEAR	1466936000	1	BROOM SIDE 302X500 MIX STEEL	
EOM	1466687000	1	MOTOR 24V 1000W 3800 RPM IP44 MP80L KIT	
EOM	1467009000	2	SPRING COMPRESS. D.E.13.5 4 PCS SET	
EOM	1467023000	1	HUB LEFT MAIN BROOM PKD	
EOM	1467024000	1	SPRING PKD	
EOM	1467030000	1	BEARING BALL 6003 2RS PKD	
EOM	1467034000	1	FUSE BLADE 10A PKD	
EOM	1467036000	2	KNOB LOBES M10 FEMALE SIP	
EOM	1467039000	1	SPRING TRACTION CARBON STEEL SIP	
EOM	1467040000	1	FAN RADIAL 24V SIP	
EOM	1467042000	1	LATCH RUBBER PKD	
EOM	1467046000	1	SPRING BRAKE SIP	
EOM	1467054000	1	VALVE BLOCK SIP	
EOM	1467056000	1	HUB MAIN BROOM PKD	
EOM	1467062000	2	SWITCH BACK UP PROXIMITY PKD	
WEAR	1467065000	1	PRE-FILTER DIESEL SIP	
WEAR	1467066000	1	SHOE BRAKE SIP	
WEAR	1467069000	1	ROLLER SIDE BLADE SIP	
EOM	1467070000	1	PIN D.10 BROOM LOCKING PKD	
EOM	1467071000	1	SPRING EXTENTION D.E.30 WIRE D.5 SIP	
WEAR	1467076000	1	BROOM SIDE 302X500 MIX 5	
EOM	1467209000	1	VALVE FLOW CONTROL 5L/MIN 1/4 GAS SIP	
EOM	1467210000	1	SOLENOID 24V 18W N-H13 SIP	
EOM	1467211000	1	CARTRIDGE SOLENOID VALVE 4/2 SIP	
EOM	1467212000	1	CARTRIDGE SOLENOID VALVE 4/3 SIP	
EOM	1467213000	1	CAP PRESSURE D19 SIP	
EOM	1467214000	1	CAP F MP80L MOTOR BRUSHES SIP	
EOM	1467215000	1	CAP F MOTOR BRUSHES SIP	
WEAR	1467226000	1	FILTER F DIESEL OIL SIP	
EOM	1467227000	1	PUMP F DIESEL OIL 12V 24.8W SIP	
EOM	1467228000	1	MOTOR STARTER 24V 1.6KW SIP	
EOM	1467229000	1	SWITCH OIL PRESSURE 0.1MPA SIP	
WEAR	1467230000	1	FILTER AIR DIESEL ENGINE SIP	
EOM	1467232000	1	SEAL WASHER OIL DRAIN DIESEL ENGINE SIP	
EOM	1467233000	1	NOZZLE FUEL INJECT DIESEL ENGINE SIP	
EOM	1467234000	1	PLUG OIL DRAIN DIESEL ENGINE M16 SIP	
EOM	1467235000	1	CAP W/LUB.OIL GAUGE DIESEL ENGINE SIP	
EOM	1467237000	1	PUMP F INJECTOR DIESEL ENGINE SIP	
EOM	1467238000	1	GASKET VALVES COVER DIESEL ENGINE SIP	
EOM	1467241000	1	FUSE BOLT-DOWN 160A SIP	
EOM	1467242000	1	MOTOR ELECTRIC 24V 800W SIP	
EOM	9098329000	1	Schanier Kit	
WEAR	1467083000	2	CARBON BRUSH 2 PCS SET	
WEAR	L08603949	1	Kohlenbürsten Kit 4pcs	
EOM	1466679000	1	DASHBOARD CONTROL PANEL BLUE SIP	
EOM	1467231000	1	GRID AIR INLET DIESEL ENGINE SIP	
EOM	1467240000	1	MUFFLER SIDE EXHAUST - L.70MM SIP	
EOM	1467243000	1	STUD BOLT M/F 1/4 BSP ES. 19 SIP	

## Part Notes:

[1] - STOCK COVERS GUARANTEE

