

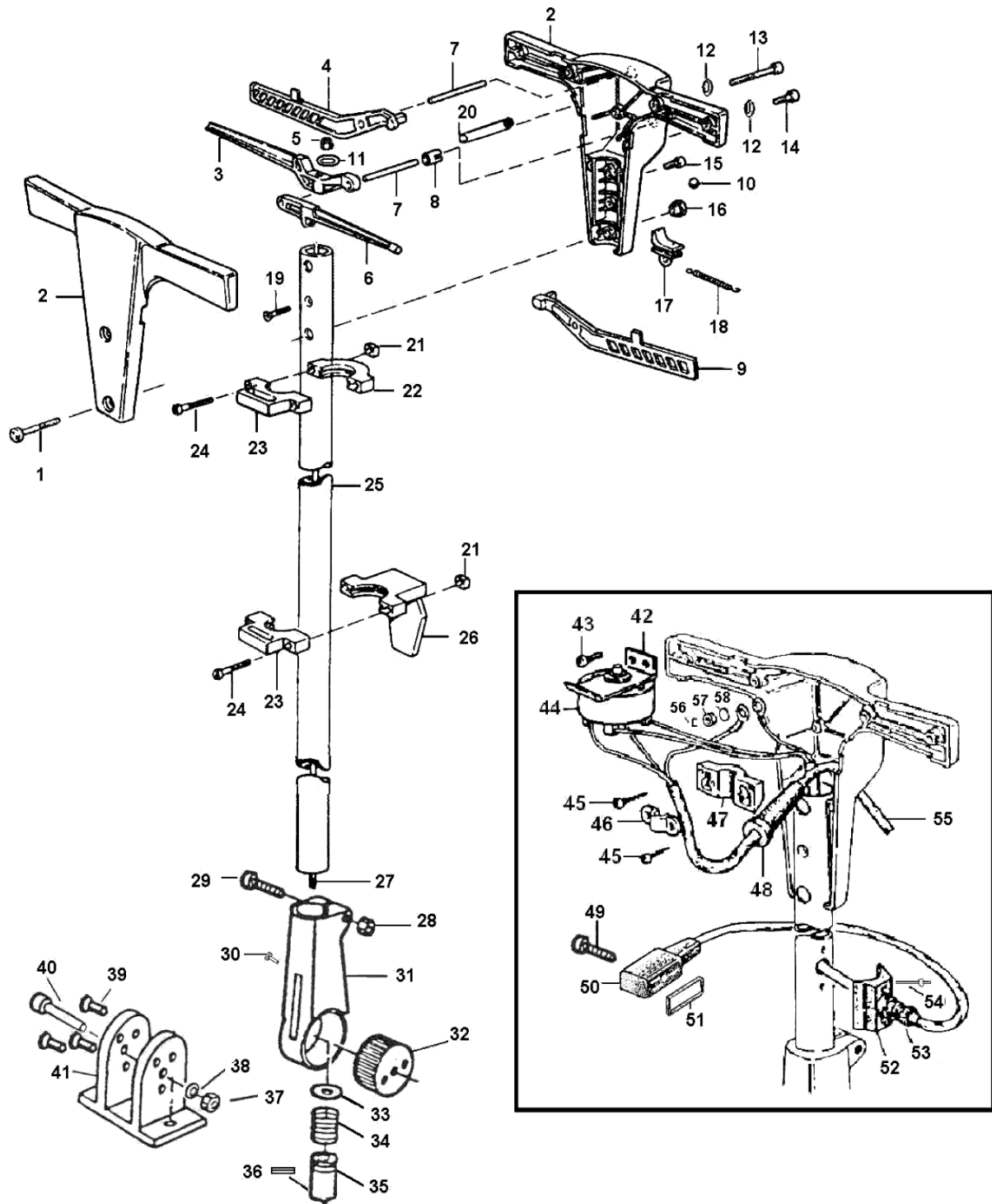
PARTS LIST



2020.05.25

TABLE OF CONTENTS

Handle	1
Handle Ergoline - after SN 002530	4
Standard	6
Gearbox	9
Tank	11
Accessories	13

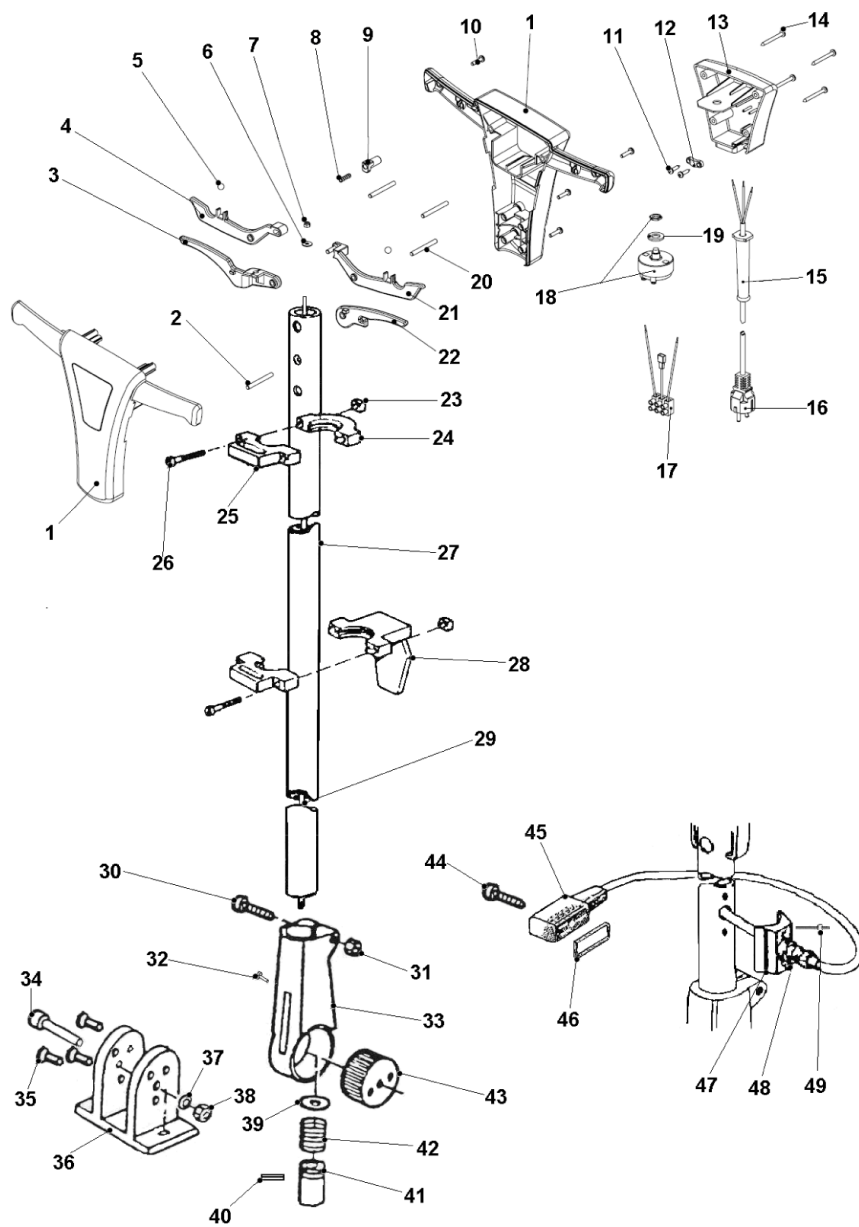


Pos.	Artikel-Nr.	Menge	Variante	Notes
01	145 0601 000	2	SCREW.	
02	145 0602 000	1	T-Griff PS 333 A	
03	145 0603 000	1	HANDLE	
04	145 0604 000	1	HANDLE RIGHT	
05	145 0605 000	1	MUTTER	[1]
06	145 0606 000	1	LEVER	[1]
07	145 0607 000	3	PIN	[1]
08	60003100	1	SPACER. SHORT	[2]
09	145 0609 000	1	HANDLE LEFT	
10	60003101	2	SECURITY SPHERE	
11		1	WASHER, D5	
12		6	WASHER SCHNORR, DA6 C70	
13		2	COVER SCREWS, M6X60	
14		4	COVER SCREWS, M6X16	
15		2	SCREW, M5X30	
16	145 0615 000	2	Mutter PS 333 A	
17	145 0616 000	2	Sicherungshebel zu PS 333	
18	145 0617 000	2	Feder zu PS 333 A	[2]
19		1	SCREW, TSPCEI M5X30	
20	60003102	2	SPACER. LONG	
21		1	INCLUDED IN KIT 104	
22		4	INCLUDED IN KIT 104	
23		4	INCLUDED IN KIT 104	
24		1	INCLUDED IN KIT 104	
25	145 0619 000	1	HANDLE TUBE PS333	[2]
26		4	INCLUDED IN KIT 104	
27	145 0620 000	1	Gewindestange PS 333A	[1]
28		1	NUT, M6	
29		1	SCREW TCEI M6X30	
30	78513012	1	RETAINING BOLT	[1]
31	145 0623 000	1	Alu-Gelenk PS 333A	[1]
32	145 0627 000	1	Zahnrad PS 333A	
33	145 0631 000	1	Unterlagsscheibe PS 333A	[1]
34	145 0632 000	1	Feder PS 333A	
35	145 0633 000	1	Zahnbolzen PS 333A	
36	60003103	1	PIN D4 L8	[1]
37		1	NUT, M8	
38		1	WASHER D8	
39		3	SCREW TSPCEI M6X20	
40		1	PIVOT BOLT TCEI M8X50	
41	78514241	1	Gelenkhalter PS 333A	
42	145 0651 000	1	SWITCH BRACKET	[1]
43		2	SCREW, TCC M5X10	
44	145 0635 000	1	Schalter zu PS 333	
45		4	SCREW TE 4.4X18 WITH EDGE	
46	145 0639 000	1	CABLE GROMMET	[1]
47	145 0640 000	1	CABLE GROMMET	[1]
48	145 0652 000	1	Knickschutztülle	[1]
49		1	SCREW TCC M3X30 WITH EDGE	
50	78512600	1	CABLE WITH STRAIGHT CONN.	
50	60003135	1	Kabel mit Stecker	
51	60003104	4	Dichtung	
52	145 0643 000	1	Zugentlastung	
53	60003105	1	GUIDING SLIT PG9	
54		2	RIVET 4.8X10	
55	60003136	1	POWER CABLE	
55	78512055	1	MAIN CABLE	
56	60003137	1	SQUARE WITH HOLE	
57		1	NUT M4 (FROM SN 001101)	

Pos.	Artikel-Nr.	Menge	Variante	Notes
58		1	WASHER D4 (FROM SN 001101)	
100	60003106	1	HANDLE KIT COMPLETE	[3]
101	60003134	1	HANDLE KIT COMPLETE	[4]
102	60003107	1	SCREW KIT HANDLE	[5]
103	60003108	1	SELECTOR KIT COMPLETE	[6]
104	60003126	1	TANK FIXING KIT	[7]

Part Notes:

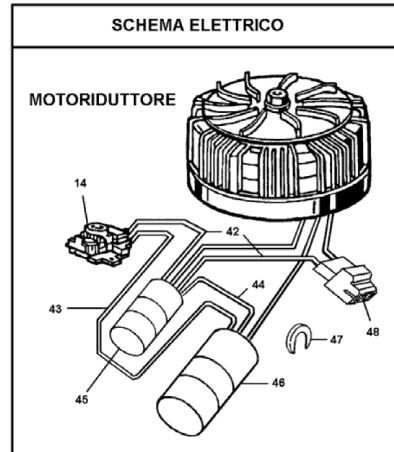
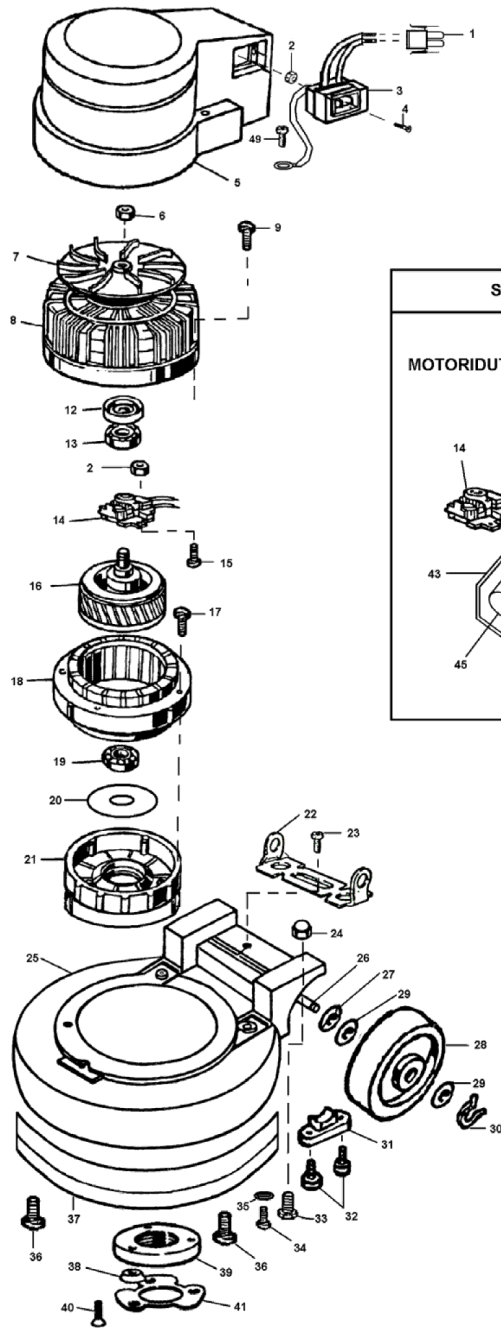
- [1] - STOCK COVERS GUARANTEE
- [2] - NO LONGER AVAILABLE
- [3] - POS: 1-20, 42, 43, 45-48
STOCK COVERS GUARANTEE
- [4] - POS: 1-20, 42, 43, 45-48, 56-58
- [5] - POS: 1, 13-16
- [6] - POS: 28, 29, 31, 32, 37-41
- [7] - POS: 21-24, 26



Pos.	Artikel-Nr.	Menge	Variante	Notes
01	31000288	1	COVER FRONT REAR	
02	31000289	1	PIN D6 X 54	
03	31000290	1	HANDLE ADJUSTMENT LEVER	[1]
04	31000291	1	SWITCH LEVER RIGHT	
05	60003101	1	SECURITY SPHERE	
07	145 0605 000	1	MUTTER	[1]
08	31000292	1	SPRING F. SAFETY SWITCH	
09	31000293	1	DAFETY SWITCH	
12	31000294	1	RETAINER	
13	31000295	1	BOX ELECTRICAL COMPONENT	
15	145 0652 000	1	Knickschutztülle	[1]
16	60003136	1	POWER CABLE	
16	31000296	1	CABLE 3X1.5 MT.12	
17	31000297	1	SOCKET	
18	145 0635 000	1	Schalter zu PS 333	
20	31000298	1	PIN D6 X 58	
21	31000299	1	SWITCH LEVER LEFT	
22	31000300	1	HANDLE F. TANK	
24	60003126	1	TANK FIXING KIT	
25	60003126	1	TANK FIXING KIT	
27	145 0619 000	1	HANDLE TUBE PS333	[2]
28	60003126	1	TANK FIXING KIT	
29	145 0620 000	1	Gewindestange PS 333A	[1]
32	78513012	1	RETAINING BOLT	[1]
33	145 0623 000	1	Alu-Gelenk PS 333A	[1]
36	78514241	1	Gelenkhalter PS 333A	
40	60003103	1	PIN D4 L8	[1]
41	145 0633 000	1	Zahnbolzen PS 333A	
42	145 0632 000	1	Feder PS 333A	
43	145 0627 000	1	Zahnrad PS 333A	
45	60003135	1	Kabel mit Stecker	
46	60003104	1	Dichtung	
47	145 0643 000	1	Zugentlastung	
48	60003105	1	GUIDING SLIT PG9	
100	31000301	1	HANDLE KIT COMPLETE	

Part Notes:

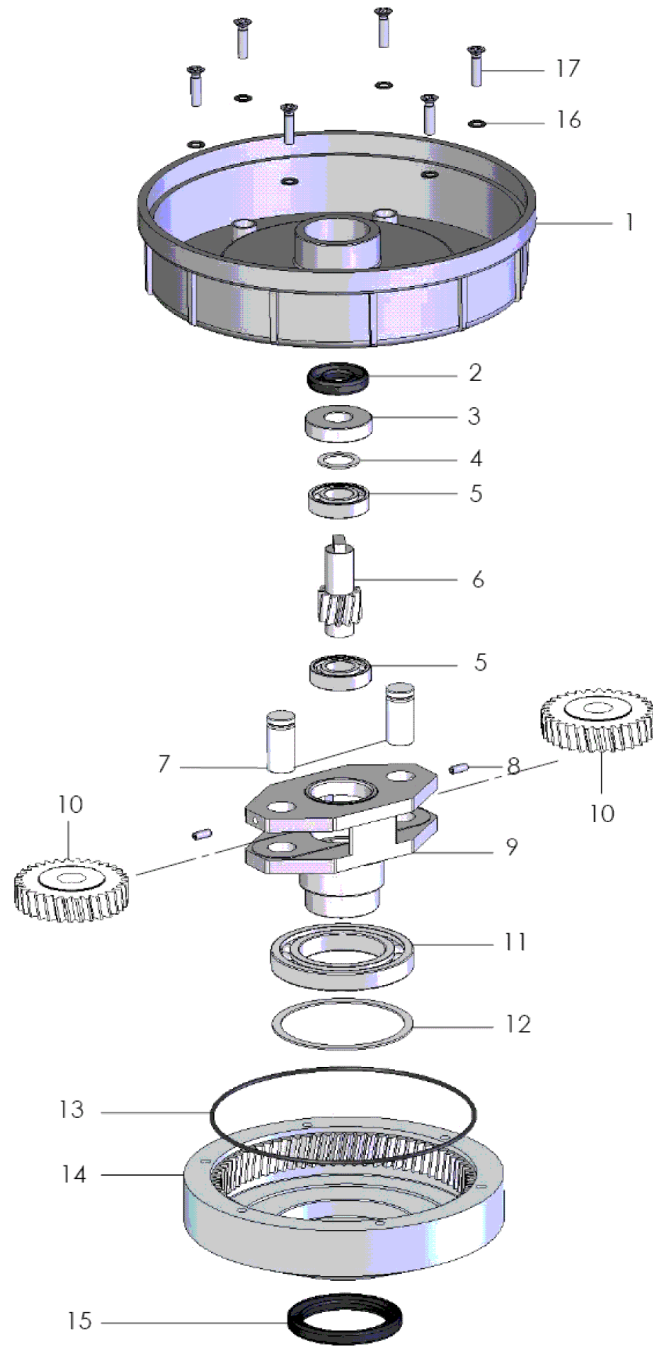
- [1] - STOCK COVERS GUARANTEE
 [2] - NO LONGER AVAILABLE



Pos.	Artikel-Nr.	Menge	Variante	Notes
00	78517351	1	PS 333A BASE	[1]
01	60003109	1	PIN CONNECTOR	[2]
02		3	BOLT M4	
03	78512007	1	Steckdose PS 333A	
04	60003110	1	Schraube M4 x 14	[3]
05	78515442	1	Motorabdeckung PS 333A	
06	78513868	1	NUT	
07	78515443	1	COOLING FAN	
08	60003111	1	MOTOR COVER	[3]
09		4	SCREW TCC 4X40	
12		1	GAITER FOR BEARING 6001 ZZ	
13		1	BEARING 6001 ZZ	
14	60003114	1	Fliehkraftschalter	
15		2	SCREW TCC M4X16	
16	60003132	1	ROTOR D. 127	
16		1	ROTOR D125 H30 (UNTIL SN 001101)	
17		6	SCREW TCC 3,9X44	
18		1	STATOR D200/125 H30 (UNTIL SN 001101)	
18	60003133	1	STATOR 200 X 127	
19		1	BEARING E15	
20		1	WASHER 70X180X0.2	
21	60003117	1	REDUCTION GEAR	
22	78514117	1	CAPACITOR HOLDER	
23		1	SCREW TCCS 5X10 (UNTIL SN 001101)	
23		1	SCREW C15 SW 5X10 TS PH (FROM SN 001101)	
24		2	NUT M8	
25	78514160	1	Radkit PS333A	
26		1	WHEEL AXLE D12	
27		2	WHEEL WASHER 12X17X0.5	
28		2	WHEEL D100X36 DIAMETER 12	
29		2	WASHER D 12X18X0.5	
30		2	CIRCLIP 12E	
31	78515273	2	HANDLEBAR RETAINER	[2]
32	78513007	4	SCREW	[2]
33		2	SCREW TE M8X20	
34		2	SCREW TCEI M5X30	
35		4	WASHER DA5	
36		5	SCREW M5X16	
37	78516050	1	RUBBER BUFFER	
38		1	SPACER+ NUT 25X5.25	
39		1	DRIVE HUB D36	
40		3	SCREW SW TSCE M8X20 INOX A2	
41		1	DRIVE HUB PLATE	
42	60003118	1	CONDUCTOR WHITE DISJUNCTO	
43	60003119	1	CONDUCTOR WHITE	
44	60003120	1	CONDUCTOR YELLOW	
45	78512882	1	Condensator PS 333 A12.5mF	
46	145 0646 000	1	Startkondensator67-80MF zu PS 333A	
47	60003121	1	COVER CAP D45	
48	60003122	1	Steckverbinder	[3]
49		1	SCREW C15 SW 5X6 TC PH (FROM SN 001101)	
100	78511392	1	MOTOR AND GEARBOX ASSY.	[4]
101	60003130	1	MOTOR REDUCTOR	[4]
102	60003123	1	DRIVE HUB KIT COMPLETE	[5]
103	60003124	1	WHEELS KIT	[6]
104	60003125	1	PLUG KIT	[7]
105	20708400	1	KIT REPLACEMENT STATOR AND ROTOR	[8]
106	20708500	1	KIT REPLACEMENT MOTOR AND GEARBOX	[8]

Part Notes:

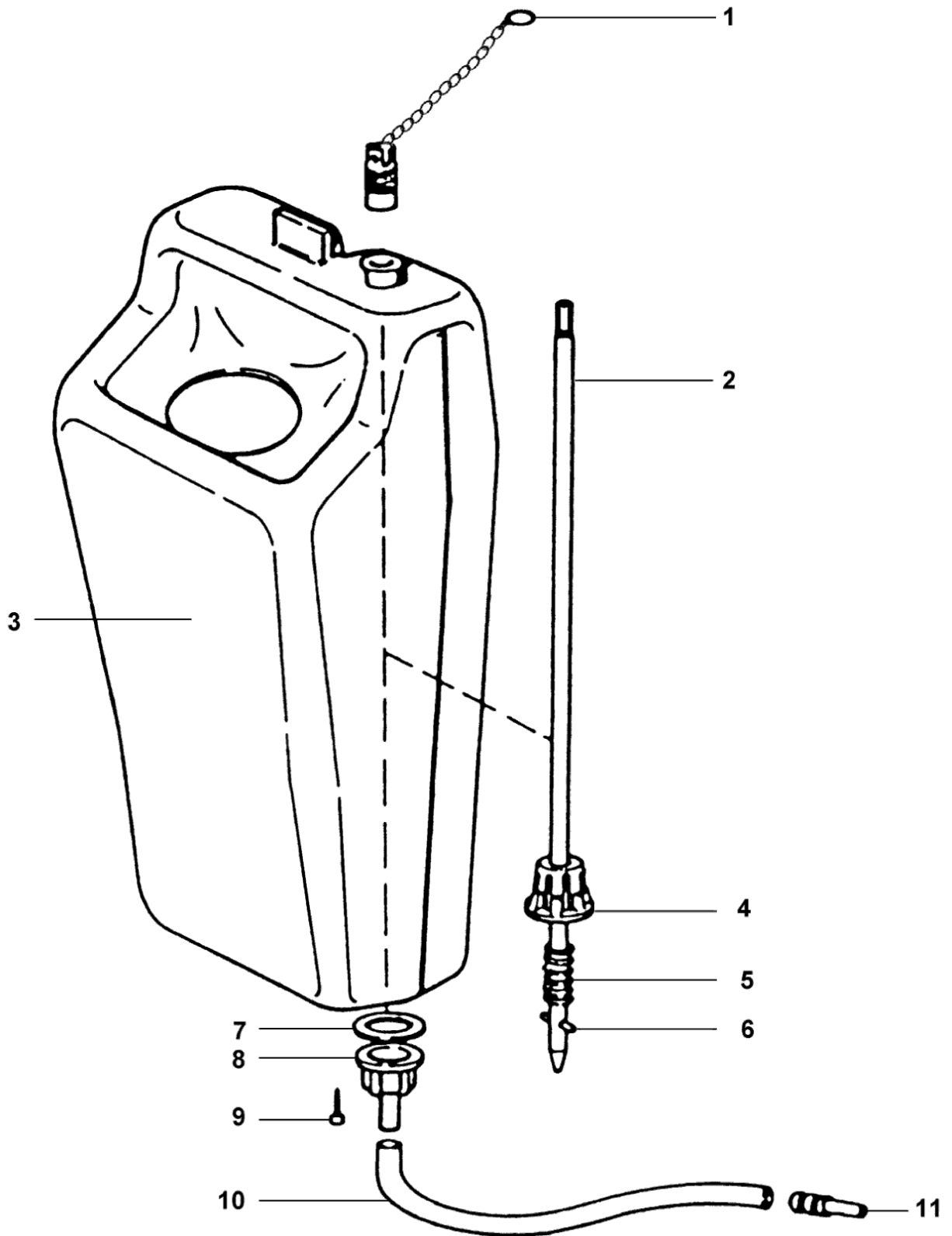
- [1] - INTERNAL USE ONLY
- [2] - NO LONGER AVAILABLE
- [3] - STOCK COVERS GUARANTEE
- [4] - POS: 2, 8, 9, 12-21, 38-43,48
- [5] - POS: 38-41
STOCK COVERS GUARANTEE
- [6] - POS: 26-30
- [7] - POS: 1-4
- [8] - UPDATE KIT: SEE TSB_SD 2007-001 TSB SD 2007-001. New machine motor and Class I isolation



Pos.	Artikel-Nr.	Menge	Variante	Notes
01	60003127	1	GEARBOX SUPPORT	
02		1	OLI SEAL 15X32X7 NBR TC	
03		1	BEARING E15	
04		1	WASHER D16X22X1	
05		2	BEARING SC 16002	
06		1	LAYSHAFT	
07	78514179	2	GEAR SHAFT	
08	78513010	2	GRUB SCREW	[1]
09	78514183	1	GEAR HOLDER	
10	78515233	2	GEAR	
11		1	BEARING SC 16009	
12		1	WASHER 65X74X1	
13		1	O-RING 140X2	
14	78514194	1	PLANETARY BOX	
15	78513006	1	OIL SEAL	[2]
16		6	CONIC WASHER D5	
17		6	SCREW TSPCEI M5X20	
100	60003128	1	GEARBOX COMPLETE	[3]

Part Notes:

- [1] - STOCK COVERS GUARANTEE
- [2] - NO LONGER AVAILABLE
- [3] - POS: 1-17



Pos.	Artikel-Nr.	Menge	Variante	Notes
1	60003129	1	Kette für Tank	[1]
2		1	VALVE ROD	
3	140 7509 000	1	Wassertank 12 LiterTANK ASSY CPL	
4		1	VALVE HOUSING	
5		1	SPRING FOR VALVE HOUSING	
6		1	PIN	
7		1	SEAL WASHER	
8		1	VALVE SEAT	
9		4	SCREW, STAINLESS TCC 3,5X40 CP INOX A2	
10	145 0756 000	1	Schlauch	[1]
11	145 0757 000	1	Fadendüse f. PS 333	
100	145 0765 000	1	Tankventil kompl. PS 333A	[2]

Part Notes:

- [1] - STOCK COVERS GUARANTEE
- [2] - Pos: 4, 5, 7-9

Pos.	Artikel-Nr.	Menge	Variante	Notes
01	140 7505 000	1	Padhalter	
02	140 7506 000	1	Fegbürste 330 mm	
03	141 7507 000	1		
04	142 7508 000	1		
05	10001914	1	Eco Pad 13", Ø 330 mm, rot, VPE 5	
06	10001915	1	Eco Pad 13", Ø 330 mm, weiß, VPE 5	
07	10001911	1	Eco Pad 13", Ø 330 mm, blau, VPE 5	
08	10001912	1	Eco Pad 13", Ø 330 mm, braun, VPE 5	
09	140 7509 000	1	Wassertank 12 Liter	
