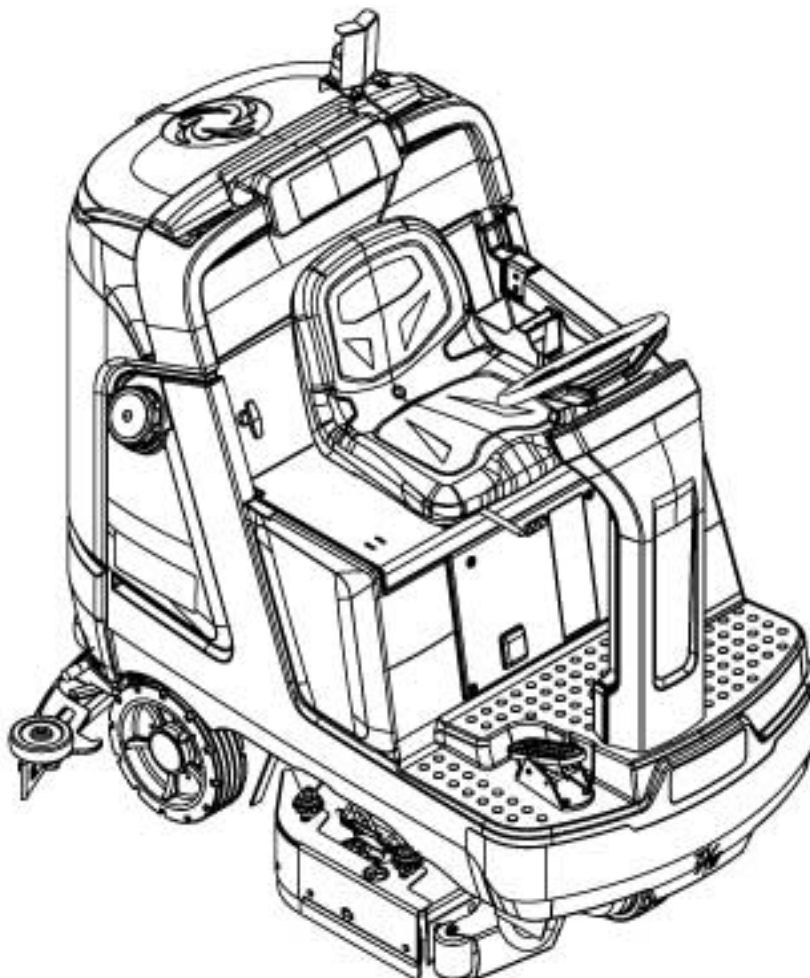


# PARTS LIST



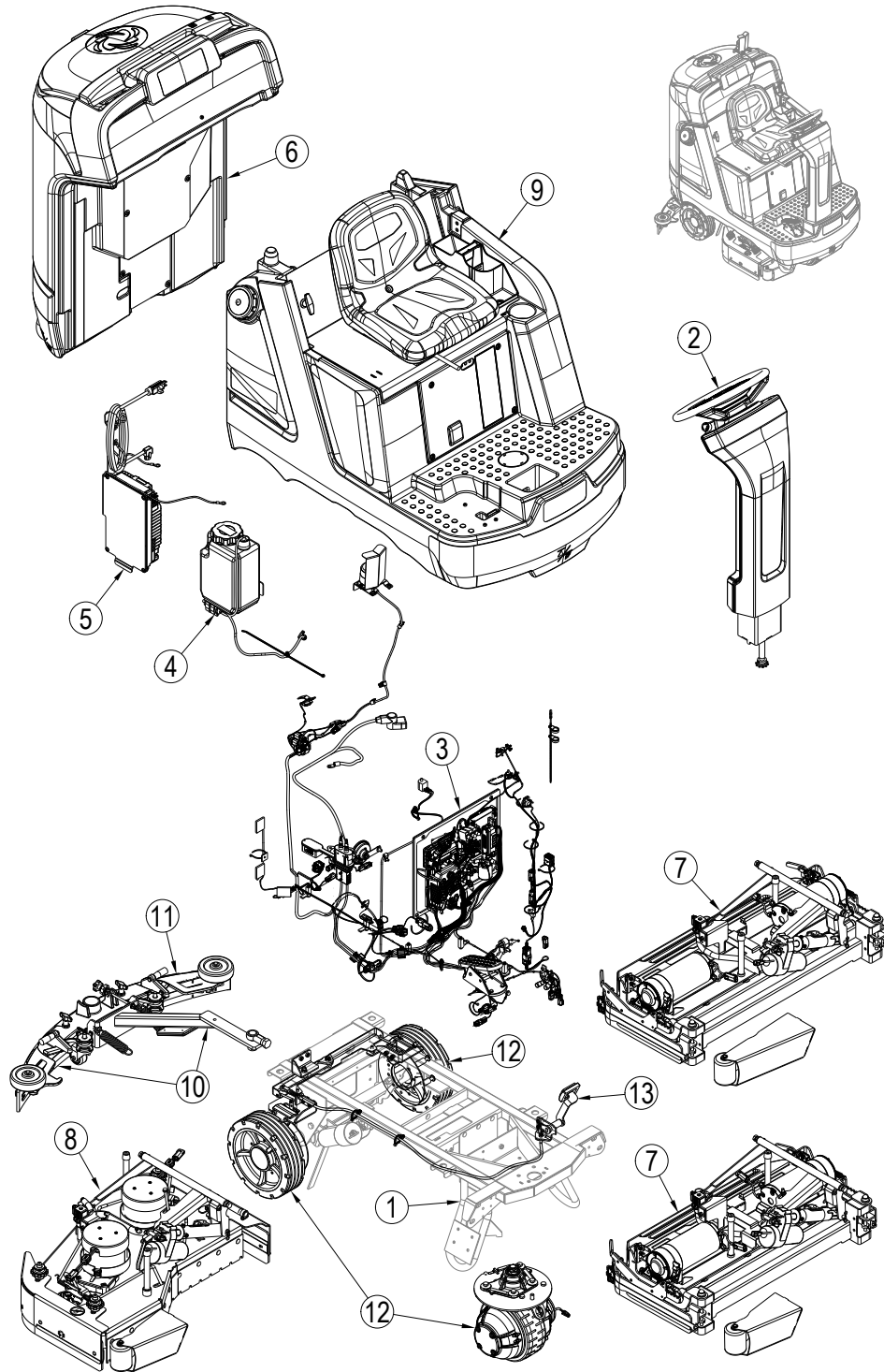
2022.07.06

# TABLE OF CONTENTS

---

General View .....	1
Chassis System .....	3
Steering Control System .....	5
Decal System .....	8
Electrical System-1 .....	10
Electrical System-2 .....	13
Electrical System-3 .....	16
Electrical System-4 .....	19
Electrical System-5 .....	22
Electrical System-6 .....	25
Electrical System-7 .....	28
Ecoflex™ Assembly .....	31
Onboard-Charger-Assembly .....	33
Recovery System .....	35
Scrub System-Cylindrical-Deck Assembly-810C .....	38
Scrub System-Cylindrical-Deck Assemblies-810C .....	41
Scrub System-Cylindrical-Right Side Blade Assembly .....	44
Scrub System-Cylindrical-Left Side Blade Assembly .....	46
Scrub System-Disc-Right Side Skirt Assembly .....	48
Scrub System-Disc-Left Side Skirt Assembly .....	50
Solution System .....	52
Squeegee System .....	55
Squeegee System-Squeegee Assembly-J .....	57
Rear and Drive Wheel System .....	59
Drive Motor Breakdown .....	61
Rear Brake Assembly .....	63
Ladder Diagram-1 .....	65
Ladder Diagram-2 .....	67
Ladder Diagram-3 .....	69
Ladder Diagram-4 .....	71
Ladder Diagram-5 .....	73
Ladder Diagram-6 .....	75
Ladder Diagram-7 .....	77
Options & Accessories .....	79
Recommended Spare Parts .....	82
Brush Selector Guide -Disc .....	85
Brush Selector Guide - Cylindrical .....	87

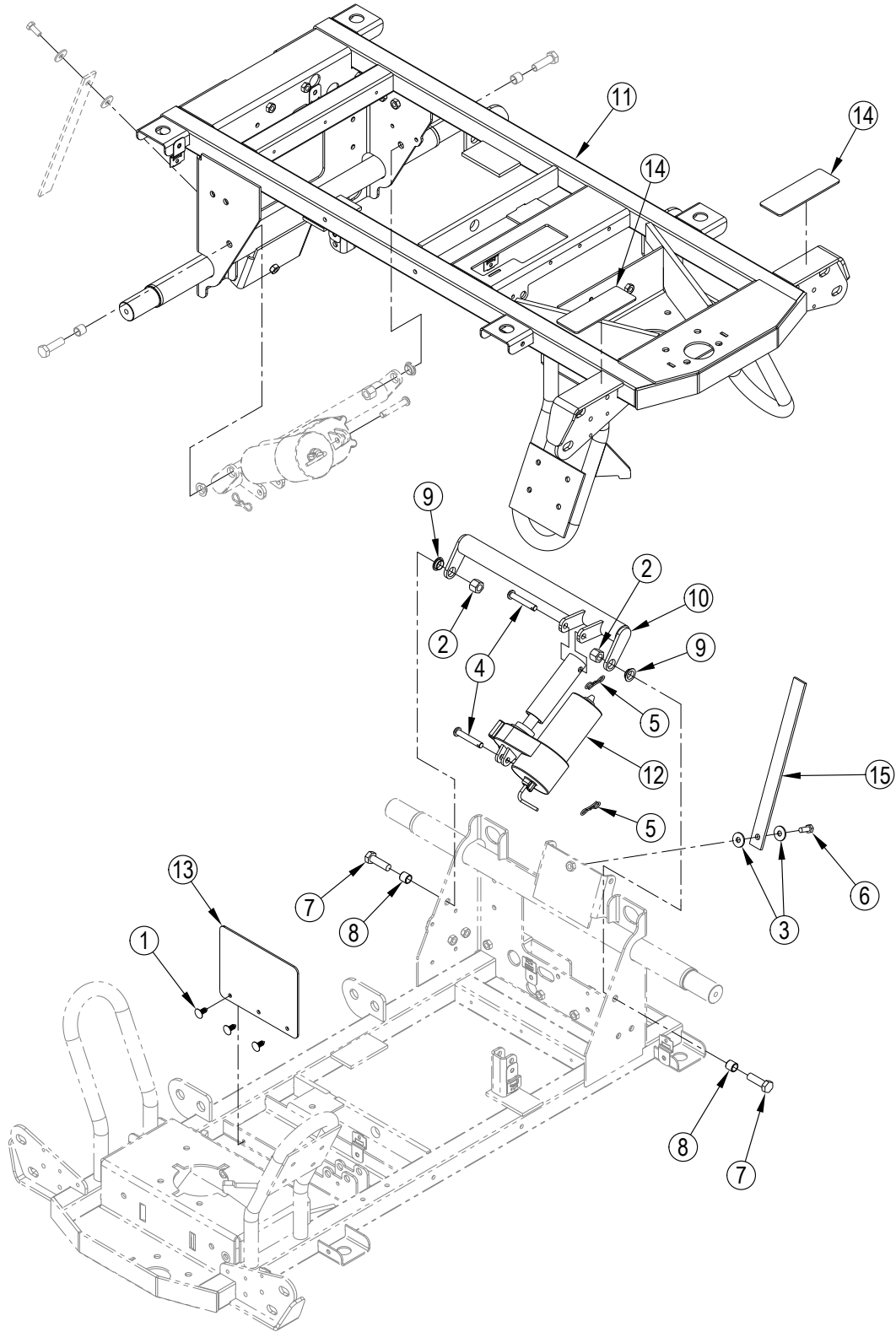




Pos.	Artikel-Nr.	Menge	Variante	Notes
1		1	Chassis System	[1]
2		1	Control System	[2]
3		1	Electrical System	
4		1	Ecoflex™ Assembly	[3]
5		1	Onboard-Charger-Assembly	[4]
6		1	Recovery System	[5]
7		1	Scrub System-Cylindrical	
8		1	Scrub System-Disc	
9		1	Solution System	[6]
10		1	Squeegee System	[7]
11		1	Squeegee Assy	[8]
12		1	Wheel System	[9]
13		1	Rear Brake System	[10]

## Part Notes:

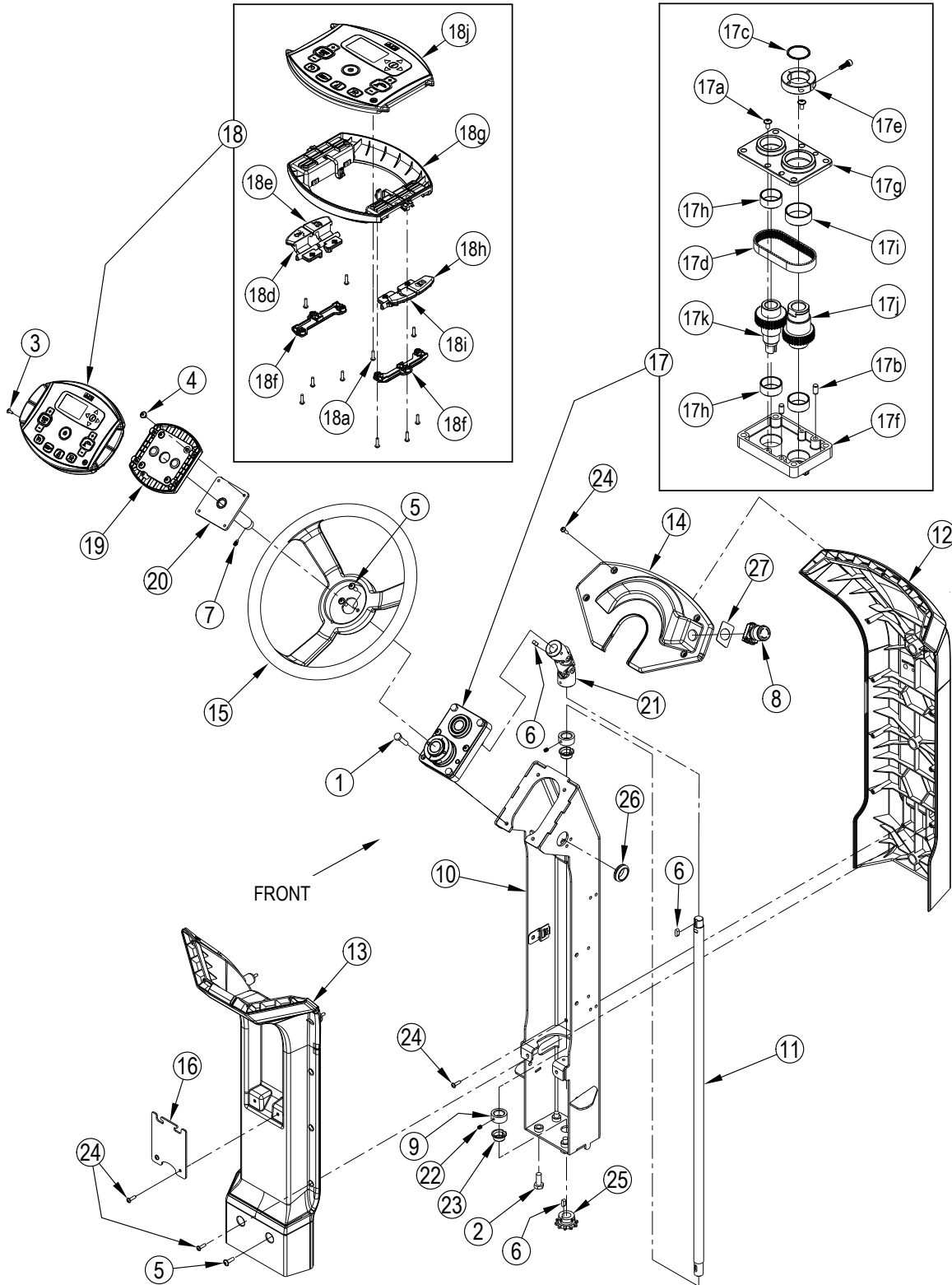
- [1] - Chassis System
- [2] - Steering Control System
- [3] - Ecoflex™ Assembly
- [4] - Onboard-Charger-Assembly
- [5] - Recovery System
- [6] - Solution System
- [7] - Squeegee System
- [8] - Squeegee System-Squeegee Assembly-J
- [9] - Rear and Drive Wheel System
- [10] - Rear Brake Assembly



Pos.	Artikel-Nr.	Menge	Variante	Notes
1		3	Rivet, Nylon Tree Push-In (.25)	[1]
2		2	Nut, Hex Nyl Loc Ss M12-1.75	[2]
3		2	Wsh, Flt Ss 8mm	[3]
4		2	Clevis Pin	[4]
5		2	Pin-Bow-Tie Cot 7/16-1/2x.091	[4]
6		1	Scr Hex M8x20 Ss W/Thd Lck	[3]
7		2	Scr Hex M12x40 Ss W/Thd Lck	[2]
8		2	Bushing-12.5x16x14.48mm	[2]
9		2	Bearing-Flange-16x18x6mm	[2]
10		1	Squeegee Lift Arm Weldment	[2]
11	56117240-SP	1	CHASSIS WELDMENT	
12		1	Actuator-Squeegee	[4]
13		1	Shield-Actuator-Deck	[1]
14	56120450	2	PAD-RUBBER-CHASSIS	
15		1	Strap,Static, 12.5"	[3]
			Service Kits	
K1	56117889	1	SQUEEGEE ACTUATOR KIT	[5]
K2	56117890	1	SQUEEGEE ARM KIT	[6]
K3	56117891	1	STATIC STRAP KIT	[7]
K4	56117833	1	ACTUATOR SHIELD KIT	[8]

## Part Notes:

- [1] - K4
- [2] - K2
- [3] - K3
- [4] - K1
- [5] - K1 include pos. 4, 5, 12
- [6] - K2 include pos. 2, 7, 8, 9, 10
- [7] - K3 include pos. 3, 6, 15
- [8] - K4 include pos. 1, 13



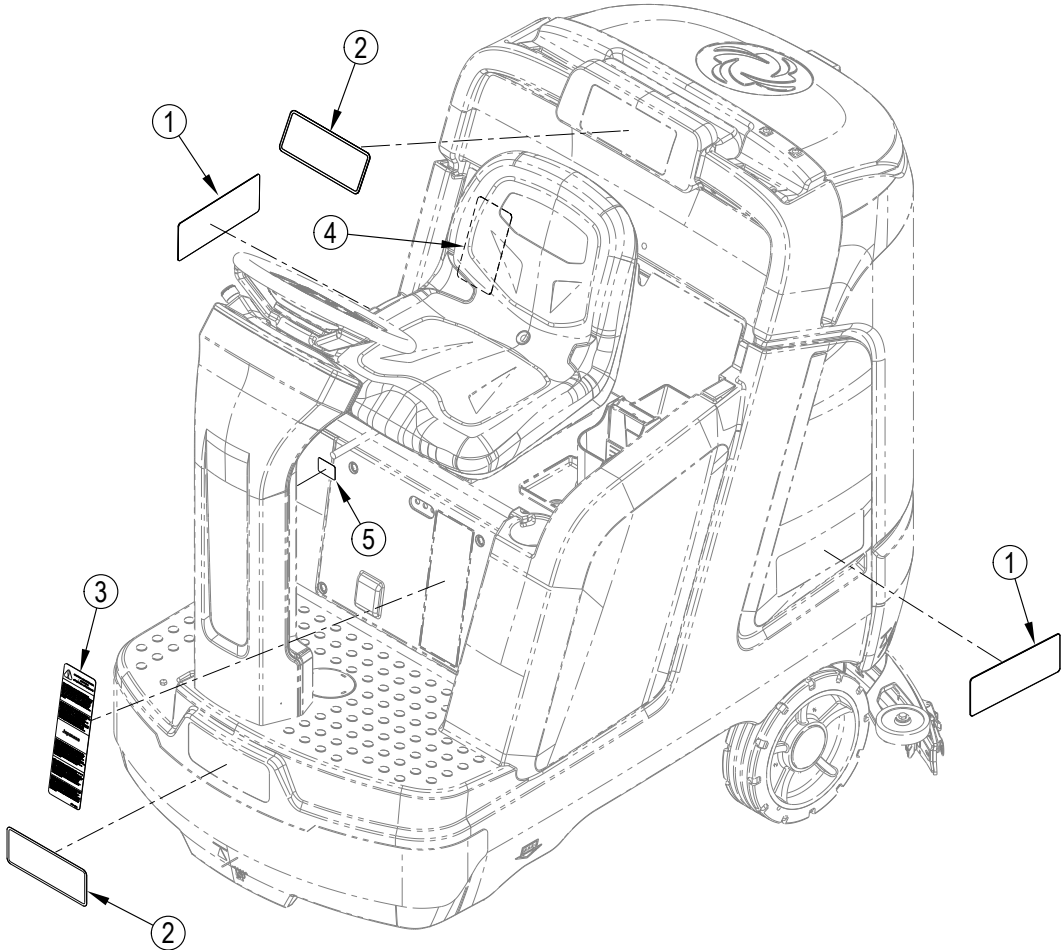
Pos.	Artikel-Nr.	Menge	Variante	Notes
1	56004088	4	SCR HEX M8X35 SS W/THD LCK	
2	56004091	4		
3		4	Scr Trx M4x10 Bk Zc W/Thd Lck	[1]
4	56004099	4	SCR TRX M6X8 BK ZC W/THD LCK	
5	56004101	6	SCR TRX M6X20 W/THD LCK BLK	
6		3	Key-Sq 6x6x16-Din 6885a	[2]
7		1	Scr-Soc Set-Dog M6-1x12 Din915	[3]
8	56104247	1	DISCONNECT-EMERGENCY	
9		2	Collar-Shaft-20x32x14mm	[4]
10	56117080-SP	1	STEERING COLUMN WELDMENT	
11		1	Shaft-Steering-Lower	[5]
12	56120470-SP	1	SHROUD-STEERING-PIM-FRONT	
13	56117386-SP	1	SHROUD-STEERING-PIM-BACK	
14	56117387-SP	1	SHROUD-STEERING-PIM-TOP	
15	56117436-SP	1	WHEEL-STEERING	
16	56117438-SP	1	PLATE-COVER-SHROUD	
17	56117705-SP	1	OFFSET STEERING ASSY	
17a		2	Scr Trx M6x12 W/Thd Lck Blk	
17b		2	Pin-Dowel-Iso2338-A1-H8-8x16	
17c		1	Ring-Ret-Spiral-Ext-35mm	
17d		1	Belt-Sync-5mm Pitch-300long	
17e		1	Collar-Shaft-M35-Steering	
17f		1	Base-Offset Steering	
17g		1	Cover-Offset Steering	
17h		3	Bearing-Sleeve-32x36x15	
17i		1	Bearing-Sleeve-40x44x16	
17j		1	Sprocket-Steering Wheel	
17k		1	Sprocket-U-Joint	
18		1	Interface Assembly	[1]
18a		10	Scr M3.5x14 Trx Plastite	[1]
18b		1	Bootloader-Interface	[1]
18c		1	Firmware-Interface	[1]
18d		1	Paddle-Boost Of Power	[1]
18e		1	Paddle-Solution	[1]
18f		2	Retainer-Paddle-Interface	[1]
18g		1	Housing Assembly-Padl Membrane	[1]
18h		1	Paddle-Reverse	[1]
18i		1	Paddle-Horn	[1]
18j		1	Display Assembly-Oled	[1]
19	56117716-SP	1	BASE-INTERFACE	
20		1	Mounting Weldment-Interface	[6]
21		1	Ujoint-Double-18mm	[7]
22		2	Scr-Soc-Set Cup M6x8 Iso4029	[4]
23	56118192	2	BEARING-FLANGE-20X23X12-BRONZE	
24	302004029	18	SCREW 5X18	
25		1	Sprocket-10 Tooth-18mm	[8]
26	56117681-SP	1	GROMMET-1.25DOGX.19WOGX.88ID	
27	56117849-SP	1	DECAL-EMERGENCY STOP	
			Service Kits	
K1	56117185	1	INTERFACE KIT	[9]
K2	56117924	1	INTERFACE MOUNT KIT	[10]
K3	56117923	1	UNIVERSAL JOINT KIT	[11]
K4	56117920	1	LOWER STEERING SHAFT KIT	[12]
K5	56117922	1	SHAFT COLLAR KIT	[13]
K6	56117921	1	SPROCKET KIT	[14]

## Part Notes:

- [1] - K1  
[2] - K3,K4

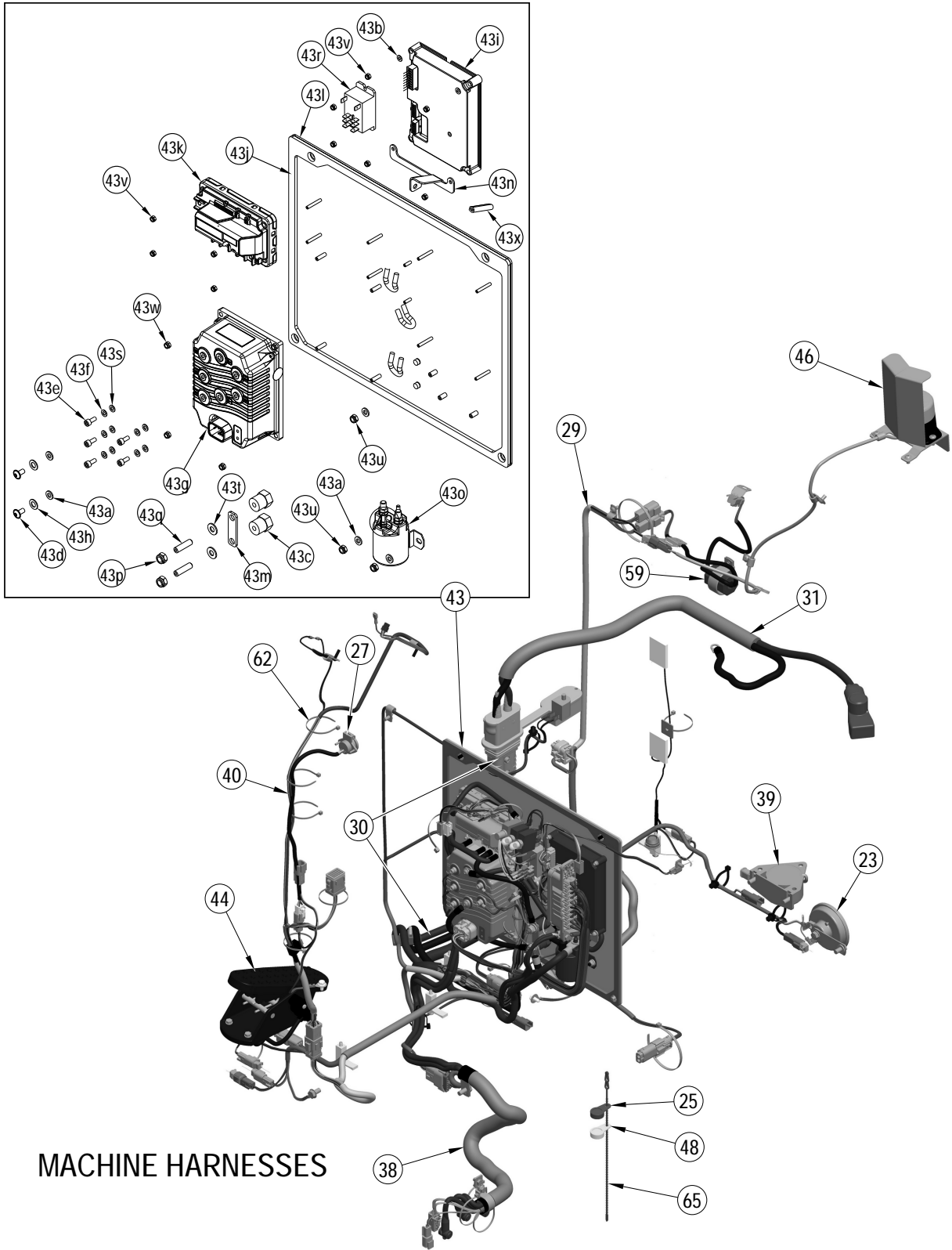
- [3] - K6, K2
- [4] - K5
- [5] - K4
- [6] - K2
- [7] - K3
- [8] - K6
- [9] - K1 include pos.3, 18
- [10] - K2 include pos. 7, 20
- [11] - K3 include pos. 6, 25
- [12] - K4 include pos. 11
- [13] - K5 include pos. 9, 22
- [14] - K6 include pos. 6, 25





---

<b>Pos.</b>	<b>Artikel-Nr.</b>	<b>Menge</b>	<b>Variante</b>	<b>Notes</b>
1	56117481	2		
2	1463789000	2	DECAL NILFISK 210X83MM F LIGHT GREY SURF	
3	56014601	1	DECAL, CAUTION	
4	56117846-SP	1	DECAL-BATTERY	



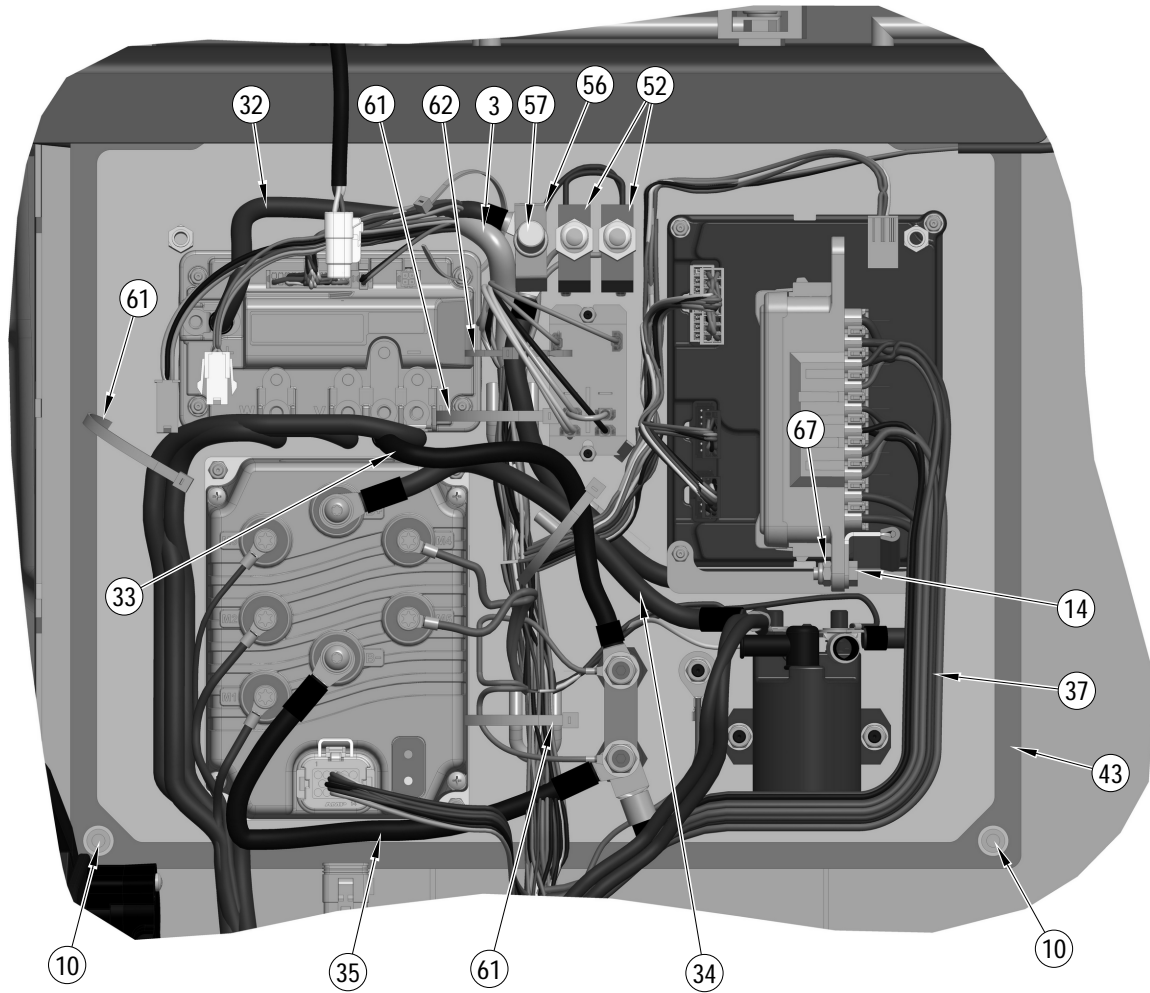
MACHINE HARNESSSES

Pos.	Artikel-Nr.	Menge	Variante	Notes
1	1312	1	MOUNTING PAD	
2		4	Washer Plain M6x12.5x1.6 Ss Iso7093	[1]
3	33009876	1	SPIRAL SLEEVE D.21-25 -SKEIN	[2]
4	1467022000	2	SCREW M6X12 HEX HD DIN7500 2 PCS SET	
5	56001816	2	SCR M3.5X14 TRX PLASTITE	
6	56002561	1	NUT HEX W/SHRPF 1/4/20	
7		1	Scr Hex M6x12 Ss W/Thd Lck	[3]
8	56004084	4	SCR HEX M6X20 SS W/THD LCK	
9	56004087	1	SCR HEX M8X20 SS W/THD LCK	
10	56004100	9	SCR TRX M6X12 W/THD LCK BLK	
11	56004124	2	SCR HEX M6X30 SS W/THD LCK	
12	56004127	2	SCR TRX M5X16 W/THD LCK BLK	
13	56004128	2	SCR HEX M8X16 SS W/THD LCK	
14		1	Scr Hex M6x16 Ss W/Thd Lck	[3]
15	56004148	1	WSHR-28.6ODX22.2IDX1.5 BLK NYL	
16	56004152	5	SCR HEX M6X45 SS W/THD LCK	
17	56004157	2	SCR TRX M6X16 W/THD LCK BLK	
18	56004158	2		
19	56004160	2	SCR TRX M8X16 W/THD LCK BLK	
20	56111972	1	CLIP-CONNECTOR	
21	56115432	1	FUSE-150 AMP	
22	56115433	1	HOLDER-FUSE	
23	56116375	1	HORN-36V	
24	56116477	1	IBUTTON-PROBE	
25	56116518	1	SMART KEY-USER	
26		1	Bracket-Beacon	[3]
27	56116601	1	USB-2.0-TYPE A-PANEL MOUNT	
28	56116611	4	CABLE TIE MOUNT	
29	56117202-SP	1	MAIN HARNESS	
30	56117400-SP	1	HARNESS-MACHINE POWER	
31	56117401-SP	1	HARNESS-BATTERY POWER	
32	56117404-SP	1	CABLE - POWER-6 GA	
33	56117405-SP	1	CABLE-RETURN-6 GA	
34	56117406-SP	1	CABLE-POWER-6 GA	
35	56117407-SP	1	CABLE-RETURN-6 GA	
36	56117408-SP	1	HARENSS-RECOVERY TANK	
37	56117409-SP	1	CABLE-POWER-6 GA	
38	56117411-SP	1	HARNESS-TRACTION	
39	56117416-SP	1	ALARM-BACK-UP-11-100V	
40	56117417-SP	1	HARNESS-COLUMN	
41	56117427-SP	1	SENSOR-LEVEL-CAPACITIVE	
42		1	Bracket-Hazard Light	[3]
43		1	Electrical Panel Assembly	
43a	33005875	5	WASHER M6 UNI6592 SS	
43b	33023198	2	WASHER PLAIN M4 ISO7089 10 PCS SET	
43c	33017365	2	ISOLATOR M8	
43d	56004100	2	SCR TRX M6X12 W/THD LCK BLK	
43e	56004130	5	SCR TRX M5X12 SKT SS W/THD LCK	
43f	56009255	5	WSH INT SHPRF 5MM	
43g	56116087	1	MODULE-HIGH POWER	
43h	56116828	2	WASHER INT LOCK M6 DIN6798J SS	
43i		1	Pcb Box Assembly-Main	[4]
43j	56117413-SP	1	GASKET-ELECTRICAL PANEL	
43k	56117418-SP	1	CONTROLLER-DRIVE BRUSHLESS DC	
43l	56117448-SP	1	PANEL ASSEMBLY-ELECTRICAL	
43m	56117669-SP	1	PLATE-BUS BAR	
43n	56117831	1	BRACKET-FUSE HOLDER	
43o		1	Contacto-36v	[1]
43p	145 0452 000	2	NUT SELFLOCKING LOW M8 UNI7474 SS	

Pos.	Artikel-Nr.	Menge	Variante	Notes
43q	909 6600 000	2	Schraube M8X30 UNI5929 SS	
43r	40892A	1	Zweipoliges Umschalt-	
43s	L08241500	5	SCHEIBE 5,3 A 2	
43t	9100001351	2	WASHER M8 UNI6592 SS 10 PCS SET	
43u	L08603682	3	Stopmutter	
43v	L08603685	10	Stoppmutter M4 UNI7474	
43w	L08603688	2	Mutter, selbsts. M5	[5]
43x	L08812661	1	GASKET RUBBER -SKEIN	[2]
44	56123358-SP	1	PEDAL-UNI DIRECTION-HALL	
45	56117796-SP	1	BRACKET-TRACTION HARNESS	
46	56117845-SP	1	BEACON-WARNING LED	[3]
47	56117964-SP	1	BUSHING-FLANGE-20X21X3.5MM	
48	56116519	1	SMART KEY-SUPERVISOR	
49	56123173	1	CLIP-CONNECTION	
50	56314155	2	Kabelklemme	
51	56314608	5	CLAMP CABLE	
52	56315255	2	CIRCUIT BREAKER 5 AMP	
53		11	Clamp, Hose Support	[3]
54	56394585	1	CLAMP-P-1.57 DIA.	
55	56410223	1	Schelle	
56	56454429	1	CIRCUIT BREAKER 70A	
57	56459369	1	Abdeckung Rückstellknopf5015	
58	56496276	1	Klammer	
59	56601686	1	FERRITE BEAD	
60	302004029	2	SCREW 5X18	
61	1466344000	8	TIE CABLE 4.8X200 BLACK 10 PCS SET	
62	1467025000	12	TIE CABLE 2.9X130 BLACK 10 PCS SET	
63	9098906000	2		[3]
64	7-82-00050	1	Sitzschalter BR 1300 S	
65	L08066000	1	TIE CABLE QUICK FASTENING L.320	
66	9100001351	2	WASHER M8 UNI6592 SS 10 PCS SET	
67		1	Nut Lock Hex M6 Low Ss Iso10511	[1]
			Service Kits	
K1	56117465	1	CONTROLER KIT	[6]
K2	56117834	1	HAZARD LIGHT BRACKET KIT	[7]
K3	56117835	1	36V CONTACTOR KIT	[8]

## Part Notes:

- [1] - K3
- [2] - NOT FOR SALE VIA EDC
- [3] - K2
- [4] - K1
- [5] - NO LONGER AVAILABLE
- [6] - K1 include pos. 43i
- [7] - K2 include pos. 7, 14, 26, 42, 46, 53, 63
- [8] - K3 include pos. 2, 43o, 67



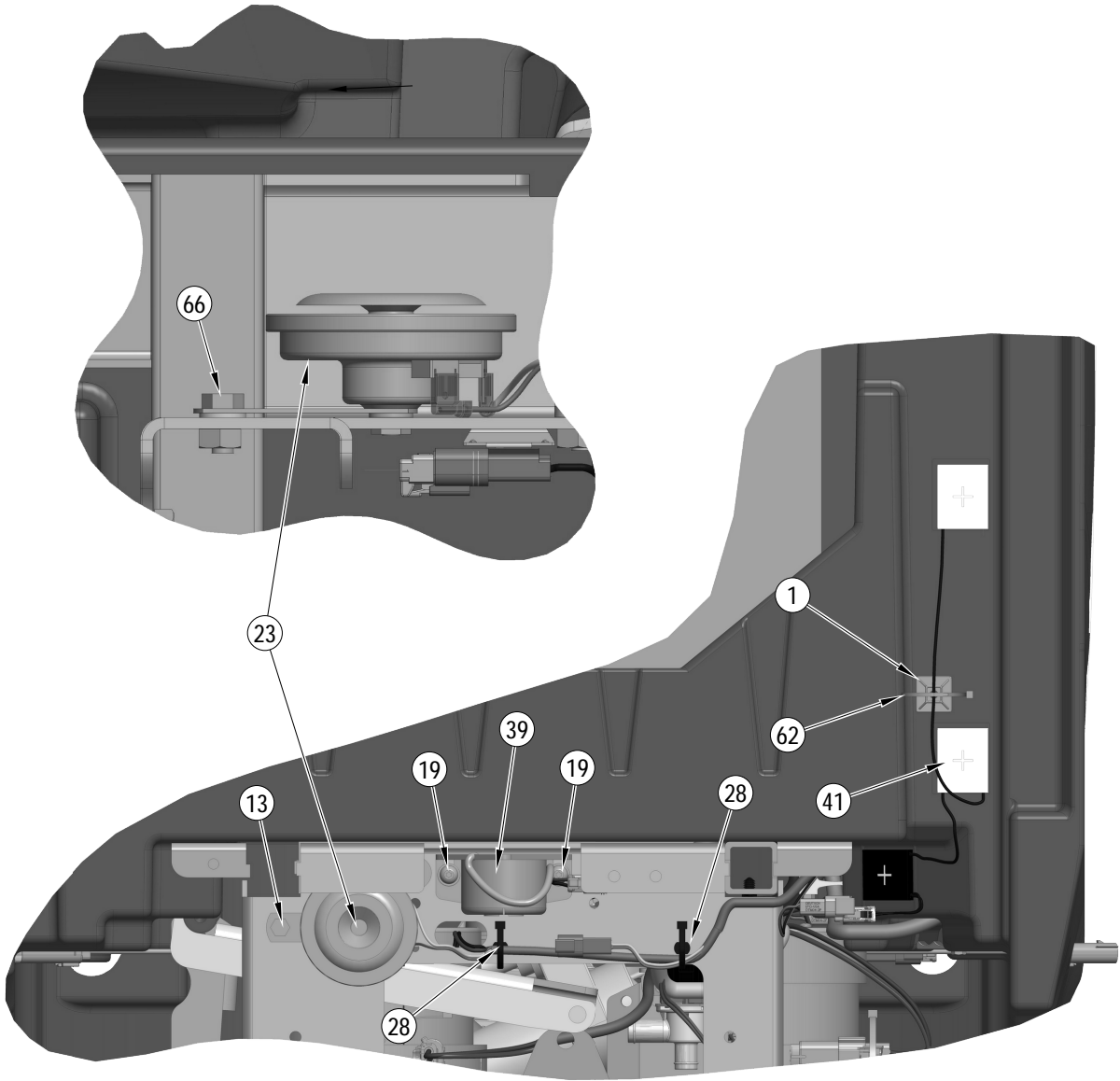
Pos.	Artikel-Nr.	Menge	Variante	Notes
1	1312	1	MOUNTING PAD	
2		4	Washer Plain M6x12.5x1.6 Ss Iso7093	[1]
3	33009876	1	SPIRAL SLEEVE D.21-25 -SKEIN	[2]
4	1467022000	2	SCREW M6X12 HEX HD DIN7500 2 PCS SET	
5	56001816	2	SCR M3.5X14 TRX PLASTITE	
6	56002561	1	NUT HEX W/SHRPF 1/4/20	
7		1	Scr Hex M6x12 Ss W/Thd Lck	[3]
8	56004084	4	SCR HEX M6X20 SS W/THD LCK	
9	56004087	1	SCR HEX M8X20 SS W/THD LCK	
10	56004100	9	SCR TRX M6X12 W/THD LCK BLK	
11	56004124	2	SCR HEX M6X30 SS W/THD LCK	
12	56004127	2	SCR TRX M5X16 W/THD LCK BLK	
13	56004128	2	SCR HEX M8X16 SS W/THD LCK	
14		1	Scr Hex M6x16 Ss W/Thd Lck	[3]
15	56004148	1	WSHR-28.6ODX22.2IDX1.5 BLK NYL	
16	56004152	5	SCR HEX M6X45 SS W/THD LCK	
17	56004157	2	SCR TRX M6X16 W/THD LCK BLK	
18	56004158	2		
19	56004160	2	SCR TRX M8X16 W/THD LCK BLK	
20	56111972	1	CLIP-CONNECTOR	
21	56115432	1	FUSE-150 AMP	
22	56115433	1	HOLDER-FUSE	
23	56116375	1	HORN-36V	
24	56116477	1	IBUTTON-PROBE	
25	56116518	1	SMART KEY-USER	
26		1	Bracket-Beacon	[3]
27	56116601	1	USB-2.0-TYPE A-PANEL MOUNT	
28	56116611	4	CABLE TIE MOUNT	
29	56117202-SP	1	MAIN HARNESS	
30	56117400-SP	1	HARNESS-MACHINE POWER	
31	56117401-SP	1	HARNESS-BATTERY POWER	
32	56117404-SP	1	CABLE - POWER-6 GA	
33	56117405-SP	1	CABLE-RETURN-6 GA	
34	56117406-SP	1	CABLE-POWER-6 GA	
35	56117407-SP	1	CABLE-RETURN-6 GA	
36	56117408-SP	1	HARENSS-RECOVERY TANK	
37	56117409-SP	1	CABLE-POWER-6 GA	
38	56117411-SP	1	HARNESS-TRACTION	
39	56117416-SP	1	ALARM-BACK-UP-11-100V	
40	56117417-SP	1	HARNESS-COLUMN	
41	56117427-SP	1	SENSOR-LEVEL-CAPACITIVE	
42		1	Bracket-Hazard Light	[3]
43		1	Electrical Panel Assembly	
43a	33005875	5	WASHER M6 UNI6592 SS	
43b	33023198	2	WASHER PLAIN M4 ISO7089 10 PCS SET	
43c	33017365	2	ISOLATOR M8	
43d	56004100	2	SCR TRX M6X12 W/THD LCK BLK	
43e	56004130	5	SCR TRX M5X12 SKT SS W/THD LCK	
43f	56009255	5	WSH INT SHPRF 5MM	
43g	56116087	1	MODULE-HIGH POWER	
43h	56116828	2	WASHER INT LOCK M6 DIN6798J SS	
43i		1	Pcb Box Assembly-Main	[4]
43j	56117413-SP	1	GASKET-ELECTRICAL PANEL	
43k	56117418-SP	1	CONTROLLER-DRIVE BRUSHLESS DC	
43l	56117448-SP	1	PANEL ASSEMBLY-ELECTRICAL	
43m	56117669-SP	1	PLATE-BUS BAR	
43n	56117831	1	BRACKET-FUSE HOLDER	
43o		1	Contacto-36v	[1]
43p	145 0452 000	2	NUT SELFLOCKING LOW M8 UNI7474 SS	



Pos.	Artikel-Nr.	Menge	Variante	Notes
43q	909 6600 000	2	Schraube M8X30 UNI5929 SS	
43r	40892A	1	Zweipoliges Umschalt-	
43s	L08241500	5	SCHEIBE 5,3 A 2	
43t	9100001351	2	WASHER M8 UNI6592 SS 10 PCS SET	
43u	L08603682	3	Stopmutter	
43v	L08603685	10	Stoppmutter M4 UNI7474	
43w	L08603688	2	Mutter, selbsts. M5	[5]
43x	L08812661	1	GASKET RUBBER -SKEIN	[2]
44	56123358-SP	1	PEDAL-UNI DIRECTION-HALL	
45	56117796-SP	1	BRACKET-TRACTION HARNESS	
46	56117845-SP	1	BEACON-WARNING LED	[3]
47	56117964-SP	1	BUSHING-FLANGE-20X21X3.5MM	
48	56116519	1	SMART KEY-SUPERVISOR	
49	56123173	1	CLIP-CONNECTION	
50	56314155	2	Kabelklemme	
51	56314608	5	CLAMP CABLE	
52	56315255	2	CIRCUIT BREAKER 5 AMP	
53		11	Clamp, Hose Support	[3]
54	56394585	1	CLAMP-P-1.57 DIA.	
55	56410223	1	Schelle	
56	56454429	1	CIRCUIT BREAKER 70A	
57	56459369	1	Abdeckung Rückstellknopf5015	
58	56496276	1	Klammer	
59	56601686	1	FERRITE BEAD	
60	302004029	2	SCREW 5X18	
61	1466344000	8	TIE CABLE 4.8X200 BLACK 10 PCS SET	
62	1467025000	12	TIE CABLE 2.9X130 BLACK 10 PCS SET	
63	9098906000	2		[3]
64	7-82-00050	1	Sitzschalter BR 1300 S	
65	L08066000	1	TIE CABLE QUICK FASTENING L.320	
66	9100001351	2	WASHER M8 UNI6592 SS 10 PCS SET	
67		1	Nut Lock Hex M6 Low Ss Iso10511	[1]
			Service Kits	
K1	56117465	1	CONTROLLER KIT	
K2	56117834	1	HAZARD LIGHT BRACKET KIT	
K3	56117835	1	36V CONTACTOR KIT	

## Part Notes:

- [1] - K3
- [2] - NOT FOR SALE VIA EDC
- [3] - K2
- [4] - K1
- [5] - NO LONGER AVAILABLE



Pos.	Artikel-Nr.	Menge	Variante	Notes
1	1312	1	MOUNTING PAD	
2		4	Washer Plain M6x12.5x1.6 Ss Iso7093	[1]
3	33009876	1	SPIRAL SLEEVE D.21-25 -SKEIN	[2]
4	1467022000	2	SCREW M6X12 HEX HD DIN7500 2 PCS SET	
5	56001816	2	SCR M3.5X14 TRX PLASTITE	
6	56002561	1	NUT HEX W/SHRPF 1/4/20	
7		1	Scr Hex M6x12 Ss W/Thd Lck	[3]
8	56004084	4	SCR HEX M6X20 SS W/THD LCK	
9	56004087	1	SCR HEX M8X20 SS W/THD LCK	
10	56004100	9	SCR TRX M6X12 W/THD LCK BLK	
11	56004124	2	SCR HEX M6X30 SS W/THD LCK	
12	56004127	2	SCR TRX M5X16 W/THD LCK BLK	
13	56004128	2	SCR HEX M8X16 SS W/THD LCK	
14		1	Scr Hex M6x16 Ss W/Thd Lck	[3]
15	56004148	1	WSHR-28.6ODX22.2IDX1.5 BLK NYL	
16	56004152	5	SCR HEX M6X45 SS W/THD LCK	
17	56004157	2	SCR TRX M6X16 W/THD LCK BLK	
18	56004158	2		
19	56004160	2	SCR TRX M8X16 W/THD LCK BLK	
20	56111972	1	CLIP-CONNECTOR	
21	56115432	1	FUSE-150 AMP	
22	56115433	1	HOLDER-FUSE	
23	56116375	1	HORN-36V	
24	56116477	1	IBUTTON-PROBE	
25	56116518	1	SMART KEY-USER	
26		1	Bracket-Beacon	[3]
27	56116601	1	USB-2.0-TYPE A-PANEL MOUNT	
28	56116611	4	CABLE TIE MOUNT	
29	56117202-SP	1	MAIN HARNESS	
30	56117400-SP	1	HARNESS-MACHINE POWER	
31	56117401-SP	1	HARNESS-BATTERY POWER	
32	56117404-SP	1	CABLE - POWER-6 GA	
33	56117405-SP	1	CABLE-RETURN-6 GA	
34	56117406-SP	1	CABLE-POWER-6 GA	
35	56117407-SP	1	CABLE-RETURN-6 GA	
36	56117408-SP	1	HARENSS-RECOVERY TANK	
37	56117409-SP	1	CABLE-POWER-6 GA	
38	56117411-SP	1	HARNESS-TRACTION	
39	56117416-SP	1	ALARM-BACK-UP-11-100V	
40	56117417-SP	1	HARNESS-COLUMN	
41	56117427-SP	1	SENSOR-LEVEL-CAPACITIVE	
42		1	Bracket-Hazard Light	[3]
43		1	Electrical Panel Assembly	
43a	33005875	5	WASHER M6 UNI6592 SS	
43b	33023198	2	WASHER PLAIN M4 ISO7089 10 PCS SET	
43c	33017365	2	ISOLATOR M8	
43d	56004100	2	SCR TRX M6X12 W/THD LCK BLK	
43e	56004130	5	SCR TRX M5X12 SKT SS W/THD LCK	
43f	56009255	5	WSH INT SHPRF 5MM	
43g	56116087	1	MODULE-HIGH POWER	
43h	56116828	2	WASHER INT LOCK M6 DIN6798J SS	
43i		1	Pcb Box Assembly-Main	[3]
43j	56117413-SP	1	GASKET-ELECTRICAL PANEL	
43k	56117418-SP	1	CONTROLLER-DRIVE BRUSHLESS DC	
43l	56117448-SP	1	PANEL ASSEMBLY-ELECTRICAL	
43m	56117669-SP	1	PLATE-BUS BAR	
43n	56117831	1	BRACKET-FUSE HOLDER	
43o		1	Contacto-36v	[3]
43p	145 0452 000	2	NUT SELFLOCKING LOW M8 UNI7474 SS	

Pos.	Artikel-Nr.	Menge	Variante	Notes
43q	909 6600 000	2	Schraube M8X30 UNI5929 SS	
43r	40892A	1	Zweipoliges Umschalt-	
43s	L08241500	5	SCHEIBE 5,3 A 2	
43t	9100001351	2	WASHER M8 UNI6592 SS 10 PCS SET	
43u	L08603682	3	Stopmutter	
43v	L08603685	10	Stoppmutter M4 UNI7474	
43w	L08603688	2	Mutter, selbsts. M5	[4]
43x	L08812661	1	GASKET RUBBER -SKEIN	[2]
44	56123358-SP	1	PEDAL-UNI DIRECTION-HALL	
45	56117796-SP	1	BRACKET-TRACTION HARNESS	
46	56117845-SP	1	BEACON-WARNING LED	[3]
47	56117964-SP	1	BUSHING-FLANGE-20X21X3.5MM	
48	56116519	1	SMART KEY-SUPERVISOR	
49	56123173	1	CLIP-CONNECTION	
50	56314155	2	Kabelklemme	
51	56314608	5	CLAMP CABLE	
52	56315255	2	CIRCUIT BREAKER 5 AMP	
53		11	Clamp, Hose Support	[3]
54	56394585	1	CLAMP-P-1.57 DIA.	
55	56410223	1	Schelle	
56	56454429	1	CIRCUIT BREAKER 70A	
57	56459369	1	Abdeckung Rückstellknopf5015	
58	56496276	1	Klammer	
59	56601686	1	FERRITE BEAD	
60	302004029	2	SCREW 5X18	
61	1466344000	8	TIE CABLE 4.8X200 BLACK 10 PCS SET	
62	1467025000	12	TIE CABLE 2.9X130 BLACK 10 PCS SET	
63	9098906000	2		[3]
64	7-82-00050	1	Sitzschalter BR 1300 S	
65	L08066000	1	TIE CABLE QUICK FASTENING L.320	
66	9100001351	2	WASHER M8 UNI6592 SS 10 PCS SET	
67		1	Nut Lock Hex M6 Low Ss Iso10511	[3]
			Service Kits	
K1	56117465	1	CONTROLER KIT	
K2	56117834	1	HAZARD LIGHT BRACKET KIT	
K3	56117835	1	36V CONTACTOR KIT	
	56124003	1		

## Part Notes:

- [1] - K3
- [2] - NOT FOR SALE VIA EDC
- [3] - K2
- [4] - NO LONGER AVAILABLE



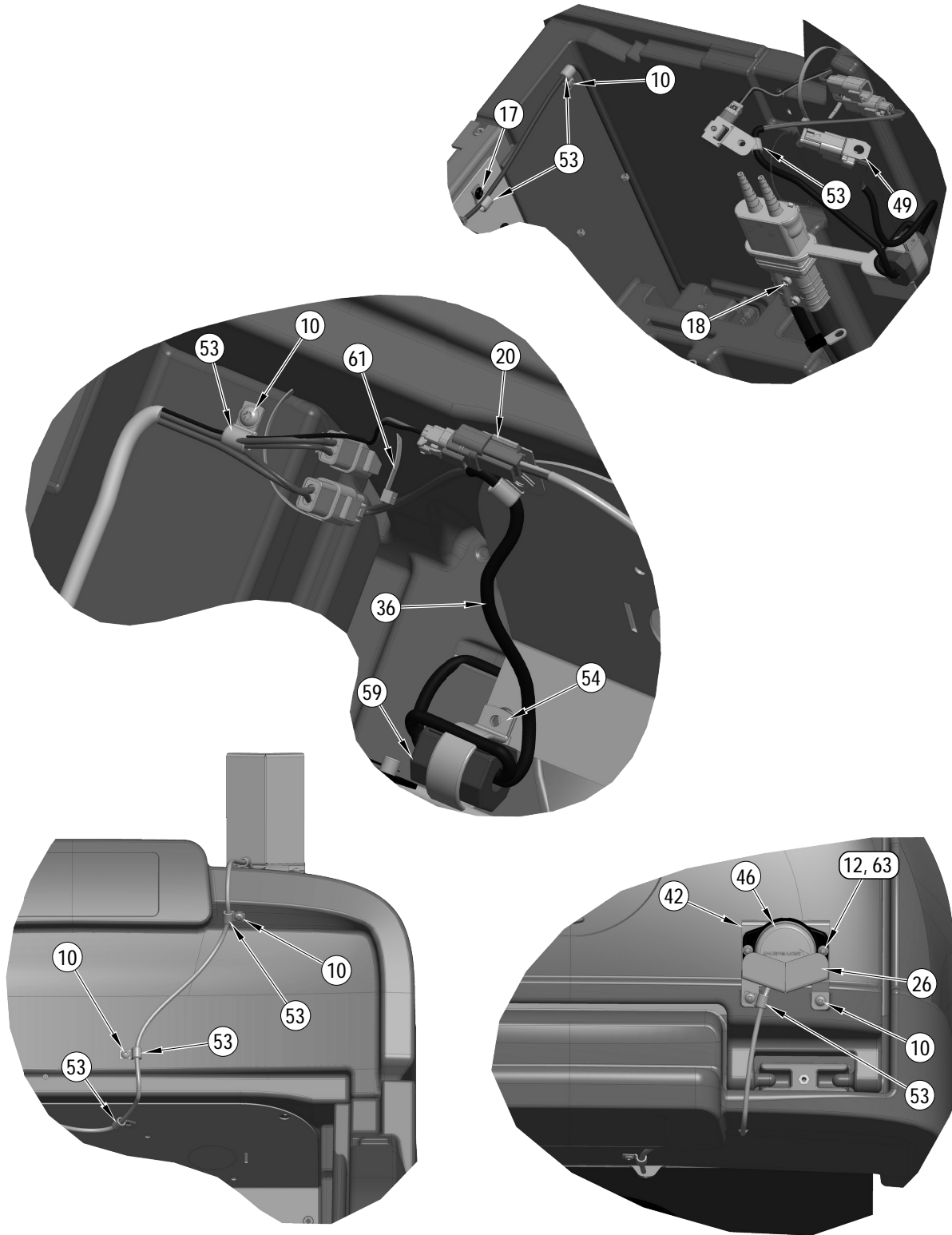
Pos.	Artikel-Nr.	Menge	Variante	Notes
1	1312	1	MOUNTING PAD	
2	33005875	4	WASHER M6 UNI6592 SS	[1]
3	33009876	1	SPIRAL SLEEVE D.21-25 -SKEIN	[2]
4	1467022000	2	SCREW M6X12 HEX HD DIN7500 2 PCS SET	
5	56001816	2	SCR M3.5X14 TRX PLASTITE	
6	56002561	1	NUT HEX W/SHRPF 1/4/20	
7		1	Scr Hex M6x12 Ss W/Thd Lck	[3]
8	56004084	4	SCR HEX M6X20 SS W/THD LCK	
9	56004087	1	SCR HEX M8X20 SS W/THD LCK	
10	56004100	9	SCR TRX M6X12 W/THD LCK BLK	
11	56004124	2	SCR HEX M6X30 SS W/THD LCK	
12	56004127	2	SCR TRX M5X16 W/THD LCK BLK	
13	56004128	2	SCR HEX M8X16 SS W/THD LCK	
14		1	Scr Hex M6x16 Ss W/Thd Lck	[3]
15	56004148	1	WSHR-28.6ODX22.2IDX1.5 BLK NYL	
16	56004152	5	SCR HEX M6X45 SS W/THD LCK	
17	56004157	2	SCR TRX M6X16 W/THD LCK BLK	
18	56004158	2		
19	56004160	2	SCR TRX M8X16 W/THD LCK BLK	
20	56111972	1	CLIP-CONNECTOR	
21	56115432	1	FUSE-150 AMP	
22	56115433	1	HOLDER-FUSE	
23	56116375	1	HORN-36V	
24	56116477	1	IBUTTON-PROBE	
25	56116518	1	SMART KEY-USER	
26	56116595	1	BRACKET-BEACON	[3]
27	56116601	1	USB-2.0-TYPE A-PANEL MOUNT	
28	56116611	4	CABLE TIE MOUNT	
29	56117202-SP	1	MAIN HARNESS	
30	56117400-SP	1	HARNESS-MACHINE POWER	
31	56117401-SP	1	HARNESS-BATTERY POWER	
32	56117404-SP	1	CABLE - POWER-6 GA	
33	56117405-SP	1	CABLE-RETURN-6 GA	
34	56117406-SP	1	CABLE-POWER-6 GA	
35	56117407-SP	1	CABLE-RETURN-6 GA	
36	56117408-SP	1	HARENSS-RECOVERY TANK	
37	56117409-SP	1	CABLE-POWER-6 GA	
38	56117411-SP	1	HARNESS-TRACTION	
39	56117416-SP	1	ALARM-BACK-UP-11-100V	
40	56117417-SP	1	HARNESS-COLUMN	
41	56117427-SP	1	SENSOR-LEVEL-CAPACITIVE	
42		1	Bracket-Hazard Light	[3]
43		1	Electrical Panel Assembly	
43a	33005875	5	WASHER M6 UNI6592 SS	
43b	33023198	2	WASHER PLAIN M4 ISO7089 10 PCS SET	
43c	33017365	2	ISOLATOR M8	
43d	56004100	2	SCR TRX M6X12 W/THD LCK BLK	
43e	56004130	5	SCR TRX M5X12 SKT SS W/THD LCK	
43f	56009255	5	WSH INT SHPRF 5MM	
43g	56116087	1	MODULE-HIGH POWER	
43h	56116828	2	WASHER INT LOCK M6 DIN6798J SS	
43i		1	Pcb Box Assembly-Main	[4]
43j	56117413-SP	1	GASKET-ELECTRICAL PANEL	
43k	56117418-SP	1	CONTROLLER-DRIVE BRUSHLESS DC	
43l	56117448-SP	1	PANEL ASSEMBLY-ELECTRICAL	
43m	56117669-SP	1	PLATE-BUS BAR	
43n	56117831	1	BRACKET-FUSE HOLDER	
43o		1	Contacto-36v	[1]
43p	145 0452 000	2	NUT SELFLOCKING LOW M8 UNI7474 SS	

Pos.	Artikel-Nr.	Menge	Variante	Notes
43q	909 6600 000	2	Schraube M8X30 UNI5929 SS	
43r	40892A	1	Zweipoliges Umschalt-	
43s	L08241500	5	SCHEIBE 5,3 A 2	
43t	9100001351	2	WASHER M8 UNI6592 SS 10 PCS SET	
43u	L08603682	3	Stopmutter	
43v	L08603685	10	Stoppmutter M4 UNI7474	
43w	L08603688	2	Mutter, selbsts. M5	[5]
43x	L08812661	1	GASKET RUBBER -SKEIN	[2]
44	56123358-SP	1	PEDAL-UNI DIRECTION-HALL	
45	56117796-SP	1	BRACKET-TRACTION HARNESS	
46	56117845-SP	1	BEACON-WARNING LED	[3]
47	56117964-SP	1	BUSHING-FLANGE-20X21X3.5MM	
48	56116519	1	SMART KEY-SUPERVISOR	
49	56123173	1	CLIP-CONNECTION	
50	56314155	2	Kabelklemme	
51	56314608	5	CLAMP CABLE	
52	56315255	2	CIRCUIT BREAKER 5 AMP	
53	56323260	11	Kabelbriede zu BR 1000	[3]
54	56394585	1	CLAMP-P-1.57 DIA.	
55	56410223	1	Schelle	
56	56454429	1	CIRCUIT BREAKER 70A	
57	56459369	1	Abdeckung Rückstellknopf5015	
58	56496276	1	Klammer	
59	56601686	1	FERRITE BEAD	
60	302004029	2	SCREW 5X18	
61	1466344000	8	TIE CABLE 4.8X200 BLACK 10 PCS SET	
62	1467025000	12	TIE CABLE 2.9X130 BLACK 10 PCS SET	
63	9098906000	2		[3]
64	7-82-00050	1	Sitzschalter BR 1300 S	
65	L08066000	1	TIE CABLE QUICK FASTENING L.320	
66	9100001351	2	WASHER M8 UNI6592 SS 10 PCS SET	
67	L08603682	1	Stopmutter	[1]
			Service Kits	
K1	56117465	1	CONTROLLER KIT	
K2	56117834	1	HAZARD LIGHT BRACKET KIT	
K3	56117835	1	36V CONTACTOR KIT	
	56124003	1		

## Part Notes:

- [1] - K3
- [2] - NOT FOR SALE VIA EDC
- [3] - K2
- [4] - K1
- [5] - NO LONGER AVAILABLE



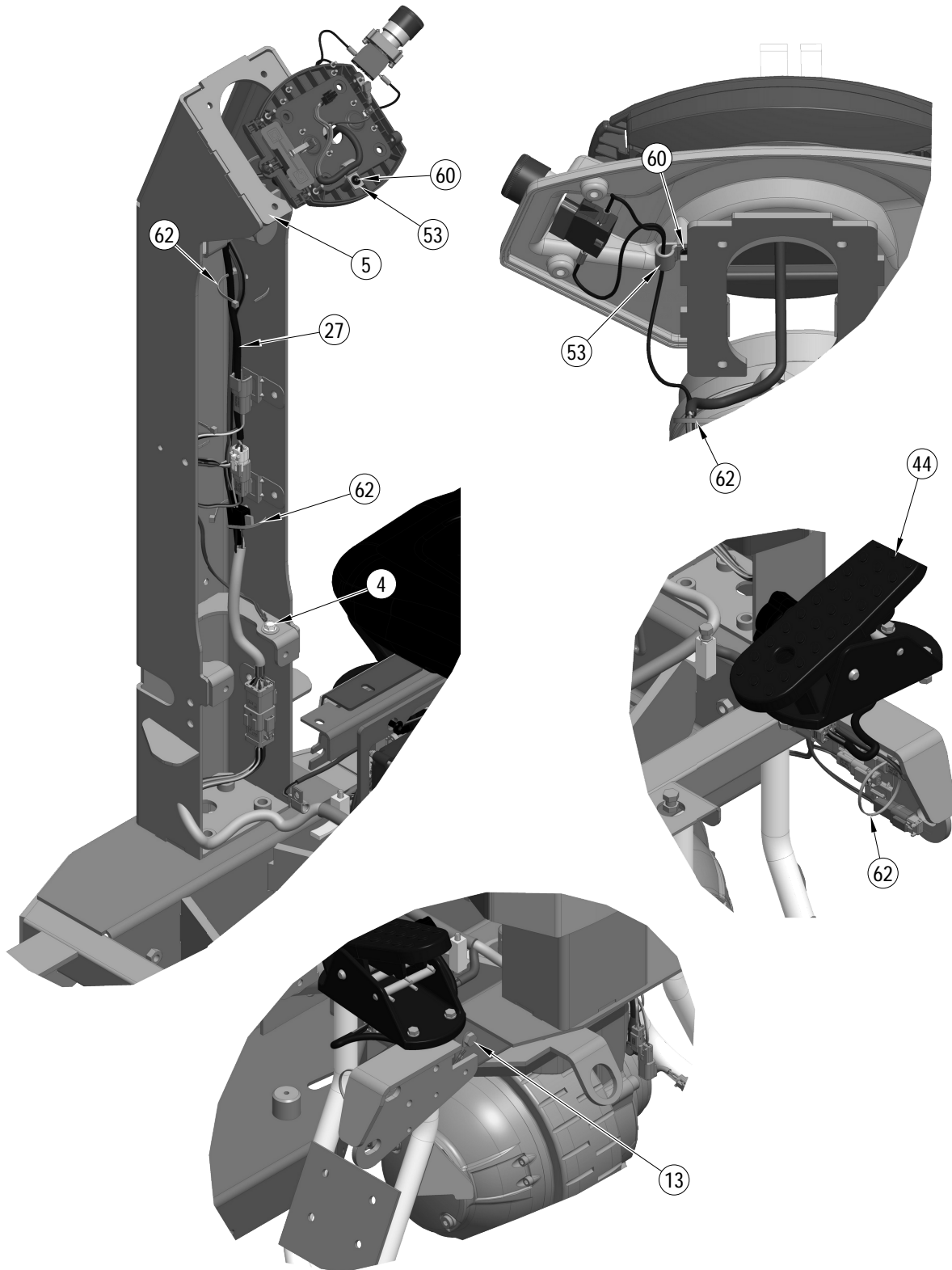


Pos.	Artikel-Nr.	Menge	Variante	Notes
1	1312	1	MOUNTING PAD	
2	33005875	4	WASHER M6 UNI6592 SS	[1]
3	33009876	1	SPIRAL SLEEVE D.21-25 -SKEIN	[2]
4	1467022000	2	SCREW M6X12 HEX HD DIN7500 2 PCS SET	
5	56001816	2	SCR M3.5X14 TRX PLASTITE	
6	56002561	1	NUT HEX W/SHRPF 1/4/20	
7		1	Scr Hex M6x12 Ss W/Thd Lck	[3]
8	56004084	4	SCR HEX M6X20 SS W/THD LCK	
9	56004087	1	SCR HEX M8X20 SS W/THD LCK	
10	56004100	9	SCR TRX M6X12 W/THD LCK BLK	
11	56004124	2	SCR HEX M6X30 SS W/THD LCK	
12	56004127	2	SCR TRX M5X16 W/THD LCK BLK	
13	56004128	2	SCR HEX M8X16 SS W/THD LCK	
14		1	Scr Hex M6x16 Ss W/Thd Lck	[3]
15	56004148	1	WSHR-28.6ODX22.2IDX1.5 BLK NYL	
16	56004152	5	SCR HEX M6X45 SS W/THD LCK	
17	56004157	2	SCR TRX M6X16 W/THD LCK BLK	
18	56004158	2		
19	56004160	2	SCR TRX M8X16 W/THD LCK BLK	
20	56111972	1	CLIP-CONNECTOR	
21	56115432	1	FUSE-150 AMP	
22	56115433	1	HOLDER-FUSE	
23	56116375	1	HORN-36V	
24	56116477	1	IBUTTON-PROBE	
25	56116518	1	SMART KEY-USER	
26	56116595	1	BRACKET-BEACON	[3]
27	56116601	1	USB-2.0-TYPE A-PANEL MOUNT	
28	56116611	4	CABLE TIE MOUNT	
29	56117202-SP	1	MAIN HARNESS	
30	56117400-SP	1	HARNESS-MACHINE POWER	
31	56117401-SP	1	HARNESS-BATTERY POWER	
32	56117404-SP	1	CABLE - POWER-6 GA	
33	56117405-SP	1	CABLE-RETURN-6 GA	
34	56117406-SP	1	CABLE-POWER-6 GA	
35	56117407-SP	1	CABLE-RETURN-6 GA	
36	56117408-SP	1	HARENSS-RECOVERY TANK	
37	56117409-SP	1	CABLE-POWER-6 GA	
38	56117411-SP	1	HARNESS-TRACTION	
39	56117416-SP	1	ALARM-BACK-UP-11-100V	
40	56117417-SP	1	HARNESS-COLUMN	
41	56117427-SP	1	SENSOR-LEVEL-CAPACITIVE	
42		1	Bracket-Hazard Light	[3]
43		1	Electrical Panel Assembly	
43a	33005875	5	WASHER M6 UNI6592 SS	
43b	33023198	2	WASHER PLAIN M4 ISO7089 10 PCS SET	
43c	33017365	2	ISOLATOR M8	
43d	56004100	2	SCR TRX M6X12 W/THD LCK BLK	
43e	56004130	5	SCR TRX M5X12 SKT SS W/THD LCK	
43f	56009255	5	WSH INT SHPRF 5MM	
43g	56116087	1	MODULE-HIGH POWER	
43h	56116828	2	WASHER INT LOCK M6 DIN6798J SS	
43i		1	Pcb Box Assembly-Main	[4]
43j	56117413-SP	1	GASKET-ELECTRICAL PANEL	
43k	56117418-SP	1	CONTROLLER-DRIVE BRUSHLESS DC	
43l	56117448-SP	1	PANEL ASSEMBLY-ELECTRICAL	
43m	56117669-SP	1	PLATE-BUS BAR	
43n	56117831	1	BRACKET-FUSE HOLDER	
43o		1	Contacto-36v	[1]
43p	145 0452 000	2	NUT SELFLOCKING LOW M8 UNI7474 SS	

Pos.	Artikel-Nr.	Menge	Variante	Notes
43q	909 6600 000	2	Schraube M8X30 UNI5929 SS	
43r	40892A	1	Zweipoliges Umschalt-	
43s	L08241500	5	SCHEIBE 5,3 A 2	
43t	9100001351	2	WASHER M8 UNI6592 SS 10 PCS SET	
43u	L08603682	3	Stopmutter	
43v	L08603685	10	Stoppmutter M4 UNI7474	
43w	L08603688	2	Mutter, selbsts. M5	[5]
43x	L08812661	1	GASKET RUBBER -SKEIN	[2]
44	56123358-SP	1	PEDAL-UNI DIRECTION-HALL	
45	56117796-SP	1	BRACKET-TRACTION HARNESS	
46	56117845-SP	1	BEACON-WARNING LED	[3]
47	56117964-SP	1	BUSHING-FLANGE-20X21X3.5MM	
48	56116519	1	SMART KEY-SUPERVISOR	
49	56123173	1	CLIP-CONNECTION	
50	56314155	2	Kabelklemme	
51	56314608	5	CLAMP CABLE	
52	56315255	2	CIRCUIT BREAKER 5 AMP	
53	56323260	11	Kabelbriede zu BR 1000	[3]
54	56394585	1	CLAMP-P-1.57 DIA.	
55	56410223	1	Schelle	
56	56454429	1	CIRCUIT BREAKER 70A	
57	56459369	1	Abdeckung Rückstellknopf5015	
58	56496276	1	Klammer	
59	56601686	1	FERRITE BEAD	
60	302004029	2	SCREW 5X18	
61	1466344000	8	TIE CABLE 4.8X200 BLACK 10 PCS SET	
62	1467025000	12	TIE CABLE 2.9X130 BLACK 10 PCS SET	
63	9098906000	2		[3]
64	7-82-00050	1	Sitzschalter BR 1300 S	
65	L08066000	1	TIE CABLE QUICK FASTENING L.320	
66	9100001351	2	WASHER M8 UNI6592 SS 10 PCS SET	
67	L08603682	1	Stopmutter	[1]
			Service Kits	
K1	56117465	1	CONTROLLER KIT	
K2	56117834	1	HAZARD LIGHT BRACKET KIT	
K3	56117835	1	36V CONTACTOR KIT	
	56124003	1		

## Part Notes:

- [1] - K3  
 [2] - NOT FOR SALE VIA EDC  
 [3] - K2  
 [4] - K1  
 [5] - NO LONGER AVAILABLE

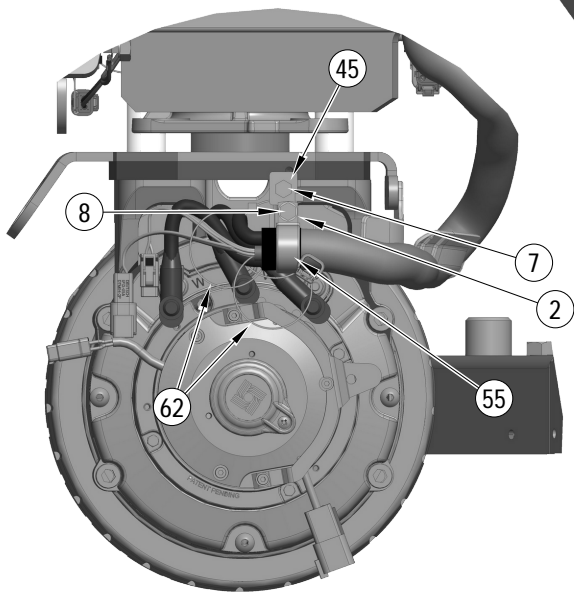
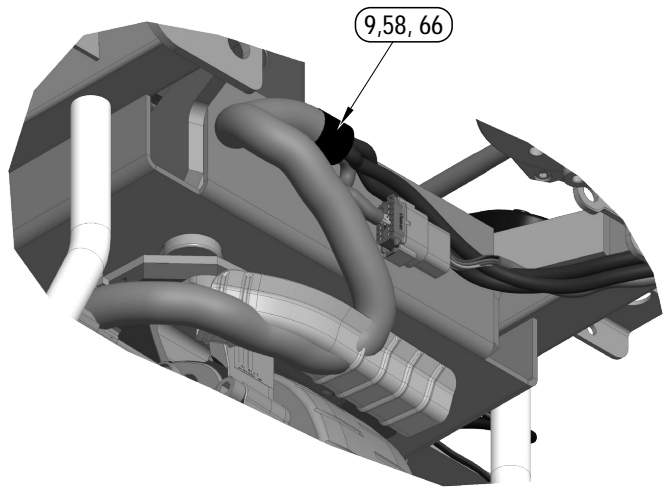
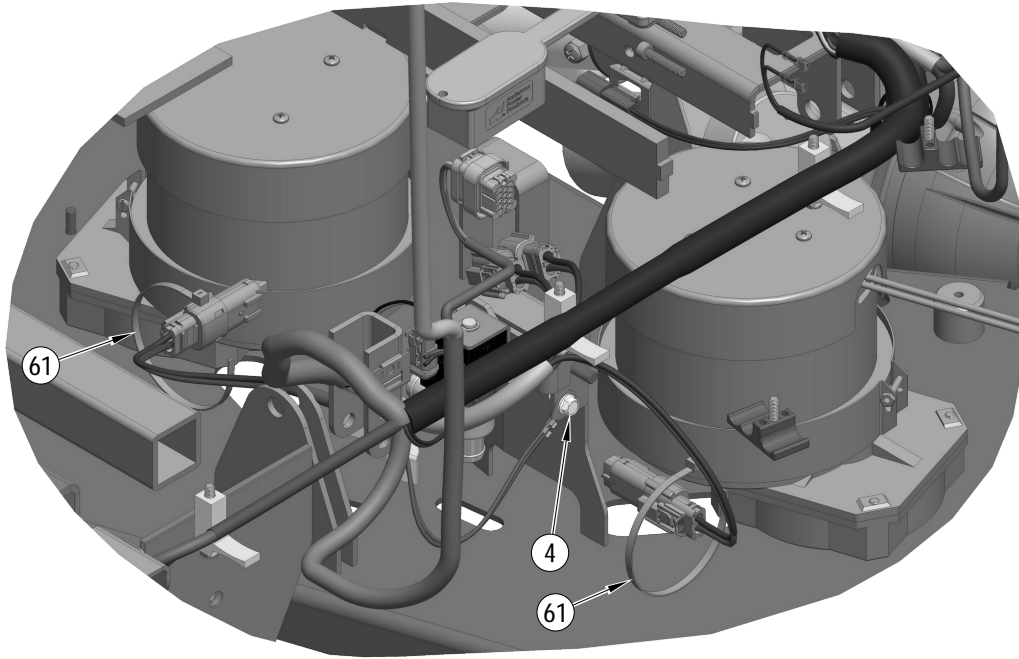


Pos.	Artikel-Nr.	Menge	Variante	Notes
1	1312	1	MOUNTING PAD	
2	33005875	4	WASHER M6 UNI6592 SS	[1]
3	33009876	1	SPIRAL SLEEVE D.21-25 -SKEIN	[2]
4	1467022000	2	SCREW M6X12 HEX HD DIN7500 2 PCS SET	
5	56001816	2	SCR M3.5X14 TRX PLASTITE	
6	56002561	1	NUT HEX W/SHRPF 1/4/20	
7		1	Scr Hex M6x12 Ss W/Thd Lck	[3]
8	56004084	4	SCR HEX M6X20 SS W/THD LCK	
9	56004087	1	SCR HEX M8X20 SS W/THD LCK	
10	56004100	9	SCR TRX M6X12 W/THD LCK BLK	
11	56004124	2	SCR HEX M6X30 SS W/THD LCK	
12	56004127	2	SCR TRX M5X16 W/THD LCK BLK	
13	56004128	2	SCR HEX M8X16 SS W/THD LCK	
14		1	Scr Hex M6x16 Ss W/Thd Lck	[3]
15	56004148	1	WSHR-28.6ODX22.2IDX1.5 BLK NYL	
16	56004152	5	SCR HEX M6X45 SS W/THD LCK	
17	56004157	2	SCR TRX M6X16 W/THD LCK BLK	
18	56004158	2		
19	56004160	2	SCR TRX M8X16 W/THD LCK BLK	
20	56111972	1	CLIP-CONNECTOR	
21	56115432	1	FUSE-150 AMP	
22	56115433	1	HOLDER-FUSE	
23	56116375	1	HORN-36V	
24	56116477	1	IBUTTON-PROBE	
25	56116518	1	SMART KEY-USER	
26	56116595	1	BRACKET-BEACON	[3]
27	56116601	1	USB-2.0-TYPE A-PANEL MOUNT	
28	56116611	4	CABLE TIE MOUNT	
29	56117202-SP	1	MAIN HARNESS	
30	56117400-SP	1	HARNESS-MACHINE POWER	
31	56117401-SP	1	HARNESS-BATTERY POWER	
32	56117404-SP	1	CABLE - POWER-6 GA	
33	56117405-SP	1	CABLE-RETURN-6 GA	
34	56117406-SP	1	CABLE-POWER-6 GA	
35	56117407-SP	1	CABLE-RETURN-6 GA	
36	56117408-SP	1	HARENSS-RECOVERY TANK	
37	56117409-SP	1	CABLE-POWER-6 GA	
38	56117411-SP	1	HARNESS-TRACTION	
39	56117416-SP	1	ALARM-BACK-UP-11-100V	
40	56117417-SP	1	HARNESS-COLUMN	
41	56117427-SP	1	SENSOR-LEVEL-CAPACITIVE	
42		1	Bracket-Hazard Light	[3]
43		1	Electrical Panel Assembly	
43a	33005875	5	WASHER M6 UNI6592 SS	
43b	33023198	2	WASHER PLAIN M4 ISO7089 10 PCS SET	
43c	33017365	2	ISOLATOR M8	
43d	56004100	2	SCR TRX M6X12 W/THD LCK BLK	
43e	56004130	5	SCR TRX M5X12 SKT SS W/THD LCK	
43f	56009255	5	WSH INT SHPRF 5MM	
43g	56116087	1	MODULE-HIGH POWER	
43h	56116828	2	WASHER INT LOCK M6 DIN6798J SS	
43i		1	Pcb Box Assembly-Main	[4]
43j	56117413-SP	1	GASKET-ELECTRICAL PANEL	
43k	56117418-SP	1	CONTROLLER-DRIVE BRUSHLESS DC	
43l	56117448-SP	1	PANEL ASSEMBLY-ELECTRICAL	
43m	56117669-SP	1	PLATE-BUS BAR	
43n	56117831	1	BRACKET-FUSE HOLDER	
43o		1	Contacto-36v	[1]
43p	145 0452 000	2	NUT SELFLOCKING LOW M8 UNI7474 SS	

Pos.	Artikel-Nr.	Menge	Variante	Notes
43q	909 6600 000	2	Schraube M8X30 UNI5929 SS	
43r	40892A	1	Zweipoliges Umschalt-	
43s	L08241500	5	SCHEIBE 5,3 A 2	
43t	9100001351	2	WASHER M8 UNI6592 SS 10 PCS SET	
43u	L08603682	3	Stopmutter	
43v	L08603685	10	Stoppmutter M4 UNI7474	
43w	L08603688	2	Mutter, selbsts. M5	[5]
43x	L08812661	1	GASKET RUBBER -SKEIN	[2]
44	56123358-SP	1	PEDAL-UNI DIRECTION-HALL	
45	56117796-SP	1	BRACKET-TRACTION HARNESS	
46	56117845-SP	1	BEACON-WARNING LED	[3]
47	56117964-SP	1	BUSHING-FLANGE-20X21X3.5MM	
48	56116519	1	SMART KEY-SUPERVISOR	
49	56123173	1	CLIP-CONNECTION	
50	56314155	2	Kabelklemme	
51	56314608	5	CLAMP CABLE	
52	56315255	2	CIRCUIT BREAKER 5 AMP	
53	56323260	11	Kabelbriede zu BR 1000	[3]
54	56394585	1	CLAMP-P-1.57 DIA.	
55	56410223	1	Schelle	
56	56454429	1	CIRCUIT BREAKER 70A	
57	56459369	1	Abdeckung Rückstellknopf5015	
58	56496276	1	Klammer	
59	56601686	1	FERRITE BEAD	
60	302004029	2	SCREW 5X18	
61	1466344000	8	TIE CABLE 4.8X200 BLACK 10 PCS SET	
62	1467025000	12	TIE CABLE 2.9X130 BLACK 10 PCS SET	
63	9098906000	2		[3]
64	7-82-00050	1	Sitzschalter BR 1300 S	
65	L08066000	1	TIE CABLE QUICK FASTENING L.320	
66	9100001351	2	WASHER M8 UNI6592 SS 10 PCS SET	
67	L08603682	1	Stopmutter	[1]
			Service Kits	
K1	56117465	1	CONTROLLER KIT	
K2	56117834	1	HAZARD LIGHT BRACKET KIT	
K3	56117835	1	36V CONTACTOR KIT	
	56124003	1		

## Part Notes:

- [1] - K3
- [2] - NOT FOR SALE VIA EDC
- [3] - K2
- [4] - K1
- [5] - NO LONGER AVAILABLE



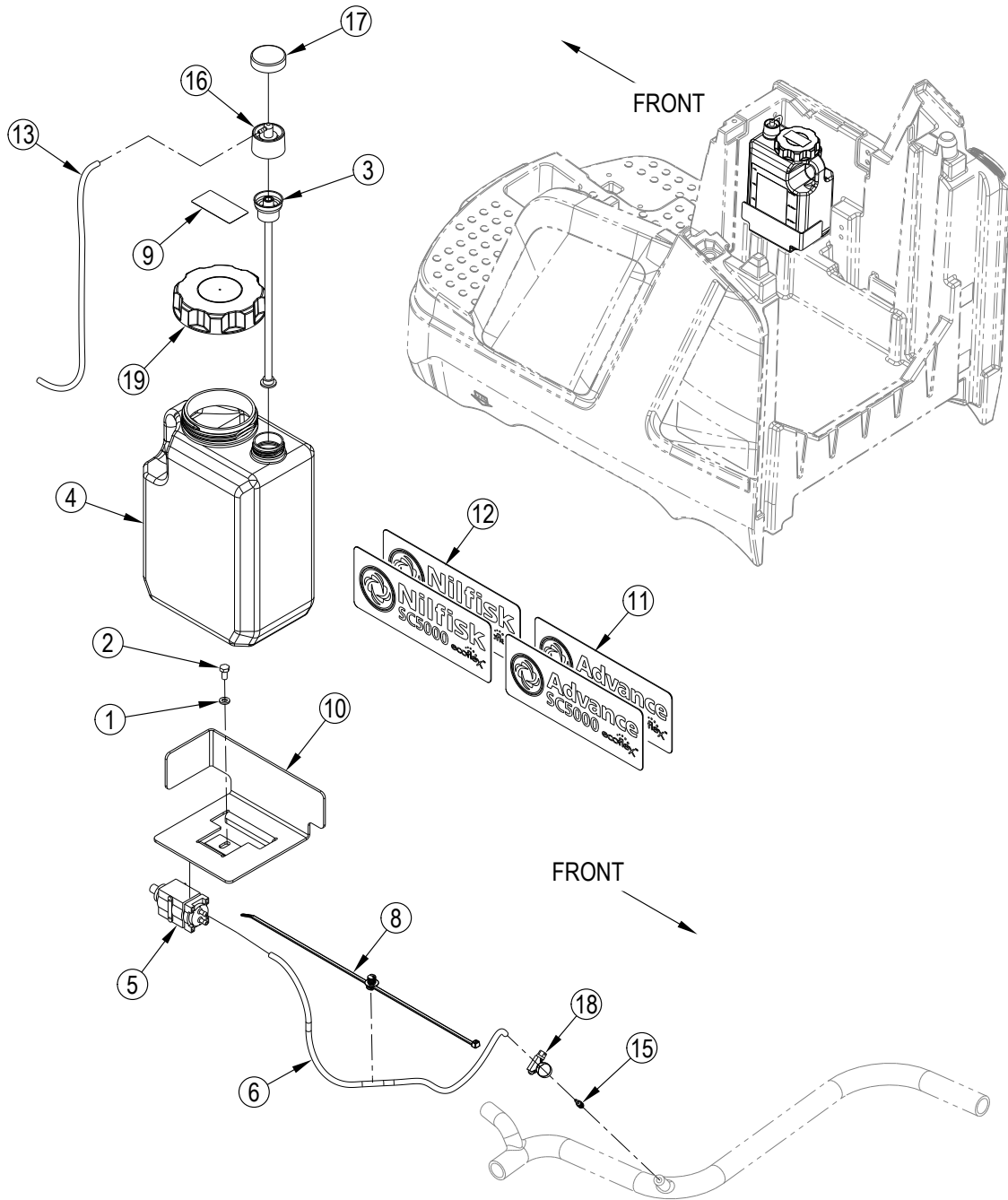


Pos.	Artikel-Nr.	Menge	Variante	Notes
1	1312	1	MOUNTING PAD	
2	33005875	4	WASHER M6 UNI6592 SS	[1]
3	33009876	1	SPIRAL SLEEVE D.21-25 -SKEIN	[2]
4	1467022000	2	SCREW M6X12 HEX HD DIN7500 2 PCS SET	
5	56001816	2	SCR M3.5X14 TRX PLASTITE	
6	56002561	1	NUT HEX W/SHRPF 1/4/20	
7		1	Scr Hex M6x12 Ss W/Thd Lck	[3]
8	56004084	4	SCR HEX M6X20 SS W/THD LCK	
9	56004087	1	SCR HEX M8X20 SS W/THD LCK	
10	56004100	9	SCR TRX M6X12 W/THD LCK BLK	
11	56004124	2	SCR HEX M6X30 SS W/THD LCK	
12	56004127	2	SCR TRX M5X16 W/THD LCK BLK	
13	56004128	2	SCR HEX M8X16 SS W/THD LCK	
14		1	Scr Hex M6x16 Ss W/Thd Lck	[3]
15	56004148	1	WSHR-28.6ODX22.2IDX1.5 BLK NYL	
16	56004152	5	SCR HEX M6X45 SS W/THD LCK	
17	56004157	2	SCR TRX M6X16 W/THD LCK BLK	
18	56004158	2		
19	56004160	2	SCR TRX M8X16 W/THD LCK BLK	
20	56111972	1	CLIP-CONNECTOR	
21	56115432	1	FUSE-150 AMP	
22	56115433	1	HOLDER-FUSE	
23	56116375	1	HORN-36V	
24	56116477	1	IBUTTON-PROBE	
25	56116518	1	SMART KEY-USER	
26	56116595	1	BRACKET-BEACON	[3]
27	56116601	1	USB-2.0-TYPE A-PANEL MOUNT	
28	56116611	4	CABLE TIE MOUNT	
29	56117202-SP	1	MAIN HARNESS	
30	56117400-SP	1	HARNESS-MACHINE POWER	
31	56117401-SP	1	HARNESS-BATTERY POWER	
32	56117404-SP	1	CABLE - POWER-6 GA	
33	56117405-SP	1	CABLE-RETURN-6 GA	
34	56117406-SP	1	CABLE-POWER-6 GA	
35	56117407-SP	1	CABLE-RETURN-6 GA	
36	56117408-SP	1	HARENSS-RECOVERY TANK	
37	56117409-SP	1	CABLE-POWER-6 GA	
38	56117411-SP	1	HARNESS-TRACTION	
39	56117416-SP	1	ALARM-BACK-UP-11-100V	
40	56117417-SP	1	HARNESS-COLUMN	
41	56117427-SP	1	SENSOR-LEVEL-CAPACITIVE	
42		1	Bracket-Hazard Light	[3]
43		1	Electrical Panel Assembly	
43a	33005875	5	WASHER M6 UNI6592 SS	
43b	33023198	2	WASHER PLAIN M4 ISO7089 10 PCS SET	
43c	33017365	2	ISOLATOR M8	
43d	56004100	2	SCR TRX M6X12 W/THD LCK BLK	
43e	56004130	5	SCR TRX M5X12 SKT SS W/THD LCK	
43f	56009255	5	WSH INT SHPRF 5MM	
43g	56116087	1	MODULE-HIGH POWER	
43h	56116828	2	WASHER INT LOCK M6 DIN6798J SS	
43i		1	Pcb Box Assembly-Main	[4]
43j	56117413-SP	1	GASKET-ELECTRICAL PANEL	
43k	56117418-SP	1	CONTROLLER-DRIVE BRUSHLESS DC	
43l	56117448-SP	1	PANEL ASSEMBLY-ELECTRICAL	
43m	56117669-SP	1	PLATE-BUS BAR	
43n	56117831	1	BRACKET-FUSE HOLDER	
43o		1	Contacto-36v	[1]
43p	145 0452 000	2	NUT SELFLOCKING LOW M8 UNI7474 SS	

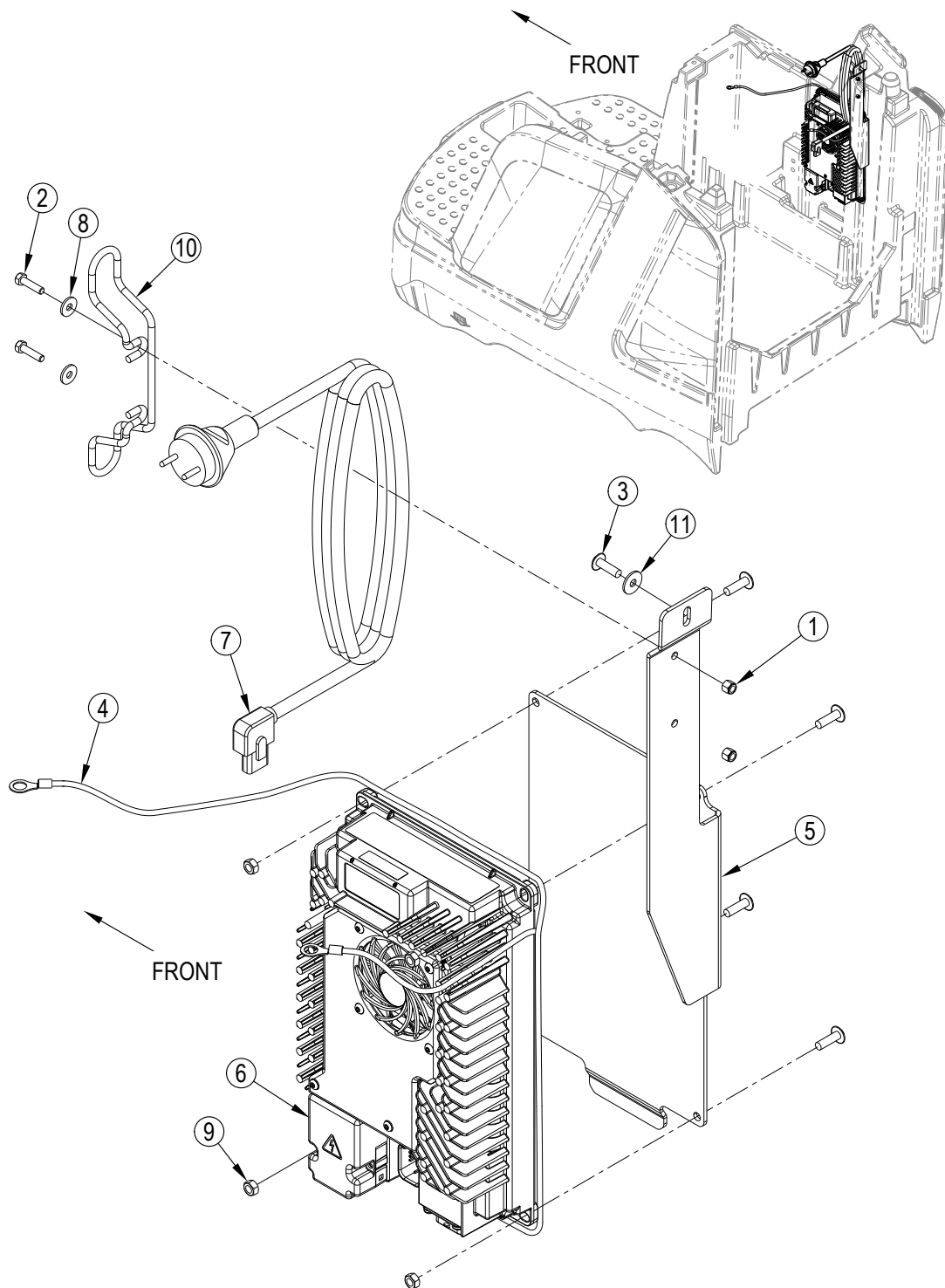
Pos.	Artikel-Nr.	Menge	Variante	Notes
43q	909 6600 000	2	Schraube M8X30 UNI5929 SS	
43r	40892A	1	Zweipoliges Umschalt-	
43s	L08241500	5	SCHEIBE 5,3 A 2	
43t	9100001351	2	WASHER M8 UNI6592 SS 10 PCS SET	
43u	L08603682	3	Stopmutter	
43v	L08603685	10	Stoppmutter M4 UNI7474	
43w	L08603688	2	Mutter, selbsts. M5	[5]
43x	L08812661	1	GASKET RUBBER -SKEIN	[2]
44	56123358-SP	1	PEDAL-UNI DIRECTION-HALL	
45	56117796-SP	1	BRACKET-TRACTION HARNESS	
46	56117845-SP	1	BEACON-WARNING LED	[3]
47	56117964-SP	1	BUSHING-FLANGE-20X21X3.5MM	
48	56116519	1	SMART KEY-SUPERVISOR	
49	56123173	1	CLIP-CONNECTION	
50	56314155	2	Kabelklemme	
51	56314608	5	CLAMP CABLE	
52	56315255	2	CIRCUIT BREAKER 5 AMP	
53	56323260	11	Kabelbriede zu BR 1000	[3]
54	56394585	1	CLAMP-P-1.57 DIA.	
55	56410223	1	Schelle	
56	56454429	1	CIRCUIT BREAKER 70A	
57	56459369	1	Abdeckung Rückstellknopf5015	
58	56496276	1	Klammer	
59	56601686	1	FERRITE BEAD	
60	302004029	2	SCREW 5X18	
61	1466344000	8	TIE CABLE 4.8X200 BLACK 10 PCS SET	
62	1467025000	12	TIE CABLE 2.9X130 BLACK 10 PCS SET	
63	9098906000	2		[3]
64	7-82-00050	1	Sitzschalter BR 1300 S	
65	L08066000	1	TIE CABLE QUICK FASTENING L.320	
66	9100001351	2	WASHER M8 UNI6592 SS 10 PCS SET	
67	L08603682	1	Stopmutter	[1]
			Service Kits	
K1	56117465	1	CONTROLLER KIT	
K2	56117834	1	HAZARD LIGHT BRACKET KIT	
K3	56117835	1	36V CONTACTOR KIT	

## Part Notes:

- [1] - K3
- [2] - NOT FOR SALE VIA EDC
- [3] - K2
- [4] - K1
- [5] - NO LONGER AVAILABLE



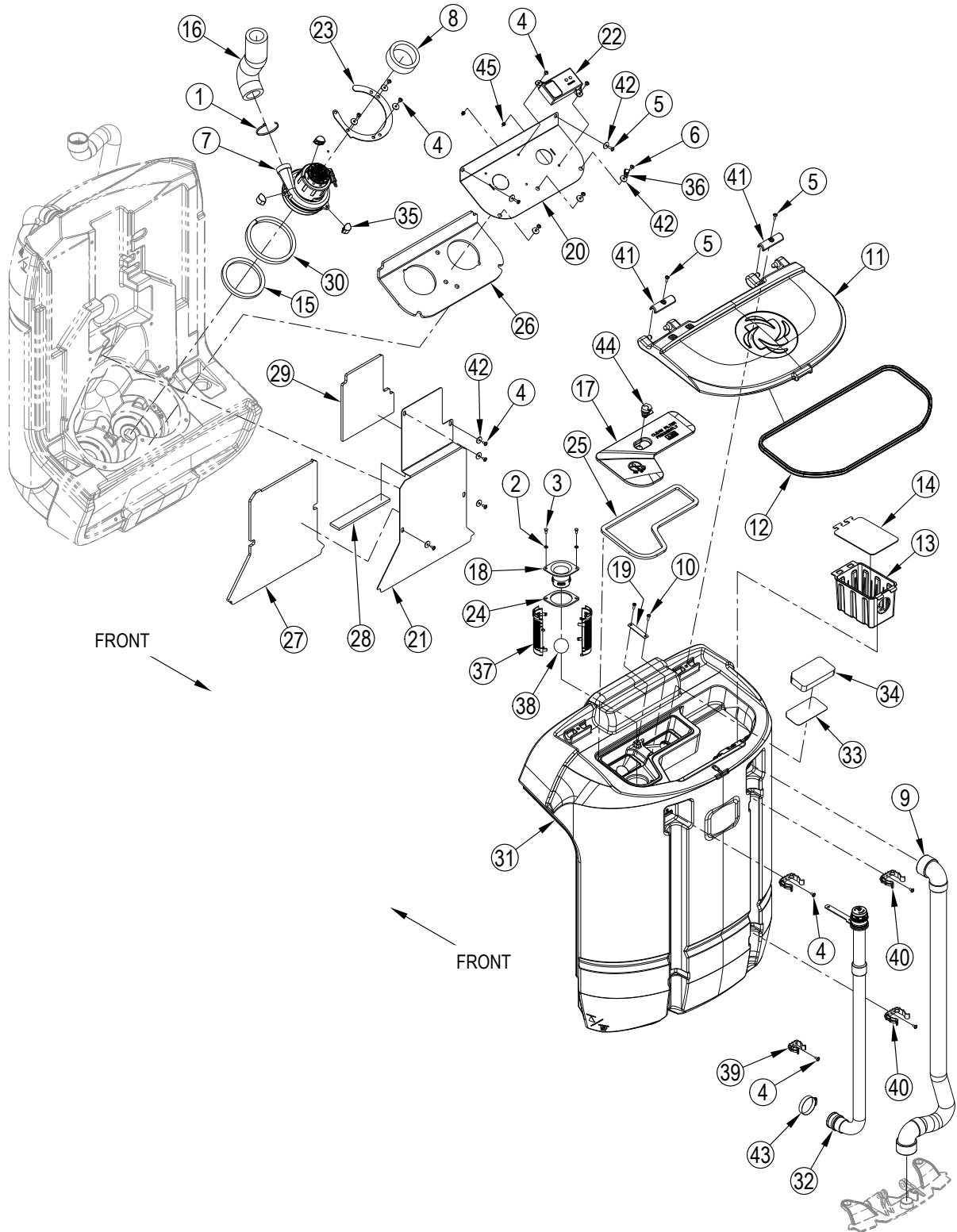
Pos.	Artikel-Nr.	Menge	Variante	Notes
1	56003638	1	WSH FLT SS M6	
2	56004083	1	SCR HEX M6X12 SS W/THD LCK	
3	56104189	1	INSERT-DRY BRAKE	
4	56104408	1	CHEMICAL BOTTLE ASSY	
5	56110742	1	Chemie Pumpe 2	
6	56111870	1	HOSE-27.00 IN CHEM RESISTANT	
8	56116611	1	CABLE TIE MOUNT	
9	56116801	1	DECAL-CHEMICAL RATIO	
10	56117399	1		
11	56117480	2	DECAL-ADVANCE SC5000-ECOFLEX	
12	56117482	2	DECAL-NILFISK SC5000-ECOFLEX	
13	56306169	1	HOSE CHEM RESISTANT 17.00	
15	56314982	1	REDUCER BARB	
16	56315523	1	Deckel EDS-Schwimmer	
17	56315690	1	CAP 38MM BUTTRESS	
18	33023593	1	Schlauchbriede 8-16/9 DIN3017, 2 St.	
19	9100001512	1	CAP PLASTIC F CHEMICAL TANK	



Pos.	Artikel-Nr.	Menge	Variante	Notes
1	56003402	2	Mutter M5 x 0.80	
2	56003427	2	Schraube M5 x 20mm	
3	56004101	5	SCR TRX M6X20 W/THD LCK BLK	
4	56117410	1		
5	56117425	1	BRACKET-ONBOARD CHARGER MOUNT	
6	56117797	1		
7	56383867	1	CORD-AC SCHUKO IEC320 - DELTAQ	
8	145 8280 000	2	WASHER 5X15X1.2 UNI6593	
9	145 9960 000	4	MUTTER	[1]
10	1466317000	1	SUPPORT CABLE KIT	
11	1466530000	1	WASHER PLAIN M6X18 ISO7093 10 PCS SET	

## Part Notes:

[1] - GUARANTEE DATE EXPIRED



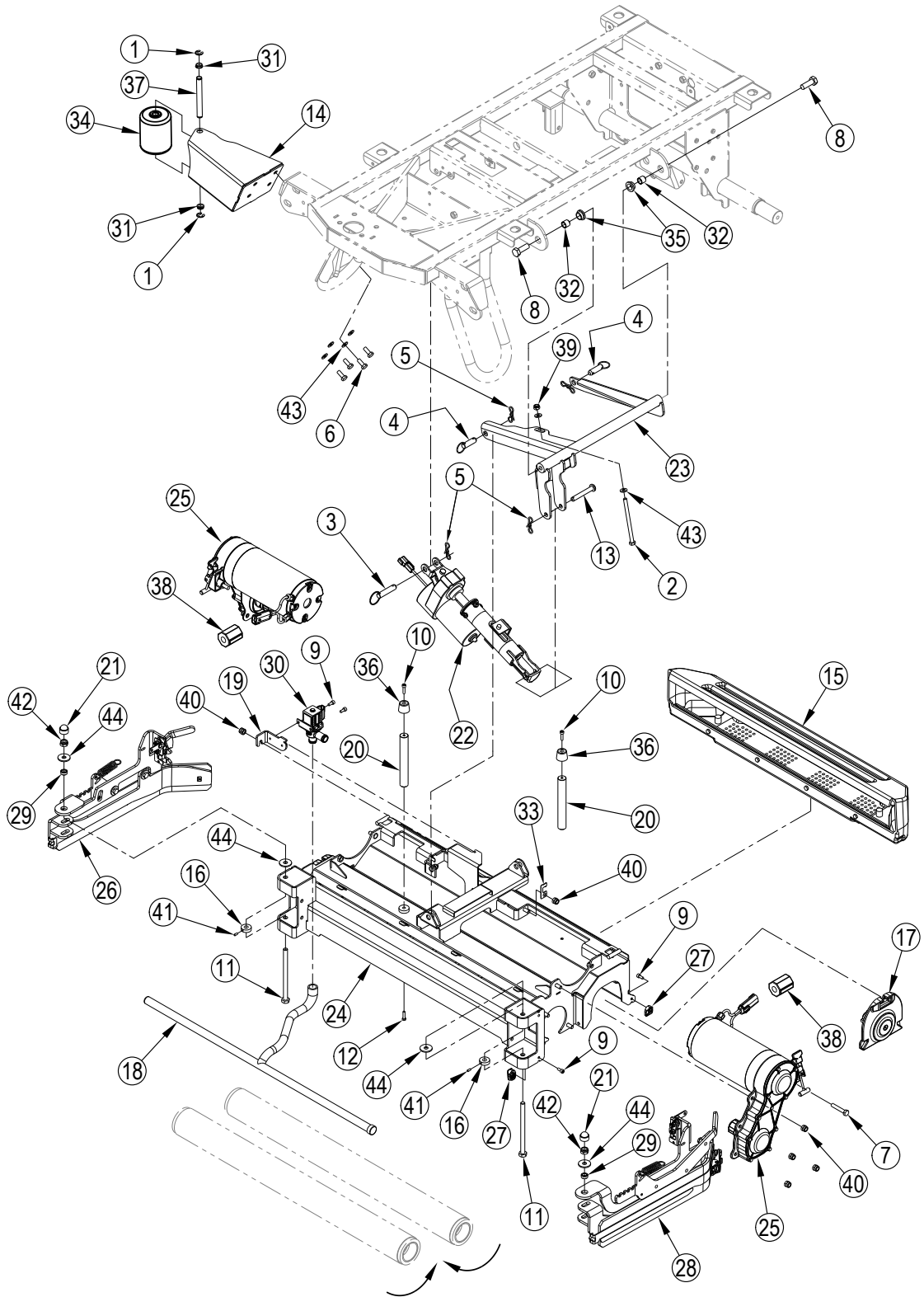
Pos.	Artikel-Nr.	Menge	Variante	Notes
1	33003513	1	Klammer 290X4.8	[1]
2	33005875	2	WASHER M6 UNI6592 SS	
3	56004083	2	SCR HEX M6X12 SS W/THD LCK	
4		13	Scr Trx M6x12 W/Thd Lck Blk	[2]
5		4	Scr Trx M6x20 W/Thd Lck Blk	[3]
6	56004157	3	SCR TRX M6X16 W/THD LCK BLK	
7		1	Motor-Vacuum 36vdc	[4]
8		1	Seal-Inlet	[4]
9	56116537	1	Absaugschlauch	
10	56116800	2	SCREW M6X20 WN1451 BLACK ZN	
11		1	Cover-Recovery Tank	[5]
12	56117191-SP	1	SEAL-RECOVERY COVER	[5]
13	56117529-SP	1	DEBRIS TRAY	
14	56117530-SP	1	COVER-DEBRIS TRAY	
15	56117531-SP	1	GASKET-VAC INLET	[4]
16	56117532	1	FOAM TUBE-EXHAUST	
17	56117533-SP	1	COVER-FILTER	[6]
18	56117534-SP	1	MOUNT-FLOAT CAGE	[7]
19	56117535-SP	1	PLATE-COVER LATCH	
20		1	Panel-Upper-Vacuum Exhaust	[8]
21		1	Panel-Lower-Vacuum Exhaust	[9]
22	56117538-SP	1	RESONATOR-VACUUM INLET	
23	56117539-SP	1	RETAINER-VACUUM MOTOR	
24	56117544-SP	1	GASKET-FLOAT CAGE	[7]
25	56117545-SP	1	GASKET-FILTER COVER	[6]
26	56117546-SP	1	FOAM-SOUND-VAC COVER	[8]
27	56117547-SP	1	FOAM-SOUND-VAC EXHAUST-UPPER	[9]
28	56117548-SP	1	FOAM-SOUND-VAC EXHAUST-MID	[9]
29	56117549-SP	1	FOAM-SOUND-VAC EXHAUST-LOWER	[9]
30	56117550-SP	1	GASKET-VAC HOUSING	[4]
31	56117637-SP	1	TANK-RECOVERY	
32	56117789-SP	1	HOSE ASSY-DRAIN-PU-1.5-BLACK	
33	56314372	1	Filtersieb	
34	56314373	1	Filterschwamm BR 700 S	
35		3	Mount, Vibration	[4]
36	56323260	1	Kabelbriede zu BR 1000	
37		2	Cage, Float	[7]
38		1	Ball- Float	[7]
39	56392171	1	Klammer BR 1000	
40	56396199	3	Klammer	
41		2	Hinge Clamp	
42		12	Washer Plain M6x24x2 Ss Iso7093	[10]
43	146 0771 000	1	CLAMP	
44		1	Latch With Fold Away	[6]
45	L08603682	2	Stopmutter	
			Service Kits	
K1	56117990	1	RECOVERY TANK LID KIT	[11]
K2	56117991	1	FILTER COVER KIT	[12]
K3	56117992	1	FLOAT CAGE KIT	[13]
K4	56117993	1	VACUUM MOTOR KIT	[14]
K5	56117994	1	LOWER VACUUM EXHAUST PANEL KIT	[15]
K6	56117995	1	UPPER VACUUM EXHAUST PANEL KIT	[16]

## Part Notes:

- [1] - GUARANTEE DATE EXPIRED
- [2] - K3,K5
- [3] - K1,K6
- [4] - K4
- [5] - K1



- [6] - K2
- [7] - K3
- [8] - K6
- [9] - K5
- [10] - K5,K6
- [11] - K1 include pos. 5, 11, 12, 41
- [12] - K2 include pos.17, 25, 44
- [13] - K3 include pos. 4, 18, 24, 37, 38
- [14] - K4 include pos. 7, 8, 15, 30, 35
- [15] - K5 include pos. 4, 21, 27, 28, 29, 42
- [16] - K6 include pos. 5, 20, 26, 42

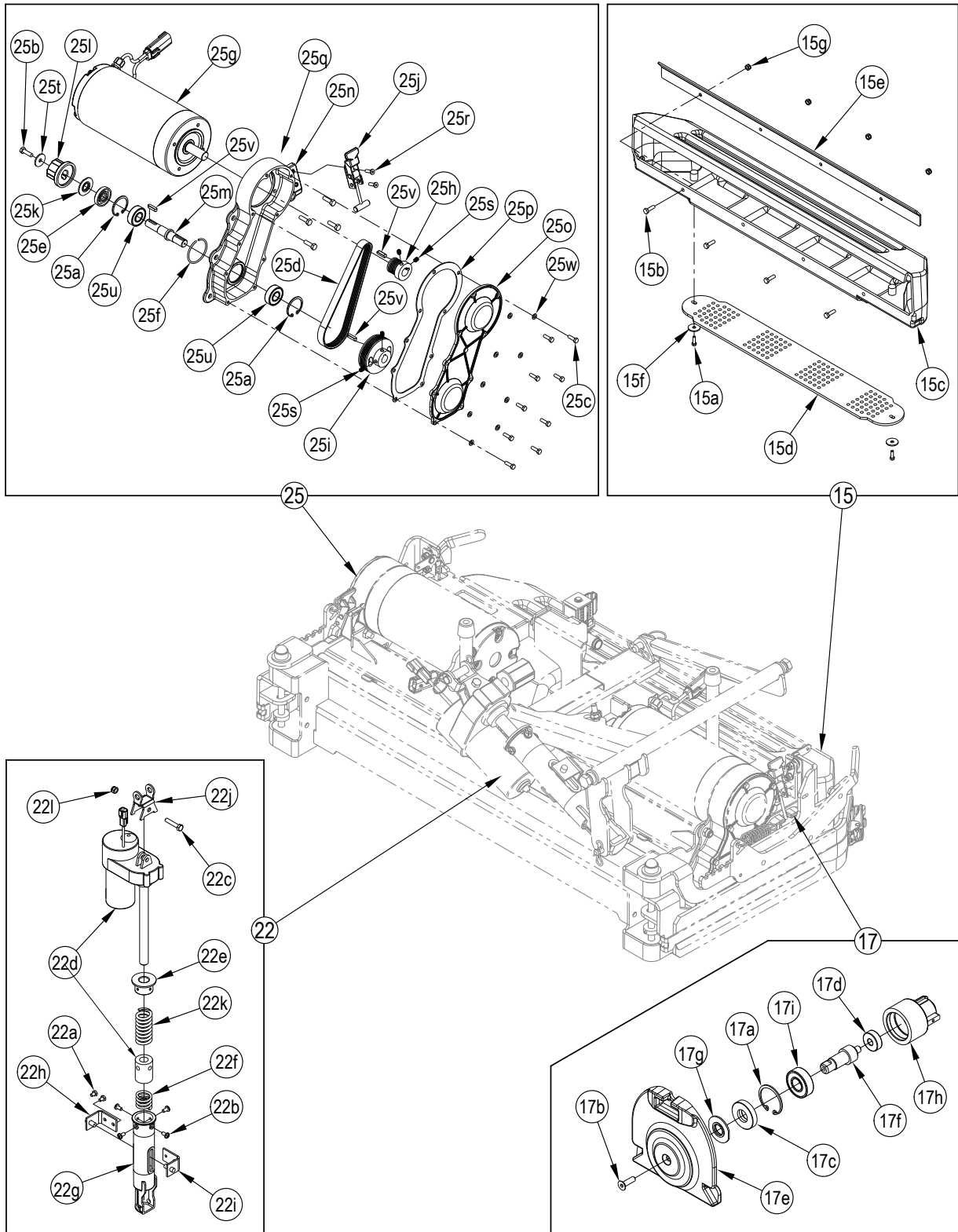


Pos.	Artikel-Nr.	Menge	Variante	Notes
1		2	Ring, Ret Ext Type E 0.50 Dia	[1]
2	56003462	1	Schraube HEX SS M8	
3		1	Pin, Ring .50 X 1.63	[2]
4	56003786	2	Bolzenring	[3]
5		4	Pin-Bow-Tie Cot 7/16-1/2x.091	[4]
6		4	Scr Hex M8x20 Ss W/Thd Lck	[5]
7		2	Scr Hex M8x45 Ss W/Thd Lck	[6]
8		2	Scr Hex M12x35 Ss W/Thd Lck	[3]
9		6	Scr Trx M5x12 Skt Ss W/Thd Lck	[7]
10		2	Scr Trx M5x20 Skt Ss W/Thd Lck	[8]
11		2	Scr Hex M10x150 Sdir W/Thd Lck	[9]
12	56004161	2		
13		1	Pin-Clevis 10x70 Iso2341-B	[4]
14		1	Roller Weldment	[5]
15	56117313-SP	1	HOPPER ASSEMBLY-32IN	
16	56117316-SP	2	COLLAR-10MMX25MMX8MM	[9]
17	56117318-SP	2	IDLER ASSEMBLY-CYLINDRICAL	
18	56117362-SP	1	APPLICATOR TUBE ASSY-32 IN	
19	56117455-SP	1	PLATE-VALVE	[7]
20		2	Rod-Up Stop-20mm-148mm	[8]
21	56117632-SP	2	CAP-PLASTIC-BLACK-HEX-17MM	
22		1	Actuator Assy-Cyl Deck	[2]
23		1	Deck Linkage Weldment	[3]
24		1	Cyl Deck Weldment-32in	[6]
25	56120292	2	DRIVE ASSEMBLY-CYL-5.75IN KIT	[10]
26		1	Blade Assembly-Cyl-Right	[11]
27	56117772-SP	4	GUIDE-WEAR	
28		1	Blade Assembly-Cyl-Left	[12]
29	56117996-SP	2	BUSHING-10MMX16MMX6MM	[13]
30		1	Valve-Solenoid-36vdc	[7]
31		2	Bearing, Flange	[1]
32		2	Bushing	[3]
33	56384494	2	CLIP-MOUNT-TIE DOWN	
34		1	Wheel, Roller	[1]
35		2	Bearing, Flange	[3]
36		2	Up Stop Mount	[8]
37		1	Pin	[1]
38	56601686	2	FERRITE BEAD	
39	145 0452 000	1	NUT SELFLOCKING LOW M8 UNI7474 SS	
40		11	Nut Lock Hex M8 Ss Iso7040	[6]
41		2	Screw Grub M5x10 Cup Point Iso4029	[9]
42		2	Nut Lock Hex M10 Low Ss Iso10511	[13]
43		6	Washer Plain M8x16 Ss Iso7089	[5]
44		4	Washer Plain M10x30 Ss Iso7093	[9]
			Service Kits	
K1	56117919	1	CYLINDRICAL DECK ACTUATOR KIT	[14]
K2	56117898	1	SOLENOID VALVE KIT	[15]
K3	56117899	1	UP STOP KIT	[16]
K4	56117900	1	32 CYL DECK WELDMENT KIT	[17]
K5	56117901	1	LEFT BLADE KIT	[18]
K6	56117902	1	RIGHT BLADE KIT	[19]
K7	56117903	1	ROLLER WHEEL KIT	[20]
K8	56117915	1	ROLLER KIT	[21]
K9	56117911	1	DECK LINKAGE KIT	[22]

Part Notes:

- [1] - K7,K8
- [2] - K1
- [3] - K9

- [4] - K1,K9
- [5] - K8
- [6] - K4
- [7] - K2
- [8] - K3
- [9] - K4,K5, K6
- [10] - Include pos. 7, 25, 40
- [11] - K6
- [12] - K5
- [13] - K5,K6
- [14] - K1 include pos. 3, 5, 13, 22
- [15] - K2 include pos. 9, 19, 30
- [16] - K3 include pos. 10, 20, 36
- [17] - K4 include pos. 7, 11, 16, 24, 40, 41, 44
- [18] - K5 include pos. 11, 16, 21, 29, 41, 42, 44
- [19] - K6 include pos. 11, 16, 21, 29, 41, 42, 44
- [20] - K7 include pos. pos. 1, 31, 34, 37
- [21] - K8 include pos. 1, 6, 14, 31, 34, 37, 43
- [22] - K9 include pos. 5, 13, 32, 35

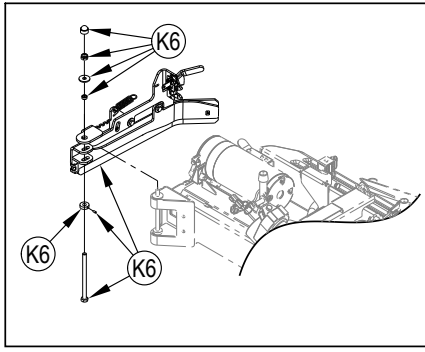


Pos.	Artikel-Nr.	Menge	Variante	Notes
15	56117313-SP	1	HOPPER ASSEMBLY-32IN	
15a		2	Scr-Hex Loc Ss M5-0.8 X 16mm	[1]
15b	56004084	4	SCR HEX M6X20 SS W/THD LCKScr Hex M6x20 Ss W/Thd Lck	
15c		1	Hopper-Cylindrical-32in	
15d		1	Screen-Hopper-32in	[1]
15e	56117314	1	BRACKET-HOPPER-32IN	
15f		2	Washer Plain M6x24x2 Ss Iso7093	[1]
15g	L08603682	4	Stopmutter	
17	56117318-SP	2	IDLER ASSEMBLY-CYLINDRICAL	
17a	33006165	1	RING D 35 UNI7437	
17b	33023604	1	SCREW M6X20 C/SUNK FLAT HEX SS ISO10642	
17c	56117136-SP	1	SEAL-BEARING-15MM X 35MM X 7MM	
17d	56117198-SP	1	BEARING-BALL-8MM X 24MM X 8MM	
17e	56117317-SP	1	CASTING-IDLER END-CYLINDRICAL	
17f		1	Spindle-Idler End-Cylindrical	
17g	56117564-SP	1	WASHER-BEARING	
17h		1	Lug-Idler-Cyl Deck	
17i	145 2361 000	1	Kugellager 6202-2RS1	
22	56117919	1	CYLINDRICAL DECK ACTUATOR KIT	
22a	56009019	2	Schraube 1/4-20x.38	
22b	56009062	4	Schraube	
22c	56116853	1	SCREW M8X40 UNI5739 SS	
22d	56117499-SP	1	ACTUATOR-DECK	
22e	56396268	1	Führung f. Feder	
22f	56412071	1	Druckfeder	
22g	56412262	1	Federgehäuse BA750/850	
22h	56420019	1	Mutter arretierung	
22i	56420020	1	Mutter arretierung	
22j	56601328	1	YOKE ACTUATOR	
22k	56601470	1	COMPRESSION SPRING	
22l	145 0452 000	1	NUT SELFLOCKING LOW M8 UNI7474 SS	
25	56120292	2	DRIVE ASSEMBLY-CYL-5.75IN KIT	
25a	33006165	2	RING D 35 UNI7437	
25b		5	Scr Hex M6x20 Ss W/Thd Lck	[2]
25c		9	Scr Hex M5x16 Ss W/Thd Lck	[3]
25d		1	Belt-Auto Tension	[3]
25e	56117136-SP	1	SEAL-BEARING-15MM X 35MM X 7MM	
25f	56117148-SP	1	RING-RET EXT-ROUND-45MM	
25g		1	Motor-36vdc-1900rpm-550w	[2]
25h		1	Sheave-Poly-V-27.25mm	[4]
25i		1	Sheave-Poly V	[5]
25j		1	Latch-Draw	[6]
25k	56117564-SP	1	WASHER-BEARING	
25l	56117565-SP	1	LUG-DRIVE END	
25m	56117566	1	SPLINDLE-DRIVE END-CYLINDRICAL	
25n	56117760-SP	1	HOUSING-CYLINDRICAL DRIVE	
25o		1	Cover-Belt Housing	[3]
25p	56117762-SP	1	GASKET-DRIVE HOUSING-CYL	[3]
25q	56117785-SP	1	PLATE-NUT-LATCH	[6]
25r		2	Scr-Soc Hd-Low Prfl-M5x16-Znc	[6]
25s		4	Scr-Soc-Set Cup M6x8 Iso4029	[7]
25t	9100001272	1	WASHER PLAIN M6X24 SS ISO7093 10 PCS SET	
25u	145 2361 000	2	Kugellager 6202-2RS1	
25v		3	Key 5x5x20	[8]
25w		9	Washer Plain M5x10 Ss Iso7089	[3]
			Service Kits	
K12	56117458	1	HOPPER SCREEN KIT-32C/36C	[9]
K13	56117459	1	MOTOR KIT-CYL DECK	[10]
K14	56117460	1	LATCH KIT-CYL	[11]

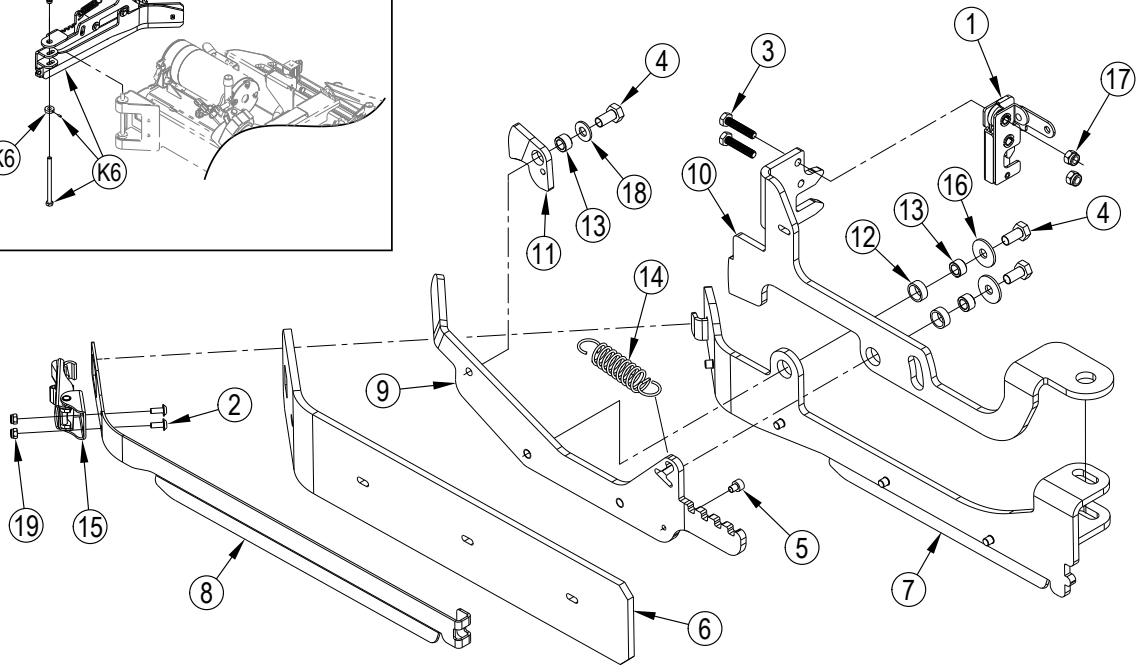
Pos.	Artikel-Nr.	Menge	Variante	Notes
K15	56117461	1	MOTOR SHEAVE KIT	[12]
K16	56117462	1	BELT AUTO TENSION KIT	[13]
K17	56117463	1	DRIVE SHEAVE KIT	[14]

Part Notes:

- [1] - K12
- [2] - K13
- [3] - K16
- [4] - K15
- [5] - K17
- [6] - K14
- [7] - K15,K17
- [8] - K13,K15
- [9] - K12 include pos. 15a, 15d, 15f
- [10] - K13 include pos. 25b, 25g, 25v
- [11] - K14 include pos. 25j, 25q, 25r
- [12] - K15 include pos. 25h, 25s, 25v
- [13] - K16 include pos. 25c, 25d, 25o, 25p,25w
- [14] - K17 include pos. 25i, 25s



RIGHT SIDE BLADE ASSEMBLY



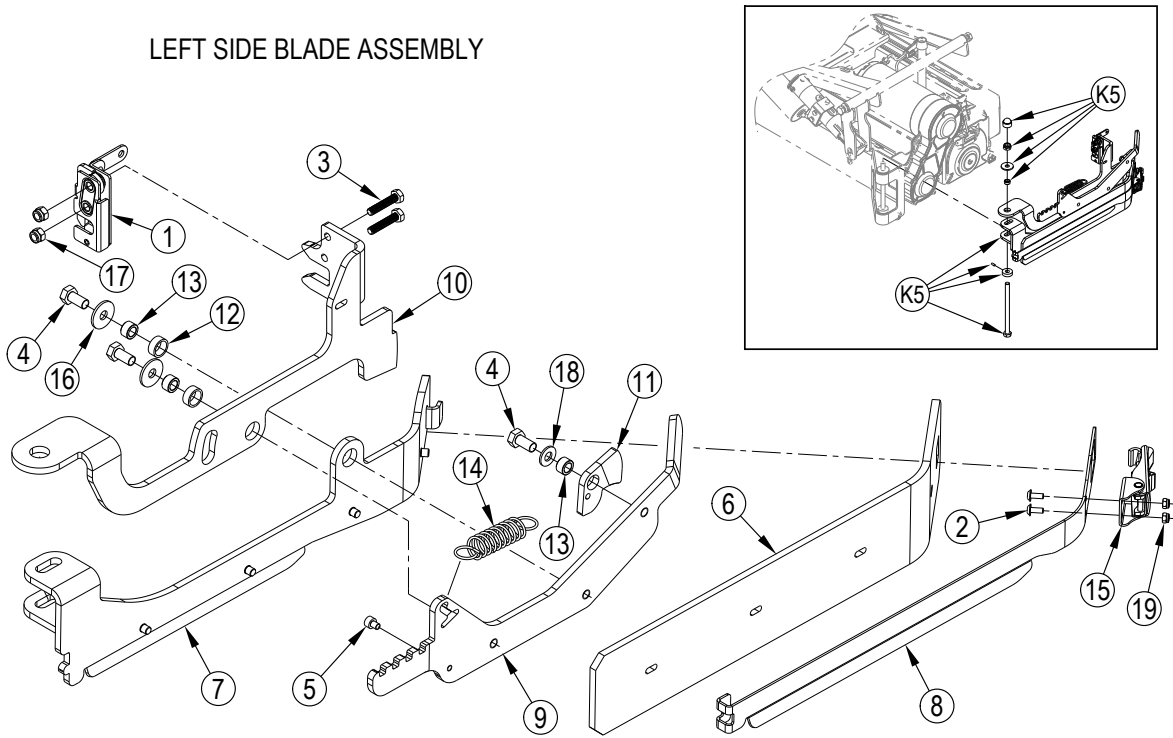


Pos.	Artikel-Nr.	Menge	Variante	Notes
		1	Right Blade Kit	[1]
1	33017127	1	LATCH ROTARY	
2		2	Scr Trx M4x10 Bk Zc W/Thd Lck	[2]
3	56004124	2	SCR HEX M6X30 SS W/THD LCK	
4	56004128	3	SCR HEX M8X16 SS W/THD LCK	
5	56004129	1	SCR TRX M5X6 SKT SS W/THD LCK	
6	56117309-SP	1	BLADE-CYLINDRICAL-RED	
7	56117768-SP	1	BLADE MOUNT WELDMENT-CYL-RIGHT	
8		1	Strap-Side Blade-Cyl-Right	[2]
9	56117950-SP	1	ARM-LIFT-BLADE-CYL-RIGHT	
10	56117952-SP	1	ARM-CARRIER-BLADE-CYL-RIGHT	
11	56117987-SP	1	PLATE-LATCH	
12	56185263	2	BEARING SLEAVE E00202	
13	56320595	3	BUECHSE	
14	56470672	1	Feder	
15		1	Latch Assembly	[2]
16	1466482000	2	WASHER 8X24X2 UNI6593 SS 10 PCS SET	[3]
17	1460496000	2	SELF-LOCKING NUT M6	
18	9100001351	1	WASHER M8 UNI6592 SS 10 PCS SET	
19		2	Nut Lock Hex M4 Low Ss Iso10511	[2]
K6	56117902	1	RIGHT BLADE KIT	
K11	56117238	1	RH STRAP KIT-CYL	[4]

Part Notes:

- [1] - K6
- [2] - K11
- [3] - NO LONGER AVAILABLE
- [4] - K11 include pos. 2, 8, 15, 19

LEFT SIDE BLADE ASSEMBLY

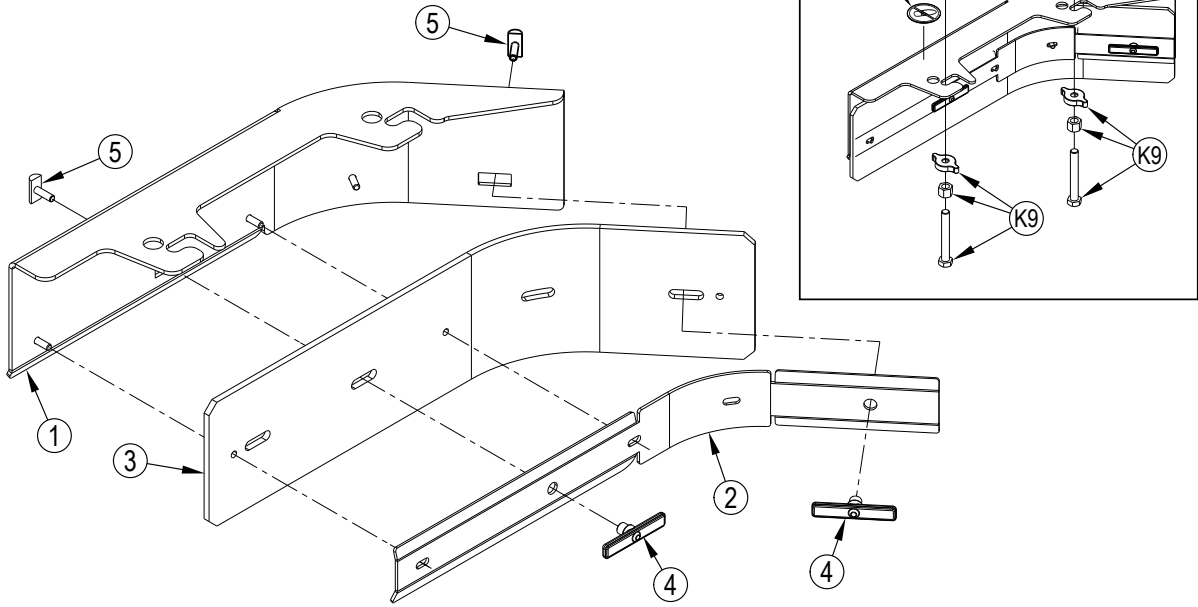


Pos.	Artikel-Nr.	Menge	Variante	Notes
		1	Left Blade Kit	[1]
1	33017127	1	LATCH ROTARY	
2		2	Scr Trx M4x10 Bk Zc W/Thd Lck	[2]
3	56004124	2	SCR HEX M6X30 SS W/THD LCK	
4	56004128	3	SCR HEX M8X16 SS W/THD LCK	
5	56004129	1	SCR TRX M5X6 SKT SS W/THD LCK	
6	56117309-SP	1	BLADE-CYLINDRICAL-RED	
7	56117778-SP	1	BLADE MOUNT WELDMENT-CYL-LEFT	
8		1	Strap-Side Blade-Cyl-Left	[2]
9	56117951-SP	1	ARM-LIFT-BLADE-CYL-LEFT	
10	56117953-SP	1	ARM-CARRIER-BLADE-CYL-LEFT	
11	56117987-SP	1	PLATE-LATCH	
12	56185263	2	BEARING SLEAVE E00202	
13	56320595	3	BUECHSE	
14	56470672	1	Feder	
15		1	Latch Assembly	[2]
16	1466482000	2	WASHER 8X24X2 UNI6593 SS 10 PCS SET	[3]
17	1460496000	2	SELF-LOCKING NUT M6	
18	9100001351	1	WASHER M8 UNI6592 SS 10 PCS SET	
19		2	Nut Lock Hex M4 Low Ss Iso10511	[2]
			Service Kits	
K5	56117901	1	LEFT BLADE KIT	
K10	56117252	1	LH STRAP KIT-CYL	[4]

Part Notes:

- [1] - K5
- [2] - K10
- [3] - NO LONGER AVAILABLE
- [4] - K10 include pos. 2, 8, 15, 19

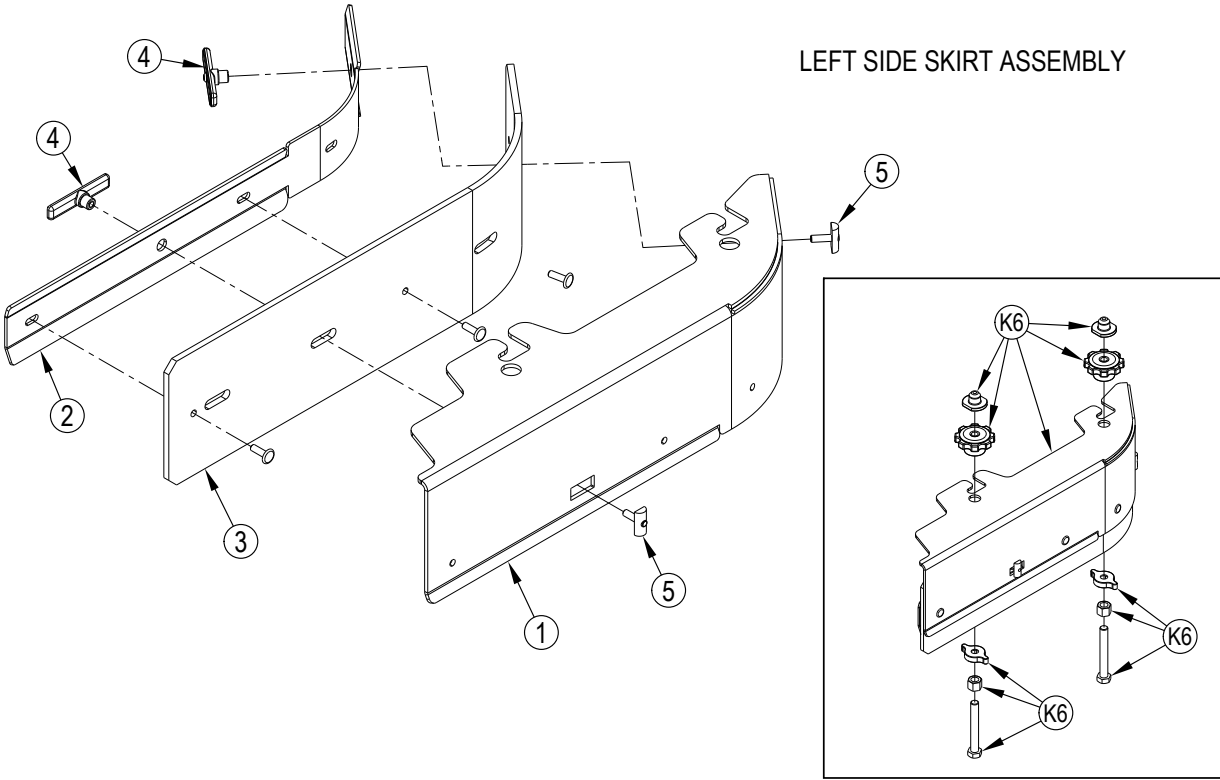
RIGHT SIDE SKIRT ASSEMBLY



Pos.	Artikel-Nr.	Menge	Variante	Notes
		1	Disc Right Skirt Kit	[1]
1	56117497	1	RT FIXED SIDE BLADE WELD-34D	
2		1	Strap-Right-34d	[2]
3	56120341	1	DISC/REV SIDE BLADE KIT-LINAT	
4		2	Thumb Nut	[2]
5	56413850	2	Spezial SchraubeBR 1300 SC	
			Service Kits	
K9	56117913	1	DISC RIGHT SKIRT KIT	
K14	56117214	1	RH STRAP KIT-DISK	[3]

Part Notes:

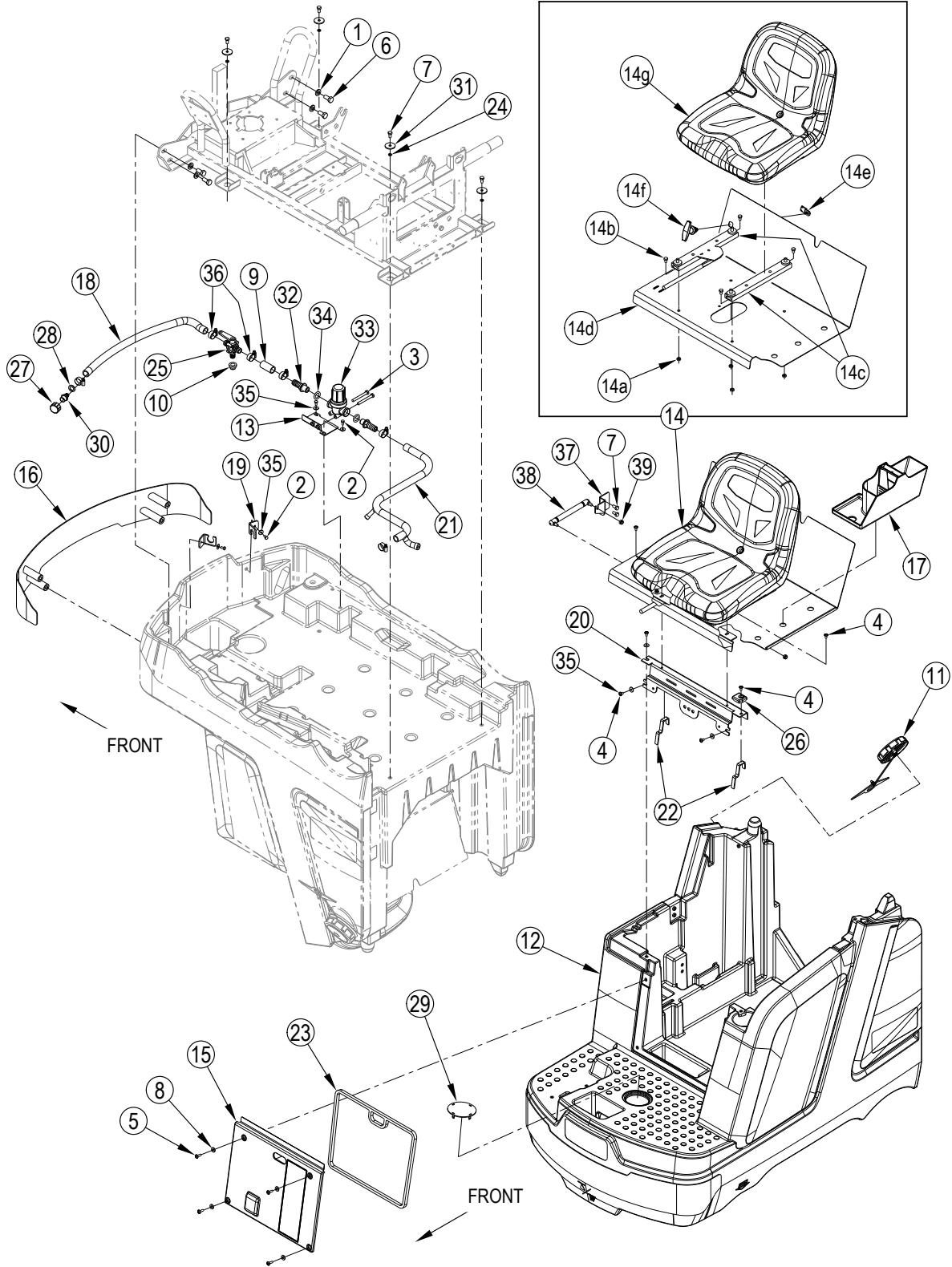
- [1] - K9
- [2] - K14
- [3] - K14 include pos. 2, 4



Pos.	Artikel-Nr.	Menge	Variante	Notes
		1	Left Skirt Kit	[1]
1	56117494	1	LT FIXED SIDE BLADE WELD-34D	
2		1	Strap-Left-34d	[2]
3	56120341	1	DISC/REV SIDE BLADE KIT-LINAT	
4		2	Thumb Nut	[2]
5	56413850	2	Spezial SchraubeBR 1300 SC	
			Service Kits	
K6	56117910	1	LEFT SKIRT KIT	
K15	56117219	1	LH STRAP KIT-DISK	[3]

Part Notes:

- [1] - K6
- [2] - K15
- [3] - K15 include pos. 2, 4

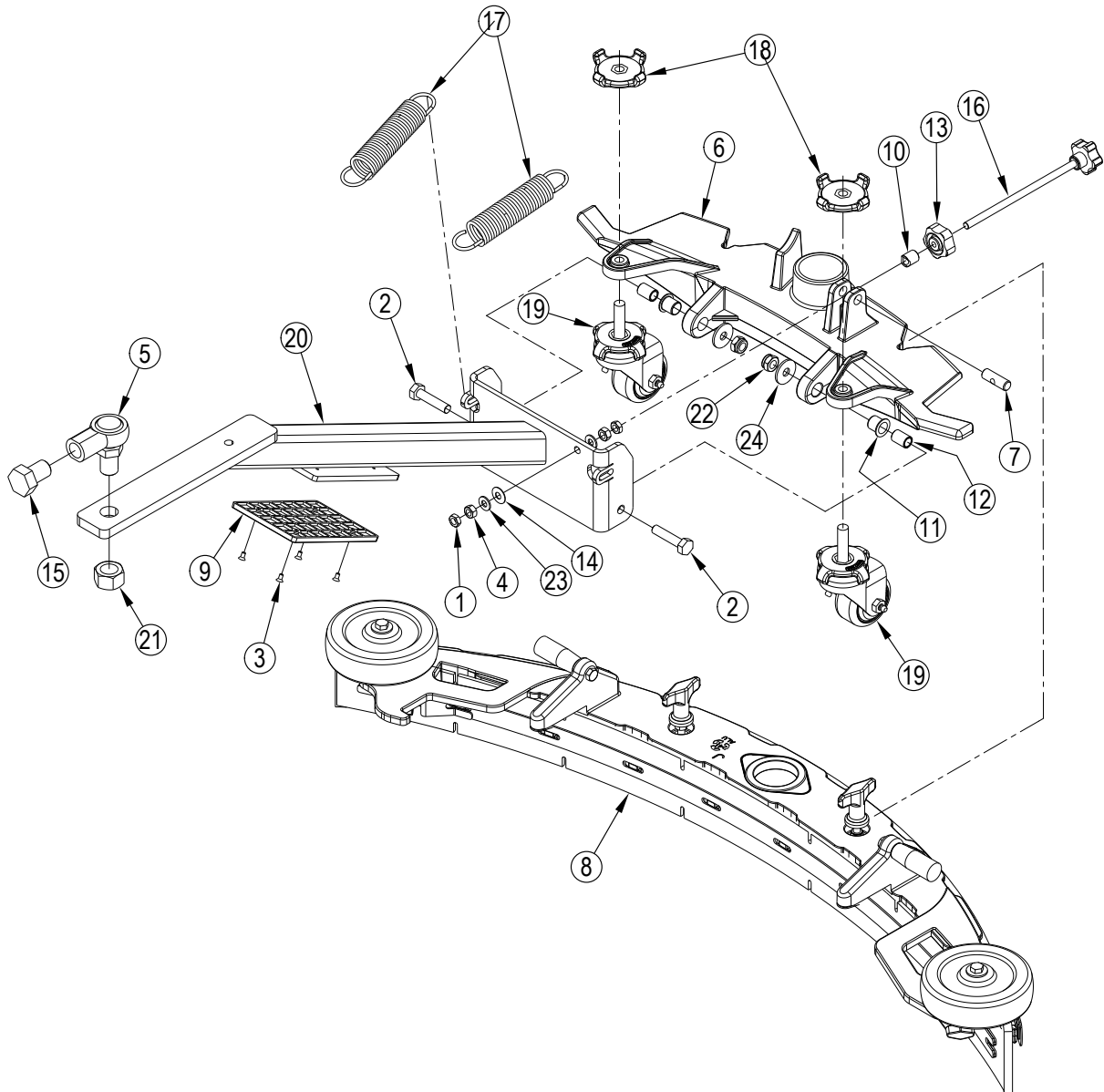




Pos.	Artikel-Nr.	Menge	Variante	Notes
1		4	Washer Plain M12x24 Iso7089	[1]
2		4	Scr Hex M6x12 Ss W/Thd Lck	[2]
3		2	Scr Hex M8x70 Ss Wthd Lck	[2]
4		6	Scr Trx M6x12 W/Thd Lck Blk	[3]
5		4	Scr Trx M6x20 W/Thd Lck Blk	[4]
6		4	Scr Hex M12x25 Ss W/Thd Lck	[1]
7		6	Scr Hex M8x16 Ss W/Thd Lck	[5]
8	56004155	4		
9		1	Hose-20x26x52mm	[6]
10		1	Grommet-.59x.78x.62	[5]
11	56116763	1	SOLUTION CAP ASSEMBLY	
12		1	Tank-Solution	[5]
13		1	Bracket-Filter Mount	[2]
14		1	Seat Mount Assembly	
14a	33005533	4	Nut HEX M8 UNI 5589	
14b	56004086	4	SCR HEX M8X12 SS W/THD LCK	
14c	56109300	1	SLIDE KIT NO STUDS	
14d	56120175-SP	1	SEAT MOUNT WELDMENT	
14e	56117794-SP	1	LATCH-OFFSET CAM-STEEL	
14f	56117795-SP	1	LATCH-HANDLE-QUARTER TURN	
14g	56394342	1	SEAT-MID BACK-11.25IN MOUNT	
15		1	Cover-Electrical Panel	[4]
16		1	Bumper Weldment	[7]
17	56117457-SP	1	BOX-STORAGE	
18		1	Hose-Drain	[8]
19	56117488-SP	2	CLIP-HOSE-25 MM	
20		1	Bracket-Seat Mount	[3]
21		1	Manifold Hose Assembly	[9]
22	56117792-SP	2	GASKET-CROSS BAR	[3]
23	56117793-SP	1	GASKET-ELECTRICAL COVER	[4]
24	56117828-SP	4	SPACER-CHASSIS	
25		1	Valve-Ball-5/8x3/4in Barb	[6]
26	56117965-SP	1	COVER-CROSS BAR	
27		1	Cap, Pipe Ght Nylon	[8]
28		1	Washer-Rubber	[8]
29	56412263	1	Abdeckung f. Welle	
30		1	Barb	[8]
31		4	Washer Plain M8x38x3 Galv.	[5]
32		2	Barb Hose Straight D.19.8 G1/2	[10]
33		1	Filter Water	[10]
34		2	O-Ring 5x20 Metric Nbr 70sh	[10]
35		7	Washer Plain M6x18 Iso7093	[11]
36		6	Clamp 12/16-27	[12]
37	56120176	1	BRACKET- GAS STRUT	
38	56120179	1	SPRING-GAS	[13]
39		2	Nut Lock Hex M8 Low Ss Iso10511	[13]
			Service Kits	
K1	56117935	1	BUMPER KIT	[14]
K2	56117936	1	DRIAN HOSE KIT	[15]
K3	56117925	1	BALL VALVE KIT	[16]
K4	56117926	1	WATER FILTER KIT	[17]
K5	56117927	1	FILTER MOUNT KIT	[18]
K6	56117928	1	MANIFOLD HOSE KIT	[19]
K7	56117929	1	COVER GASKET KIT	[20]
K8	56117930	1	SEAT MOUNT KIT	[21]
K9	56117184	1	SOLUTION TANK KIT	[22]
K10	56120189	1	GAS STRUT KIT	[23]

## Part Notes:

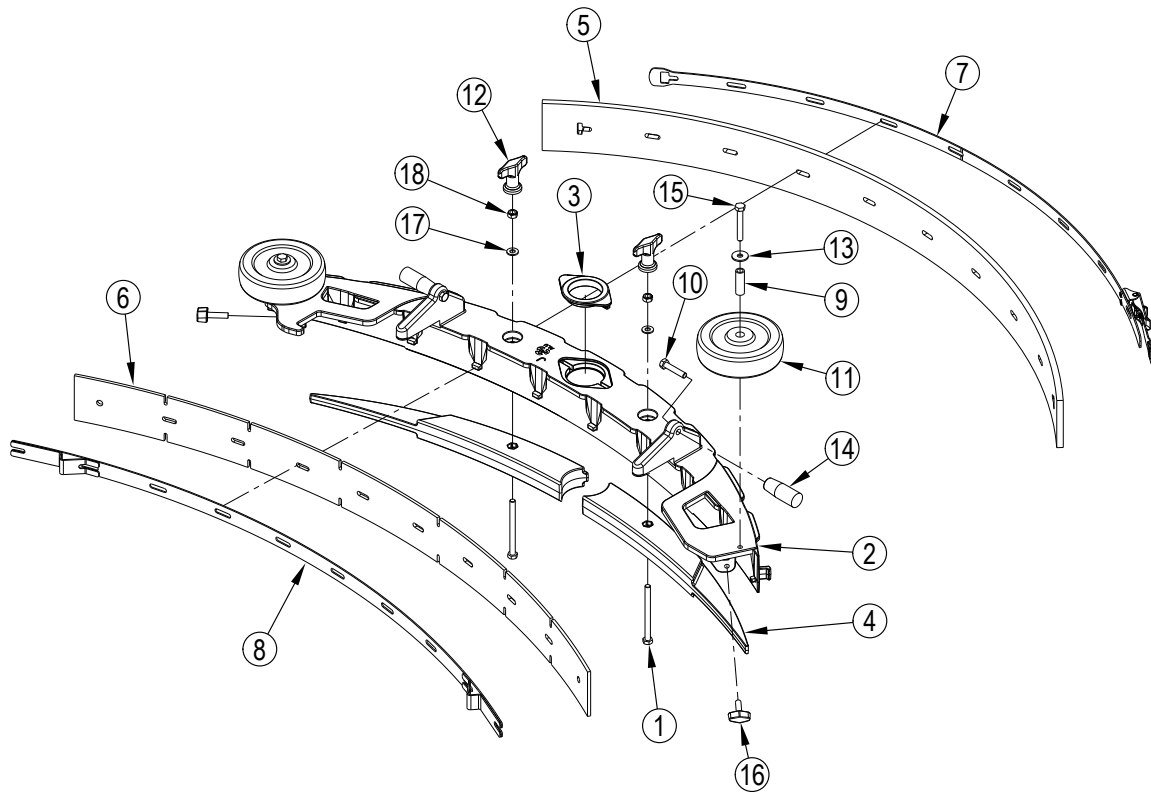
- [1] - K1,K9
- [2] - K5
- [3] - K8
- [4] - K7
- [5] - K9
- [6] - K3
- [7] - K1
- [8] - K2
- [9] - K6
- [10] - K4
- [11] - K5,K8
- [12] - K2,K3
- [13] - K10
- [14] - K1 include pos. 1, 6, 16
- [15] - K2 include pos. 18, 27, 28, 30, 36
- [16] - K3 include pos. 9, 25, 36
- [17] - K4 include pos. 32, 33, 34
- [18] - K5 include pos. 2, 3, 13, 35
- [19] - K6 include pos. 21
- [20] - K7 include pos. 5, 15, 23
- [21] - K8 include pos. 4, 20, 22, 35
- [22] - K9 include pos. 1, 6, 7, 10, 12, 31
- [23] - K10 include pos. 38, 39



Pos.	Artikel-Nr.	Menge	Variante	Notes
1	33005533	2	Nut HEX M8 UNI 5589	[1]
2		2	Screw M10x45 Hex Hd F/Thd Ss Iso4017	[2]
3		4	Scr-Flt Phil Ss M4-0.7 X 8mm	[3]
4	56003989	2	NUT HEX SS M8-1.25	[1]
5		1	Rod End-20mm	[4]
6	56116393	1	MOUNT-SQUEEGEE	
7	56116397	1	PIN-SQUEEGEE TILT	[1]
8	56116399	1	SQUEEGEE ASSEMBLY-J	
9		1	Wear Plate-Squeegee	[3]
10	56116407	1	SPACER-SQUEEGEE TILT	[1]
11	56116487	2	BEARING-FLANGE-14X16X17MM	[2]
12		2	Bushing	[2]
13	56116552	1	KNOB-M8-LOBE SHORT	
14	56116769	1	WASHER-BEVEL 8.2X20X0.7X1.35MM	[1]
15		1	Screw M20-1.5x30 Din961 8.8	[4]
16		1	Tilt Rod Assembly	[1]
17	56116974	2	SPRING-EXTENSION	
18	56117302-SP	2	KNOB-SQUEEGEE-M12	
19	56117356-SP	2	CASTER ASSEMBLY	
20	56117489-SP	1	SQUEEGEE ARM WELDT	
21		1	Nut-Hex M20x1.5 Iso8673 8.8	[4]
22	909 6013 000	2	NUT LOCK HEX M10 LOW SS ISO10511	[2]
23	9100001351	2	WASHER M8 UNI6592 SS 10 PCS SET	[1]
24		2	WASHER PLAIN M10X30 SS ISO7093	[2]
			Service Kits	
K1	56117988	1	ROD END KIT	[5]
K2	56116895	1	SQUEEGEE WEAR PLATE KIT	[6]
K3	56116893	1	HARDWARE KIT-SQUEEGEE	[7]
K4	56116894	1	SQUEEGEE TILT ADJUSTER KIT	[8]

## Part Notes:

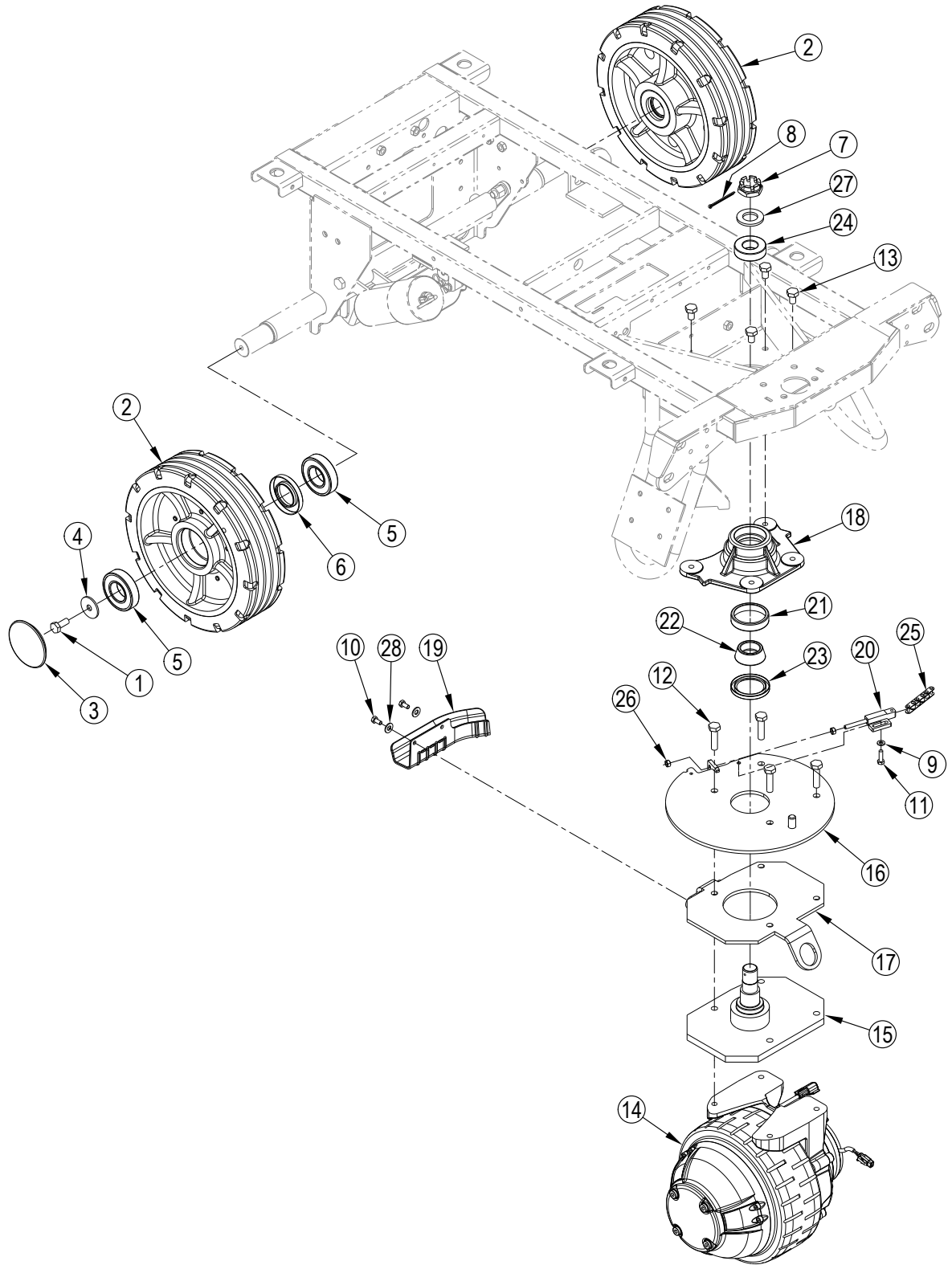
- [1] - K4
- [2] - K3
- [3] - K2
- [4] - K1
- [5] - K1 include pos. 5, 15, 21
- [6] - K2 include pos. 3, 9
- [7] - K3 include pos. 2, 11, 12, 22, 24
- [8] - K4 include pos. 1, 4, 7, 10, 14, 16, 23



Pos.	Artikel-Nr.	Menge	Variante	Notes
	56116399	1	SQUEEGEE ASSEMBLY-J	
1	56003995	2	SCR HEX THD/HD SS 5/16-18X3.75	[1]
2	56116378	1	SQUEEGEE-J	
3	56116388	1	SEAL-SQUEEGEE	
4	56116491	2	INSERT-SQUEEGEE AIRFLOW-J	
5		1	Blade-Rear-Linatex-J	[2]
6		1	BLADE-FRONT-LINARD-J	[2]
		1	Blade-Squeegee-Pu-Rear-J	[3]
		1	Blade-Squeegee-Pu-Front-J	[3]
7	56116497	1	SQUEEGEE STRAP ASSEMBLY-RR-J	
8	56116498	1	SQUEEGEE STRAP WELDMENT-FR-J	
9	56116768	2	BUSHING .344X.500X1.56IN	[4]
10		2	Screw M8x40 Uni5739 Ss	[1]
11		2	Wheel 5.00 X 1.50	[4]
12	56370711	2	Mutter	[1]
13	1466482000	2	WASHER 8X24X2 UNI6593 SS 10 PCS SET	[5]
14	146 3037 000	2	Hebel	[1]
15		2	SCREW HEX THD TO HD M8X55 SS	[4]
16	9100000791	2	KNOB M8X30 THD STUD SS PKD	[1]
17	9100001351	2	WASHER M8 UNI6592 SS 10 PCS SET	[6]
18	L08603988	2	NUT LOCK HEX 5/16 UNC LOW SS	[1]
			Service Kits	
K1	56116704	1	SQUEEGEE BLADE KIT-RED GUM J	[7]
K2	56116707	1	SQUEEGEE BLADE KIT-PU J	[8]
K3	56116912	1	SQUEEGEE KNOB KIT-BOTH	[9]
K4	56116911	1	SQUEEGEE ROLLER KIT-BOTH	[10]

## Part Notes:

- [1] - K3
- [2] - K1
- [3] - K2
- [4] - K4
- [5] - NO LONGER AVAILABLE
- [6] - K3  
K4
- [7] - K1 include pos. 5, 6
- [8] - K2 include pos. 6 / Optional, Not Included
- [9] - K3 include pos. 1, 10, 12, 14, 16, 17, 18
- [10] - K4 include pos. 9, 11, 15, 17

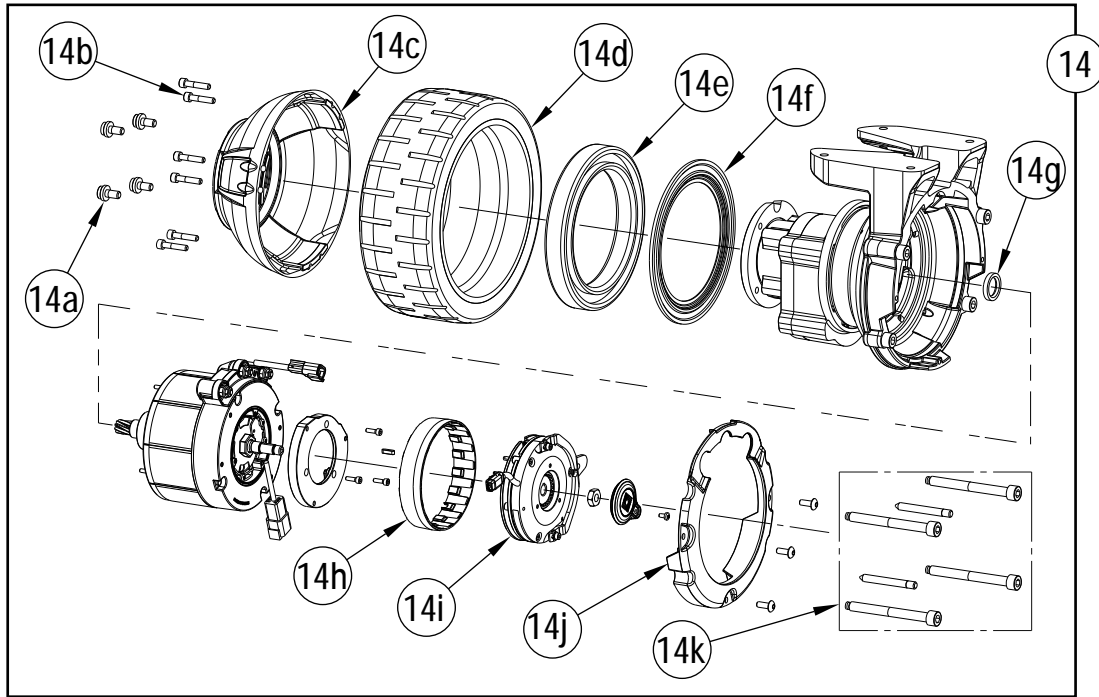


Pos.	Artikel-Nr.	Menge	Variante	Notes
1		1	Scr Hex M10x25 Ss W/Thd Lck	[1]
2		2	Wheel-Rear-Pu 12x3.5in	[2]
3		1	Cap-Hub	[1]
4		1	Washer Plain M10x40 Iso7093	[1]
5		2	Bearing-Ball-1.378x2.835x.669	[3]
6		1	Seal-Oil	[3]
7	33005668	1	NUT HEX M24X2 CASTLE LOW DIN937	
8	33005782	1	PIN SPLIT 3.2X50 ISO1234	[4]
9		1	Washer Plain M6x12.5x1.6 Ss Iso7093	[5]
10	56004083	2	SCR HEX M6X12 SS W/THD LCK	
11	56116488	1	BUSHING	[5]
12	56004092	4		
13	56004125	4	SCR HEX M10X15 SS W/CHEM LCK	
14	56117070-SP	1	DRIVE MOTOR	[6]
15	56117155-SP	1	SPINDLE WELDMENT	
16	56117428-SP	1	STEERING PLATE WELDMENT	
17	56117446-SP	1	PLATE-TIE DOWN	
18	56117558-SP	1	BLOCK-BEARING	
19	56117791-SP	1	TRAY-WIRE HARNESS	
20	56117874-SP	1	TENSIONER WELDMENT	[5]
21	56158143	1	Lagerschale	
22	56158151	1	Kegelrollenlager	
23	56171081	1	Simmenring	
24	56378380	1	Kugellager 0.9843	
25		1	Chain-Roller	[5]
26		2	Nut Hex M6 Ss	[5]
27	146 1703 000	1	WASHER PLAIN M24X44 ISO7089	
28	9100001351	2	WASHER M8 UNI6592 SS 10 PCS SET	
			Service Kits	
K1	56116033	1	BEARING KIT-REAR WHEEL	[7]
K2	56120469	1	REAR WHEEL KIT	[8]
K3	56117183	1	CHAIN KIT	[9]

## Part Notes:

- [1] - K1,K2
- [2] - K2
- [3] - K1
- [4] - STOCK COVERS GUARANTEE
- [5] - K3
- [6] - Drive Motor Breakdown
- [7] - K1 include pos.1, 3, 4, 5, 6
- [8] - K2 include pos. 1, 2, 3, 4
- [9] - K3 include pos. 9, 11, 20, 25, 26

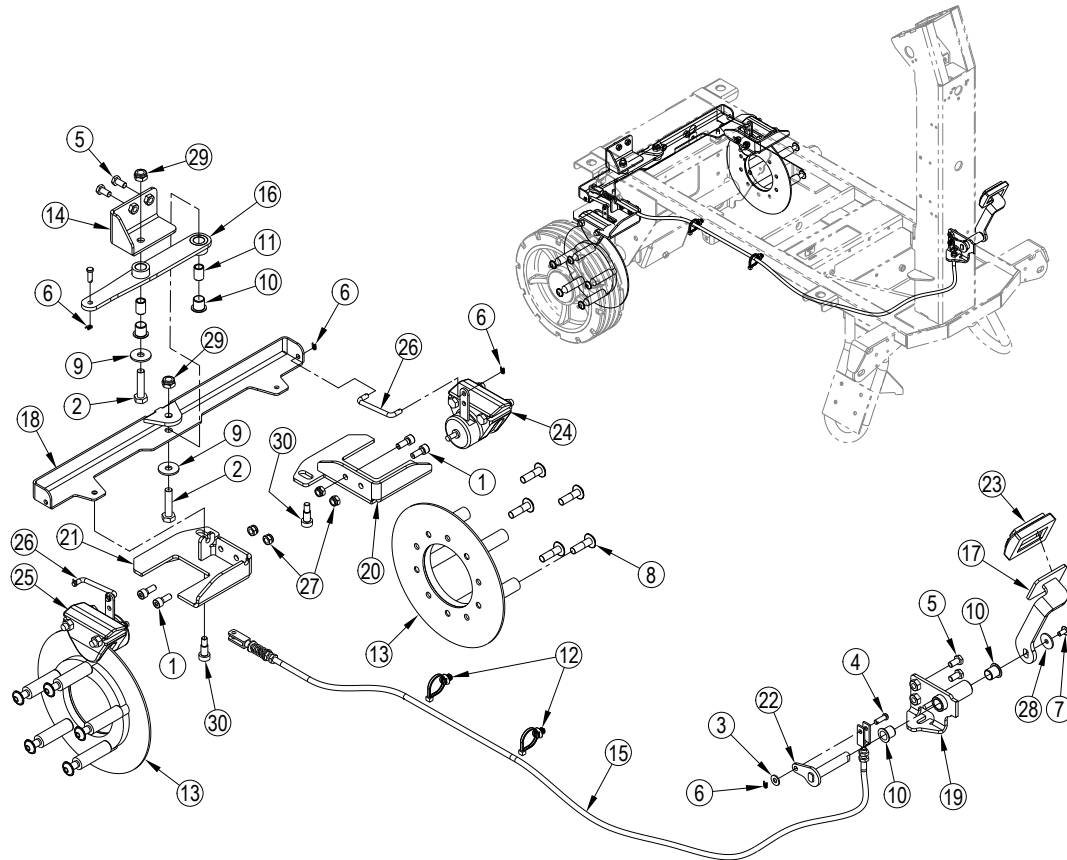




Pos.	Artikel-Nr.	Menge	Variante	Notes
14	56117070-SP	1	DRIVE MOTOR	[1]
14a	56120224	4	SCREW-ALUMINUM HUB	
14b	56120225	6	SCREW-WHEEL	
14c	56120226	1	ALUMINUM HUB	
14d	56120227	1	WHEEL-POLY-RED-250X90	
14e	56116809	1	BEARING	
14f	56118197	1	SHIELD-BALL BEARING	
14g	56412321	1	Dichtring	
14h	56120228	1	COVER-BRAKE	
14i	56120229	1	BRAKE-ELECTROMAGNETIC-LEVER	
14j	56120230	1	COVER-MOTOR	
14k	56422174	1	TIRE PULLER KIT	

Part Notes:

[1] - M42



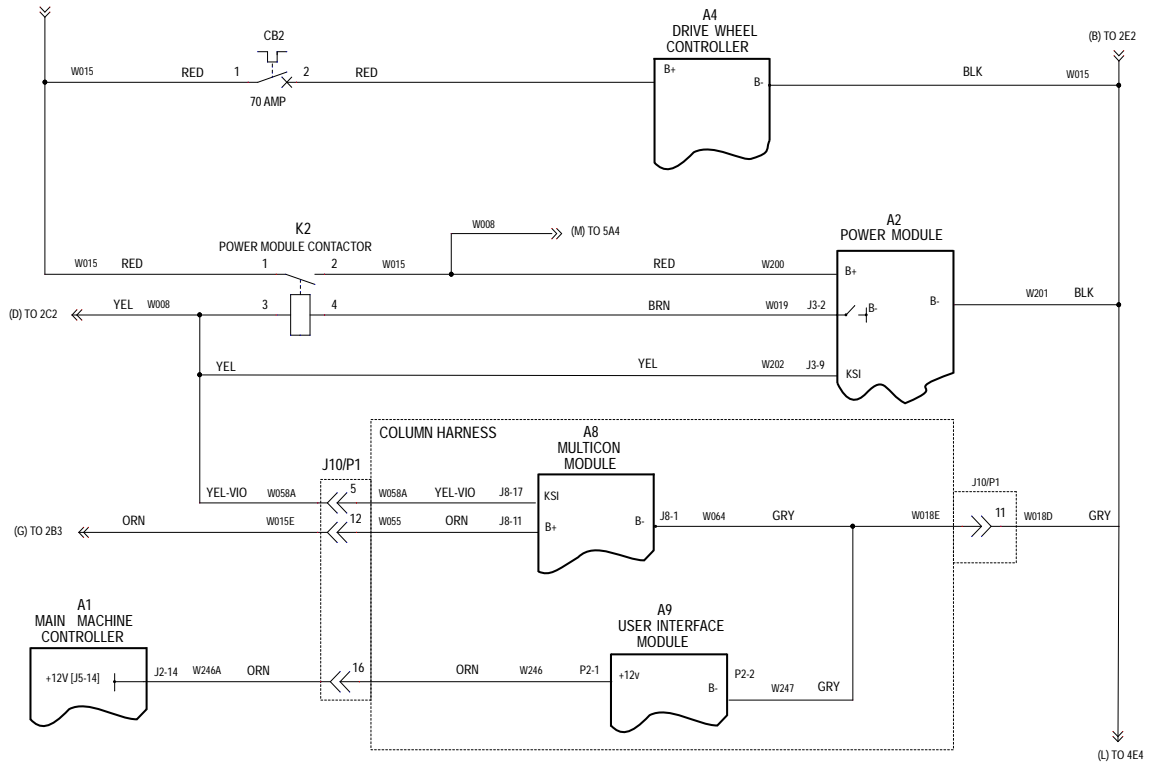
Pos.	Artikel-Nr.	Menge	Variante	Notes
1	33004365	4	SCREW M8X20 UNI5931	[1]
2	33022204	2	SCREW M10X45 HEX HD F/THD SS ISO4017	[2]
3	56002859	1	Mutter SS 1/4	[3]
4	56003663	2	Pin	[3]
5	56003908	4	SCR-HEX SS M8-1.25 X 16MM	[4]
6	56004047	6	PIN-CLEVIS-1.6X16-SS-ISO 1234	[5]
7		1	Scr Trx M6x12 W/Thd Lck Blk	[6]
8	56004186	10	SCR M10X35 TRX BK ZC THD LCK	[7]
9	L08812336	2	Dichtscheibe	[8]
10		4	Bearing-Flange-14x16x17mm	[4]
11		2	Bushing	[2]
12	56116611	2	CABLE TIE MOUNT	
13		2	ROTOR WELDMENT	[7]
14		1	BRAKE MOUNT WELDT	[2]
15		1	Cable-brake	[3]
16		1	PIVOT BAR WELDMENT	[2]
17		1	BRAKE PEDAL WELDMENT	[6]
18		1	BRAKE BALANCE BAR WELDMENT	[2]
19		1	BRAKE PEDAL MOUNT WELDMENT	[6]
20		1	BRACKET-CALIPER-LEFT	[1]
21		1	BRACKET-CALIPER-RIGHT	[1]
22		1	BRAKE CABLE ARM WELDMENT	[6]
23	56365002	1	Pad, Gummi	[6]
24	56413024	1	Bremse rechts	
25	56413025	1	Bremsbeläge und Sattel	
26	56414089	2	LINK-BRAKE	
27	145 0452 000	4	NUT SELFLOCKING LOW M8 UNI7474 SS	[1]
28	9100001272	1	WASHER PLAIN M6X24 SS ISO7093 10 PCS SET	[6]
29		2	Nut Lock Hex M10 Low Ss Iso10511	[2]
30	9100001160	2	SCREW SHOUL 10X16 M8 ISO7379 10 PCS SET	
K1	56120257	1	CALIPER MOUNT KIT	[9]
K2	56120256	1	PEDAL KIT	[10]
K3	56120255	1	CABLE KIT	[11]
K4	56120254	1	ROTOR KIT	[12]
K5	56120251	1	BALANCE BAR KIT	[13]
K6	56117090	1	REAR BRAKE KIT	[14]

## Part Notes:

- [1] - K1
- [2] - K5
- [3] - K3
- [4] - K2  
K5
- [5] - K3  
K5
- [6] - K2
- [7] - K4
- [8] - GUARANTEE DATE EXPIRED  
K5
- [9] - K1 include pos. 1,20,21,27
- [10] - K2 include pos. 5,7,10,17,19, 22,23,28
- [11] - K3 include pos.3,4,6,15
- [12] - K4 include pos. 8,13
- [13] - K5 include pos. 2,5,6,9,10,11,14,16,18,29
- [14] - EXPIRED NO REPLACEMENT

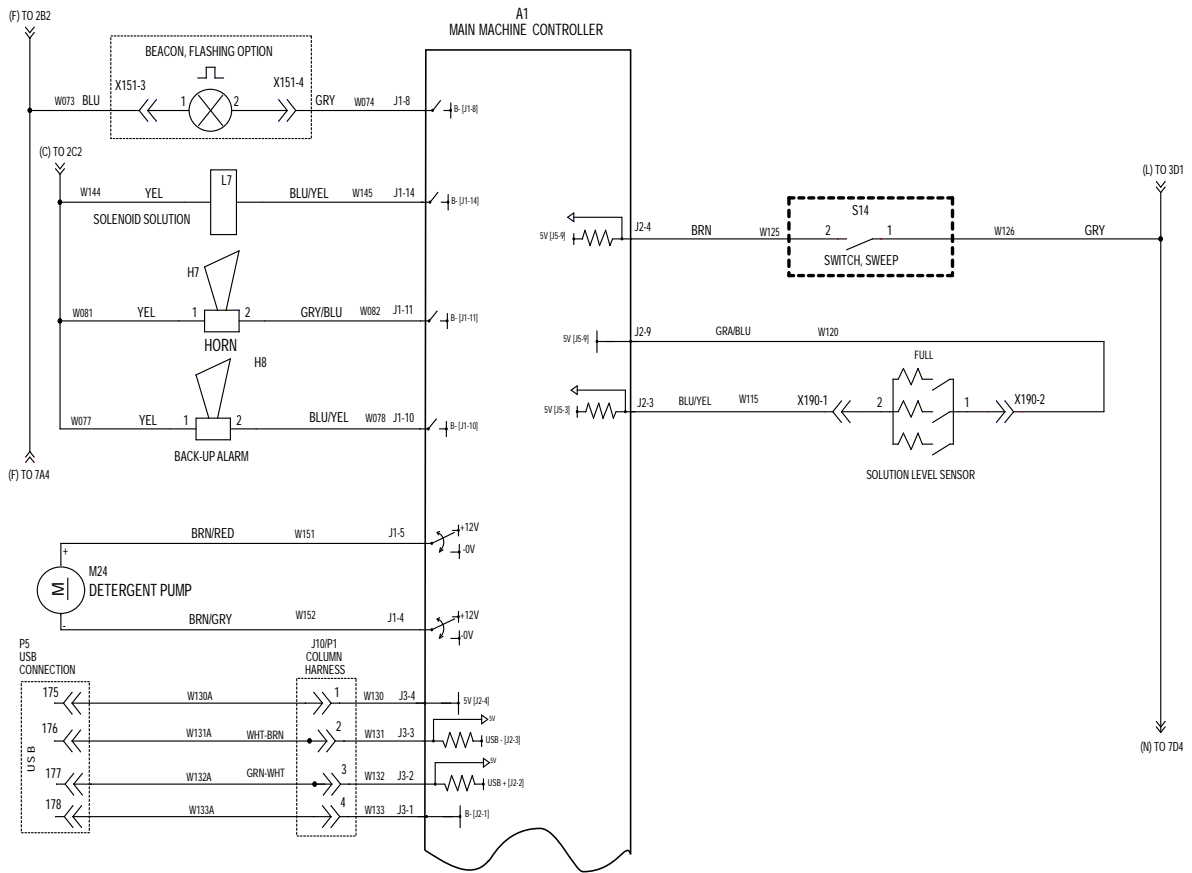


Pos.	Artikel-Nr.	Menge	Variante	Notes
A1	56117204	1		
A2	56116087	1	MODULE-HIGH POWER	
A4	56117418-SP	1	CONTROLLER-DRIVE BRUSHLESS DC	
A7	56117797	1		
A8	106440000	1		
A9	56117185	1	INTERFACE KIT	
A17	56116477	1	IBUTTON-PROBE	
BT3		1	Battery 36VDC	
CB1	56315255	1	CIRCUIT BREAKER 5 AMP	
CB2	56454429	1	CIRCUIT BREAKER 70A	
CB3	56315255	1	CIRCUIT BREAKER 5 AMP	
F1	56115432	1	FUSE-150 AMP	
F2		1	3 Amp Fuse	
F3		1	30 Amp Fuse	
F4		1	30 Amp Fuse	
F5		1	30 Amp Fuse	
F6		1	30 Amp Fuse	
F7		1	5 Amp Fuse	
F8		1	10 Amp Fuse	
F9		1	10 Amp Fuse	
F10		1	10 Amp Fuse	
F11		1	40 Amp Fuse	
F12		1	40 Amp Fuse	
H7	56116375	1	HORN-36V	
H8	56117416-SP	1	ALARM-BACK-UP-11-100V	
K1	40892A	1	Zweipoliges Umschalt-	
K2	56117840	1		
L7	56117898	1	SOLENOID VALVE KIT	
LP1	56383032	1	LIGHT-LED	
LP2	56383032	1	LIGHT-LED	
LP8	56117845-SP	1	BEACON-WARNING LED	
	56117622	1	LIGHT-DIRECTIONAL-BLUE	
	56117427-SP	1	SENSOR-LEVEL-CAPACITIVE	
M24	56110742	1	Chemie Pumpe 2	
M6	56117746	1		
M10	56117967	1		
M7	56117909	1	DISK DECK ACTUATOR KIT	
M7	56117919	1	CYLINDRICAL DECK ACTUATOR KIT	
M3	56117556	1		
M4	56116105	1	MOTOR-VACUUM 36VDC	
M1	56117323	1		
M2	56117450	1		
M5	56116105	1	MOTOR-VACUUM 36VDC	
M1	56117450	1		
M2	56117323	1		
M42	56117070-SP	1	DRIVE MOTOR	
R3	56123358-SP	1	PEDAL-UNI DIRECTION-HALL	
S14	56117842	1	SENSOR-PROXIMITY	
S21	56104247	1	DISCONNECT-EMERGENCY	
S22	7-82-00050	1	Sitzschalter BR 1300 S	
Y4	56120229	1	BRAKE-ELECTROMAGNETIC-LEVER	

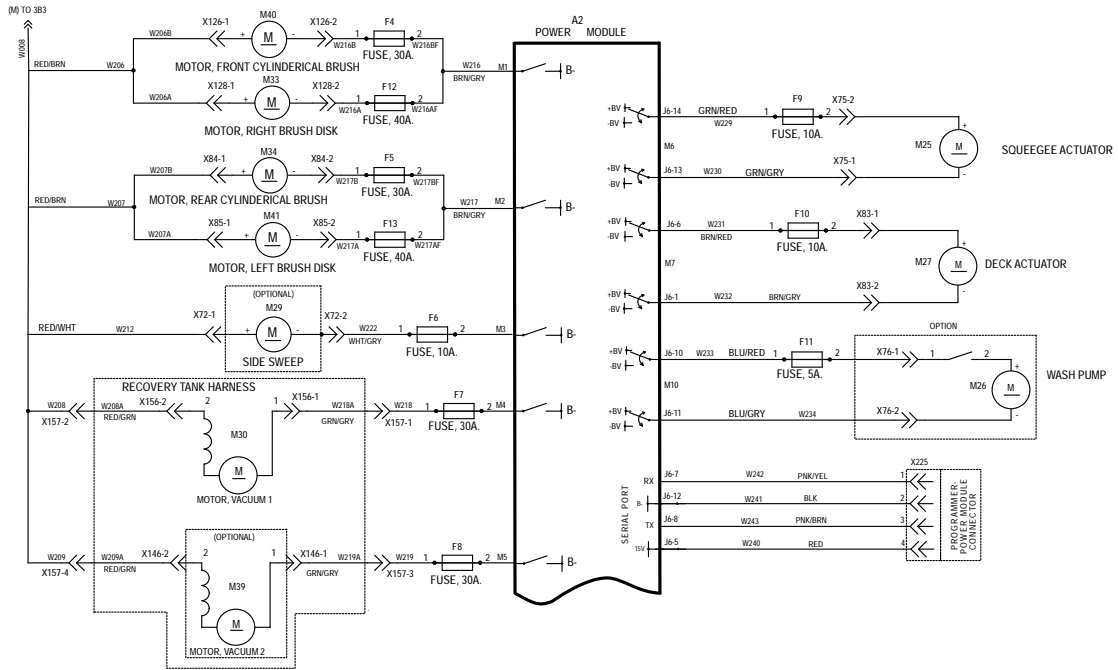


Pos.	Artikel-Nr.	Menge	Variante	Notes
A1	56117204	1		
A2	56116087	1	MODULE-HIGH POWER	
A4	56117418-SP	1	CONTROLLER-DRIVE BRUSHLESS DC	
A7	56117797	1		
A8	106440000	1		
A9	56117185	1	INTERFACE KIT	
A17	56116477	1	IBUTTON-PROBE	
BT3		1	Battery	
CB1	56315255	1	CIRCUIT BREAKER 5 AMP	
CB2	56454429	1	CIRCUIT BREAKER 70A	
CB3	56315255	1	CIRCUIT BREAKER 5 AMP	
F1	56115432	1	FUSE-150 AMP	
F2		1	3 Amp Fuse	
F3		1	30 Amp Fuse	
F4		1	30 Amp Fuse	
F5		1	30 Amp Fuse	
F6		1	30 Amp Fuse	
F7		1	5 Amp Fuse	
F8		1	10 Amp Fuse	
F9		1	10 Amp Fuse	
F10		1	10 Amp Fuse	
F11		1	40 Amp Fuse	
F12		1	40 Amp Fuse	
H7	56116375	1	HORN-36V	
H8	56117416-SP	1	ALARM-BACK-UP-11-100V	
K1	40892A	1	Zweipoliges Umschalt-	
K2	56117840	1		
L7	56117898	1	SOLENOID VALVE KIT	
LP1	56383032	1	LIGHT-LED	
LP2	56383032	1	LIGHT-LED	
LP8	56117845-SP	1	BEACON-WARNING LED	
	56117622	1	LIGHT-DIRECTIONAL-BLUE	
	56117427-SP	1	SENSOR-LEVEL-CAPACITIVE	
M24	56110742	1	Chemie Pumpe 2	
M6	56117746	1		
M10	56117967	1		
M7	56117909	1	DISK DECK ACTUATOR KIT	
M7	56117919	1	CYLINDRICAL DECK ACTUATOR KIT	
M3	56117556	1		
M4	56116105	1	MOTOR-VACUUM 36VDC	
M1	56117323	1		
M2	56117450	1		
M5	56116105	1	MOTOR-VACUUM 36VDC	
M1	56117450	1		
M2	56117323	1		
M42	56117070-SP	1	DRIVE MOTOR	
R3	56123358-SP	1	PEDAL-UNI DIRECTION-HALL	
S14	56117842	1	SENSOR-PROXIMITY	
S21	56104247	1	DISCONNECT-EMERGENCY	
S22	7-82-00050	1	Sitzschalter BR 1300 S	
Y4	56120229	1	BRAKE-ELECTROMAGNETIC-LEVER	

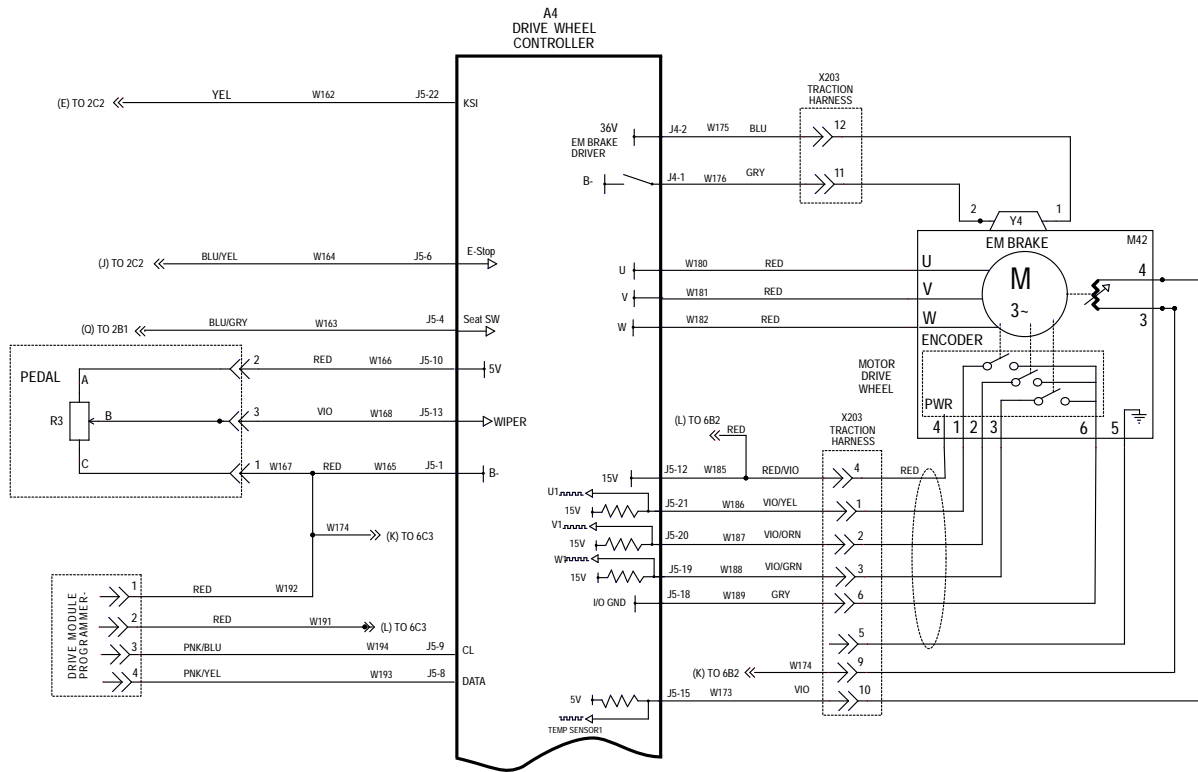




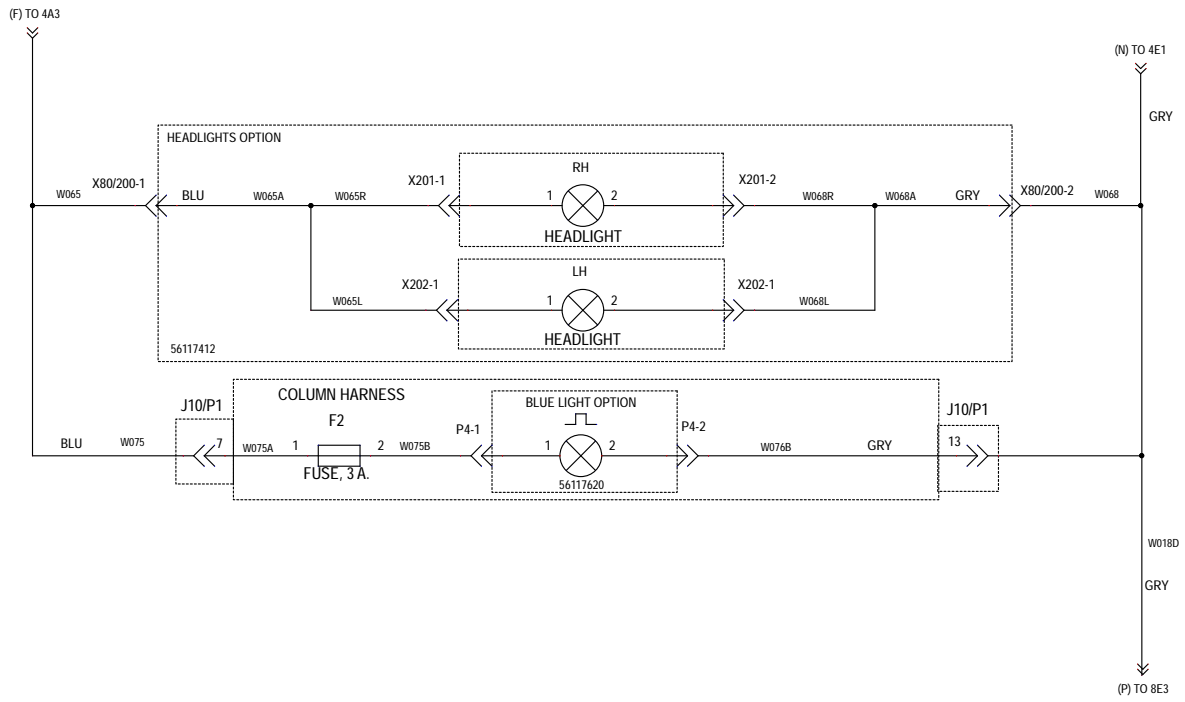
Pos.	Artikel-Nr.	Menge	Variante	Notes
A1	56117204	1		
A2	56116087	1	MODULE-HIGH POWER	
A4	56117418-SP	1	CONTROLLER-DRIVE BRUSHLESS DC	
A7	56117797	1		
A8	106440000	1		
A9	56117185	1	INTERFACE KIT	
A17	56116477	1	IBUTTON-PROBE	
BT3		1	Battery	
CB1	56315255	1	CIRCUIT BREAKER 5 AMP	
CB2	56454429	1	CIRCUIT BREAKER 70A	
CB3	56315255	1	CIRCUIT BREAKER 5 AMP	
F1	56115432	1	FUSE-150 AMP	
F2		1	3 Amp Fuse	
F3		1	30 Amp Fuse	
F4		1	30 Amp Fuse	
F5		1	30 Amp Fuse	
F6		1	30 Amp Fuse	
F7		1	5 Amp Fuse	
F8		1	10 Amp Fuse	
F9		1	10 Amp Fuse	
F10		1	10 Amp Fuse	
F11		1	40 Amp Fuse	
F12		1	40 Amp Fuse	
H7	56116375	1	HORN-36V	
H8	56117416-SP	1	ALARM-BACK-UP-11-100V	
K1	40892A	1	Zweipoliges Umschalt-	
K2	56117840	1		
L7	56117898	1	SOLENOID VALVE KIT	
LP1	56383032	1	LIGHT-LED	
LP2	56383032	1	LIGHT-LED	
LP8	56117845-SP	1	BEACON-WARNING LED	
	56117622	1	LIGHT-DIRECTIONAL-BLUE	
	56117427-SP	1	SENSOR-LEVEL-CAPACITIVE	
M24	56110742	1	Chemie Pumpe 2	
M6	56117746	1		
M10	56117967	1		
M7	56117909	1	DISK DECK ACTUATOR KIT	
M7	56117919	1	CYLINDRICAL DECK ACTUATOR KIT	
M3	56117556	1		
M4	56116105	1	MOTOR-VACUUM 36VDC	
M1	56117323	1		
M2	56117450	1		
M5	56116105	1	MOTOR-VACUUM 36VDC	
M1	56117450	1		
M2	56117323	1		
M42	56117070-SP	1	DRIVE MOTOR	
R3	56123358-SP	1	PEDAL-UNI DIRECTION-HALL	
S14	56117842	1	SENSOR-PROXIMITY	
S21	56104247	1	DISCONNECT-EMERGENCY	
S22	7-82-00050	1	Sitzschalter BR 1300 S	
Y4	56120229	1	BRAKE-ELECTROMAGNETIC-LEVER	



Pos.	Artikel-Nr.	Menge	Variante	Notes
A1	56117204	1		
A2	56116087	1	MODULE-HIGH POWER	
A4	56117418-SP	1	CONTROLLER-DRIVE BRUSHLESS DC	
A7	56117797	1		
A8	106440000	1		
A9	56117185	1	INTERFACE KIT	
A17	56116477	1	IBUTTON-PROBE	
BT3		1	Battery	
CB1	56315255	1	CIRCUIT BREAKER 5 AMP	
CB2	56454429	1	CIRCUIT BREAKER 70A	
CB3	56315255	1	CIRCUIT BREAKER 5 AMP	
F1	56115432	1	FUSE-150 AMP	
F2		1	3 Amp Fuse	
F3		1	30 Amp Fuse	
F4		1	30 Amp Fuse	
F5		1	30 Amp Fuse	
F6		1	30 Amp Fuse	
F7		1	5 Amp Fuse	
F8		1	10 Amp Fuse	
F9		1	10 Amp Fuse	
F10		1	10 Amp Fuse	
F11		1	40 Amp Fuse	
F12		1	40 Amp Fuse	
H7	56116375	1	HORN-36V	
H8	56117416-SP	1	ALARM-BACK-UP-11-100V	
K1	40892A	1	Zweipoliges Umschalt-	
K2	56117840	1		
L7	56117898	1	SOLENOID VALVE KIT	
LP1	56383032	1	LIGHT-LED	
LP2	56383032	1	LIGHT-LED	
LP8	56117845-SP	1	BEACON-WARNING LED	
	56117622	1	LIGHT-DIRECTIONAL-BLUE	
	56117427-SP	1	SENSOR-LEVEL-CAPACITIVE	
M24	56110742	1	Chemie Pumpe 2	
M6	56117746	1		
M10	56117967	1		
M7	56117909	1	DISK DECK ACTUATOR KIT	
M7	56117919	1	CYLINDRICAL DECK ACTUATOR KIT	
M3	56117556	1		
M4	56116105	1	MOTOR-VACUUM 36VDC	
M1	56117323	1		
M2	56117450	1		
M5	56116105	1	MOTOR-VACUUM 36VDC	
M1	56117450	1		
M2	56117323	1		
M42	56117070-SP	1	DRIVE MOTOR	
R3	56123358-SP	1	PEDAL-UNI DIRECTION-HALL	
S14	56117842	1	SENSOR-PROXIMITY	
S21	56104247	1	DISCONNECT-EMERGENCY	
S22	7-82-00050	1	Sitzschalter BR 1300 S	
Y4	56120229	1	BRAKE-ELECTROMAGNETIC-LEVER	

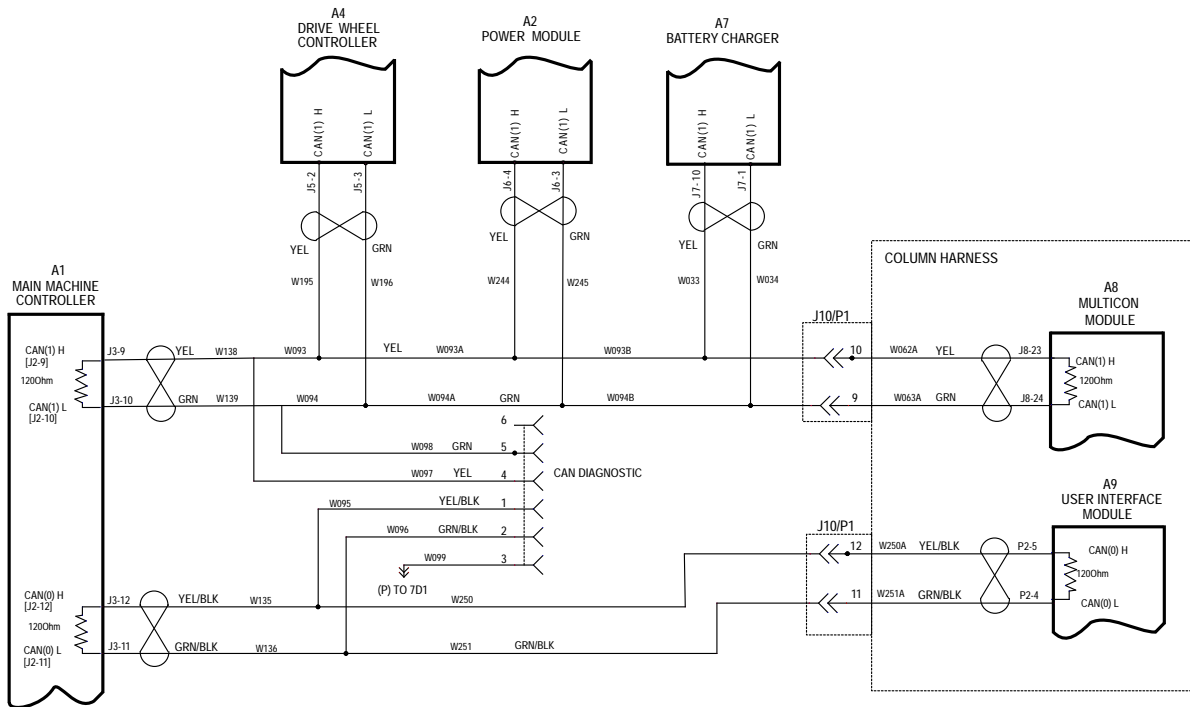


Pos.	Artikel-Nr.	Menge	Variante	Notes
A1	56117204	1		
A2	56116087	1	MODULE-HIGH POWER	
A4	56117418-SP	1	CONTROLLER-DRIVE BRUSHLESS DC	
A7	56117797	1		
A8	106440000	1		
A9	56117185	1	INTERFACE KIT	
A17	56116477	1	IBUTTON-PROBE	
BT3		1	Battery	
CB1	56315255	1	CIRCUIT BREAKER 5 AMP	
CB2	56454429	1	CIRCUIT BREAKER 70A	
CB3	56315255	1	CIRCUIT BREAKER 5 AMP	
F1	56115432	1	FUSE-150 AMP	
F2		1	3 Amp Fuse	
F3		1	30 Amp Fuse	
F4		1	30 Amp Fuse	
F5		1	30 Amp Fuse	
F6		1	30 Amp Fuse	
F7		1	5 Amp Fuse	
F8		1	10 Amp Fuse	
F9		1	10 Amp Fuse	
F10		1	10 Amp Fuse	
F11		1	40 Amp Fuse	
F12		1	40 Amp Fuse	
H7	56116375	1	HORN-36V	
H8	56117416-SP	1	ALARM-BACK-UP-11-100V	
K1	40892A	1	Zweipoliges Umschalt-	
K2	56117840	1		
L7	56117898	1	SOLENOID VALVE KIT	
LP1	56383032	1	LIGHT-LED	
LP2	56383032	1	LIGHT-LED	
LP8	56117845-SP	1	BEACON-WARNING LED	
	56117622	1	LIGHT-DIRECTIONAL-BLUE	
	56117427-SP	1	SENSOR-LEVEL-CAPACITIVE	
M24	56110742	1	Chemie Pumpe 2	
M6	56117746	1		
M10	56117967	1		
M7	56117909	1	DISK DECK ACTUATOR KIT	
M7	56117919	1	CYLINDRICAL DECK ACTUATOR KIT	
M3	56117556	1		
M4	56116105	1	MOTOR-VACUUM 36VDC	
M1	56117323	1		
M2	56117450	1		
M5	56116105	1	MOTOR-VACUUM 36VDC	
M1	56117450	1		
M2	56117323	1		
M42	56117070-SP	1	DRIVE MOTOR	
R3	56123358-SP	1	PEDAL-UNI DIRECTION-HALL	
S14	56117842	1	SENSOR-PROXIMITY	
S21	56104247	1	DISCONNECT-EMERGENCY	
S22	7-82-00050	1	Sitzschalter BR 1300 S	
Y4	56120229	1	BRAKE-ELECTROMAGNETIC-LEVER	



Pos.	Artikel-Nr.	Menge	Variante	Notes
A1	56117204	1		
A2	56116087	1	MODULE-HIGH POWER	
A4	56117418-SP	1	CONTROLLER-DRIVE BRUSHLESS DC	
A7	56117797	1		
A8	106440000	1		
A9	56117185	1	INTERFACE KIT	
A17	56116477	1	IBUTTON-PROBE	
BT3		1	Battery	
CB1	56315255	1	CIRCUIT BREAKER 5 AMP	
CB2	56454429	1	CIRCUIT BREAKER 70A	
CB3	56315255	1	CIRCUIT BREAKER 5 AMP	
F1	56115432	1	FUSE-150 AMP	
F2		1	3 Amp Fuse	
F3		1	30 Amp Fuse	
F4		1	30 Amp Fuse	
F5		1	30 Amp Fuse	
F6		1	30 Amp Fuse	
F7		1	5 Amp Fuse	
F8		1	10 Amp Fuse	
F9		1	10 Amp Fuse	
F10		1	10 Amp Fuse	
F11		1	40 Amp Fuse	
F12		1	40 Amp Fuse	
H7	56116375	1	HORN-36V	
H8	56117416-SP	1	ALARM-BACK-UP-11-100V	
K1	40892A	1	Zweipoliges Umschalt-	
K2	56117840	1		
L7	56117898	1	SOLENOID VALVE KIT	
LP1	56383032	1	LIGHT-LED	
LP2	56383032	1	LIGHT-LED	
LP8	56117845-SP	1	BEACON-WARNING LED	
	56117622	1	LIGHT-DIRECTIONAL-BLUE	
	56117427-SP	1	SENSOR-LEVEL-CAPACITIVE	
M24	56110742	1	Chemie Pumpe 2	
M6	56117746	1		
M10	56117967	1		
M7	56117909	1	DISK DECK ACTUATOR KIT	
M7	56117919	1	CYLINDRICAL DECK ACTUATOR KIT	
M3	56117556	1		
M4	56116105	1	MOTOR-VACUUM 36VDC	
M1	56117323	1		
M2	56117450	1		
M5	56116105	1	MOTOR-VACUUM 36VDC	
M1	56117450	1		
M2	56117323	1		
M42	56117070-SP	1	DRIVE MOTOR	
R3	56123358-SP	1	PEDAL-UNI DIRECTION-HALL	
S14	56117842	1	SENSOR-PROXIMITY	
S21	56104247	1	DISCONNECT-EMERGENCY	
S22	7-82-00050	1	Sitzschalter BR 1300 S	
Y4	56120229	1	BRAKE-ELECTROMAGNETIC-LEVER	





Pos.	Artikel-Nr.	Menge	Variante	Notes
A1	56117204	1		
A2	56116087	1	MODULE-HIGH POWER	
A4	56117418-SP	1	CONTROLLER-DRIVE BRUSHLESS DC	
A7	56117797	1		
A8	106440000	1		
A9	56117185	1	INTERFACE KIT	
A17	56116477	1	IBUTTON-PROBE	
BT3		1	Battery	
CB1	56315255	1	CIRCUIT BREAKER 5 AMP	
CB2	56454429	1	CIRCUIT BREAKER 70A	
CB3	56315255	1	CIRCUIT BREAKER 5 AMP	
F1	56115432	1	FUSE-150 AMP	
F2		1	3 Amp Fuse	
F3		1	30 Amp Fuse	
F4		1	30 Amp Fuse	
F5		1	30 Amp Fuse	
F6		1	30 Amp Fuse	
F7		1	5 Amp Fuse	
F8		1	10 Amp Fuse	
F9		1	10 Amp Fuse	
F10		1	10 Amp Fuse	
F11		1	40 Amp Fuse	
F12		1	40 Amp Fuse	
H7	56116375	1	HORN-36V	
H8	56117416-SP	1	ALARM-BACK-UP-11-100V	
K1	40892A	1	Zweipoliges Umschalt-	
K2	56117840	1		
L7	56117898	1	SOLENOID VALVE KIT	
LP1	56383032	1	LIGHT-LED	
LP2	56383032	1	LIGHT-LED	
LP8	56117845-SP	1	BEACON-WARNING LED	
	56117622	1	LIGHT-DIRECTIONAL-BLUE	
	56117427-SP	1	SENSOR-LEVEL-CAPACITIVE	
M24	56110742	1	Chemie Pumpe 2	
M6	56117746	1		
M10	56117967	1		
M7	56117909	1	DISK DECK ACTUATOR KIT	
M7	56117919	1	CYLINDRICAL DECK ACTUATOR KIT	
M3	56117556	1		
M4	56116105	1	MOTOR-VACUUM 36VDC	
M1	56117323	1		
M2	56117450	1		
M5	56116105	1	MOTOR-VACUUM 36VDC	
M1	56117450	1		
M2	56117323	1		
M42	56117070-SP	1	DRIVE MOTOR	
R3	56123358-SP	1	PEDAL-UNI DIRECTION-HALL	
S14	56117842	1	SENSOR-PROXIMITY	
S21	56104247	1	DISCONNECT-EMERGENCY	
S22	7-82-00050	1	Sitzschalter BR 1300 S	
Y4	56120229	1	BRAKE-ELECTROMAGNETIC-LEVER	

**No  
Diagram  
Available**

**Parts List  
Only**

Pos.	Artikel-Nr.	Menge	Variante	Notes
			Accessories	
	56117968	1	OVERHEAD GUARD KIT	
	56117658	1	SIDE BROOM KIT	
	56116355	1	VACUUM WAND KIT	
	56117870	1	ONBOARD CHARGER KIT-36V-EURO	
	56116358	1	SOLUTION AUTO FILL KIT	
	56117811	1	SCRUB N VAC TOOL KIT	
	56116359	1	BUMPER KIT-HEAVY DUTY-FRONT	
	56117956	1	SQUEEGEE GUARD KIT	
	56117869	1	FOOT GUARD KIT	
	56117865	1	DUAL VACUUM MOTOR KIT	
	56117862	1	HEADLIGHT KIT	
	56117906	1	WASH HOSE KIT	
	56117424	1	KIT ECOFLEX	
	56314981	1	Befüllungssystem-Kit 36V	
	56116619	1	MOP HOLDER KIT	
	56383189	1	ARM REST KIT-R/H ONLY	
	56117688	1	SEAT BELT KIT	
	56117893	1	DRAIN HOSE EXTENSION KIT-1.5IN	
	56117858	1	BLUE LIGHT KIT	
	56117868	1	MULTICONN KIT	[1]
			Options	
	56116518	1	SMART KEY-USER	
	56116519	1	SMART KEY-SUPERVISOR	
			Kits	
			860D Squeegee Blade Kits for 56116378	
	56116704	1	SQUEEGEE BLADE KIT-RED GUM J	[2]
	56116707	1	SQUEEGEE BLADE KIT-PU J	[2]
			Scrub System Side Blade Kit for Cylindrical Decks	
	56120476	1	SIDE BLADE KIT-32C/36C	
			Scrub System Side Blade Kit for Disc Decks	
	56120475	1	SIDE BLADE KIT-34D	
			860D Disc Scrub Brushes	
	56505780	2	Padhalter 430 mm	
	56505781	2	Bürste Magna Grit, hart Ø430 mm, 17"	
	56505782	2	Bürste Dyna Grit, mittel Ø430 mm, 17"	
	56505783	2	BÜRSTE AGLITE, WEICH Ø430, 17"	
	56505784	2	Bürste PPN hart Ø430 mm, 17"	
	56505785	2	Bürste PPN weich Ø430 mm, 17"	
	56505786	2	Bürste Union Mix Ø430 mm, 17"	
	56505787	2	Bürste Mid Grit 240, Ø430 mm, 17"	
	56505788	2	Bürste Mid Grit 180, Ø430 mm, 17"	
			810C Cylindrical Scrub Brushes	
	56407474	2	Bürstenwalze Nylon hart, Naturborsten	
	56407476	2	Bürstenwalze Mid Grit 180, mittel	
	56407477	2	Bürstenwalze Dyna Grit 80, hart	
	56407473	2	Bürstenwalze Nylon weich, gelb	
	56407475	2	Bürstenwalze PP, rot	
			910C Cylindrical Scrub Brushes	
	56117817	2	BRUSH-HARD NYLON 36IN	
	56117819	2	BRUSH-180 GRIT 36IN	
	56117820	2	BRUSH-80 GRIT 36IN	
	56117816	2	BRUSH-SOFT NYLON 36IN	
	56117818	2	BRUSH-POLYPROPYLENE 36IN	
	56117821	2	BRUSH 46 GRIT 36IN	
			Side Sweep Brush	
	56602119	1	Seitenbesen	

## Part Notes:

- [1] - HASH(0x92f8364)
- [2] - All squeegee blade kits include both front and rear squeegee blades

**No  
Diagram  
Available**

**Parts List  
Only**

# Recommended Spare Parts

SC5000 810C NIL

2021.05.05

2021.05.07

Pos.	Artikel-Nr.	Menge	Variante	Notes
			CHASSIS SYSTEM	
			Ordinary Maintenance	
O	56117889	1	SQUEEGEE ACTUATOR KIT	
O	56117891	1	STATIC STRAP KIT	
			STEERING CONTROL SYSTEM	
			Ordinary Maintenance	
O	56117921	1	SPROCKET KIT	
O	56117185	1	INTERFACE KIT	
O	56117436-SP	1	WHEEL-STEERING	
			ELECTRICAL SYSTEM	
			Ordinary Maintenance	
O	56117835	1	36V CONTACTOR KIT	
O	56117400-SP	1	HARNESS-MACHINE POWER	
O	56117401-SP	1	HARNESS-BATTERY POWER	
O	56117411-SP	1	HARNESS-TRACTION	
O	56117416-SP	1	ALARM-BACK-UP-11-100V	
O	56117417-SP	1	HARNESS-COLUMN	
O	56117418-SP	1	CONTROLLER-DRIVE BRUSHLESS DC	
O	56117202-SP	1	MAIN HARNESS	
O	56115432	1	FUSE-150 AMP	
O	56116087	1	MODULE-HIGH POWER	
O	56117465	1	CONTROLLER KIT	
O	56123358-SP	1	PEDAL-UNI DIRECTION-HALL	
O	40892A	1	Zweipoliges Umschalt-	
O	56315255	1	CIRCUIT BREAKER 5 AMP	
O	56454429	1	CIRCUIT BREAKER 70A	
			RECOVERY SYSTEM	
			Ordinary Maintenance	
O	56117990	1	RECOVERY TANK LID KIT	
O	56117991	1	FILTER COVER KIT	
O	56117992	1	FLOAT CAGE KIT	
O	56117993	1	VACUUM MOTOR KIT	
O	56117994	1	LOWER VACUUM EXHAUST PANEL KIT	
O	56117995	1	UPPER VACUUM EXHAUST PANEL KIT	
O	56117529-SP	1	DEBRIS TRAY	
O	56117530-SP	1	COVER-DEBRIS TRAY	
O	56117789-SP	1	HOSE ASSY-DRAIN-PU-1.5-BLACK	
O	56116537	1	Absaugschlauch	
O	56314372	1	Filtersieb	
O	56314373	1	Filterschwamm BR 700 S	
			SCRUB SYSTEM	
			Ordinary Maintenance	
O	56117362-SP	1	APPLICATOR TUBE ASSY-32 IN	
O	56117313-SP	1	HOPPER ASSEMBLY-32IN	
O	56117318-SP	1	IDLER ASSEMBLY-CYLINDRICAL	
O	56117564-SP	1	WASHER-BEARING	
O	56117565-SP	1	LUG-DRIVE END	
O	56117148-SP	1	RING-RET EXT-ROUND-45MM	
O	56117760-SP	1	HOUSING-CYLINDRICAL DRIVE	
O	56117878-SP	1	TUBE-APPLICATOR-36 CYL	
O	56117879-SP	1	36 CYL HOPPER ASSEMBLY	
O	56117214	1	RH STRAP KIT-DISK	
O	56117499-SP	1	ACTUATOR-DECK	
O	56117219	1	LH STRAP KIT-DISK	
O	56117238	1	RH STRAP KIT-CYL	
O	56117252	1	LH STRAP KIT-CYL	
			Ordinary Maintenance	
O	56117317-SP	1	CASTING-IDLER END-CYLINDRICAL	
O	56117458	1	HOPPER SCREEN KIT-32C/36C	

# Recommended Spare Parts

SC5000 810C NIL

2021.05.05

2021.05.07

Pos.	Artikel-Nr.	Menge	Variante	Notes
O	56117459	1	MOTOR KIT-CYL DECK	
O	56117460	1	LATCH KIT-CYL	
O	56117461	1	MOTOR SHEAVE KIT	
O	56117462	1	BELT AUTO TENSION KIT	
O	56117463	1	DRIVE SHEAVE KIT	
O	56117898	1	SOLENOID VALVE KIT	
O	56117899	1	UP STOP KIT	
O	56117900	1	32 CYL DECK WELDMENT KIT	
O	56117908	1	DISC SCRUB MOTOR KIT	
O	56117909	1	DISK DECK ACTUATOR KIT	
O	56117915	1	ROLLER KIT	
O	56117916	1	FRONT BLADE KIT	
O	56117917	1	RIGHT BRUSH PLATE KIT	
O	56117918	1	LEFT BRUSH PLATE KIT	
O	56117919	1	CYLINDRICAL DECK ACTUATOR KIT	
			Normal Wear	
			Disc Deck Blades	
W	56120475	1	SIDE BLADE KIT-34D	
			Cylindrical Deck Blades	
W	56120476	1	SIDE BLADE KIT-32C/36C	
			SOLUTION SYSTEM	
			Ordinary Maintenance	
O	56117457-SP	1	BOX-STORAGE	
O	56117184	1	SOLUTION TANK KIT	
O	56117925	1	BALL VALVE KIT	
O	56117926	1	WATER FILTER KIT	
O	56117929	1	COVER GASKET KIT	
O	56117936	1	DRIAN HOSE KIT	
			SQUEEGEE SYSTEM	
			Ordinary Maintenance	
O	56117356-SP	1	CASTER ASSEMBLY	
O	56117302-SP	1	KNOB-SQUEEGEE-M12	
O	56117489-SP	1	SQUEEGEE ARM WELDT	
O	56117988	1	ROD END KIT	
			Normal Wear	
W	56116704	1	SQUEEGEE BLADE KIT-RED GUM J	
W	56116707	1	SQUEEGEE BLADE KIT-PU J	
			REAR AND DRIVE WHEEL SYSTEM	
			Ordinary Maintenance	
O	56117070-SP	1	DRIVE MOTOR	
O	56117558-SP	1	BLOCK-BEARING	
O	56117874-SP	1	TENSIONER WELDMENT	
O	56120469	1	REAR WHEEL KIT	



**BRUSH SELECTOR GUIDE - DISC**

We provide brushes and pad holders that will give you the best possible performance between machine and floor. Following are descriptions of the materials and their applications.

- ProLite: Bristles are made from light-duty polypropylene for general scrubbing when you do not want to scratch or remove finish from the floor. Recommended for use in place of red pads.
- Prolene: Polypropylene material for medium-duty scrubbing on concrete, terrazzo and vinyl floor tile. Recommended for use in place of green or blue pads.
- Union Mix: Medium grade natural fibers for polishing finished floors with standard-speed equipment. Recommended for use in place of white pads.
- AgLite Grit 500: For light scrubbing when used wet; buffing or polishing when used dry on urethane coated, sealed concrete or other resilient hard surface floors. Recommended for use in place of red or white pads.
- MidGrit 240: For general purpose scrubbing when you need a lighter action for sealed or unsealed concrete, stone, terrazzo, quarry tile and other resilient hard floor surfaces. Recommended for use in place of green or blue pads.
- MidLite Grit 180: For general purpose scrubbing of sealed or unsealed concrete, stone, terrazzo, quarry tile and other resilient hard floor surfaces. Recommended for use in place of green or blue pads.
- Dyna Grit 80: For aggressive, heavy-duty scrubbing or stripping of floors. Recommended for use in place of brown pads.
- Magna Grit 46: For extreme heavy-duty scrubbing or stripping of floors. This brush has extra large diameter silicon carbide grit impregnated synthetic bristles. Recommended for use in place of black pads.
- Short Trim
- Pad Holder: Made with a structural foam block and center ring for correct pad centering. It has a "shower feed" design for getting solution to the floor.

**SC5000 860D DISC BRUSHES**

- 56505780 - Pad Holder-17 3 Lug
- 56505781 - Disc Brush-17 Magnagrit 3 Lug
- 56505782 - Disc Brush-17 Dynagrit 3 Lug
- 56505783 - Disc Brush-17 Aglite 3 Lug
- 56505784 - Disc Brush-17 Prolene 3 Lug
- 56505785 - Disc Brush-17 Prolite 3 Lug
- 56505786 - Disc Brush-17 Union Mix 3 Lug
- 56505787 - Disc Brush-17 Midgrit 3 Lug
- 56505788 - Disc Brush-17 Midlite 3 Lug

**DISC BRUSH APPLICATION GUIDE (SUGGESTION ONLY)**

	46	80	180	240	500			Union
Application	Grit	Grit	Grit	Grit	Grit	Prolene	Prolite	Mix
<b>Stripping:</b>								
Concrete	X	X						
Terrazzo	X	X						
Ceramic/Quarry tile		X						
Vinyl tile		X						
<b>General Scrubbing:</b>								
Concrete	X	X	X	X		X		
Terrazzo			X	X	X	X		
Ceramic/Quarry tile			X	X	X	X		
Marble					X		X	
Vinyl tile			X		X	X		
Raised-rubber tile					X		X	
<b>Polishing:</b>								
Raised Disc Tile								X
Marble								X
Vinyl tile								X

Pos.	Artikel-Nr.	Menge	Variante	Notes
			SC5000 860D DISC BRUSHES	
	56505780		Padhalter 430 mm	
	56505781		Bürste Magna Grit, hart Ø430 mm, 17"	
	56505782		Bürste Dyna Grit, mittel Ø430 mm, 17"	
	56505783		BÜRSTE AGLITE, WEICH Ø430, 17"	
	56505784		Bürste PPN hart Ø430 mm, 17"	
	56505785		Bürste PPN weich Ø430 mm, 17"	
	56505786		Bürste Union Mix Ø430 mm, 17"	
	56505787		Bürste Mid Grit 240, Ø430 mm, 17"	
	56505788		Bürste Mid Grit 180, Ø430 mm, 17"	

**BRUSH SELECTOR GUIDE - CYLINDRICAL**

We provide brushes and pad holders that will give you the best possible performance between machine and floor. Following are descriptions of the materials and their applications.

- Soft Nylon: Least aggressive brush available. Used on soft-finish floors where a more aggressive brush would leave scratch marks, or in applications requiring very light cleaning.
- Stiff Nylon: Cleaning action similar to polypropylene. More durable and wear-resistant than polypropylene.
- Prolene: Low cost, yet effective in cleaning many common floor surfaces.
- MidLite Grit 180: Least aggressive grit brush. Used for daily cleaning of hard-finished floors.
- Dyna Grit 80: Medium aggressive grit brush. Good all-around brush for medium to heavy buildup removal. Can also be used for general stripping operations.
- Magna Grit 46: Most aggressive grit brush. Used primarily to clean heavy buildup on concrete floors in factories, or for heavy stripping of finish.

**SC5000 810C CYLINDRICAL BRUSHES**

- 56407474 - Brush Hard Nylon 32-Natural
- 56407476 - Brush 180 Grit 32-Blue/Grey
- 56407477 - Brush 80 Grit 32-Black
- 56407473 - Brush Soft Nylon 32-Yellow
- 56407475 - Brush Polypropylene 32-Red

**SC5000 910C CYLINDRICAL BRUSHES**

- 56117817 - Brush-Hard Nylon 36in
- 56117819 - Brush-180 Grit 36in
- 56117820 - Brush-80 Grit 36in
- 56117816 - Brush-Soft Nylon 36in
- 56117818 - Brush-Polypropylene 36in
- 56117821 - Brush 46 Grit 36in

**CYLINDRICAL BRUSH APPLICATION GUIDE (SUGGESTION ONLY)**

Application	46 Grit	80 Grit	180 Grit	Polypropylene	Stiff Nylon	Soft Nylon
<b>Stripping:</b>						
Concrete	X	X				
Terrazzo	X	X				
Ceramic/Quarry tile		X				
Vinyl tile		X				
<b>General Scrubbing:</b>						
Concrete	X	X	X	X	X	
Terrazzo			X	X	X	X
Ceramic/Quarry tile			X	X	X	X
Marble			X		X	X
Vinyl tile			X	X	X	X
Raised-rubber tile			X			X

Pos.	Artikel-Nr.	Menge	Variante	Notes
			SC5000 810C CYLINDRICAL BRUSHES	
	56407474		Bürstenwalze Nylon hart, Naturborsten	
	56407476		Bürstenwalze Mid Grit 180, mittel	
	56407477		Bürstenwalze Dyna Grit 80, hart	
	56407473		Bürstenwalze Nylon weich, gelb	
	56407475		Bürstenwalze PP, rot	
			SC5000 910C CYLINDRICAL BRUSHES	
	56117817		BRUSH-HARD NYLON 36IN	
	56117819		BRUSH-180 GRIT 36IN	
	56117820		BRUSH-80 GRIT 36IN	
	56117816		BRUSH-SOFT NYLON 36IN	
	56117818		BRUSH-POLYPROPYLENE 36IN	
	56117821		BRUSH 46 GRIT 36IN	

