

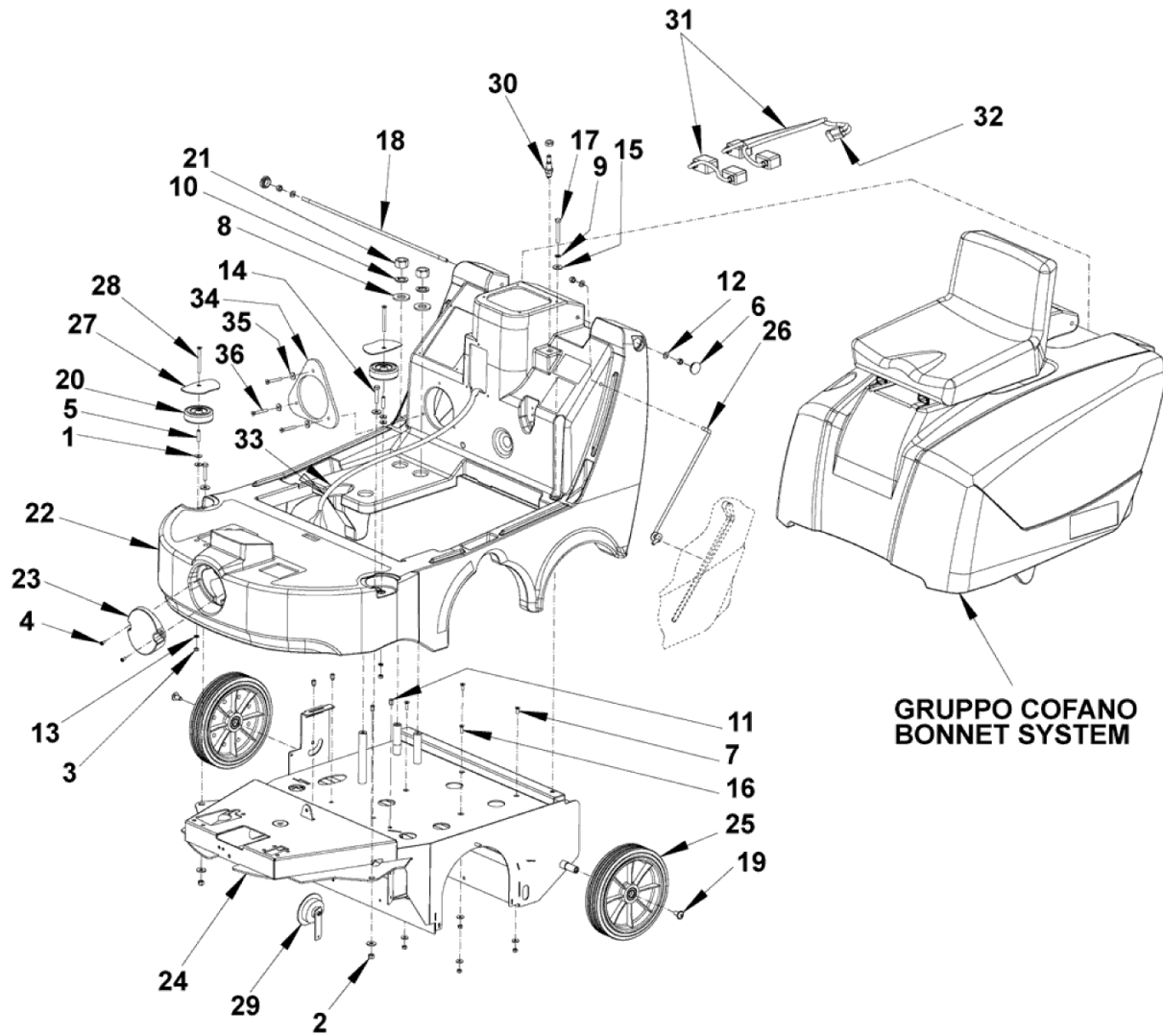
PARTS LIST



2022.06.02

TABLE OF CONTENTS

Chassis System	1
Bonnet System	4
Main Broom Assembly	6
Right-Left Hub Assemblies	8
Side Broom Assembly - before SN 062211241	10
Side Broom Assembly - from SN 062211241	13
Steering System - before SN 062211241	15
Steering System - from SN 062211241	18
Drive system - before SN 062211241	21
Drive system - from SN 062211241	23
Pedal Assemblies - before serial no. 051807363	26
Pedal Assemblies - after serial no. 051807363	28
Control Panel System	30
Transmission System	32
Reduction Motor Assembly	34
Dust Control System	36
Hopper System	38
Electrical Components	40
Decals	42
Accessories 1	44
Accessories 2	46
Accessories 3	48
Accessories 4	50
Zubehör 5	52
Recommended spare parts 1	54
Recommended spare parts 2	56
Electric Diagram	58

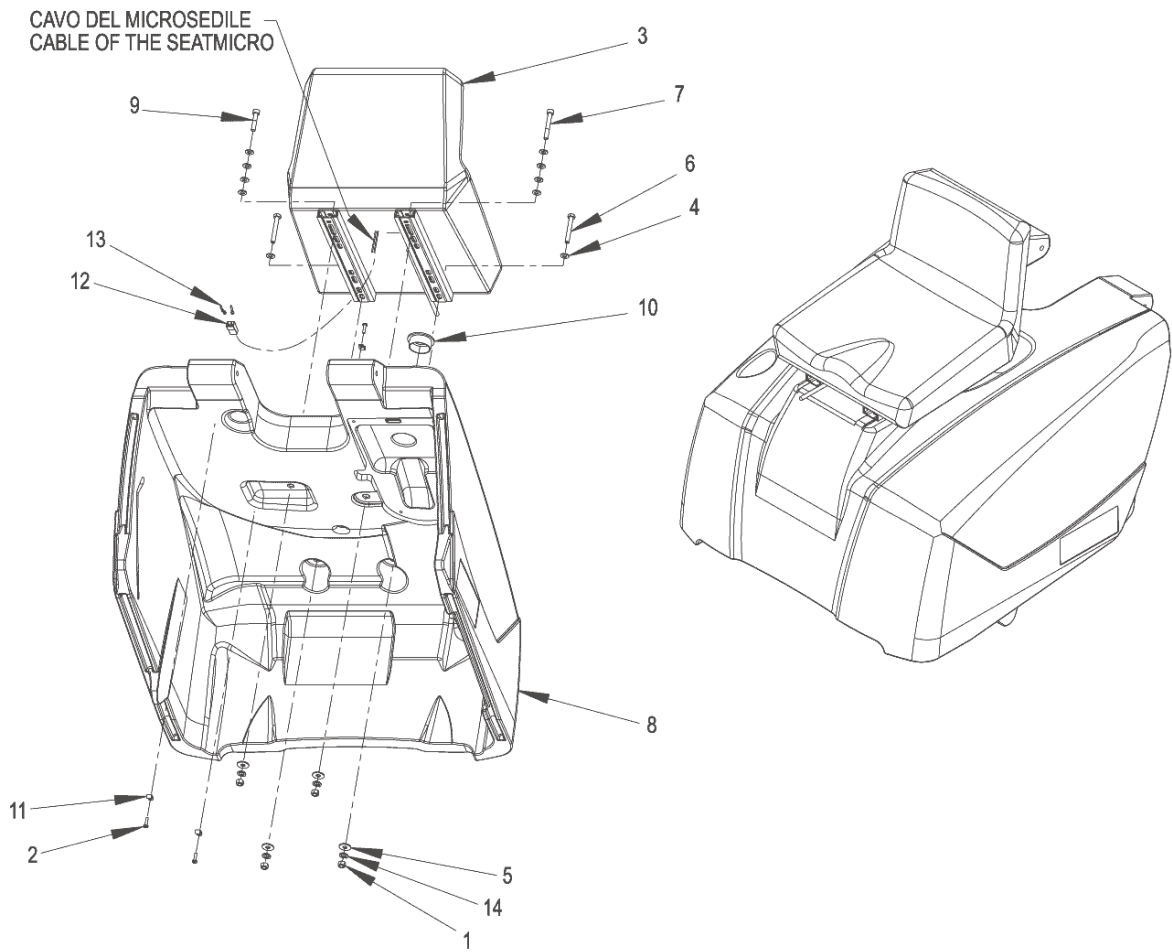


Pos.	Artikel-Nr.	Menge	Variante	Notes
1		4	WASHER FLAT M6X18	[1]
2		5	NUT SELF LOCKING M8	[2]
3		6	NUT SELF LOCKING M6	[3]
4		2	SCREW M5X10	[4]
5		2	SPACER	[5]
6	33023302	2	CAP BLACK SIP	
7		2	SCREW M6X16	[6]
8		2	WASHER FLAT M20X43	[7]
9		1	WASHER SPLIT M8	[8]
10		2	WASHER SPLIT M20	[9]
11		4	INSERT M6	[10]
12		3	WASHER FLAT M8X17	[11]
13		2	WASHER FLAT 6X12,5	[12]
14		2	SCREW M8X40	[13]
15		5	WASHER FLAT M8X24	[14]
16		2	SCREW M6X20	[15]
17		1	SCREW M8X60	[16]
18	146 0534 000	1	Stange f. Griff	
19		2	SCREW M10X20	[17]
20		2	ROLLER BUMPER	[18]
21		2	HEXAGONAL NUT M20	[19]
22	146 1681 000	1	CHASSIS ROTOMOLDED GREY	
23	1465168000	1	COVER MET. BLACK FRONT LIGHT	[20]
24	146 2965 000	1	Chassis	[21]
25	146 1899 000	2	Rad, hinten f. BA410/	
26	146 1900 000	1	Haltestange f.	
27	1467505000	2	PLATE COVER F ROLLER BUMPER BLACK SIP	[22]
28		2	SCREW M6X70	[23]
29	1467032000	1	HORN 24V 112DB SIP	
30	146 0565 000	1	Schalter zu Haube SW700/S	
31	1467533000	1	HARNESS BATTERY KIT	
31	9097590000	1	Batterieverbindungskabel	
32	146 1986 000	1	Ladestecker SB 120 rot	
33	146 2240 000	1	Kabelbaum	
34	146 3127 000	1	Dichtung	
35	33023224	1	WASHER PLAIN M10 ISO7089 10 PCS SET	
36	33004578	3	Schraube TPSEI 6x20	
K1	1464391000	1	HARDWARE CHASSIS SYST KIT	[24]
K2	1464392000	2	Abweisrollenkit	[25]

Part Notes:

- [1] - WASHER FLAT M6X18
- [2] - NUT SELF LOCKING M8
- [3] - NUT SELF LOCKING M6
- [4] - SCREW M5X10
- [5] - SPACER
- [6] - SCREW M6X16
- [7] - WASHER FLAT M20X43
- [8] - WASHER SPLIT M8
- [9] - WASHER SPLIT M20
- [10] - INSERT M6
- [11] - WASHER FLAT M8X17
- [12] - WASHER FLAT 6X12,5
- [13] - SCREW M8X40
- [14] - WASHER FLAT M8X24
- [15] - SCREW M6X20
- [16] - SCREW M8X60
- [17] - SCREW M10X20
- [18] - ROLLER BUMPER

- [19] - HEXAGONAL NUT M20
- [20] - STOCK COVERS GUARANTEE
- [21] - ITEM NO LONGER AVAILABLE
- [22] - PLATE
- [23] - SCREW M6X70
- [24] - NOT SHOWN (POS.2-3-4-7-8-9-10-11-12-13-14-15-16-17-19-21)
- [25] - NOT SHOWN (POS.1-3-5-13-20-27-28)



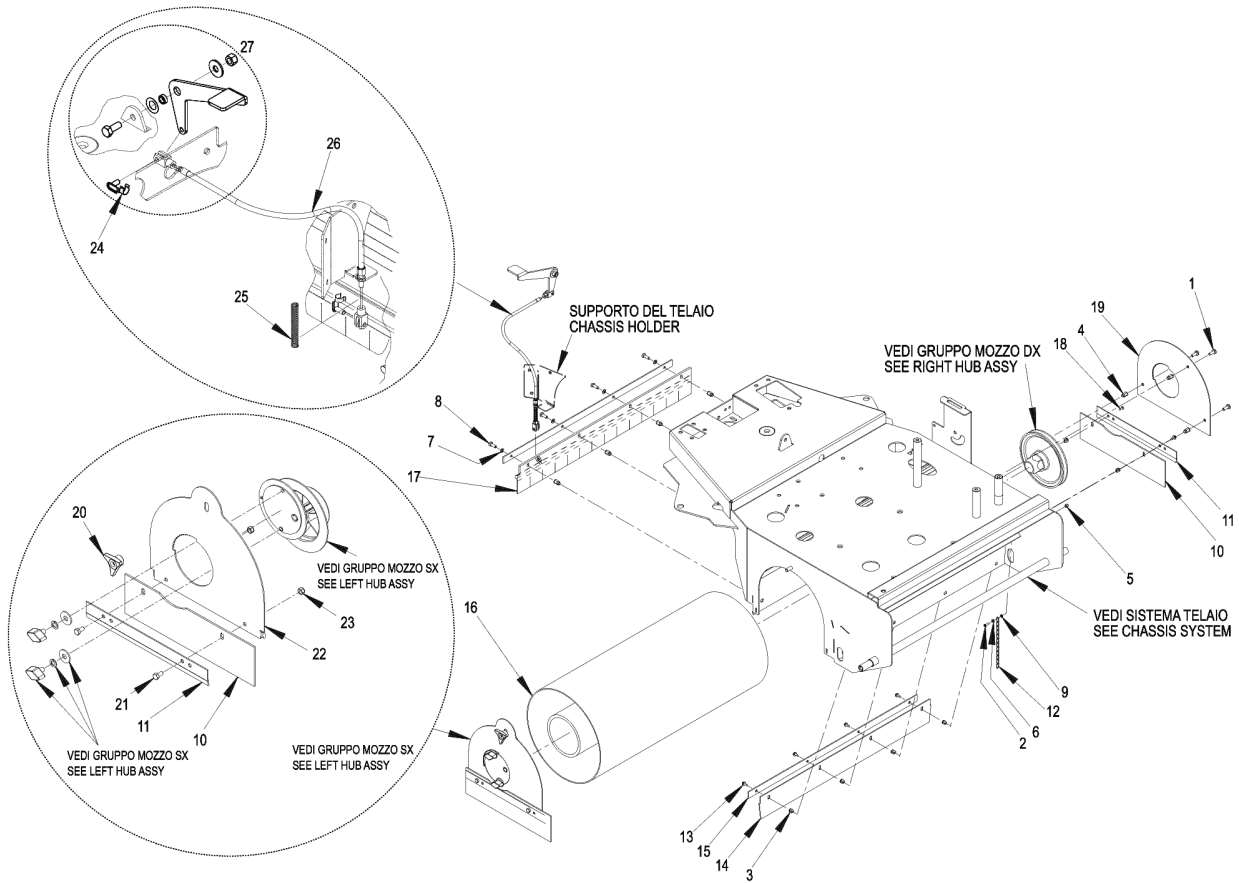
Pos.	Artikel-Nr.	Menge	Variante	Notes
1		4	NUT HEX. M8	[1]
2		3	SCREW 4.6X19.2	[2]
3	145 1782 000	1	Mikroschalter Sitz	
4		10	WASHER FLAT M8X17	[3]
5		4	WASHER FLAT M8X24	[4]
6		2	SCREW M8X60	[5]
7		1	SCREW M8X60	[5]
8	146 1682 000	1	Abdeckhaube	
9		1	SCREW M8X40	[6]
10	146 1970 000	1	Kappe	
11		3	CABLE CLAMP	[7]
12	145 3740 000	1	Steckergehäuse	
13	145 3733 000	1	Stecker	
14		4	WASHER SPLIT M8	[8]
16	1463241000	1	Sitzschalter	[9]
K1	1464393000	1	HARDWARE BONNET SYST KIT	[10]

Part Notes:

- [1] - NUT HEX. M8
- [2] - SCREW 4.6X19.2
- [3] - WASHER FLAT M8X17
- [4] - WASHER FLAT M8X24
- [5] - SCREW M8X60
- [6] - SCREW M8X40
- [7] - CABLE CLAMP
- [8] - WASHER SPLIT M8
- [9] - GUARANTEE DATE EXPIRED

NOT SHOWN - TSB IT 2007-012 -INST. INSTR. 1463243000

- [10] - NOT SHOWN (POS.1-2-4-5-6-7-9-11-14)

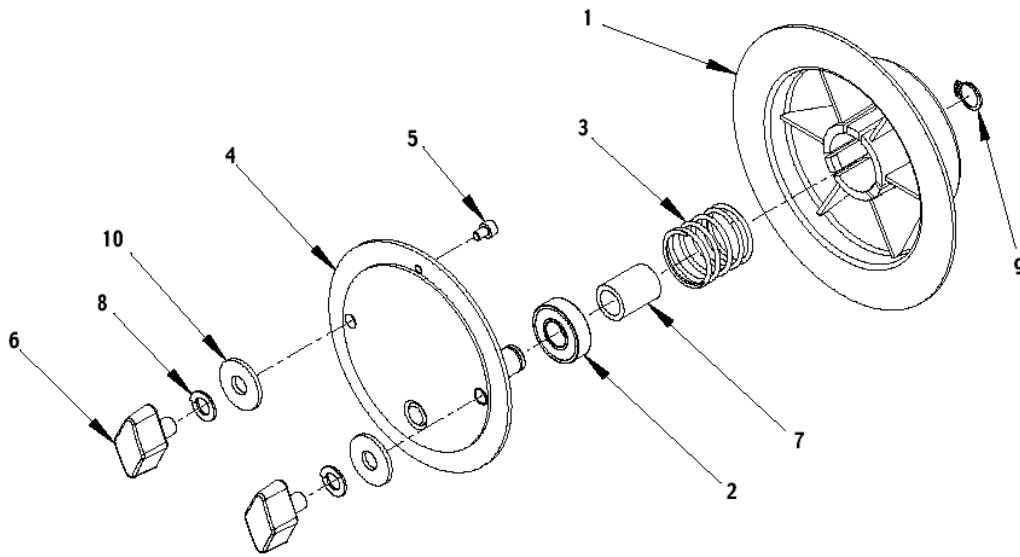


Pos.	Artikel-Nr.	Menge	Variante	Notes
1		3	SCREW M6X16	[1]
2		1	SCREW 4X12	[2]
3		6	NUT SCREW	[3]
4		7	INSERT M6	[4]
5		1	NUT SELFLOCKING M8	[5]
6		1	WASHER FLAT 4X9	[6]
7		4	WASHER SPLIT 6	[7]
8		4	SCREW M6X16	[1]
9		1	TOOTHED WASHER 4	[8]
10	146 0555 000	2	Seiten Gummi	
10	146 0587 000	2	Spritz Gummi seitlich	
11	146 0557 000	2	Seiten Gummistreifen	
12	146 0611 000	1	Kette	
13		5	SCREW 3,9X13	[9]
14	146 0743 000	1	Gummileiste, hinten	
14	146 0738 000	1	Spritz Gummi hinten	
15	146 0739 000	2	Halteschiene	
16	146 0748 000	1	Kehrwalze 265x600 mm, PP 0,7	
16	146 0749 000	1	Kehrwalze natur	[10]
16	146 0750 000	1	Kehrwalze 265x600 mm, Stahlmix	
16	146 0753 000	1	Kehrwalze 245x600 mm, f. Teppichr.	
17	146 0756 000	1	Spritz Gummi, vorne	
18		1	SCREW 3.9X13	[11]
19	146 2137 000	1	Klappe f. Hauptkehrwalze	
20	145 5035 000	1	Griffmutter M 8	
21		2	SCREW HEX. M6X12	[12]
22	1466363000	1	HATCH LT MET. GREY F MAIN BROOM SIP	
23		2	NUT HEX. SELFLOCK. M6	[13]
24	145 4536 000	2	Clips kurz M6	
25	145 1935 000	1	Spring	
26	145 1975 000	1	CABLE SKIRT RAIS.DEVICE	
27	146 2161 000	2	PEDAL SKIRT RAISING DEVICE KIT	
28	1464395000	1	Nabenkit, links	
29	1464396000	1	Nabenkit, rechts	
K1	1464394000	1	Befestigungskit	[14]

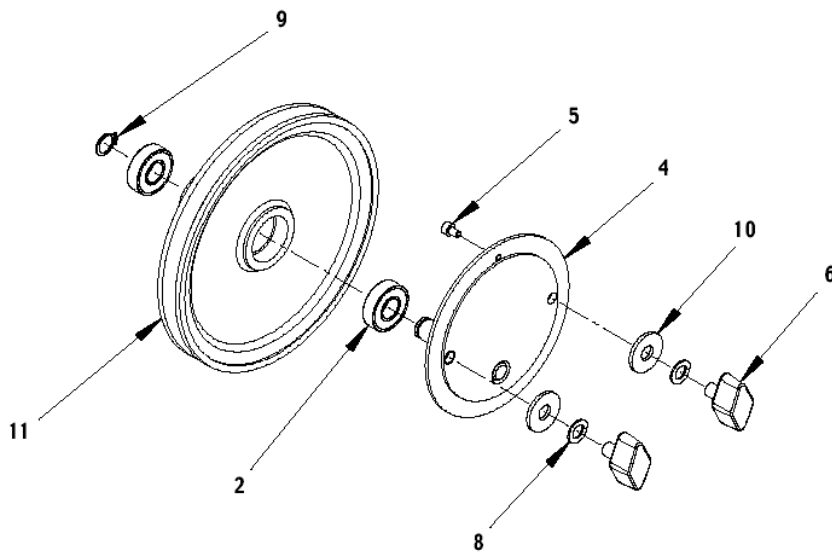
Part Notes:

- [1] - SCREW M6X16
- [2] - SCREW 4X12
- [3] - NUT SCREW
- [4] - INSERT M6
- [5] - NUT SELFLOCKING M8
- [6] - WASHER FLAT 4X9
- [7] - WASHER SPLIT 6
- [8] - TOOTHED WASHER 4
- [9] - SCREW 3,9X13
- [10] - PI 2015-001 TTY
- [11] - SCREW 3.9X13
- [12] - SCREW HEX. M6X12
- [13] - NUT HEX. SELFLOCK. M6
- [14] - NOT SHOWN (POS.1-2-3-4-5-6-7-8-9-13-18-21-23)

**KIT GRUPPO MOZZO SX
LEFT HUB ASSEMBLY KIT**



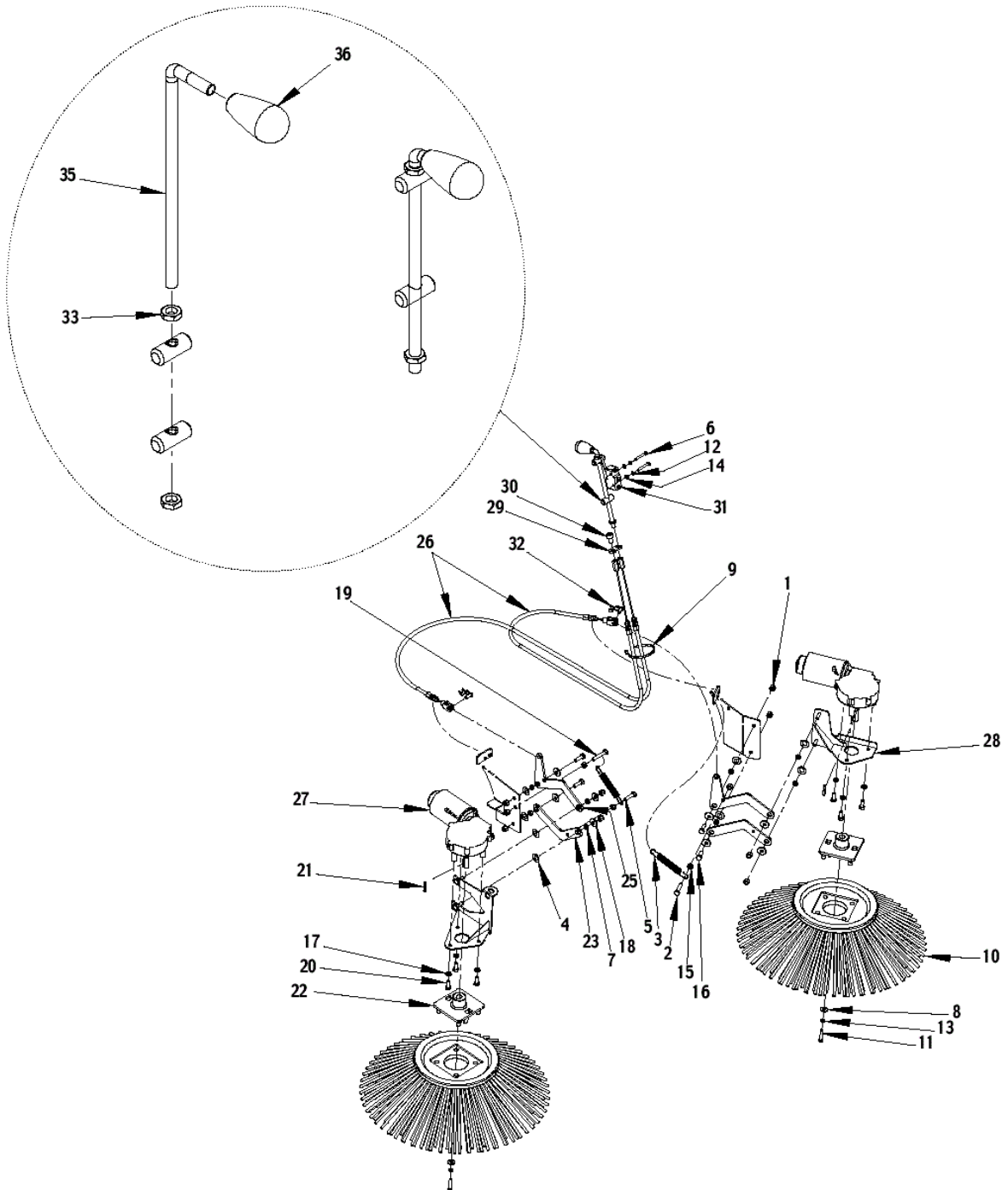
**KIT GRUPPO MOZZO DX
RIGHT HUB ASSEMBLY KIT**



Pos.	Artikel-Nr.	Menge	Variante	Notes
1		1	LEFT HUB	[1]
2		3	BALL BEARING	[2]
3		1	SPRING	[3]
4		2	PIN	[4]
5		2	SCREW HEX HD M4X6	[5]
6		4	KNOB	[6]
7		1	SPACER	[7]
8		4	WASHER	[8]
9		2	RETAINING RING	[9]
10		4	WASHER FLAT	[10]
11		1	PULLEY	[11]
K1	1464395000	1	Nabenkit, links	[12]
K2	1464396000	1	Nabenkit, rechts	[13]

Part Notes:

- [1] - LEFT HUB
- [2] - BALL BEARING
- [3] - SPRING
- [4] - PIN
- [5] - SCREW HEX HD M4X6
- [6] - KNOB
- [7] - SPACER
- [8] - WASHER
- [9] - RETAINING RING
- [10] - WASHER FLAT
- [11] - PULLEY
- [12] - NOT SHOWN (POS.1-2-3-4-5-6-7-8-9-10)
- [13] - NOT SHOWN (POS.2-4-5-6-8-9-10-11)

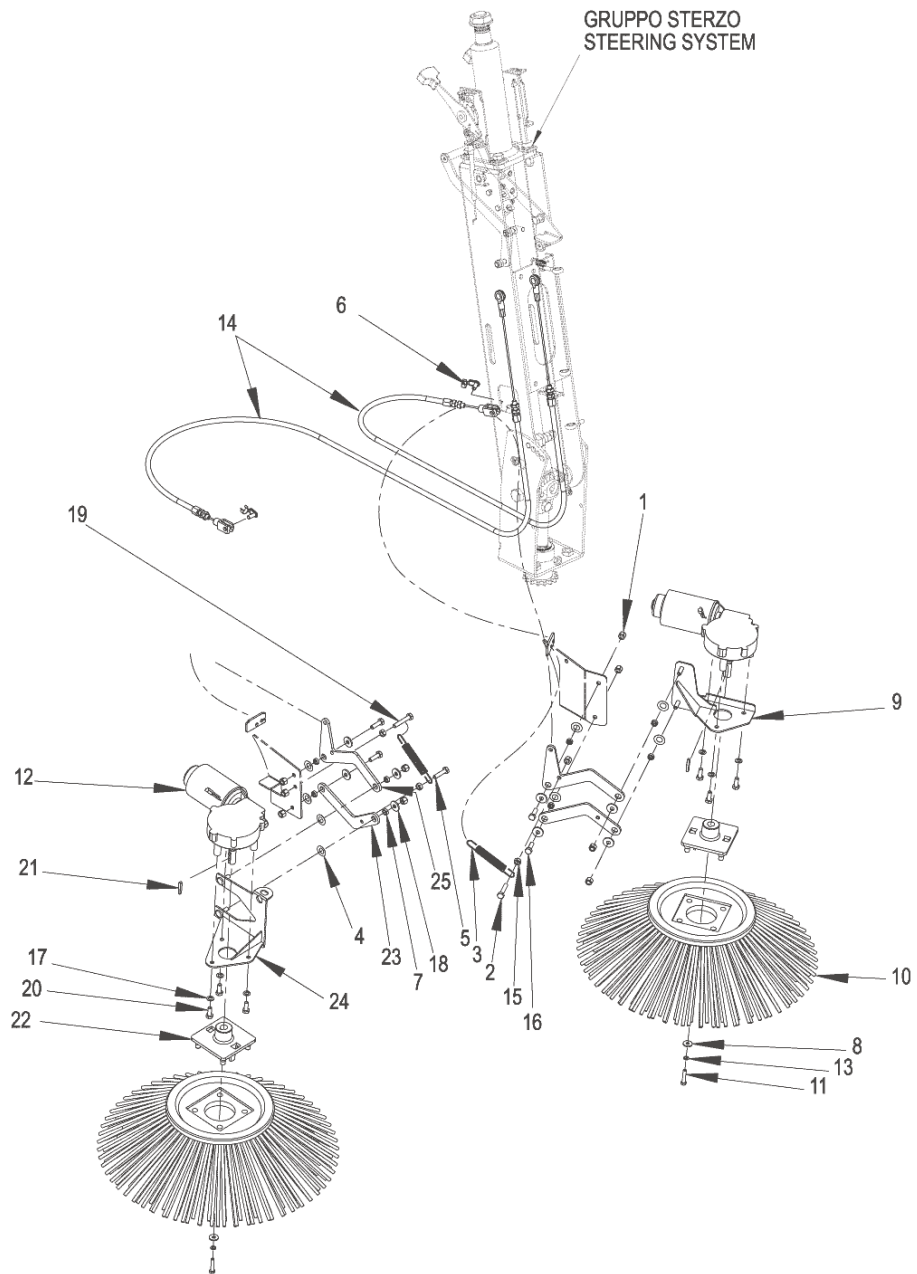


Pos.	Artikel-Nr.	Menge	Variante	Notes
1		10	NUT SELF LOCKING M6	[1]
2		1	SCREW M6X30	[2]
3	145 0274 000	2	Zugfeder	
4	145 1147 000	8	U-Scheibe	
5		1	SCREW M6X25	[3]
6		2	SCREW M4X30	[4]
7		8	SPACER	[5]
8		2	WASHER FLAT 5X15	[6]
9		1	CLAMP 3.6X140	[7]
10	145 4959 000	2	Seitenbesen 180x400 mm, Stahlmix	
10	146 0678 000	2	Seitenbesen 180x350 mm, Nylon	[8]
10	145 4976 000	2	Seitenbesen 180x400 mm, Naturborsten	[8]
10	145 1899 000	2	Seitenbesen PP 0,7 180x400 mm	[8]
11		2	SCREW M5X25	[9]
12		2	WASHER SPLIT	[10]
13		2	WASHER SPLIT	[10]
14		2	WASHER FLAT M4X9	[11]
15		3	NUT M6	[12]
16		4	SCREW M6X20	[13]
17		6	WASHER SPLIT	[10]
18		8	WASHER FLAT M6X18	[14]
19		1	SCREW M6X35	[15]
20		6	SCREW M6X16	[16]
21		2	KEY	[17]
22	146 0519 000	2	Flansch 12mm Seitenbesen	
23	146 0558 000	2	Arm Seitenbesen SW 700	
25	146 1894 000	2	Arm f. Seitenbesen	
26	146 1895 000	2	Seilzug	[18]
27	1464152000	2	Winkelgetriebe 60W 24V	
27	1464166000	1	Kohlebürsten-Kit	[19]
27	1464054000	1	Abdeckungskit f.	[20]
28	146 2972 000	1	Befestigung Seitenbesen	
29	146 2107 000	1	PLATE	[18]
30		1	SCREW M8X12	[21]
31	1466506000	1	MICROSWITCH 10A 250V PKD	
32	145 4536 000	2	Clips kurz M6	
33		2	NUT M8	[22]
35	146 1955 000	1	PIN	[18]
36	145 9319 000	1	KNOB M8	[18]
K1	146 2226 000	1	Befestigungskit f.	[23]

Part Notes:

- [1] - NUT SELF LOCKING M6
- [2] - SCREW M6X30
- [3] - SCREW M6X25
- [4] - SCREW M4X30
- [5] - SPACER
- [6] - WASHER FLAT 5X15
- [7] - CLAMP 3.6X140
- [8] - OPTIONAL
- [9] - SCREW M5X25
- [10] - WASHER SPLIT
- [11] - WASHER FLAT M4X9
- [12] - NUT M6
- [13] - SCREW M6X20
- [14] - WASHER FLAT M6X18
- [15] - SCREW M6X35
- [16] - SCREW M6X16
- [17] - KEY

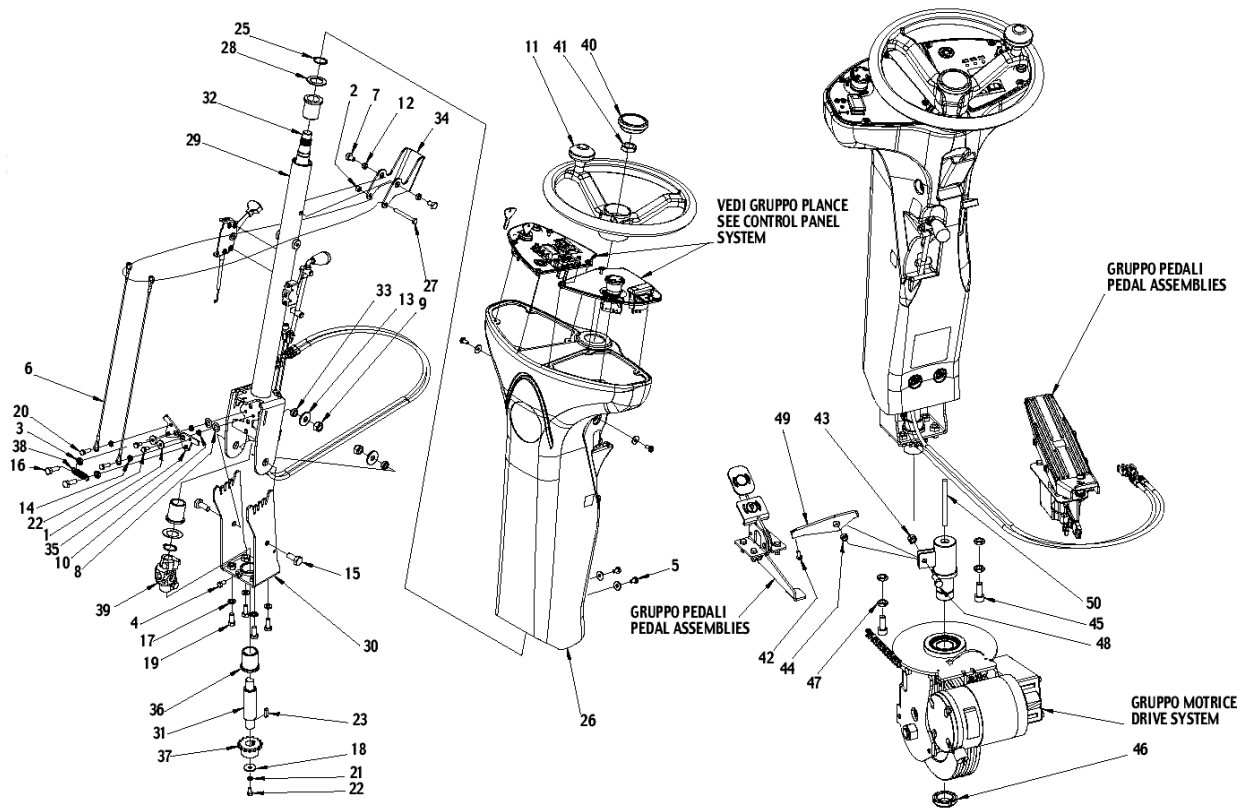
- [18] - GUARANTEE DATE EXPIRED
- [19] - NOT SHOWN - FOR NEW RED.GEAR MOT.1464152000
- [20] - GUARANTEE DATE EXPIRED
NOT SHOWN - FOR OLD RED.GEAR MOT.146 1897 000
See TSB IT 2009-033
- [21] - SCREW M8X12
- [22] - NUT M8
- [23] - GUARANTEE DATE EXPIRED
NOT SHOWN (POS.1-2-5-6-7-8-9-11-12-13-14-15-16-17-18-19-20-21-30-33)



Pos.	Artikel-Nr.	Menge	Variante	Notes
1		10	NUT SELF LOCKING M6	[1]
2		1	SCREW M6X30	[2]
3	145 0274 000	2	Zugfeder	
4	145 1147 000	8	U-Scheibe	
5		1	SCREW M6X25	[3]
6	145 4536 000	2	Clips kurz M6	
7		8	SPACER	[4]
8		2	WASHER FLAT 5X15	[5]
9	146 2972 000	1	Befestigung Seitenbesen	
10	145 4959 000	2	Seitenbesen 180x400 mm, Stahlmix	
10	145 1899 000	2	Seitenbesen PP 0,7 180x400 mm	[6]
10	145 4976 000	2	Seitenbesen 180x400 mm, Naturborsten	[6]
10	146 0678 000	2	Seitenbesen 180x350 mm, Nylon	[6]
11		2	SCREW M5X25	[7]
12	1464152000	2	Winkelgetriebe 60W 24V	[8]
12	1464166000	1	Kohlebürsten-Kit	[9]
12	1464054000	1	Abdeckungskit f.	[10]
13		2	WASHER SPLIT	[11]
14	146 2970 000	2	Kabel f. Seitenbesen	
15		3	NUT M6	[12]
16		4	SCREW M6X20	[13]
17		6	WASHER SPLIT	[11]
18		8	WASHER FLAT M6X18	[14]
19		1	SCREW M6X35	[15]
20		6	SCREW M6X16	[16]
21		2	KEY	[17]
22	146 0519 000	2	Flansch 12mm Seitenbesen	
23	146 0558 000	2	Arm Seitenbesen SW 700	
24	146 2971 000	1	Halterung f. Seitenbesen	
25	146 1894 000	2	Arm f. Seitenbesen	
K1	1464397000	1	Befestigungskit	[18]

Part Notes:

- [1] - NUT SELF LOCKING M6
- [2] - SCREW M6X30
- [3] - SCREW M6X25
- [4] - SPACER
- [5] - WASHER FLAT 5X15
- [6] - OPTIONAL
- [7] - SCREW M5X25
- [8] - FROM SN.092816281
- [9] - FOR NEW RED.GEAR MOT.1464152000
- [10] - FOR OLD RED.GEAR MOT.146 1897 000
GUARANTEE DATE EXPIRED
See TSB IT 2009-033
- [11] - WASHER SPLIT
- [12] - NUT M6
- [13] - SCREW M6X20
- [14] - WASHER FLAT M6X18
- [15] - SCREW M6X35
- [16] - SCREW M6X16
- [17] - KEY
- [18] - NOT SHOWN (POS.1-2-5-6-7-8-9-11-12-13-14-15-16-17-18-19-20-21-30-33)

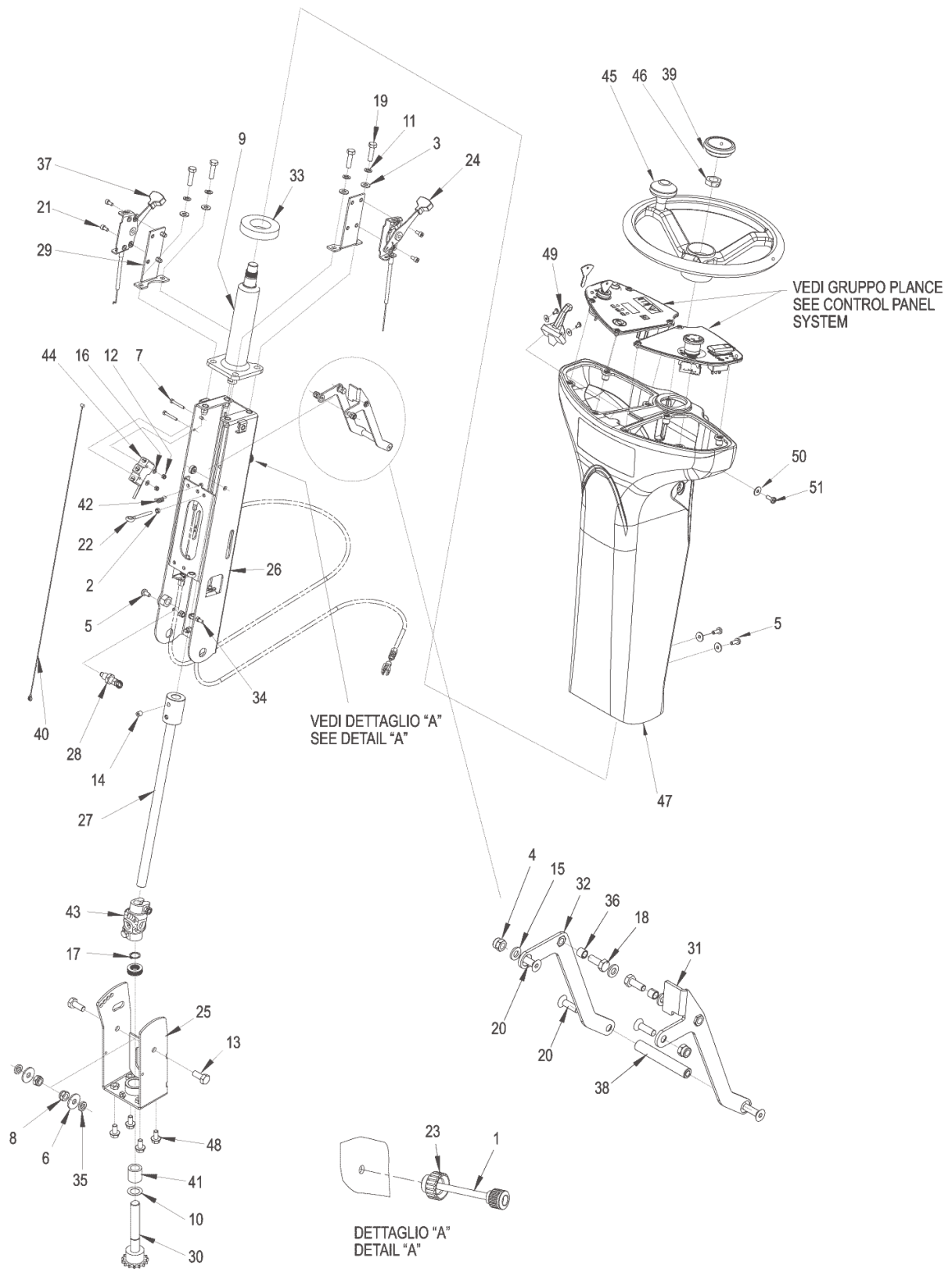


Pos.	Artikel-Nr.	Menge	Variante	Notes
1		6	WASHER M6X18	[1]
2		1	NUT SELF LOCKING M6	[2]
3		2	NUT M8	[3]
4		1	SCREW M6X16	[4]
5		4	SCREW M6X12	[5]
6	L08812362	2	Seilzug für BA 450/530	[6]
7		2	SCREW M8X12	[7]
8		2	SPRING	[8]
9		2	NUT SELFLOCKING M10	[9]
10		2	SPACER	[10]
11	146 2106 000	1	Lenkrad D. 320	
12		2	SPACER	[10]
13		2	WASHER M10X30	[11]
14		2	NUT M6	[12]
15		2	SCREW M10X25	[13]
16		2	SCREW M8X25	[14]
17	146 1886 000	1	PIN	[15]
18		1	WASHER M6X24	[16]
19		4	SCREW M8X16	[17]
20		2	SCREW M6X20	[18]
21		1	WASHER	[19]
22		3	SCREW M6X12	[5]
23		1	KEY	[20]
25		2	RETAINING RING	[21]
27		1	SCREW M6X55	[22]
28		1	SPACER	[10]
29	146 1906 000	1	Lenksäule	[15]
30	146 1907 000	1	Halterung f. Lenksäule	[15]
31	146 1908 000	1	Welle	[15]
32	146 1909 000	1	SHAFT STEERING PHOS.	[15]
33		2	SPACER	[10]
34	146 1911 000	1	LEVER	[15]
35	146 1912 000	2	Hebel	[15]
36	146 1913 000	3	Lager	[15]
37	145 2601 000	1	Kettenrad Z 15 3/8	[15]
38		1	SPRING	[8]
39	1466319000	1	JOINT UNIVERSAL D.17 PKD	
40	1467031000	1	CAP PKD	
41		1	NUT M8X1,5	[23]
42		1	SCREW M5X12 SS	[24]
43		1	NUT M8	[3]
44		1	SPACER	[10]
45		2	SCREW M10X25	[13]
46		1	NUT RING SELFLOCKING	[25]
47		4	NUT M10	[26]
48		1	SCREW M8X25	[14]
49	146 1885 000	1	Hebel	[15]
K1	146 2227 000	1	Reparaturkit Lenksäule SR 1000S	[15]

Part Notes:

- [1] - WASHER M6X18
- [2] - NUT SELF LOCKING M6
- [3] - NUT M8
- [4] - SCREW M6X16
- [5] - SCREW M6X12
- [6] - Till S/N 062211240
- [7] - SCREW M8X12
- [8] - SPRING
- [9] - NUT SELFLOCKING M10

- [10] - SPACER
- [11] - WASHER M10X30
- [12] - NUT M6
- [13] - SCREW M10X25
- [14] - SCREW M8X25
- [15] - GUARANTEE DATE EXPIRED
- [16] - WASHER M6X24
- [17] - SCREW M8X16
- [18] - SCREW M6X20
- [19] - WASHER
- [20] - KEY
- [21] - RETAINING RING
- [22] - SCREW M6X55
- [23] - NUT M8X1,5
- [24] - SCREW M5X12 SS
- [25] - NUT RING SELFLOCKING
- [26] - NUT M10

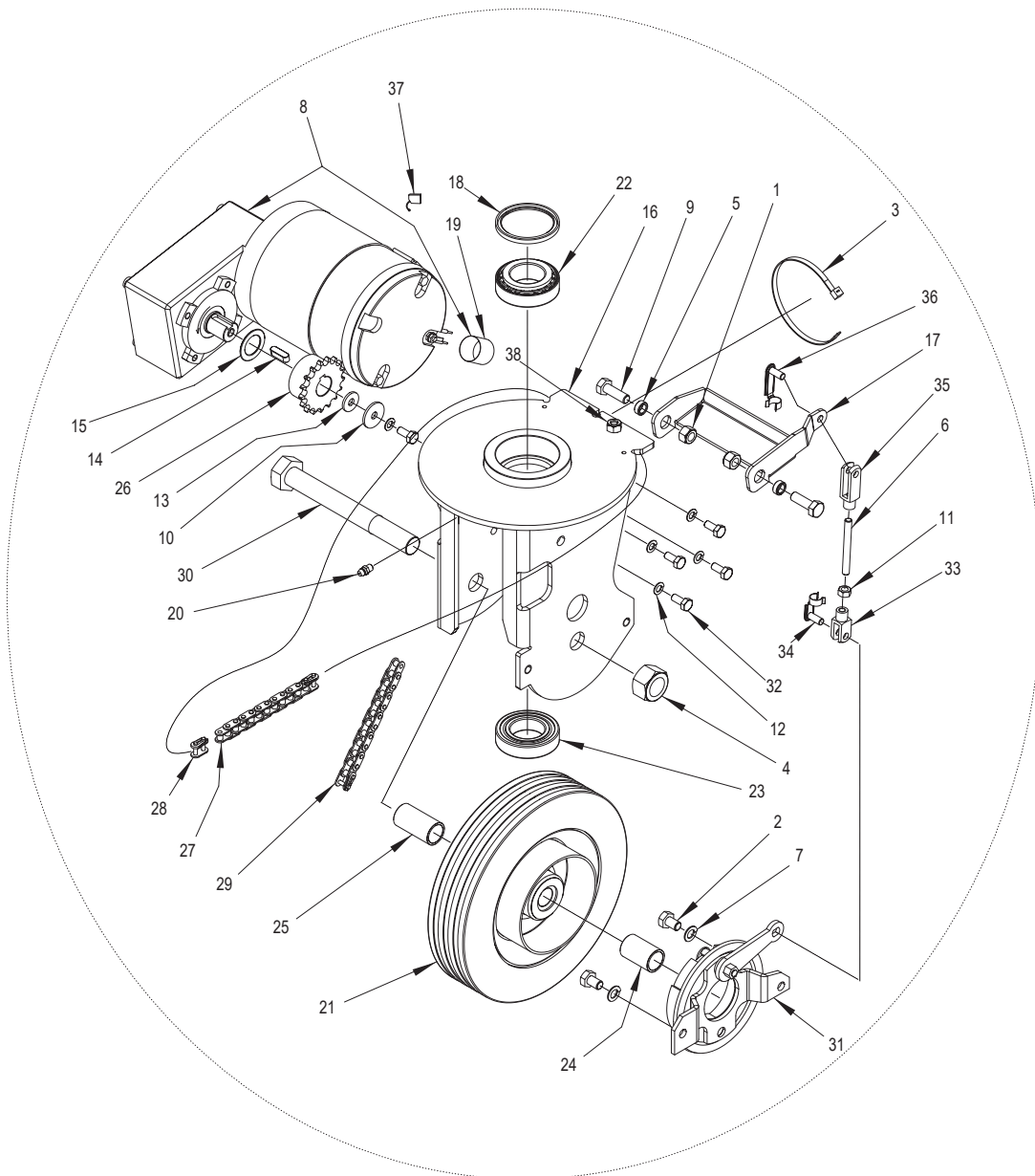


Pos.	Artikel-Nr.	Menge	Variante	Notes
1	145 1354 000	1	Rändelschraube M6x65	
2		4	NUT HEX M5	[1]
3		4	WASHER FLAT 8X17	[2]
4		3	NUT HEX SELFLOCK. M6	[3]
5		5	SCREW M6X12	[4]
6		2	WASHER FLAT 10X30	[5]
7		2	SCREW HEX HD M4X30	[6]
8		2	NUT	[7]
9	1466525000	1	COLUMN STEERING SIP	
10		7	SPRING	[8]
11		4	WASHER SPLIT 8	[9]
12		2	NUT	[7]
13		2	SCREW	[10]
14		1	SCR, SOC SET	[11]
15		3	WASHER FLAT 6X12,5	[12]
16		2	WASHER FLAT 4X9	[13]
17	9100001345	1	RING D 17 UNI7435 10 PCS SET	
18		2	SCREW HEX. HD M6X16	[14]
19		4	SCREW HEX HD M8X25	[15]
20		4	SCREW M6X20	[16]
21		4	SCREW M5X10	[17]
22	146 2450 000	1	Zugstange	
23	1466374000	1	KNOB KNURLED M6 FEMALE PKD	
24	146 2939 000	1	Seilzug f Feststellbremse	
25	146 2945 000	1	Halterung	
26	146 2947 000	1	STEERING COLUMN MET.	
27	146 2948 000	1	SHAFT STEERING UPPER KIT	
28	1466328000	1	PLUNGER M12 D.8 W/NUT PKD	
29	146 2951 000	2	SUPPORT VACUUM CABLE ZNT	
30	146 2953 000	1	SHAFT STEERING LOWER W/PINION PHOS.	
31	146 2954 000	1	Haltebügel	
32	146 2955 000	1	Führungswinkel, links	
33	146 2956 000	1	GASKET STEERING SYSTEM	
34	146 2957 000	2	Zugstange M 5X25	
35		2	SPACER	[18]
36	146 2959 000	2	Buchse	
37	146 2960 000	1	Bowdenzug	
38	146 2961 000	1	Griff f. Seitenbesen	
39	1467031000	1	CAP PKD	
40	1466327000	1	PLUNGER M12 W/CABLE KIT	[19]
41	145 9505 000	1	Buchse	
42	145 9290 000	1	Feder für Flap Sw 900	
43	1466319000	1	JOINT UNIVERSAL D.17 PKD	
44	1466506000	1	MICROSWITCH 10A 250V PKD	
45	146 2106 000	1	Lenkrad D. 320	
46		1	NUT HEX LOW M18X1.5	[20]
47	146 2906 000	1	Abdeckung	
48	146 2316 000	4	SCREW M8X16 HEX HD F/THD FLANG ISO1665	
49	146 2458 000	1	Hebel	
50		4	WASHER FLAT 6X18	[21]
51		4	SCR, PAN PHIL M6X16	[22]
K1	1464398000	1	BefestigungsKit	[23]

Part Notes:

- [1] - NUT HEX M5
- [2] - WASHER FLAT 8X17
- [3] - NUT HEX SELFLOCK. M6
- [4] - SCREW M6X12
- [5] - WASHER FLAT 10X30

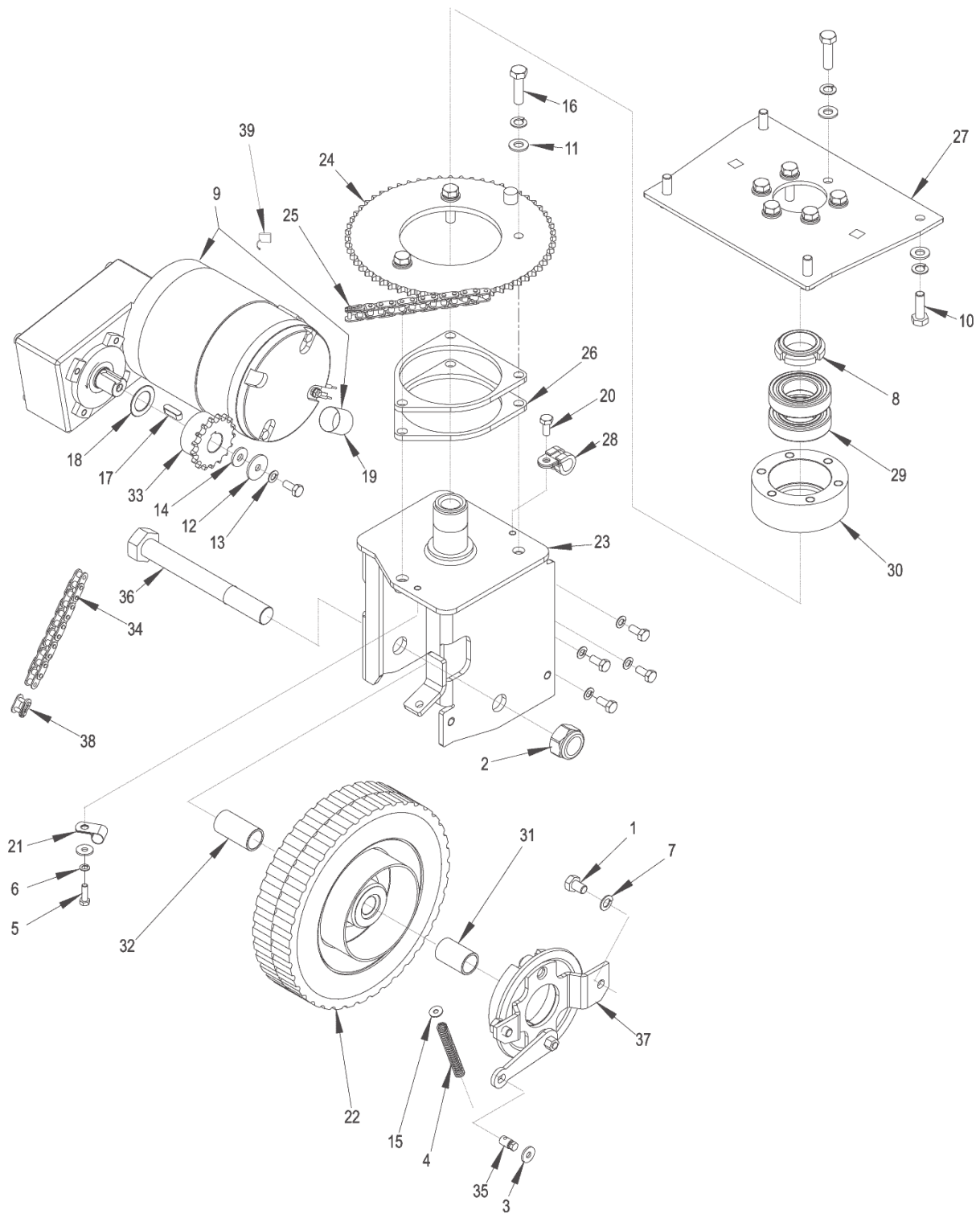
- [6] - SCREW HEX HD M4X30
- [7] - NUT
- [8] - SPRING
- [9] - WASHER SPLIT 8
- [10] - SCREW
- [11] - SCR, SOC SET
- [12] - WASHER FLAT 6X12,5
- [13] - WASHER FLAT 4X9
- [14] - SCREW HEX. HD M6X16
- [15] - SCREW HEX HD M8X25
- [16] - SCREW M6X20
- [17] - SCREW M5X10
- [18] - SPACER
- [19] - Included pos. 28
- [20] - NUT HEX LOW M18X1.5
- [21] - WASHER FLAT 6X18
- [22] - SCR, PAN PHIL M6X16
- [23] - NOT SHOWN (POS.1-2-3-4-5-6-7-8-10-11-12-13-14-15-16-18-19-20-21-35-46-50-51)



Pos.	Artikel-Nr.	Menge	Variante	Notes
1		2	NUT SELFLOCKING M8	[1]
2		2	SCREW M8X12	[2]
3	909 5896 000	1	Befestigung f. Schlauch	
4		1	NUT SELFLOCKING M18	[3]
5		2	SPACER	[4]
6	145 2529 000	1	Zugstange M6x55	[5]
7		2	WASHERSPLIT M8	[6]
8	146 2166 000	1	Motor mit GetriebeSR 1000 S B	
9		2	SCREW M8X25	[7]
10		1	WASHER FLAT M6X24	[8]
11		1	NUT M6	[9]
12		5	WASHER SPLIT 6	[10]
13		1	WASHER FLAT 6X18	[11]
14		1	KEY 6X6X20	[12]
15		1	SPACER	[4]
16	146 1926 000	1	SUPPORT FRONT WHEEL	[5]
17	146 1927 000	1	Halterung	[5]
18	146 1928 000	1	Dichtung	[5]
19	146 1929 000	1	Hülle	
20		1	GREASER NIPPLE M6	[13]
21	1463184000	1	Rad vorne SR 1000 SB	[14]
22	1467636000	1	BEARING TAPER ROLLER 32006 SIP	[15]
23	145 0225 000	1	Kugellager 6006/2RS1	
24	145 2574 000	1	Distanzscheibe	
25	145 2575 000	1	Distanzscheibe	
26	145 0221 000	1	Kettenrad Z 17 3/8-7/32	
27	145 2713 000	1	"Kette 3/8""	[16]
28	145 9604 000	1	"Kettenschloss kompl. 3/8""	[5]
29	145 0222 000	1	"Kette 3/8"" 35+FM+MG"	
30	145 2576 000	1	Stift	
31	1466518000	1	BRAKE FRONT WHEEL SIP	
32	1466517000	1	SCREW M6X14 HEX HD ISO4017 10 PCS SETSCREW M6X14	[17]
33	145 4535 000	1	Gabel M6	[5]
34	145 4536 000	1	Clips kurz M6	
35	1467516000	1	CLEVIS M6X24 GALV. DIN71752 SIP	
36	145 9410 000	1	Clip M 6	
37	1464432000	1	Kohle Kit 4 Stück	
38	8361400	1	NUT SELF L. M6 UNI7474	
K1	146 2229 000	1	Schraubensatz	[18]

Part Notes:

- [1] - NUT SELFLOCKING M8
- [2] - SCREW M8X12
- [3] - NUT SELFLOCKING M18
- [4] - SPACER
- [5] - GUARANTEE DATE EXPIRED
- [6] - WASHERSPLIT M8
- [7] - SCREW M8X25
- [8] - WASHER FLAT M6X24
- [9] - NUT M6
- [10] - WASHER SPLIT 6
- [11] - WASHER FLAT 6X18
- [12] - KEY 6X6X20
- [13] - GREASER NIPPLE M6
- [14] - TSB IT 2007-025
- [15] - Till S/N 06221124
- [16] - NO LONGER AVAILABLE
- [17] - STOCK COVERS GUARANTEE
- [18] - NOT SHOWN (POS.1-2-4-5-7-9-10-11-12-13-14-15-20-32-38)

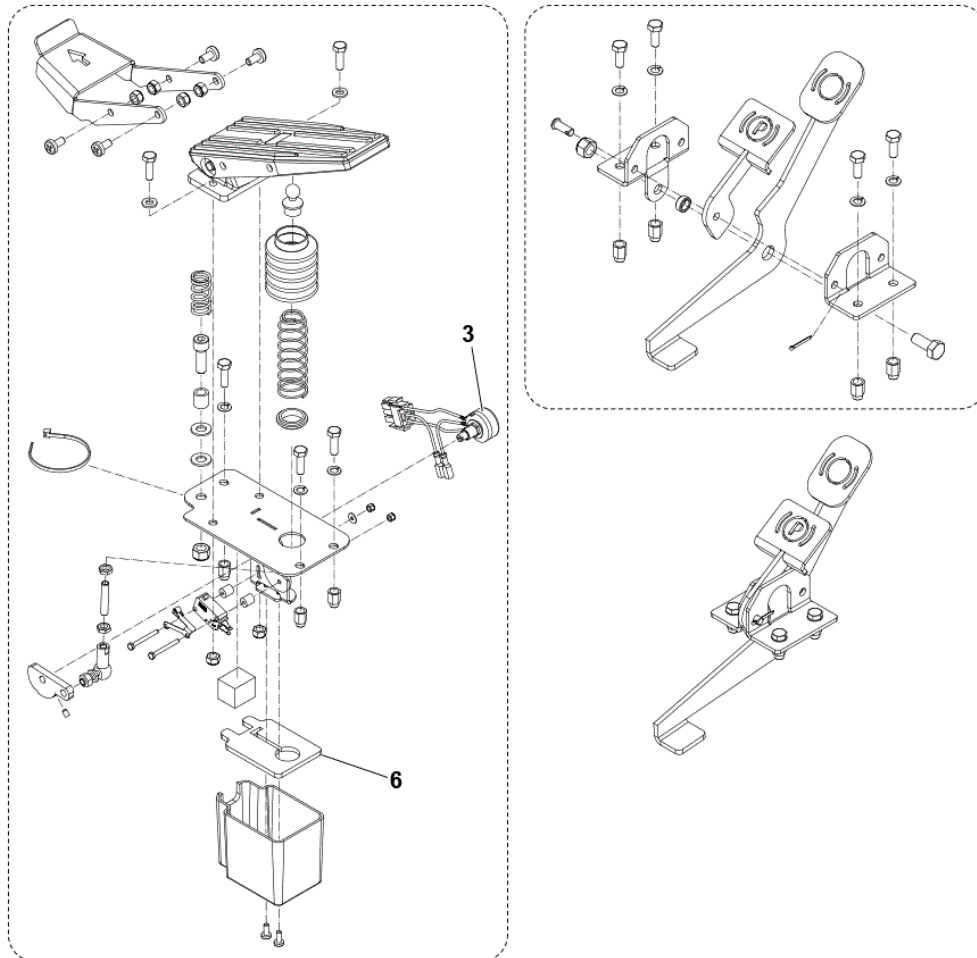


Pos.	Artikel-Nr.	Menge	Variante	Notes
1		2	SCREW M8X12	[1]
2		1	NUT SELFLOCKING M18	[2]
3		2	WASHER	[3]
4	1467850000	1	SPRING COMPRESSION D.E.9 WIRE D.1 SIP	
5		1	SCREW HEX HD M5X16	[4]
6		1	WASHER	[3]
7		15	WASHER SPLIT 8	[5]
8		1	NUT RING SELFLOCKING	[6]
9	146 2166 000	1	Motor mit GetriebeSR 1000 S B	
10		4	SCREW HEX HD M8X25	[7]
11		13	WASHER FLAT 8X17	[8]
12		1	WASHER FLAT 6X24	[9]
13		5	WASHER SPLIT 6	[10]
14		1	WASHER FLAT 6X18	[11]
15		1	WASHER FLAT 4X12	[12]
16		9	SCREW HEX HD M8X30	[13]
17		1	KEY	[14]
18		1	SPACER	[15]
19	146 1929 000	1	Hülle	
20		6	SCREW HEX HD 6X14	[16]
21	146 2417 000	1	Klammer	
22	1463184000	1	Rad vorne SR 1000 SB	[17]
23	1464456000	1	Halterung f. Antriebsrad	
24	146 2935 000	1	Zahnkranz	
25	145 1784 000	1	Kette 3/8-68	
26	146 2937 000	2	Distanzstück	
27	146 2938 000	1	Befestigungsplatte	
28	909 5896 000	1	Befestigung f. Schlauch	
29	145 0225 000	2	Kugellager 6006/2RS1	
30	145 2568 000	1	Flansch	
31	145 2574 000	1	Distanzscheibe	
32	145 2575 000	1	Distanzscheibe	
33	145 0221 000	1	Kettenrad Z 17 3/8-7/32	
34	145 0222 000	1	"Kette 3/8"" 35+FM+MG"	
35	145 9366 000	1	Kabelöse	
36	145 2576 000	1	Stift	
37	1466518000	1	BRAKE FRONT WHEEL SIP	
38	145 9604 000	1	"Kettenschloss kompl. 3/8""	[18]
39	1464432000	1	Kohle Kit 4 Stück	
K1	1464399000	1	Befestigungs-Kit f.	[19]

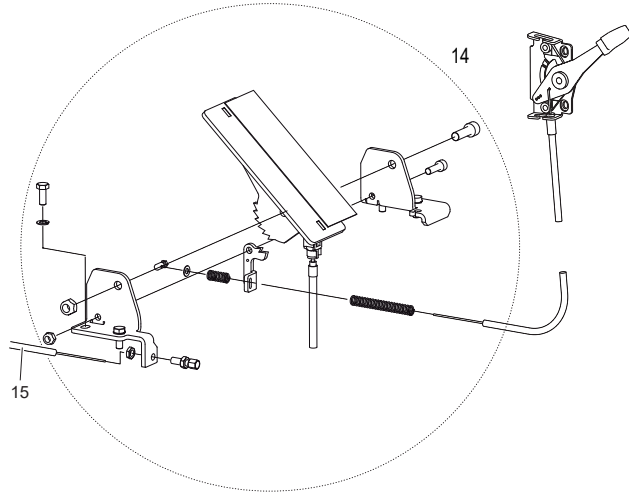
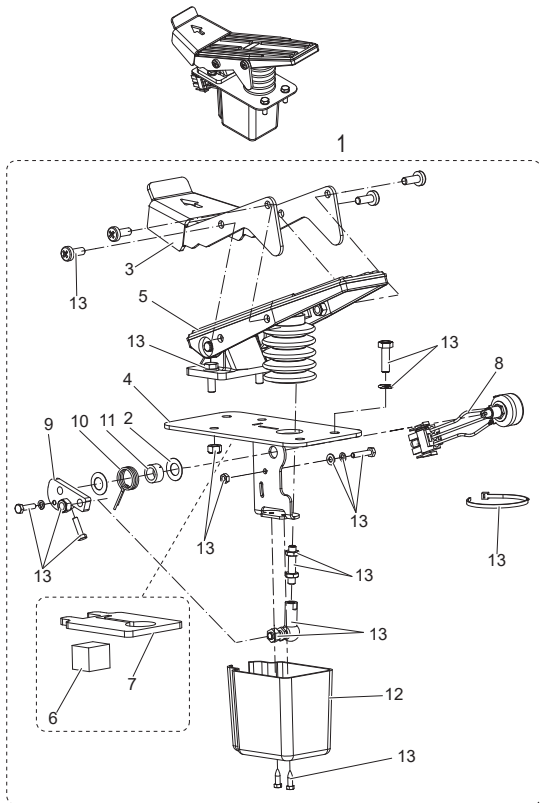
Part Notes:

- [1] - SCREW M8X12
- [2] - NUT SELFLOCKING M18
- [3] - WASHER
- [4] - SCREW HEX HD M5X16
- [5] - WASHER SPLIT 8
- [6] - NUT RING SELFLOCKING
- [7] - SCREW HEX HD M8X25
- [8] - WASHER FLAT 8X17
- [9] - WASHER FLAT 6X24
- [10] - WASHER SPLIT 6
- [11] - WASHER FLAT 6X18
- [12] - WASHER FLAT 4X12
- [13] - SCREW HEX HD M8X30
- [14] - KEY
- [15] - SPACER
- [16] - SCREW HEX HD 6X14
- [17] - TSB IT 2007-025

- [18] - GUARANTEE DATE EXPIRED
TILL S/N 06221124
- [19] - NOT SHOWN (POS.1,2,3,5,6,7,8,10,11,12,13,14,15,16,17,18,20)



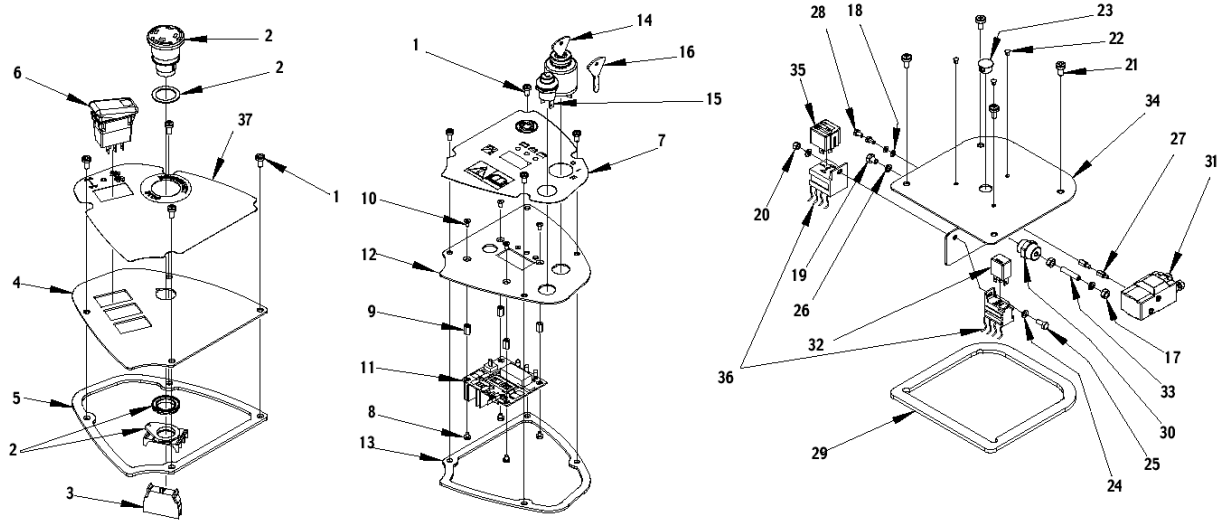
Pos.	Artikel-Nr.	Menge	Variante	Notes
3	146 2480 000	1	Potentiometer Fahrtrieb	
6	146 2315 000	1	GASKET. PEDAL	



Pos.	Artikel-Nr.	Menge	Variante	Notes
1	146 2952 000	1	Fahrpedal kompl. BR 601	[1]
2	145 1147 000	2	U-Scheibe	
3	146 2929 000	1	BRACKET PEDAL MET.BLACK	
4	146 2930 000	1	SUPPORT.SPEED CONTR.PEDAL	
3+5	1467887000	1	PEDAL SPEED CONTROL REPAIR KIT	
5	1467758000	1	PEDAL SPEED CONTROL SIP	
6	146 2062 000	1	GASKET ADHESIVE 20X20 L. 24MM	
7	146 2315 000	1	GASKET. PEDAL	
8	146 2480 000	1	Potentiometer Fahrtrieb	
9	146 2882 000	1	Hebel	
10	1467038000	1	PEDAL SPRING PKD	
11	146 2884 000	1	Hülse 10,3 x 15 x 7,5	
12	145 4086 000	1	Pedalabdeckung f. SR 1300	
13	909 6834 000	1	Fahrschalter kpl.	
14	1464401000	1	Bremspedalkit	[2]
15	1467680000	1	BRAKE CABLE SIP	

Part Notes:

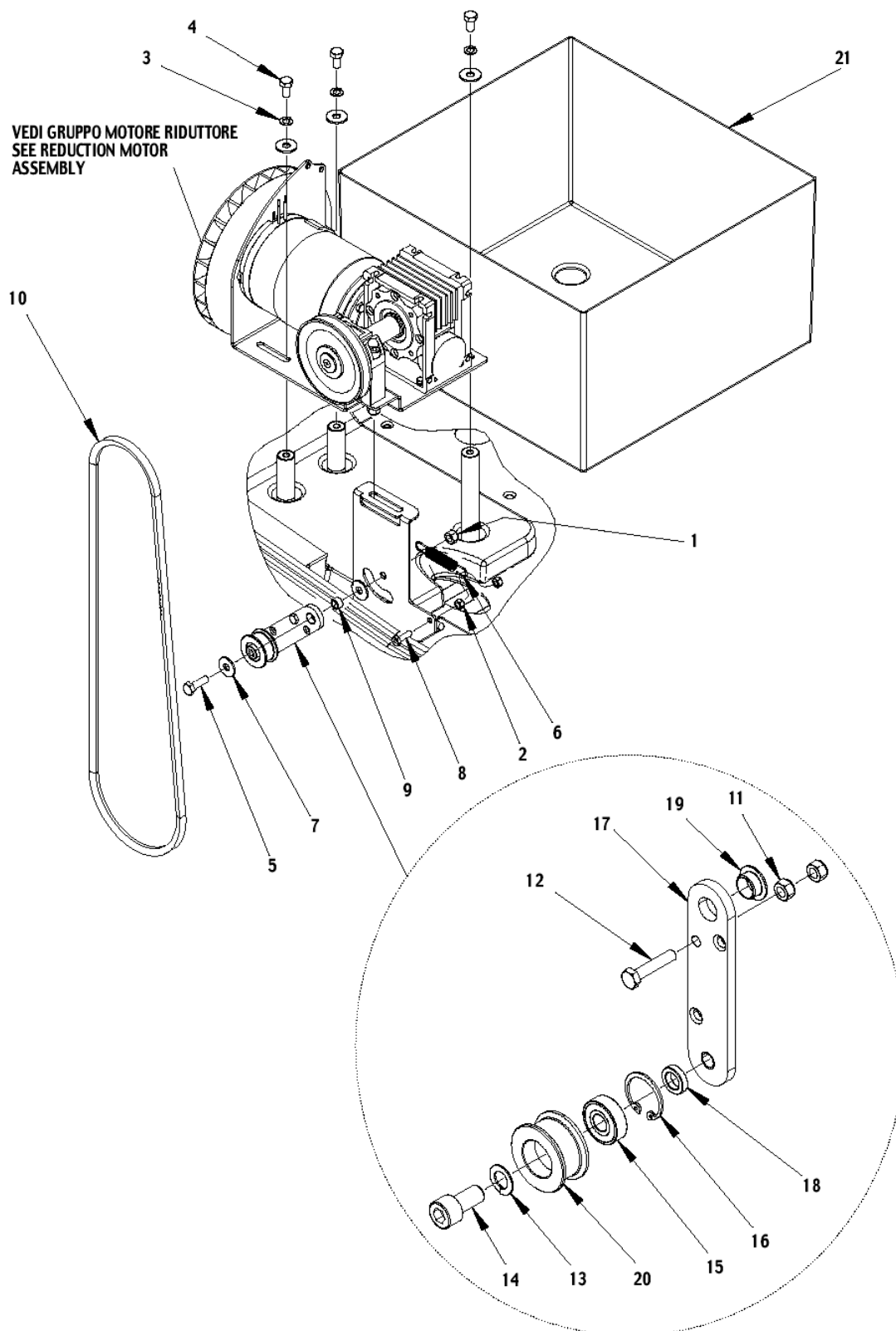
- [1] - starting from S/N 051807363
 [2] - starting from S/N 062211241



Pos.	Artikel-Nr.	Menge	Variante	Notes
1		8	SCREW M5X10	[1]
2	1466683000	1	Sicherheitsschalter	
3	146 1728 000	1	Kontakt	
4	146 1930 000	1	CONTROL PANEL LT GALV.	
5	146 1932 000	1	GASKET CONTROL PANEL LT	
6	146 1935 000	1	Schalter	
7	146 2370 000	1	DECAL CONTROL PANEL RT	
8		4	SCREW M4X5	[2]
9		4	SPACER	[3]
10		4	SCREW M4X8	[4]
11	1466161000	1	CONTROLLER MAIN MACHINE KIT	[5]
12	146 1931 000	1	Bedienfeld, rechts	
13	146 1933 000	1	GASKET CONTROL PANEL RT	
14	33020442	1	Schlüsselschalter	
15	145 9678 000	1	Druckschalter Hupe	
16	1467014000	1	KEY F STARTER SWITCH 2 PCS SET	
17		2	NUT M6	[6]
18		2	WASHER D.4	[7]
19		1	SCREW M6X8	[8]
20		1	NUT SELFLOCKING M5	[9]
21		4	SCREW M6X12	[10]
22		3	CAP	[11]
23	145 8008 000	1	Blindzapfen 18.2mmzu SW 1001	
24		2	WASHER FLAT 5X10	[12]
25		1	SCREW M5X12	[13]
26		2	WASHER D.6	[14]
27		2	SPACER	[3]
28		2	SCREW M4X8	[4]
29	146 0697 000	1	Dichtung	
30	146 0708 000	1	Isolator weiß M6	
31	146 0719 000	1	Schütz 24V	
32	146 1646 000	1	RELAY 24V	
33	146 1678 000	1	SCREW GRUB M6X30 CUP POINT ISO4029	
34	146 1936 000	1	Bedienfeld	
35	145 3712 000	1	Relaise 24 V	
36	146 1903 000	1	Kabelbaum	
37	146 2371 000	1	Aufkleber, Control Panel	
38	146 1902 000	1	HARNESS CONTROL PANEL	[15]
K1	1464402000	1	BefestigungsKit	[16]

Part Notes:

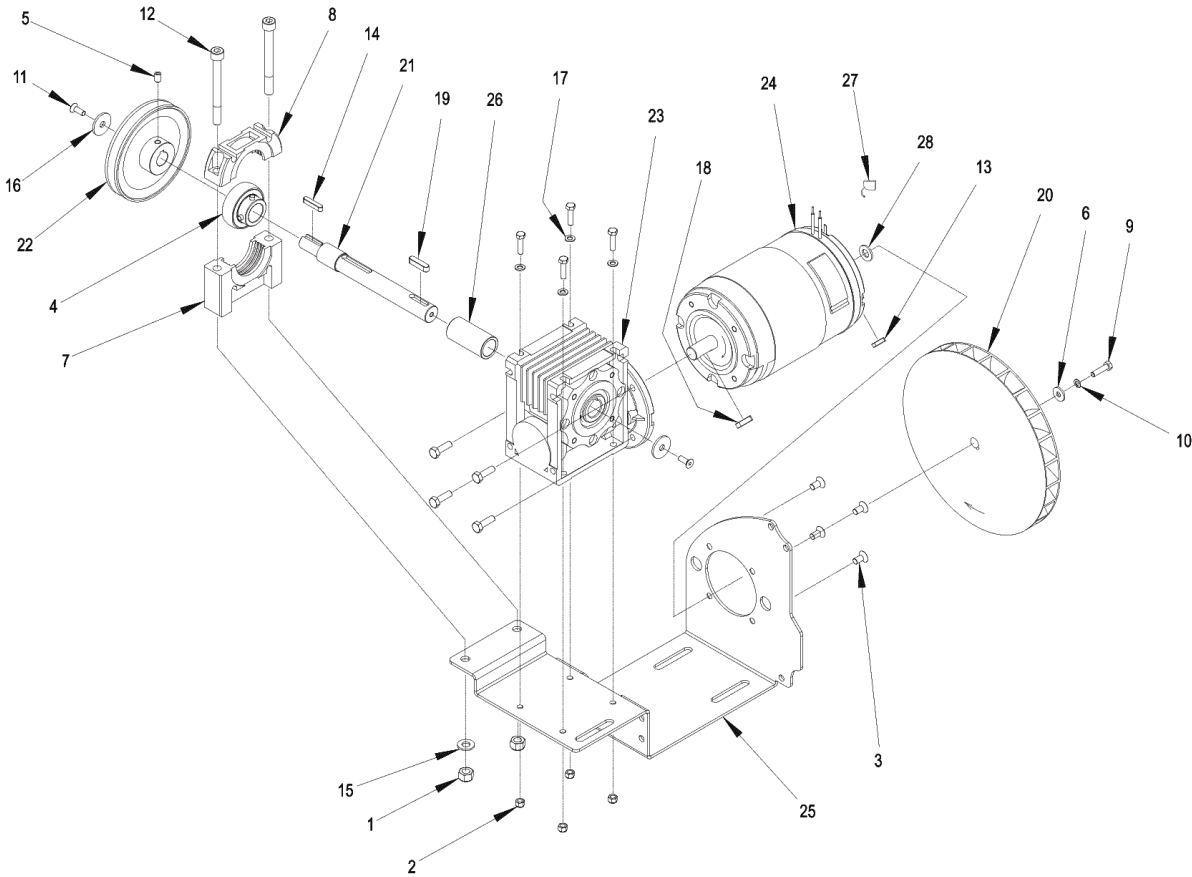
- [1] - SCREW M5X10
- [2] - SCREW M4X5
- [3] - SPACER
- [4] - SCREW M4X8
- [5] - INST. INSTR. 1465914000
- [6] - NUT M6
- [7] - WASHER D.4
- [8] - SCREW M6X8
- [9] - NUT SELFLOCKING M5
- [10] - SCREW M6X12
- [11] - CAP
- [12] - WASHER FLAT 5X10
- [13] - SCREW M5X12
- [14] - WASHER D.6
- [15] - NOT SHOWN
- [16] - NOT SHOWN (POS.1-8-9-10-17-18-19-20-21-22-24-25-26-27-28)



Pos.	Artikel-Nr.	Menge	Variante	Notes
1		1	NUT SELFLOCKING M8	[1]
2		2	SCREW M6X30	[2]
3		3	WASHER SPLIT 8	[3]
4		3	SCREW M8X16	[4]
5		1	SCREW M8X25	[5]
6	146 3135 000	1	SPRING	
7		5	WASHER FLAT 8X24	[6]
8		1	SCREW M6X20	[7]
9		1	SPACER	[8]
10	146 3136 000	1	BELT SPZX 1212	
11		2	NUT SELFLOCKING M6	
12		1	SCREW M6X30	[9]
13		1	WASHER SPLIT 10	[10]
14		1	SCREW M10X20	[11]
15		1	BALL BEARING	[12]
16		1	RETAINING RING	[13]
17		1	BELT TENSIONER ARM	[14]
18		1	SPACER	[8]
19		1	BEARING WITH FLANGE	[15]
20		1	BELT TENSIONER ROLLER	[16]
21	146 1684 000	1	Batteriebehälter	[17]
K1	1464403000	1	Schraubensatz	[18]

Part Notes:

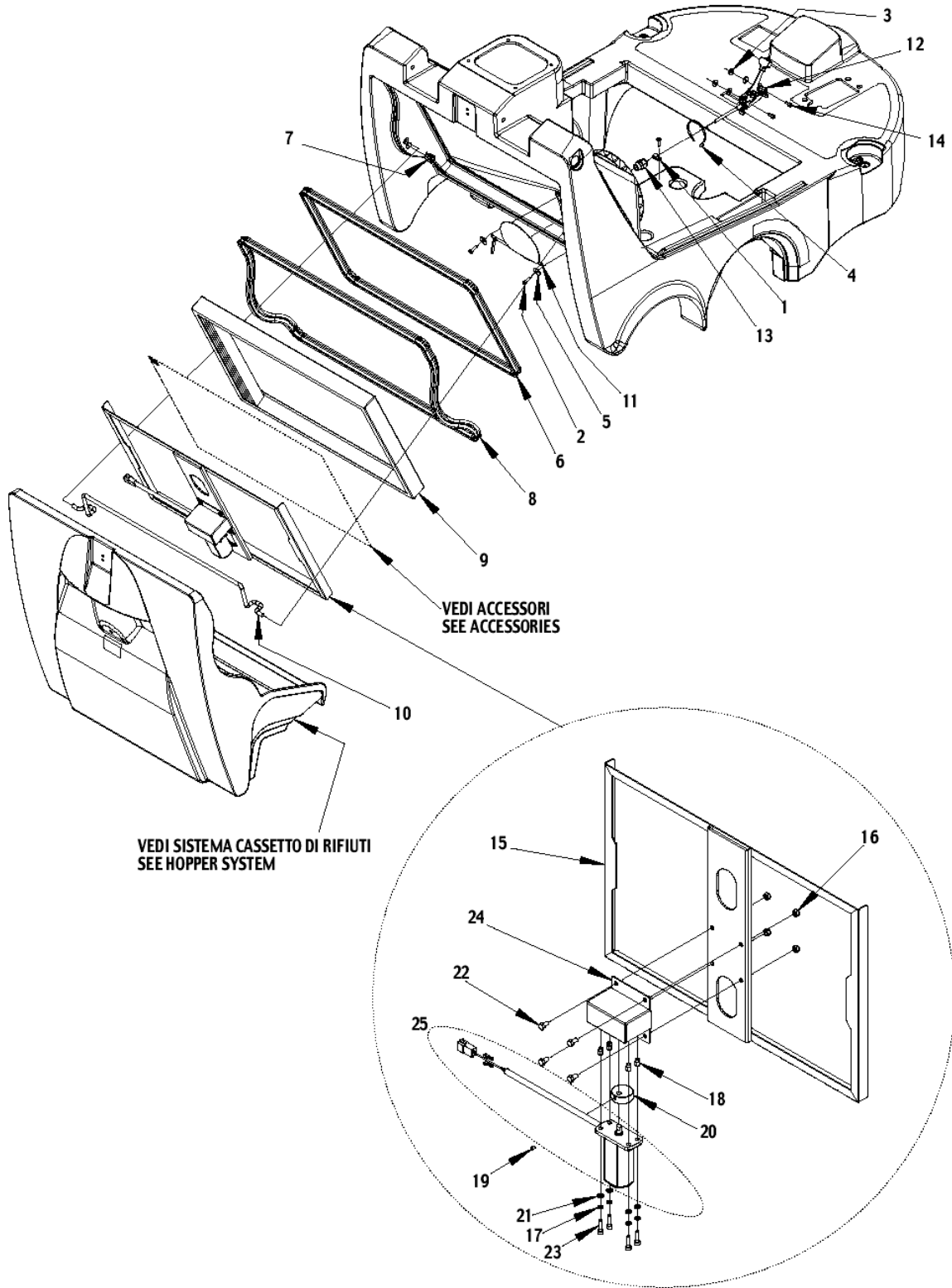
- [1] - NUT SELFLOCKING M8
- [2] - NUT SELFLOCKING M6
- [3] - WASHER SPLIT 8
- [4] - SCREW M8X16
- [5] - SCREW M8X25
- [6] - WASHER FLAT 8X24
- [7] - SCREW M6X20
- [8] - SPACER
- [9] - SCREW M6X30
- [10] - WASHER SPLIT 10
- [11] - SCREW M10X20
- [12] - BALL BEARING
- [13] - RETAINING RING
- [14] - BELT TENSIONER ARM
- [15] - BEARING WITH FLANGE
- [16] - BELT TENSIONER ROLLER
- [17] - 2020 ACCESSORY PRUNING
- [18] - NOT SHOWN (POS.1-2-3-4-5-7-8-9-12-13-14-15-16-17-18-19-20)



Pos.	Artikel-Nr.	Menge	Variante	Notes
1		1	NUT SELFLOCKING M8	[1]
2		2	NUT SELFLOCKING M6	[2]
3		3	WASHER SPLIT 8	[3]
4	145 1123 000	1	Lager YAT204	
5		1	SCREW M8X25	[4]
6		1	WASHER FLAT 5X15	[5]
7	145 1976 000	1	Lagerbock unten	
8	145 1977 000	1	Lagerbock oben	
9		1	SPACER	[6]
10		5	WASHER FLAT 8X24	[7]
11		1	SCREW M6X20	[8]
12		1	SCREW M6X30	[9]
13	146 1489 000	1	Keil 4x4x15	
14	1466146000	1	KEY 5X5X25 UNI6604A PKD	
15		1	BALL BEARING	[10]
16		1	RETAINING RING	[11]
17		1	BELT TENSIONER ARM	[12]
18	1466147000	1	KEY 5X5X20 UNI6604A PKD	
19	145 9899 000	1	Keil 6 x 6 x 25 mm	
20	146 0537 000	1	Lüfferrad zu SW 700/S	
21	146 0540 000	1	Antriebswelle	
22	146 1921 000	1	PULLEY	
23	1463249000	1	Reduziergetriebe kpl.	
24	1467528000	1	MOTOR ELECTRIC 600W 24V SIP	
25	146 1924 000	1	Aufnahmeplatte	
26	146 1925 000	1	SPACER	
27	L08603949	1	Kohlenbürsten Kit 4pcs	
28	146 2814 000	1	WASHER F ELECTRIC MOTOR	
K1	1464404000	1	Zubehörkit f. Motor	[13]

Part Notes:

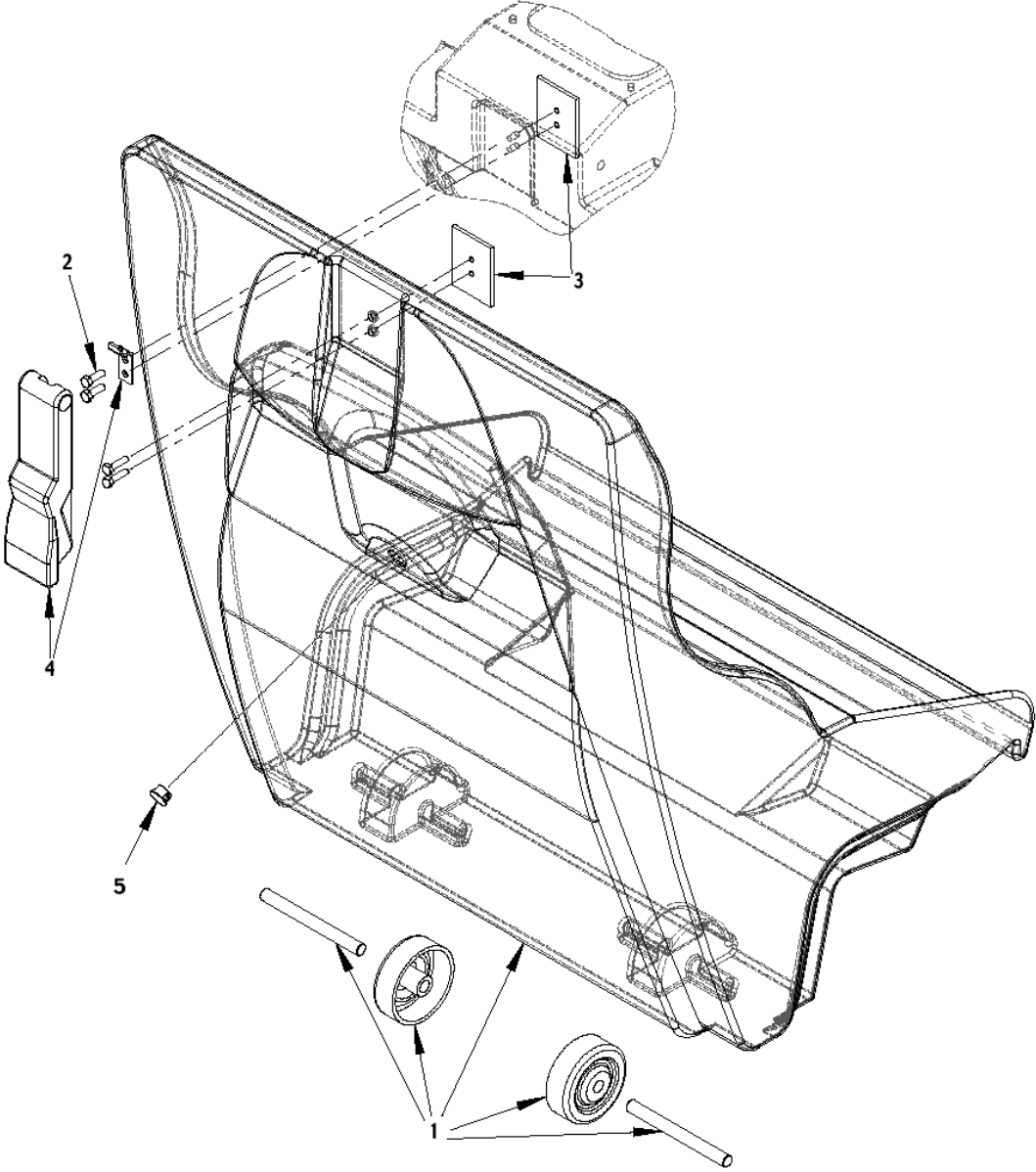
- [1] - NUT SELFLOCKING M8
- [2] - NUT SELFLOCKING M6
- [3] - WASHER SPLIT 8
- [4] - SCREW M8X25
- [5] - WASHER FLAT 5X15
- [6] - SPACER
- [7] - WASHER FLAT 8X24
- [8] - SCREW M6X20
- [9] - SCREW M6X30
- [10] - BALL BEARING
- [11] - RETAINING RING
- [12] - BELT TENSIONER ARM
- [13] - NOT SHOWN (POS. 1-2-3-5-6-9-10-11-12-13-14-15-16-17-18-19)



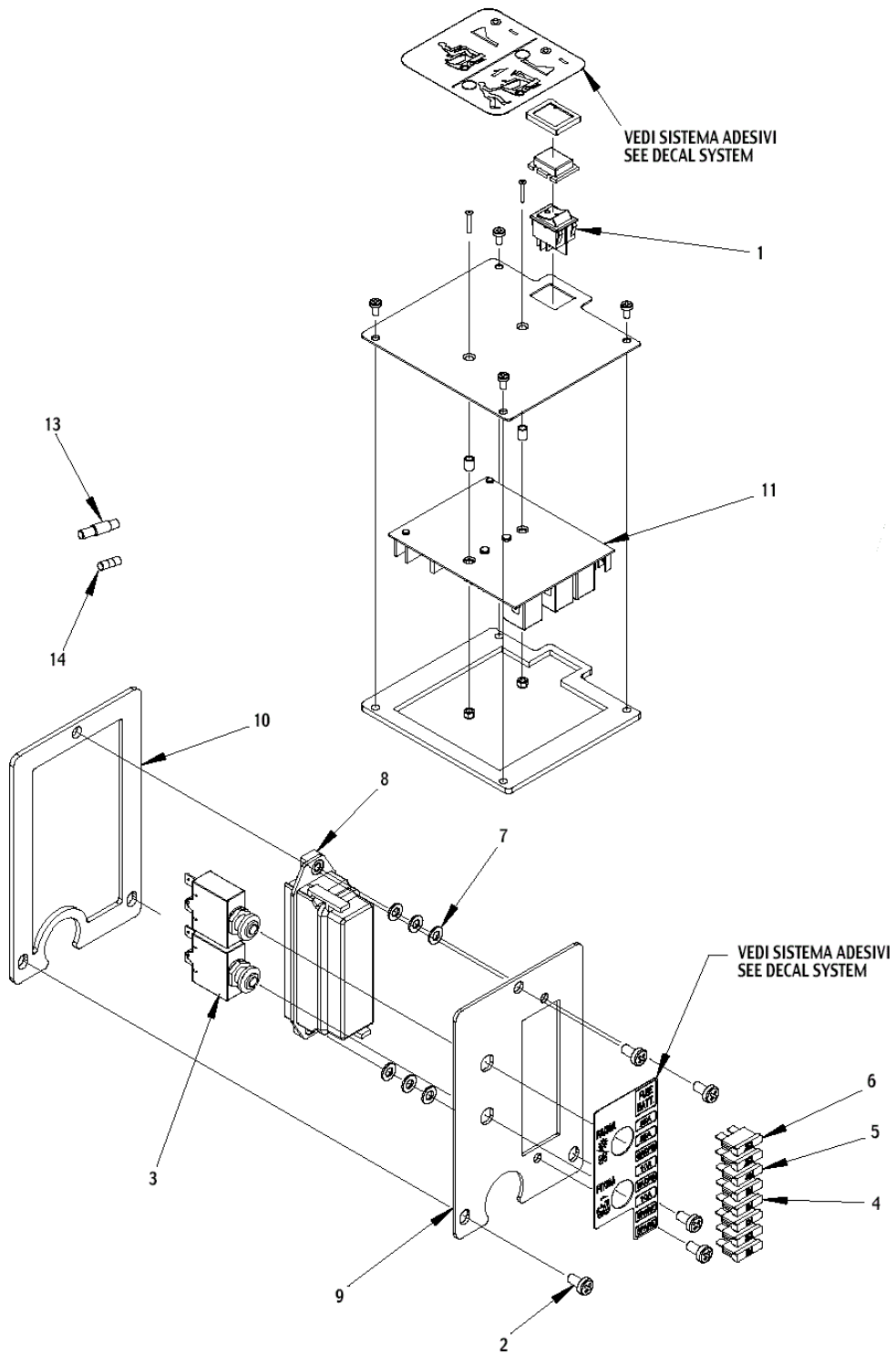
Pos.	Artikel-Nr.	Menge	Variante	Notes
1		1	CLAMP GREY	[1]
2		3	SCREW M4.6X19.2	[2]
3		4	WASHER FLAT 5X15	[3]
4		1	CLAMP	[4]
5		2	WASHER FLAT 5X20	[5]
6	1467894000	1	GASKET BULB RUBBER L.2450 MM SIP	
7	146 0661 000	1	Dichtungsring	
8	1467894000	1	GASKET BULB RUBBER L.2450 MM SIP	
9	146 1888 000	1	Filter Papier	
9	146 1989 000	1	Filter Polyester, antistatisch	[6]
9	146 1988 000	1	Filter Polyester	[6]
10	146 1889 000	1	Bügel f. Filterrüttler	
11	146 1890 000	1	VALVE THROTTLE GALV.	
12	146 1891 000	1	LEVER W/CABLE F VACUUM CONTROL	[7]
13	146 1892 000	1	CLAMP CABLE	
14		2	SCREW M5X10	[8]
15	146 1947 000	1	Filterrahmen	
16		4	NUT SELFLOCKING M6	[9]
17		4	WASHER SPLIT 5	[10]
18		4	INSERT HEX. 5	[11]
19		1	DOWEL	[12]
20	1466857000	1	CAM F FILTER SHAKER KIT	
21		4	WASHER FLAT M5X10	[13]
22		4	SCREW M6X12	[14]
23		4	SCREW M5X20	[15]
24	1466335000	1	BRACKET FILTER SHAKER PKD	
25	1466314000	1	MOTOR FILTER SHAKER 12W 24V KIT	
26	146 1893 000	1	Vorfilter zu SR 1000SB	[16]
K1	1464405000	1	BefestigungsKit	[17]

Part Notes:

- [1] - CLAMP GREY
- [2] - SCREW M4.6X19.2
- [3] - WASHER FLAT 5X15
- [4] - CLAMP
- [5] - WASHER FLAT 5X20
- [6] - OPTIONAL
- [7] - GUARANTEE DATE EXPIRED
- [8] - SCREW M5X10
- [9] - NUT SELFLOCKING M6
- [10] - WASHER SPLIT 5
- [11] - INSERT HEX. 5
- [12] - DOWEL
- [13] - WASHER FLAT M5X10
- [14] - SCREW M6X12
- [15] - SCREW M5X20
- [16] - NOT SHOWN - OPTIONAL
- [17] - NOT SHOWN (POS.1-2-3-4-5-14-16-17-18-19-21-22-23)



Pos.	Artikel-Nr.	Menge	Variante	Notes
1	1466159000	1	CONTAINER WASTE GREY ROTOMOULDED KIT	
2	33003963	4	Schraube M5x20	
3	146 0562 000	2	Platte	
7	146 0520 000	1	HOOK RUBBER	
5	145 4259 000	1	Kappe	

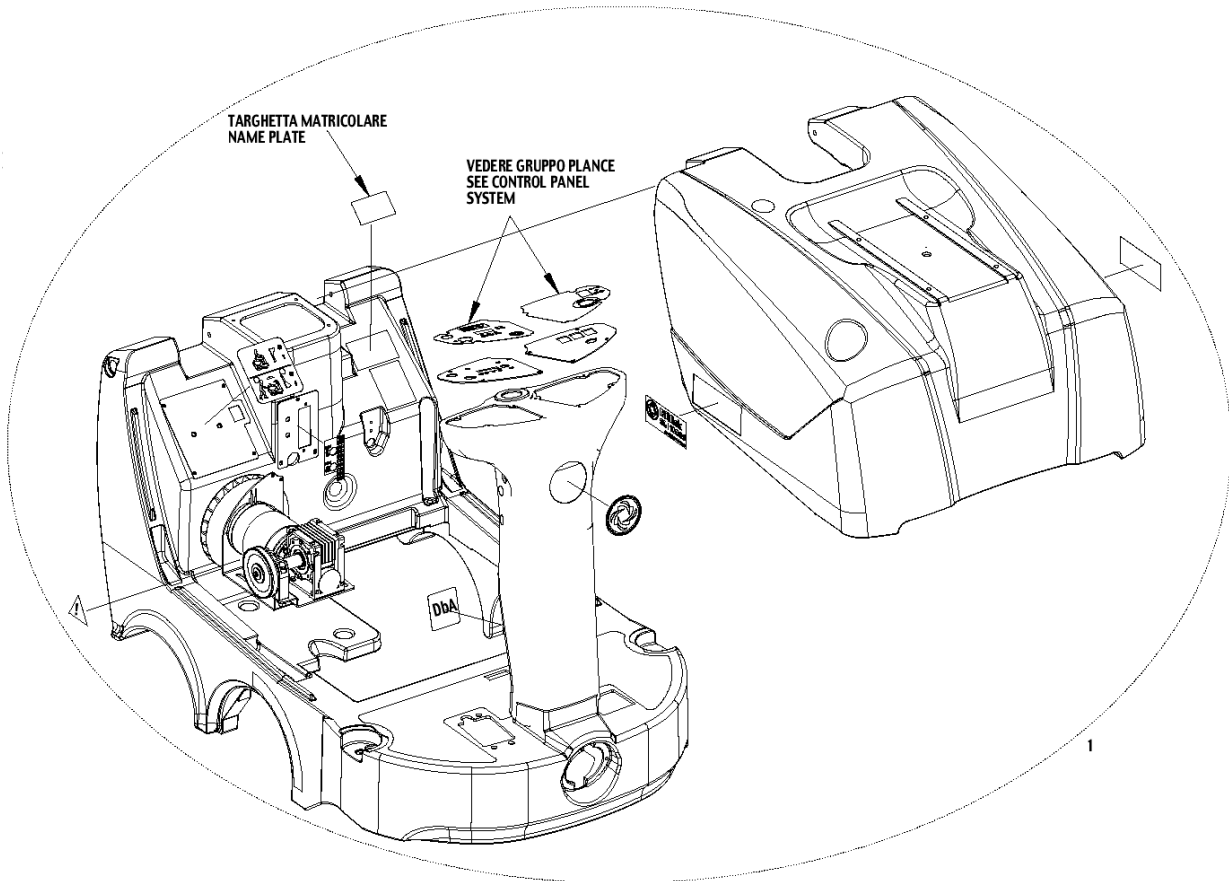


Pos.	Artikel-Nr.	Menge	Variante	Notes
1	909 5668 000	1	Hauptschalter	
2	L08603041	4	Linsenschraube M5x10	
3	909 5706 000	2	Hauptschalter 30 A	
4	1467034000	3	FUSE BLADE 10A PKD	
5	145 0227 000	1	Sicherung 40Anicht mehr bestellen	
6	145 8514 000	2	Sicherung 25A	
7	33023195	1	WASHER M5 UNI6592 10 PCS SET	
8	146 1170 000	1	Sicherungsschalter SR1301	
9	146 1952 000	1	Platte	
10	146 1953 000	1	GASKET	
11	1466174000	1	Steuerung Antriebsrad PKD	
13	146 2243 000	1	FUSEHOLDER IN LINE 5X20-6.3X32 FUSE	
15	146 1986 000	1	Ladestecker SB 120 rot	
16	1463241000	1	Sitzschalter	[1]

Part Notes:

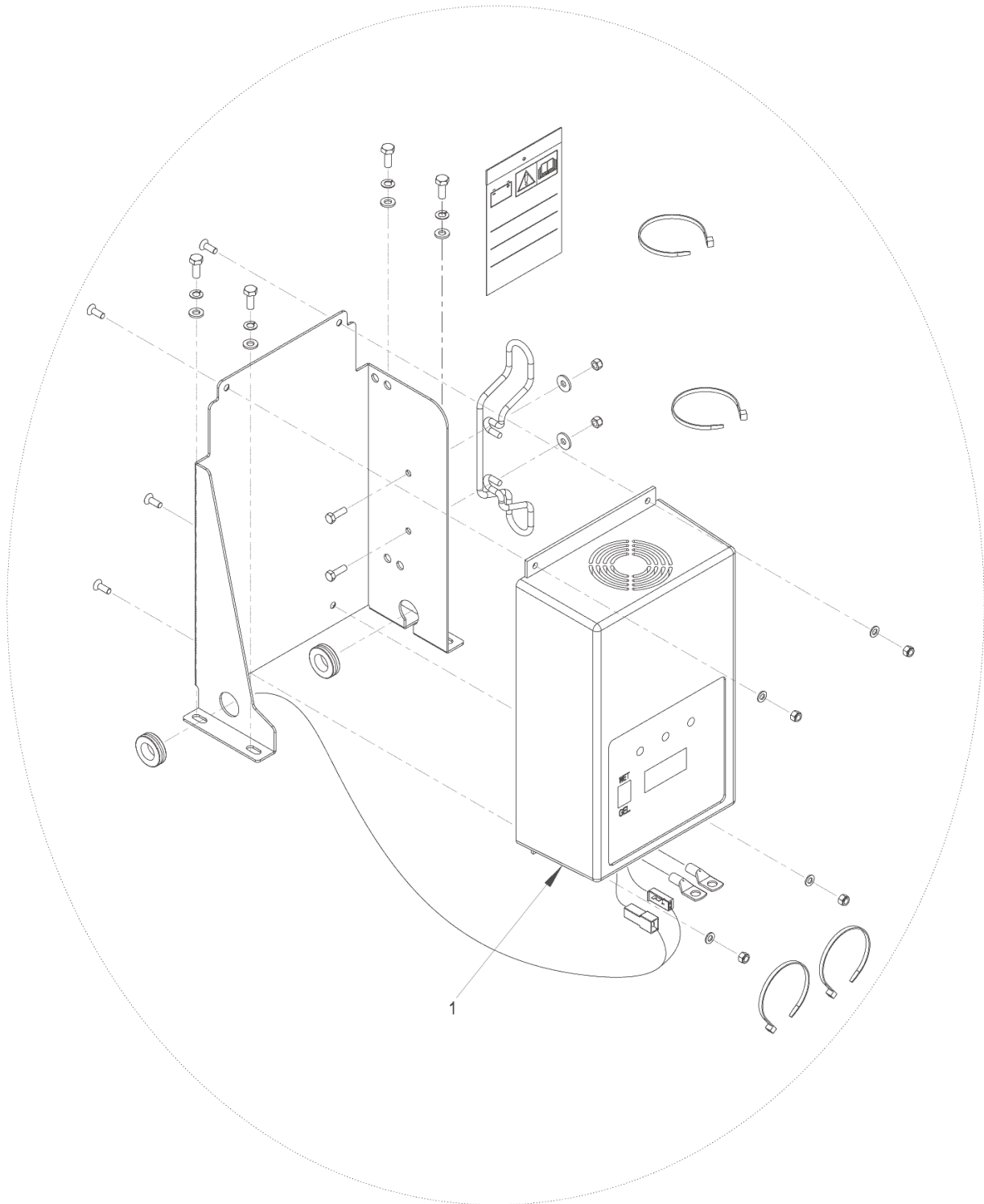
[1] - GUARANTEE DATE EXPIRED

NOT SHOWN - INSTAL.INSTR. 1463243000



Pos.	Artikel-Nr.	Menge	Variante	Notes
1	1463742000	1	Aufkleberkit SR 1000 S B	

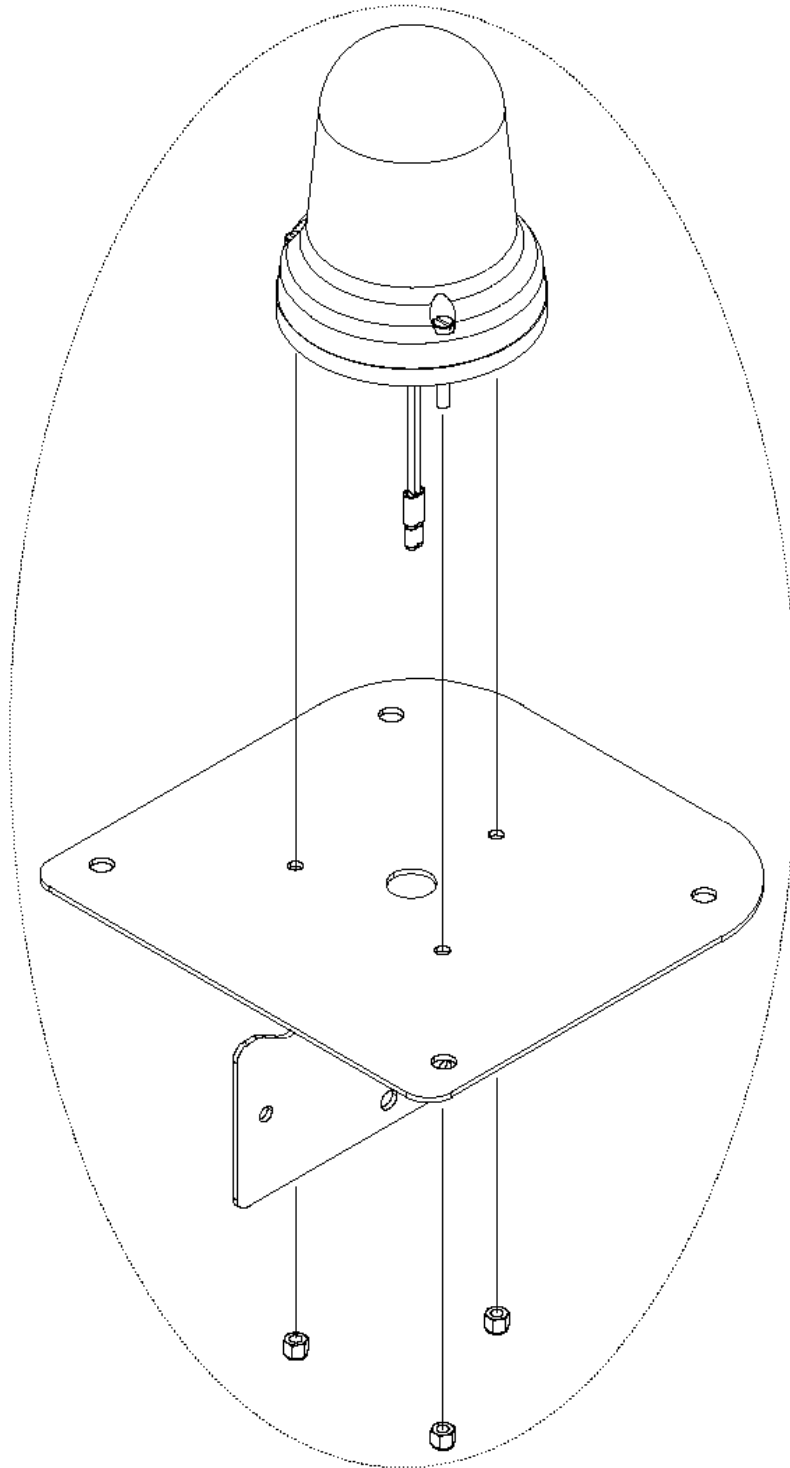
KIT CARICA BATTERIA / BATTERY CHARGER KIT



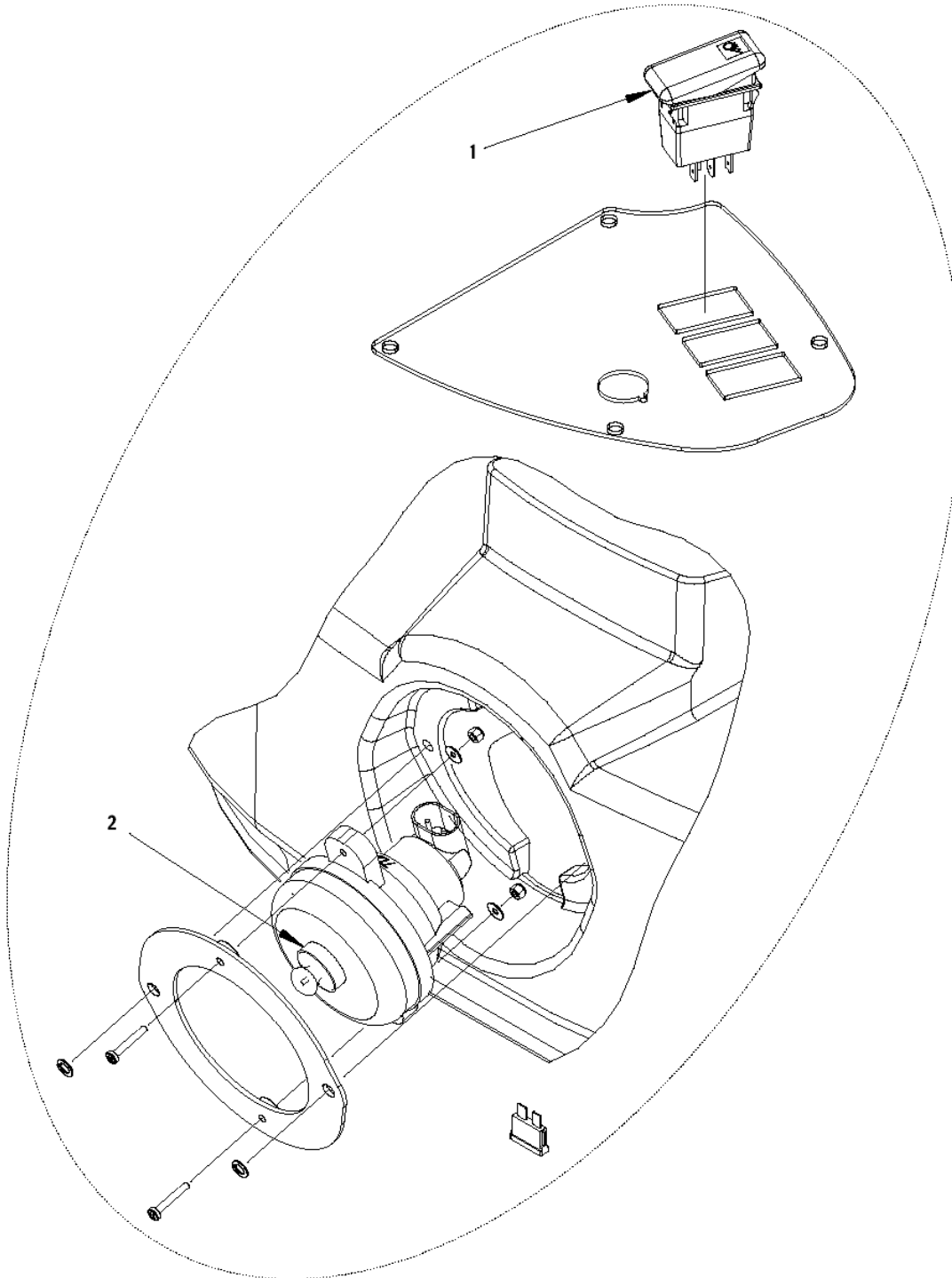
Pos.	Artikel-Nr.	Menge	Variante	Notes
0A	146 2052 000	1	Einbauladegerät 24V-25A 230V	[1]
1A	146 2131 000	1	Batterie Ladegerät 230 V	[2]
2A	146 2142 000	1	Lüfter für Kühlung	[3]
3A	145 1726 000	1	FUSE 10A	[4]
4A	1466172000	1	CONTROLLER DISPLAY SIP	[5]
5A	146 2139 000	1	CARD ELECTRONIC BATTERY CHARGER	[4]
6A	146 0801 000	1	SWITCH WET/GEL	[3]
A7	146 2144 000	1	Kabel	[3]
0B	1464527000	1	LADEGERÄT ON BOARD 24V 13A 230V KIT	[6]
1B	1466315000	1	CHARGER BATT. ON BOARD 24V 13A 230V PKD	[7]
2B	1465917000	1	HARDWARE BATTERY CHARGER KIT	[8]
3B	9100000787	1	CABLE EXTENSION EU PLUG L.2000 PKD	[8]
3B	1467891000	1	CHARGER POWER CABLE 2M SWISS PLUG	

Part Notes:

- [1] - NOT SHOWN - OPT. BEFORE SN 3810144200009 - FOR 146 2131 000 - INST. INSTR. 146 2055 000
- [2] - BEFORE SN 3810144200009
- [3] - ALTERNATIVE USE 146 2132 000 COMPL.
NOT SHOWN - BEFORE SN 3810144200009 - FOR 146 2131 000
- [4] - NOT SHOWN - BEFORE SN 3810144200009 - FOR 146 2131 000
- [5] - ALTERNATIVE USE 146 2132 000
NOT SHOWN - BEFORE SN 3810144200009 - FOR 146 2131 000
- [6] - NOT SHOWN - STARTING FROM BEFORE SN 3810144200009 - FOR 1466315000 - INST. INSTR. 1464529000
- [7] - STARTING FROM BEFORE SN 3810144200009
- [8] - NOT SHOWN - STARTING FROM BEFORE SN 3810144200009 - FOR 1466315000



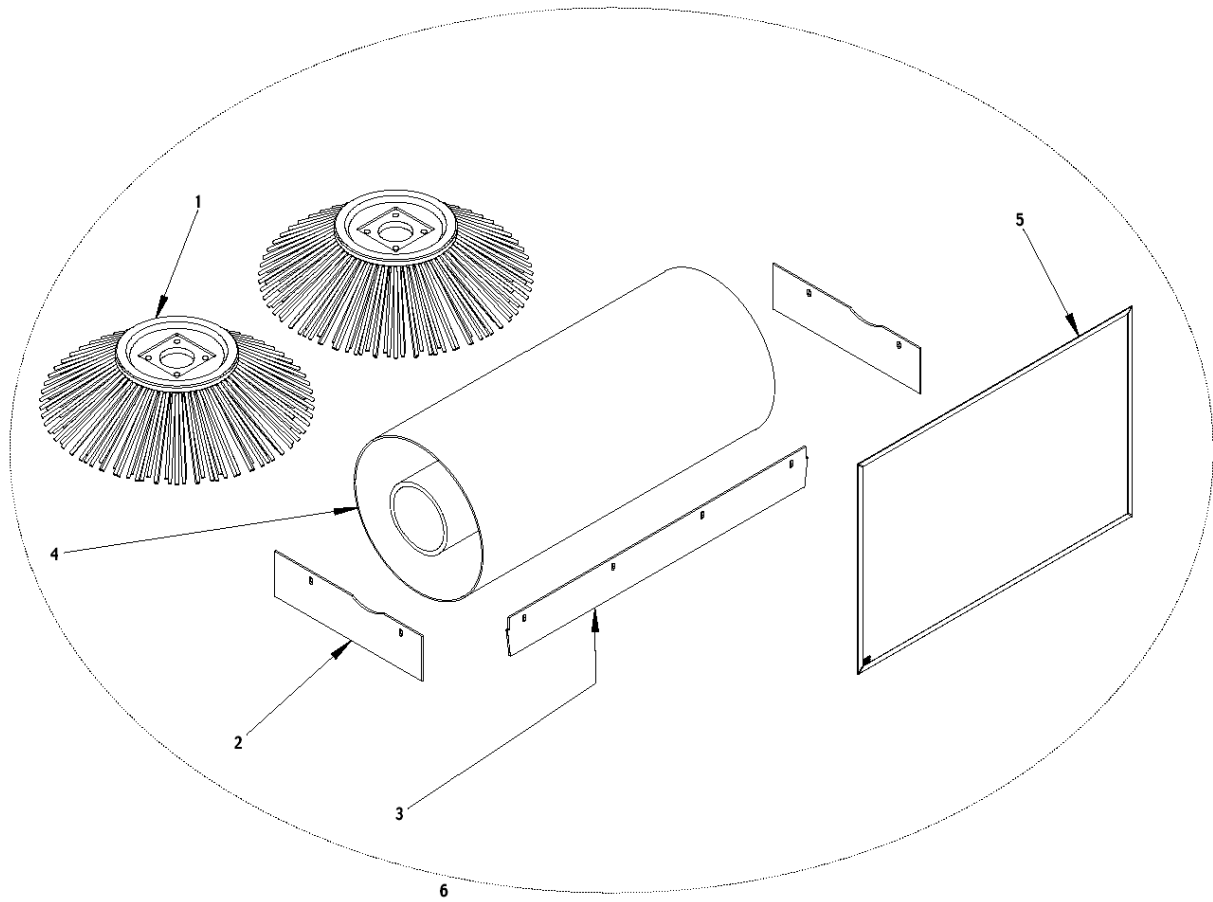
Pos.	Artikel-Nr.	Menge	Variante	Notes
0	146 2659 000	1	Blinklicht	



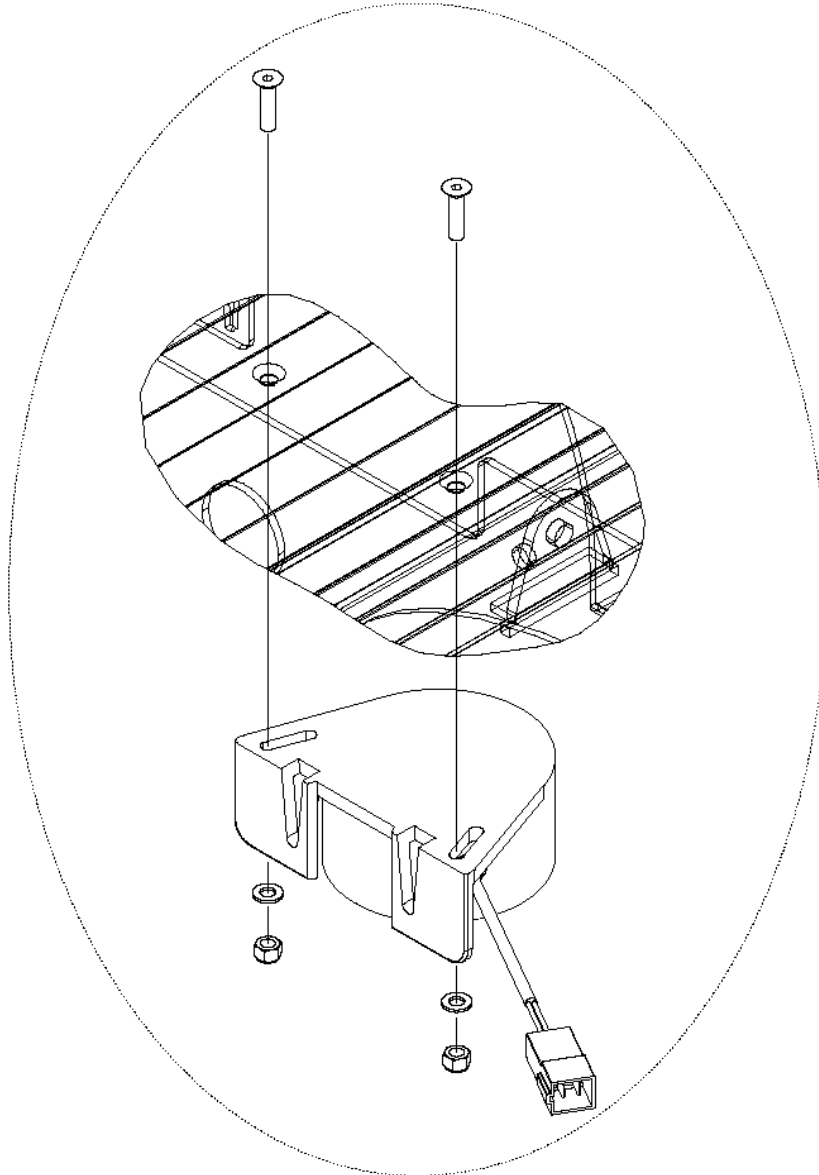
Pos.	Artikel-Nr.	Menge	Variante	Notes
	146 2663 000	1	Fahrlicht	
1	146 1974 000	1	Schalter	
2	145 5518 000	1	Lampe 24V/21W	[1]

Part Notes:

[1] - BUY LOCALLY



Pos.	Artikel-Nr.	Menge	Variante	Notes
1	145 4976 000	2	Seitenbesen 180x400 mm, Naturborsten	
2	146 0587 000	2	Spritz Gummi seitlich	
3	146 0743 000	1	Gummileiste, hinten	
4	146 0753 000	1	Kehrwalze 245x600 mm, f. Teppichr.	
5	146 1893 000	1	Vorfilter zu SR 1000SB	
6	146 2102 000	1	Teppichkehr-Set	



Pos.	Artikel-Nr.	Menge	Variante	Notes
0	146 2661 000	1	Rückfahralarm	

Resource notes:

POSITION 44: 146 2134 000 till machine serial number 051807363 - VALID TILL 18.05.2005 see TSB IT 2005-009TSB IT 2005-009. New accelerator pedal

Pos.	Artikel-Nr.	Menge	Variante	Notes
1	146 1888 000	1	Filter Papier	
2	146 0738 000	1	Spritz Gummi hinten	
3	146 0756 000	1	Spritz Gummi, vorne	
4	146 0555 000	2	Seiten Gummi	
5	146 0748 000	1	Kehrwalze 265x600 mm, PP 0,7	
6	145 1899 000	2	Seitenbesen PP 0,7 180x400 mm	
7	145 8514 000	2	Sicherung 25A	
8	145 0227 000	1	Sicherung 40Anicht mehr bestellen	
9	1467034000	4	FUSE BLADE 10A PKD	
10	145 9184 000	1	Feder	
11	146 3136 000	1	BELT SPZX 1212	
12	146 0519 000	2	Flansch 12mm Seitenbesen	
13	1464432000	1	Kohle Kit 4 Stück	
14	1464433000	4	Kohlebürsten-Kit (4St.)	
15	146 1899 000	2	Rad, hinten f. BA410/	
16	1463184000	1	Rad vorne SR 1000 SB	
17	146 0945 000	2	Abweissrolle SR 1300H	
18	145 4536 000	2	Clips kurz M6	
19	145 1975 000	1	CABLE SKIRT RAIS.DEVICE	
20	145 1935 000	1	Spring	
21	1466518000	1	BRAKE FRONT WHEEL SIP	
25	145 0222 000	1	"Kette 3/8"" 35+FM+MG"	
26	146 2166 000	1	Motor mit GetriebeSR 1000 S B	
27	1464152000	2	Winkelgetriebe 60W 24V	
28	145 0274 000	2	Zugfeder	
29	146 1895 000	2	Seilzug	[1]
30	146 0719 000	1	Schütz 24V	
31	146 1646 000	1	RELAY 24V	
32	145 3712 000	1	Relaise 24 V	
33	1466161000	1	CONTROLLER MAIN MACHINE KIT	
34	146 0565 000	1	Schalter zu Haube SW700/S	
35	1467636000	1	BEARING TAPER ROLLER 32006 SIP	[2]
36	145 0225 000	1	Kugellager 6006/2RS1	
37	146 1928 000	1	Dichtung	[1]
38	145 0221 000	1	Kettenrad Z 17 3/8-7/32	
39	1467894000	1	GASKET BULB RUBBER L.2450 MM SIP	
40	1467894000	1	GASKET BULB RUBBER L.2450 MM SIP	
41	146 1891 000	1	LEVER W/CABLE F VACUUM CONTROL	[1]
42	1466314000	1	MOTOR FILTER SHAKER 12W 24V KIT	
43	909 5668 000	1	Hauptschalter	
48	1467014000	1	KEY F STARTER SWITCH 2 PCS SET	
49	1466174000	1	Steuerung Antriebsrad PKD	
50	1466506000	1	MICROSWITCH 10A 250V PKD	
51	909 5706 000	2	Hauptschalter 30 A	

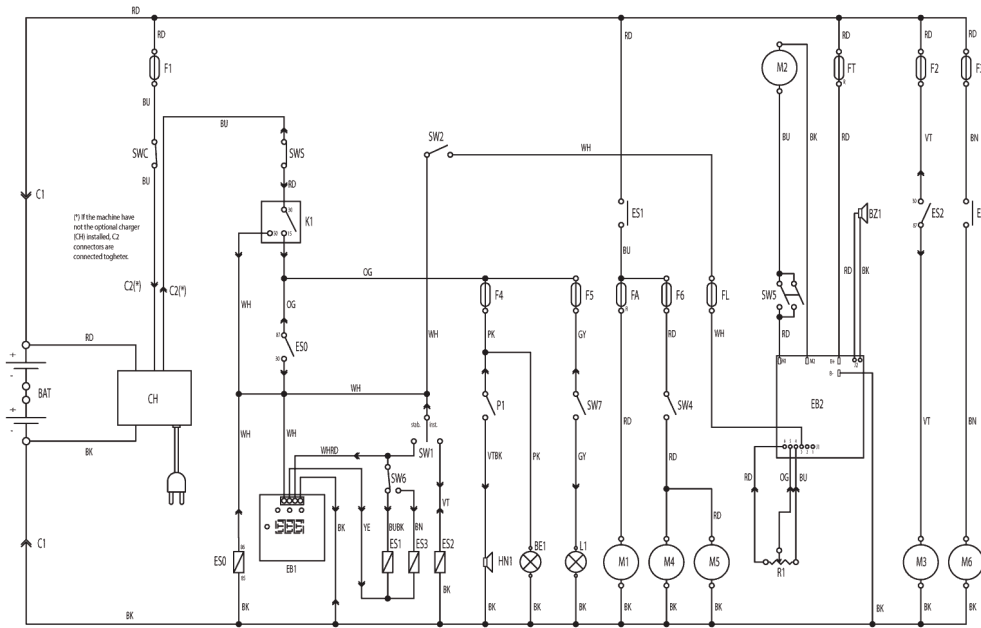
Part Notes:

- [1] - GUARANTEE DATE EXPIRED
[2] - Till S/N 06221124

Pos.	Artikel-Nr.	Menge	Variante	Notes
52	146 1988 000	1	Filter Polyester	
53	146 1989 000	1	Filter Polyester, antistatisch	
54	146 0749 000	1	Kehrwalze natur	[1]
55	146 0750 000	1	Kehrwalze 265x600 mm, Stahlmix	
56	146 0751 000	1	Kehrwalze 245x600 mm, PP 0,7	
57	146 0753 000	1	Kehrwalze 245x600 mm, f. Teppichr.	
58	146 0752 000	1	Kehrwalze 245x600 mm, Nylon	
59	145 4959 000	2	Seitenbesen 180x400 mm, Stahlmix	
60	145 4976 000	2	Seitenbesen 180x400 mm, Naturborsten	
61	146 0678 000	2	Seitenbesen 180x350 mm, Nylon	
62	146 2659 000	1	Blinklicht	
63	146 2661 000	1	Rückfahralarm	
64	146 2303 000	1	Befestigungskit	
65	146 2661 000	1	Rückfahralarm	
66	146 2052 000	1	Einbauladegerät 24V-25A 230V	
67	146 2102 000	1	Teppichkehr-Set	
68	146 0587 000	2	Spritz Gummi seitlich	
69	146 0743 000	1	Gummileiste, hinten	
71	146 1893 000	1	Vorfilter zu SR 1000SB	

Part Notes:

[1] - PI 2015-001 TTY



WIRING DIAGRAM
SR1000S B
146 2006 000 Rev.C

COMPONENTS	
BF	24V BATTERY
BE1	BEACON (OPT)
BZ1	REW BUZZER
C1	BATTERY CONNECTOR
CH	BATTERY CHARGER (OPT)
EB1	HOUR METER & BATT. DISPLAY
EB2	DRIVE ELECTRONIC BOARD
ES0	START RELAIS
ES1	MAIN BRUSH ELECTROM. SWITCH
ES2	SHAKER RELAIS
ES3	VACUUM ELECTROM. SWITCH (OPT)
FA	MAIN BRUSH CIRCUIT BREAKER
FL	DRIVE BOARD FUSE (3A)
FT	DRIVE CIRCUIT BREAKER
F1	SERVICES (MAIN) FUSE (25A)
F2	SHEAKER FUSE (25A)
F3	VACUUM FUSE (40A) (OPT)
F4	HORN AND BEACON FUSE (10A) (OPT)
F5	WORKING LIGHT FUSE (10A) (OPT)
F6	SIDE BRUSHES FUSE (10A)
HNI	HORN
K1	KEY
L1	WORKING LIGHT (OPT)
M1	MAIN BRUSH MOTOR
M2	DRIVE MOTOR
M3	SHEAKER MOTOR
M4	RIGHT BRUSH MOTOR
M5	LEFT BRUSH MOTOR (OPT)
M6	VACUUM MOTOR (OPT)
P1	HORN BUTTON
R1	DRIVE SPEED POTENTIOMETER
SWC	HOOD SAFETY MICROSWITCH
SW5	SAFETY SWITCH
SW1	BRUSHES AND SHEAKER SWITCH
SW2	SEAT SAFETY SWITCH
SW4	SIDE BRUSHES MICROSWITCH
SW5	DRIVE SWITCH
SW6	VACUUM SWITCH (OPT)
SW7	WORKING LIGHT SWITCH (OPT)

Pos.	Artikel-Nr.	Menge	Variante	Notes
BE1	146 2659 000		Blinklicht	
BZ1	146 2661 000		Rückfahralarm	
C1	146 1986 000		Ladestecker SB 120 rot	
CH1	146 2131 000		Batterie Ladegerät 230 V	
CH1	1466315000		CHARGER BATT. ON BOARD 24V 13A 230V PKD	
EB1	1466161000		CONTROLLER MAIN MACHINE KIT	
EB2	1466174000		Steuerung Antriebsrad PKD	
ES0	146 1646 000		RELAY 24V	
ES1	146 0719 000		Schütz 24V	
ES2	145 3712 000		Relaise 24 V	
FA	909 5706 000		Hauptschalter 30 A	
FT	909 5706 000		Hauptschalter 30 A	
F1	145 8514 000		Sicherung 25A	
F2	145 8514 000		Sicherung 25A	
F3	145 0227 000		Sicherung 40Anicht mehr bestellen	
F4	1467034000		FUSE BLADE 10A PKD	
F5	1467034000		FUSE BLADE 10A PKD	
F6	1467034000		FUSE BLADE 10A PKD	
HN1	1467032000		HORN 24V 112DB SIP	
K1	33020442		Schlüsselschalter	
L1	146 2663 000		Fahrlicht	
M1	1467528000		MOTOR ELECTRIC 600W 24V SIP	
M2	146 2166 000		Motor mit GetriebeSR 1000 S B	
M3	1466314000		MOTOR FILTER SHAKER 12W 24V KIT	
M4	1464152000		Winkelgetriebe 60W 24V	
M5	1464152000		Winkelgetriebe 60W 24V	
P1	145 9678 000		Druckschalter Hupe	
R1	146 2952 000		Fahrpedal kompl. BR 601	
SWC	146 0565 000		Schalter zu Haube SW700/S	
SWS	1466683000		Sicherheitsschalter	
SW1	146 1935 000		Schalter	
SW4	1466506000		MICROSWITCH 10A 250V PKD	
SW7	146 1974 000		Schalter	

