

# PARTS LIST

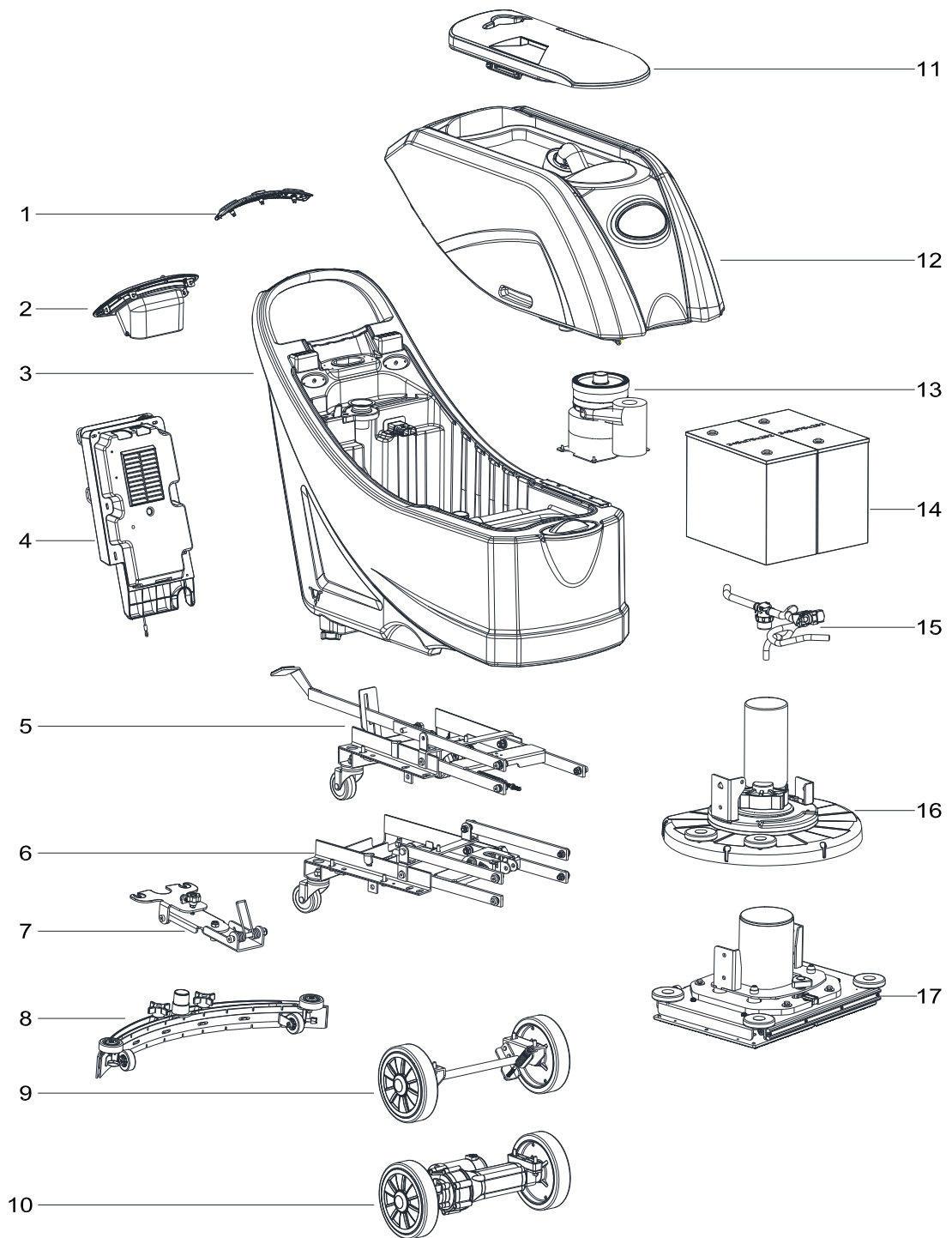


2022.01.18

# TABLE OF CONTENTS

---

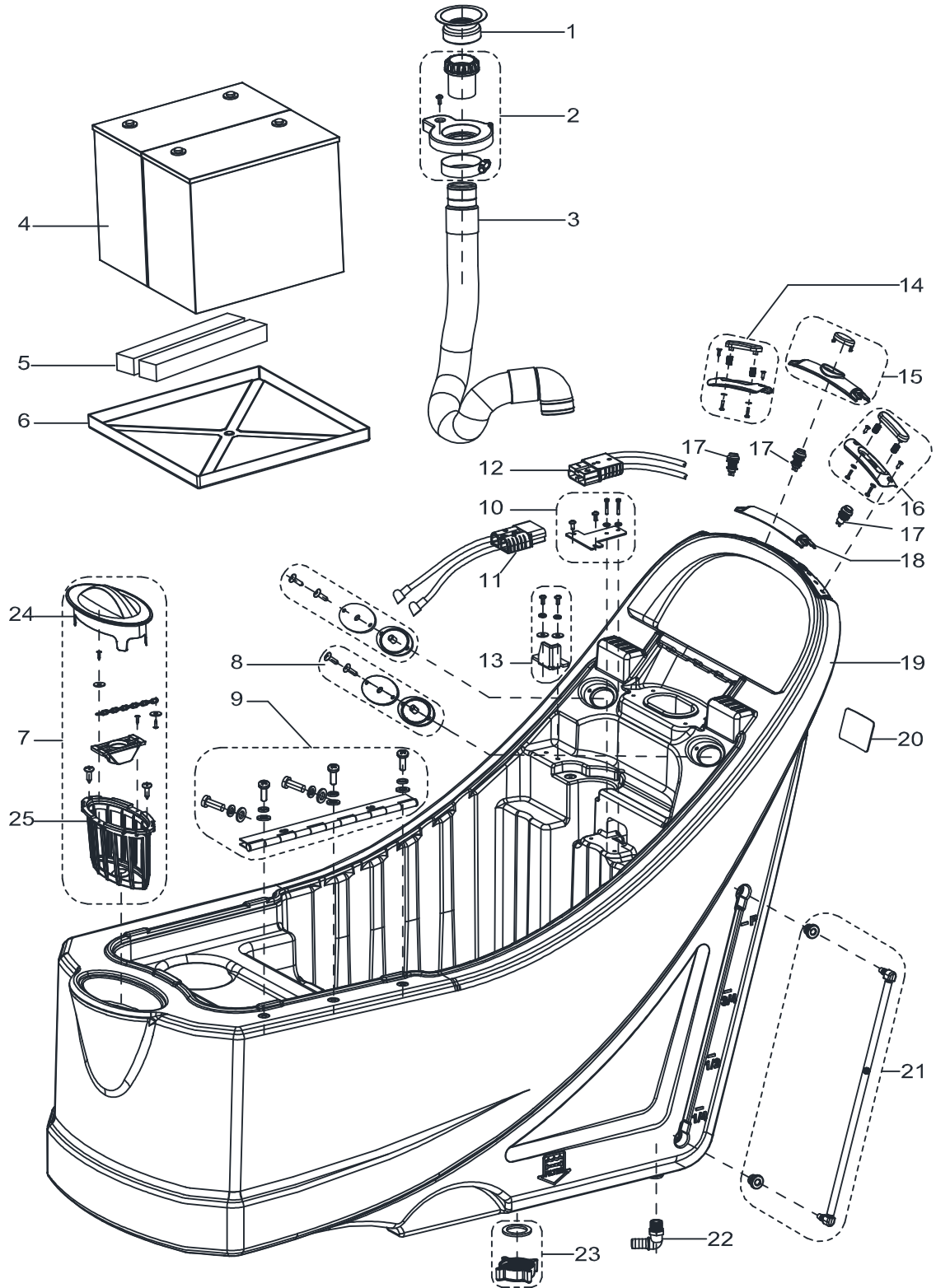
Overview .....	1
Solution tank .....	3
Recovery tank .....	5
Control system .....	7
Chassis .....	9
Wheels .....	11
Solution system .....	13
Head assembly .....	15
Squeegee .....	17
WEAR AND TEAR PARTS .....	19
Wiring diagram .....	21



Pos.	Artikel-Nr.	Menge	Variante	Notes
1		1	SAFETY SWITCH ASSEMBLY WITH TRACTION	
2		1	CONTROL PANEL ASSEMBLY	[1]
3		1	SOLUTION TANK ASSEMBLY	[2]
4		1	CONTROL BOX ASSEMBLY	[1]
6		1	CHASSIS ASSEMBLY	[3]
7		1	SQUEEGEE HOLDER ASSEMBLY	[4]
8		1	20 INCH SQUEEGEE ASSEMBLY	[4]
10		1	WHEEL ASSEMBLY WITH TRACTION	[5]
11		1	RECOVERY TANK LID ASSEMBLY	[6]
12		1	RECOVERY TANK ASSEMBLY	[6]
13		1	VACUUM MOTOR ASSEMBLY	
14		1	BATTERIES	
15		1	SOLUTION SYSTEM ASSEMBLY	[2]
17		1	BRUSH DECK ASSEMBLY	[7]
NS	VS10003	1	CARTON BOX AS5160	

Part Notes:

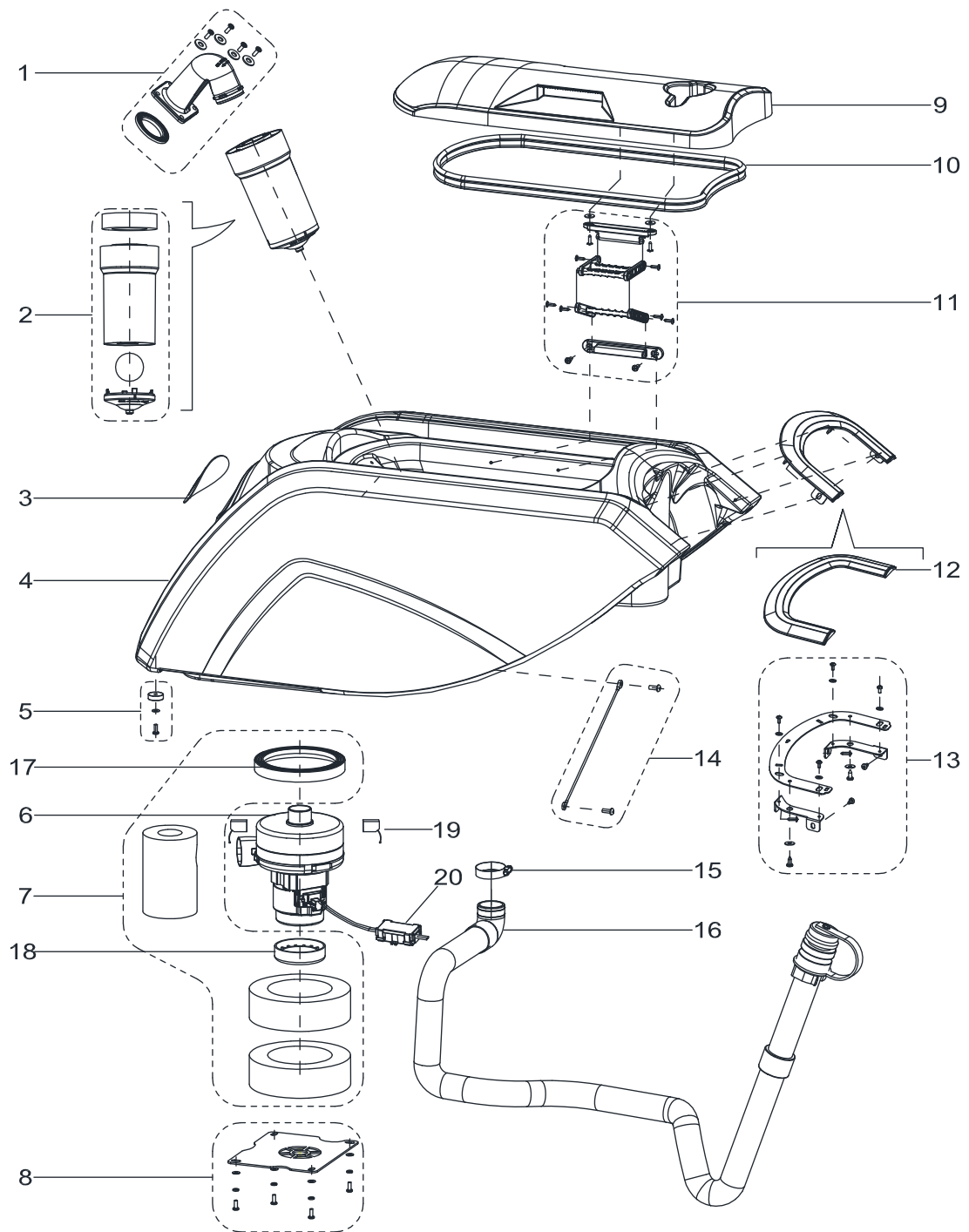
- [1] - Control system
- [2] - Solution tank
- [3] - Chassis
- [4] - Squeegee
- [5] - Wheels
- [6] - Recovery tank
- [7] - Head assembly



Pos.	Artikel-Nr.	Menge	Variante	Notes
1	VS10603	1	GASKET-DRAIN HOSE	
2	VS10101	1	SUCTION CONNECTER FRAME KIT	
3	VS10601	1	SUCTION HOSE	
4		2	BATTERY 100-115Ah/20h AGM	
5	VF90533	2	BATTERY SPACER PANEL	
6	VS10329	1	TRAY BATTERY	
7	VS10102	1	FILTER COVER KIT	
8	VF90265	2	SEAL PLATE KIT	
9	VS10103	1	HINGE KIT	
10	VS10104	1	CHARGE PULG BRACKET KIT	
11	VS13223	1	BATTERY CONNECTIONS	[1]
11	VS10227	1	BATTERY CONNECTIONS	[2]
11	VS10236	1	BATTERY CONNECTIONS TPPL	[3]
12	VS10207	1	HARNESS CONNECTER WITH TRACTION	
13	VS10105	1	FIXED BLOCK KIT	
14	VS10106	1	SAFETY SWITCH RIGHT KIT	[4]
15	VS11101	1	REVERSE SWITCH KIT	
16	VS10108	1	SAFETY SWITCH LEFT KIT	[4]
17	VS10202	3	SWITCH	[5]
19	VS12312	1	SOLUTION TANK ORBITAL	
20		1	SERIAL NUMBER LABEL	
21	VS10109	1	WATER LEVEL PIPE KIT	
22	VF81403P	1	UNION ELBOW	
23	VF90536	1	ABDECKUNGSSET WASSERABLAUF	
24	VS10312	1	FILTER COVER	
25	VS10313	1	FILTER SUPPORT	

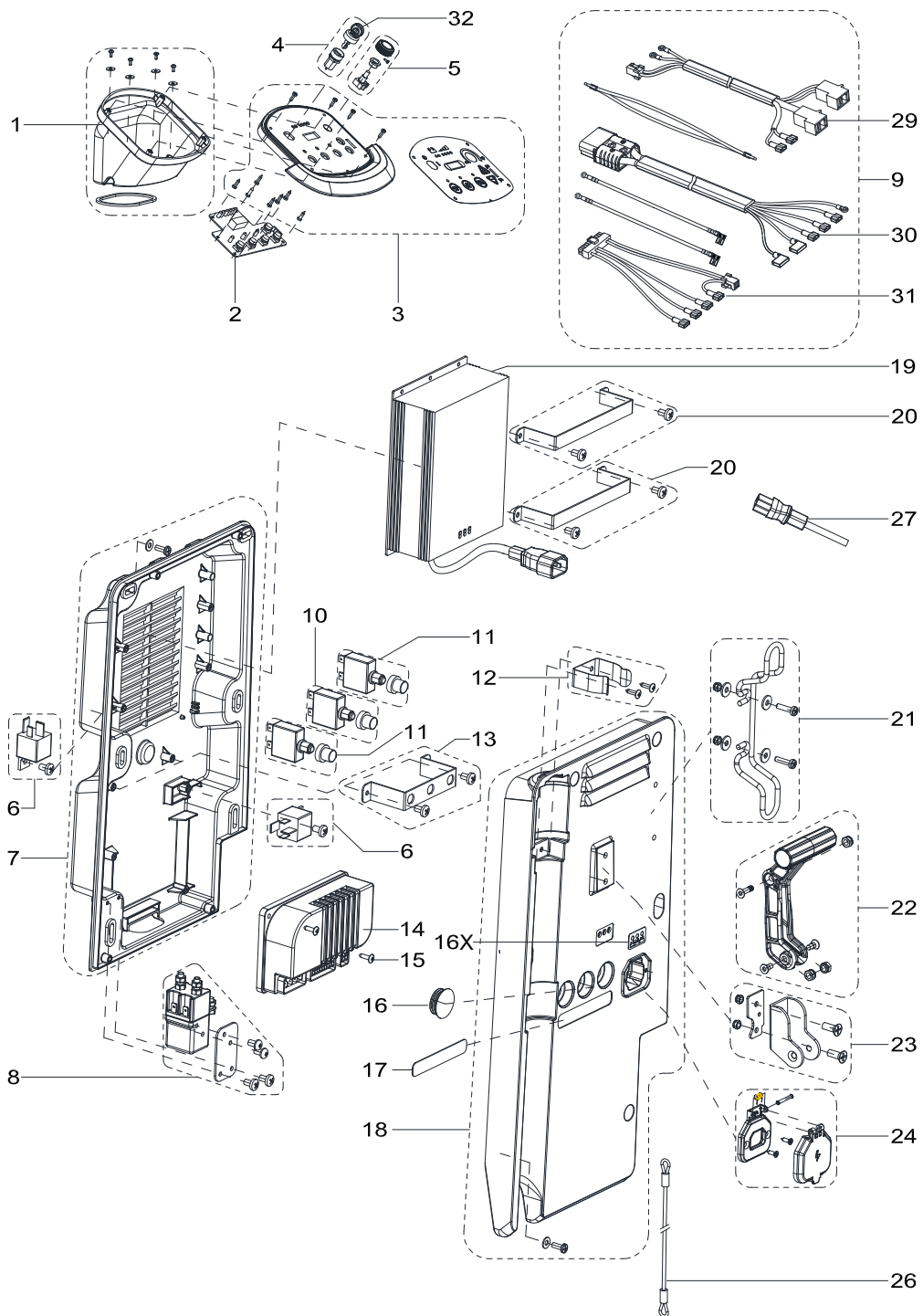
## Part Notes:

- [1] - EU
- [2] - US
- [3] - ONLY FOR TPPL BATTERY MACHINE
- [4] - TSB-FC-2019-038 drive switch SC530
- [5] - TSB-FC-2019-038 drive switch SC530  
DE TSB-FC-2019-038 SC530 Fahrschalter



Pos.	Artikel-Nr.	Menge	Variante	Notes
1	VS10110	1	ELBOW ADAPTOR KIT	
2	VF90534	1	FLOAT KIT	
3	VF90011	1	LOGO LABEL	
4	VS12314	1	RECOVERY TANK ORBITAL	
5	VS10111	1	RUBBER GASKET KIT	
6	VF90520	1	VACUUM MOTOR	
7	VS10112	1	GASKET VACUUM MOTOR KIT	
8	VS10113	1	VACUUM MOTOR COVER KIT	
9	VS10301	1	RECOVERY TANK LID	
10	VF90504	1	Dichtung für Schmutzwassertank	
11	VS10114	1	RETAINER-RECOVERY TANK LID	
12	VS10309	1	DECORATIVE PANEL	
13	VS10115	1	DECORATIVE PANEL BRACKET KIT	
14	VS10116	1	RECOVERY TANK CABLE KIT	
15	VA20304	1	CLAMP	
16	VS10602	1	Ablassschlauch- DIA.38MM	
17	VA80770	1	GASKET	
18	VF90523	1	TOP GASKET OF VACUUM MOTOR	
19	VF90522	2	KOHLEBÜRSTE FÜR VAKUUMMOTOR	
20	VR27100	1	WATERPROOF CASE	

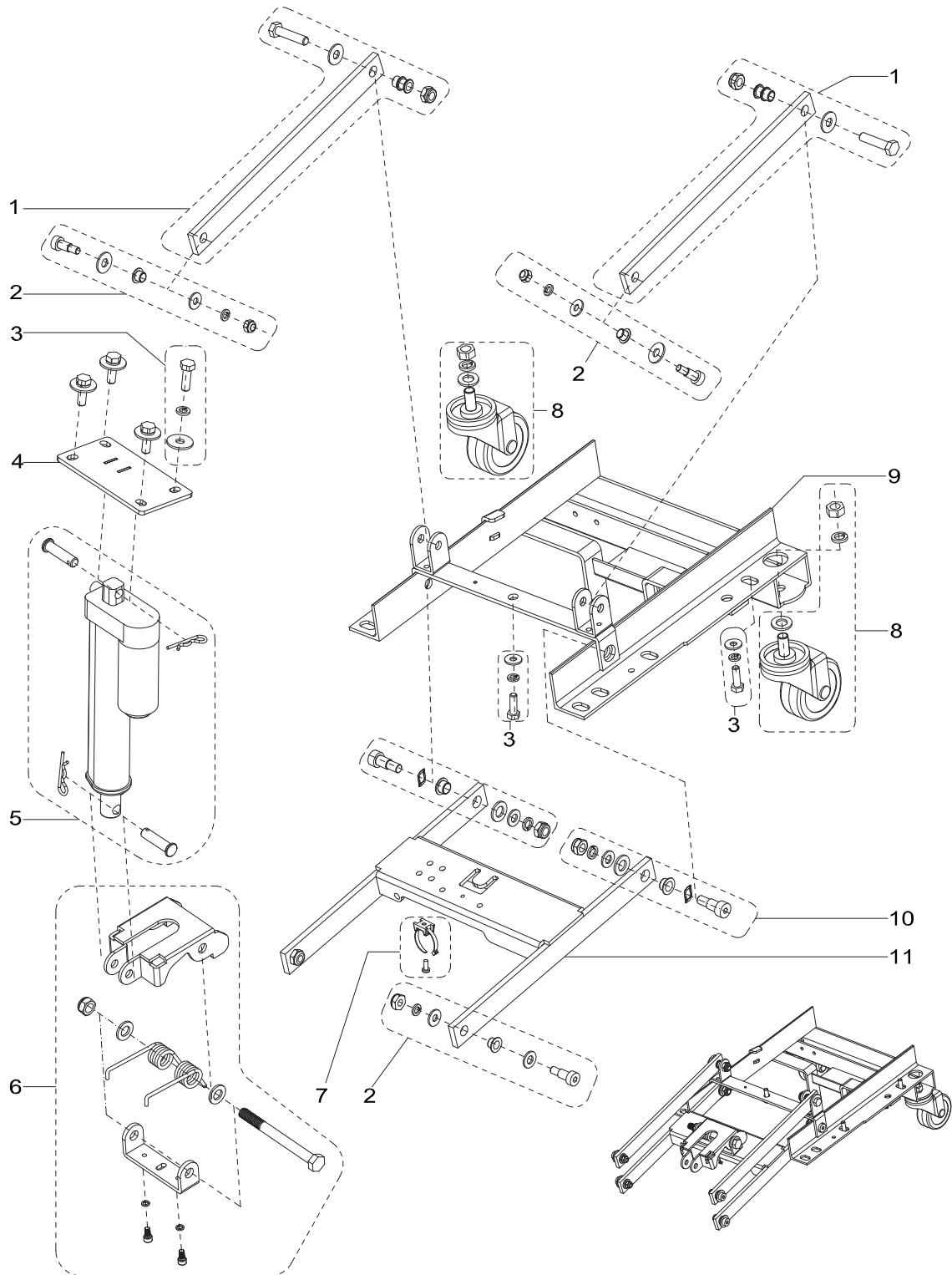




Pos.	Artikel-Nr.	Menge	Variante	Notes
1	VS10117	1	PCB BOX KIT	
2	VS12202	1	CONTROL PANEL BOARD ORBITAL	
3	VS12101	1	CONTROL PANEL WITH TRACTION ORBITAL	
4	9100001354	1	Schlüsselschalter komplett	
5	VS10120	1	SPEED ADJUSTMENT KNOB KIT	
6	VS10230	2	RELAY 24V KIT	
7	VS10121	1	CONTROL BOX BOTTOM KIT	
8	VS10231	1	ELECTROMAGNETIC SWITCH KIT	
9	VS12103	1	HARNESS MACHINE KIT ORBITAL EU	[1]
9	VS12102	1	HARNESS MACHINE KIT ORBITAL	[2]
10	VS13783	1	CIRCUIT BREAKER KIT	
11	VS10232	2	CIRCUIT BREAKER KIT	
12	VF90275	1	CLAMP DRAIN HOSE KIT	
13	VS10122	1	FIX BRACKET KIT	
14	VS13215	1	ELECTRONIC BOARD TRACTION SYSTEM	
15	VA80758	2	SCREW	
16X	VF90004	1	LABEL BATTERY LEVEL	[2]
17	VS11002	1	RESET LABEL WITH TRACTION	
18	VS10124	1	CONTROL BOX COVER KIT	
19	VS13261	1	CHARGER 24V 13A EU	
19		1	SHELF CHARGER KIT 24V 25A US	[3]
19	VS13260	1	CHARGER 24V 13A US	
20	VS10125	2	CHARGER FIX BRACKET KIT	
21	VF90280	1	CORD WRAP KIT	
22	VF90277	1	HANDLE LIFT KIT	
23	VF90276	1	HAND BRACKET KIT	
24	VS10126	1	CHARGER SOKET KIT	
26	VS10502	1	CABLE SQUEEGEE LIFT	
27	VF89724	1	CHARGING CABLE FOR US 300V 16AWG	
27	VF89725	1	LADEGERÄT NETZKABEL EU-STECKER	
27	VF89726	1	CHARGER POWER CABLE UK PLUG	
27	VF89721	1	CHARGER POWER CABLE CN PLUG	
29	VS10270	1	HARNESS BRUSH MOTER ORBITAL	
30	VS10207	1	HARNESS CONNECTER WITH TRACTION	
31	VS13280	1	HARNESS CONTROL CIRCUIT ORBITAL	
32	146 2887 000	1	Schlüssel (2 Stück)	
33	VF90004	1	LABEL BATTERY LEVEL	

## Part Notes:

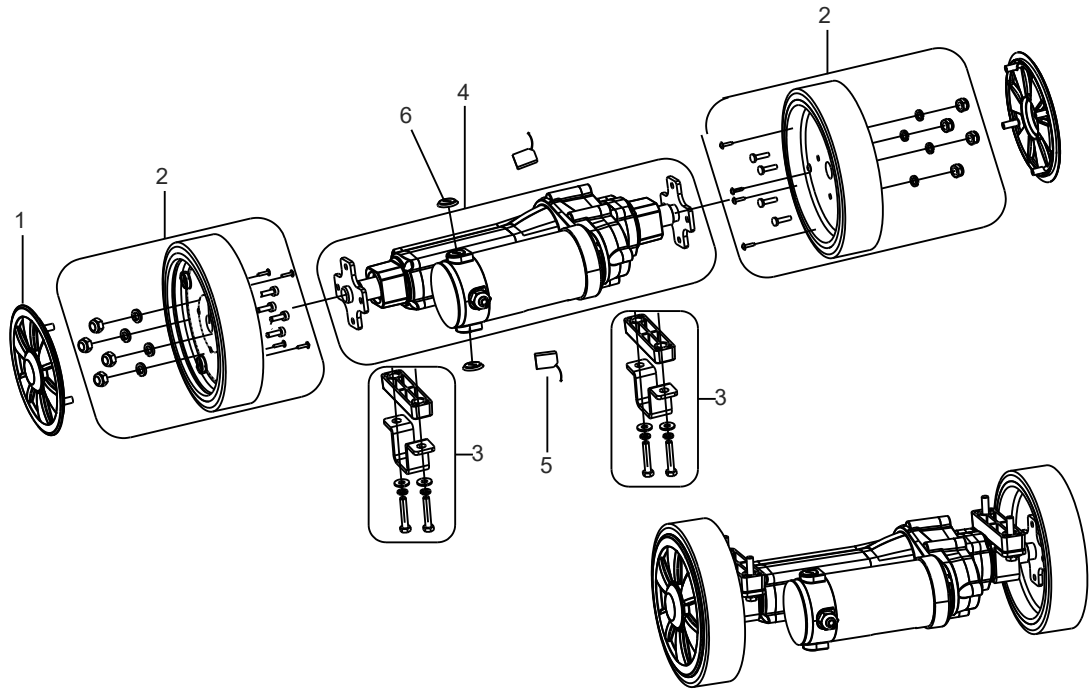
- [1] - EU  
 [2] - US  
 [3] - ONLY FOR TPPL BATTERY MACHINE



---

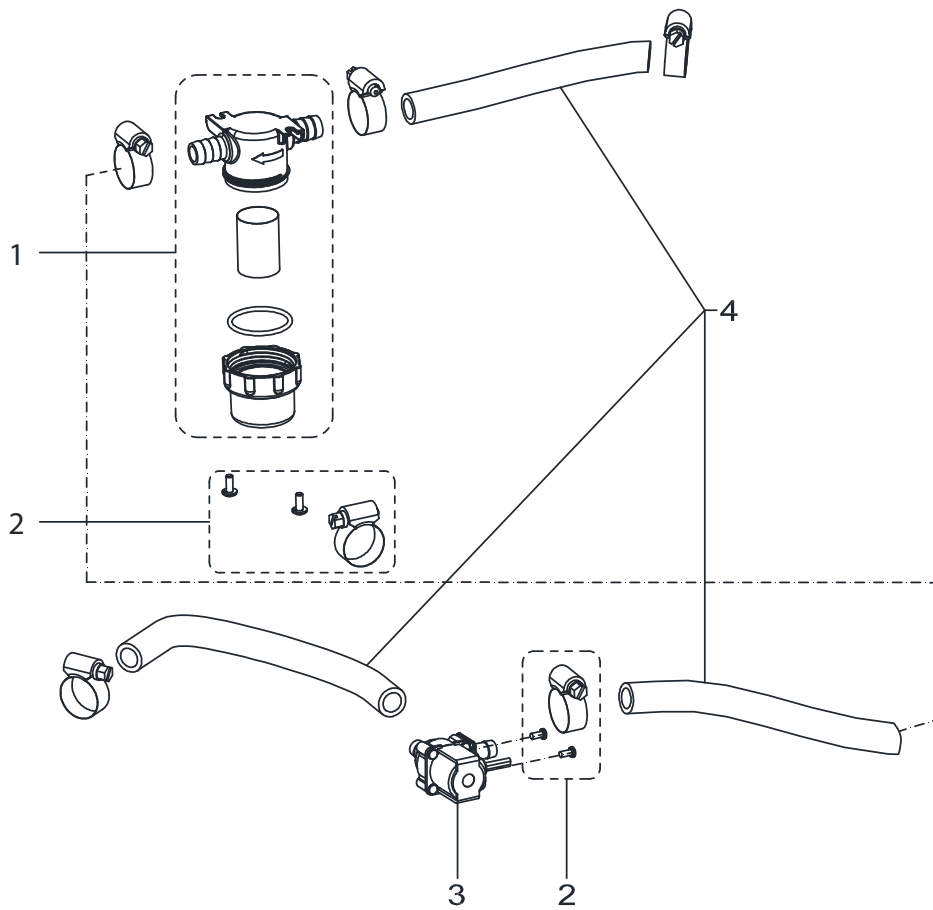
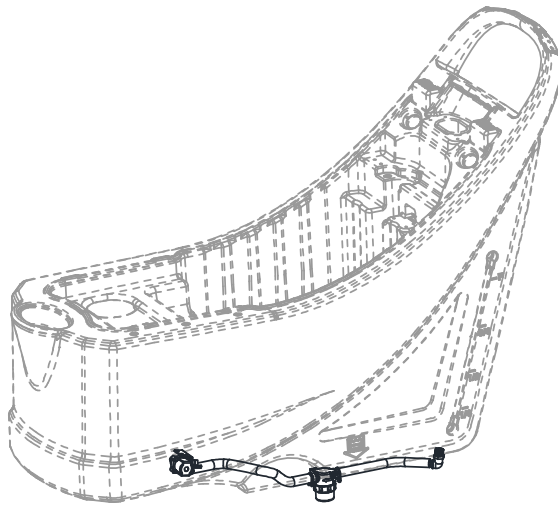
<b>Pos.</b>	<b>Artikel-Nr.</b>	<b>Menge</b>	<b>Variante</b>	<b>Notes</b>
1	VS13760	2	CONNECTING ROD WITH SCREW K2	
2	VS10136	4	SCREW KIT 3	
3	VS10135	3	SCREW KIT 2	
4	VS12410	1	ACTUATOR HOLDER	
5	VS13762	1	ACTUATOR KIT	
6	VS13763	1	SPRING HOLDER KIT	
7	VS13702	1	WIRE CLASPS KIT	
8	VS13757	2	3 INCH CASTER KIT	
9	VS13431	1	CHASSIS	
10	VS13761	2	SCREW KIT 4 FOR CHASSIS	
11	VS10404	1	BRUSH LIFTING SUPPORT	

---



---

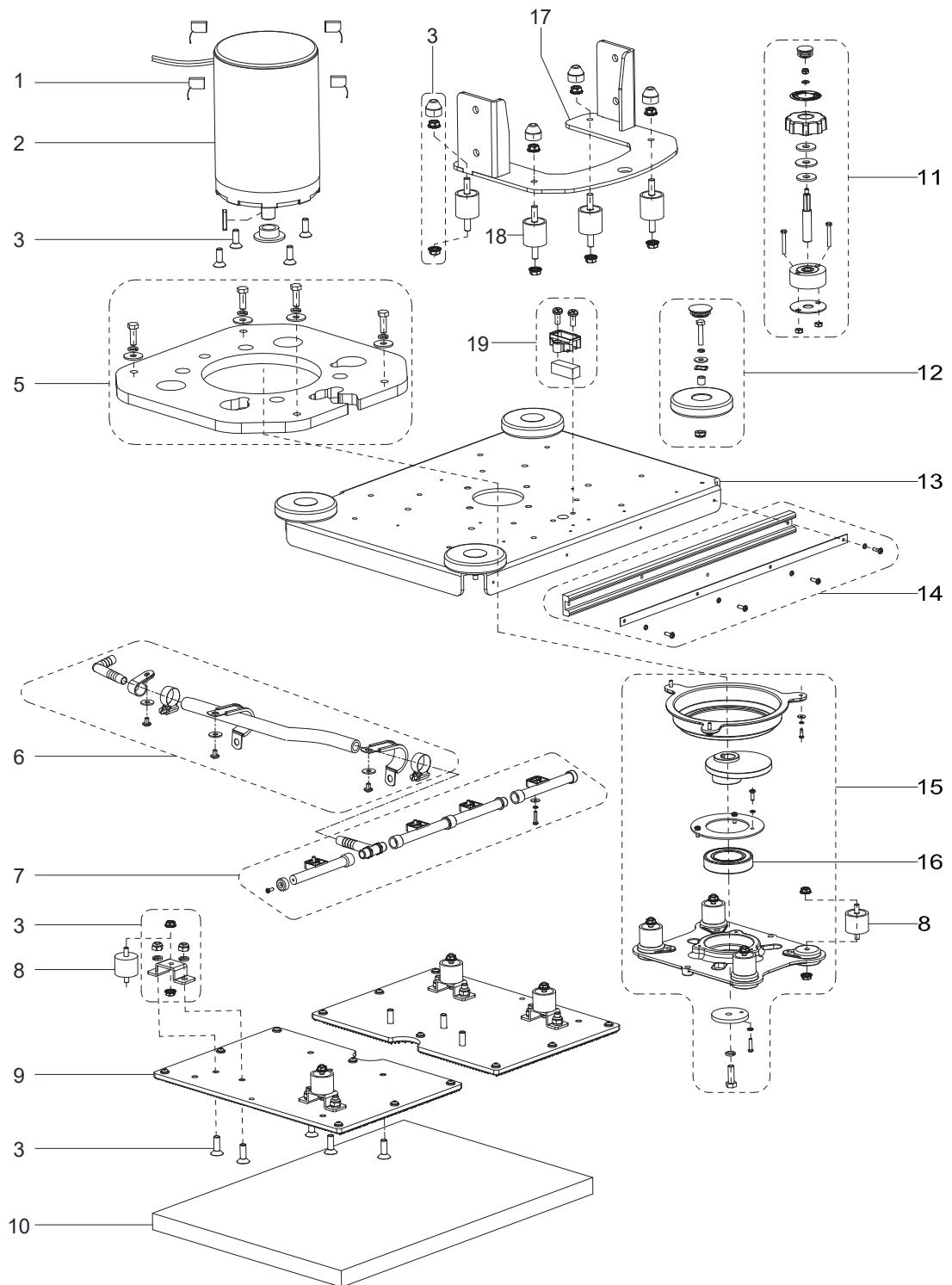
Pos.	Artikel-Nr.	Menge	Variante	Notes
1	VS10330	2	WHEEL-COVER	
2	VS11103	2	8INCH WHEEL KIT-TRACTION	
3	VS10147	2	TRACTION MOUNT KIT	
4	VS11702	1	MOTOR TRACTION	
5	VS11703	2	CARBON BRUSH KIT	
6	VS11707	2	CARBON BRUSH COVER PLASTIC	



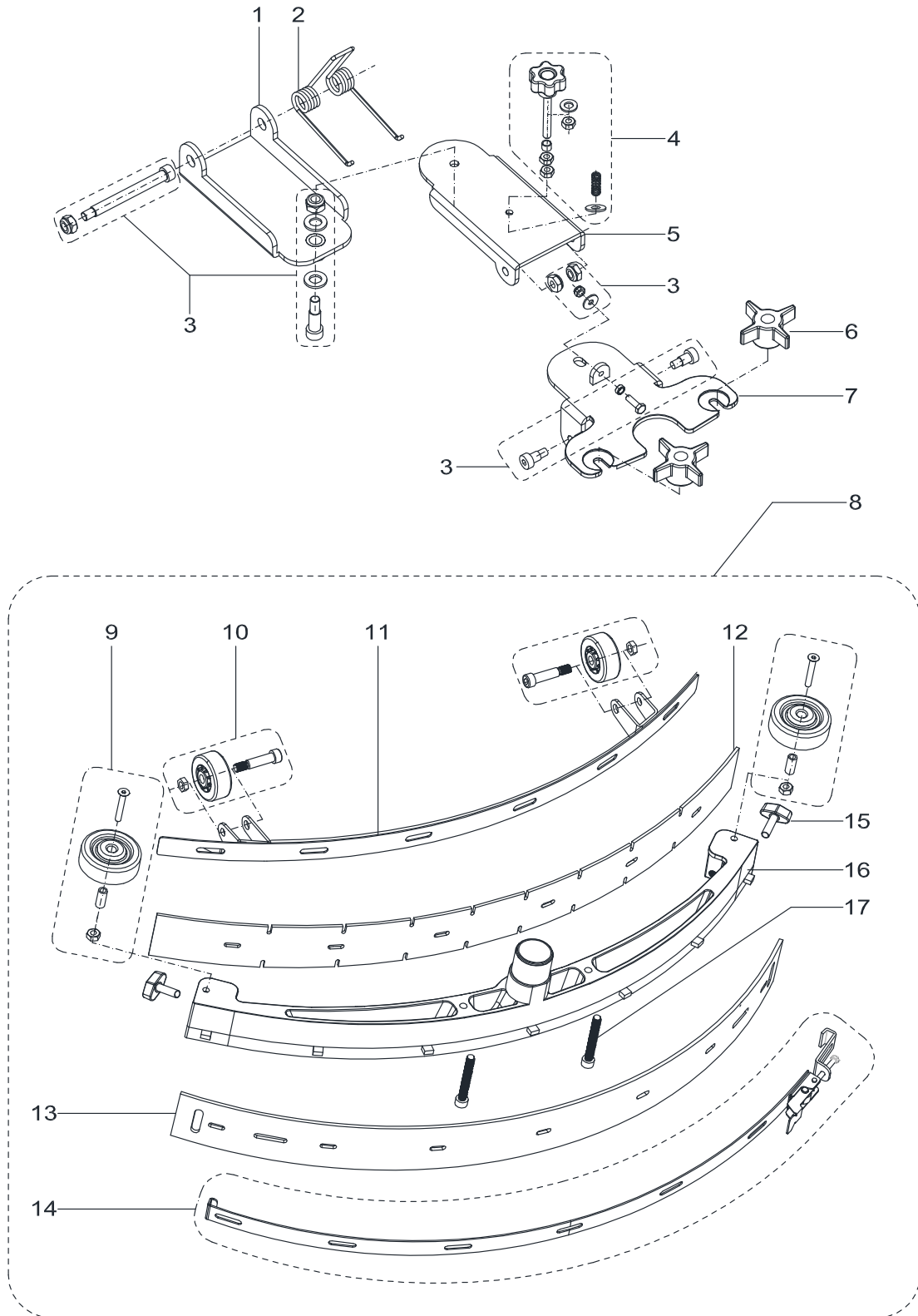
---

<b>Pos.</b>	<b>Artikel-Nr.</b>	<b>Menge</b>	<b>Variante</b>	<b>Notes</b>
1	VF90621	1	FILTER KIT	
2	VS10148	1	SCREW AND CLAMP KIT	
3	VF90282	1	Magnetventil für AS430/510B+C	
4	VS13793	1	STEEL TUBE KIT 750MM	





Pos.	Artikel-Nr.	Menge	Variante	Notes
1	VF91041	4	CARBON BRUSH	
2	VS14235	1	MOTOR ORB 750W 24V EU	
3	VS13766	1	SUPPORT LOWER ISOLATOR SCREW KIT	
5	VS12106	1	WEIGHT BLOCK KIT	
6	VS13772	1	INLET PIPE KIT	
7	VS13771	1	OUTLET PIPE KIT	
8	56382990	8	ISOLATOR-1.25 30 DURO 1/4-20	
9	VS13510	2	FLEX PLATE ASSY 20 INCH	
10	997020	1	Pad 510x360mm, Rot VPE5	
11	VS12104	1	HORIZONTAL ADJUSTMENT KIT	
12	VS10133	4	BUMPER ROLLER KIT	
13	VS12402	1	PLATE MAIN 20 INCH ORBITAL	
14	VS13769	1	20 INCH RUBBER BUMPER KIT	
15	VS13770	1	DRIVER PLATE KIT	
16	50736A	1	Lager	
17	VS13417	1	PLATE HEAD DECK	
18	56380272	4	ISOLATOR-50 DURO 5/16-18	
19	VS13768	4	LEVEL KIT	



Pos.	Artikel-Nr.	Menge	Variante	Notes
1	VS10401	1	FRONT SQUEEGEE SUPPORT	
2	VF82172	1	LOCK SPRING	
3	VS13711	1	HARDWARE SQUEEGEE SUPPORT KIT	
4	VF90141	1	Justierknopf	
5	VF90110	1	BACK-SQUEEGEE-SUPPORT	
6	VF81210	2	Flügelmutter	
7	VF90109	1	SQUEEGEE-SUPPORT	
8	VF90135	1	20 SQUEEGEE KIT	
9	VF90137	2	ROLLER KIT BUMPER	
10	VF90136	2	SQUEEGEE ROLL WHEEL KIT	
11	VF90118	1	20INCH STRAP SQUEEGEE FRONT	
12	VF90119	1	20 BLADE FRONT	
12	VF90148	1	Sauglippen	[1]
13	VF90120	1	20 BLADE REAR	
13	VF90149	1	Sauglippen	[1]
14	VF90139	1	20INCH STRAP SQUEEGEE BACK KIT	
15	VF85420	2	KNOB CT 476/30 S-P-M8X30 BP INOX / SS	
16	VF90117	1	SQUEEGEE 20	
17	VF90127	2	SQUEEGEE SCREW	

## Part Notes:

[1] - Optional



Pos.	Artikel-Nr.	Menge	Variante	Notes
1	VS10603	1	GASKET-DRAIN HOSE	
2	VS10601	1	SUCTION HOSE	
3	VS10102	1	FILTER COVER KIT	
4	VS10202	3	SWITCH	[1]
5	VS10109	1	WATER LEVEL PIPE KIT	
6	VF90536	1	ABDECKUNGSSET WASSERABLAUF	
7	VS10110	1	ELBOW ADAPTOR KIT	
8	VF90534	1	FLOAT KIT	
9	VF90520	1	VACUUM MOTOR	
10	VF90504	1	Dichtung für Schmutzwassertank	
11	VS10114	1	RETAINER-RECOVERY TANK LID	
12	VS10602	1	Ablassschlauch- DIA.38MM	
13	VS12202	1	CONTROL PANEL BOARD ORBITAL	
14	9100001354	1	Schlüsselschalter komplett	
15	VS10230	2	RELAY 24V KIT	
16	VS10231	1	ELECTROMAGNETIC SWITCH KIT	
17	VS12102	1	HARNESS MACHINE KIT ORBITAL	
17	VS12103	1	HARNESS MACHINE KIT ORBITAL EU	
18	VS13783	1	CIRCUIT BREAKER KIT	
19	VS10232	1	CIRCUIT BREAKER KIT	
20	VS13215	1	ELECTRONIC BOARD TRACTION SYSTEM	
22	VS13261	1	CHARGER 24V 13A EU	
22	VS13260	1	CHARGER 24V 13A US	
23	VS10502	1	CABLE SQUEEGEE LIFT	
24	VS13757	2	3 INCH CASTER KIT	
26	VS13756	2	8 INCH WHEEL TRACTION KIT	
27	VS11704	1	250W MOTOR TRACTION	
28	VF90621	1	FILTER KIT	
29	VF90282	1	Magnetventil für AS430/510B+C	
30	VS10702	1	BRUSH MOTOR KIT	
31	VS14235	1	MOTOR ORB 750W 24V EU	
32	VS10337	1	ELBOW	
33	VF90417	1	20BRUSH	
35	VF90454	1	20INCH PAD HOLDER	
36	VS10133	2	BUMPER ROLLER KIT	
37	VF90141	1	Justierknopf	
38	VF81210	2	Flügelmutter	
39	VF90137	2	ROLLER KIT BUMPER	
40	VF90136	2	SQUEEGEE ROLL WHEEL KIT	
41	VF90119	1	20 BLADE FRONT	
42	VF90120	1	20 BLADE REAR	
43	VF85420	2	KNOB CT 476/30 S-P-M8X30 BP INOX / SS	

## Part Notes:

[1] - TSB-FC-2019-038 drive switch SC530



Pos.	Artikel-Nr.	Menge	Variante	Notes
BAT		1	24V BATTERIES	
CH	VR27040	1	CHARGER 24V 10A EU	
CH	VS10243	1	CHARGER 24V 10A CN	
CH	VS10240	1	BATTERY CHARGER 24V 10A	[1]
EB1	VS10250	1	CONTROL PANEL BOARD	
EB2	VS13215	1	ELECTRONIC BOARD TRACTION SYSTEM	
ES1	909 5127 000	1	Relais 24 V	
ES2	VS10201	1	RELAY 24V	
ES3	VS10201	1	RELAY 24V	
F1	VS13208	1	LOW POWER CIRCUIT FUSE	
F2	ZD48320	1	SCHUTZSCHALTER 30A	[2]
F3	VS13208	1	LOW POWER CIRCUIT FUSE	
F4	VF99010C	1	CIRCUIT BREAKER 17AMPS	
F5	ZD48320	1	SCHUTZSCHALTER 30A	
K1	9100001354	1	Schlüsselschalter komplett	
M1	VS10702	1	BRUSH MOTOR KIT	
M2	VF90520	1	VACUUM MOTOR	
M5	VS10704	1	ACTUATOR	
EV	VF90282	1	Magnetventil für AS430/510B+C	
SW1	VS10202	1	SWITCH	[3]
SW2	VS10202	1	SWITCH	[3]
SW3	VS10202	1	SWITCH	[3]
VR1	VS10213	1	POTENTIOMETER	

## Part Notes:

- [1] - US
- [2] - TSB-FC-2019-025 brush circuit breaker
- [3] - TSB-FC-2019-038 drive switch SC530



