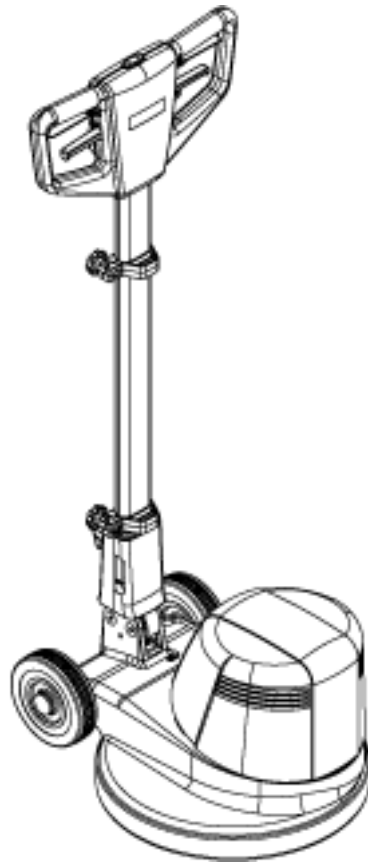


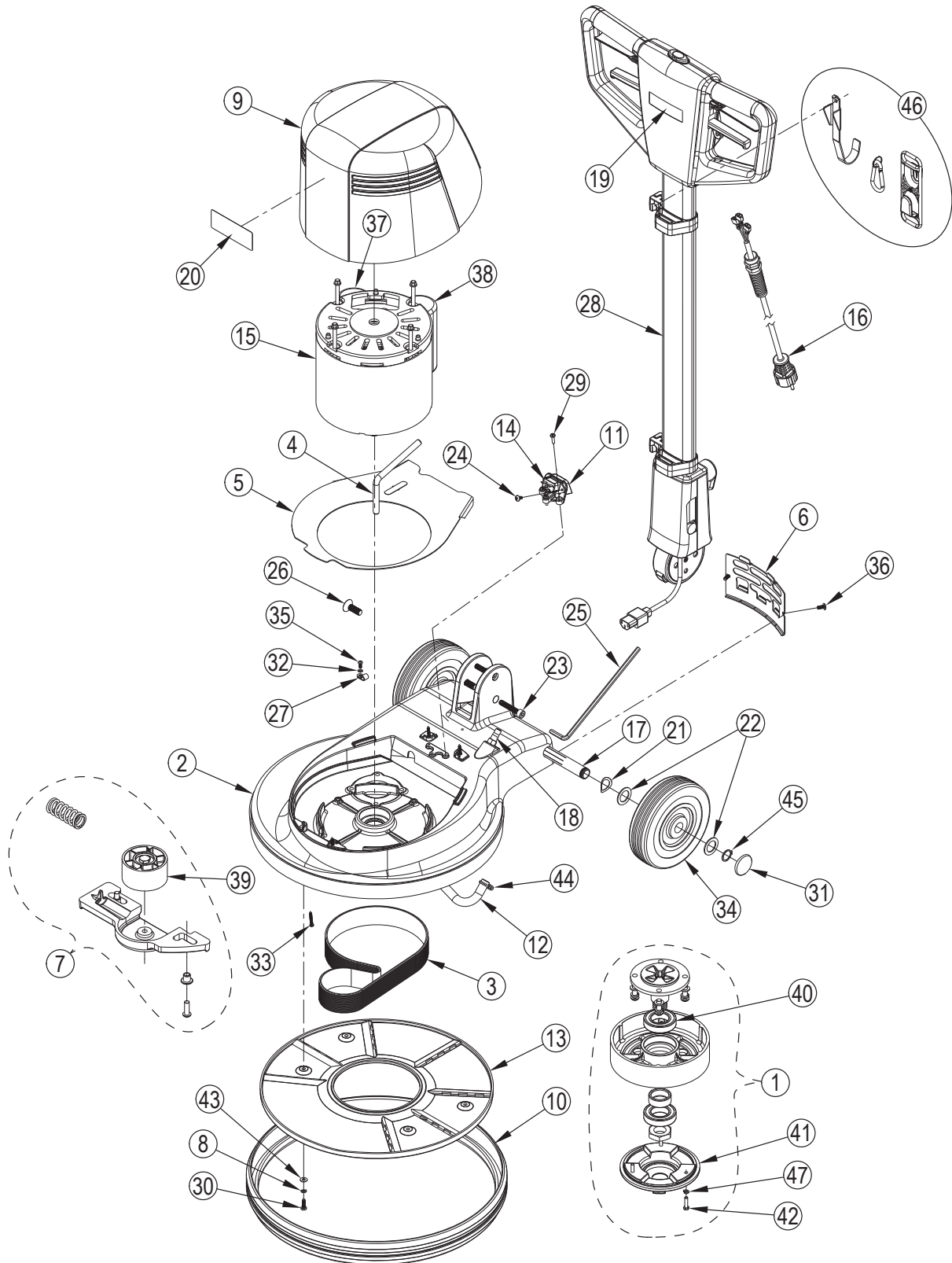
PARTS LIST



2022.03.28

TABLE OF CONTENTS

| | |
|---------------------------------|----|
| Base system FM400 L | 1 |
| Handle system | 4 |
| Recommended spare parts | 7 |
| Brush selector guide | 10 |
| Accessories | 12 |
| Solution tank kit 10104A | 14 |
| Foam generator kit 11294A | 16 |
| Spray buff kit 11295A | 18 |

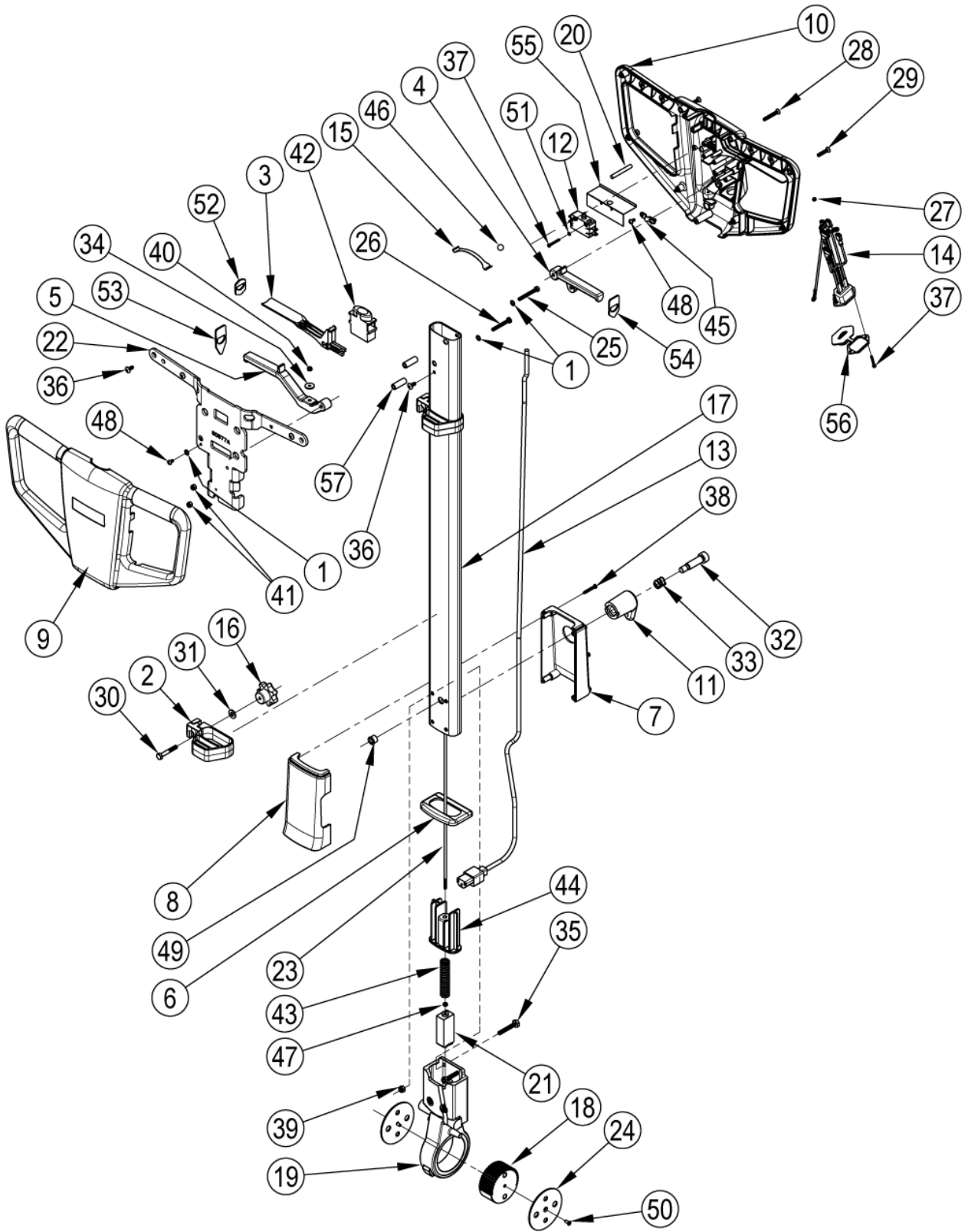


| Pos. | Artikel-Nr. | Menge | Variante | Notes |
|------|-------------|-------|--|-------|
| 1 | 56380089 | 1 | Drehachse | [1] |
| 2 | 56380093 | 1 | MAINFRAME NILFISK FM400 | |
| 3 | 56380104 | 1 | BELT POLY V 838 PJ16 | |
| 4 | | 1 | Inlet Tubing | [2] |
| 5 | 56381565 | 1 | COOLING PLATE | |
| 6 | 56381566 | 1 | BACK COVER | |
| 7 | 56381579 | 1 | BELT TENSION ASM | [3] |
| 8 | | 4 | Washer M5 Helical Lock | [4] |
| 9 | | 1 | Cover-Low Speed Nilfisk | [5] |
| 10 | 30272A | 1 | Stoßleiste | |
| 11 | | 1 | Mount Inlet | [6] |
| 12 | | 1 | Hose Solution | [2] |
| 13 | | 1 | Cover Bottom | [4] |
| 14 | | 1 | Inlet IEC 60320 C14 | [6] |
| 15 | 56384180 | 1 | MOTOR LOW SPEED | [7] |
| 15 | 53190A | 1 | START SWITCH | [8] |
| 15 | YLQ33206 | 1 | | |
| 16 | 40268A | 1 | Anschlußkabel | |
| 16 | 40249A | 1 | CORD POWER UK | |
| 17 | 61956A | 1 | Achse | |
| 18 | | 1 | Hosebarb Straight | [2] |
| 19 | | 1 | Label Handle Nilfisk | [9] |
| 20 | | 1 | Label Cover Motor FM400 | [9] |
| 21 | | 2 | Washer Bowed 20mm | [10] |
| 22 | | 4 | Washer Flat 20mm | [10] |
| 23 | | 2 | Screw M8 - 1 X 45 Socket Recess | [11] |
| 24 | | 2 | Screw St4.2-1.4 X16 Ss Truss Hd Ph | [6] |
| 25 | | 1 | Wrench Allen 6mm | [11] |
| 26 | | 2 | Screw M10-1.5 X 30 Flat Head | [11] |
| 27 | | 1 | Clamp-1/4 Cable/Tubing | [11] |
| 28 | 56382011 | 1 | NILFISK HANDLE ASM W/CEE 7/7 | |
| 28 | 56382012 | 1 | NILFISK HANDLE ASM W/BS-1363 | |
| 29 | | 3 | Scr, M4.7x16mm Pan Cross Recess Thd Form | [6] |
| 30 | | 4 | Screw M5-.8 X 16 | [4] |
| 31 | | 2 | Wheel Retainer | [10] |
| 32 | | 1 | Washer External Tooth M4 | [11] |
| 33 | | 4 | Screw St4-1.4 X 30 Pan Head | [12] |
| 34 | | 2 | Wheel 160mm Dia. Gray | [10] |
| 35 | | 1 | Scr M4 X 10 SS Pan Cross Recess | [11] |
| 36 | GT13054 | 2 | Flachkopfschraube M5x12 | |
| 37 | VF32109 | 1 | RUNNING CAPACITOR 20UF/600V | |
| 38 | VF999849 | 1 | START CAPACITOR 100F/300V | [13] |
| 39 | 56380090 | 1 | FLAT IDLER ASM | [3] |
| 40 | VF14061 | 2 | BEARING 6006 | [14] |
| 41 | 56380099 | 1 | DRIVER | [14] |
| 42 | | 3 | Scr-Hex SS M5-0.8 x 20 | [14] |
| 43 | | 4 | Washer M5 X 12 | [4] |
| 44 | | 1 | Hose Clamp 10MM | [2] |
| 45 | VF14004 | 2 | Sicherungsring | |
| 46 | 56382010 | 1 | CONVENIENCE KIT | |
| 47 | | 3 | Washer M5 Helical Lock | [14] |
| | | | Service Kits | |
| K1 | 11282A | 2 | Radkit | |
| K2 | 11287A | 1 | DECAL KIT NILFISK | |
| K3 | 56381563 | 1 | NILFISK MOTOR COVER KIT | |
| K5 | 56382001 | 1 | Befestigungskit | |
| K6 | 56380089 | 1 | Drehachse | [15] |
| K7 | 11284A | 1 | SOLUTION FITTINGS KIT | |
| K8 | 11267A | 1 | BOTTOM COVER KIT | |

| Pos. | Artikel-Nr. | Menge | Variante | Notes |
|------|-------------|-------|------------------|-------|
| K9 | 11283A | 1 | INLET KIT | |
| K10 | 56381579 | 1 | BELT TENSION ASM | |

Part Notes:

- [1] - K6
TSB-FC-2013-108 foam protection kit for SD
- [2] - K7
- [3] - K10
- [4] - K8
- [5] - K3
- [6] - K9
- [7] - Low Speed Motor 40258A is obsolete and replaced by 56384180. The prior version of the machine is still being used to depletion. A starting serial number will be established when the new version is built
- [8] - Only used on 56384180 AND 56384182
- [9] - K2
- [10] - K1
- [11] - K5
- [12] - K3,K4
- [13] - COMPLEXITY REDUCTION
- [14] - K6
- [15] - TSB-FC-2013-108 foam protection kit for SD



| Pos. | Artikel-Nr. | Menge | Variante | Notes |
|------|-------------|-------|--------------------------------------|-------|
| 1 | | 3 | WASHER SH 1210-00 | |
| 2 | | 2 | ACCESSORY CLAMP | |
| 3 | | 2 | LEVER SWITCH | |
| 4 | | 1 | LEVER SOLUTION | |
| 5 | | 1 | LEVER HANDLE ADJUSTMENT | |
| 6 | | 1 | CAP RUBBER | |
| 7 | | 1 | COVER REAR | |
| 8 | | 1 | COVER FRONT | |
| 9 | | 1 | COVER HANDLE FRONT | |
| 10 | | 1 | COVER HANDLE REAR | |
| 11 | | 1 | HOOK CORD | |
| 12 | 40263A | 1 | SWITCH DPST | |
| 13 | 40269A | 1 | INTERCONNECT CORD | |
| 14 | | 1 | OUTLET / WIRING ASSEMBLY | |
| 15 | | 1 | SPRING INTERLOCK BUTTON | |
| 16 | | 2 | KNOB CLAMP M6 | |
| 17 | | 1 | TUBE HANDLE | |
| 18 | | 1 | INDEX GEAR | |
| 19 | | 1 | HANDLE MOUNT | |
| 20 | | 4 | PIN HANDLE SUPPORT | |
| 21 | | 1 | PLUNGER | |
| 22 | | 1 | HANDLE SUPPORT | |
| 23 | | 1 | ROD INDEX | |
| 24 | | 2 | PLATE, GEAR HOUSING | |
| 25 | | 1 | SCREW M5 X 43 SS HEX HEAD | |
| 26 | | 1 | SCREW M5 X 40 SS PAN HEAD PHILLIPS | |
| 27 | | 2 | NUT HEX M3-0.5 SS | |
| 28 | | 2 | SCREW M5 X 35 SS FLAT HEAD PHILLIPS | |
| 29 | | 6 | SCREW M5 X 25 SS FLAT HEAD PHILLIPS | |
| 30 | | 2 | SCR M6-1 X40 HEX SS | |
| 31 | | 2 | WASHER FLAT 6.6X15.8X1.5 SS | |
| 32 | | 1 | SCR SHOULDER 12MM X 35MM, M10-1.5 | |
| 33 | | 1 | SPRING 15 MM X 15 MM LONG | |
| 34 | | 1 | WASHER M4 X16 | |
| 35 | | 4 | SCREW M6 X 40 SS HEX HEAD | |
| 36 | | 5 | SCREW M5 X 12 SS TRUSS HEAD PHILLIPS | |
| 37 | | 4 | SCREW M3 X 25 SS PAN HEAD PHILLIPS | |
| 38 | | 4 | SCREW ST4-1.4 X 30 PAN HEAD1 | |
| 39 | | 4 | NUT M6 SS NYLON INSERT | |
| 40 | | 1 | NUT M4 SS NYLON INSERT | |
| 41 | | 2 | NUT M5 SS NYLON INSERT | |
| 42 | | 1 | BUTTON INTERLOCK | |
| 43 | | 1 | SPRING COMPRESSION | |
| 44 | | 1 | HOUSING SPRING BLACK | |
| 45 | | 1 | CLAMP CORD | |
| 46 | | 1 | BALL INTERLOCK 10MM | |
| 47 | | 1 | NUT M4 SS JAM | |
| 48 | | 4 | SCREW, M4 X 8 SS PAN HEAD PHILLIPS | |
| 49 | | 1 | BUSHING-OPEN/CLOSED .50 | |
| 50 | | 2 | SCR M4-.7 X 10MM FLT PHILLIPS | |
| 51 | | 2 | WASHER M3 EXTERNAL TOOTH | |
| 52 | | 2 | SWITCH LEVER SEAL | |
| 53 | | 1 | RELEASE LEVER SEAL | |
| 54 | | 1 | ACCESSORY LEVER SEAL | |
| 55 | | 1 | SWITCH DRIP GUARD | |
| 56 | VF73708 | 1 | WATERPROOF CAP | |
| 57 | | 2 | SUPPORT HANDLE TUBE | |
| | | | Service kits | |
| K1 | 11269A | 1 | CORD WRAP KIT | [1] |

| Pos. | Artikel-Nr. | Menge | Variante | Notes |
|------|-------------|-------|----------------------------|-------|
| K2 | 11280A | 1 | Hangriffkit | [2] |
| K3 | 11273A | 1 | Befestigungskit für Griff | [3] |
| K4 | 11274A | 1 | HANDLE SWITCH LEVER KIT | [4] |
| K5 | 11286A | 1 | RELEASE SPRING AND ROD KIT | [5] |
| K6 | 56381560 | 1 | POLISHER GEAR SET KIT | [6] |
| K7 | 56381561 | 1 | Führungsstange | [7] |
| K8 | 11270A | 1 | OUTLET KIT | [8] |
| K9 | 11268A | 2 | MOUNT ACCESSORY KIT | [9] |
| K10 | 11271A | 1 | Abdeckungskit | [10] |

Part Notes:

- [1] - POS. 11, 32, 33
- [2] - POS. 9, 10, 28, 29
- [3] - POS. 1, 22, 25, 26, 36, 41
- [4] - POS. 3, 4, 5, 15, 20, 34, 37, 40, 42, 45, 46, 48, 51, 52, 53, 54, 55
- [5] - POS. 23, 34, 40, 43, 47
- [6] - POS. 18, 21, 24, 50
- [7] - POS. 17, 19, 35, 39, 44
- [8] - POS. 14, 27, 37
- [9] - POS. 2, 16, 30, 31
- [10] - POS. 6, 7, 8, 38, 49

**No
Diagram
Available**

**Parts List
Only**

| Pos. | Artikel-Nr. | Menge | Variante | Notes |
|------|-------------|-------|-------------------------------|-------|
| | | | FINAL ASSEMBLY | |
| | | | Extra-Ordinary Maintenance | |
| | 40268A | 1 | Anschlußkabel | |
| | 40249A | 1 | CORD POWER UK | |
| | 56382010 | 1 | CONVENIENCE KIT | |
| | 56382011 | 1 | NILFISK HANDLE ASM W/CEE 7/7 | [1] |
| | 56382012 | 1 | NILFISK HANDLE ASM W/BS-1363 | [2] |
| | | | BASE SYSTEM | |
| | | | Ordinary Maintenance | |
| | 56380090 | 1 | FLAT IDLER ASM | |
| | 56380099 | 1 | DRIVER | |
| | 56380104 | 1 | BELT POLY V 838 PJ16 | |
| | 30272A | 1 | Stoßleiste | |
| | 56168786 | 1 | Stromkreisunterbrecher | [3] |
| | 56384044 | 1 | ROTARY SWITCH | |
| | 56384432 | 1 | CIRCUIT BREAKER BOOT | |
| | 47378A | 1 | Anlassschalter | [4] |
| | VF14061 | 2 | BEARING 6006 | |
| | VF32109 | 1 | RUNNING CAPACITOR 20UF/600V | [5] |
| | VF999848 | 1 | RUN CAPACITOR 23F/500V | [6] |
| | VF999849 | 1 | START CAPACITOR 100F/300V | [7] |
| | GT17004 | 1 | CAPACITOR | [8] |
| | GT17003 | 1 | CAPACITOR | [9] |
| | | | Extra-Ordinary Maintenance | |
| | 56380089 | 1 | Drehachse | [10] |
| | 56380093 | 1 | MAINFRAME NILFISK FM400 | [11] |
| | 56380094 | 1 | MAINFRAME NILFISK FM400 H | [12] |
| | 56381562 | 1 | SADDLE START SWITCH | [4] |
| | 56381566 | 1 | BACK COVER | |
| | 56381565 | 1 | COOLING PLATE | |
| | 56381579 | 1 | BELT TENSION ASM | |
| | 11287A | 1 | DECAL KIT NILFISK | |
| | 56381563 | 1 | NILFISK MOTOR COVER KIT | |
| | 56384153 | 1 | COVER HIGH SPEED NILFISK KIT | |
| | 56384047 | 1 | COVER -DUAL SPEED NILFISK KIT | |
| | 11267A | 1 | BOTTOM COVER KIT | |
| | 11282A | 2 | Radkit | |
| | 11283A | 1 | INLET KIT | |
| | 11284A | 1 | SOLUTION FITTINGS KIT | |
| | 56384180 | 1 | MOTOR LOW SPEED | |
| | 56384181 | 1 | MOTOR DUAL SPEED | |
| | 56384182 | 1 | MOTOR HIGH SPEED | |
| | 61956A | 1 | Achse | |
| | 53190A | 1 | START SWITCH | [13] |
| | | | HANDLE ASSEMBLY | |
| | | | Ordinary Maintenance | |
| | 11268A | 2 | MOUNT ACCESSORY KIT | |
| | 11274A | 1 | HANDLE SWITCH LEVER KIT | |
| | 40263A | 1 | SWITCH DPST | |
| | | | Extra-Ordinary Maintenance | |
| | 56381560 | 1 | POLISHER GEAR SET KIT | |
| | 56381561 | 1 | Führungsstange | |
| | 11269A | 1 | CORD WRAP KIT | |
| | 11270A | 1 | OUTLET KIT | |
| | 11271A | 1 | Abdeckungskit | |
| | 11273A | 1 | Befestigungskit für Griff | |
| | 11280A | 1 | Hangriffkit | |
| | 11286A | 1 | RELEASE SPRING AND ROD KIT | |
| | 40269A | 1 | INTERCONNECT CORD | |

| Pos. | Artikel-Nr. | Menge | Variante | Notes |
|------|-------------|-------|----------------|-------|
| | VF73708 | 1 | WATERPROOF CAP | |

Part Notes:

- [1] - includes PN 40268A
- [2] - includes PN 40249A
- [3] - GUARANTEE DATE EXPIRED
- [4] - COMPLEXITY REDUCTION
- [5] - FM400 L, FM400 L UK
- [6] - FM400 H, FM400 H UK, FM400 D, FM400 D UK
- [7] - COMPLEXITY REDUCTION

FM400 L, FM400 L UK
- [8] - FM400 D, FM400 D UK
- [9] - FM400 H, FM400 H UK
- [10] - TSBFC 2013-108 FM Spintec Schaumschutz Satz

TSB-FC-2013-108 foam protection kit for SD
- [11] - FM400
- [12] - FM400 D
- [13] - Only used on 56384180 AND 56384182. Revised or new since last update

BRUSH SELECTOR GUIDE

| 17" (430 mm) Brush Selection Chart (RECOMMENDED) | | | |
|--|---------------------------|---|-----------|
| Part No. | Description | Filament | Trim |
| 11296A | Polishing | Union Mix (50% PALMYRA 50% White Tampico) | Straight |
| 11297A | Carpet | Ø .30mm PA 66 Natural | Straight |
| 11298A | Light-Medium Cleaning | Ø .35mm PP Grey | Straight |
| 11299A | Medium-Heavy Cleaning | Ø .50mm PP Black | Straight |
| 11310A | Heavy Cleaning/ Stripping | 50/80/30 Silicon Carbide | Irregular |

| Description | P/N | 56380056 FM400 L | 56380057 FM400 L UK | 56380058 FM400 H | 56380060 FM400 H UK | 56380061 FM400 D | 56380062 FM400 D UK |
|--------------------------------|----------|------------------|---------------------|------------------|---------------------|------------------|---------------------|
| Polishing Brush | 11296A | | | X | X | X | X |
| Carpet Brush | 11297A | X | X | | | | |
| Light-Medium Cleaning Brush | 11298A | X | X | | | X | X |
| Medium Cleaning Brush | 11299A | X | X | | | X | X |
| Heavy Cleaning/Stripping Brush | 11310A | X | X | | | X | X |
| Brush-Shampoo Commercial Crpt | 56383868 | X | X | | | | |
| Pad Driver-Low Speed-430 MM | 11315A | X | X | | | X | X |
| Pad Driver-High Speed-Flex | 11316A | | | X | X | X | X |
| Pad Driver-High SP-Flex-Foam | 56381578 | | | X | X | X | X |
| BLACK 406mm PAD 5 PK | | X | X | | | X | X |
| BROWN 406mm PAD 5 PK | | X | X | | | X | X |
| GREEN 406mm PAD 5 PK | | X | X | | | X | X |
| BLUE 406mm PAD 5 PK | | X | X | | | X | X |
| RED 406mm PAD 5 PK | | X | X | X | X | X | X |
| WHITE 406mm PAD 5 PK | | X | X | X | X | X | X |

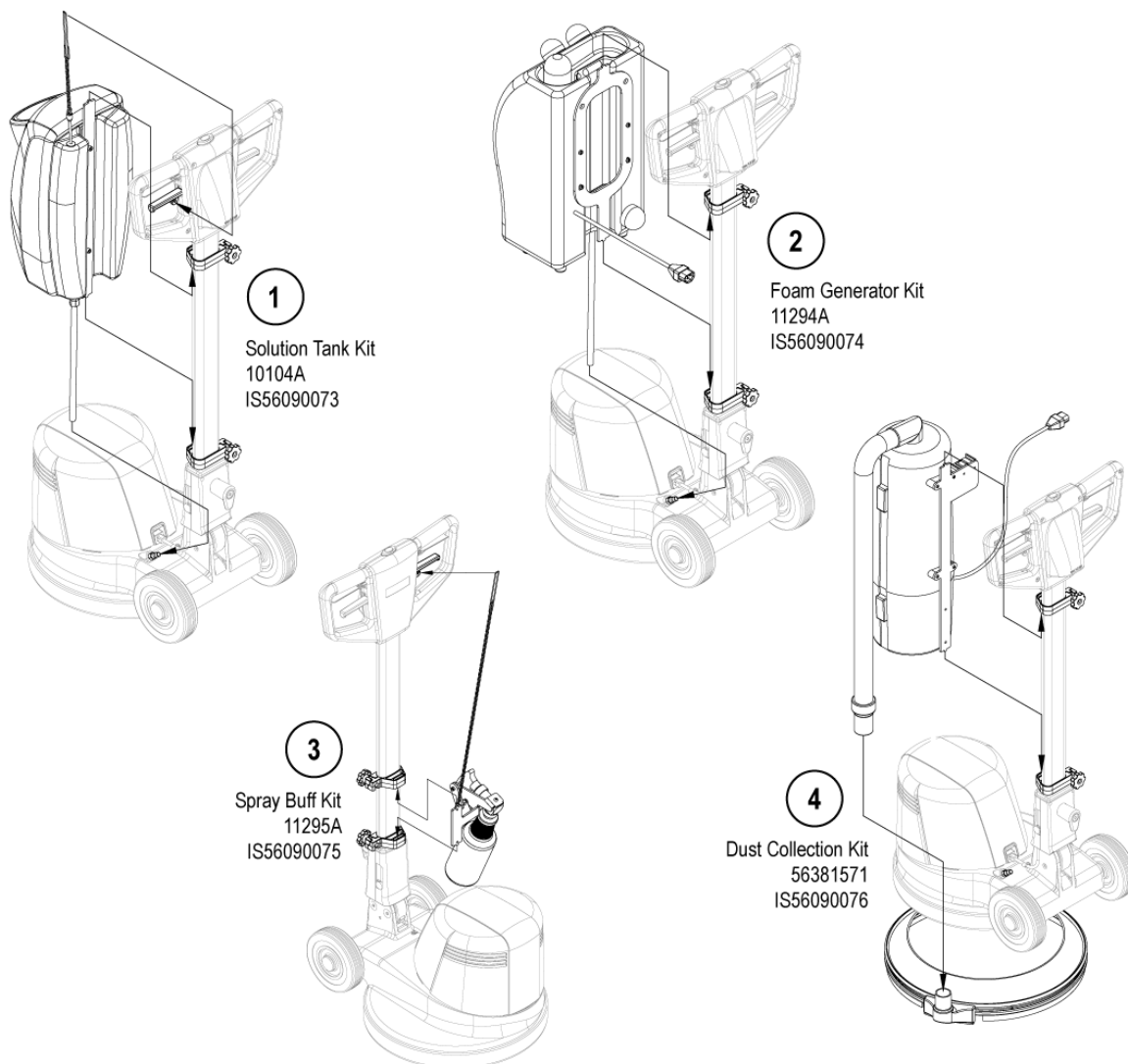
- Black** – Stripping – For long lasting, heavy duty stripping.
- Brown** – Stripping – For fast, uniform stripping, wet or dry.
- Green** – Scrubbing – For wet, heavy duty scrubbing.
- Blue** – Scrubbing – For wet, medium duty scrubbing.
- Red** – Buf ng – For dry buf ng, spray buf ng or light duty scrubbing.
- White** – Polishing – For dry polishing or with ne water mist to ensure high gloss.

| Pos. | Artikel-Nr. | Menge | Variante | Notes |
|-------------|--------------------|--------------|---------------------------------------|--------------|
| 01 | 11296A | 1 | Polierbürste 430 mm | |
| 02 | 56383868 | 1 | Shamponierbürste | |
| 03 | 11298A | 1 | Bürste 430 mm, leicht/mittel | |
| 04 | 11299A | 1 | Bürste 430 mm, mittel/schwer | |
| 05 | 11310A | 1 | Bürste 430 mm, schwer | |
| 10 | 11315A | 1 | Padhalter Lowspeed, 430 mm | |
| 11 | 11316A | 1 | Padhalter Highspeed, flexibel, 430 mm | |
| 12 | 56381578 | 1 | Padhalter | |

| Description | P/N | 56380056 FM400 L | 56380057 FM400 L UK | 56380058 FM400 H | 56380060 FM400 H UK | 56380061 FM400 D | 56380062 FM400 D UK |
|--------------------------|----------|---------------------|---------------------------|---------------------|---------------------------|---------------------|---------------------------|
| Literature Pack | 56044439 | X | X | X | X | X | X |
| (1) Solution Tank Kit* | 10104A | X | X | | | X | X |
| (2) Foam Generator Kit* | 11294A | X | X | | | | |
| (3) Spray Buff Kit* | 11295A | X | X | X | X | X | X |
| (4) Dust Collection Kit* | 56381571 | | | X | X | X | X |

* = Optional, Not Included

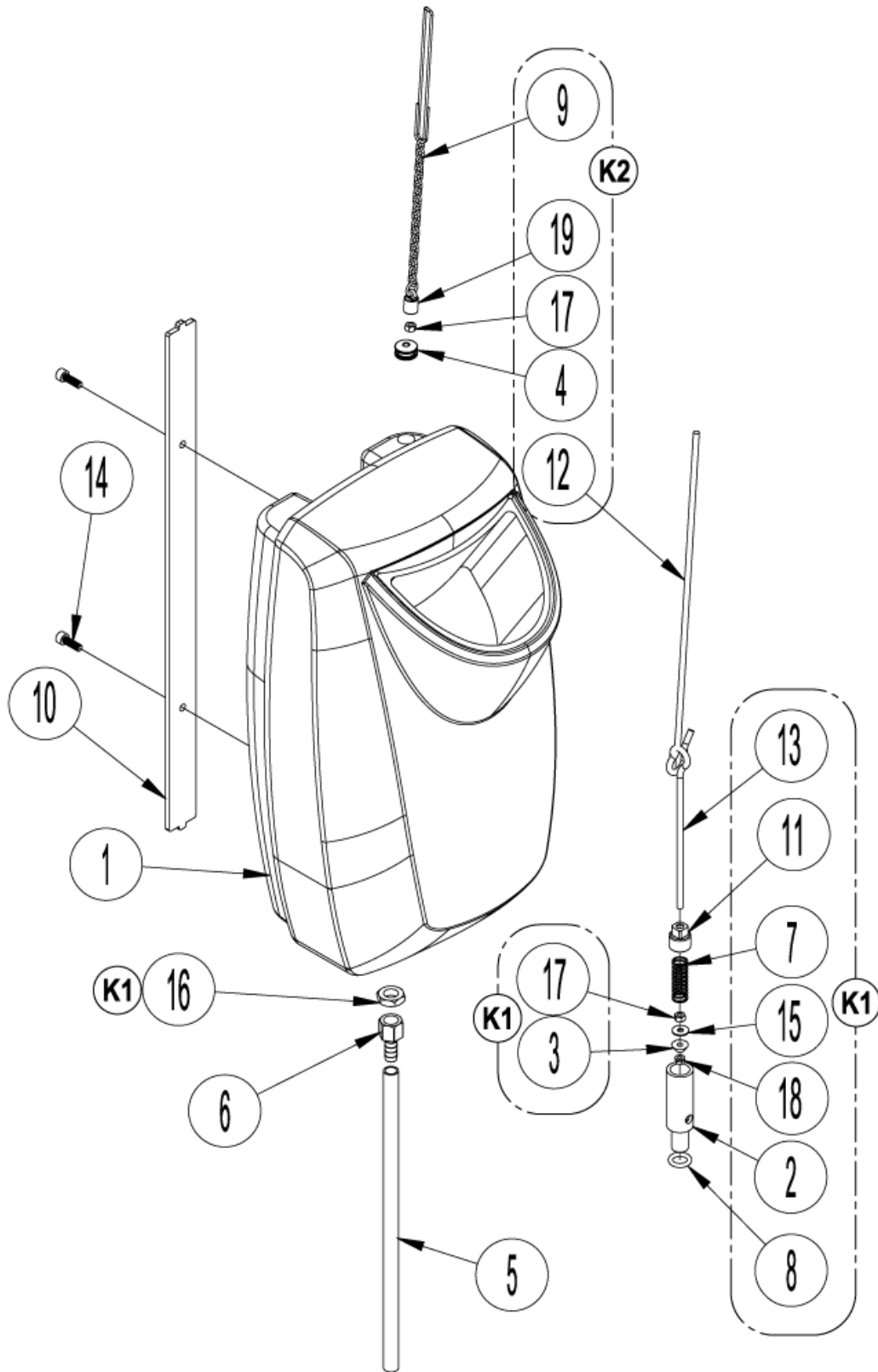
NOTE = Replacement parts for the kits listed above (1-4) can be found on each kit's associated instruction sheet.



| Pos. | Artikel-Nr. | Menge | Variante | Notes |
|------|-------------|-------|----------------------------|-------|
| 1 | 10104A | 1 | Frischwassertank-Set 12lt. | [1] |
| 2 | 11294A | 1 | Schaumgenerator-Set | [2] |
| 3 | 11295A | 1 | Sprühpolier-Set | [3] |
| 4 | 56381571 | 1 | Staubsammelset | [4] |

Part Notes:

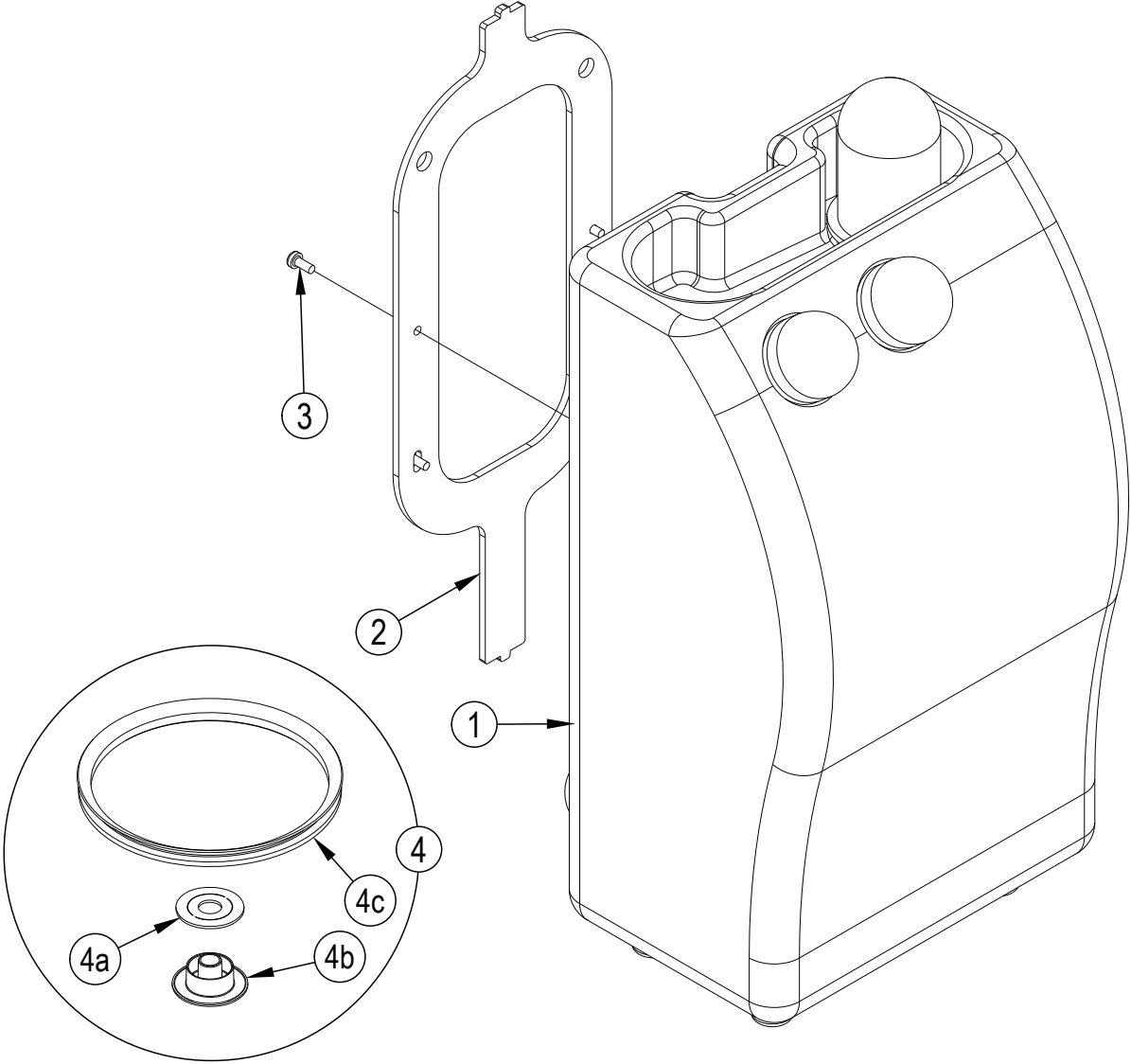
- [1] - Not for FM400 H
- [2] - Not for FM400H and FM400 D
- [3] - PRUNED WITH NO REPLACEMENT
- [4] - BOM COMPONENT OBSOLETE
Not FM400 L



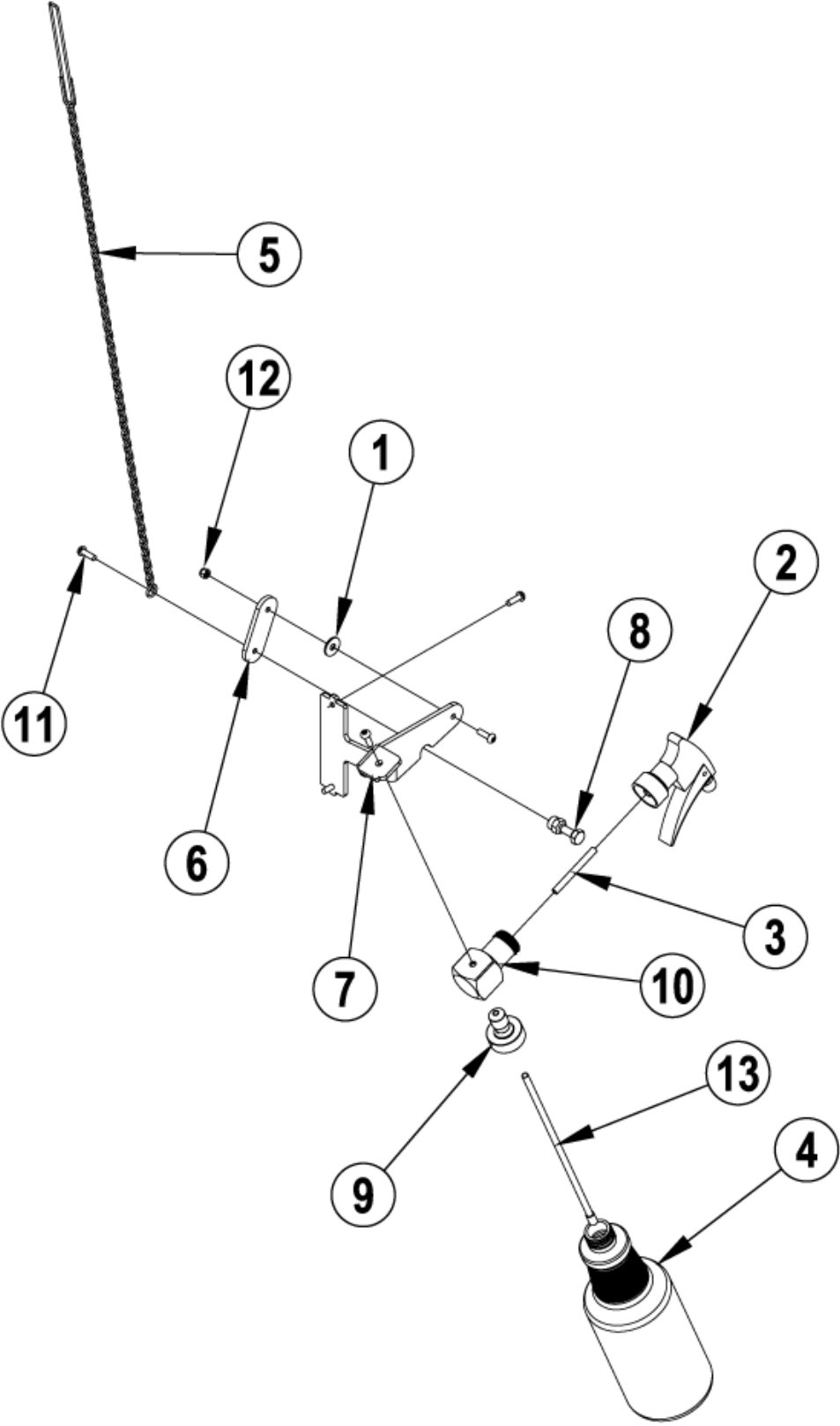
| Pos. | Artikel-Nr. | Menge | Variante | Notes |
|------|-------------|-------|-----------------------------------|-------|
| 00 | 10104A | 1 | Frischwassertank-Set 12lt. | |
| 1 | 30249A | 1 | TANK SOLUTION | |
| 2 | | 1 | BODY VALVE PLASTIC | |
| 3 | VF40134 | 1 | SEAL RUBBER | |
| 4 | | 1 | SEAL | |
| 5 | 30869A | 1 | TUBING VINYL | |
| 6 | VF40132 | 1 | BARB HOSE | [1] |
| 7 | | 1 | SPRING COMPRESSION S.S. | |
| 8 | | 1 | O-RING | |
| 9 | | 1 | CHAIN ASM | |
| 10 | 60023A | 1 | BRACKET MOUNTING SOLUTION TANK | |
| 11 | | 1 | BONNET M18X1.5 NYLON | |
| 12 | | 1 | ROD UPPER PULLING BRASS | |
| 13 | | 1 | ROD LOWER PULLING BRASS | |
| 14 | VF13498 | 2 | SCREW M6X20 | |
| 15 | | 1 | WASHER, PLAIN 5MM BRASS | |
| 16 | | 1 | NUT HEX M14X1.5 BRASS | |
| 17 | | 2 | NUT HEX M5X0.8 BRASS | |
| 18 | | 1 | NUT HEX FLANGED M5X0.8 BRASS | |
| 19 | | 1 | NUT EYE M5 | |
| K1 | 11278A | 1 | Set Ausflussventil für Wassertank | |
| K2 | 11277A | 1 | Befestigungsset f. Tank | |

Part Notes:

[1] - Included in kit 1 #11278A



| Pos. | Artikel-Nr. | Menge | Variante | Notes |
|------|-------------|-------|---------------------------------|-------|
| 0 | 11294A | 1 | Schaumgenerator-Set | |
| 1 | | 1 | Foam generator | |
| 2 | 60459A | 1 | BRACKET FOAM GENERATOR MOUNTING | |
| 3 | | 4 | Scr M5- .8 X 16 Fil Cross Rec | |
| 4 | 56382020 | 1 | Dichtungssatz | |
| SP | VF464041 | 1 | KIT TANK KNOB INTAKE | |
| SP | VF14227 | 1 | O-RING | |
| SP | VF46422-6 | 1 | MICRO SWITCH | |
| SP | VF46454 | 1 | Filter | |
| SP | VF46435 | 1 | FILTER OUTLET TANK | |
| SP | YQ12000 | 1 | PUMP | |
| SP | VF46468 | 1 | FAN | |
| SP | VF46422-8A | 1 | VALVE BODY | |



| Pos. | Artikel-Nr. | Menge | Variante | Notes |
|------|-------------|-------|-------------------------------|-------|
| 00 | 11295A | 1 | Sprühpolier-Set | [1] |
| 01 | | 1 | Washerfl t.750x.250x.062Nylon | [2] |
| 02 | | 1 | Spray Buff Pump | [3] |
| 03 | | 1 | Tube | [4] |
| 04 | | 1 | Bottle Plastic Quart Carafe | [5] |
| 05 | | 1 | Chain Asm | [6] |
| 06 | | 1 | Link Spray Buff | [7] |
| 07 | | 1 | Bracket Spray Buff | [8] |
| 08 | | 1 | Actuator | [9] |
| 09 | | 1 | Mount | [10] |
| 10 | | 1 | Adaptor | [11] |
| 11 | VA13474 | 5 | Schraube M5x16 | |
| 12 | | 1 | Nut M5 Ss Nylon Insert | [12] |
| 13 | | 1 | Tube Dip | [13] |
| K1 | 56382005 | 1 | SPRAY BUFF REPAIR KIT | [14] |

Part Notes:

- [1] - PRUNED WITH NO REPLACEMENT
- [2] - Washerfl t.750x.250x.062Nylon
- [3] - Spray Buff Pump
- [4] - Tube
- [5] - Bottle Plastic Quart Carafe
- [6] - Chain Asm
- [7] - Link Spray Buff
- [8] - Bracket Spray Buff
- [9] - Actuator
- [10] - Mount
- [11] - Adaptor
- [12] - Nut M5 Ss Nylon Insert
- [13] - Tube Dip
- [14] - Includes pos. 2,3,4,5,8,11,13

