

# PARTS LIST

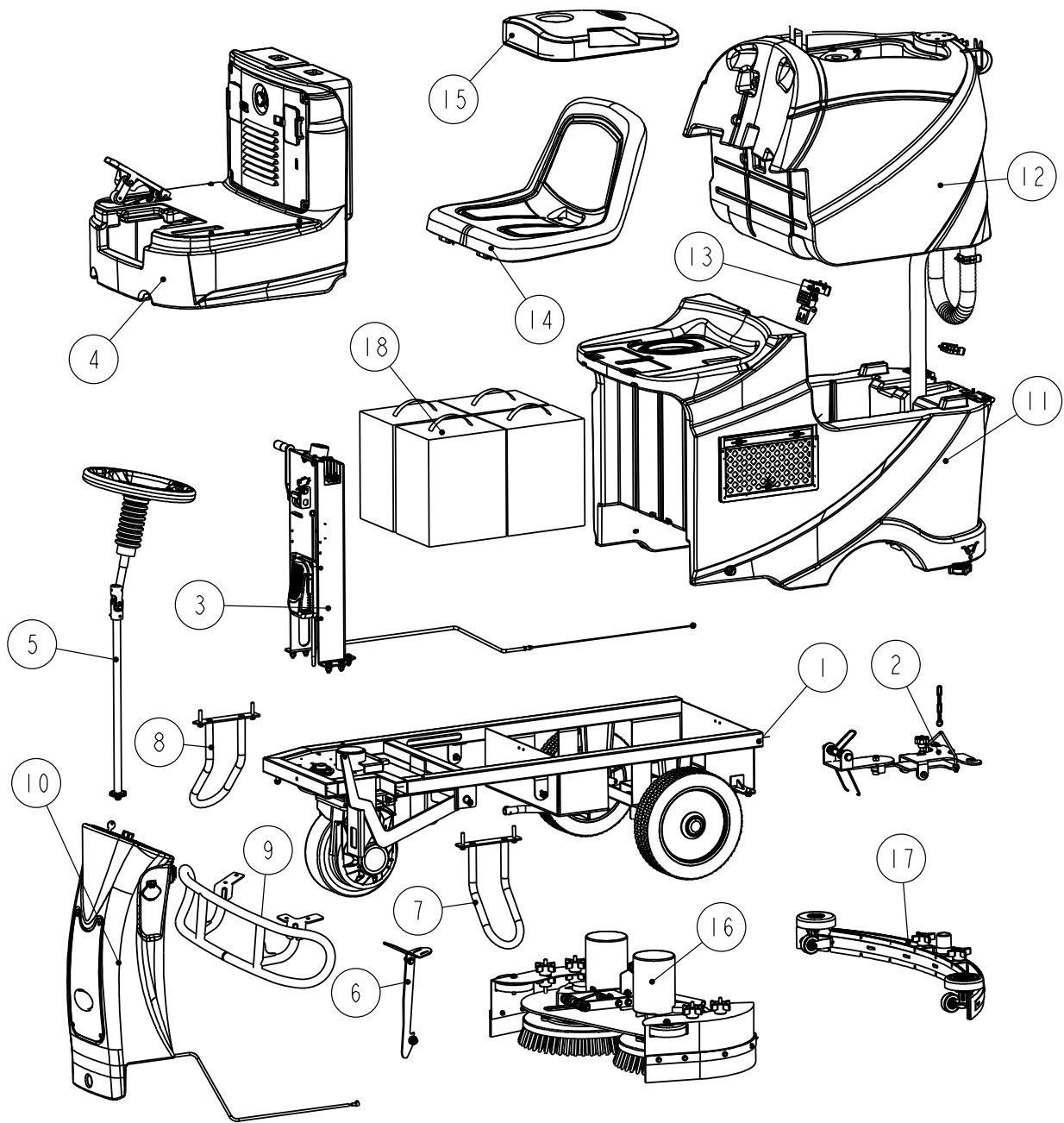


2022.02.14

# TABLE OF CONTENTS

---

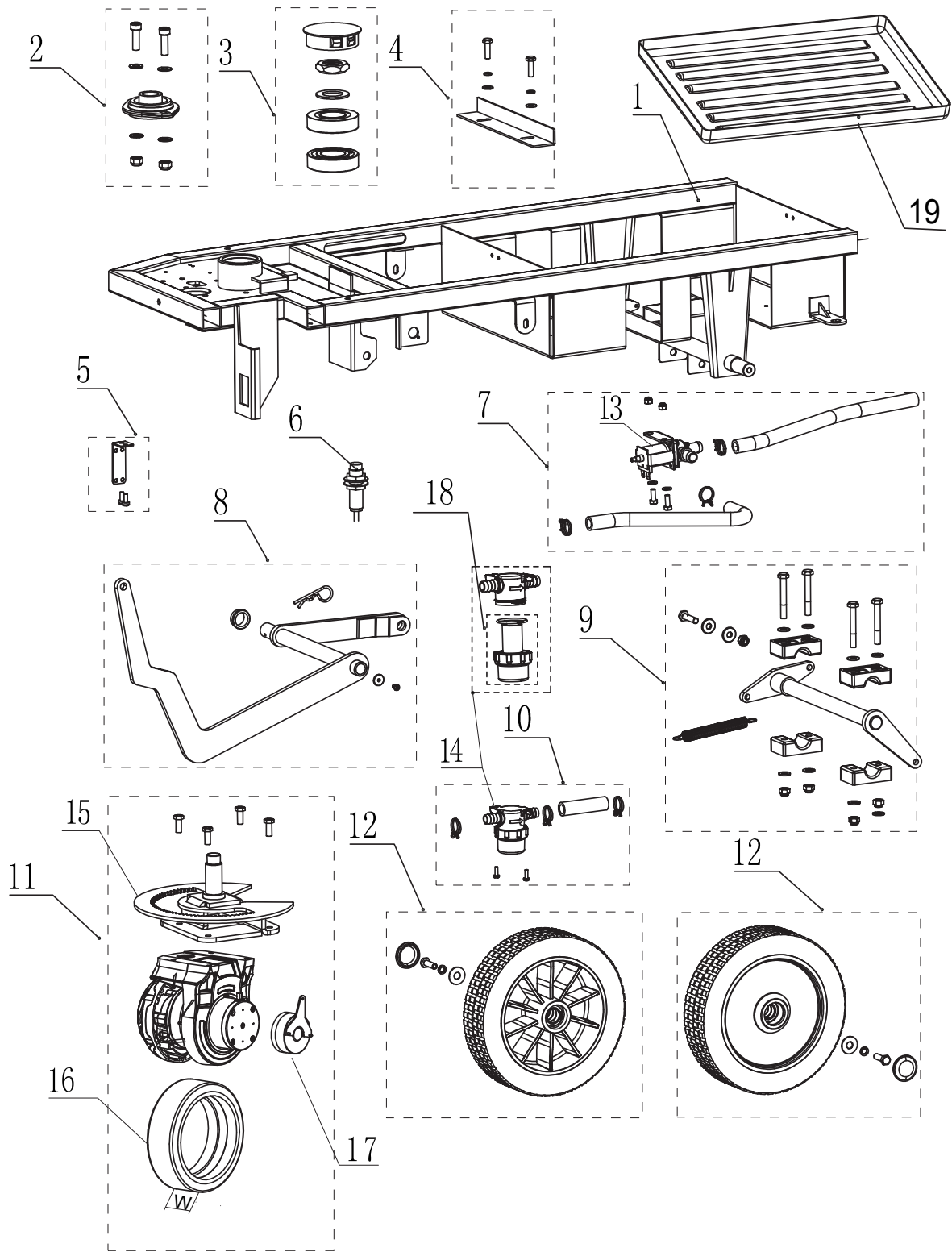
Overview .....	1
Drive motor and chassis .....	3
Steering wheel .....	5
Front main frame .....	7
Brush assembly .....	9
Electric parts .....	11
Control housing .....	13
Squeegee bracket .....	15
Squeegee .....	17
Solution tank .....	19
Recovery tank .....	21
Seat assembly .....	23
Bumper .....	25
Electric wires .....	27
Other Electric wires .....	29
Main connecting wires .....	31
Wear and Tear Parts .....	33



Pos.	Artikel-Nr.	Menge	Variante	Notes
1		1	DRIVER ASSY AND MAIN FRAME	[1]
2		1	SQUEEGEE BRACKET ASSEMBLY	[2]
3		1	FRONT MAIN FRAME ASSEMBLY	[3]
4		1	ELECTRI PARTS ASSEMBLY	[4]
5		1	DIRECTION CONTROL ASSEMBLY	[5]
6		1	LIFT BRUSH PEDAL ASSEMBLY	[6]
7		1	LEFT CRUSH-PROTECT ASSEMBLY	[6]
8		4	RIGHT CRUSH-PROTECT ASSEMBLY	[6]
9		1	KIT FRONT CRUSH-PROTECT	[6]
10		1	FRONT HOUSING ASSEMBLY	[7]
11		1	SOLUTION TANK ASSEMBLY	[8]
12		1	RECOVERY TANK ASSEMBLY	[9]
13		1	RECOVERY TANK LOCK ASSEMBLY	[9]
14		1	SEAT ASSEMBLY	[10]
15		1	RECOVERY TANK COVER ASSEMBLY	[9]
16		1	BRUSH ASSEMBLY	[11]
17		1	SQUEEGEE ASSEMBLY	[12]
18		1	BATTERIES 6V 245AH	

Part Notes:

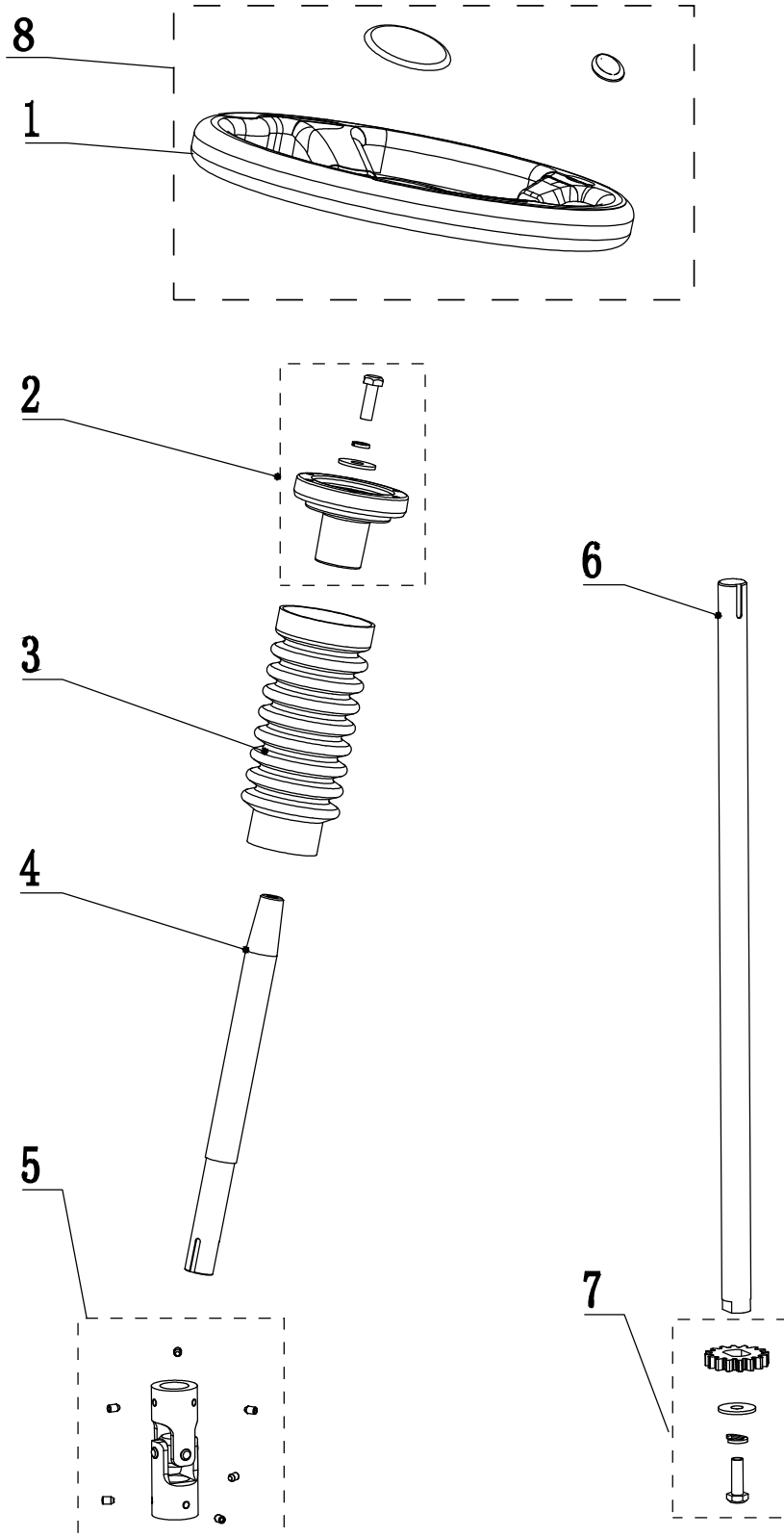
- [1] - Drive motor and chassis
- [2] - Squeegee bracket
- [3] - Front main frame
- [4] - Electric parts
- [5] - Steering wheel
- [6] - Bumper
- [7] - Control housing
- [8] - Solution tank
- [9] - Recovery tank
- [10] - Seat assembly
- [11] - Brush assembly
- [12] - Squeegee



Pos.	Artikel-Nr.	Menge	Variante	Notes
1	VR19100	1	CHASSIS	
2	VR11016	1	KIT BEARING WITH BRACKET	
3	VR11501	1	KIT DRIVE MOTOR BEARING	
4	VR11502	1	KIT BATTERY BRACKET	
5	VR11503	1	KIT DRIVE MOTOR BRACKET	
6	VR13435	1	SENSOR SWITCH	
7	VR11506	1	Magnetventilkit	
8	VR19126	1	BRACKET KIT BRUSH LIFT	
9	VR11507	1	BRACKET KIT SQUEEGEE LIFT	
10	VR11508	1	Filterkit	
11	VR11200	1	Fahrmotorkit	
12	VR11504	2	Radkit, hinten	
13	VR11600	1	Magnetventil für AS710R	
14	VF90621	1	FILTER KIT	
15	VR11202	1	FIXING PLATE FOR DRIVE MOTOR AS710R	
16	VR11208	1	KUNSTSTOFFRAD FÜR AS710R 90MM	[1]
16	VR11204	1	PLASTIC WHEEL FOR DRIVE MOTOR AS710R	[2]
17	VR11205	1	BREMSE FÜR ANTRIEBSMOTOR AS710R	
18	VR11509	1	KIT FILTER COVER	
19	VR10048	1	BATTERIEHALTERUNG	
20	VR11018	1	WHEEL COVER	

## Part Notes:

- [1] - W=90MM new version  
 [2] - W=80MM old version

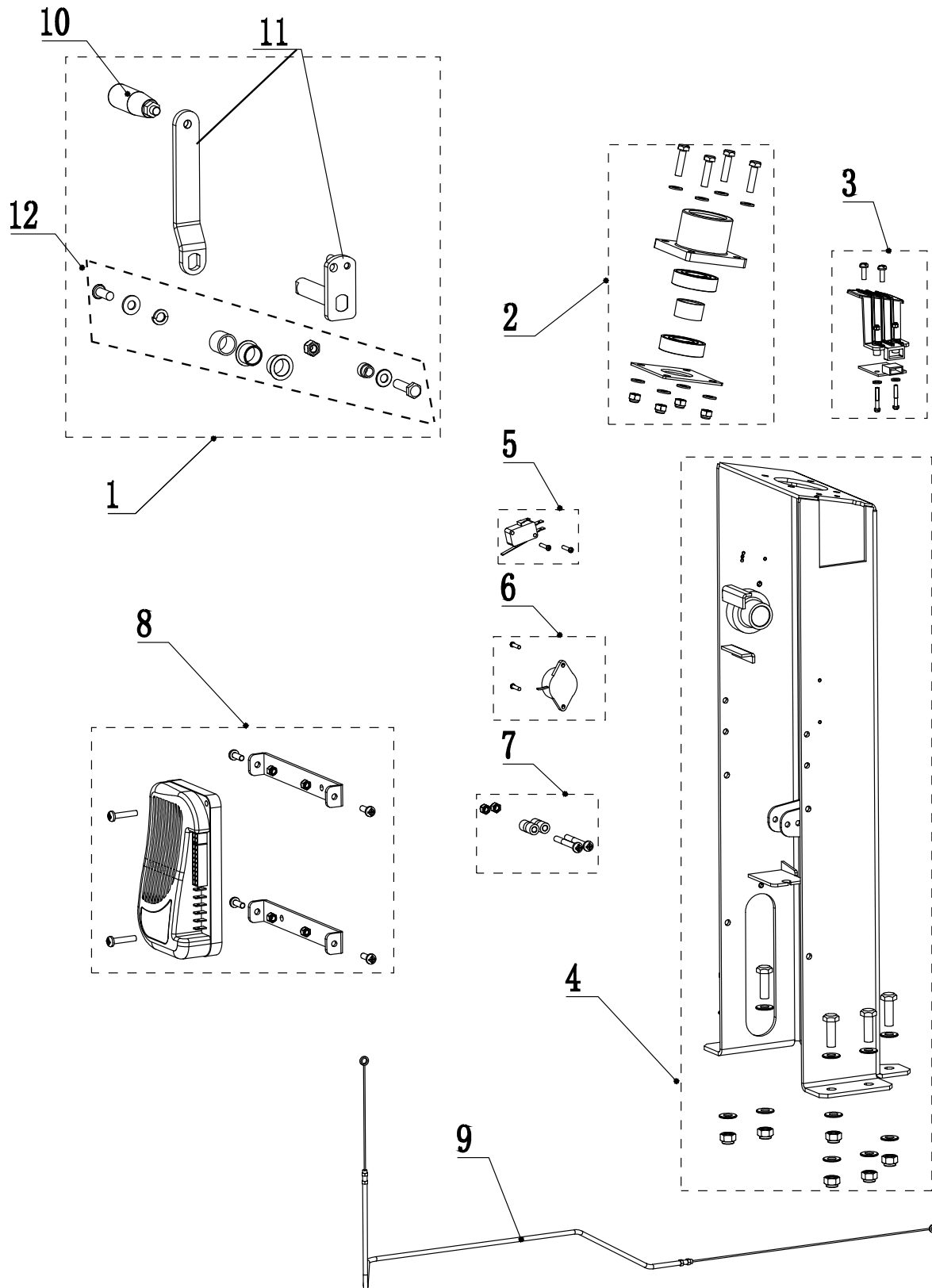


Pos.	Artikel-Nr.	Menge	Variante	Notes
1		1	Steering wheel	
2	VR10039	1	KIT STEERING WHEEL LOCK	
3	VR10014	1	RUBBER SLEEVE STEERING WHEEL	
4	VR10001	1	UP SHAFT STEERING WHEEL	
5	VR10040	1	KIT UNIVERSAL JOINT	
6	VR11301	1	DOWN SHAFT STEERING WHEEL	
7	VR11303	1	KIT GEAR	
8	VR19127	1	STEERING WHEEL	[1]

## Part Notes:

[1] - Red

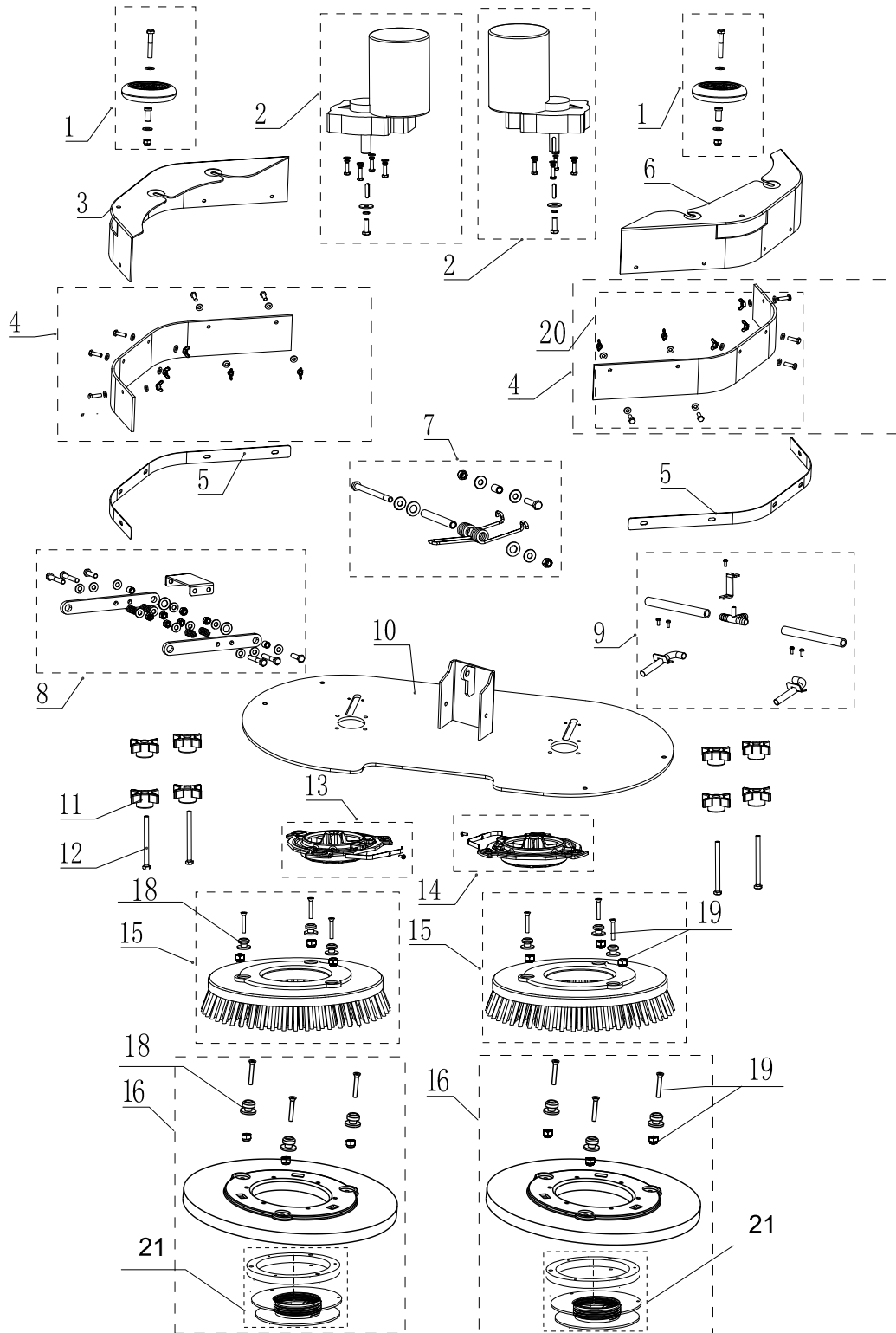




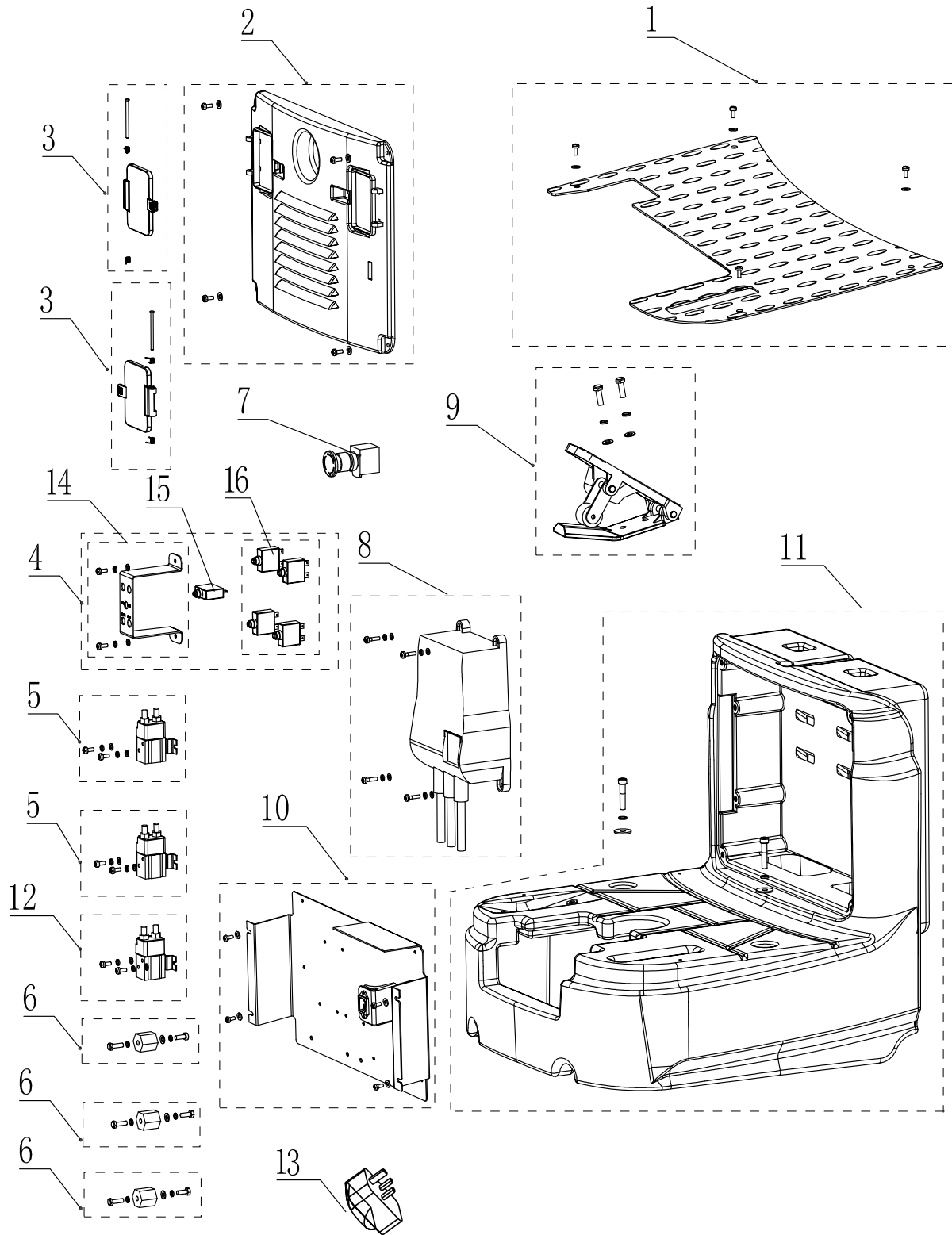
---

Pos.	Artikel-Nr.	Menge	Variante	Notes
1	VR12100	1	HANDLE KIT SQUEEGEE LIFT	
2	VR12200	1	KIT BEARING BASE	
3	VR12300	1	KIT USB	
4	VR12401	1	KIT FRONT FRAME	
5	VR12403	1	Schalterkit	
6	VR12013	1	KIT HORN	
7	VR12402	1	KIT CABLE GUIDE WHEEL SQUEEGEE LIFT	
8	VR12404	1	Motorsteuerung	
9	VR12004	1	Bowdenzug	
10	VR12102	1	HANDLE SQUEEGEE LIFT	
11	VR12107	1	BRACKET LEVER	
12	VR12108	1	HARDWARE KIT BRACKET LEVER	

---



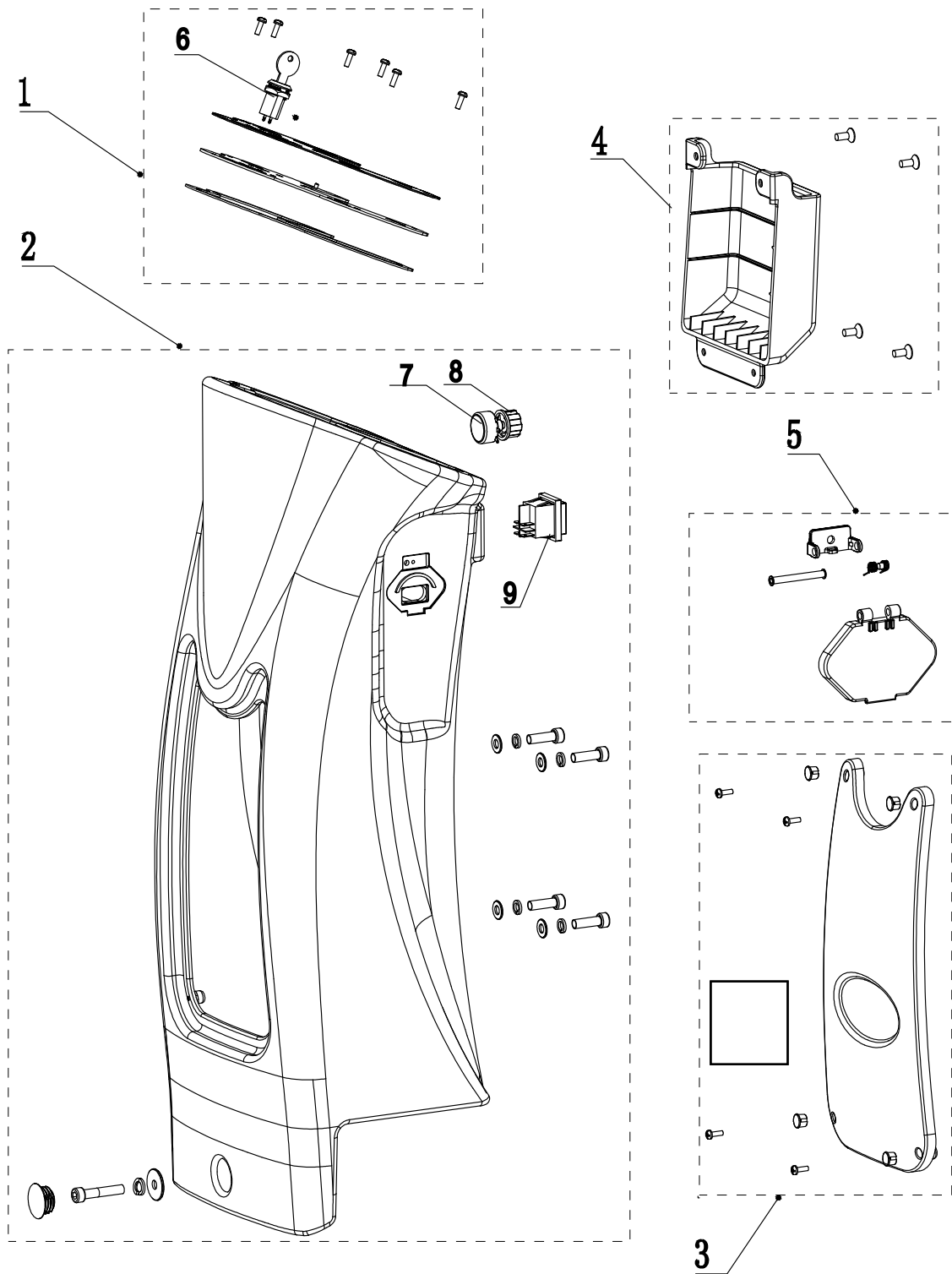
Pos.	Artikel-Nr.	Menge	Variante	Notes
1	VR14016	2	KIT BUMPER WHEEL	
2	VR14013	1	KIT BRUSH MOTOR LEFT	
3	VR19107	1	BRUSH SKIRT MOUNT RIGHT	
4	VR19123	2	BLADE SIDE SKIRT RUBBER KIT	
5	VR19106	2	STRAP KIT SKIRT	
6	VR19105	1	BRUSH SKIRT MOUNT LEFT	
7	VR14017	1	KIT BRUSH TORSION SPRING	
8	VR14012	1	KIT BRUSH LIFT ARM	
9	VR14014	1	KIT BRUSH WATER OUTLET	
10	VR19104	1	BRUSH MOUNTING FARAME	
11	VF81210	8	Flügelmutter	
12	VR14005	4	BOLT M8X100 HEX	
13	VR14100	1	KIT LEFT BRUSH HUB	
14	VR14200	1	KIT RIGHT BRUSH HUB	
15	VR19120	2	BRUSH PPL 406MM 16"	
16	VR19121	2	PAD HOLDER 406MM 16"	
17	VR14023	1	KIT BRUSH MOTOR RIGHT	
18	VR14301	12	LOCKING PIN FOR BRUSH AS710R	
19	VR14304	12	KIT BUCKLE HARDWARE	
20	VR14202	2	KIT BRUSH SKIRT HARDWARE	
21	VS10131	2	RETAINER PAD KIT	



Pos.	Artikel-Nr.	Menge	Variante	Notes
1	VR13003	1	KIT ANTI-SKID PLATE	
2	VR13110	1	LID KIT ELECTRIC BOX	
3	VR13120	2	KIT TRANSPARENT LID	
4	VR13220	1	KIT BREAKER	
5	VR13230	2	KIT CONTACTOR	
6	VR13250	3	KIT WIRE CONNECTOR	
7	VR13132	1	NOT-AUS-SCHALTER	
8	VR13240	1	Einbau Ladegerät	[1]
8	VR13445	1	KIT CHARGER CN VERSION	[2]
8	VR13459	1	KIT CHARGER 24V 25A WET	[3]
9	VR13300	1	Gaspedalkit	
10	VR13210	1	KIT ELECTRIC PARTS MOUNTING PLATE	
11	VR13004	1	KIT ELECTRIC BOX	
12	VR13260	1	KIT RELAY	
13	VF82178	1	UK CONVERTER	
14	VR13270	1	KIT BREAKER BRACKET	
15	ZD48320	4	SCHUTZSCHALTER 30A	[4]
16	VF90747	1	SCHUTZSCHALTER	

## Part Notes:

- [1] - Pls. refer to installation instruction sheet when building this OBC into machine  
onboard battery charger vr13240 installation.pdf
- [2] - PRUNED WITH NO REPLACEMENT
- [3] - US
- [4] - TSB-FC-2019-025 brush circuit breaker  
DE TSB-FC-2019-025 SC430 Bürstenmotor Motorschutzschalter

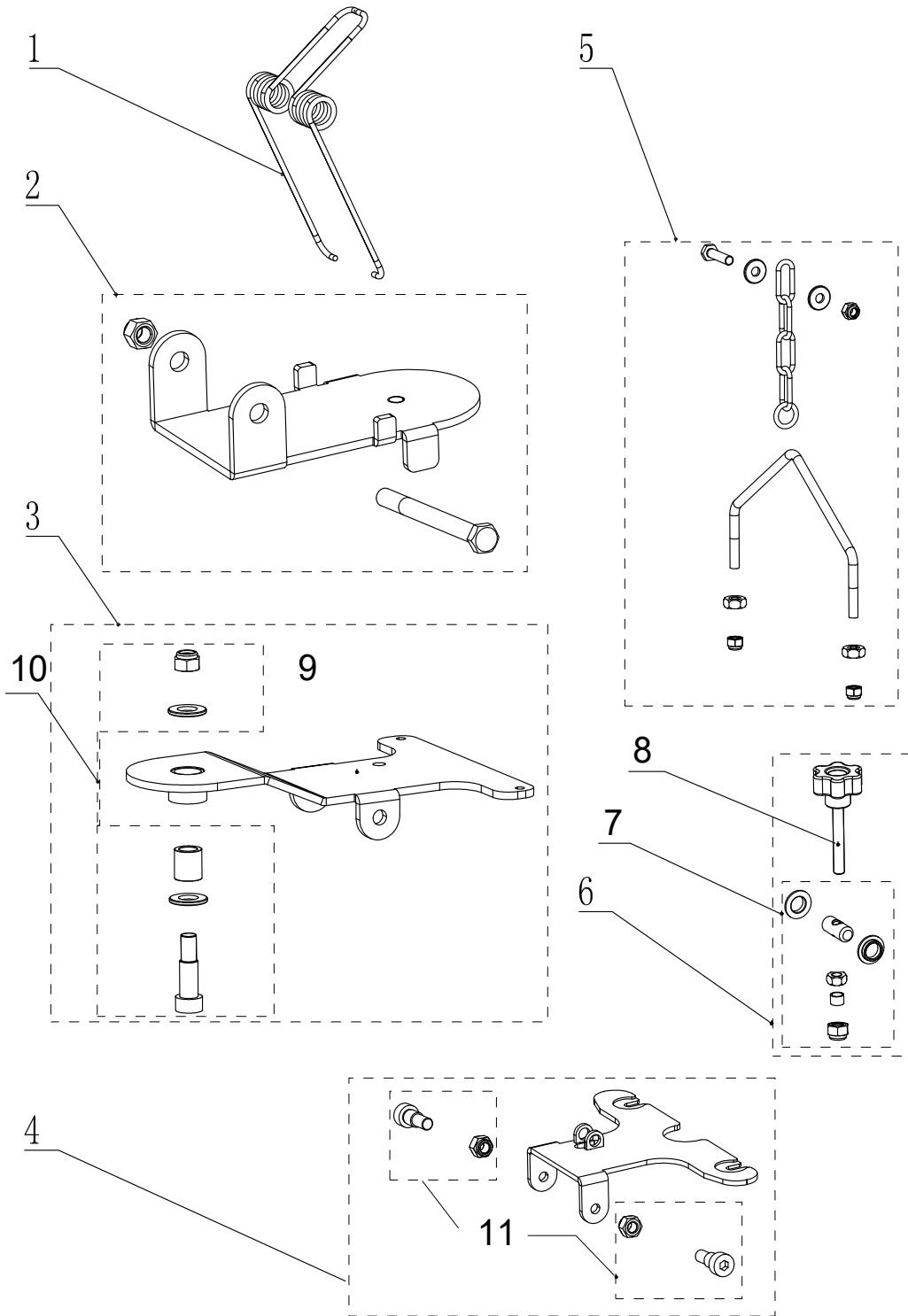


---

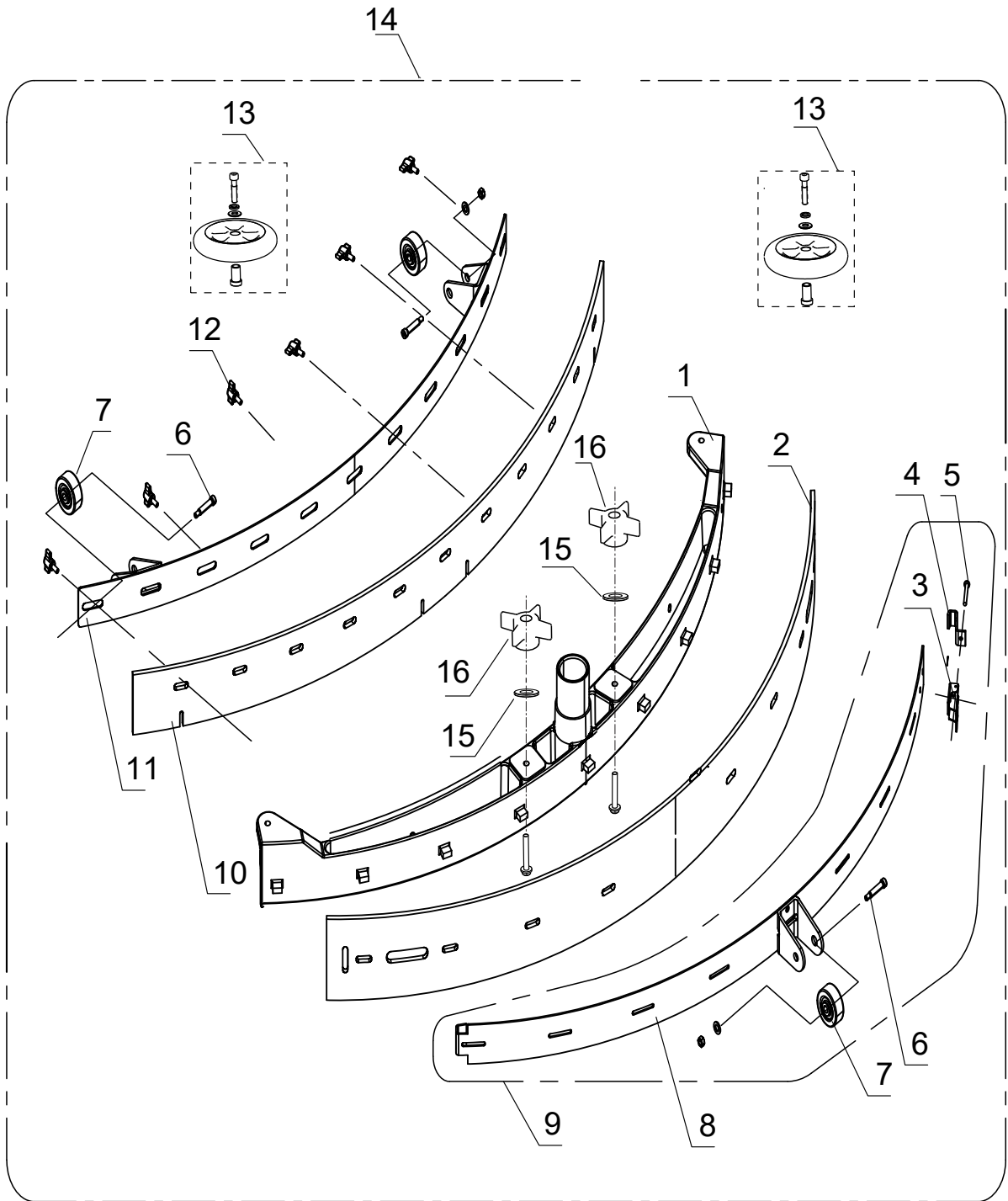
<b>Pos.</b>	<b>Artikel-Nr.</b>	<b>Menge</b>	<b>Variante</b>	<b>Notes</b>
1	VR15100	1	Bedienpult Kit	
2	VR15008	1	KIT CONTROL HOUSING	
3	VR15009	1	LID KIT DRIVE MOTOR CONTROL	
4	VR15011	1	KIT PHONE STORAGE	
5	VR15200	1	KIT USB COVER	
6	VR13436	1	KEY SWITCH	
7	VR13441	1	SPEED POTENTIOMETER	
8	VF81730	1	POTENTIOMETER KNOB	
9	VR15110	1	FORWARD OR REVERSE BUTTON	

---





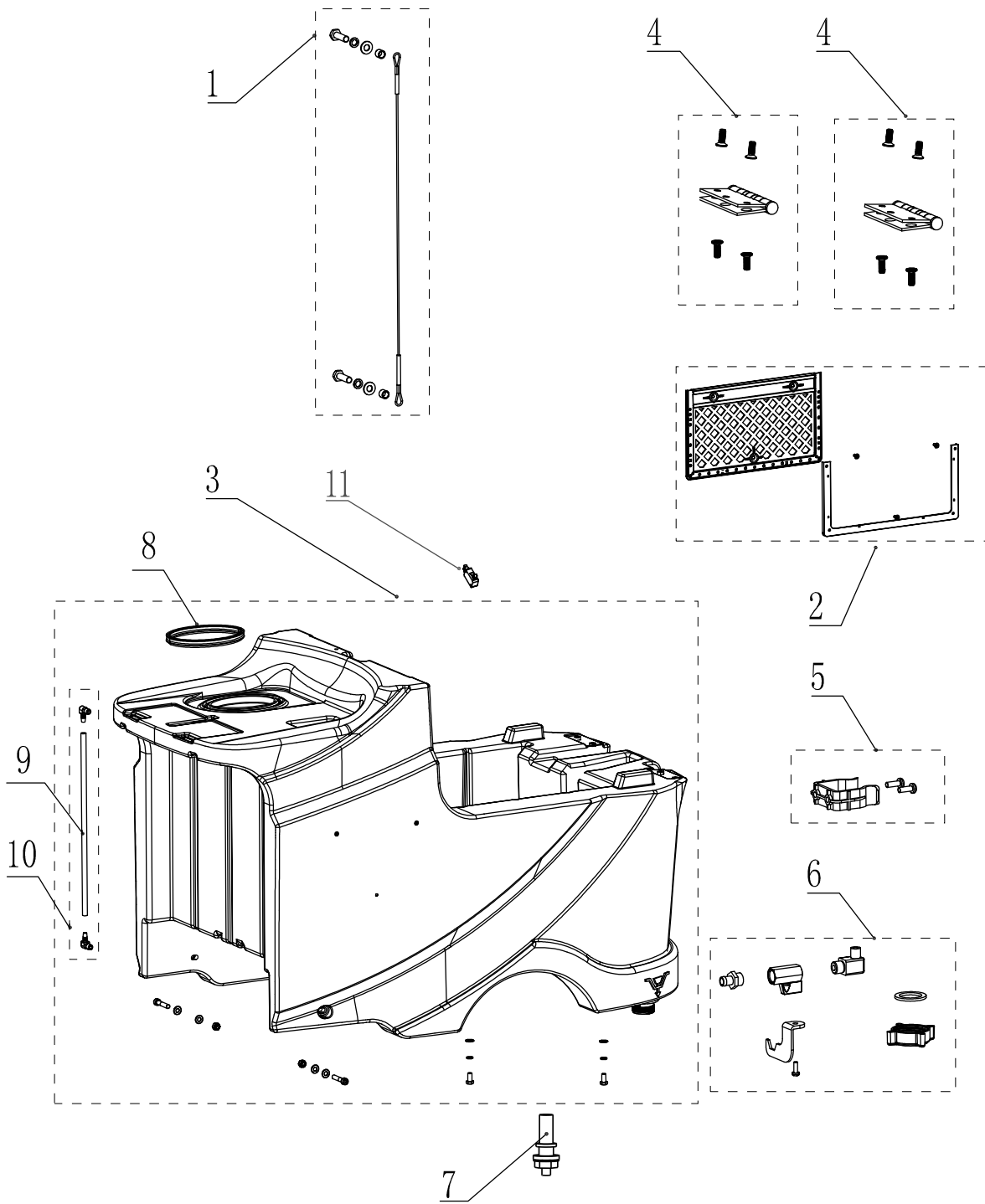
Pos.	Artikel-Nr.	Menge	Variante	Notes
1	VR36028	1	SPRING	
2	VR11408	1	KIT SQUEEGEE BRACKET	
3	VR11409	1	KIT SQUEEGEE MOUNTING PIVOT	
4	VR19125	1	KIT SQUEEGEE ADJUSTMENT BRACKET	
5	VR19124	1	KIT SQUEEGEE LIFT CHAIN	
6	VR11412	1	KIT SQUEEGEE ADJUSTMENT HANDLE	
7	VR11416	1	KIT HARDWARE ADJUSTMENT HANDLE	
8	VF85104	1	HANDWHEEL M8X55	
9	VR11403	1	SQUEEGEE MOUNTING PIVOT	
10	VR11414	1	KIT HARDWARE SQUEEGEE MOUNTING PIVOT	
11	VR11415	2	KIT HARDWARE SQUEEGEE ADJUSTMENT BRACKET	



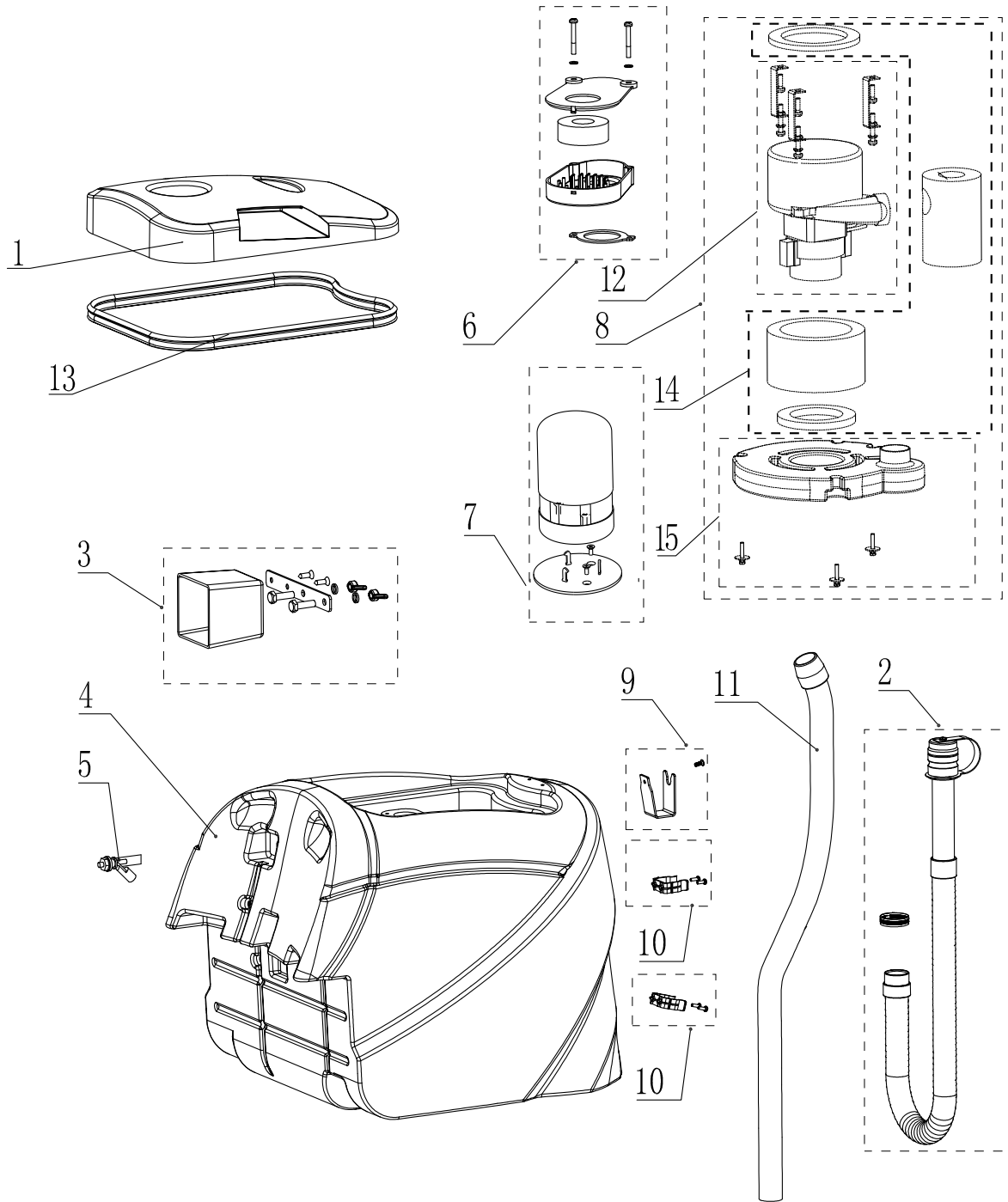
Pos.	Artikel-Nr.	Menge	Variante	Notes
1	VF84202	1	Gehäuse für Absaugleiste	
2	VF84208	1	BLADE SQUEEGEE REAR PU FANG32T	
3	VF81218	1	LATCH HOOK	
4	VF81209	1	HOOK	
5	VF14310	1	SCREW M5 x 70	
6	VF81222	3	Schraube HEX 5/16X1.25	
7	VF81219	3	WHEEL 2 INCH	
8	VF84206	1	Trägerleiste	[1]
9	VF84206A	1	KIT BACKUP STRIP SQUEEGEE	
10	VF84207	1	BLADE SQUEEGEE FRONT PU FANG32T	
11	VF84205	1	BACKUP STRIP SQUEEGEE FRONT FANG32T	
12	VF82121	6	Knopf M6	
13	VR14016	2	KIT BUMPER WHEEL	
14	VR19122	1	SQUEEGEE ASSEMBLY	
15	VR11422	2	RUBBER WASHER	
16	VF81210	2	Flügelmutter	

## Part Notes:

[1] - STOCK COVERS GUARANTEE

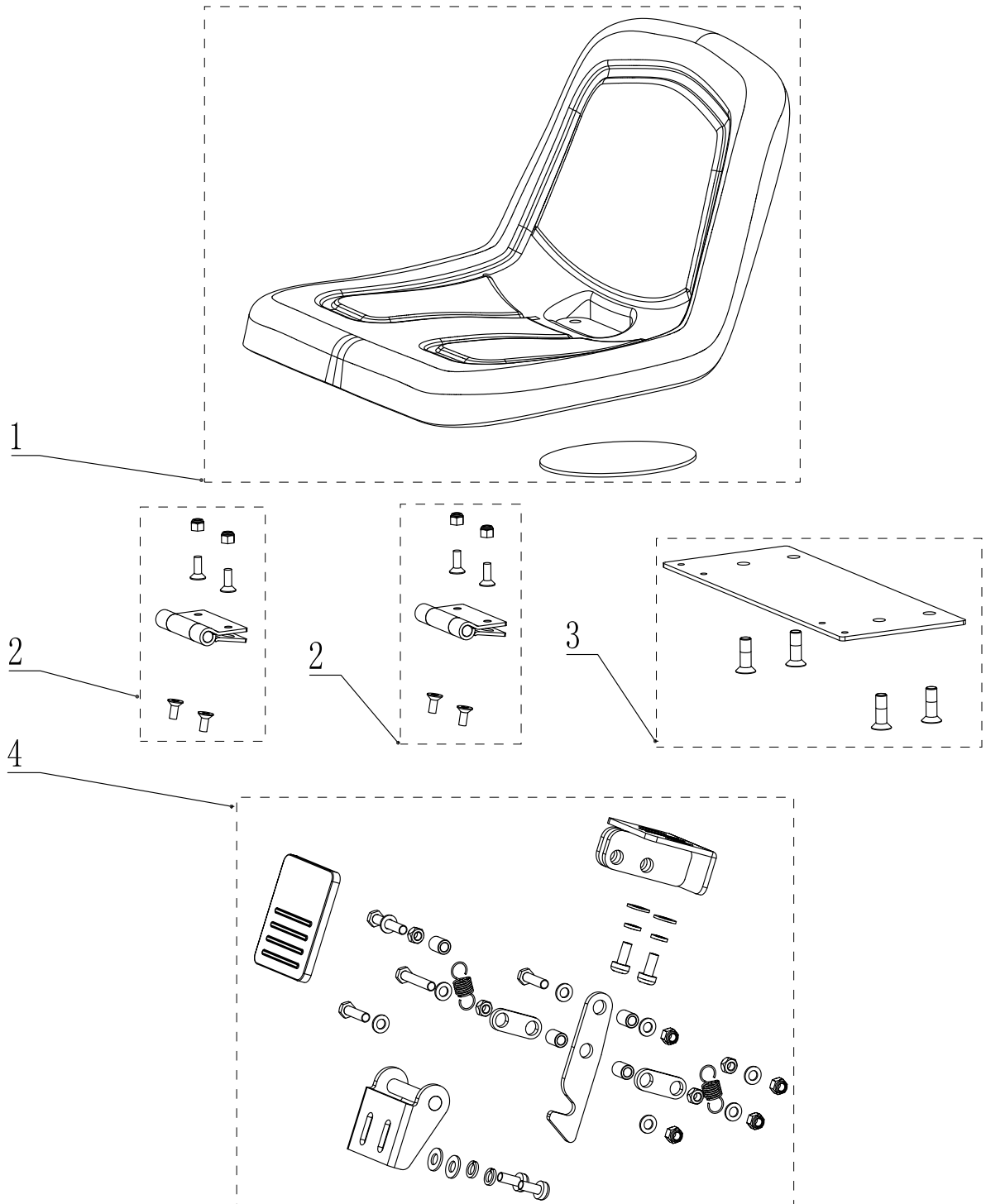


Pos.	Artikel-Nr.	Menge	Variante	Notes
1	VR17170	1	PULL CABLE RECOVERY TANK	
2	VR17300	1	Zubehörmetz	
3	VR17601	1	KIT SOLUTION TANK	
4	VR17602	2	HINGE KIT RECOVEREY TANK	
5	GV70034	2	CLAMP DRAIN HOSE	
6	VR17604	1	KIT WATER ADJUSTMENT	
7	VR13430	1	SWITCH SOLUTION TANK WATER LEVEL	
8	VR17009	1	SEALING	
9	VR17003	1	WATER LEVEL SIGHT TUBE	
10	VR17608	1	KIT WATER LEVEL SIGHT TUBE	
11	VF85507	1	MICO-SWITCH	



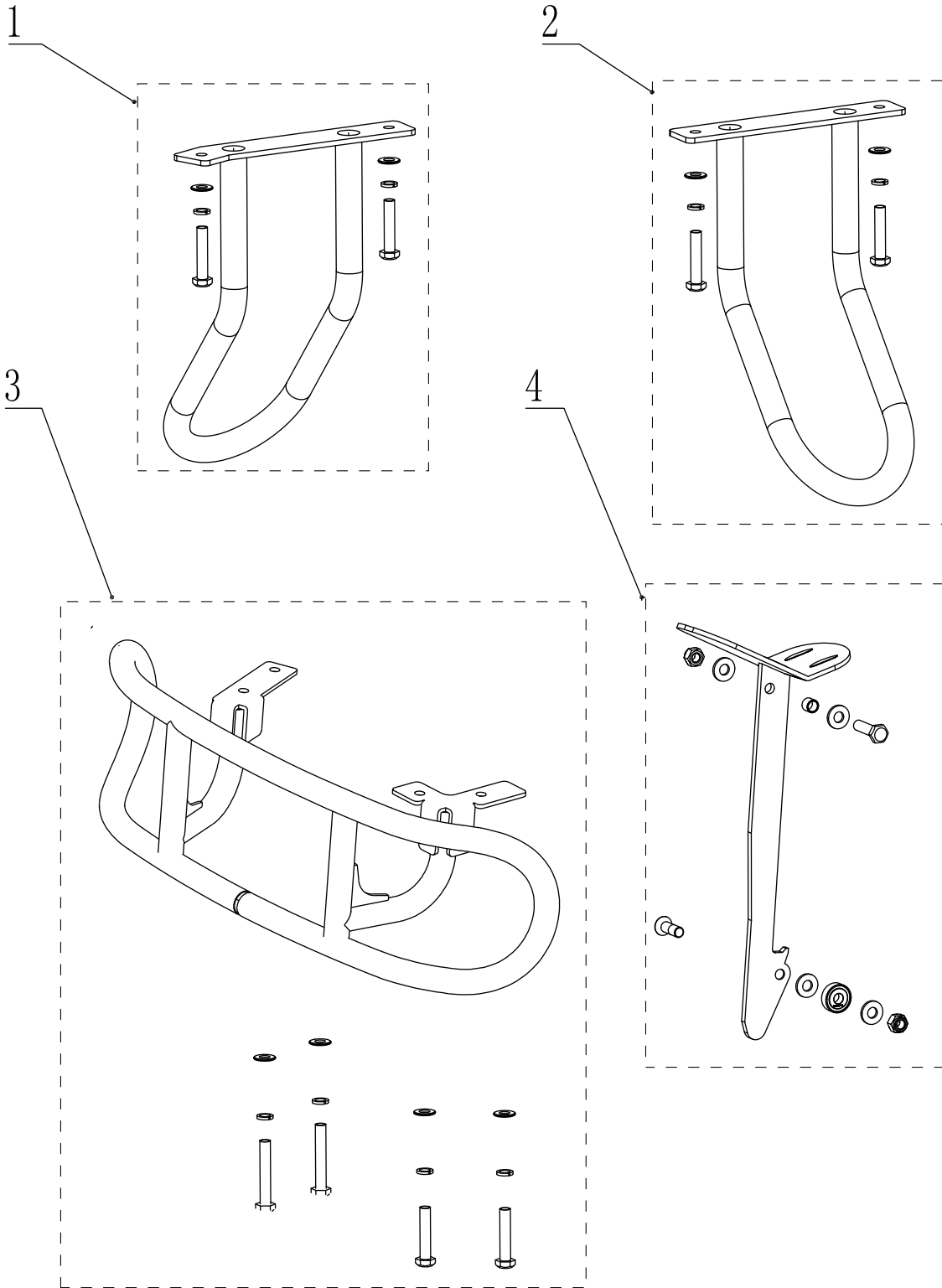
Pos.	Artikel-Nr.	Menge	Variante	Notes
1	VR17108	1	RECOVERY TANK COVER	
2	VR17606	1	Ablassschlauch	
3	VR17107	1	LID KIT WATER LEVEL SWITCH RECOVERY TANK	
4	VR17101	1	RECOVERY TANK	
5	VR13431	1	Füllstandsschalter	
6	VR17130	1	KIT VACUUM HOLE	
7	VR17160	1	Rundumlicht	
8	VR17120	1	KIT VACUUM MOTOR AND FIXING	
9	VR17605	1	KIT SQUEEGEE HOOK	
10	VR17603	2	KIT HOSE CLAMP	
11	VR17006	1	Saugschlauch	
12	VR17119	1	KIT VACUUM MOTOR	
13	VR17109	1	Dichtung	
14	VR17123	1	KIT VACUUM GASKET OR SPONGE	
15	VR17124	1	KIT SILENCER	





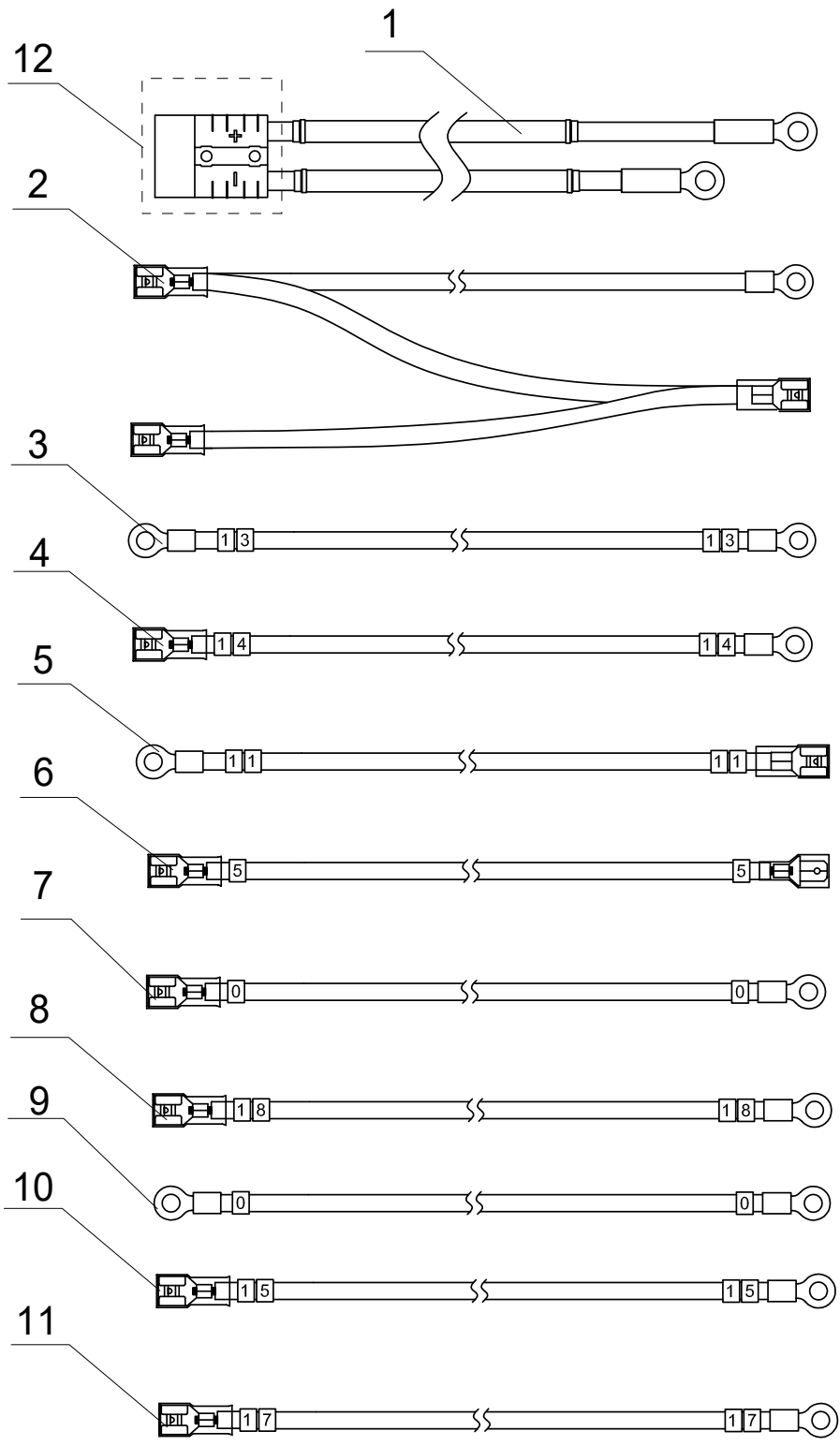
---

<b>Pos.</b>	<b>Artikel-Nr.</b>	<b>Menge</b>	<b>Variante</b>	<b>Notes</b>
1	VR17405	1	KIT SEAT	
2	VR17406	2	HINGE KIT SEAT	
3	VR17407	1	KIT SEAT MOUNTING PLATE	
4	VR17200	1	KIT RECOVERY TANK LATCH	

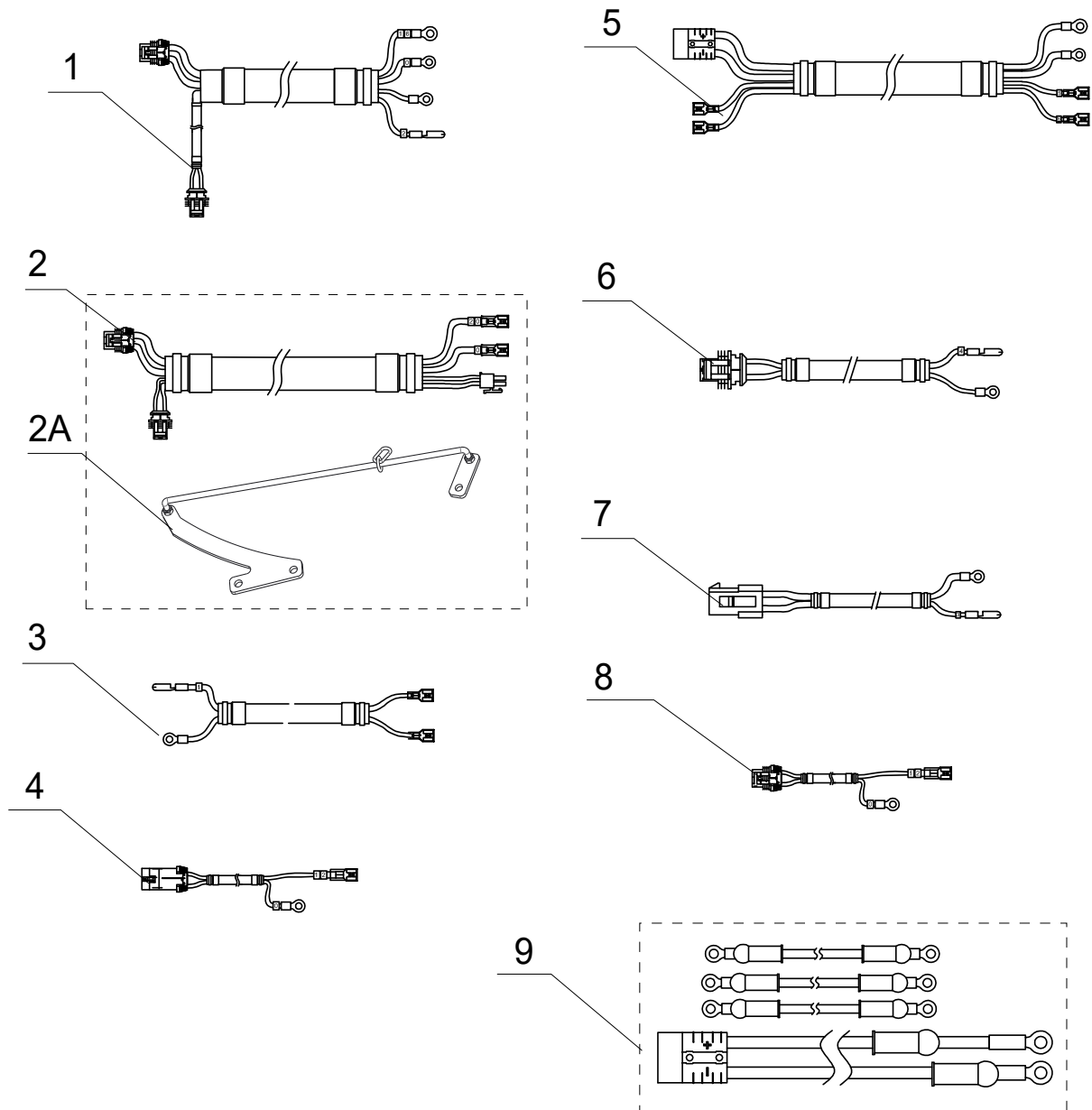


---

Pos.	Artikel-Nr.	Menge	Variante	Notes
1	VR19128	1	KIT RIGHT BUMPER	
2	VR19129	1	KIT LEFT BUMPER	
3	VR10027	1	Stossfänger	
4	VR10012	1	PEDAL KIT BRUSH LIFT	

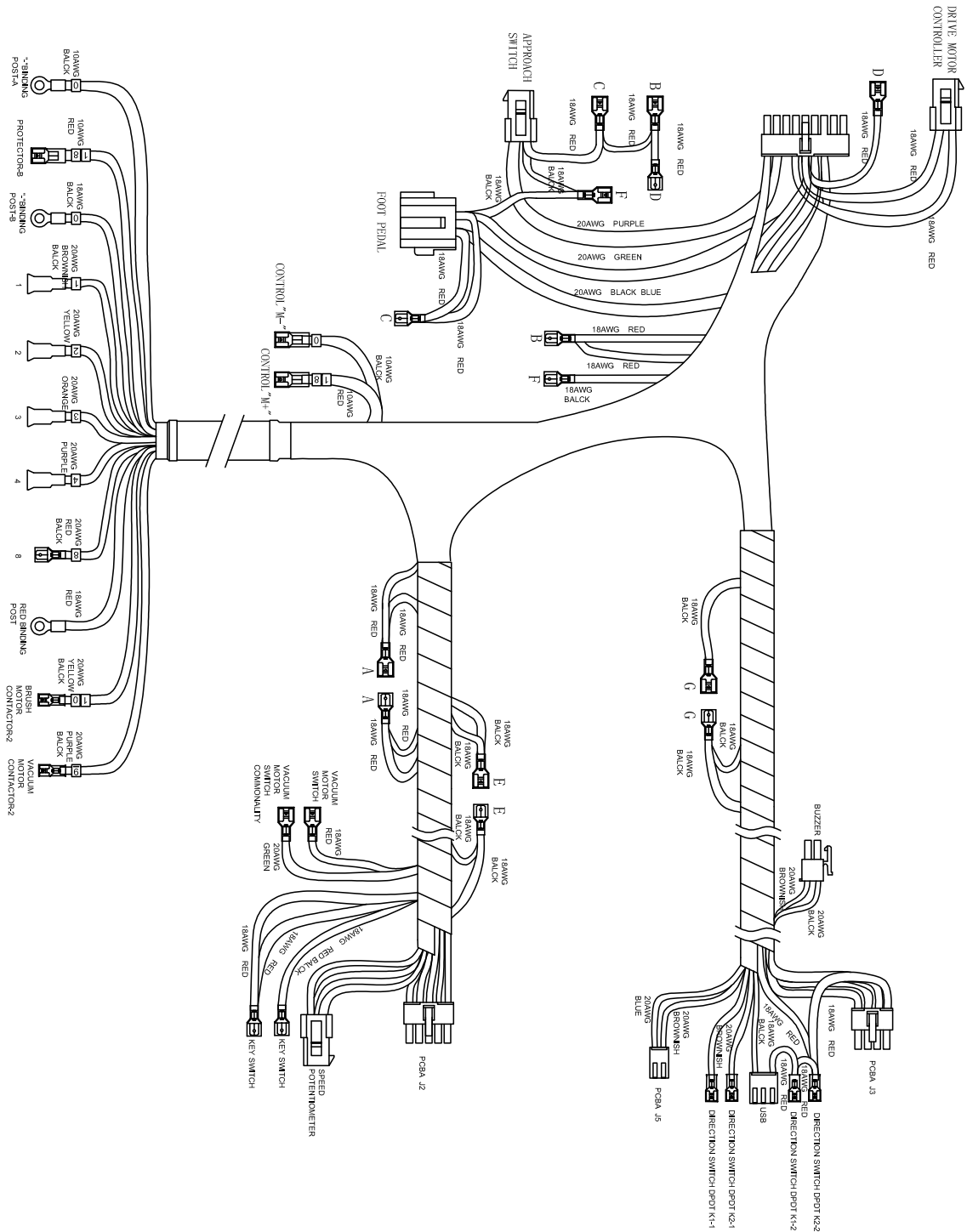


Pos.	Artikel-Nr.	Menge	Variante	Notes
1	VR13414	1	Batteriekabelkit	
2	VR13418	1	KIT CONTACTOR WIRE	
3	VR13424	1	MAIN CONTACTOR TO BRUSH MOTOR WIRE	
4	VR13422	1	VAC MOTOR BREAKER TO ITS CONTACTOR WIRE	
5	VR13425	1	BRUSH MOTOR CONTACTOR TO BREAKER WIRE	
6	VR13421	1	MAIN BREAKER TO EMERGENCY-STOP WIRE	
7	VR13417	1	MAIN CONTACTOR TO NEGATIVE POLE WIRE	
8	VR13419	1	MAIN CONTACTOR TO MAIN BREAKER WIRE	
9	VR13416	1	NEGATIVE CONNECT POLE WIRE	
10	VR13420	1	MAIN CONTACTOR TO VAC MOTOR BREAKER WIRE	
11	VR13437	1	Hauptstecker	
12	VF81306-1	1	ANDERSON PLUG 175A 600V	



Pos.	Artikel-Nr.	Menge	Variante	Notes
1	VR13443	1	CONNECTION CABLE FOR VACUUM MOTOR	
1	VR13423	1	KIT VACUUM MOTOR WIRE	
2A	VR10200	1	RETRO-FIT KIT AS710R DRIVE MOTOR CABLE	
2	VR13438	1	Kabelkit f. Fahrmotor	
3	VR13428	1	KIT WATER ELETRO VALVE WIRE	
4	VR13426	1	KIT BRUSH MOTOR WIRE RIGHT	
5	VR13413	1	KIT EXTERNAL CHARGER WIRE	
6	VR13429	1	SWITCH SOLUTION TANK WATER LEVEL WIRE	
7	VR13433	1	KIT SEAT SWITCH WIRE	
8	VR13427	1	KIT BRUSH MOTOR WIRE LEFT	
9	VR13412	1	KIT WIRE FOR BATTERIES	





# Main conneting wires

AS850R

2019.04.03

2019.04.03

---

Pos.	Artikel-Nr.	Menge	Variante	Notes
	VR13440	1	MAIN WIRE HARNESS	

# Wear and Tear Parts

Pos.	Artikel-Nr.	Menge	Variante	Notes
1	VR11506	1	Magnetventilkit	
2	VR12403	1	Schalterkit	
3	VR12013	1	KIT HORN	
4	VR14016	2	KIT BUMPER WHEEL	
5	VR19123	2	BLADE SIDE SKIRT RUBBER KIT	
6	VR19120	2	BRUSH PPL 406MM 16"	
7	VR13220	1	KIT BREAKER	
8	VR13132	1	NOT-AUS-SCHALTER	
9	VR15100	1	Bedienpult Kit	
10	VF84207	1	BLADE SQUEEGEE FRONT PU FANG32T	
11	VF84208	1	BLADE SQUEEGEE REAR PU FANG32T	
12	VR17300	1	Zubehörmnetz	
13	VR17603	3	KIT HOSE CLAMP	
14	VR13431	1	Füllstandsschalter	
15	VR17006	1	Saugschlauch	
16	VR17606	1	Ablassschlauch	
17	VR11600	1	Magnetventil für AS710R	
18	VF90621	1	FILTER KIT	
19	VR13436	1	KEY SWITCH	
20	VR13441	1	SPEED POTENTIOMETER	
21	VF81730	1	POTENTIOMETER KNOB	
22	VR15110	1	FORWARD OR REVERSE BUTTON	
23	VF81210	2	Flügelmutter	
24	VF90136	3	SQUEEGEE ROLL WHEEL KIT	
25	VR17109	1	Dichtung	
26	VR19121	2	PAD HOLDER 406MM 16"	
	VR10048	1	BATTERIEHALTERUNG	

