

**No
Diagram
Available**

**Parts List
Only**

Pos.	Artikel-Nr.	Menge	Variante	Notes
W =			Normal Wear	
O =			Ordinary Maintenance	
E =			Extra-Ordinary Maintenance	
			CHASSIS	
E	56116781		ACTUATOR-SQUEEGEE	
			CONTROL SYSTEM	
E	56118157		FOOT PEDAL ASSEMBLY	
E	56116056		MEMBRANE PANEL ASSEMBLY	
E	56116054		PCB BOX ASSEMBLY	
E	56116477		IBUTTON-PROBE	
O	56116518		SMART KEY-USER	
O	56116519		SMART KEY-SUPERVISOR	
E	56507644		CIRCUIT BREAKER 10 AMP	
E	40892A		Zweipoliges Umschalt-	
E	7-82-00050		Sitzschalter BR 1300 S	
E	56317072		GAS SPRING	
			ELECTRICAL SYSTEM	
E	56116087		MODULE-HIGH POWER	
E	56116131		SPEED CONTROL	
O	56115432		FUSE-150 AMP	
O	56303198		Relais 26V	
			RECOVERY SYSTEM	
O	56116500		DRAIN HOSE ASSEMBLY	
O	56116537		SQUEEGEE HOSE ASSEMBLY	
O	56116698		GASKET-VACUUM COVER	
O	56116722		DEBRIS TRAY ASSEMBLY	
E	56116842		SWITCH-FLOAT MECHANICAL 120V	
O	56116392		SCREEN-FILTER	
O	56116394		FILTER-VACUUM INLET	
O	56116104		COVER-VACUUM MOTOR	
O	56118005		SEAL-VACUUM BLOCK	
O	56116105		MOTOR-VACUUM 36VDC	
O	56116107		CARBON BRUSHES	
O	56116486		SEAL-RECOVERY COVER	
O	33003458		Briede 12/ 60-80	
O	56116105		MOTOR-VACUUM 36VDC	
O	56116107		CARBON BRUSHES	
O	56116922		VACUUM MOTOR SEAL KIT	
			SCRUB SYSTEM	
O	56118041		ACTUATOR ASSEMBLY-HEAVY DUTY	
E	56116159		MOTOR-36VDC-1900RPM-1HP	
O	56422152		KIT WHEEL DRIVE BRUSHES	
E	56116032		CAP-HUB	
O	56116545		KNOB-M12-LOBE	
E	56116213		GEARMOTOR-36VDC-250RPM-1.0HP	
O	56601276		BRUSH PLATE ASSEMBLY	
O	56601384		Bürstenaufnahme kpl.	
O	56116979		LATCH KIT	
O	56116983		KNOB KIT-SIDE WIPER	
O	56116929		DISK STRAP KIT-BOTH SIDES	
O	56116877		LATCH KIT-BOTH SIDES	
E	56116885		BELT KIT-BOTH SIDES	
E	56116890		HUB KIT	
E	56116887		SHEAVE KIT	
E	56116889		IDLER HOUSING KIT	
O	56116984		CYLINDER STRAP KIT-BOTH SIDES	
			SOLUTION SYSTEM	
E	56116759		VALVE-BALL-5/8X3/4IN BRB	
O	9097944000		Filtereinsatz	

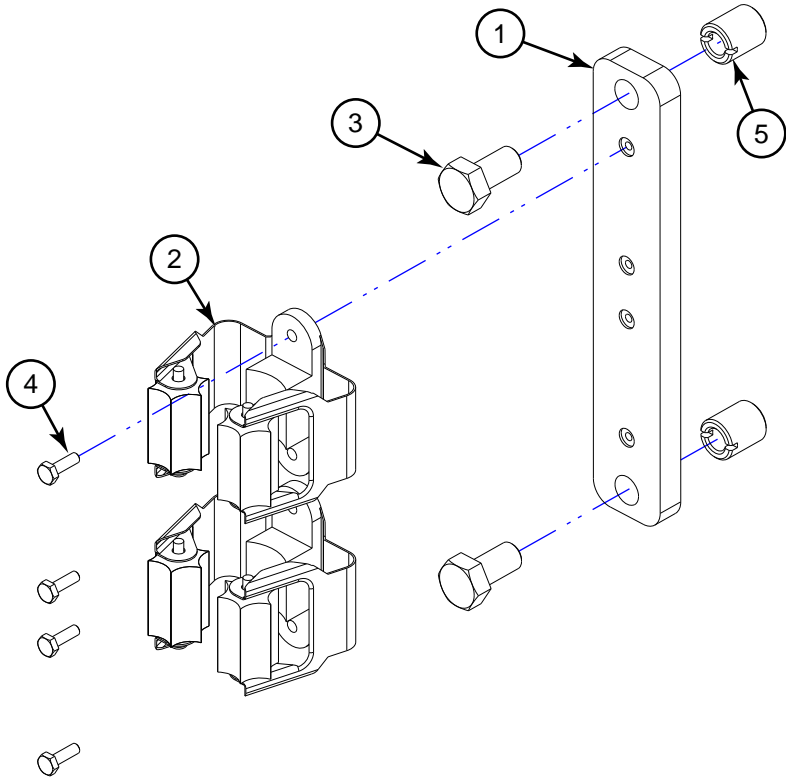
Recommended Spare Parts

SC6000 860D NIL

2016.05.04

2017.08.23

Pos.	Artikel-Nr.	Menge	Variante	Notes
E	9097945000		Deckel Wasserfilter	
O	9097943000		Dichtung für Wasserfilter	
O	56104408		CHEMICAL BOTTLE ASSY	
E	56110742		Chemie Pumpe 2	
O	56315517		EDS Tankdeckel zu BA 551	
O	56315523		Deckel EDS-Schwimmer	
O	56116923		DRAIN HOSE KIT	
O	56116924		FILTER KIT	
O	56116875		SOLENOID VALVE KIT	
O	56116891		SOLENOID SEAL KIT	
			SQUEEGEE SYSTEM	
E	56116545		KNOB-M12-LOBE	
O	56116907		CASTER ASSEMBLY	
O	56116894		SQUEEGEE TILT ADJUSTER KIT	
E	56116912		SQUEEGEE KNOB KIT-BOTH	
			SWEEP SYSTEM	
E	56116784		SENSOR-PROXIMITY	
E	56116761		GEAR MOTOR-SWEEP-RIGHT	
O	56116897		CARBON BRUSHES	
O	1463960000		CLIP WITH PIN	
			WHEEL & BRAKE SYSTEM	
E	56483135		Lagerdeckel	
E	56116032		CAP-HUB	
O	56116809		BEARING	
E	56116811		COVER BRAKE	
E	56116916		STEERING CHAIN KIT	
E	56116918		SPINDLE BEARING KIT	
E	56116033		BEARING KIT-REAR WHEEL	
E	56116919		REAR WHEEL KIT	
E	56116917		HARDWARE KIT-WHEEL SYSTEM	



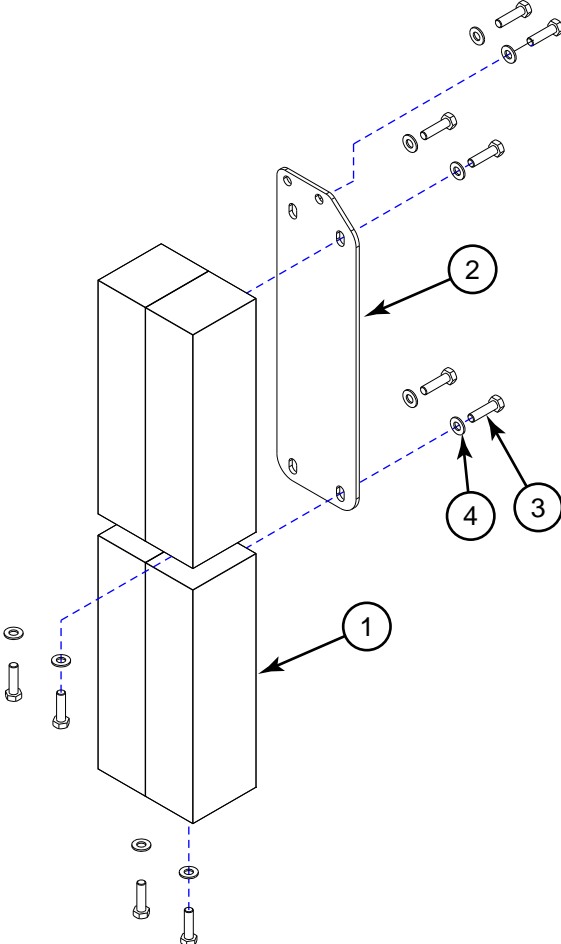
56116619 MOP HOLDER KIT

SC6000 860D NIL

2016.06.09

2016.06.10

Pos.	Artikel-Nr.	Menge	Variante	Notes
	56116619	1	MOP HOLDER KIT	
1		1	Bracket-Mop Holder	
2		2	Handle Grips	
3		2	Screw M8x16 Hex Head, Stainless Steel	
4		4	Screw M3x10 Hex Head	
5		2	Threaded Insert, Brass, M8	



56116576 WEIGHT KIT

SC6000 860D NIL

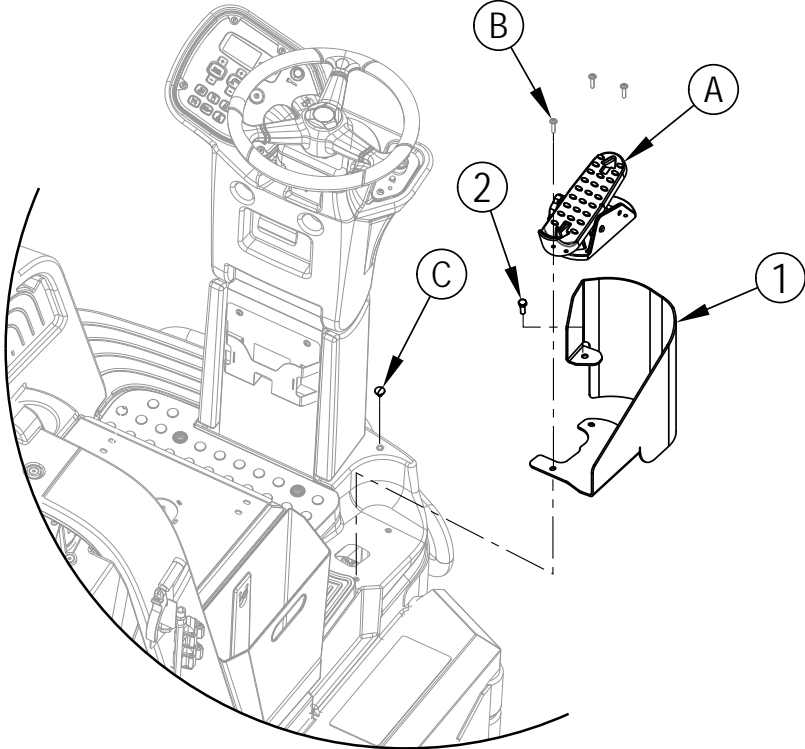
2016.06.09

2016.06.10

Pos.	Artikel-Nr.	Menge	Variante	Notes
	56116576	1	WEIGHT KIT-STEERING COLUMN	
1		4	Weight, 22 Lb (10 Kg)	
2		1	Mounting Plate	
3		10	Screw, Hex Head, M8 x 30	[1]
4		10	Washer, Flat	[1]
			Service Kits	
K1	56116944	1	HARDWARE KIT-WEIGHT	

Part Notes:

[1] - Part of K1



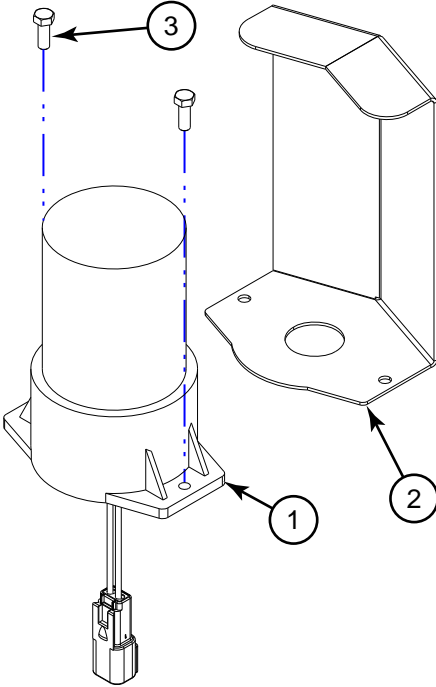
56116364 FOOT GUARD KIT

SC6000 860D NIL

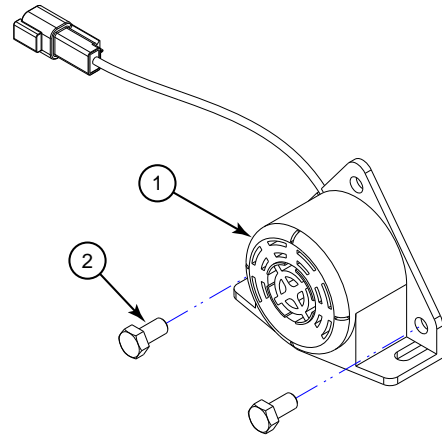
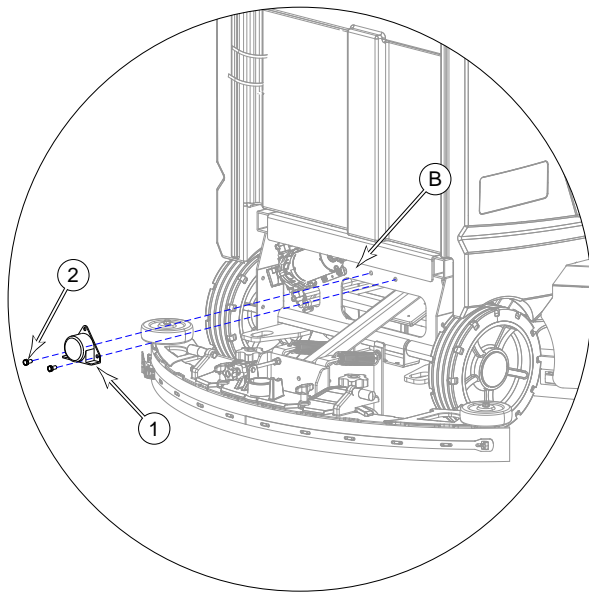
2016.06.09

2016.06.10

Pos.	Artikel-Nr.	Menge	Variante	Notes
	56116364	1	FOOT GUARD KIT	
1		1	Foot Guard	
2		1	Screw, Hex Hd, M8 x 12mm	



Pos.	Artikel-Nr.	Menge	Variante	Notes
	56116352	1	BEACON KIT	
1	56116353	1	BEACON-WARNING LED	
2		1	Bracket, Beacon	
3		2	Screw, M5 x 14, Hex Head	



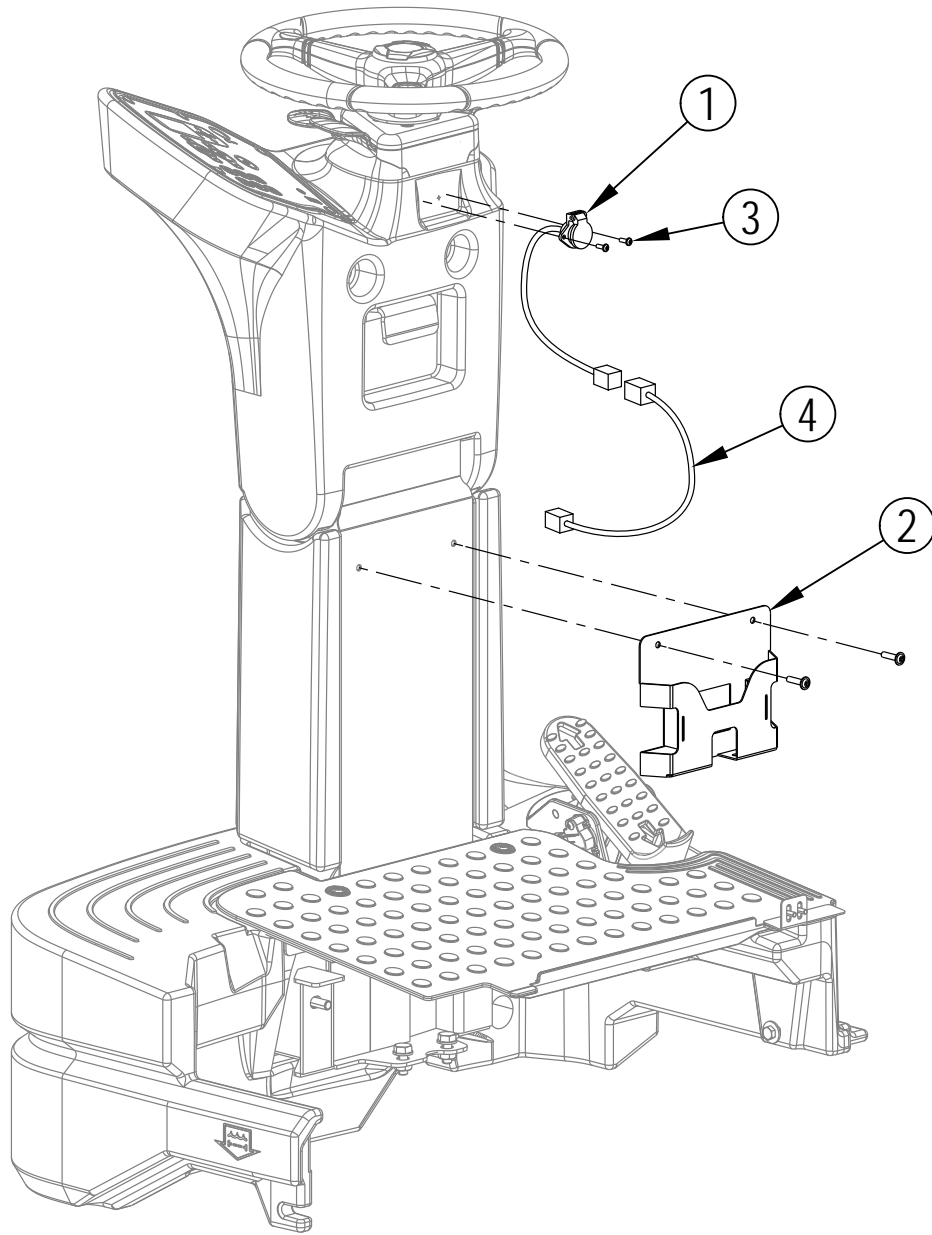
56116351 BACKUP ALARM KIT

SC6000 860D NIL

2016.06.09

2016.06.10

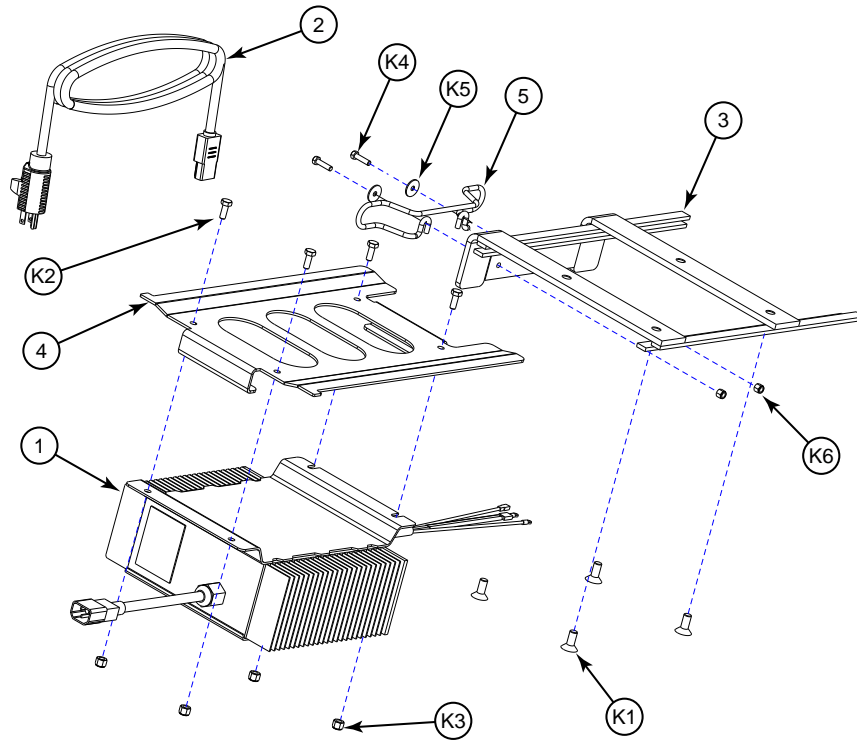
Pos.	Artikel-Nr.	Menge	Variante	Notes
	56116351	1	BACK-UP ALARM KIT	
1		1	Backup Alarm	
2		1	Screw, M8 x 16, Hex Head, Stainless Steel	



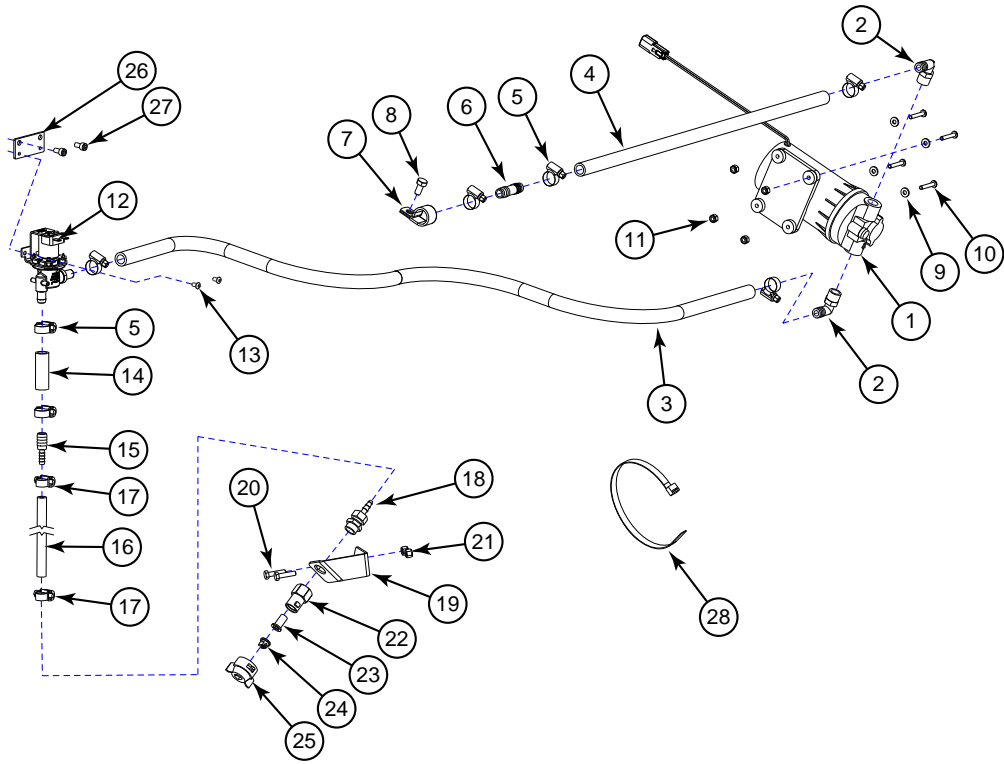
Pos.	Artikel-Nr.	Menge	Variante	Notes
	56116856	1	USB KIT	[1]
1	56116601	1	USB-2,0-TYPE A-PANEL MOUNT	
2	56116857	1	PHONE HOLDER WELDMENT	
3	56116865	2	SCREW M4X12 WN1451 BLACK ZN	
4	56118143	1	HARNESS-USB-JUMPER	

Part Notes:

[1] - TSB-FC-2017-033 SC6000 iPhone or iPad not charging



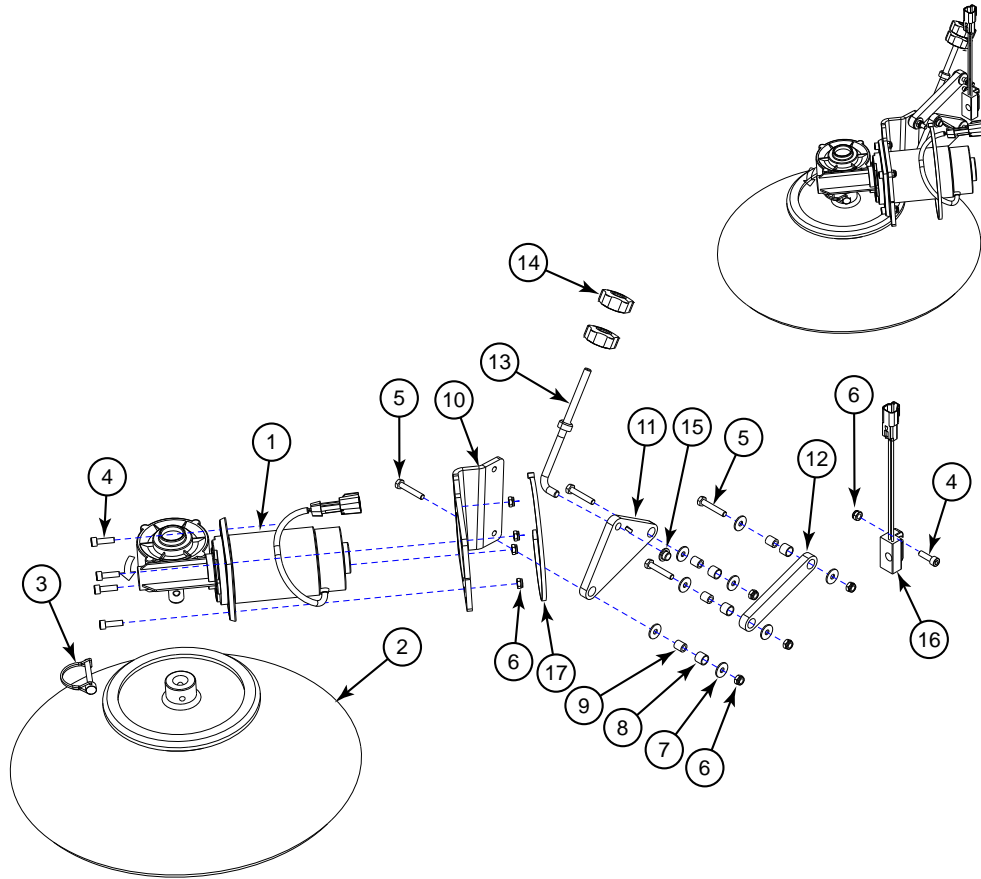
Pos.	Artikel-Nr.	Menge	Variante	Notes
	56116627	1	ONBOARD CHARGER KIT-EURO	
1	56315204	1	CHARGER ON-BOARD 36V	
2	56383389	1	CORD-CHARGER UK	
2	56383388	1	Ladegerät	
3	56116628	1	MOUNT WELDT-ONBOARD CHARGER	
4	56116631	1	BRACKET-ONBOARD CHARGER MOUNT	
5	1466317000	1	SUPPORT CABLE KIT	
Kit	56116947	1	HARDWARE KIT-ONBOARD CHARGER	
K1		4	Screw, Flat Hd, M8 x 20mm	
K2		4	Screw, Hex Hd, M6 x 16mm	
K3		4	Nut, Nylok, M6	
K4		2	Screw, Hex Hd, M5 x 20mm	
K5		2	Washer, Flat, SS, M5	
K6		2	Nut, Nylok, M5	



Pos.	Artikel-Nr.	Menge	Variante	Notes
	56116513	1	DUST GUARD KIT	
1	56116767	1	PUMP-36VDC	
2	56109566	2	BARB 90 ELBOW 1/2 X 3/8 NPT	
3	56410242	1	HOSE E00168	[1]
4		1	Hose, Braided, 1/2", x 24"	[2]
5		7	Hose Clamp, SAE #6	[2]
6		1	Coupler, 1/2" Barb	[2]
7		1	P-Clamp	[3]
8		1	Screw, Hex, M8 x 16mm	[3]
9		4	Washer, Flat, SAE #10	[3]
10		4	Screw, Pan Phil, 10-24 x 1.25	[3]
11		4	Nut, Nyloc, 10-24	[3]
12	56397216	1	VALVE SOLENOID 36V	
13		2	Scr-Button Soc SS M5-0.8 x 10	[3]
14		1	Hose, Braided, 1/2" x 2"	
15		1	Reducer, Barb, 1/2 x 1/4	
16		1	Hose, Braided, 1/4" x 16.25"	
17		2	Clamp, SAE #4	
18		1	Nozzle Adapter	[2]
19	56116697	1	BRACKET-SPRAY NOZZLE	
20		2	Screw, Hex, SS, M6 x 25mm	[3]
21		2	Nut, Nyloc, M6	[3]
22	56507909	1	ADAPTER NOZZLE	[3]
23	56507916	1	Rückschlagventil	[3]
24		1	Nozzle Orifice	[3]
25		1	Nozzle Cap	[3]
26		1	Solenoid Adapter Plate	[3]
27		2	Screw, Socket Head, M6 x 12	[3]
28		3	Cable Tie	[3]
			Service Kits	
K1	56116949	1	HOSE KIT-DUST GUARD	
K2	56118056	1	NOZZLE KIT-DUST GUARD	
K3	56118057	1	HARDWARE KIT-DUST GUARD	

Part Notes:

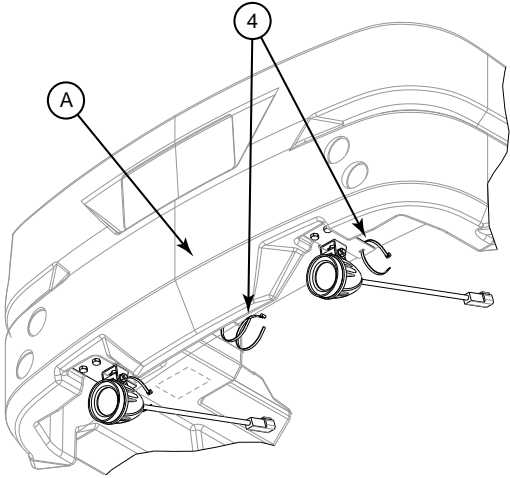
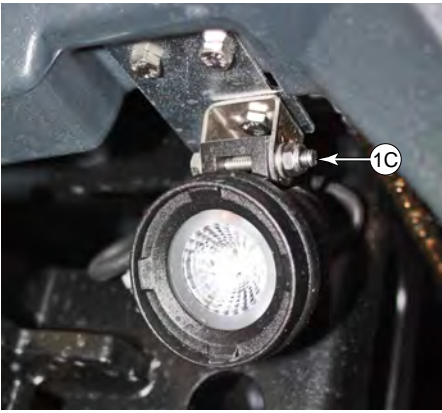
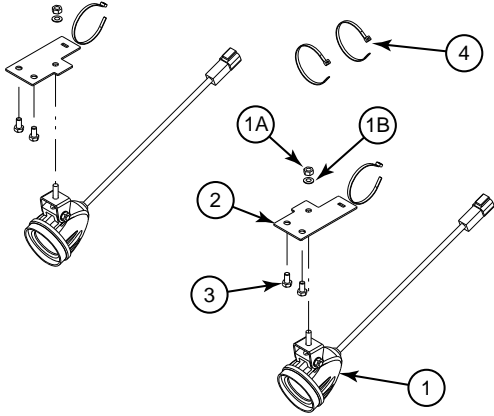
- [1] - GUARANTEE DATE EXPIRED
Part of K1
- [2] - Part of K1
- [3] - Part of K3



Pos.	Artikel-Nr.	Menge	Variante	Notes
	56116280	1	SEITENBESEN KIT	
1	56116761	1	GEAR MOTOR-SWEEP-RIGHT	
[]	56116897	1	CARBON BRUSHES	
2	56116858	1	BROOM 180X400MM POLYPROPYLENE	
3	1463960000	1	CLIP WITH PIN	
4		5	Screw, Socket Hd, M6 x 20mm	[1]
5		4	Screw, Hex Hd, M6 x 35mm	[1]
6		9	Nut, Hex,SS, M6	[1]
7		8	Washer, Flat, M6 x 18	[1]
8		4	Bearing	[1]
9		4	Bushing	[1]
10	56116693	1	BRACKET-SIDE BROOM MOTOR	
11	56116282	1	LINK WELDMENT-SIDE BROOM	
12	56116281	1	LINK-SIDE BROOM	
13		1	Lever Arm	[2]
14		2	Adjustment Knob, M8	[2]
15		1	Push Nut	[2]
16	56116784	1	SENSOR-PROXIMITY	
17		4	Cable Tie	[2]
			Service Kits	
K1	56116942	1	LEVER KIT	
K2	56116943	1	HARDWARE KIT-SIDE SWEEP	

Part Notes:

- [1] - Part of K2
 [2] - Part of K1



56116371 HEADLIGHT KIT

SC6000 860D NIL

2016.06.09

2016.06.10

Pos.	Artikel-Nr.	Menge	Variante	Notes
	56116371	1	Frontlich Kit	
1	56383032	2	LIGHT-LED	
2		2	Mounting Bracket	
3		4	Screw, SS, Hex Head, M6 x 12	
4		4	Cable Tie	

