

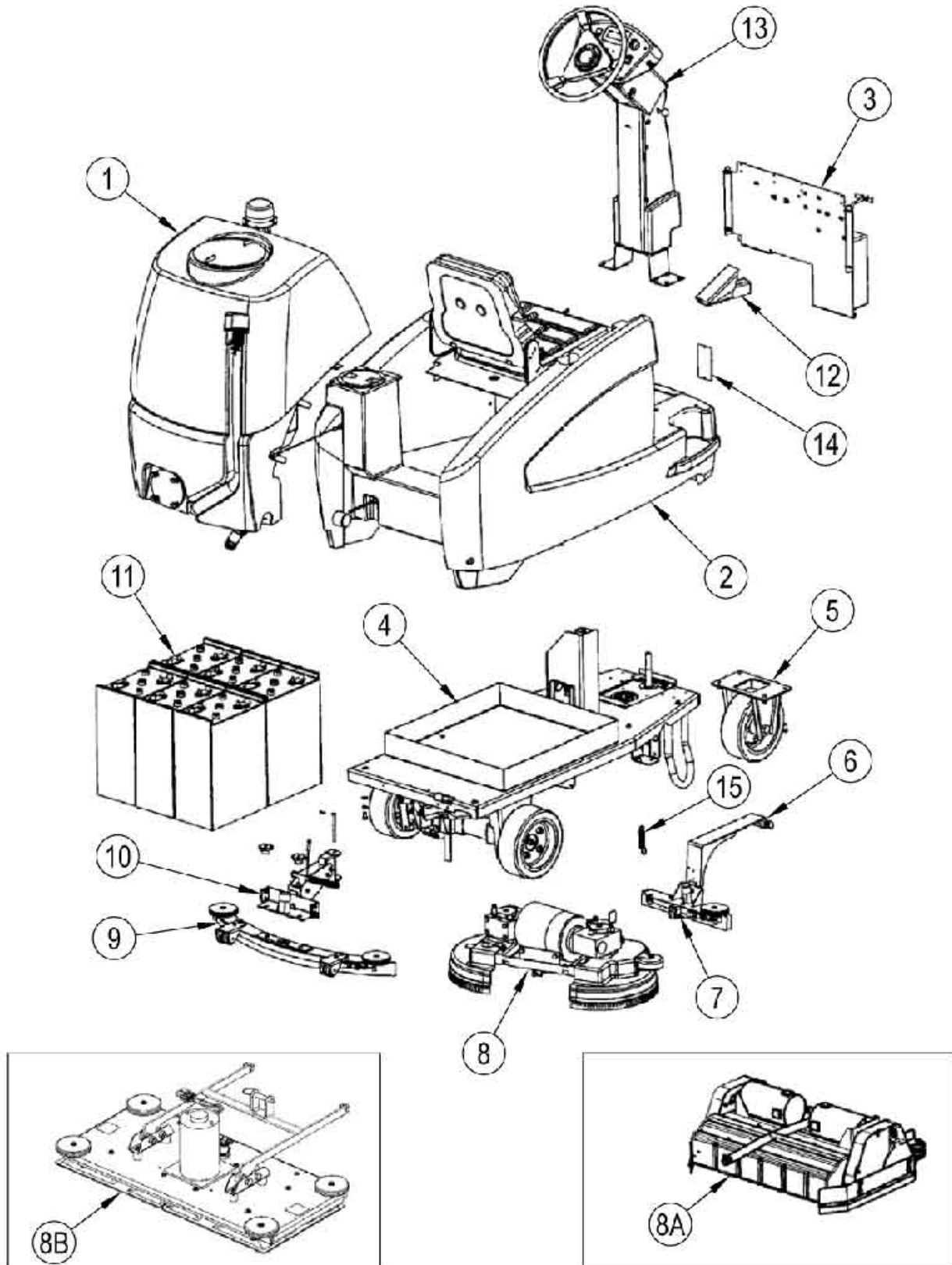
PARTS LIST



2021.09.10

TABLE OF CONTENTS

| | |
|---|----|
| Final assembly Manual Steering..... | 1 |
| Final assembly..... | 3 |
| Main frame R 571, 586..... | 5 |
| Main frame R 571 C..... | 7 |
| Main frame BOOST R..... | 9 |
| Optional side squeegee lift assembly..... | 11 |
| Front wheel sssembly..... | 13 |
| Squeegee lift assembly..... | 15 |
| Recovery tank assembly..... | 17 |
| Solution tank assembly (view 1 of 2)..... | 19 |
| Solution tank assembly (view 2 of 2)..... | 22 |
| Steering column assembly..... | 25 |
| 571 Antriebskopfset..... | 28 |
| 586 Antriebskopfset..... | 30 |
| 571 Zylinderkopf..... | 32 |
| Boost - Antriebsset..... | 34 |
| 81 cm squeegee assembly..... | 36 |
| 99 cm squeegee assembly..... | 38 |
| 104 cm squeegee assembly..... | 40 |
| Front Squeegee assembly..... | 42 |
| Front Squeegee arm assembly..... | 44 |
| Electrical panel assembly..... | 46 |
| Wiring - Electrical panel..... | 48 |
| Wiring - Operation switch..... | 50 |
| Wiring - Recovery tank - Solution tank - Machine frame..... | 52 |
| Wiring - Front of machine - Front el-panel - Traverse foot pedal..... | 54 |
| Electrical Schematic..... | 56 |
| Rider Electrical Options and Ground Connections..... | 58 |
| Accessories and Options..... | 60 |
| 56380210/56380211 - Flex Plate 28/32 Kit..... | 63 |

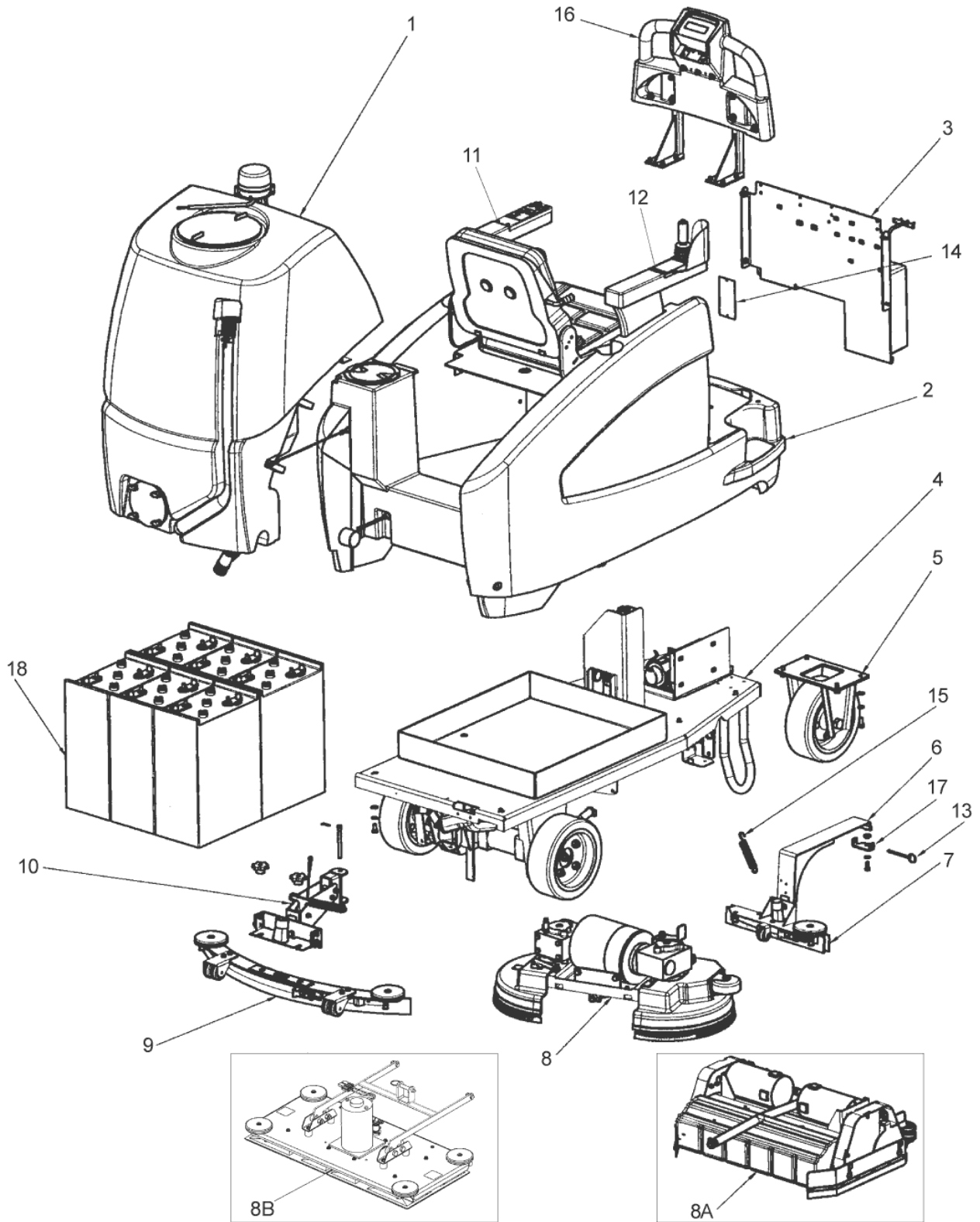


Resource notes:
NS= Not Shown

| Pos. | Artikel-Nr. | Menge | Variante | Notes |
|------|-------------|-------|--------------------------------|-------|
| 1 | | 1 | Tank recovery | [1] |
| 2 | | 1 | Tank solution 1 | [2] |
| 3 | | 1 | Plate, electrical (28) | [3] |
| 4 | | 1 | Mainfram, main asm. | [4] |
| 5 | | 1 | Wheel, front steering | [5] |
| 6 | | 1 | Arm, sec. squeegee lift | [6] |
| 7 | | 1 | Squeegee secondary | [7] |
| 8 | | 1 | Rotary brush | [8] |
| 8A | | 1 | Assembly, 28" cyl. brush head | [9] |
| 8B | | 1 | Assembly, 32" boost head | [10] |
| 9 | 10129L | 1 | SQUE ASM 32 LINATEX | |
| 9 | 11054L | 1 | SQUEE 39 ASM LINATEX BOOST | |
| 9 | 11040L | 1 | SQUE ASM 41 LINATEX BOOST RIDE | |
| 10 | | 1 | Arm, rear squeegee lift | [11] |
| 11 | | 1 | Battery 6V 420 AH | [12] |
| 12 | 53767A | 1 | Gaspedal | [13] |
| 13 | | 1 | Steering column assembly | [14] |
| 14 | 71018A | 1 | Warntafel | [15] |
| 15 | 818381 | 1 | Federspannrolle Ten TB16 | |
| NS | 56381853 | 1 | CABLE BATT 16 FUSED UNIV | |
| NS | 56409485 | 4 | CABLE ASSY.1 X 15.00 | |
| NS | 41217A | 4 | CABLE BATTERY KIT 14662B | |
| NS | 56398090 | 8 | Anschlussklemme | |
| NS | 56381848 | 1 | CABLE BATT 28 UNIV POST RED | |
| NS | 56372673 | 8 | BOOT, BATTERY POST | |
| NS | 40849A | 2 | SUPPRESSOR EMI SPLIT | |
| NS | 56478246 | 8 | CABLE TIE E00549 RE438BA | |
| NS | 56381846 | 1 | CABLE BATT 32 UNIV POST BLK | |

Part Notes:

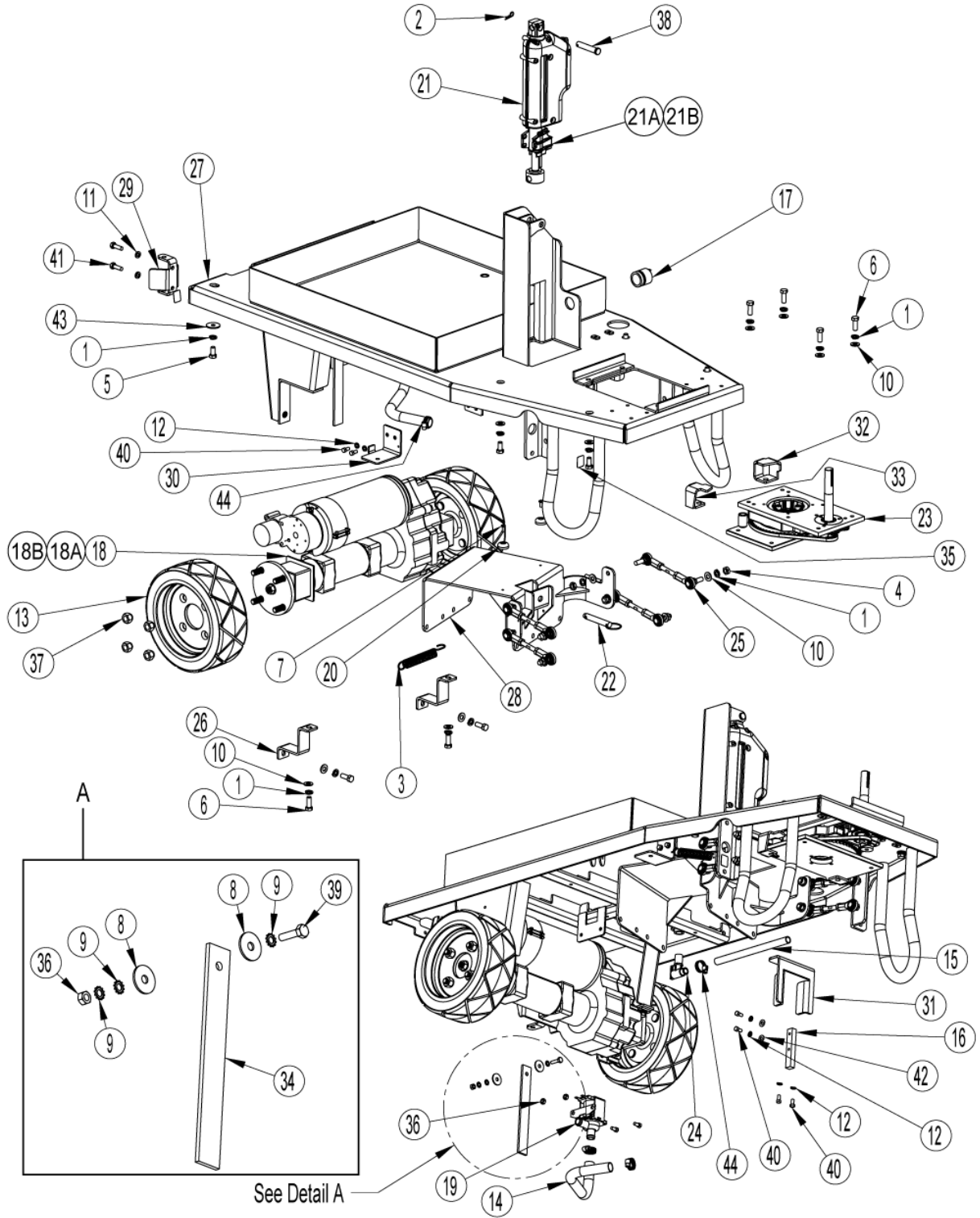
- [1] - TANK RECOVERY
- [2] - Tank solution 1
- [3] - Plate, Electrical (28)
- [4] - Mainframe, Main asm.
- [5] - Wheel , Front Steering
- [6] - Arm, Sec. Squeegee Lift
- [7] - Squeegee Secondary
- [8] - Rotary brush
- [9] - Assembly, 28" Cyl. Brush Head
- [10] - Assembly, 32" Boost Head
- [11] - Arm, Rear Squeegee Lift
- [12] - Battery-6V 420 AH
- [13] - GUARANTEE DATE EXPIRED
- [14] - Steering column assembly
- [15] - NO LONGER AVAILABLE



| Pos. | Artikel-Nr. | Menge | Variante | Notes |
|------|-------------|-------|--------------------------------|-------|
| 1 | | 1 | Tank, recovery | [1] |
| 2 | | 1 | Tank, solution | [2] |
| 3 | | 1 | Electronical panel assembly | [3] |
| 4 | | 1 | Main frame assembly | [4] |
| 5 | | 1 | Wheel, front steering | [5] |
| 6 | | 1 | Arm, sec. squeegee lift | [6] |
| 7 | | 1 | Squeegee secondary | [7] |
| 8A | | 1 | Assembly, 28 " cyl. brush head | [8] |
| 8B | | 1 | Boost, head assembly | [9] |
| 9 | 11054L | 1 | SQUEE 39 ASM LINATEX BOOST | |
| 9 | 10129L | 1 | SQUE ASM 32 LINATEX | |
| 10 | | 1 | Squeegee lift assembly | [10] |
| 11 | | 1 | Control arm, left | [11] |
| 12 | | 1 | Control arm, right | [12] |
| 13 | 53491A | 1 | Haltestift | |
| 14 | 71018A | 1 | Warntafel | [13] |
| 15 | 818381 | 1 | Federspannrolle Ten TB16 | |
| 16 | | 1 | Cover, front assembly | [14] |
| 16a | | 1 | Cover, front assembly | [14] |
| 17 | 60256A | 1 | Halterung, Zapfen | [15] |
| 18 | 40704A | 1 | BATTERY, 6V, 370AH, WET | |
| NI | 41217A | 1 | CABLE BATTERY KIT 14662B | |
| NI | 40896A | 1 | CABLE 32 NEG BATTERY | [16] |
| NI | 40895A | 1 | CABLE 24 POS BATTERY | |
| NI | 40882A | 1 | CABLE 200 AMP FUSIBLE | [16] |

Part Notes:

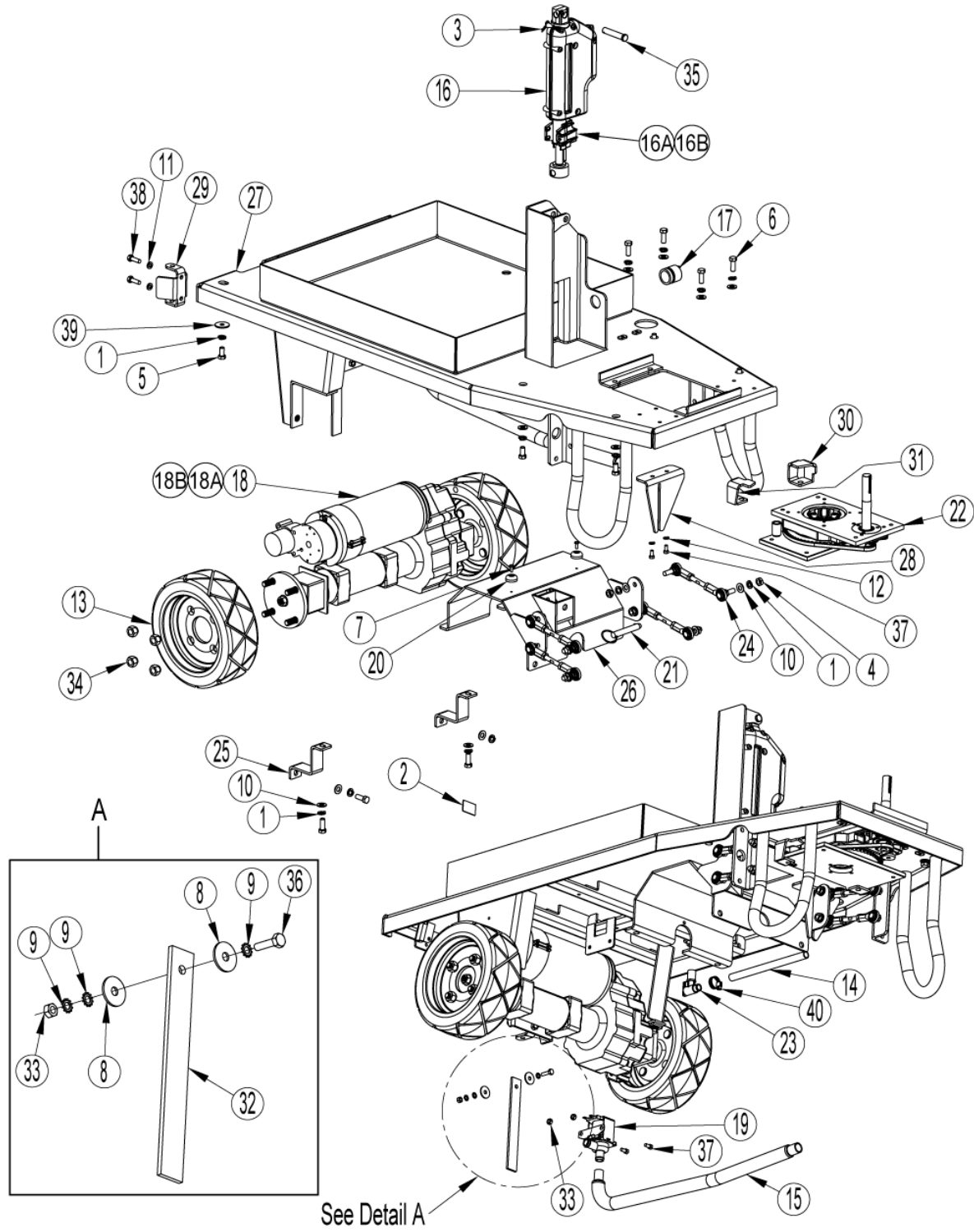
- [1] - Tank, Recovery
- [2] - Tank, Solution
- [3] - Electronical Panel Assembly
- [4] - Main Frame Assembly
- [5] - Wheel, Front Steering
- [6] - Arm, Sec. Squeegee Lift
- [7] - Squeegee Secondary
- [8] - Assembly, 28" Cyl. Brush head
- [9] - BOOST, Head Assembly
- [10] - Squeegee Lift Assembly
- [11] - Control Arm, Left
- [12] - Control Arm, Right
- [13] - NO LONGER AVAILABLE
- [14] - Cover, Front Assembly
- [15] - EXPIRED ON 01/23/2020
- [16] - SEE PI 2017-002



| Pos. | Artikel-Nr. | Menge | Variante | Notes |
|------|-------------|-------|------------------------------|-------|
| 01 | 170883 | 22 | Scheibe LK 3/8 | |
| 02 | 2-00-05320 | 1 | Haarnadel | |
| 03 | 818381 | 1 | Federspannrolle Ten TB16 | |
| 04 | 920204 | 8 | Mutter 3/8 HEX JAM | |
| 05 | 962244 | 6 | Bolzen 3/8 16 X HHCS | [1] |
| 06 | 962288 | 8 | SCREW 3/8-16 X 1.0 HX ST CAP | |
| 07 | 962929 | 2 | PHILLIPS PAN MACHINE SCREW | [2] |
| 08 | 980205 | 2 | Scheibe | |
| 09 | 980614 | 3 | U-Scheibe | |
| 10 | 980645 | 20 | Scheibe 3/8 | [3] |
| 11 | 980652 | 2 | Scheibe LK 5/16 REG | |
| 12 | 980657 | 6 | Scheibe 1/4 STD | |
| 13 | 56109703 | 2 | Rad | |
| 14 | 30445A | 1 | Schlauch, Frischwasser | |
| 15 | 30453A | 1 | Schlauch, Vinyl, | |
| 16 | 30558A | 1 | Block, Fahrgestell | |
| 17 | 40836A | 1 | HORN CE REVERSE ALARM | |
| 18 | 40837B | 1 | Getriebemotor 36v | |
| 18A | 40275A | 1 | Bremswarner | |
| 18B | 40274A | 1 | MOTOR TRANSAXLE FITS 40837B | [4] |
| 18N | 56380669 | 1 | Kohlebürstenkit | [5] |
| 19 | 48703A | 1 | Frischwasserventil | |
| 20 | 51609A | 2 | BUMPER-REAR | |
| 21 | 53386B | 1 | Hubzylinder kpl. f. Bürst | |
| 21A | 40910A | 1 | Platine mit Potenziometer | |
| 21B | 40866A | 1 | Gehäuse Potenziometer | |
| 22 | 53493A | 1 | Vierkantstift 2-1/2 | |
| 23 | 53760A | 1 | Lenkeinheit manuell | [4] |
| 24 | 59614A | 1 | Ablassventil, Batterie | |
| 25 | 61473A | 4 | Gelenkkopf Montage | [2] |
| 26 | 61475A | 2 | CLAMP TRANSAXLE | [4] |
| 27 | 61481A | 1 | FRAME WLDMT | [2] |
| 28 | 61482A | 1 | Winkelstück | [4] |
| 29 | 61491A | 1 | STOP SQUEEGEE | [4] |
| 30 | 61572A | 1 | Halterung vorn Sauglippe | |
| 31 | 61596A | 1 | Anschlag, Bürstkopf | |
| 32 | 61877A | 1 | Endanschlag Steuerung Links | |
| 33 | 61878A | 1 | Endanschlag Steuerung Rechts | |
| 34 | 69639A | 1 | Statikband (FUSION) | |
| 35 | 77267A | 4 | LABEL TIE DOWN FUSION | [4] |
| 36 | 81104A | 3 | Mutter 1/2-20, | |
| 37 | 81221A | 8 | Radmutter 500-20 | |
| 38 | 82501A | 1 | Stift, Bügel,3200 STD SII | |
| 39 | 85700A | 1 | Sechskantschraube | |
| 40 | 85737A | 8 | Schraube 1/4-20 X 5/8 HEX | |
| 41 | 85813A | 2 | Sechskantschraube | |
| 42 | 87026A | 2 | Scheibe .250 | [6] |
| 43 | 87054A | 2 | Dichtungsscheibe .375 | |
| 44 | 50248A | 3 | Schlauchschelle 3/8 | |

Part Notes:

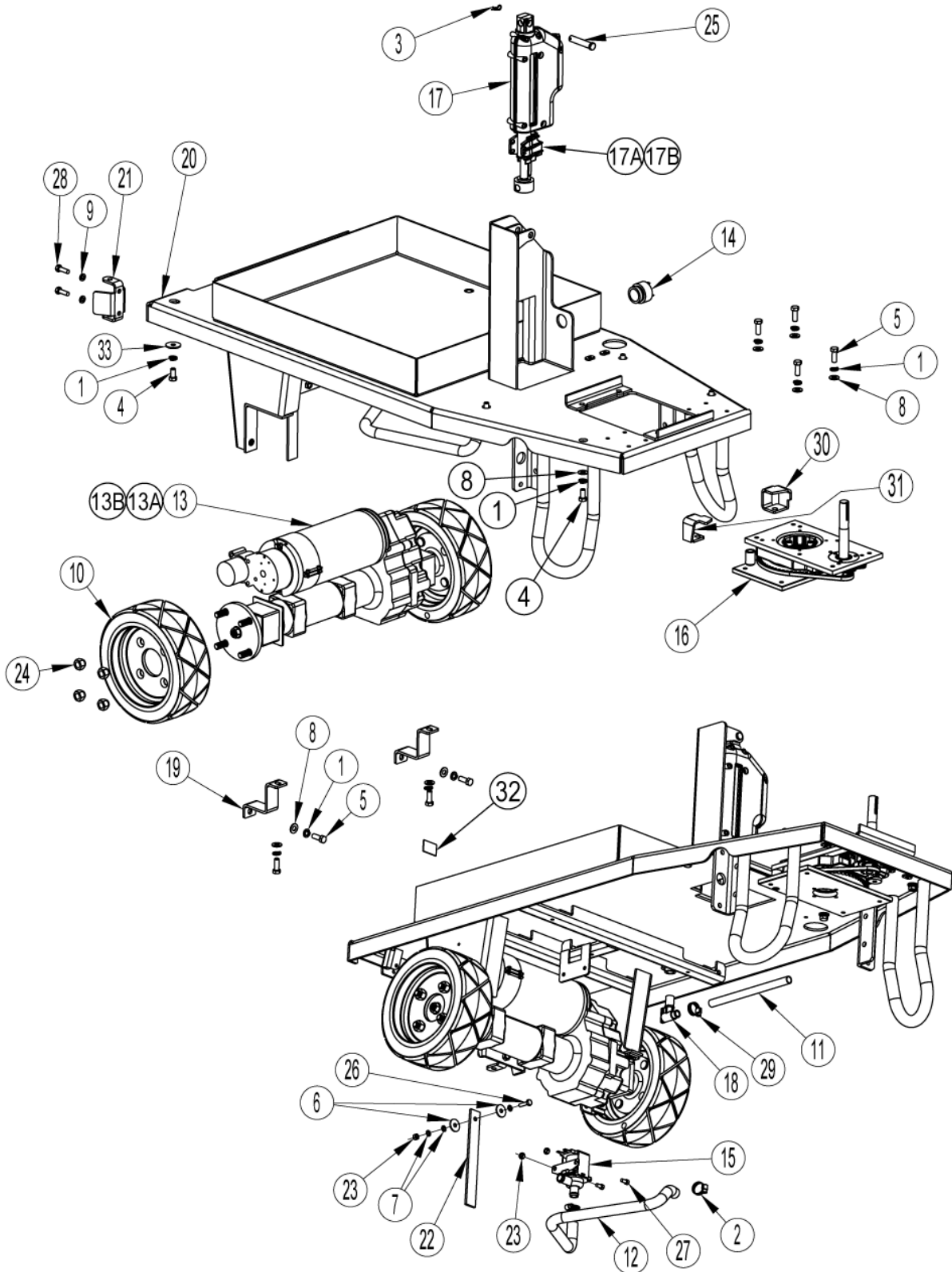
- [1] - EXPIRED USE 56002127
- [2] - NO LONGER AVAILABLE
- [3] - EXPIRED USE 56002063
- [4] - SEE PI 2017-002
- [5] - Not Shown
- [6] - EXPIRED USE 56002859



| Pos. | Artikel-Nr. | Menge | Variante | Notes |
|------|-------------|-------|------------------------------|-------|
| 01 | 170883 | 22 | Scheibe LK 3/8 | |
| 02 | 413754 | 1 | GRIP SOLUTION TANK CLAMP | [1] |
| 03 | 2-00-05320 | 1 | Haarnadel | |
| 04 | 920204 | 8 | Mutter 3/8 HEX JAM | |
| 05 | 962244 | 6 | Bolzen 3/8 16 X HHCS | [2] |
| 06 | 962288 | 8 | SCREW 3/8-16 X 1.0 HX ST CAP | |
| 07 | 962929 | 2 | PHILLIPS PAN MACHINE SCREW | [3] |
| 08 | 980205 | 2 | Scheibe | |
| 09 | 980614 | 3 | U-Scheibe | |
| 10 | 980645 | 20 | Scheibe 3/8 | [4] |
| 11 | 980652 | 2 | Scheibe LK 5/16 REG | |
| 12 | 980657 | 2 | Scheibe 1/4 STD | |
| 13 | 56109703 | 2 | Rad | |
| 14 | 30453A | 1 | Schlauch, Vinyl, | |
| 15 | 30649A | 1 | HOSE SOLUTION CYL | |
| 16 | 40771A | 1 | Stellantrieb | [5] |
| 16A | 40910A | 1 | Platine mit Potenziometer | |
| 16B | 40866A | 1 | Gehäuse Potentiometer | |
| 17 | 40836A | 1 | HORN CE REVERSE ALARM | |
| 18 | 56380669 | 1 | Kohlebürstenkit | [6] |
| 18 | 40837B | 1 | Getriebemotor 36v | |
| 18A | 40275A | 1 | Bremswarner | |
| 18B | 40274A | 1 | MOTOR TRANSAXLE FITS 40837B | [7] |
| 19 | 48703A | 1 | Frischwasserventil | |
| 20 | 51609A | 2 | BUMPER-REAR | |
| 21 | 53493A | 1 | Vierkantstift 2-1/2 | |
| 22 | 53760A | 1 | Lenkeinheit manuell | [7] |
| 23 | 59614A | 1 | Ablassventil, Batterie | |
| 24 | 61473A | 4 | Gelenkkopf Montage | [3] |
| 25 | 61475A | 2 | CLAMP TRANSAXLE | [7] |
| 26 | 61718A | 1 | Bürstenaufhängung | |
| 27 | 61719A | 1 | FRAME RIDER CYL. WELDMENT | |
| 28 | 61736A | 1 | Anschlagwinkel | |
| 29 | 61836A | 1 | STOP SQUEEGEE | |
| 30 | 61877A | 1 | Endanschlag Steuerung Links | |
| 31 | 61878A | 1 | Endanschlag Steuerung Rechts | |
| 32 | 69639A | 1 | Statikband (FUSION) | |
| 33 | 81104A | 3 | Mutter 1/2-20, | |
| 34 | 81221A | 8 | Radmutter 500-20 | |
| 35 | 82501A | 1 | Stift, Bügel,3200 STD SII | |
| 36 | 85700A | 1 | Sechskantschraube | |
| 37 | 85737A | 4 | Schraube 1/4-20 X 5/8 HEX | |
| 38 | 85813A | 2 | Sechskantschraube | |
| 39 | 87054A | 2 | Dichtungsscheibe .375 | |
| 40 | 50248A | 1 | Schlauchschelle 3/8 | |

Part Notes:

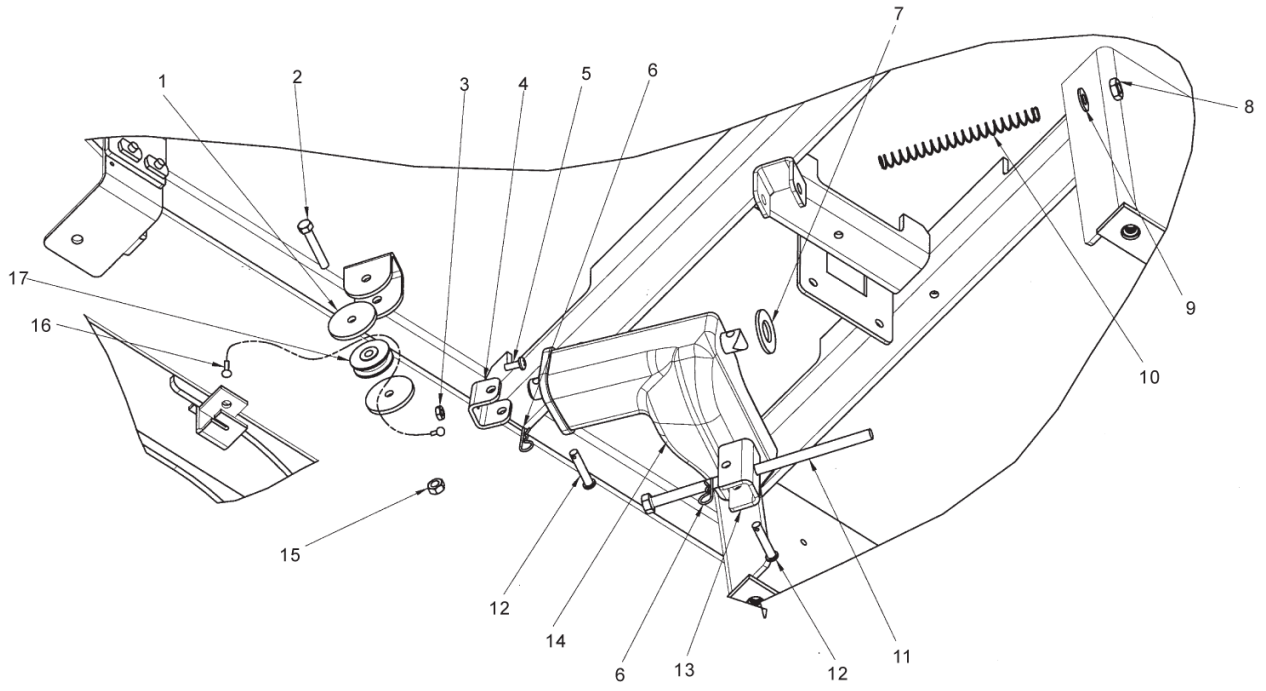
- [1] - EU ORDER FROM APEC
- [2] - EXPIRED USE 56002127
- [3] - NO LONGER AVAILABLE
- [4] - EXPIRED USE 56002063
- [5] - GUARANTEE DATE EXPIRED
- [6] - Not Shown
- [7] - SEE PI 2017-002



| Pos. | Artikel-Nr. | Menge | Variante | Notes |
|------|-------------|-------|------------------------------|-------|
| 01 | 170883 | 14 | Scheibe LK 3/8 | |
| 02 | 56219932 | 2 | Briede | |
| 03 | 2-00-05320 | 1 | Haarnadel | |
| 04 | 962244 | 8 | Bolzen 3/8 16 X HHCS | [1] |
| 05 | 962288 | 8 | SCREW 3/8-16 X 1.0 HX ST CAP | |
| 06 | 980205 | 2 | Scheibe | |
| 07 | 980614 | 3 | U-Scheibe | |
| 08 | 980645 | 12 | Scheibe 3/8 | [2] |
| 09 | 980652 | 2 | Scheibe LK 5/16 REG | |
| 10 | 56109703 | 2 | Rad | |
| 11 | 30453A | 1 | Schlauch, Vinyl, | |
| 12 | 30680A | 1 | Frischwasserschlauch, | |
| 13 | 40837B | 1 | Getriebemotor 36v | |
| 13 | 56380669 | 1 | Kohlebürstenkit | [3] |
| 13A | 40275A | 1 | Bremswarner | |
| 13B | 40274A | 1 | MOTOR TRANSAXLE FITS 40837B | [4] |
| 14 | 40836A | 1 | HORN CE REVERSE ALARM | |
| 15 | 48703A | 1 | Frischwasserventil | |
| 16 | 53760A | 1 | Lenkeinheit manuell | [4] |
| 17 | 53874A | 1 | Stellantrieb, Bürstendeck | [5] |
| 17A | 40910A | 1 | Platine mit Potenziometer | |
| 17B | 40866A | 1 | Gehäuse Potentiometer | |
| 18 | 59614A | 1 | Ablassventil, Batterie | |
| 19 | 61475A | 2 | CLAMP TRANSAXLE | [4] |
| 20 | 61719A | 1 | FRAME RIDER CYL. WELDMENT | |
| 21 | 61836A | 1 | STOP SQUEEGEE | |
| 22 | 69639A | 1 | Statikband (FUSION) | |
| 23 | 81104A | 3 | Mutter 1/2-20, | |
| 24 | 81221A | 8 | Radmutter 500-20 | |
| 25 | 82501A | 1 | Stift, Bügel,3200 STD SII | |
| 26 | 85700A | 1 | Sechskantschraube | |
| 27 | 85737A | 2 | Schraube 1/4-20 X 5/8 HEX | |
| 28 | 85813A | 2 | Sechskantschraube | |
| 29 | 50248A | 1 | Schlauchschele 3/8 | |
| 30 | 61877A | 1 | Endanschlag Steuerung Links | |
| 31 | 61878A | 1 | Endanschlag Steuerung Rechts | |
| 32 | 77267A | 4 | LABEL TIE DOWN FUSION | [4] |
| 33 | 87054A | 2 | Dichtungsscheibe .375 | |

Part Notes:

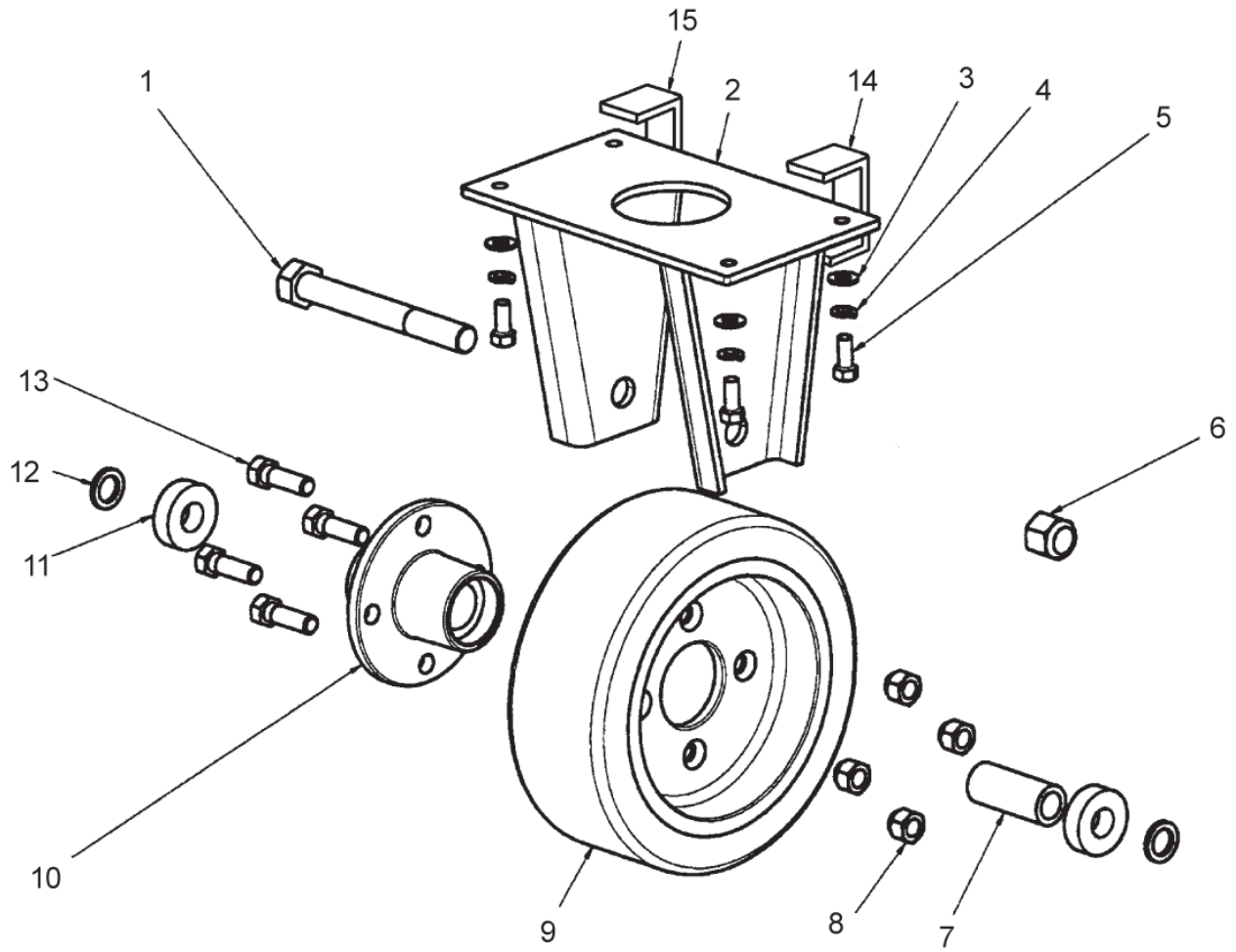
- [1] - EXPIRED USE 56002127
- [2] - EXPIRED USE 56002063
- [3] - Not Shown
- [4] - SEE PI 2017-002
- [5] - EXPIRED NO REPLACEMENT



| Pos. | Artikel-Nr. | Menge | Variante | Notes |
|------|-------------|-------|---------------------------|-------|
| 01 | 87624A | 2 | Flachscheibe 1.50X.26X.13 | |
| 02 | 86004A | 1 | Klemmschraube 1/4 | |
| 03 | 920296 | 1 | Elastische Sicherungs- | |
| 04 | 61699A | 1 | BRACKET SQU. LIFT | [1] |
| 05 | 962798 | 1 | Schraube 10-24X 1/2 | |
| 06 | 836711 | 2 | Haarnadel f. Bügel 8,0 mm | |
| 07 | 80152A | 1 | WASHER FLAT 5/8ID X 1.5OD | |
| 08 | 920110 | 1 | Sicherungsmutter | [2] |
| 09 | 56001939 | 1 | Flachdichtung 5/16 | |
| 10 | 80286A | 1 | SPRING | [3] |
| 11 | 80287A | 1 | SCREW 5/16-18X7 HHCS | |
| 12 | 80273A | 2 | Stift, Bügel 1/4 X 1-1/4 | |
| 13 | 61698A | 1 | BRACKET ACTUATOR MOUNT | [3] |
| 14 | 40751A | 1 | Stellantrieb, seiti. | [4] |
| 15 | 81104A | 1 | Mutter 1/2-20, | |
| 16 | 61695A | 1 | Seil, Seite Sauglippen- | |
| 17 | 57275a | 1 | Riemenscheibe, Sauglippe, | [1] |

Part Notes:

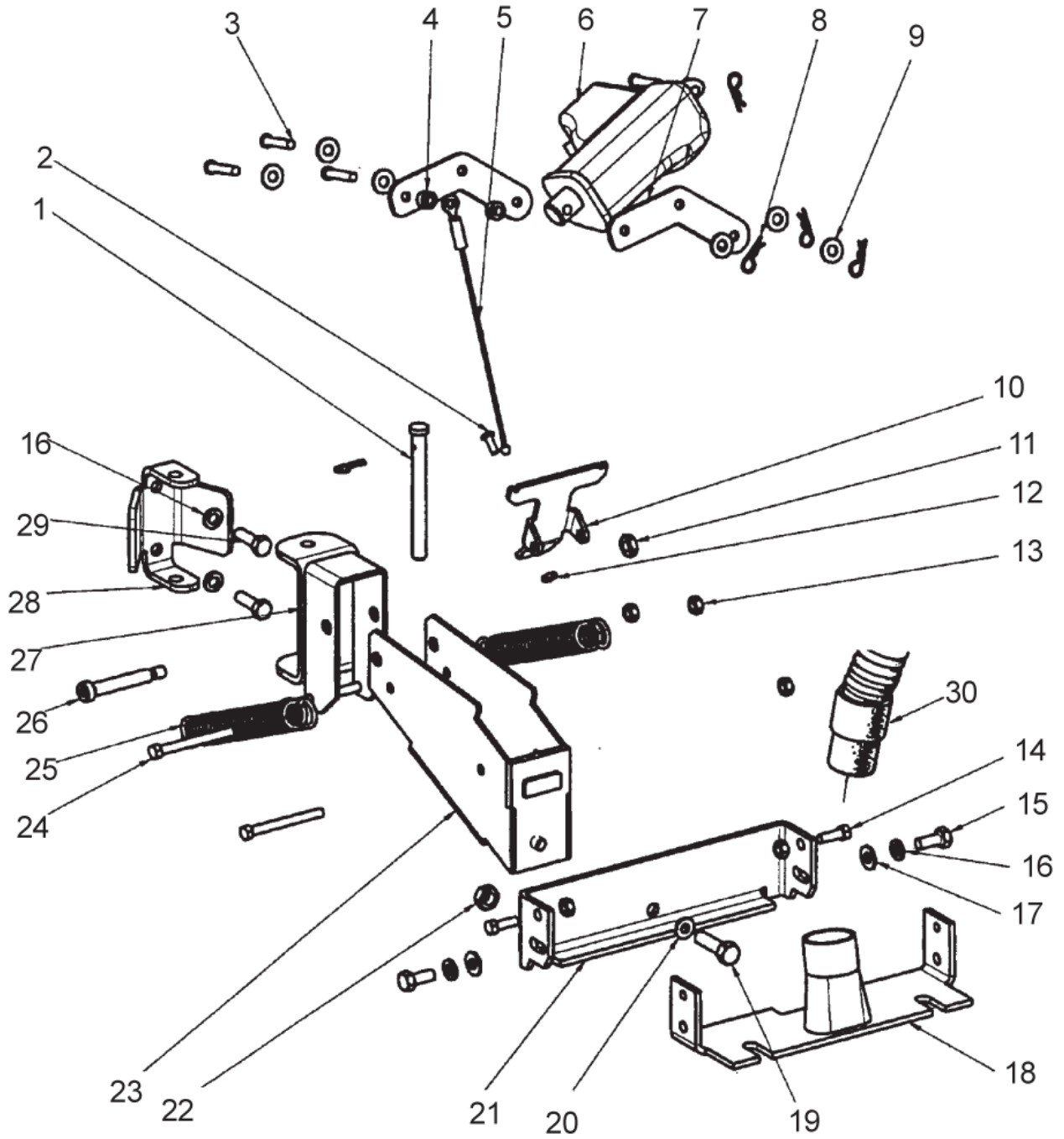
- [1] - NO LONGER AVAILABLE
- [2] - EXPIRED USE 56002701
- [3] - SEE PI 2017-002
- [4] - EXPIRED NO REPLACEMENT



| Pos. | Artikel-Nr. | Menge | Variante | Notes |
|------|-------------|-------|--------------------------------|-------|
| 01 | 80267A | 1 | Schraube 3/4 16 x 6 | |
| 02 | 61472A | 1 | WLDMT FRONT YOKE | [1] |
| 03 | 980645 | 4 | Scheibe 3/8 | [2] |
| 04 | 170883 | 4 | Scheibe LK 3/8 | |
| 05 | 85822A | 4 | Sechskantkopfschraube | |
| 06 | 80268A | 1 | Mutter 3/4 16 ESNA | |
| 07 | | 1 | SPACER, CENTER, INCLUDED W/#10 | [3] |
| 08 | 81221A | 4 | Radmutter 500-20 | |
| 09 | 56109703 | 1 | Rad | |
| 10 | 61691A | 1 | HUB FRONT WHEEL ASM. | [4] |
| 11 | | 2 | BEARING, INCLUDED W/#10 | [5] |
| 12 | | 2 | SPACER, INCLUDED W/#10 | [6] |
| 13 | 85838A | 4 | Schraube 1/2 UNC X 1.5 | |
| 14 | 61877A | 1 | Endanschlag Steuerung Links | |
| 15 | 61878A | 1 | Endanschlag Steuerung Rechts | |

Part Notes:

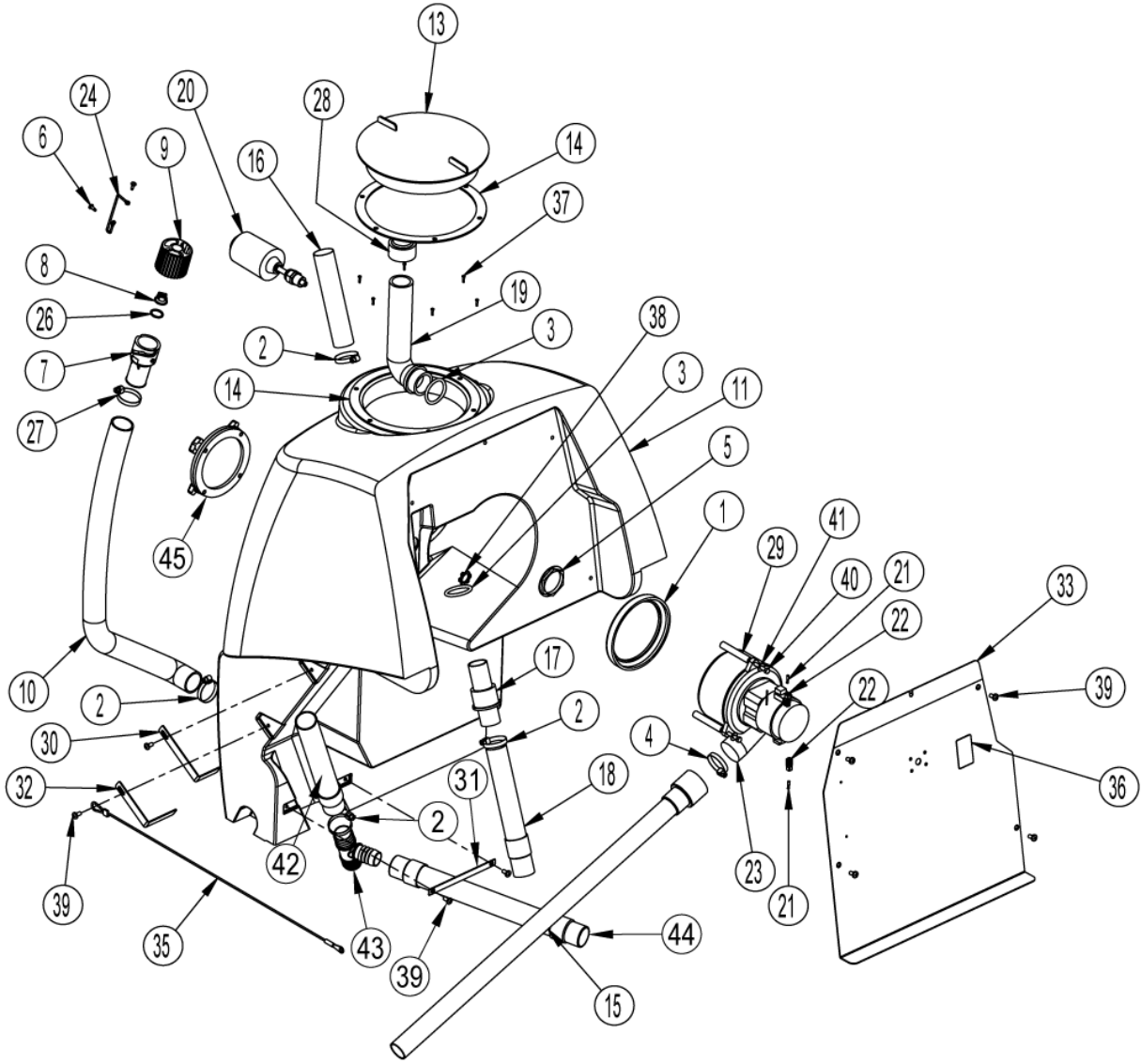
- [1] - SEE PI 2017-002
- [2] - EXPIRED USE 56002063
- [3] - SPACER, CENTER, INCLUDED W/#10
- [4] - INCLUDES POS. 11 AND 12
STOCK COVERS GUARANTEE
- [5] - BEARING, INCLUDED W/#10
- [6] - SPACER, INCLUDED W/#10



| Pos. | Artikel-Nr. | Menge | Variante | Notes |
|------|-------------|-------|-----------------------------|-------|
| 01 | 66531A | 1 | Stift, Schwenkarm, 32 DLX | |
| 02 | 962798 | 1 | Schraube 10-24X 1/2 | |
| 03 | 80273A | 4 | Stift, Bügel 1/4 X 1-1/4 | |
| 04 | 30542A | 2 | Abstandshalter | [1] |
| 05 | 61549A | 1 | Seilzug | |
| 06 | 53387B | 1 | Stellantrieb, Saugfuß | |
| 07 | 53446A | 2 | LEVER SQ LIFT | [1] |
| 08 | 836711 | 5 | Haarnadel f. Bügel 8,0 mm | |
| 09 | 87026A | 6 | Scheibe .250 | [2] |
| 10 | 61552A | 1 | Federhebel | |
| 11 | 920110 | 1 | Sicherungsmutter | [3] |
| 12 | 920296 | 1 | Elastische Sicherungs- | |
| 13 | 81104A | 5 | Mutter 1/2-20, | |
| 14 | 170915 | 2 | Sechskantschraube | |
| 15 | 962620 | 2 | Schraube 5/16-24X 3/4 | |
| 16 | 980652 | 4 | Scheibe LK 5/16 REG | |
| 17 | 56001939 | 2 | Flachdichtung 5/16 | |
| 18 | 61267A | 1 | Halter Schweißteil, Rohr | |
| 19 | 85730A | 1 | Sechskantschraube | |
| 20 | 87031A | 1 | Flachscheibe 3/8, S.S. | |
| 21 | 60678C | 11 | Rahmen Drehgelenk LARGE | |
| 22 | 81105A | 1 | Mutter 3/8-16, | |
| 23 | 61551A | 1 | Ausleger front | |
| 24 | 962269 | 2 | SCR 1/4 -20X2 1/2 HX ST CAP | |
| 25 | 53423A | 2 | Feder, Sauglippe Druck | |
| 26 | 80015A | 2 | Schaftbolzen 3/8 X 2 | |
| 27 | 61550A | 1 | Aufnahme Ausleger front | |
| 28 | 61736A | 1 | Anschlagwinkel | [4] |
| 28 | 61491A | 1 | STOP SQUEEGEE | [5] |
| 29 | 85813A | 2 | Sechskantschraube | |
| 30 | 30568A | 1 | Schlauch 1-1/2 Sauglippe | |

Part Notes:

- [1] - SEE PI 2017-002
- [2] - EXPIRED USE 56002859
- [3] - EXPIRED USE 56002701
- [4] - CYLINDRICAL
- [5] - ROTARY
SEE PI 2017-002



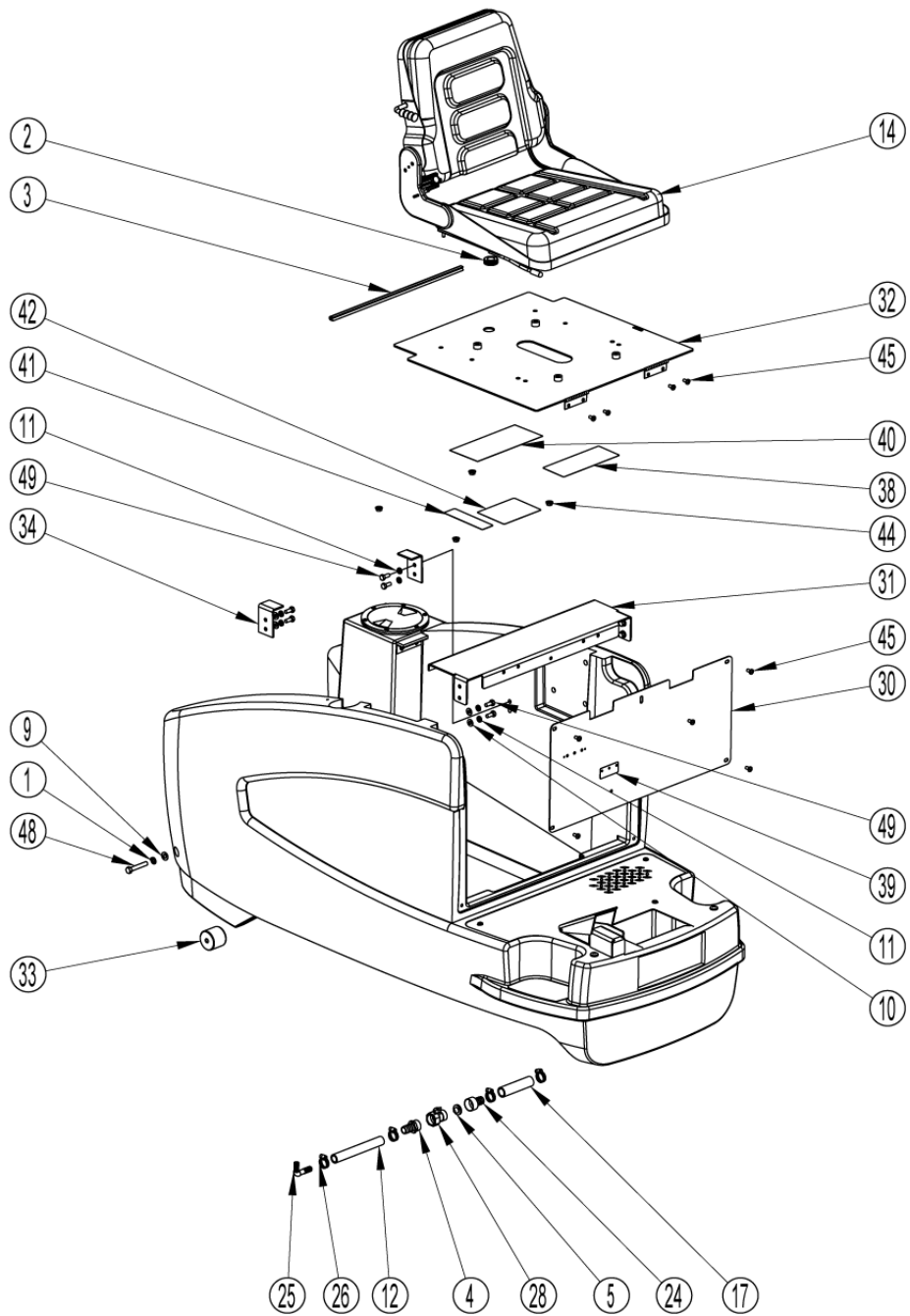
Resource notes:

Note 1: These items are only used on disk models.

| Pos. | Artikel-Nr. | Menge | Variante | Notes |
|------|-------------|-------|-------------------------------|-------|
| 01 | 643418 | 1 | GASKET | |
| 02 | 752020 | 3 | Schelle 450 Shampooierer | |
| 03 | 80382A | 2 | O-RING 2.145X.210 THK 50 DURO | |
| 04 | 872010 | 1 | Schlauchschele | |
| 05 | 185USP | 1 | NUT DIE CAST ALUM 1-1/2 N | |
| 05 | 185USP | 1 | NUT DIE CAST ALUM 1-1/2 N | |
| 06 | 962957 | 2 | Schraube Nr. 10-16X | |
| 07 | 30225A | 1 | Schlauchmuffe | |
| 08 | 30226A | 1 | Kolben für Ablaufschlauch | |
| 09 | 30227A | 1 | Kappe für Ablaufschlauch | |
| 10 | 30443A | 1 | Ablaufschlauch, Schmutz- | |
| 11 | 30531A | 1 | Tank, Schmutzwasser | [1] |
| 13 | 30581A | 1 | Tankverschluss | [1] |
| 14 | 30582A | 2 | Tankdichtung | |
| 15 | 30621A | 1 | HOSE RECOVERY TANK | [2] |
| 16 | 30622A | 1 | Abluftschlauch | |
| 17 | 30623A | 1 | Adapter Antrieb | [3] |
| 18 | 38731A | 1 | Saugschlauch 1 1/2 x 57.0 | |
| 19 | 39339B | 1 | Saugrohr 7 im Schmutzwa | |
| 20 | 40002A | 1 | Schwimmerschalter | |
| 21 | 41809A | 2 | Steckkontakt | |
| 22 | 43401A | 2 | Steckergehäuse (schwarz) | |
| 23 | 56109731 | 1 | Saugmotor 36V DC | |
| 23 | 56212223 | 2 | CARBON BRUSH SET OF 2 | [4] |
| 24 | 52206A | 1 | Abdeckung für Kette, | |
| 26 | 52560A | 1 | O RING .103 X .799 ID | |
| 27 | 53371A | 1 | Klemme SchlauchIMAGE16/20 | |
| 28 | 58069A | 1 | Filter fuer Vacuumrohr | |
| 29 | 58533A | 3 | Distanzstück, Saugermotor | |
| 30 | 61477A | 1 | HOSE RETAINER 90 DEG | [1] |
| 31 | 61478A | 1 | HOSE RETAINER STRAIGHT | |
| 32 | 61498A | 1 | HOSE RETAINER 90 DEG | |
| 33 | 61565A | 1 | PANEL REC TANK ACCESS | |
| 35 | 61573B | 1 | CABLE SEAT/REC TANK | |
| 36 | 71014A | 1 | LABEL FALLING PARTS | |
| 37 | 80056A | 6 | SCREW 4 X 1/2 P.H. PHILLIPS | |
| 38 | 82100A | 1 | Sicherungsmutter, | |
| 39 | 85395A | 8 | SCREW 1/4 20 X 1/2 PAN HD SS | |
| 40 | 85728A | 3 | Sechskantschraube | |
| 41 | 87026A | 3 | Scheibe .250 | [5] |
| 42 | 30567A | 1 | Schlauch 1-1/2 Sauger | [6] |
| 43 | 30561A | 1 | T-Stück, Schlauch | [6] |
| 44 | 30568A | 1 | Schlauch 1-1/2 Sauglippe | [6] |
| 45 | 10816A | 1 | REC TANK CLEANOUT OPTION | [7] |

Part Notes:

- [1] - SEE PI 2017-002
- [2] - EXPIRED NO REPLACEMENT
- [3] - STOCK COVERS GUARANTEE
- [4] - (for 56109731)
- [5] - EXPIRED USE 56002859
- [6] - NOTE 1
- [7] - NO LONGER AVAILABLE

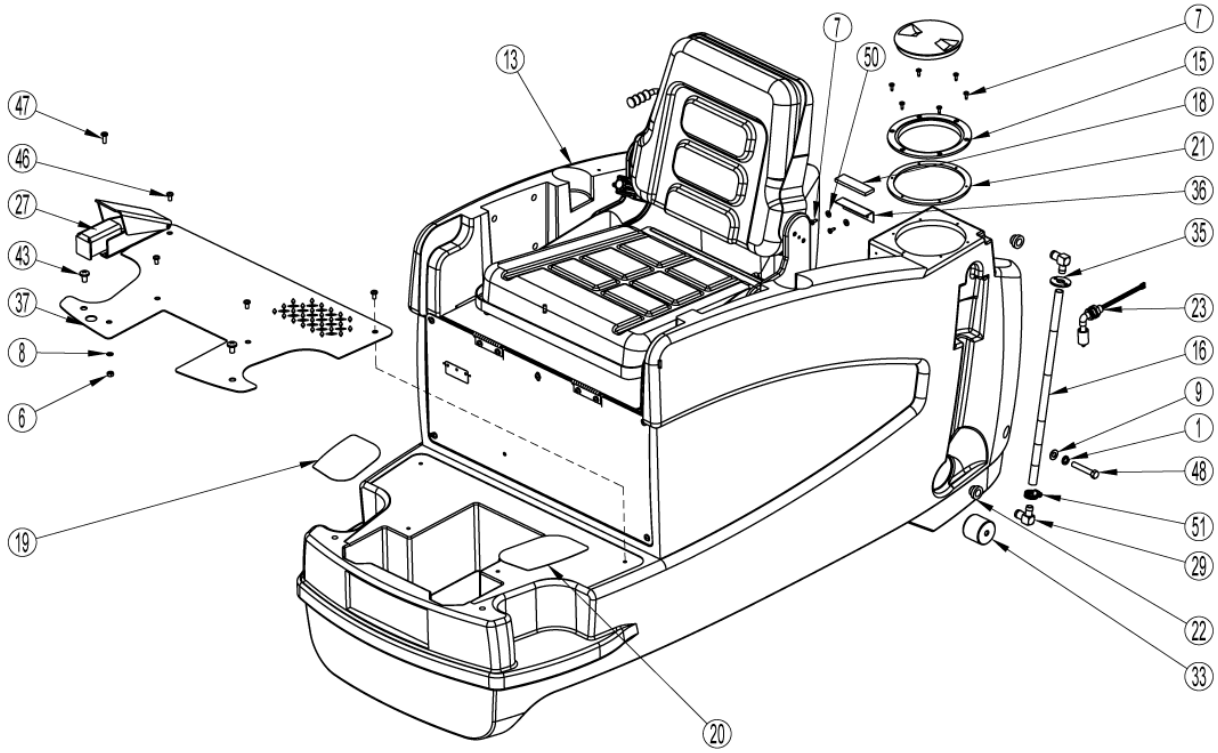


| Pos. | Artikel-Nr. | Menge | Variante | Notes |
|------|-------------|-------|------------------------------|-------|
| 01 | 170883 | 2 | Scheibe LK 3/8 | |
| 02 | 193944 | 1 | GROMMETRUBBER 3/4ID X 3/8 | |
| 03 | 193951 | 1 | TRIM DOUBLE LIP-BLACK | |
| 04 | 830214 | 1 | Schlauchtuelle Aussengewi | [1] |
| 05 | 838517 | 1 | Scheibe für Siebschlauch | [1] |
| 06 | 2-00-00594 | 1 | Mutter 6kt- 1/4-20 | |
| 07 | 962957 | 8 | Schraube Nr. 10-16X | |
| 08 | 980614 | 1 | U-Scheibe | |
| 09 | 980645 | 2 | Scheibe 3/8 | [2] |
| 10 | 56001939 | 8 | Flachdichtung 5/16 | |
| 11 | 980652 | 8 | Scheibe LK 5/16 REG | |
| 12 | 30445A | 1 | Schlauch, Frischwasser | |
| 13 | 30530A | 1 | Frischwassertank | |
| 14 | 30534B | 1 | ergonomischer Sitz, | [3] |
| 15 | 30539B | 1 | Deckel rund | [4] |
| 16 | 30564B | 1 | Schlauch, Frischwasser- | |
| 17 | 30566A | 1 | Schlauch, Frischwasser | |
| 18 | 30578A | 1 | GASKET TANK FILL BRKT | |
| 19 | 30596A | 1 | PAD SOLUTION TANK STEP RT | [5] |
| 20 | 30597A | 1 | PAD SOLUTION TANK STEP LT | [5] |
| 21 | 30775A | 1 | Dichtung f. Deckel | [4] |
| 22 | 56116721 | 2 | GROMMET .59X.78X.62IN | |
| 23 | 40876A | 1 | SENSOR LIQUID LEVEL | [6] |
| 24 | 50358A | 1 | Adapter, 5/8 Tülle | |
| 25 | 53498A | 1 | Rohrbogen 90Grad 1/2 NPTF | |
| 26 | 53571A | 4 | Schlauchschele | |
| 27 | 53767A | 1 | Gaspedal | [7] |
| 28 | 54088A | 1 | Absperrventil | |
| 29 | 30883A | 2 | Verbindungsstück, Bogen | |
| 30 | 61489A | 1 | COVER ELECTRICAL PANEL | [6] |
| 31 | 61490A | 1 | MOUNT SEAT ASM. WLDMT | [6] |
| 32 | 61492B | 1 | PLATE SEAT SUPPORT | [6] |
| 33 | 61561A | 2 | PIVOT Schmutzwassertank | [4] |
| 34 | 61562A | 2 | BRACKET SEAT STOP | [5] |
| 35 | 61563A | 1 | Beilagscheibe Seitengestä | |
| 36 | 61574A | 1 | BRACKET TANK FILL | [6] |
| 37 | 61843A | 1 | Aufnahmeplatte | [6] |
| 38 | 70841A | 1 | LABEL BATTERY INSTALLATION | [6] |
| 39 | 70883A | 1 | LABEL BATTERY CHARGER | |
| 40 | 70884A | 1 | LABEL ERROR CODE | [6] |
| 41 | 71015A | 1 | LABEL GASES & CHEMICALS | |
| 42 | 71278A | 1 | LABEL BRAKE OPERATION | [6] |
| 43 | 80333A | 2 | SCREW 3/8-16 X 5/8 C.R.P.H. | [6] |
| 44 | 81208A | 4 | NUT HEX SERRATED FLANGE 5/1 | |
| 45 | 85395A | 9 | SCREW 1/4 20 X 1/2 PAN HD SS | |
| 46 | 85398A | 4 | Flachkopfschraube | |
| 47 | 85518A | 1 | Schraube 1/4 -20X 3/4 | |
| 48 | 85704A | 2 | Sechskantschraube | |
| 49 | 56002667 | 8 | Schraube 5/16-18 X.75 | |
| 50 | 87036A | 2 | Flachscheibe Nr. 10 S.S. | |
| 51 | 50248A | 1 | Schlauchschele 3/8 | |
| NS | 61573B | 1 | CABLE SEAT/REC TANK | |

Part Notes:

- [1] - STOCK COVERS GUARANTEE
- [2] - EXPIRED USE 56002063
- [3] - EXPIRED ON 02/26/2021
- [4] - EXPIRED NO REPLACEMENT
- [5] - NO LONGER AVAILABLE

- [6] - SEE PI 2017-002
- [7] - GUARANTEE DATE EXPIRED

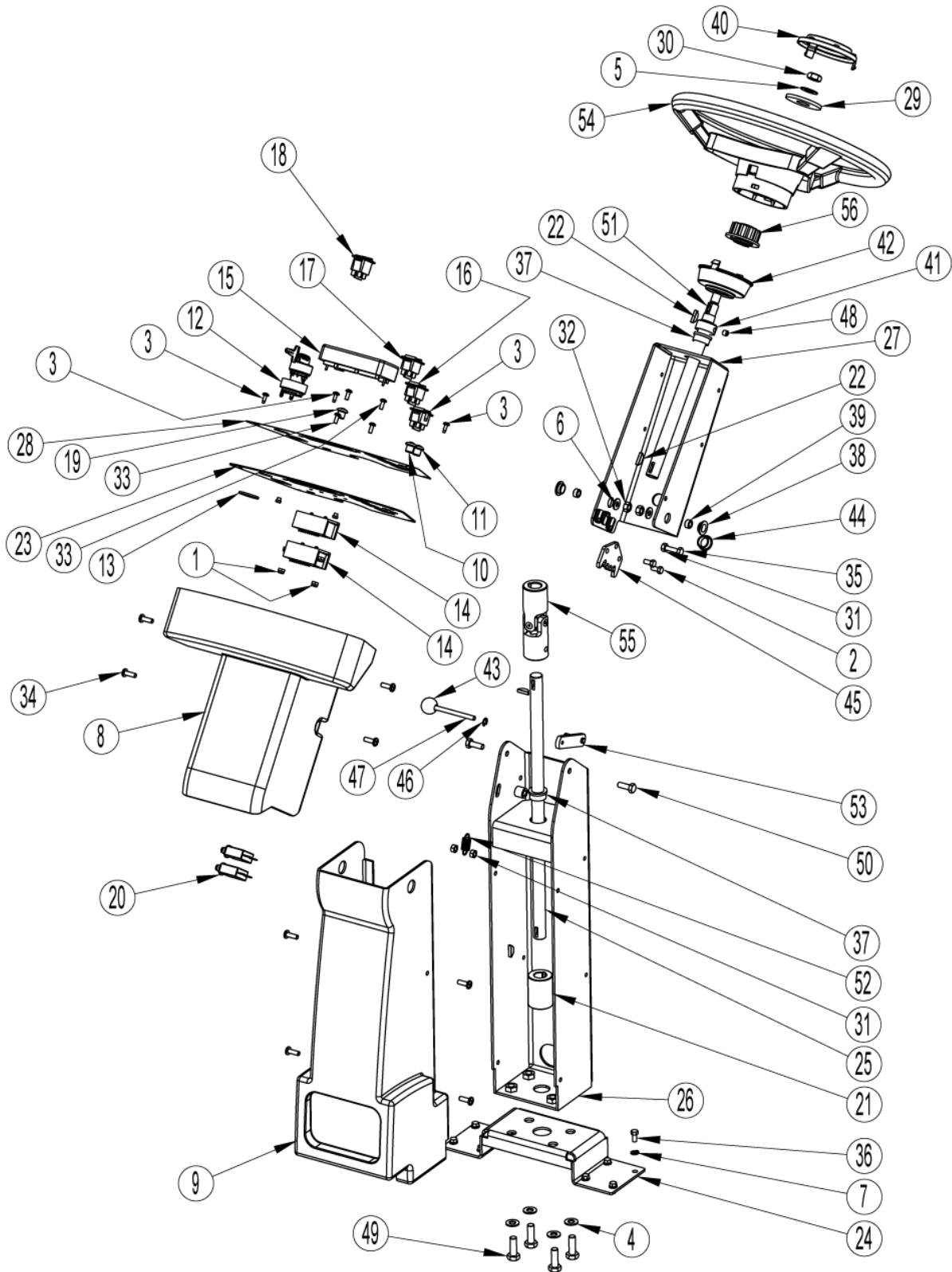


| Pos. | Artikel-Nr. | Menge | Variante | Notes |
|------|-------------|-------|------------------------------|-------|
| 01 | 170883 | 2 | Scheibe LK 3/8 | |
| 02 | 193944 | 1 | GROMMETRUBBER 3/4ID X 3/8 | |
| 03 | 193951 | 1 | TRIM DOUBLE LIP-BLACK | |
| 04 | 830214 | 1 | Schlauchtuelle Aussengewi | [1] |
| 05 | 838517 | 1 | Scheibe für Siebschlauch | [1] |
| 06 | 2-00-00594 | 1 | Mutter 6kt- 1/4-20 | |
| 07 | 962957 | 8 | Schraube Nr. 10-16X | |
| 08 | 980614 | 1 | U-Scheibe | |
| 09 | 980645 | 2 | Scheibe 3/8 | [2] |
| 10 | 56001939 | 8 | Flachdichtung 5/16 | |
| 11 | 980652 | 8 | Scheibe LK 5/16 REG | |
| 12 | 30445A | 1 | Schlauch, Frischwasser | |
| 13 | 30530A | 1 | Frischwassertank | |
| 14 | 30534B | 1 | ergonomischer Sitz, | [3] |
| 15 | 30539B | 1 | Deckel rund | [4] |
| 16 | 30564B | 1 | Schlauch, Frischwasser- | |
| 17 | 30566A | 1 | Schlauch, Frischwasser | |
| 18 | 30578A | 1 | GASKET TANK FILL BRKT | |
| 19 | 30596A | 1 | PAD SOLUTION TANK STEP RT | [5] |
| 20 | 30597A | 1 | PAD SOLUTION TANK STEP LT | [5] |
| 21 | 30775A | 1 | Dichtung f. Deckel | [4] |
| 22 | 56116721 | 2 | GROMMET .59X.78X.62IN | |
| 23 | 40876A | 1 | SENSOR LIQUID LEVEL | [6] |
| 24 | 50358A | 1 | Adapter, 5/8 Tülle | |
| 25 | 53498A | 1 | Rohrbogen 90Grad 1/2 NPTF | |
| 26 | 53571A | 4 | Schlauchschele | |
| 27 | 53767A | 1 | Gaspedal | [7] |
| 28 | 54088A | 1 | Absperrventil | |
| 29 | 30883A | 2 | Verbindungsstück, Bogen | |
| 30 | 61489A | 1 | COVER ELECTRICAL PANEL | [6] |
| 31 | 61490A | 1 | MOUNT SEAT ASM. WLDMT | [6] |
| 32 | 61492B | 1 | PLATE SEAT SUPPORT | [6] |
| 33 | 61561A | 2 | PIVOT Schmutzwassertank | [4] |
| 34 | 61562A | 2 | BRACKET SEAT STOP | [5] |
| 35 | 61563A | 1 | Beilagscheibe Seitengestä | |
| 36 | 61574A | 1 | BRACKET TANK FILL | [6] |
| 37 | 61843A | 1 | Aufnahmeplatte | [6] |
| 38 | 70841A | 1 | LABEL BATTERY INSTALLATION | [6] |
| 39 | 70883A | 1 | LABEL BATTERY CHARGER | |
| 40 | 70884A | 1 | LABEL ERROR CODE | [6] |
| 41 | 71015A | 1 | LABEL GASES & CHEMICALS | |
| 42 | 71278A | 1 | LABEL BRAKE OPERATION | [6] |
| 43 | 80333A | 2 | SCREW 3/8-16 X 5/8 C.R.P.H. | [6] |
| 44 | 81208A | 4 | NUT HEX SERRATED FLANGE 5/1 | |
| 45 | 85395A | 9 | SCREW 1/4 20 X 1/2 PAN HD SS | |
| 46 | 85398A | 4 | Flachkopfschraube | |
| 47 | 85518A | 1 | Schraube 1/4 -20X 3/4 | |
| 48 | 85704A | 2 | Sechskantschraube | |
| 49 | 56002667 | 8 | Schraube 5/16-18 X.75 | |
| 50 | 87036A | 2 | Flachscheibe Nr. 10 S.S. | |
| 51 | 50248A | 1 | Schlauchschele 3/8 | |
| NS | 61573B | 1 | CABLE SEAT/REC TANK | |

Part Notes:

- [1] - STOCK COVERS GUARANTEE
- [2] - EXPIRED USE 56002063
- [3] - EXPIRED ON 02/26/2021
- [4] - EXPIRED NO REPLACEMENT
- [5] - NO LONGER AVAILABLE

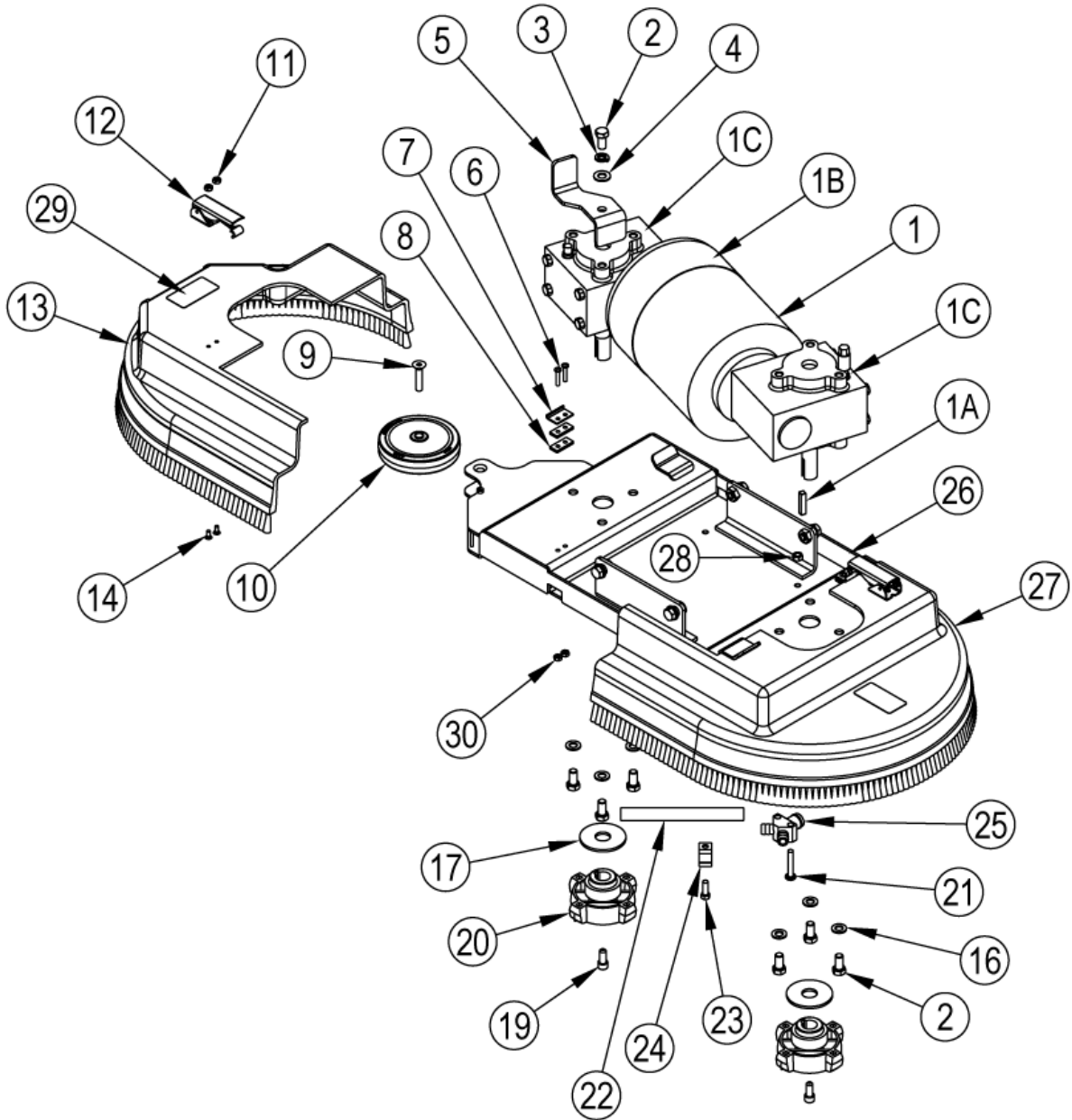
- [6] - SEE PI 2017-002
- [7] - GUARANTEE DATE EXPIRED



| Pos. | Artikel-Nr. | Menge | Variante | Notes |
|------|-------------|-------|----------------------------------|-------|
| 01 | 56002873 | 4 | Mutter HEX NYL LOC 10-32 | |
| 02 | 962430 | 2 | SCHRAUBE 1/4-20 X 1/2 HX ST MACH | |
| 03 | 962957 | 4 | Schraube Nr. 10-16X | |
| 04 | 980645 | 4 | Scheibe 3/8 | [1] |
| 05 | 56001879 | 1 | U-SCHEIBEN | |
| 06 | 56001939 | 2 | Flachdichtung 5/16 | |
| 07 | 980657 | 8 | Scheibe 1/4 STD | |
| 08 | 30733B | 1 | COVER FRONT UPPER | |
| 09 | 30734B | 1 | COVER FRONT LOWER | |
| 10 | 40706A | 1 | Drucktaster | [2] |
| 11 | 40748A | 1 | Umschaltknopf grün | [3] |
| 12 | 40786A | 1 | Schlüsselschalter | |
| 13 | 40786S | 1 | SPACER KEY SWITCH FOCUS | |
| 14 | 40879A | 2 | LED-Modul, Frisch-/ | |
| 15 | 40880B | 1 | Display LCD | |
| 16 | 40885A | 2 | Wippschalter | |
| 17 | 40890A | 1 | Wippschalter | [3] |
| 18 | 40940A | 1 | Schalter | |
| 19 | 40941A | 1 | SWITCH HORN | |
| 20 | 41423B | 2 | Überstrombegrenzer 5A rüc | |
| 21 | 53759A | 1 | COUPLING SLEEVE | [2] |
| 22 | 55400A | 4 | Passfeder | |
| 23 | 61835A | 1 | PANEL CONTROL | |
| 24 | 61837B | 1 | PLATE COLUMN ADAPTOR | [2] |
| 25 | 61838B | 1 | SHAFT LOWER | |
| 26 | 61839B | 1 | COLUMN LOWER | [2] |
| 27 | 61848A | 1 | COLUMN UPPER STEERING | [4] |
| 28 | 71165A | 1 | LABEL CONTROL PANEL | [2] |
| 29 | 80328A | 1 | WASHER .82 ID X 2.29 OD X .18T | |
| 30 | 80349A | 1 | NUT 1/2-13 THIN HEX NYLOCK | [2] |
| 31 | 81104A | 3 | Mutter 1/2-20, | |
| 32 | 81112A | 2 | Mutter 5/16-18 dünn | |
| 33 | 84237A | 4 | Flachkopfschraube | |
| 34 | 85518A | 8 | Schraube 1/4 -20X 3/4 | |
| 35 | 85700A | 1 | Sechskantschraube | |
| 36 | 85737A | 8 | Schraube 1/4-20 X 5/8 HEX | |
| 37 | 56250414 | 2 | Bearing Flange/Lager | |
| 38 | 56413211 | 2 | Lagerflansche | |
| 39 | 56320595 | 2 | BUECHSE | |
| 40 | 56497543 | 1 | CAP | |
| 41 | 56367095 | 1 | Ring zu 5015B | |
| 42 | 56497308 | 1 | Verschaltung Lenkwelle | |
| 43 | 56440817 | 1 | "Knopf 1.00 x 1/4 """" | |
| 44 | 56900041 | 1 | Hülse | |
| 45 | 56413658 | 1 | Verzahnung | |
| 46 | 56003261 | 1 | Ring | |
| 47 | 56413664 | 1 | Stange | |
| 48 | 56002086 | 1 | Madenschraube | |
| 49 | 80088A | 4 | SCREW M10-1.5 X 30MM | |
| 50 | 56002037 | 2 | SCR HEX 5/16-18 X .88 | |
| 51 | 56420059 | 1 | Lenkstange, oben | |
| 52 | 56305072 | 1 | Zugfeder | |
| 53 | 56413661 | 1 | Lenksperrung | |
| 54 | 56497306 | 1 | Lenkrad cu CR 1300 | |
| 55 | 56454081 | 1 | Kreuzgelenk zu 5015B | |
| 56 | 56497560 | 1 | Adapter | |

Part Notes:

- [1] - EXPIRED USE 56002063
- [2] - SEE PI 2017-002
- [3] - EXPIRED NO REPLACEMENT
- [4] - NO LONGER AVAILABLE

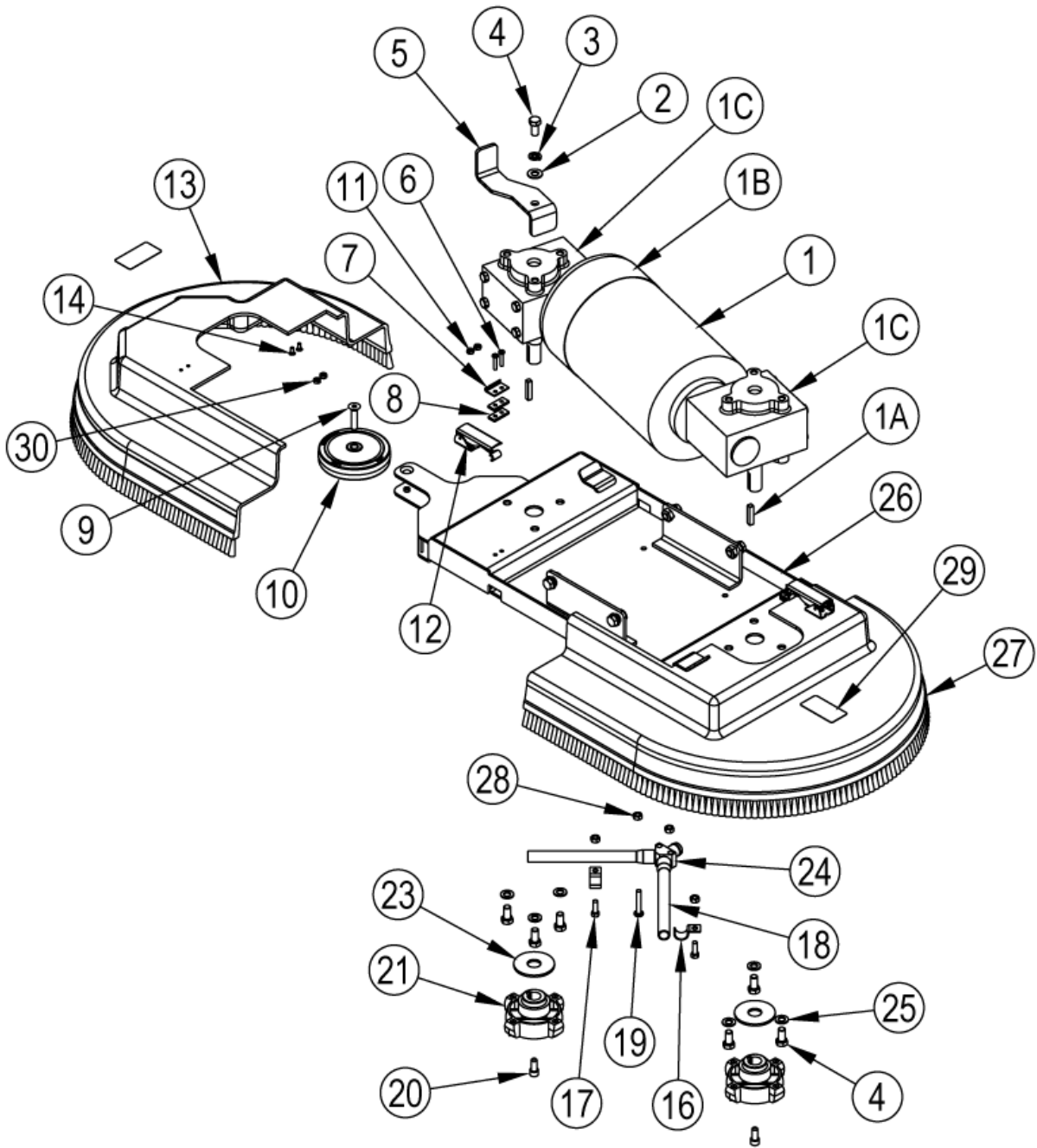


Resource notes:
NI= Not Illustrated

| Pos. | Artikel-Nr. | Menge | Variante | Notes |
|------|-------------|-------|-------------------------------|-------|
| 01 | 40904B | 1 | MOTOR 28 RA BRUSH W/ LEADS | [1] |
| 01A | 65305A | 2 | Dorn für Umlenkrolle 8 IN | |
| 01B | 56407500 | 1 | Bürstenkit (Satz) | |
| 01C | 41048A | 2 | Getriebe R586 | |
| 02 | 962244 | 12 | Bolzen 3/8 16 X HHCS | [2] |
| 03 | 170883 | 2 | Scheibe LK 3/8 | |
| 04 | 980645 | 2 | Scheibe 3/8 | [3] |
| 05 | 61497A | 1 | Aufnahmeplatte s. Sauglei | |
| 05 | 61722A | 1 | PLATE 28 HD. SEC. SQ. STOP | [1] |
| 06 | 85613A | 4 | SCREW8-32X7/8 PAN HD | |
| 07 | 55451A | 2 | Bürstenhalter, Gehäuse | |
| 08 | 61570A | 2 | DISTANZPLATTE | [4] |
| 09 | 962803 | 1 | SCR 5/16-18X1&1/2 SF ST RECES | [4] |
| 10 | 53838A | 1 | WHEEL GUIDE 4.00 | [5] |
| 11 | 56009148 | 4 | NUT, HEX MACHINE 8-32 | |
| 12 | 56115427 | 2 | LATCH ASSEMBLY | |
| 13 | 30535A | 1 | Bürste HSG 28 RH | |
| 14 | 962030 | 4 | Schraube 8 32X 3/8 | |
| 16 | 2-00-02310 | 10 | Sicherungsring | |
| 17 | 59856A | 2 | Flachscheibe Gummi, | |
| 18 | 61658A | 2 | Druckring Antrieb | [6] |
| 19 | 962714 | 2 | Schraube 5/16-18X 3/4 | |
| 20 | 56382665 | 2 | Kardanring | |
| 21 | 962989 | 2 | Schraube 1/4 -20X1&1/2 | |
| 22 | 34705A | 2 | Schlauch, Bürste | |
| 23 | 170915 | 2 | Sechskantschraube | |
| 24 | 782002 | 2 | Klemme-Anschlussstück | |
| 25 | 38014A | 1 | Verteiler, Frischwasser | |
| 26 | 61546B | 1 | BRUSH BASE 28 LOW PROF | [1] |
| 27 | 30536A | 1 | Bürste HSG 28 LH | |
| 28 | 81104A | 4 | Mutter 1/2-20, | |
| 29 | 71017A | 1 | Aufkleber | |
| 30 | 81109A | 4 | Sechskant-Sicherungs- | |
| NI | 30535A | 1 | Bürste HSG 28 RH | |
| NI | 30536A | 1 | Bürste HSG 28 LH | |

Part Notes:

- [1] - SEE PI 2017-002
- [2] - EXPIRED USE 56002127
- [3] - EXPIRED USE 56002063
- [4] - NO LONGER AVAILABLE
- [5] - EXPIRED ON 06/17/2021
- [6] - TSB-FC-2015-040 Replacement Parts
SEE TSB-FC-2015-040

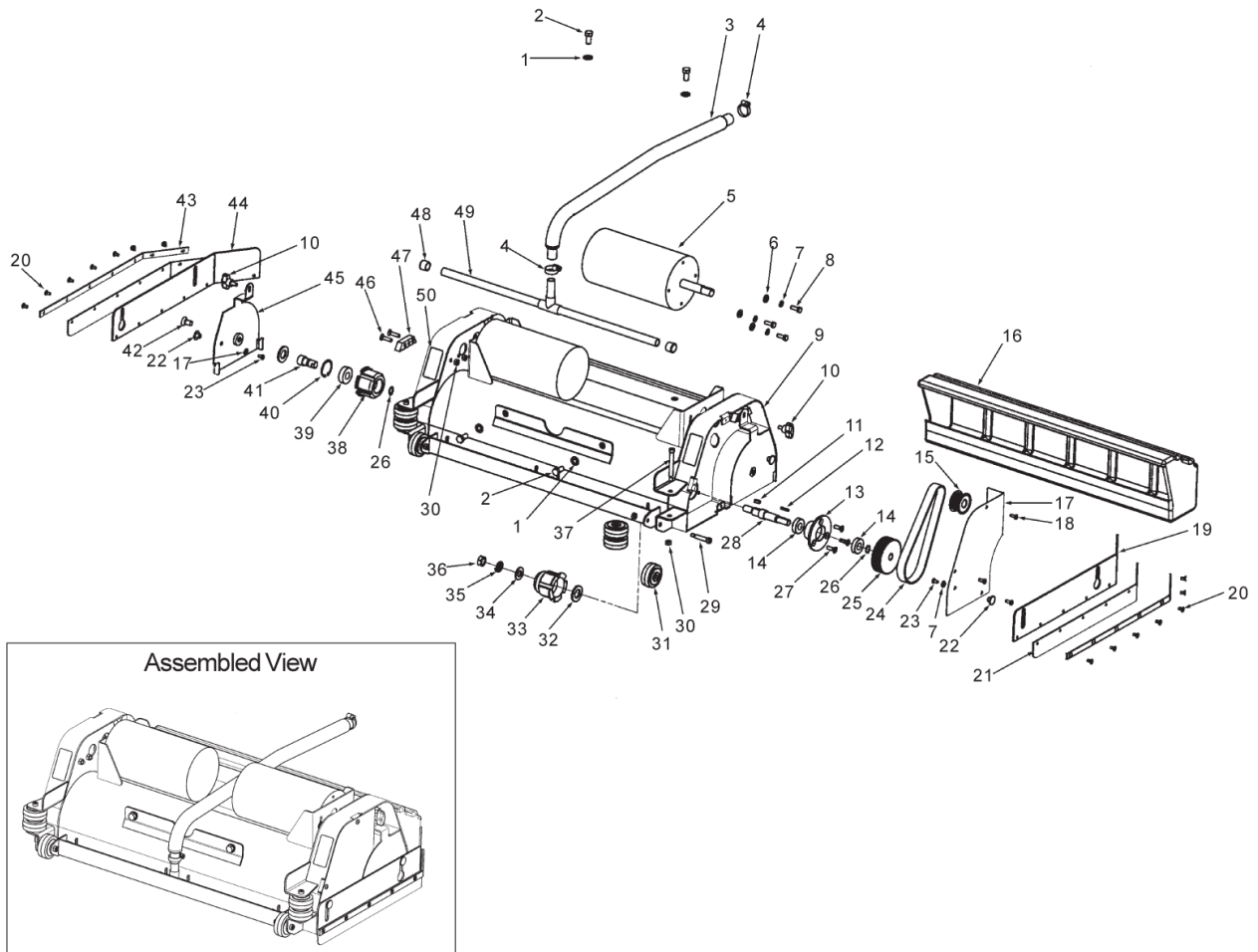


Resource notes:
NI= Not Illustrated

| Pos. | Artikel-Nr. | Menge | Variante | Notes |
|------|-------------|-------|-------------------------------|-------|
| 01 | 40905B | 1 | Motor | |
| 01A | 65305A | 2 | Dorn für Umlenkrolle 8 IN | |
| 01B | 56407500 | 1 | Bürstenkit (Satz) | |
| 01C | 41048A | 2 | Getriebe R586 | |
| 02 | 980645 | 2 | Scheibe 3/8 | [1] |
| 03 | 170883 | 2 | Scheibe LK 3/8 | |
| 04 | 962244 | 11 | Bolzen 3/8 16 X HHCS | [2] |
| 05 | 61497A | 1 | Aufnahmeplatte s. Sauglei | |
| 05 | 61723A | 1 | PLATE 34 HD. SEC. SQ. STOP | [3] |
| 06 | 85613A | 4 | SCREW8-32X7/8 PAN HD | |
| 07 | 55451A | 2 | Bürstenhalter, Gehäuse | |
| 08 | 61570A | 2 | DISTANZPLATTE | [3] |
| 09 | 962803 | 1 | SCR 5/16-18X1&1/2 SF ST RECES | [3] |
| 10 | 53838A | 1 | WHEEL GUIDE 4.00 | [4] |
| 11 | 56009148 | 4 | NUT, HEX MACHINE 8-32 | |
| 12 | 56115427 | 2 | LATCH ASSEMBLY | |
| 13 | 30537A | 1 | Abdeckung Bürste rechts | |
| 14 | 962030 | 4 | Schraube 8 32X 3/8 | |
| 16 | 782002 | 2 | Klemme-Anschlussstück | |
| 17 | 170915 | 2 | Sechskantschraube | |
| 18 | 30210A | 1 | Schlauch klar | [3] |
| 19 | 962989 | 2 | Schraube 1/4 -20X1&1/2 | |
| 20 | 962714 | 2 | Schraube 5/16-18X 3/4 | |
| 21 | 56382665 | 2 | Kardanring | |
| 22 | 61658A | 2 | Druckring Antrieb | [5] |
| 23 | 59856A | 2 | Flachscheibe Gummi, | |
| 24 | 38014A | 1 | Verteiler, Frischwasser | |
| 25 | 2-00-02310 | 10 | Sicherungsring | |
| 26 | 61547B | 1 | BRUSH BASE 34 LOW PROF | |
| 27 | 30538A | 1 | Abdeckung Bürste links | |
| 28 | 81104A | 4 | Mutter 1/2-20, | |
| 29 | 71017A | 1 | Aufkleber | |
| 30 | 81109A | 4 | Sechskant-Sicherungs- | |
| NI | 30537A | 1 | Abdeckung Bürste rechts | |
| NI | 30538A | 1 | Abdeckung Bürste links | |

Part Notes:

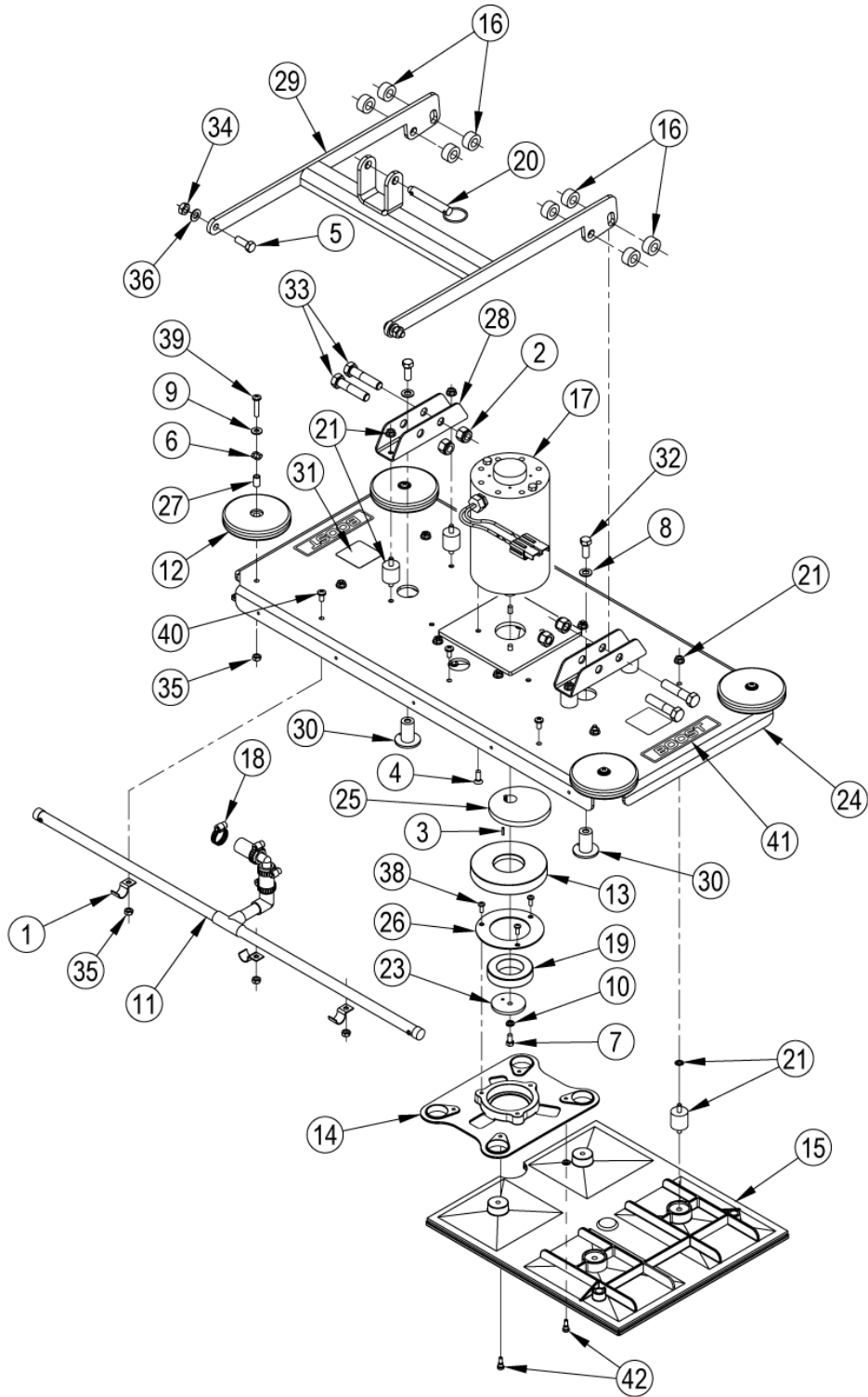
- [1] - EXPIRED USE 56002063
- [2] - EXPIRED USE 56002127
- [3] - NO LONGER AVAILABLE
- [4] - EXPIRED ON 06/17/2021
- [5] - TSB-FC-2015-040 Replacement Parts
SEE TSB-FC-2015-040



| Pos. | Artikel-Nr. | Menge | Variante | Notes |
|------|-------------|-------|---------------------------|-------|
| 01 | 2-00-02310 | 4 | Sicherungsring | |
| 02 | 962244 | 4 | Bolzen 3/8 16 X HHCS | [1] |
| 03 | 30649A | 1 | HOSE SOLUTION CYL | |
| 04 | 50248A | 2 | Schlauchschelle 3/8 | |
| 05 | 40772A | 2 | Bürstmotor, Walzenbürste | |
| 06 | 56002098 | 6 | Scheibe | |
| 07 | 980657 | 9 | Scheibe 1/4 STD | |
| 08 | 85806A | 6 | Schraube | |
| 09 | 61738A | 1 | Bürstengehäuse CYL | [2] |
| 10 | 52477A | 2 | Flügelschraube | |
| 11 | 80248A | 2 | Vierkantschlüssel 3/16 | |
| 12 | 80247A | 2 | Vierkantschlüssel 1/8 Zol | |
| 13 | 61308A | 2 | Lagerträger | |
| 14 | 51226A | 4 | Kugellager 6002 | |
| 15 | 61318A | 2 | Riemenscheibe, Motor | |
| 16 | 30618A | 1 | Kehrgutbehälter | [3] |
| 17 | 61743A | 2 | Schutz für Riemenantrieb | |
| 18 | 84237A | 6 | Flachkopfschraube | |
| 19 | 61752A | 1 | Platte f. Rahmen, links | |
| 20 | 80240A | 14 | Schraube 32 X 3/8 | |
| 21 | 30312A | 2 | Seitenschürze | |
| 22 | 61336A | 4 | Distanzstück | |
| 23 | 962094 | 3 | Schraube 1/4 20x 3/8 RD | |
| 24 | 53661A | 2 | Antriebsriemen | |
| 25 | 61319A | 2 | Riemenscheibe Bürsten- | |
| 26 | 467308 | 4 | Sicherungsring | |
| 27 | 962098 | 6 | Schraube 1/4-20 X 3/4 | |
| 28 | 61309A | 2 | Antriebswelle | |
| 29 | 80270A | 2 | Schraube 5/16 x 1,25 | |
| 30 | 81104A | 8 | Mutter 1/2-20, | |
| 31 | 30049B | 6 | Rolle Achs-8 | |
| 32 | 80257A | 4 | Scheibe 3/4 ID Neopren | |
| 33 | 61293A | 2 | Aufnahme Walze | |
| 34 | 56001879 | 2 | U-SCHEIBEN | |
| 35 | 980626 | 2 | Sicherungsscheibe, | |
| 36 | 170857 | 2 | Sechskantmutter 1/2-13 | |
| 37 | 60254A | 2 | Schraube m. Ansatz 3/8 X | |
| 38 | 61299A | 2 | Aufnahme Walze | |
| 39 | 56106070 | 2 | BEARING BALL Z22 | |
| 40 | 167312 | 2 | Sicherungsring | |
| 41 | 61310A | 2 | Antriebswelle | |
| 42 | 962973 | 2 | Schraube 3/8 -16X 3/4 | |
| 43 | 61335A | 2 | Schürzenhalter | |
| 44 | 61751A | 1 | Platte f. Rahmen, rechts | |
| 45 | 61742A | 1 | Klappe für Bürste | [2] |
| 46 | 962285 | 4 | Schraube 1/4 20x 1FH | |
| 47 | 61322A | 2 | Klappenhalterung | [4] |
| 48 | 53182A | 2 | Endkappe für Verteiler- | |
| 49 | 30648A | 1 | Rohr, Frischwasserzufuhr | |
| 50 | 71017A | 1 | Aufkleber | |

Part Notes:

- [1] - EXPIRED USE 56002127
- [2] - GUARANTEE DATE EXPIRED
- [3] - EXPIRED ON 07/30/2020
- [4] - SEE PI 2017-002



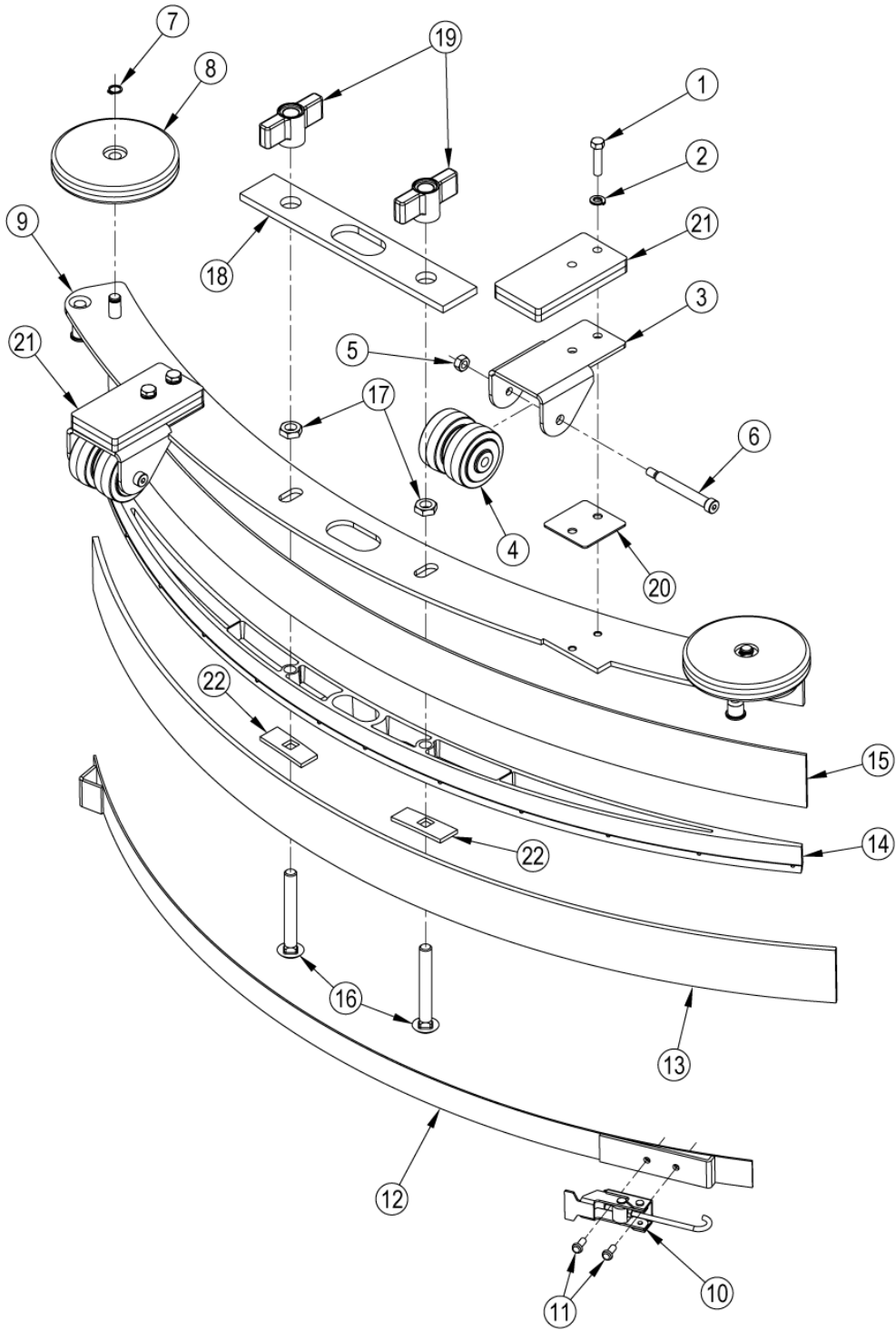
Resource notes:

NOTE 1: Customers ordering parts for machines built before April 2010 need to order 32" Flex Plate Kit 56380211 to replace any or all of these items for repair. NOTE 2: To replace Bearing Shield or Eccentric order 56380246 (Kit Eccentric & Shield).

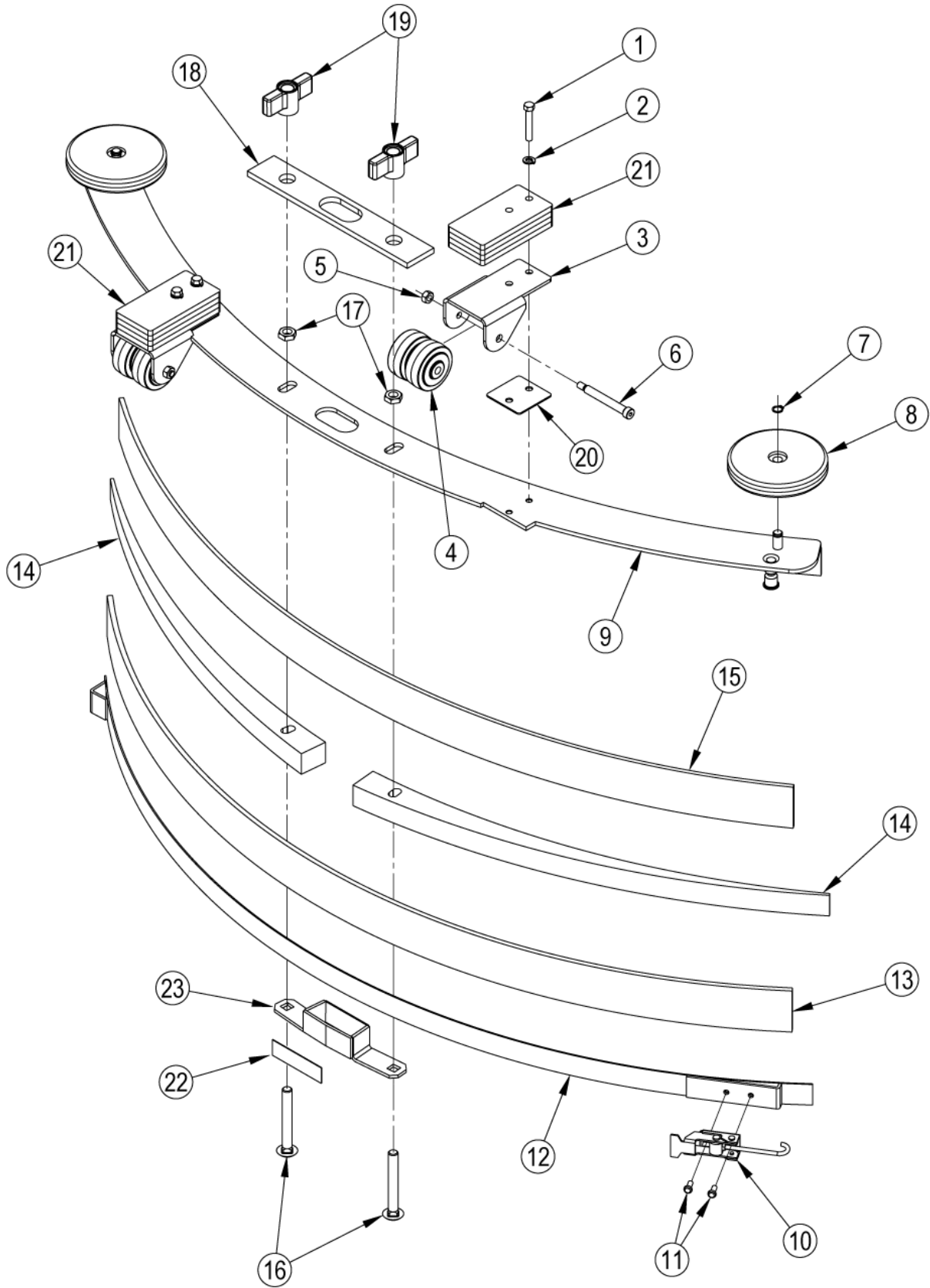
| Pos. | Artikel-Nr. | Menge | Variante | Notes |
|------|-------------|-------|--------------------------------|-------|
| 01 | 782002 | 3 | Klemme-Anschlussstück | |
| 02 | 920365 | 4 | Sicherungsmutter | |
| 03 | 925589 | 1 | PIN 1/8 X 1/2 | |
| 04 | 56001881 | 4 | SCR FLT HD SOC 1/4-20X.75 | [1] |
| 05 | 962288 | 2 | SCREW 3/8-16 X 1.0 HX ST CAP | |
| 06 | 980022 | 4 | Federscheibe | |
| 07 | 85737A | 8 | Schraube 1/4-20 X 5/8 HEX | |
| 08 | 2-00-02310 | 2 | Sicherungsring | |
| 09 | 56002098 | 4 | Scheibe | |
| 10 | 980657 | 1 | Scheibe 1/4 STD | |
| 11 | 11002A | 1 | TUBE ASM. 32 DRIP | |
| 12 | 30048A | 4 | Rolle 100 x 10-Nabe | |
| 13 | 56380192 | 1 | Lagerschild | [2] |
| 14 | 56381491 | 1 | PLATE DRIVER | |
| 14 | 30663A | 1 | Halteplatte für | [3] |
| 15 | 56383370 | 2 | KIT-FLEXPLATE-BOOST 32 HD | [1] |
| 16 | 30735A | 8 | SPACER LIFT BRACKET | |
| 17 | 56390072 | 1 | Motor 24V | |
| 18 | 50248A | 1 | Schlauchschelle 3/8 | |
| 19 | 50736A | 1 | Lager | |
| 20 | 53493A | 1 | Vierkantstift 2-1/2 | |
| 21 | 56382991 | 1 | KIT-ISOLATOR BOOST HD | [1] |
| 22 | 56381989 | 4 | BOLT-SHOULDER | [1] |
| 23 | 61724A | 1 | Aufnahme Exzenter | |
| 24 | 56381721 | 1 | PLATE WELDT BOOST 32 | [4] |
| 25 | 61753B | 1 | ECCENTRIC BOOST | [5] |
| 26 | 61775A | 1 | Lagerhalterung | |
| 27 | 61782A | 4 | SLEEVE GUIDE WHEEL | |
| 28 | 61816B | 2 | BRACKET LIFT | [6] |
| 29 | 61818A | 1 | ARM HEAD LIFT | |
| 30 | 56381532 | 1 | STUD STABILIZER SHORT | [7] |
| 31 | 71192A | 2 | LABEL NO STEP | |
| 32 | 80103A | 2 | SCREW 3/8-24 X 1 HEX HEAD | |
| 33 | 80330A | 4 | SCREW 1/2-13 X 2 1/4 | |
| 34 | 81105A | 2 | Mutter 3/8-16, | |
| 35 | 56002840 | 5 | Nut 1/4 20 | |
| 36 | 87618A | 2 | Flachscheibe .75X.39X.62 | |
| 37 | 56003825 | 4 | SCR-BUTTON SOC SS LOC 10-32X.6 | [1] |
| 38 | 84237A | 3 | Flachkopfschraube | |
| 39 | 56002958 | 4 | Schraube | |
| 40 | 85395A | 3 | SCREW 1/4 20 X 1/2 PAN HD SS | |
| 41 | 56381702 | 2 | LABEL BOOST | |
| 42 | 56381989 | 1 | BOLT-SHOULDER | |

Part Notes:

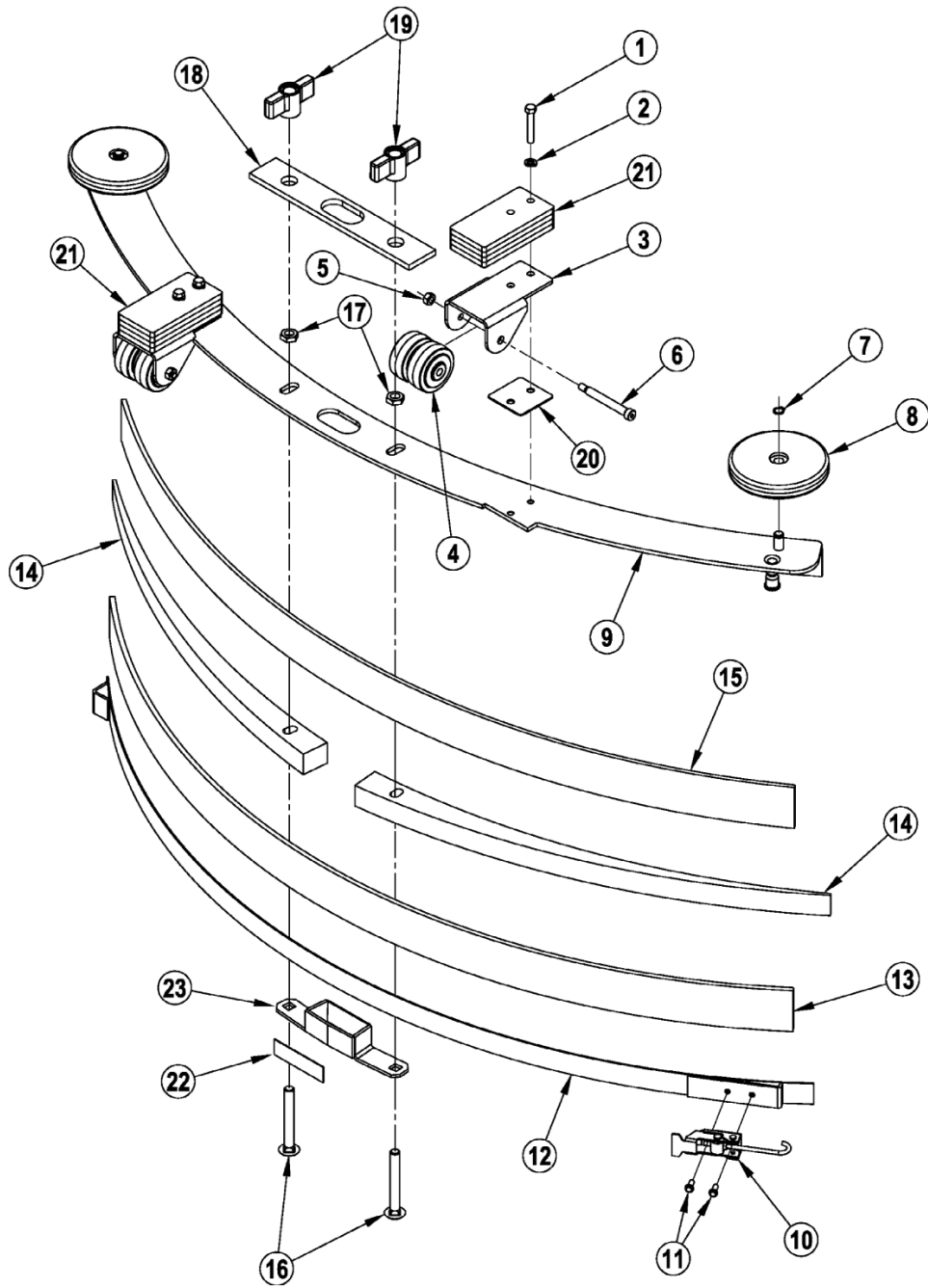
- [1] - NOTE 1 - TSBCL2010-12
- [2] - NOTE 1 - TSBCL2010-12 - NOTE 2
TSB-CL2010-12
- [3] - EXPIRED USE 56381491
- [4] - GUARANTEE DATE EXPIRED
- [5] - NOTE 2
SEE TSB- CL2010-12
- [6] - SEE PI 2017-002
- [7] - TSB-CL 2011-0010 BOOST deck noise



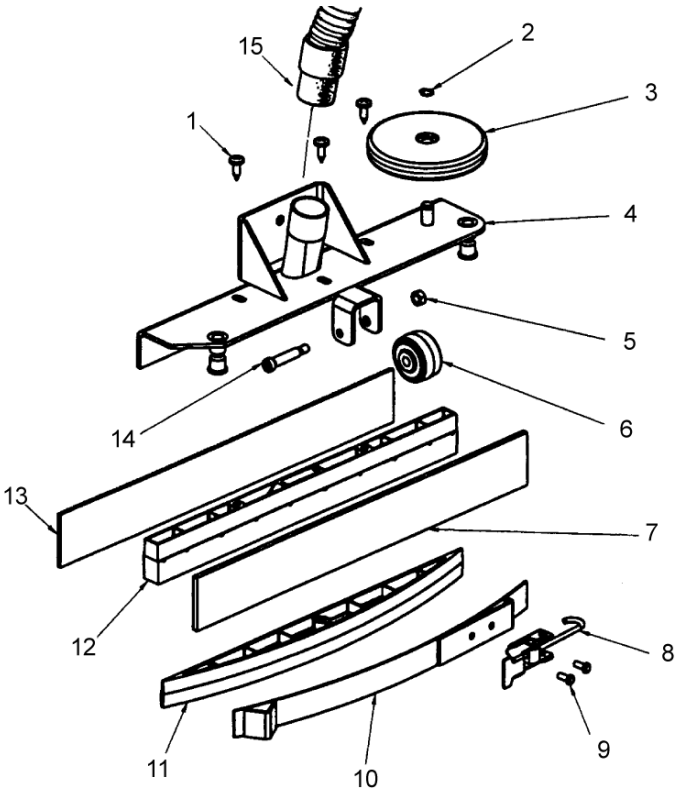
| Pos. | Artikel-Nr. | Menge | Variante | Notes |
|------|-------------|-------|----------------------------------|-------|
| 01 | 80252A | 4 | Schraube 1/4-20 X 1 HH SS | |
| 02 | 980657 | 4 | Scheibe 1/4 STD | |
| 03 | 60243A | 2 | Rahmen für Saugleisten-Ve | |
| 04 | 30049B | 4 | Rolle Achs-8 | |
| 05 | 81104A | 2 | Mutter 1/2-20, | |
| 06 | 60254A | 2 | Schraube m. Ansatz 3/8 X | |
| 07 | 53185A | 2 | Haltering 3/8 ID | |
| 08 | 30048A | 2 | Rolle 100 x 10-Nabe | |
| 09 | 60234B | 1 | Kanal Saugleiste 32 | |
| 10 | 50835A | 1 | Verschlussklammer f.Saugl | |
| 11 | 930086 | 2 | Niet 3/16X.450 lang | |
| 12 | 60232A | 1 | Rohr, Sauglippe, | |
| 13 | 30556L | 1 | Sauglippe hinten Gummi rot 35.12 | |
| 14 | 30047A | 1 | Distanzleiste für Sauglei | |
| 15 | 30764L1 | 1 | Sauglippe innen, gekerbt, | |
| 16 | 80011A | 2 | Schraube 3/8 -16X3 CR SS | |
| 17 | 81301A | 2 | Selbsthemmende | |
| 18 | 34260B | 1 | Dichtung flach an Sauglei | |
| 19 | 25201B | 2 | Drehknopf, Saugfuß | |
| 20 | 60358A | 2 | Bremsbelag | |
| 21 | 61370A | 4 | Gewicht für Saugfuß | |
| 22 | 80280A | 2 | Mutter, Sauglippe, | |



| Pos. | Artikel-Nr. | Menge | Variante | Notes |
|------|-------------|-------|---------------------------|-------|
| 01 | 56002901 | 4 | SCHRAUBE 1/4-20X 1-1/2SS | |
| 02 | 980657 | 4 | Scheibe 1/4 STD | |
| 03 | 60243A | 2 | Rahmen für Saugleisten-Ve | |
| 04 | 30049B | 4 | Rolle Achs-8 | |
| 05 | 81104A | 2 | Mutter 1/2-20, | |
| 06 | 60254A | 2 | Schraube m. Ansatz 3/8 X | |
| 07 | 53185A | 2 | Haltering 3/8 ID | |
| 08 | 30048A | 2 | Rolle 100 x 10-Nabe | |
| 09 | 60272B | 1 | Saugfussleiste Encore | |
| 10 | 50835A | 1 | Verschlussklammer f.Saugl | |
| 11 | 930086 | 2 | Niet 3/16X.450 lang | |
| 12 | 60252A | 1 | Klemmband f.Sauglippe EN | |
| 13 | 30774L | 1 | Sauglippe hinten, außen | |
| 14 | 30058A | 1 | Distanzleiste f.Saugleist | |
| 15 | 30773L2 | 1 | Sauglippe, innen | |
| 16 | 80011A | 2 | Schraube 3/8 -16X3 CR SS | |
| 17 | 81301A | 2 | Selbsthemmende | |
| 18 | 34260B | 1 | Dichtung flach an Sauglei | |
| 19 | 25201B | 2 | Drehknopf, Saugfuß | |
| 20 | 60358A | 2 | Bremsbelag | |
| 21 | 61370A | 8 | Gewicht für Saugfuß | |
| 22 | 80280A | 2 | Mutter, Sauglippe, | |



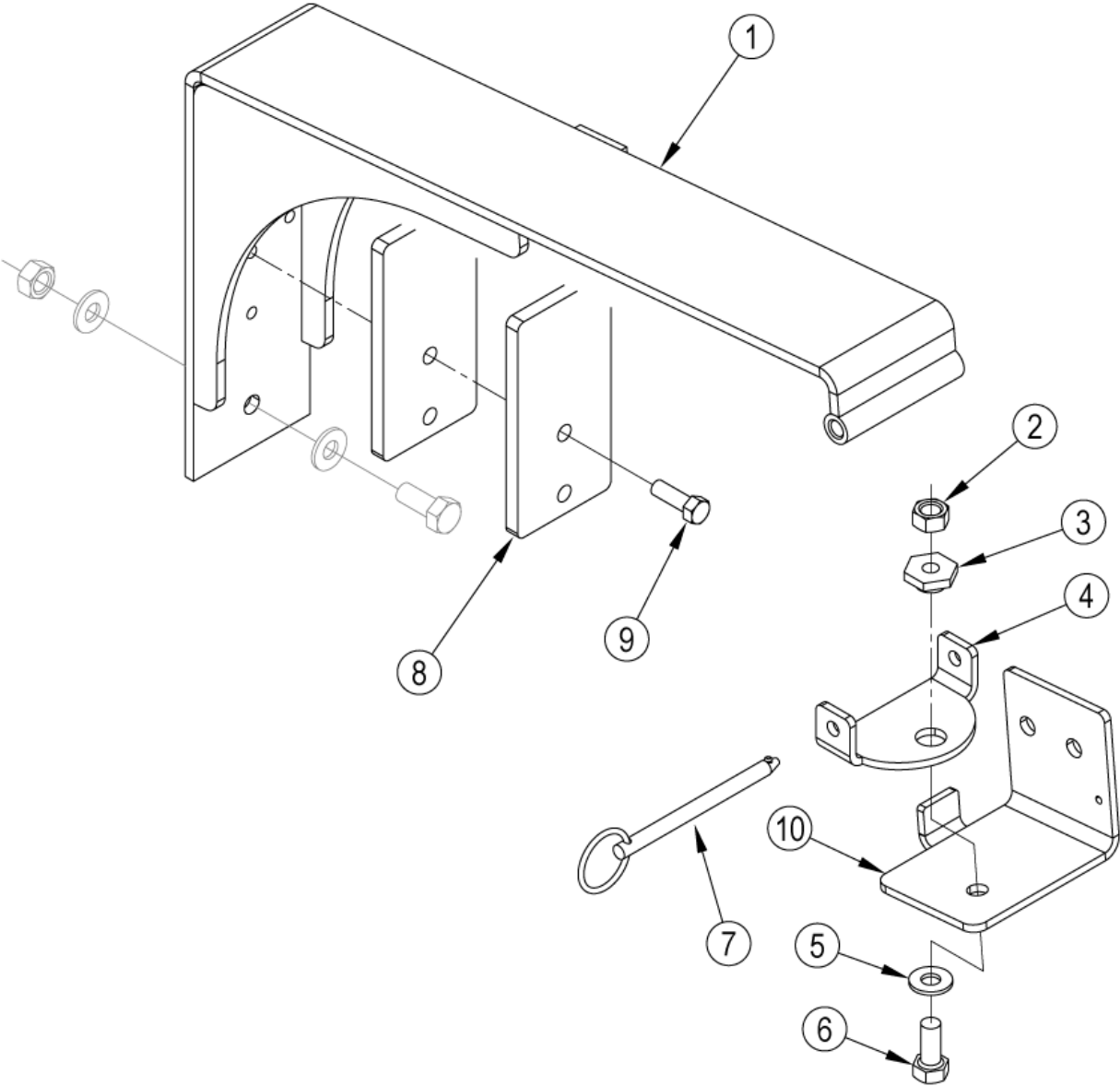
| Pos. | Artikel-Nr. | Menge | Variante | Notes |
|------|-------------|-------|---------------------------|-------|
| 01 | 56002901 | 4 | SCHRAUBE 1/4-20X 1-1/2SS | |
| 02 | 980657 | 4 | Scheibe 1/4 STD | |
| 03 | 60243A | 2 | Rahmen für Saugleisten-Ve | |
| 04 | 30049B | 4 | Rolle Achs-8 | |
| 05 | 81104A | 2 | Mutter 1/2-20, | |
| 06 | 60254A | 2 | Schraube m. Ansatz 3/8 X | |
| 07 | 53185A | 2 | Haltering 3/8 ID | |
| 08 | 30048A | 2 | Rolle 100 x 10-Nabe | |
| 09 | 61886A | 1 | SQUEEGEE WLDMT 41 | |
| 10 | 50835A | 1 | Verschlussklammer f.Saugl | |
| 11 | 930086 | 2 | Niet 3/16X.450 lang | |
| 12 | 61885A | 1 | Saugfuss Halteschiene | |
| 13 | 30774L | 1 | Sauglippe hinten, außen | |
| 14 | 38726A | 2 | Distanzstück Sauglippe | |
| 15 | 30773L2 | 1 | Sauglippe, innen | |
| 16 | 80011A | 2 | Schraube 3/8 -16X3 CR SS | |
| 17 | 81301A | 2 | Selbsthemmende | |
| 18 | 34260B | 1 | Dichtung flach an Sauglei | |
| 19 | 25201B | 2 | Drehknopf, Saugfuß | |
| 20 | 60358A | 2 | Bremsbelag | |
| 21 | 61370A | 8 | Gewicht für Saugfuß | |
| 22 | 37016A | 1 | Pad, Sauglippengriff | |
| 23 | 62712A | 1 | Kanal, Sauglippe Eintritt | |



| Pos. | Artikel-Nr. | Menge | Variante | Notes |
|------|-------------|-------|---------------------------------------|-------|
| 01 | 80275A | 3 | SCREW 1/4 X 3/4 TYPE | |
| 02 | 53185A | 1 | Haltering 3/8 ID | |
| 03 | 30048A | 1 | Rolle 100 x 10-Nabe | |
| 04 | 61496A | 1 | SAUGFUSS VORNE | [1] |
| 05 | 81104A | 1 | Mutter 1/2-20, | |
| 06 | 59932A | 1 | Vorderrad, 2000 PV | |
| 07 | 30540L | 1 | Sauglippe seidl. Saugfuß, aussen | |
| 08 | 50835A | 1 | Verschlussklammer f.Saugl | |
| 09 | 930086 | 2 | Niet 3/16X.450 lang | |
| 10 | 61495A | 1 | CLAMP FRONT SQ BLADE | [2] |
| 11 | 53444A | 1 | Keil, vorderer Saugfuss | |
| 12 | 53443A | 1 | Distanzstück Vorderseite | |
| 13 | 30541A | 1 | Sauglippe seidl. Saugfuß, vorne, 15,5 | |
| 14 | 80270A | 1 | Schraube 5/16 x 1,25 | |
| 15 | 30569A | 1 | Schlauch 1-1/4 X 46 | |

Part Notes:

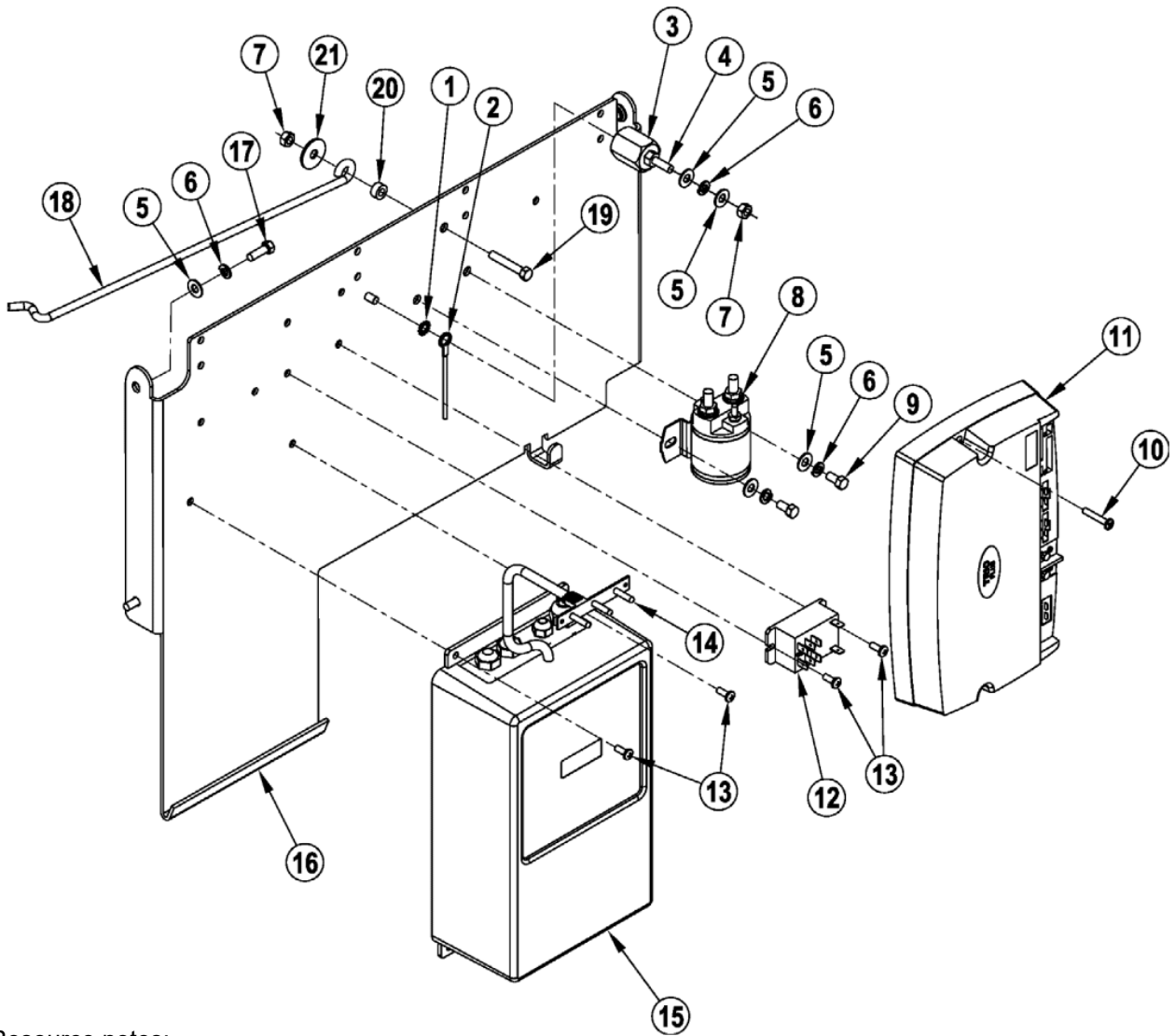
- [1] - NO LONGER AVAILABLE
 [2] - SEE PI 2017-002



| Pos. | Artikel-Nr. | Menge | Variante | Notes |
|------|-------------|-------|--------------------------|-------|
| 01 | 61548A | 1 | Arm zweite Sauglippe | |
| 02 | 81112A | 2 | Mutter 5/16-18 dünn | |
| 03 | 67867A | 1 | Distanzstück, Sauglippe | |
| 04 | 60256A | 1 | Halterung, Zapfen | [1] |
| 05 | 56001939 | 3 | Flachdichtung 5/16 | |
| 06 | 56002667 | 2 | Schraube 5/16-18 X.75 | |
| 07 | 53491A | 1 | Haltestift | |
| 08 | 61370A | 2 | Gewicht für Saugfuß | |
| 09 | 170915 | 2 | Sechskantschraube | [2] |
| 10 | 61572A | 1 | Halterung vorn Sauglippe | |

Part Notes:

- [1] - EXPIRED ON 01/23/2020
- [2] - SS



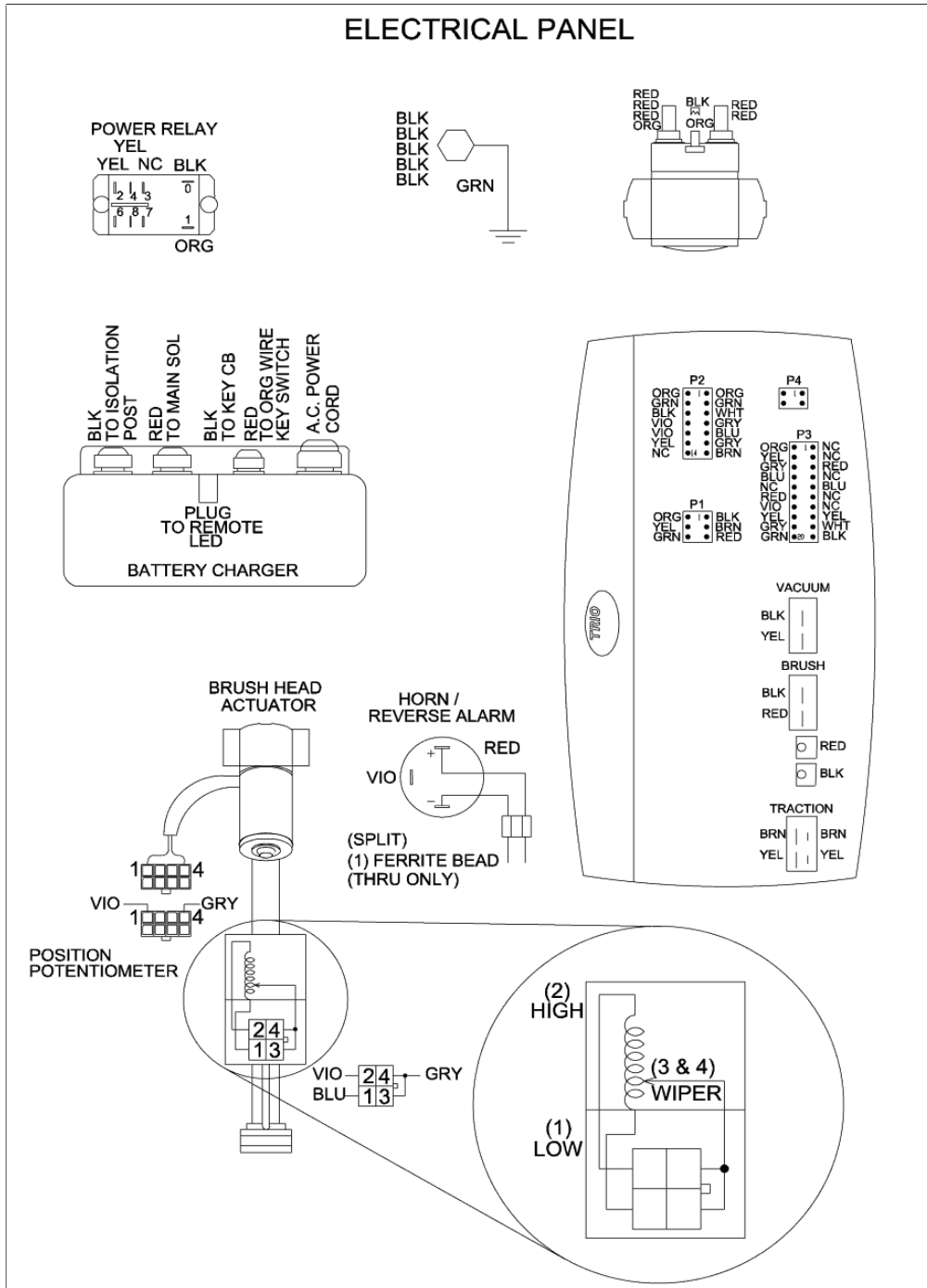
Resource notes:

NOTE 1: Main Controller 53791A has been replaced by 56381788. When installing 56381788 in place of 53791A you will also need to order Main Controller Kit 56381791. NOTE 2: Main Controller 53792A has been replaced by 56381787. When installing 56381787 in place of 53792A you will also need to order Main Controller Kit 56381791. NOTE 3: Main Controller 53790B has been replaced by 56381789. When installing 56381789 in place of 53790B you will also need to order Main Controller Kit 56381791.

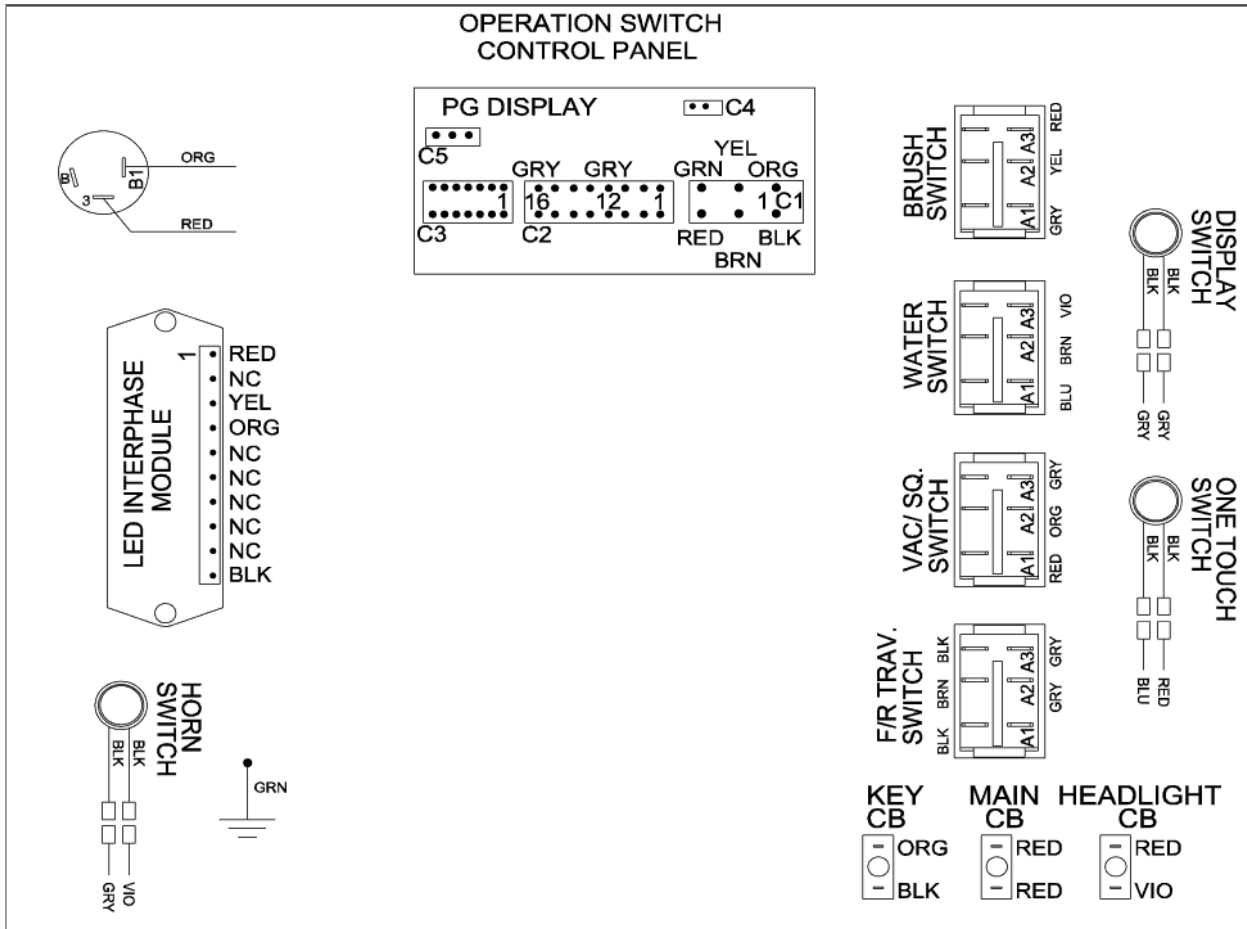
| Pos. | Artikel-Nr. | Menge | Variante | Notes |
|------|-------------|-------|----------------------------------|-------|
| 00 | 40882A | 1 | CABLE 200 AMP FUSIBLE | [1] |
| 00 | 71015A | 1 | LABEL GASES & CHEMICALS | [2] |
| 00 | 40896A | 1 | CABLE 32 NEG BATTERY | [1] |
| 00 | 41217A | 1 | CABLE BATTERY KIT 14662B | [2] |
| 00 | 40934A | 1 | Kabelstrang | [3] |
| 00 | 40895A | 1 | CABLE 24 POS BATTERY | [2] |
| 01 | 980614 | 1 | U-Scheibe | |
| 02 | 40965A | 1 | HARNES MAIN POWER CYL MAN STR | [4] |
| 02 | 40932B | 1 | Kabelbaum, Haupt- | [5] |
| 03 | 854849 | 1 | Isolator RO-42/32IX/26IX | |
| 04 | 83302a | 1 | Bolzen 1/4-20 | |
| 05 | 87026A | 8 | Scheibe .250 | [6] |
| 06 | 980657 | 7 | Scheibe 1/4 STD | |
| 07 | 81104A | 2 | Mutter 1/2-20, | |
| 08 | 41801A | 1 | Schütz 36V | |
| 09 | 962430 | 2 | SCHRAUBE 1/4-20 X 1/2 HX ST MACH | |
| 10 | 56009334 | 1 | SCR PAN PHIL 10-32 X 1.12 | |
| 11 | 56381787 | 1 | Hauptcontroller TRIOHD | [7] |
| 11 | 56381789 | 1 | CONTROLLER-MAIN TRIO+HD | [8] |
| 11 | 56381788 | 1 | Controller | [9] |
| 12 | 40892A | 1 | Zweipoliges Umschalt- | |
| 13 | 962929 | 4 | PHILLIPS PAN MACHINE SCREW | [10] |
| 14 | 40853A | 1 | Platine Fern-LED | |
| 15 | 40797A | 1 | LADEGERÄT 36V CE 230V | [11] |
| 16 | 61558A | 1 | PANEL ELECTRICAL | [10] |
| 17 | 962086 | 4 | SCR 1/4 -20X 3/4 HX ST CAP | |
| 18 | 61876B | 1 | ROD SEAT PROP | |
| 19 | 86004A | 1 | Klemmschraube 1/4 | |
| 20 | 30542A | 1 | Abstandshalter | [12] |
| 21 | 980205 | 1 | Scheibe | |

Part Notes:

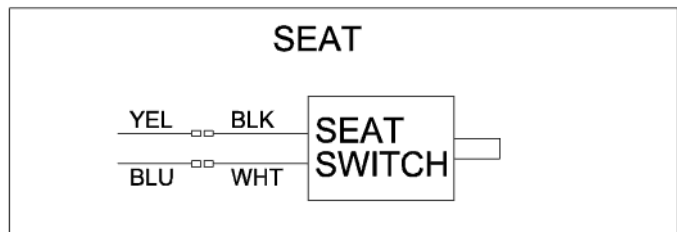
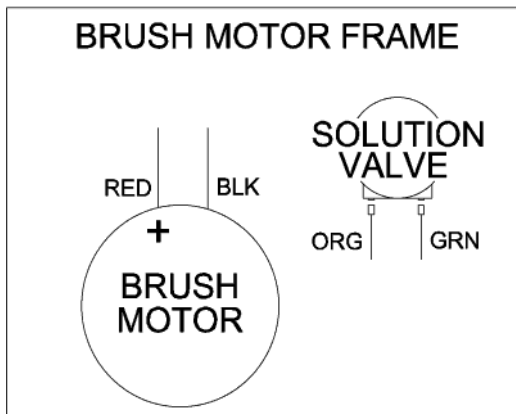
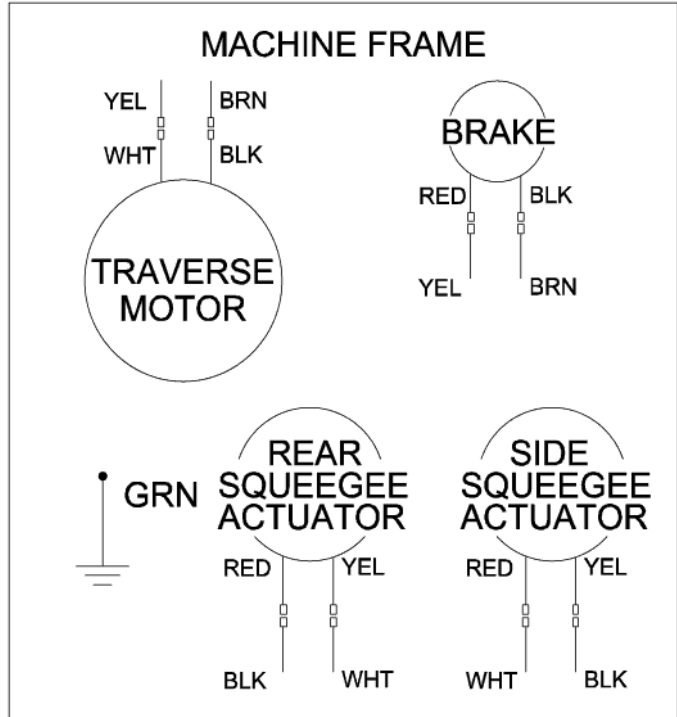
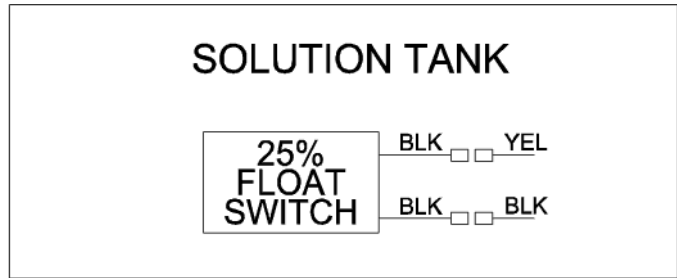
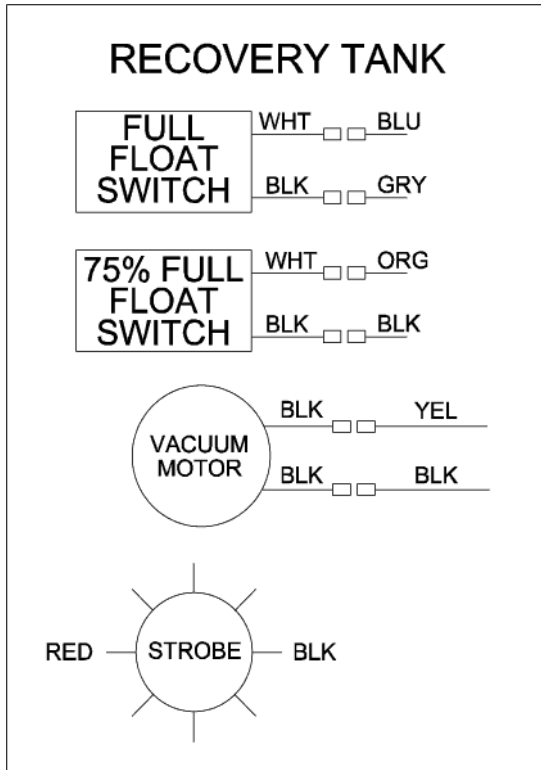
- [1] - NOT SHOWN
SEE PI 2017-002
- [2] - NOT SHOWN
- [3] - NOT SHOWN
EXPIRED NO REPLACEMENT
- [4] - CYL. ONLY
- [5] - Manual steering
- [6] - EXPIRED USE 56002859
- [7] - R 586 - NOTE 2
- [8] - R 81 - NOTE 3
- [9] - R 571 - NOTE 1
- [10] - NO LONGER AVAILABLE
- [11] - EXPIRED ON 6/09/2021
- [12] - SEE PI 2017-002



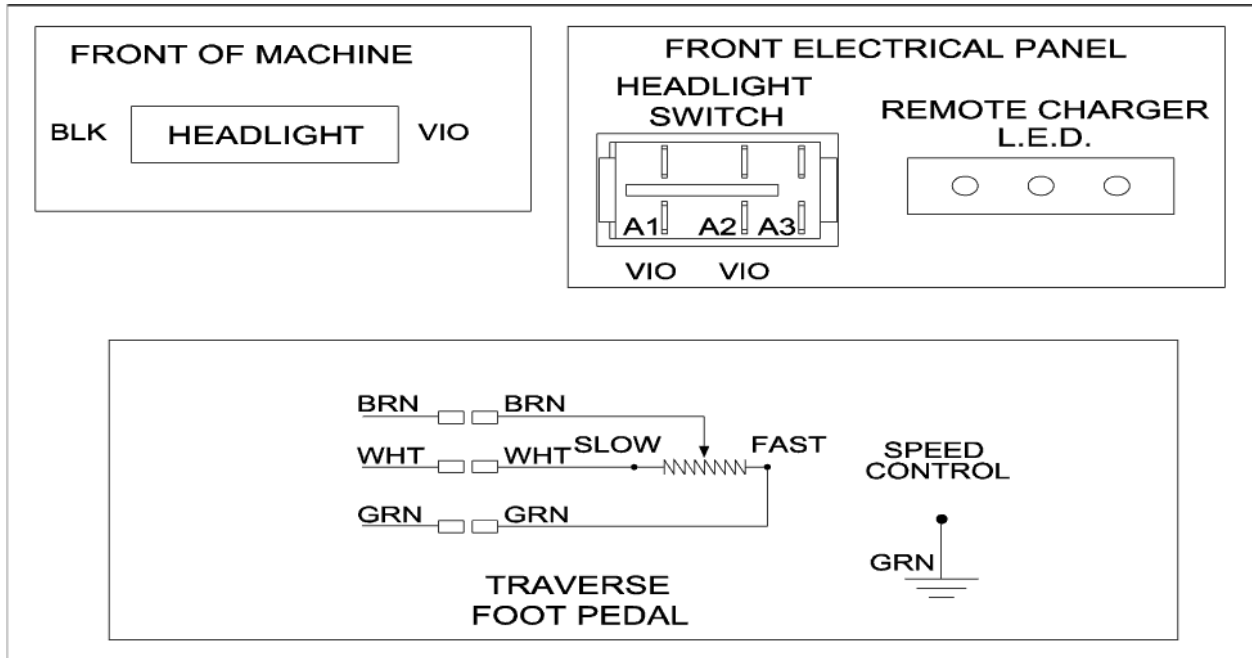
| Pos. | Artikel-Nr. | Menge | Variante | Notes |
|------|-------------|-------|----------|-------|
|------|-------------|-------|----------|-------|



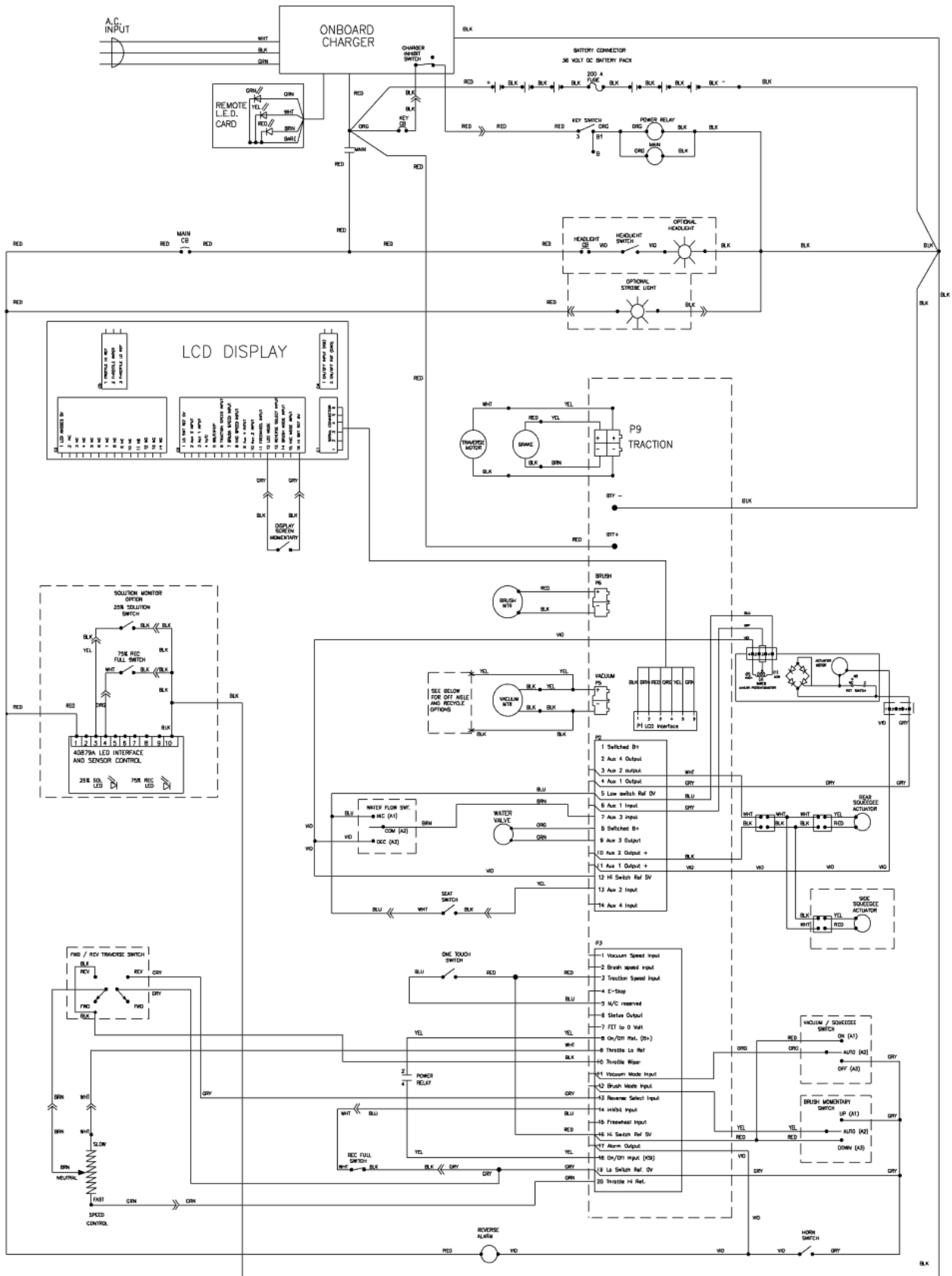
| Pos. | Artikel-Nr. | Menge | Variante | Notes |
|------|-------------|-------|----------|-------|
|------|-------------|-------|----------|-------|



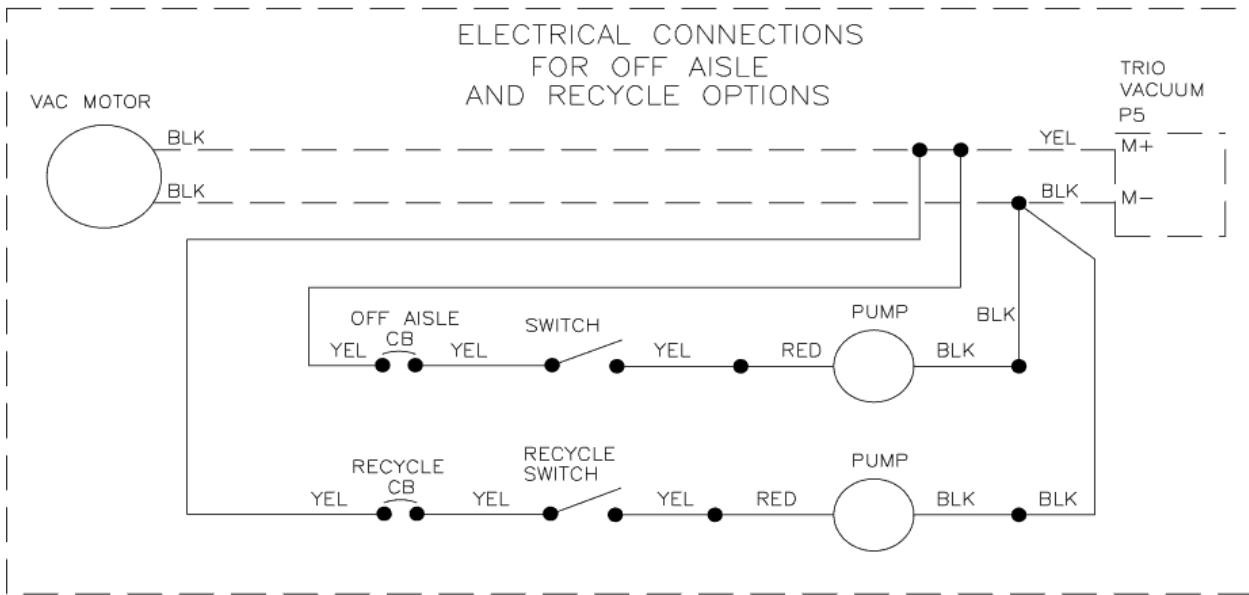
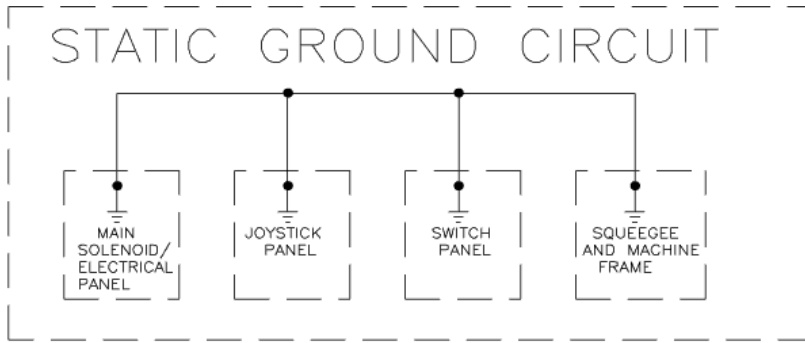
| Pos. | Artikel-Nr. | Menge | Variante | Notes |
|------|-------------|-------|----------|-------|
|------|-------------|-------|----------|-------|



| Pos. | Artikel-Nr. | Menge | Variante | Notes |
|------|-------------|-------|----------|-------|
|------|-------------|-------|----------|-------|



| Pos. | Artikel-Nr. | Menge | Variante | Notes |
|------|-------------|-------|----------|-------|
|------|-------------|-------|----------|-------|



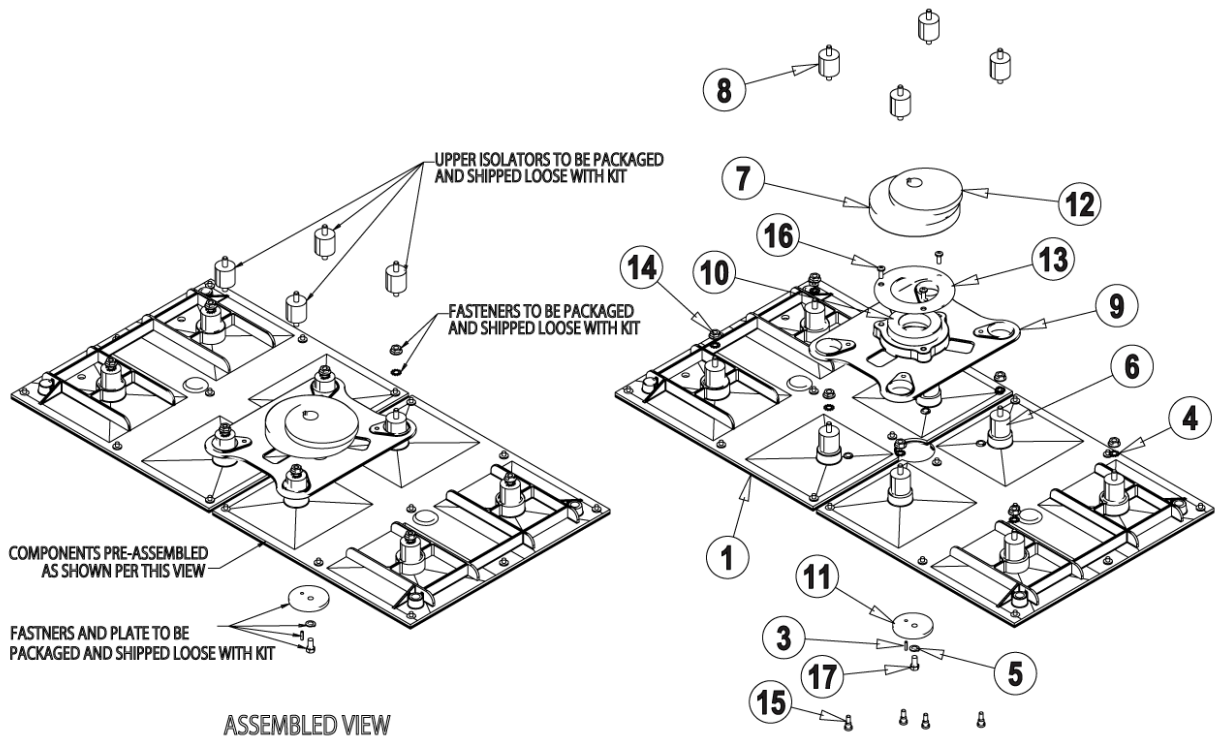
| Pos. | Artikel-Nr. | Menge | Variante | Notes |
|------|-------------|-------|----------|-------|
|------|-------------|-------|----------|-------|

| Pos. | Artikel-Nr. | Menge | Variante | Notes |
|------|-------------|-------|--|-------|
| 01A | 38036A | 1 | Padhalter 355 mm | [1] |
| 01B | 10383A | 1 | BRUSH ASM LITE GRIT 14 | [2] |
| 01C | 11431B | 1 | Schleifkornbürste Grit mittel, 355 mm | [1] |
| 01D | 11426B | 1 | Schleifkornbürste 355 mm | [2] |
| 01E | 11427B | 1 | Schrubbbürste PP, 355 mm | [1] |
| 01F | 10874A | 1 | Schrubbbürste 355 mm | [1] |
| 02A | 38034A | 1 | Padhalter 430 mm | [3] |
| 02B | 10384A | 1 | Schleifkornbürste 430 mm, Grit 17 | [3] |
| 02C | 11430B | 1 | Schleifkornbürste Grit mittel, 430 mm | [3] |
| 02D | 11425B | 1 | Schleifkornbürste Grit, schwer, 430 mm | [3] |
| 02E | 11424B | 1 | Schrubbbürste PP 430 mm, | [3] |
| 02F | 10875A | 1 | Schrubbbürste 430 mm | [3] |
| 03A | 30614A | 1 | Walzenbürste zyl., PP | [4] |
| 03B | 30615A | 1 | Walzenbürste zyl., Nylon | [4] |
| 03C | 30616A | 1 | Walzenbürste zyl., Clean Grit | [4] |
| 03D | 30617A | 1 | Walzenbürste zyl., Super Grit | [4] |
| 03E | 30619A | 1 | BRUSH LITE GRIT CYL | [4] |
| 04A | 997004 | 1 | Pad 14", Ø 355 mm, rot, VPE 5 | [5] |
| 04B | 997003 | 1 | Pad 14", Ø 355 mm, schwarz, VPE 5 | [5] |
| 04C | 997005 | 1 | Pad 14", Ø 355 mm, weiß, VPE 5 | [5] |
| 04D | 997007 | 1 | Pad 14", Ø 355 mm, blau, VPE 5 | [5] |
| 05A | 30556A | 1 | Sauglippe hinten Gummi | [1] |
| 05B | 30556L | 1 | Sauglippe hinten Gummi rot 35.12 | [1] |
| 05C | 30066A | 1 | Sauglippe Saugfuß | [1] |
| 05D | 30764L1 | 1 | Sauglippe innen, gekerbt, | [1] |
| 05E | 30540A | 1 | Sauglippe seitl. Saugfuß, 15,5 vorne | [1] |
| 05F | 30540L | 1 | Sauglippe seitl. Saugfuß, aussen | [1] |
| 05G | 30541A | 1 | Sauglippe seitl. Saugfuß, vorne, 15,5 | [1] |
| 06A | 30557A | 1 | Sauglippe hinten Gummi | [6] |
| 06B | 30557L | 1 | Sauglippe hinten Gummi rot 43.50 | [6] |
| 06C | 30091A | 1 | Sauglippe hinterer Saugfuß | [6] |
| 06D | 30717L1 | 1 | Sauglippe innere, eingekerbt | [6] |
| 06E | 30540A | 1 | Sauglippe seitl. Saugfuß, 15,5 vorne | [6] |
| 06F | 30540L | 1 | Sauglippe seitl. Saugfuß, aussen | [6] |
| 06G | 30541A | 1 | Sauglippe seitl. Saugfuß, vorne, 15,5 | [6] |
| 07A | 30773L2 | 2 | Sauglippe, innen | [5] |
| 07B | 38727A | 1 | Sauglippe f. Saugleiste, vorne, innen | [5] |
| 07C | 30774A | 1 | Auflageschiene Saugleiste | [5] |
| 07D | 30774L | 1 | Sauglippe hinten, außen | [5] |
| 08B | 10881A | 1 | OFF AISLE WAND KIT | [7] |
| 08C | 10876A | 1 | SOL/REC INDICATOR KIT | [8] |
| 08D | 10877A | 1 | Blinkleuchte | [8] |
| 08E | 10816A | 1 | REC TANK CLEANOUT OPTION | [9] |
| 08F | 10879A | 1 | Scheinwerfer-Set | [10] |
| 08G | 53390A | 1 | KIT 36V BTY MAINT. SYSTEM | [11] |
| 08H | 53572A | 1 | Sicherheitsgurt fest | [8] |
| 08I | 11079A | 1 | Reinigungsmittel-Dosiersystem | [12] |
| 08J | 11036A | 1 | CHEMICAL TANK SPARE RIDER | [10] |

Part Notes:

- [1] - SCRUBTEC R 571 DISC MODEL
- [2] - SCRUBTEC R 571 DISC MODEL
COMPLEXITY REDUCTION
- [3] - SCRUBTEC R 586 DISC MODEL
- [4] - SCRUBTEC R 571 C CYLINDRICAL MODEL
- [5] - SCRUBTEC R BOOST MODEL
- [6] - SCRUBTEC R 586 DISC & 571 C CYLINDRICAL MODELS
- [7] - FIELD INSTALLED OPTION KITS
EXPIRED NO REPLACEMENT

- [8] - FIELD INSTALLED OPTION KITS
PRUNED ACCESSORY
- [9] - FIELD INSTALLED OPTION KITS
NO LONGER AVAILABLE
- [10] - FIELD INSTALLED OPTION KITS
- [11] - FIELD INSTALLED OPTION KITS
SEE PI 2017-002
- [12] - FIELD INSTALLED OPTION KITS
EXPIRED ON 9/5/2017



| Pos. | Artikel-Nr. | Menge | Variante | Notes |
|------|-------------|-------|-------------------------------|-------|
| 0 | 56383369 | 1 | KIT-FLEXPLATE-BOOST 28 HD | |
| 0 | 56383370 | 1 | KIT-FLEXPLATE-BOOST 32 HD | |
| 0 | 56383151 | 1 | KIT-FLEXPLATE-BOOST 28 LG | |
| 1 | 56383375 | 1 | FLEX PLATE ASSY 28 | [1] |
| 1 | 56383376 | 1 | FLEX PLATE ASSY 32 | [2] |
| 2 | | 1 | Loctite 242 Compound Blue 0.5 | [3] |
| 3 | 925589 | 1 | PIN 1/8 X 1/2 | |
| 4 | 980614 | 8 | U-Scheibe | |
| 5 | 980657 | 1 | Scheibe 1/4 STD | |
| 6 | 56380190 | 8 | ISOLATOR-30 DURO 1/4-20 | |
| 7 | 56380192 | 1 | Lagerschild | [4] |
| 8 | | 4 | Isolator-40 Duro 1/4-20 | [5] |
| 9 | 56381491 | 1 | PLATE DRIVER | |
| 10 | 50736A | 1 | Lager | |
| 11 | 61724A | 1 | Aufnahme Exzenter | |
| 12 | | 1 | Eccentric | [6] |
| 13 | 61775A | 1 | Lagerhalterung | |
| 14 | 56001827 | 8 | NUT HEX SERRATED 1/4-20 | |
| 15 | 56381989 | 1 | BOLT-SHOULDER | |
| 16 | 84237A | 3 | Flachkopfschraube | |
| 17 | 85737A | 1 | Schraube 1/4-20 X 5/8 HEX | |
| K1 | 56380246 | 1 | Exzenterische Scheibe | [7] |
| K2 | 56382991 | 1 | KIT-ISOLATOR BOOST HD | [8] |

Part Notes:

- [1] - 56383369 56383151
- [2] - 56383370
- [3] - Loctite 242 Compound Blue 0.5
- [4] - TSB-CL2010-12
- [5] - Isolator-40 Duro 1/4-20
- [6] - Eccentric
- [7] - Includes pos. 3, 7, 12
- [8] - Includes pos. 2, 4, 6, 8, 14

for use with 56383369 56383370

