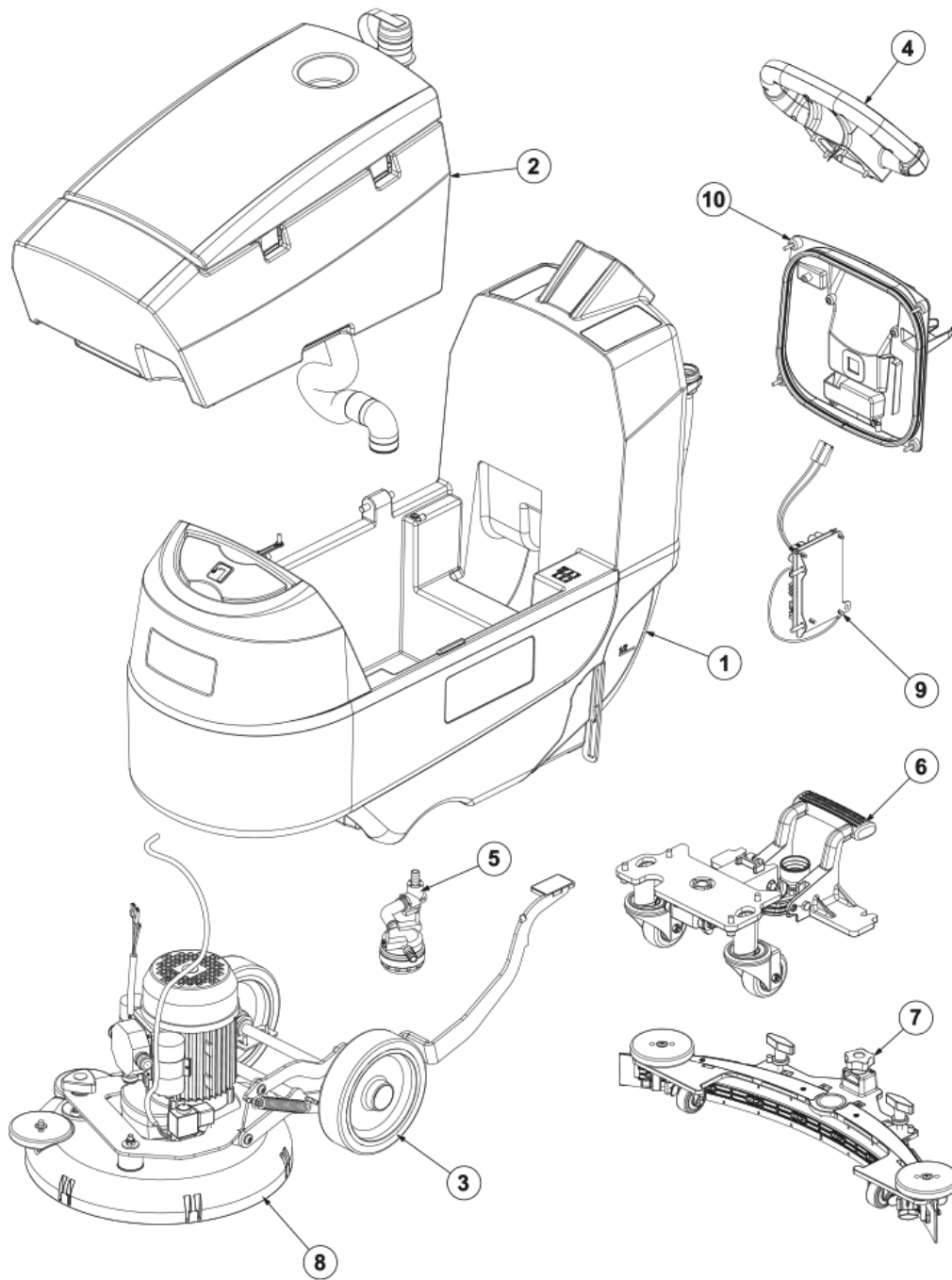


PARTS LIST

2020.06.25

TABLE OF CONTENTS

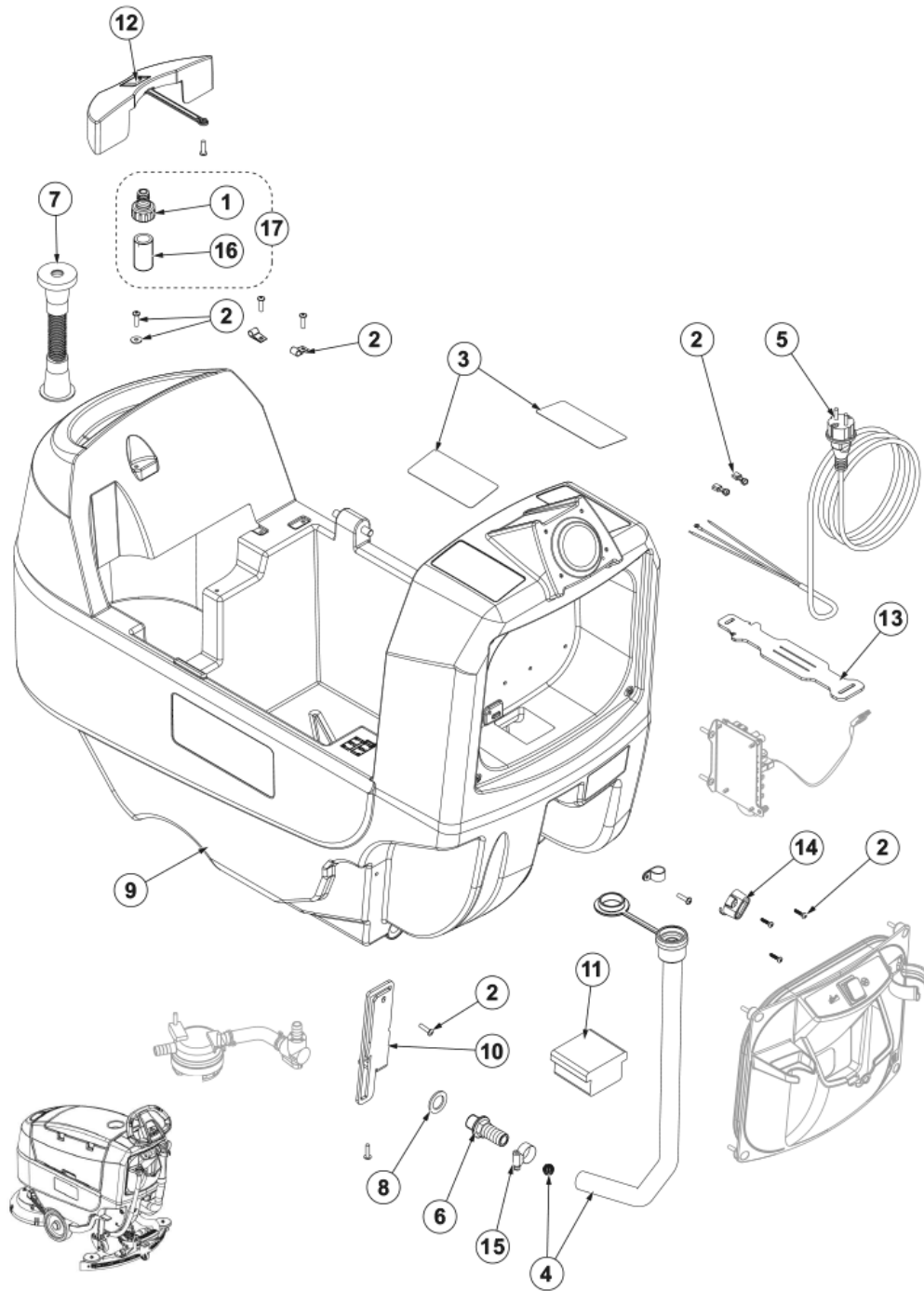
| | |
|--------------------------------------|----|
| PL GENERAL VIEW | 1 |
| PL SOLUTION TANK SYSTEM..... | 3 |
| PL RECOVERY TANK SYSTEM..... | 5 |
| PL VACUUM MOTOR SYSTEM..... | 7 |
| PL WHEELS SYSTEM..... | 9 |
| PL HANDLEBAR SYSTEM..... | 11 |
| PL REAR WHEELS SYSTEM..... | 13 |
| PL SQUEEGEE SYSTEM..... | 15 |
| PL BRUSH DECK..... | 17 |
| PL ELECTRICAL COMPONENTS SYSTEM..... | 19 |
| PL COVER ELECTRONIC SYSTEM..... | 21 |
| PL ACCESSORIES - OPTIONALS..... | 23 |
| PL BRUSHES..... | 25 |
| PL WIRING DIAGRAM..... | 27 |
| PL RECOMMENDED PARTS..... | 29 |



| Pos. | Artikel-Nr. | Menge | Variante | Notes |
|------|-------------|-------|-----------------------------------|-------|
| 1 | | 1 | SOLUTION TANK SYSTEM | [1] |
| 2 | | 1 | RECOVERY TANK SYSTEM | [2] |
| 3 | | 1 | WHEELS SYSTEM | [3] |
| 4 | | 1 | HANDELABAR SYSTEM | [4] |
| 5 | | 1 | SOLUTION SYSTEM | [5] |
| 6 | | 1 | REAR WHEELS SYSTEM | [5] |
| 7 | | 1 | SQUEEGEE SYSTEM | [6] |
| 8 | | 1 | BRUSH DECK SYSTEM | [7] |
| 9 | | 1 | ELECTRICAL COMPONENTS SYSTEM | [8] |
| 10 | | 1 | COVER ELECTRONIC SYSTEM | [9] |
| | 9100002996 | | CARDBOARD BOX 1400X690X1150MM SET | [10] |

Part Notes:

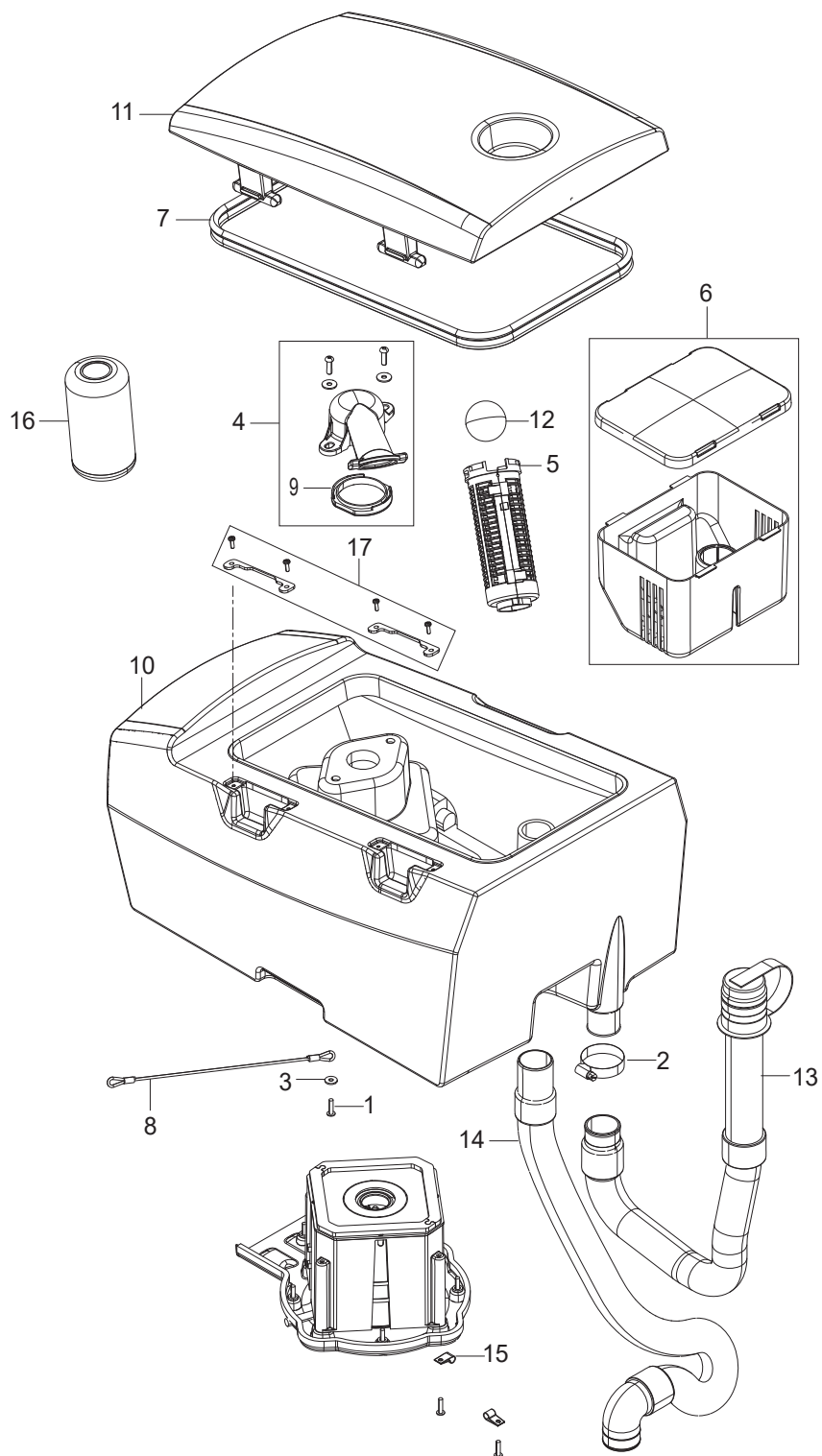
- [1] - PL SOLUTION TANK SYSTEM
- [2] - PL RECOVERY TANK SYSTEM
- [3] - PL WHEELS SYSTEM
- [4] - PL HANDLEBAR SYSTEM
- [5] - PL REAR WHEELS SYSTEM
- [6] - PL SQUEEGEE SYSTEM
- [7] - PL BRUSH DECK
- [8] - PL ELECTRICAL COMPONENTS SYSTEM
- [9] - PL COVER ELECTRONIC SYSTEM
- [10] - 5 pcs.



| Pos. | Artikel-Nr. | Menge | Variante | Notes |
|------|--------------|-------|--|-------|
| 1 | 1402809 | 1 | Schlauchstutzen/Nippel | |
| 2 | 9100002424 | 1 | HARDWARE SOLUTION TANK KIT | |
| 3 | 9100002434 | 1 | DECALS FUNCTIONS SETTING KIT | |
| 4 | 9100002431 | 1 | Frischwasser-Füllschlauch | |
| 5 | 909 6229 000 | 1 | KABEL ORANGE 20M | [1] |
| 6 | 9100000574 | 1 | FITTING STRAIGHT G1/2 D.20 KIT | |
| 7 | 9100000703 | 1 | Füllschlauch | |
| 8 | 9100001139 | 1 | GASKET RUBBER D.21X33X2.5 BLACK SIP | |
| 9 | 9100002428 | 1 | TANK SOLUTION 30L PLAST. GREY SIP | |
| 10 | 9100002433 | 1 | SUPPORT PEDAL SS SIP | |
| 11 | 9100002511 | 1 | PANEL RUBBER FOAM F WATER PROTECTION SIP | |
| 12 | 9100002430 | 1 | CAP RUBBER F SOLUTION TANK SIP | |
| 13 | 9100002512 | 1 | BAND ELASTIC F CABLE POWER SUPPLY SIP | |
| 14 | L08338600 | 1 | Kappe | |
| 15 | L08603916 | 1 | BRIDE | |
| 16 | 9100002435 | 1 | CONNECTOR MALE THD 3/4 G PLAST.BLACK SIP | |
| 17 | 9100002572 | 1 | Schnellkupplung zum Befüllen | [2] |

Part Notes:

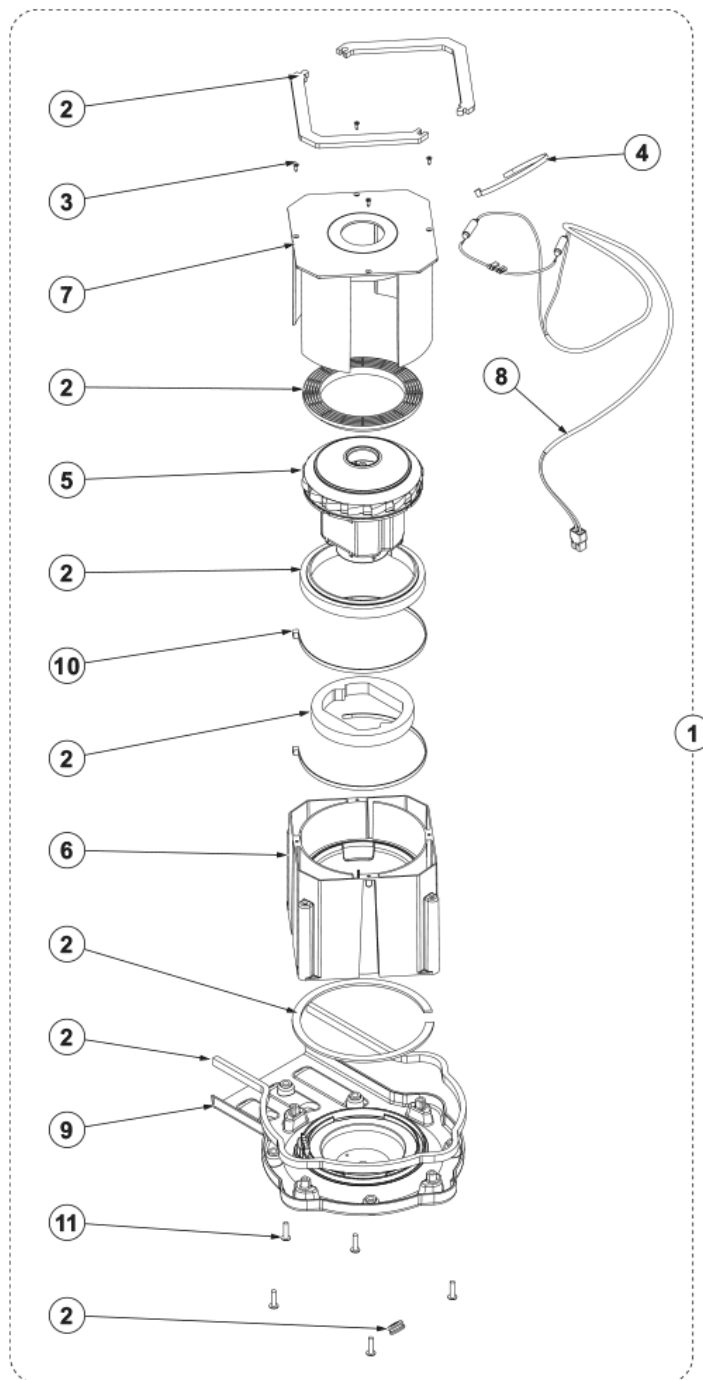
- [1] - Length: 20 m
[2] - OPTIONAL



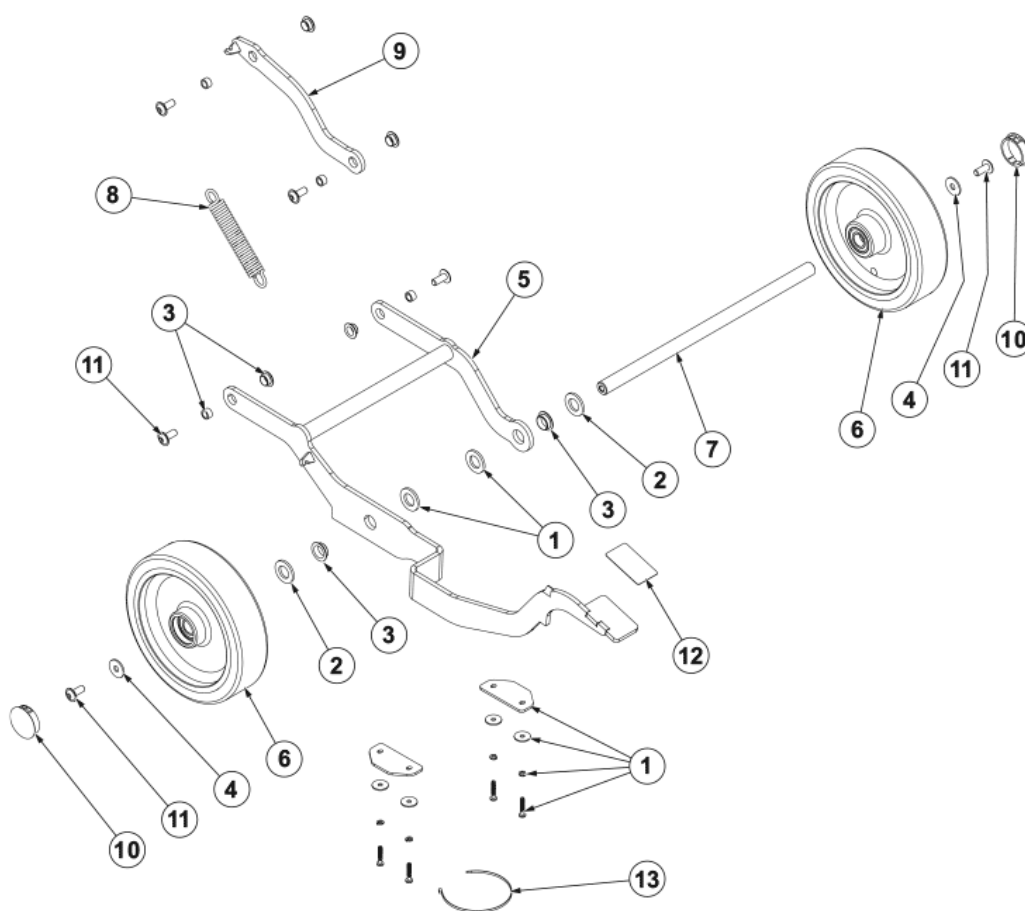
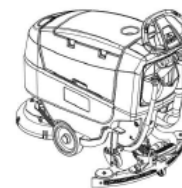
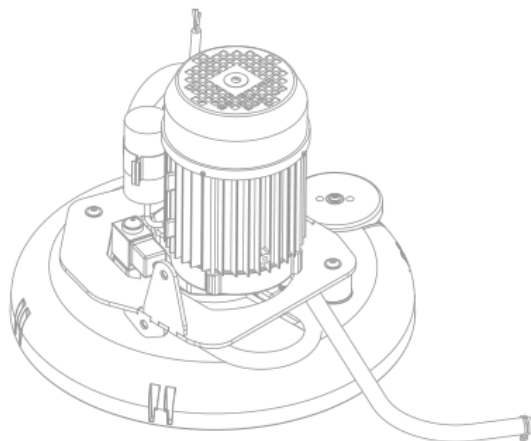
| Pos. | Artikel-Nr. | Menge | Variante | Notes |
|-------|--------------|-------|---------------------------------------|-------|
| 1 | 9100002437 | 1 | SCREW M5X20 TORX ISO7380-2 10 PCS SET | |
| 2 | 9100001348 | 1 | CLAMP 14/32-52 10 PCS SET | |
| 3 | 145 8280 000 | 1 | WASHER 5X15X1.2 UNI6593 | |
| 4 | 9100001875 | 1 | SUPPORT FLOAT KIT | |
| 5 | 9100000818 | 1 | CAGE FLOAT HALF 2 PCS SET | |
| 6 | 9100000795 | 1 | Schmutzfang-Set | |
| 7 | 9100002436 | 1 | GASKET BULB RUBBER L.1450MM SIP | |
| 8 | 9100002438 | 1 | CABLE SAFETY F TANK SIP | |
| 9 | 9100000928 | 1 | GASKET FLOAT SUPPORT PKD | |
| 10 | 9100002984 | 1 | TANK RECOVERY 30L PLAST. GREY KIT | |
| 11 | 9100002441 | 1 | COVER PLAST. GREY F TANK 30L SIP | |
| 12 | 9100000817 | 1 | BALL FLOATING PKD | |
| 13 | 9100002443 | 1 | Abwasserschlauch L.530mm SIP | |
| 14 | 9100002444 | 1 | Saugschlauch 90 Schwarz L.970mm SIP | |
| 15 | L08193000 | 2 | CLAMP CABLE BLACK | |
| 16 | 909 5065 000 | 1 | Filter antischaum | [1] |
| 17 | 9100002985 | 1 | PLATE HINGE LOCATOR KIT | |
| 10+17 | 9100002984 | 1 | TANK RECOVERY 30L PLAST. GREY KIT | |

Part Notes:

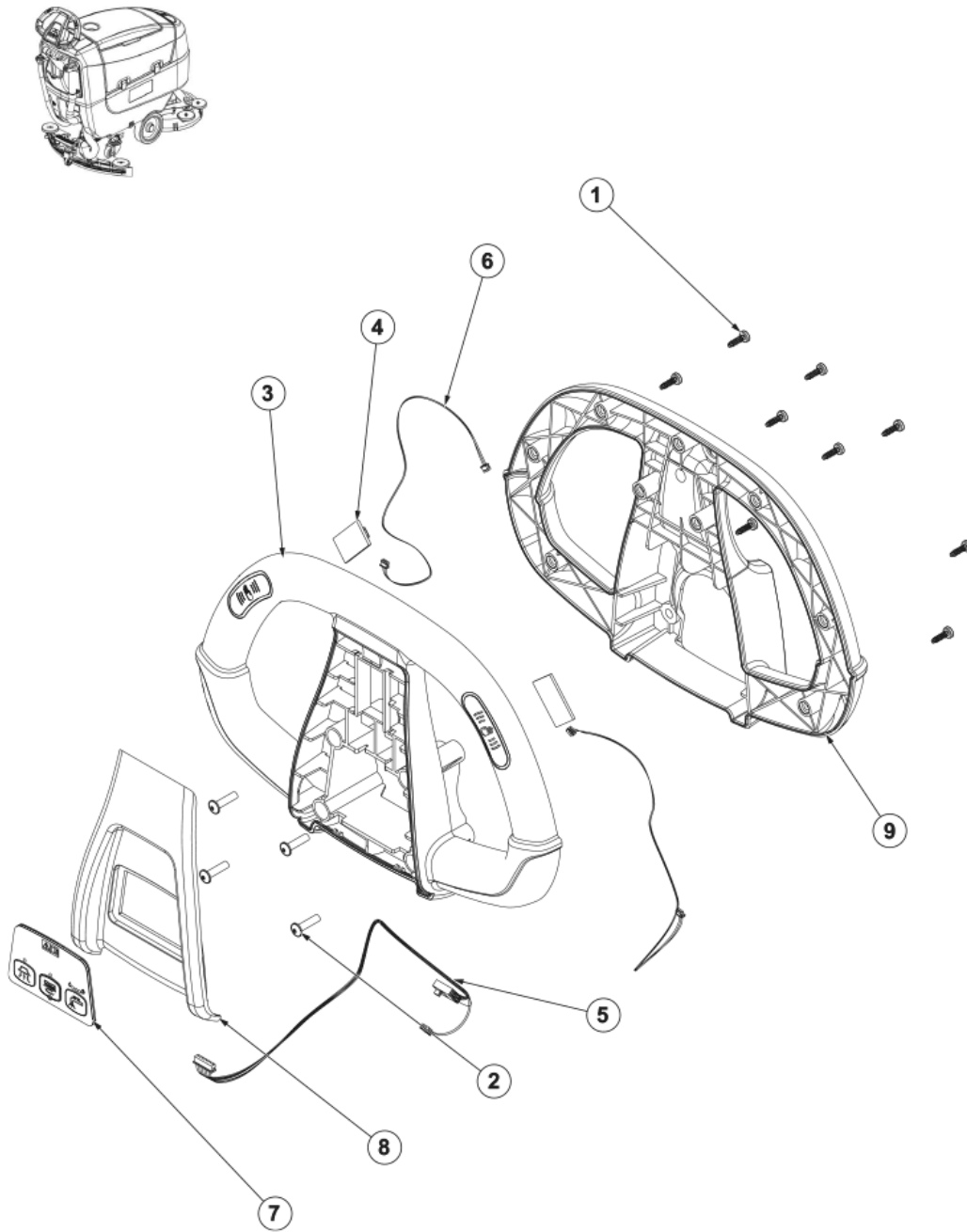
[1] - OPTIONAL



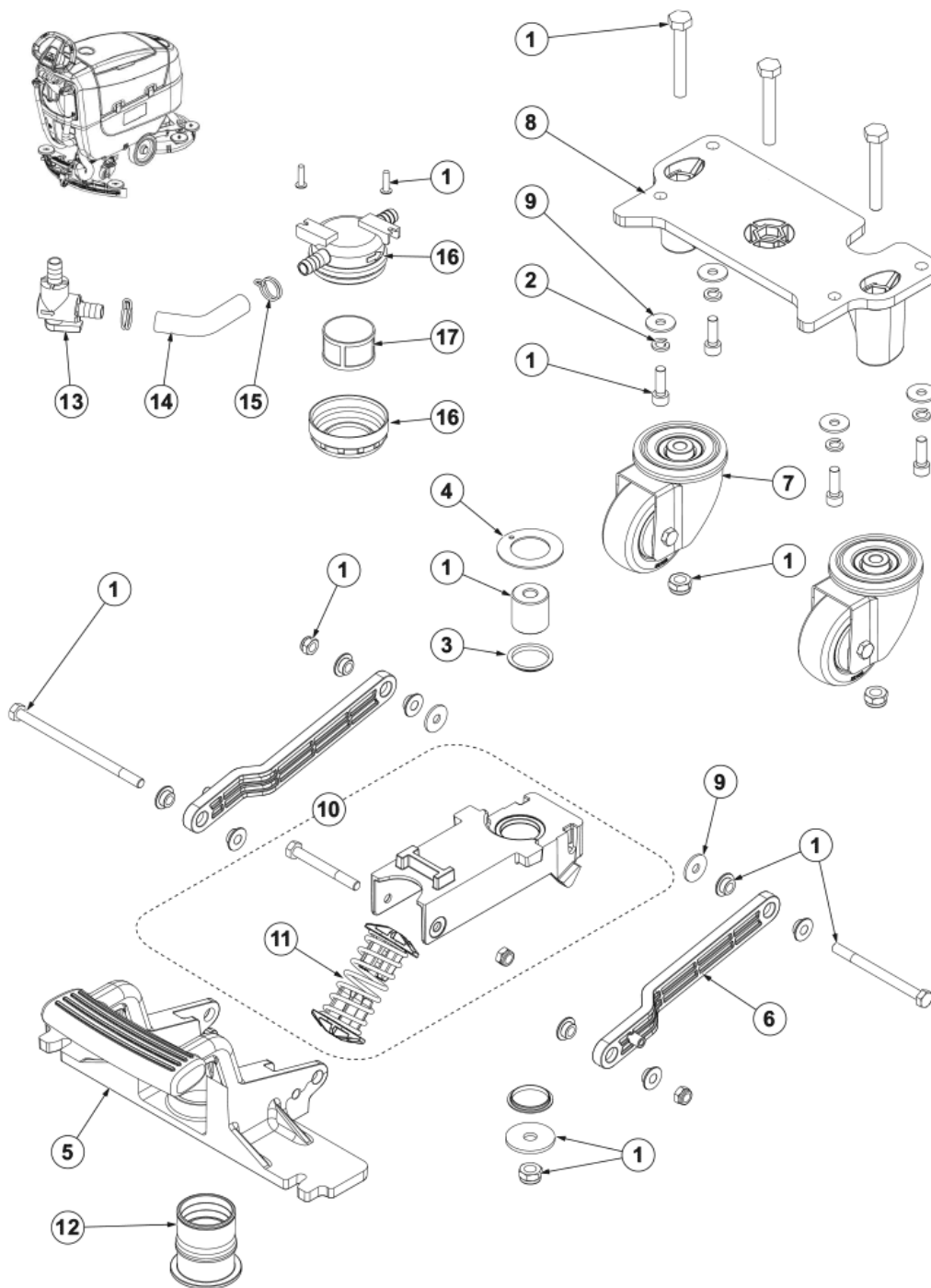
| Pos. | Artikel-Nr. | Menge | Variante | Notes |
|------|--------------|-------|---------------------------------------|-------|
| 1 | 9100002535 | 1 | MOTOR VACUUM 280W 230V KIT | |
| 2 | 9100002447 | 1 | GASKETS VAC. MOTOR KIT | |
| 3 | 145 1756 000 | 4 | Schraube 2.5x9.5 | |
| 4 | 1466344000 | 1 | TIE CABLE 4.8x200 BLACK 10 PCS SET | |
| 5 | 9100002552 | 1 | VACUUM MOTOR 280W 230V SIP | |
| 6 | 9100001983 | 1 | SUPPORT EXT. PLAST. F VAC. MOTOR KIT | |
| 7 | 9100001989 | 1 | SUPPORT INT. PLAST. F VAC. MOTOR SIP | |
| 8 | 9100002513 | 1 | HARNESS VACUUM MOTOR 230V SIP | |
| 9 | 9100002446 | 1 | SUPPORT PLAST. F VACUUM MOTOR SIP | |
| 10 | 1466337000 | 1 | TIE CABLE 4.8X430 WHITE 2 PCS SET | |
| 11 | 9100002437 | 1 | SCREW M5X20 TORX ISO7380-2 10 PCS SET | |



| Pos. | Artikel-Nr. | Menge | Variante | Notes |
|------|-------------|-------|--|-------|
| 1 | 9100002465 | 1 | HARDWARE FRONT WHEELS SYST.NO DRIVE KIT | |
| 2 | 33023628 | 1 | WASHER PLAIN M16X30 ISO7089 10PCS.SET | |
| 3 | 9100002458 | 1 | BUSHINGS AND BEARINGS F PEDAL SYST. KIT | |
| 4 | 33023660 | 1 | WASHER PLAIN M8X24X2 ISO7093 5 PCS SET | |
| 5 | 9100002461 | 1 | PEDAL BRUSH LIFTING GALV. SIP | |
| 6 | 9100002462 | 2 | WHEEL D.200X50 TPE BLACK/GREY SIP | |
| 7 | 9100002463 | 1 | SHAFT WHEELS PHOS. SIP | |
| 8 | 9100002452 | 1 | SPRING EXTENTION D.E.20.5 WIRE D.3.5 SIP | |
| 9 | 9100002464 | 1 | LEVER BRUSH DECK GALV. SIP | |
| 10 | 9100002450 | 1 | PLUG DOME O.D.42.4 PLAST.BLACK 2 PCS SET | |
| 11 | 9100002456 | 1 | SCREW M8X20 BUTTON ISO7380-2 10 PCS SET | |
| 12 | 9100002457 | 1 | ANTI-SLIP SURFACING BLACK 35X60MM SIP | |
| 13 | 1466344000 | 1 | TIE CABLE 4.8x200 BLACK 10 PCS SET | |



| Pos. | Artikel-Nr. | Menge | Variante | Notes |
|------|--------------|-------|---------------------------------------|-------|
| 1 | 140 9214 040 | 9 | Schraube 40x14 | |
| 2 | 9100002437 | 1 | SCREW M5X20 TORX ISO7380-2 10 PCS SET | |
| 3 | 9100002467 | 1 | COVER PLAST. F HANDLE BAR SIP | |
| 4 | 9100002016 | 2 | SENSOR CAPACITIVE SIP | |
| 5 | 9100002468 | 1 | HARNESS DASHBOARD SIP | |
| 6 | 9100002469 | 2 | HARNESS HANDLE BAR SENSORS SIP | |
| 7 | 9100002514 | 1 | CONTROLLER USER INTERFACE 230V SIP | |
| 8 | 9100002553 | 1 | COVER CENTRAL PLAST. F HANDLE BAR SIP | |
| 9 | 9100002554 | 1 | FRAME PLAST. F HANDLE BAR SIP | |



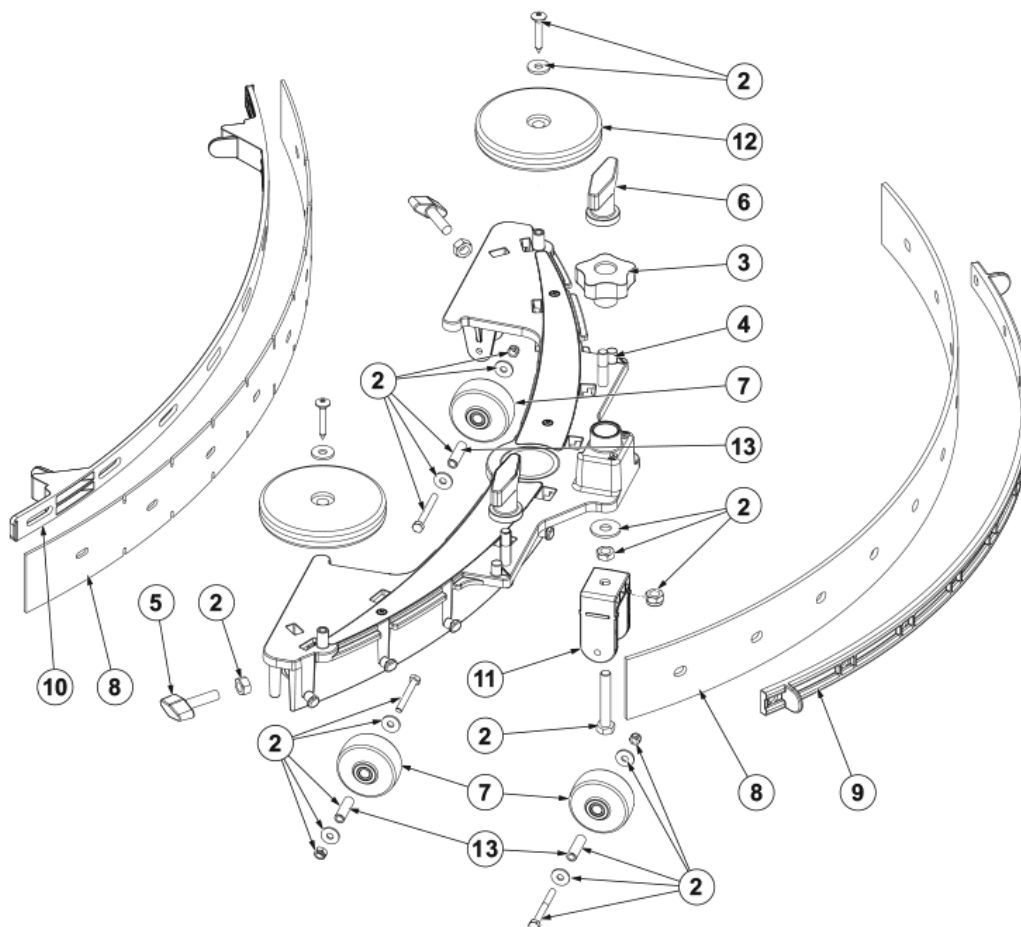
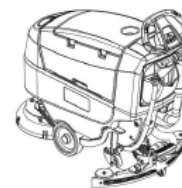
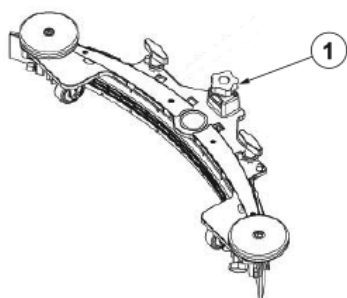
PL REAR WHEELS SYSTEM

SC401 43 E NIL

2017.11.02

2017.12.06

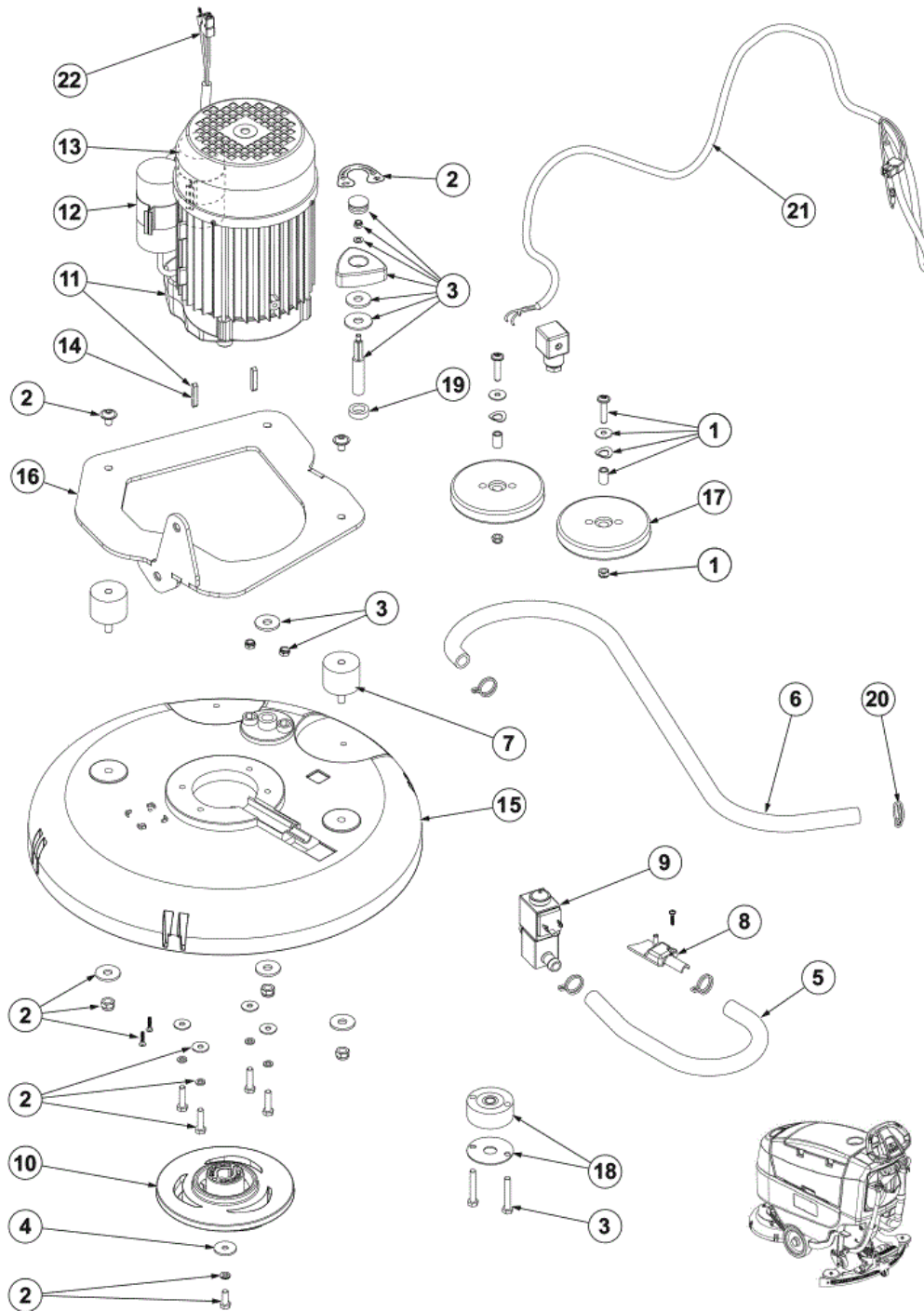
| Pos. | Artikel-Nr. | Menge | Variante | Notes |
|------|-------------|-------|--|-------|
| 1 | 9100002475 | 1 | HARDWARE REAR WHEELS SYSTEM KIT | |
| 2 | 33023223 | 1 | U-Scheibe M8 UNI1751B 10 Stck. | |
| 3 | 9100000902 | 1 | BEARING FLANGE IGLIDUR 2 PCS SET | |
| 4 | 9100000903 | 1 | U-Scheibe GTM 3254-015 PKD | |
| 5 | 9100000853 | 1 | SUPPORT LOWER F SQUEEGEE PKD | |
| 6 | 9100000854 | 1 | LEVER SQUEEGEE LIFT 2 PCS SET | |
| 7 | 9100000856 | 1 | WHEEL CASTOR D.80 2 PCS SET | |
| 8 | 9100002473 | 1 | SUPPORT ALU F REAR WHEELS-SQUEEGEE SIP | |
| 9 | 33023660 | 2 | WASHER PLAIN M8X24X2 ISO7093 5 PCS SET | |
| 10 | 9100002400 | 1 | SUPPORT UPPER F SQUEEGEE KIT | |
| 11 | 9100002401 | 1 | SPRING COMPRESSION KIT | |
| 12 | 9100002396 | 1 | SLEEVE RUBBER BLACK F SUCTION HOSE SIP | |
| 13 | 9100000803 | 1 | VALVE ELBOW PKD | |
| 14 | 9100002474 | 1 | HOSE PVC W/SPIRAL D.12X18 L.100MM SIP | |
| 15 | 9100001159 | 1 | CLAMP DOUBLE WIRE SPRING D.18 10 PCS SET | |
| 16 | 9100000860 | 1 | Wasserfilter | |
| 17 | 9100000861 | 1 | NET WATER FILTER REINFORCED PKD | |



| Pos. | Artikel-Nr. | Menge | Variante | Notes |
|------|-------------|-------|--|-------|
| 1 | 9100002570 | 1 | SQUEEGEE 700MM 28 PLAST. KIT | |
| 2 | 9100000748 | 1 | HARDWARE SQUEEGEE KIT | |
| 3 | 9100000862 | 1 | KNOB LOBES M8 FEMALE PKD | |
| 4 | 9100000747 | 1 | SQUEEGEE 730MM/29 PRE-ASSEMBLED PKD | |
| 5 | 9100000791 | 2 | KNOB M8X30 THD STUD SS PKD | |
| 6 | 9097637000 | 1 | Befestigungskit BA 551 | |
| 7 | 9100000559 | 3 | Rad grau D.51 | |
| 8 | 9100002541 | 1 | Sauglippenset Gummi 700mm 28 Gum Kit | [1] |
| 8 | 9100002542 | 1 | Saugluppen-Set 700mm 28 PU | [1] |
| 8 | 9100002543 | 1 | Sauglippenset Gummi 700mm 28 Gum Rot Kit | [1] |
| 9 | 9100000864 | 1 | STRAP ELASTIC F REAR SQUEEGEE BLADE PKD | |
| 10 | 9100000865 | 1 | STRAP FRONT SQUEEGEE BLADE PKD | |
| 11 | 9100000866 | 1 | SUPPORT SQUEEGEE WHEEL SIP | |
| 12 | 9100001816 | 1 | WHEEL BUMPER D.100 PLASTIC 2 PCS SET | |
| 13 | 9100002408 | 1 | BEARING SLEEVE D.5.1X8 H.28.5 3 PCS SET | |

Part Notes:

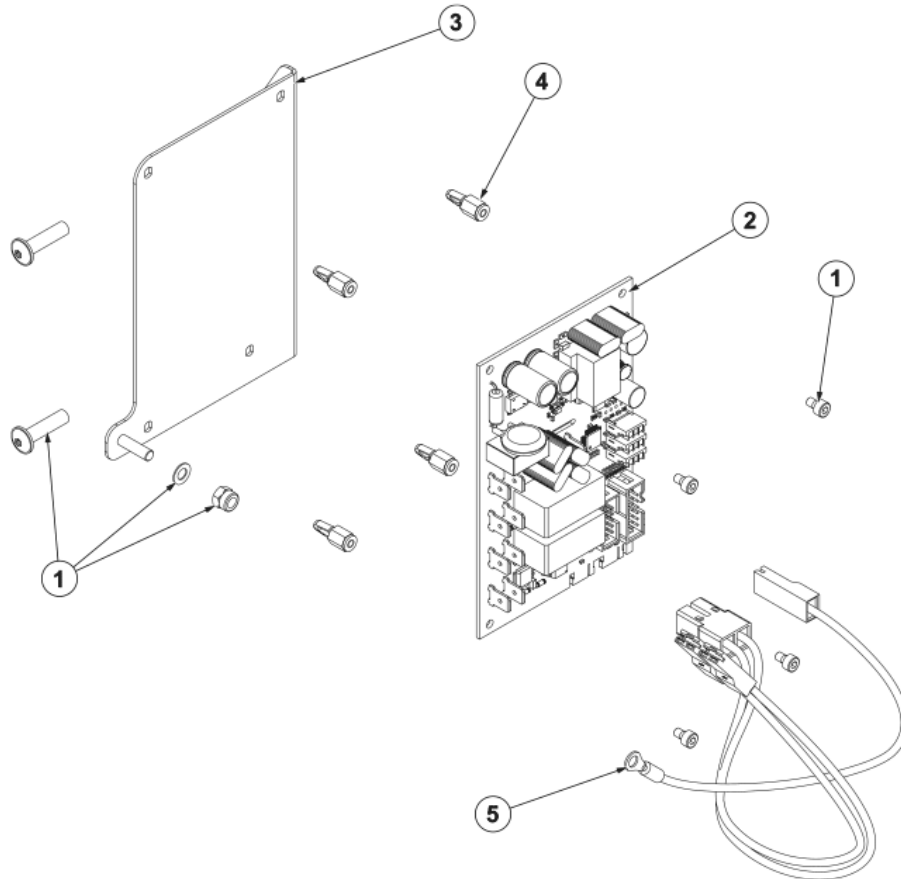
[1] - OPTIONAL



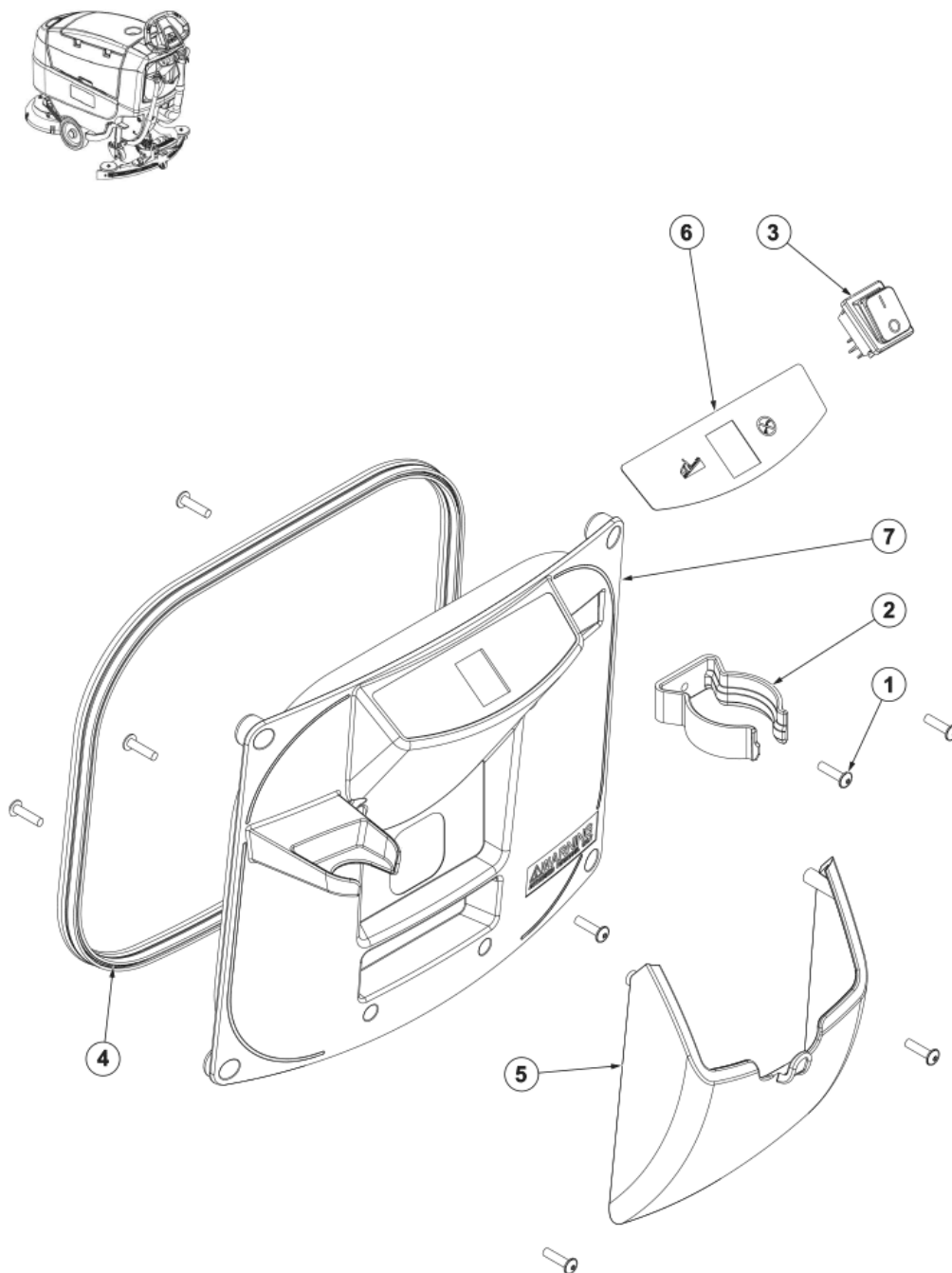
| Pos. | Artikel-Nr. | Menge | Variante | Notes |
|------|-------------|-------|--|-------|
| 1 | 9100002481 | 1 | HARDWARE BUMPER WHEELS KIT | |
| 2 | 9100002482 | 1 | HARDWARE BUSH DECK KIT | |
| 3 | 9100002483 | 1 | KNOB BRUSH SPEED ADJUSTM. KIT | |
| 4 | 9100001272 | 1 | WASHER PLAIN M6X24 SS ISO7093 10 PCS SET | |
| 5 | 9100002479 | 1 | HOSE PVC W/SPIRAL D.12X18 L.330MM SIP | |
| 6 | 9100002480 | 1 | HOSE PVC W/SPIRAL D.12X18 L.800MM SIP | |
| 7 | 9100000868 | 1 | VIBRATION DAMPING M8 60SH 2 PCS SET | |
| 8 | 9100000869 | 1 | COVER SOLUTION HOSE SUPPORT PKD | |
| 9 | 9099246000 | 1 | Magnetventil 220-230 V | |
| 10 | 9100000871 | 1 | HUB BRUSH PKD | [1] |
| K1 | 9097093000 | 1 | Polygonalhalter-Kit | [1] |
| 11 | 9100002536 | 1 | REDUCTION GEARMOTOR 750W 230V SIP | |
| 12 | 9100002537 | 1 | CAPACITOR ELECTRIC SIP | |
| 13 | 9100002538 | 1 | CAPACITOR RUN SIP | |
| 14 | 9100000875 | 1 | KEY 5X5X30 DIN6885 2 PCS SET | |
| 15 | 9100002477 | 1 | DECK BRUSH 430MM/17 PLAST. SIP | |
| 16 | 9100002478 | 1 | PLATE BRUSH DECK HOLDER GALV. SIP | |
| 17 | 9100001816 | 1 | WHEEL BUMPER D.100 PLASTIC 2 PCS SET | |
| 18 | L08812780 | 1 | Fixierungskkit BA 450/530 | |
| 19 | 9100002484 | 1 | SPACER D.12.5X20 H.6 PLAST. SIP | |
| 20 | 9100001159 | 1 | CLAMP DOUBLE WIRE SPRING D.18 10 PCS SET | |
| 21 | 9100002515 | 1 | HARNESS SOLENOID VALVE 230V SIP | |
| 22 | 9100002539 | 1 | HARNESS BRUSH MOTOR SIP | |

Part Notes:

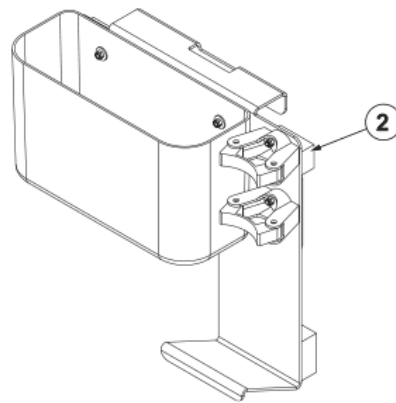
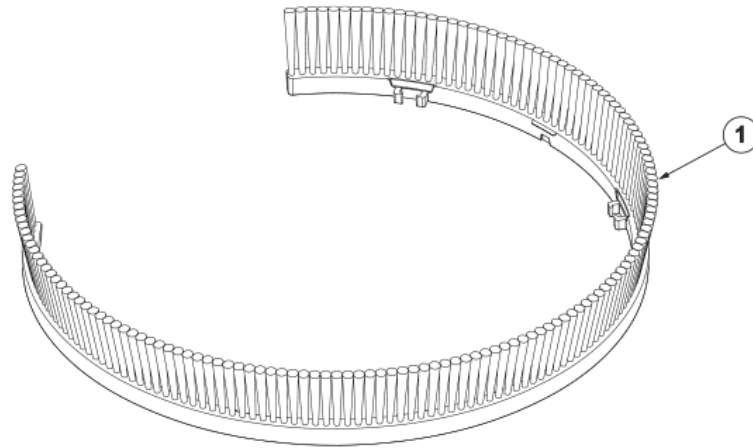
- [1] - TSB-FC-2019-037 brush hub SC500_SC2000_SC401
DE TSB-FC-2019-037 SC500 SC2000 SC401 Bürstenaufnahme



| Pos. | Artikel-Nr. | Menge | Variante | Notes |
|-------------|--------------------|--------------|--|--------------|
| 1 | 9100002518 | 1 | HARDWARE ELECTR. COMP. SYSTEM KIT | |
| 2 | 9100002519 | 1 | CONTROLLER MAIN MACHINE CA SIP | |
| 3 | 9100002516 | 1 | SUPPORT GALV. F CONTR. MAIN MACH. CA SIP | |
| 4 | 9100002488 | 1 | SUPPORT THD PLAST F CONTROLLER 4 PCS SET | |
| 5 | 9100002517 | 1 | HARNESS ELECT.COMP. BOX CA SIP | |



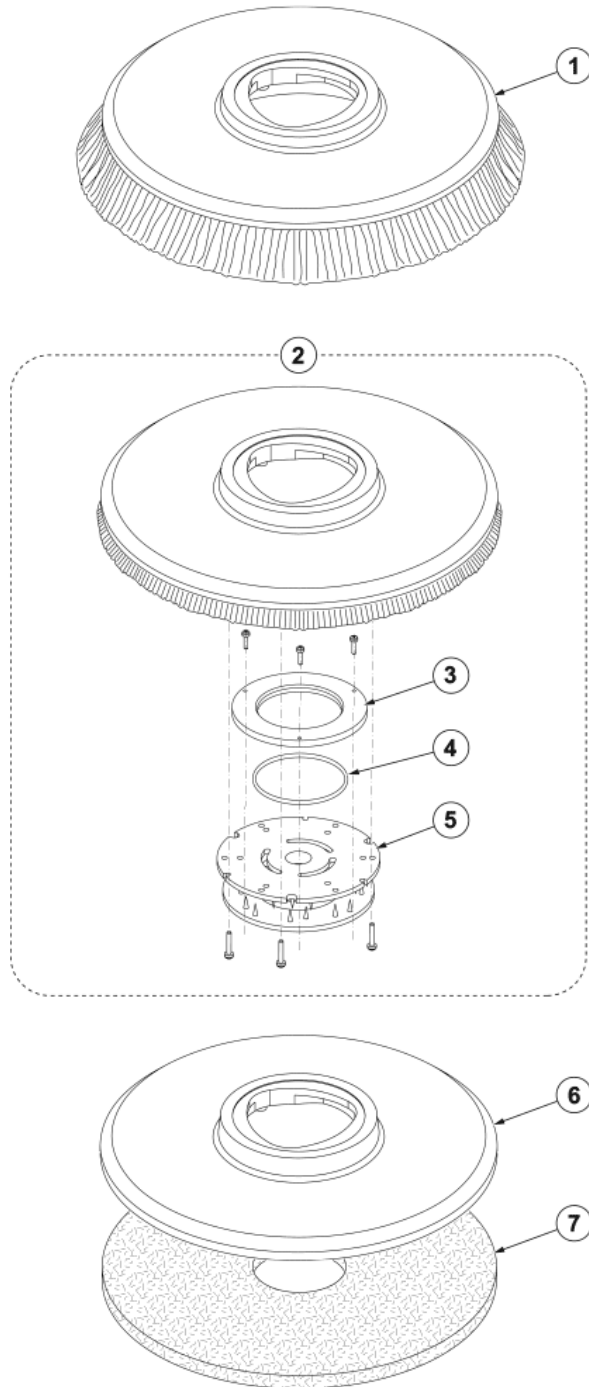
| Pos. | Artikel-Nr. | Menge | Variante | Notes |
|-------------|--------------------|--------------|--|--------------|
| 1 | 9100002437 | 1 | SCREW M5X20 TORX ISO7380-2 10 PCS SET | |
| 2 | 909 6380 000 | 1 | Schlauchklammer BR 601BR 751 | |
| 3 | 9099357000 | 1 | SWITCH DOUBLE-POLE | |
| 4 | 9100002496 | 1 | GASKET BULB REINFORCED L.1050MM SIP | |
| 5 | 9100002497 | 1 | POCKET PLAST. F ELECTR. BOX COVER SIP | |
| 6 | 9100002520 | 1 | DECAL ELECTRIC BOX COVER CA SIP | |
| 7 | 9100002521 | 1 | COVER PLAST. F ELECT. COMP. BOX CA SIP | |



| Pos. | Artikel-Nr. | Menge | Variante | Notes |
|------|-------------|-------|-------------------------------------|-------|
| 1 | 9100001927 | 1 | Spritzschutz m. Borsten 17", 432 mm | [1] |
| 2 | 9100002280 | 1 | Mophalter, Zubehörkorb | [1] |

Part Notes:

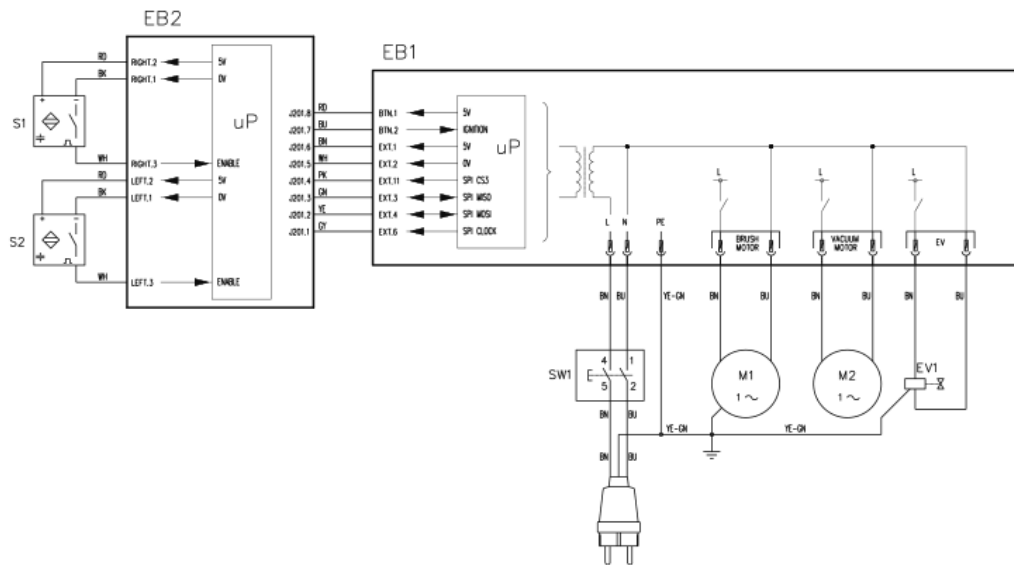
[1] - OPTIONAL



| Pos. | Artikel-Nr. | Menge | Variante | Notes |
|------|--------------|-------|--|-------|
| 1 | L08812891 | 1 | Bürste PP, mittel, 430 mm, 17" | [1] |
| 1 | 909 5691 000 | 1 | Bürste Mid Grit 180, mittelschwer | [1] |
| 1 | 909 5692 000 | 1 | Bürste Sica weich, Mid Grit 240 | [1] |
| 1 | 909 5693 000 | 1 | Bürste PPN Prolite | [1] |
| 1 | 909 5694 000 | 1 | Bürste Union Mix | [1] |
| 2 | 9100001897 | 1 | PAD HOLDER BRISTLE 17 430MM | [1] |
| 3 | L08603966 | 1 | Nylon Ring | |
| 4 | L08603965 | 1 | SEAL O-RING | |
| 5 | 56505195 | 1 | Padverschluss m. Spange | |
| 6 | 9100002050 | 1 | Padhalter flach 17" 432mm | [1] |
| 7 | 10001936 | 1 | Eco Pad 17", Ø 432 mm, weiß, VPE 5 | [1] |
| 7 | 10001937 | 1 | Eco Pad 17", Ø 432 mm, hellbraun, VPE 5 | [1] |
| 7 | 10001938 | 1 | Eco Pad 17", Ø 432 mm, schwarz, VPE 5 | [1] |
| 7 | 10001939 | 1 | Eco Pad 17", Ø 432 mm, blau, VPE 5 | [1] |
| 7 | 10001940 | 1 | Eco Pad 17", Ø 432 mm, grün, VPE 5 | [1] |
| 7 | 10001941 | 1 | Eco Pad 17", Ø 432 mm, rot, VPE 5 | [1] |
| 7 | 10002336 | 1 | Eco Brill. Pad 17", Ø 431 mm, rot, VPE 2 | [1] |
| 7 | 10002337 | 1 | Eco Brill. Pad 17", Ø 431 mm, blau, VPE | [1] |
| 7 | 10002338 | 1 | Eco Brill. Pad 17", Ø 431 mm, gelb, VPE | [1] |
| 7 | 10002339 | 1 | Eco Brill. Pad 17", Ø 431 mm, grün, VPE | [1] |

Part Notes:

[1] - OPTIONAL



| Pos. | Artikel-Nr. | Menge | Variante | Notes |
|-------|-------------|-------|------------------------------------|-------|
| EB1 | 9100002519 | | CONTROLLER MAIN MACHINE CA SIP | |
| EB2 | 9100002514 | | CONTROLLER USER INTERFACE 230V SIP | |
| EV1 | 9099246000 | | Magnetventil 220-230 V | |
| M1 | 9100002536 | | REDUCTION GEARMOTOR 750W 230V SIP | |
| M2 | 9100002552 | | VACUUM MOTOR 280W 230V SIP | |
| S1,S2 | 9100002016 | | SENSOR CAPACITIVE SIP | |
| SW1 | 9099357000 | | SWITCH DOUBLE-POLE | |

PL RECOMMENDED PARTS

SC401 43 E NIL

2017.11.02

2017.10.26

| Pos. | Artikel-Nr. | Menge | Variante | Notes |
|------|--------------|-------|--|-------|
| NW | 9100002541 | 1 | Sauglippenset Gummi 700mm 28 Gum Kit | |
| NW | 9100002542 | 1 | Sauglippenset 700mm 28 PU | |
| NW | 9100002543 | 1 | Sauglippenset Gummi 700mm 28 Gum Rot Kit | |
| NW | 9100002537 | 1 | CAPACITOR ELECTRIC SIP | |
| OM | 9100002431 | 1 | Frischwasser-Füllschlauch | |
| OM | 909 6229 000 | 1 | KABEL ORANGE 20M | |
| OM | 9100000703 | 1 | Füllschlauch | |
| OM | 9100002512 | 1 | BAND ELASTIC F CABLE POWER SUPPLY SIP | |
| OM | 9100002443 | 1 | Abwasserschlauch L.530mm SIP | |
| OM | 9100002444 | 1 | Saugschlauch 90 Schwarz L.970mm SIP | |
| OM | 9100002447 | 1 | GASKETS VAC. MOTOR KIT | |
| OM | 9100002552 | 1 | VACUUM MOTOR 280W 230V SIP | |
| OM | 9100002462 | 2 | WHEEL D.200X50 TPE BLACK/GREY SIP | |
| OM | 9100000856 | 1 | WHEEL CASTOR D.80 2 PCS SET | |
| OM | 9100002396 | 1 | SLEEVE RUBBER BLACK F SUCTION HOSE SIP | |
| OM | 9100000861 | 1 | NET WATER FILTER REINFORCED PKD | |
| OM | 9100002570 | 1 | SQUEEGEE 700MM 28 PLAST. KIT | |
| OM | 9100000862 | 1 | KNOB LOBES M8 FEMALE PKD | |
| OM | 9100000747 | 1 | SQUEEGEE 730MM/29 PRE-ASSEMBLED PKD | |
| OM | 9100000559 | 3 | Rad grau D.51 | |
| OM | 9100000864 | 1 | STRAP ELASTIC F REAR SQUEEGEE BLADE PKD | |
| OM | 9100000865 | 1 | STRAP FRONT SQUEEGEE BLADE PKD | |
| OM | 9100001816 | 1 | WHEEL BUMPER D.100 PLASTIC 2 PCS SET | |
| OM | 9099246000 | 1 | Magnetventil 220-230 V | |
| OM | 9100000871 | 1 | HUB BRUSH PKD | |
| OM | 9100002536 | 1 | REDUCTION GEARMOTOR 750W 230V SIP | |
| OM | 9100001816 | 1 | WHEEL BUMPER D.100 PLASTIC 2 PCS SET | |
| EOM | 9100002513 | 1 | HARNES VACUUM MOTOR 230V SIP | |
| EOM | 9100002461 | 1 | PEDAL BRUSH LIFTING GALV. SIP | |
| EOM | 9100002463 | 1 | SHAFT WHEELS PHOS. SIP | |
| EOM | 9100002467 | 1 | COVER PLAST. F HANDLE BAR SIP | |
| EOM | 9100002016 | 2 | SENSOR CAPACITIVE SIP | |
| EOM | 9100002468 | 1 | HARNES DASHBOARD SIP | |
| EOM | 9100002469 | 2 | HARNES HANDLE BAR SENSORS SIP | |
| EOM | 9100002514 | 1 | CONTROLLER USER INTERFACE 230V SIP | |
| EOM | 9100002554 | 1 | FRAME PLAST. F HANDLE BAR SIP | |
| EOM | 9100002473 | 1 | SUPPORT ALU F REAR WHEELS-SQUEEGEE SIP | |
| EOM | 9100002400 | 1 | SUPPORT UPPER F SQUEEGEE KIT | |
| EOM | 9100002401 | 1 | SPRING COMPRESSION KIT | |
| EOM | 9100000803 | 1 | VALVE ELBOW PKD | |
| EOM | 9100002474 | 1 | HOSE PVC W/SPIRAL D.12X18 L.100MM SIP | |
| EOM | 9100000860 | 1 | Wasserfilter | |
| EOM | 9100002483 | 1 | KNOB BRUSH SPEED ADJUSTM. KIT | |
| EOM | 9100002479 | 1 | HOSE PVC W/SPIRAL D.12X18 L.330MM SIP | |
| EOM | 9100002480 | 1 | HOSE PVC W/SPIRAL D.12X18 L.800MM SIP | |
| EOM | 9100002477 | 1 | DECK BRUSH 430MM/17 PLAST. SIP | |
| EOM | 9100002515 | 1 | HARNES SOLENOID VALVE 230V SIP | |
| EOM | 9100002539 | 1 | HARNES BRUSH MOTOR SIP | |
| EOM | 9100002519 | 1 | CONTROLLER MAIN MACHINE CA SIP | |
| EOM | 9100002517 | 1 | HARNES ELECT.COMP. BOX CA SIP | |

