



07351-5758060

kontakt@nilfisk-alto-shop.com



**Preisabfrage bzw. Bestellungen der Artikel im Shop unter**

**[www.nilfisk-alto-shop.com](http://www.nilfisk-alto-shop.com)**

**einfach die Artikelnummer in die Suchmaske eingeben**

**(Bitte die Artikelnummer ohne Leerzeichen eingeben)**

# PARTS LIST

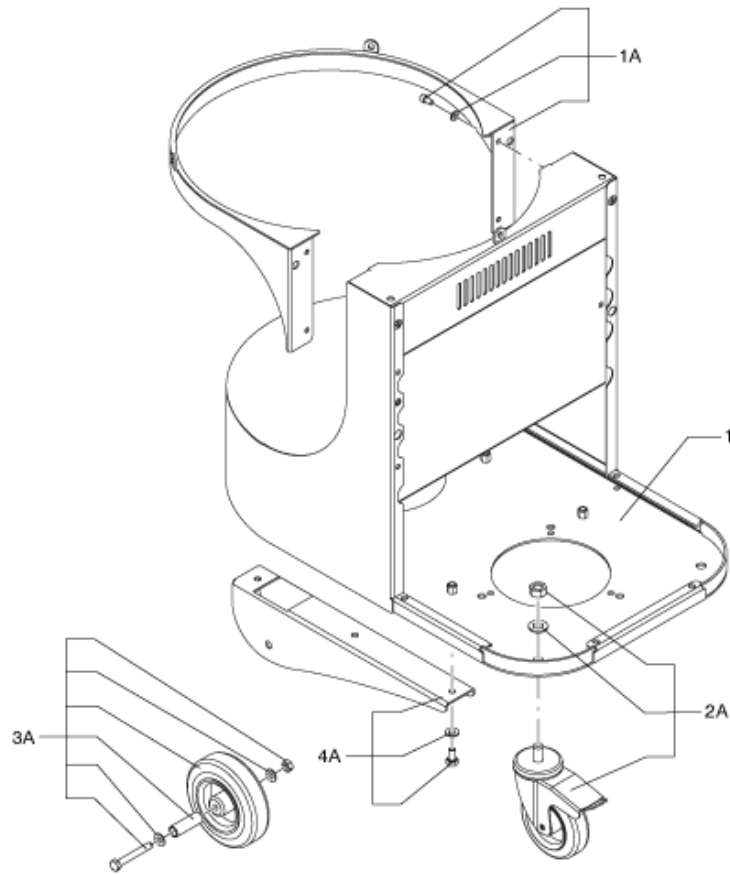


2021.04.15

# TABLE OF CONTENTS

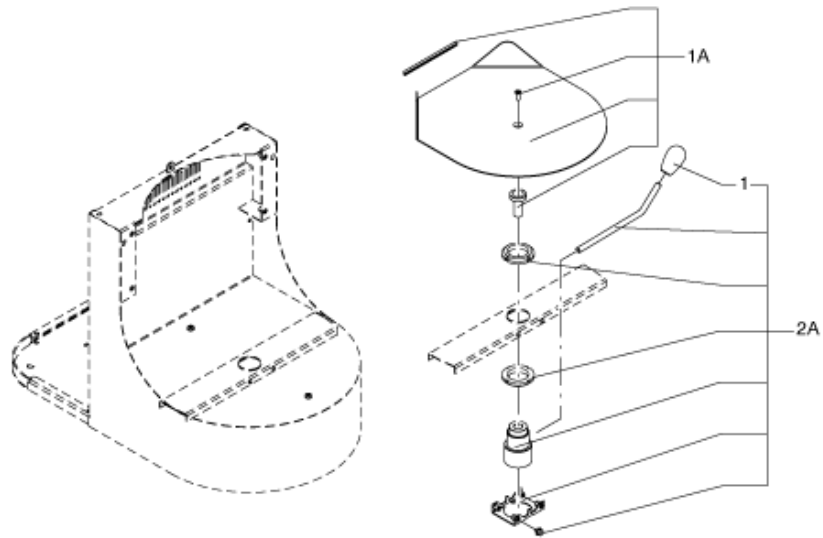
---

L185 - 1 - CAR .....	1
L185 - 2 - CAR .....	3
L185 - 3 - CAR .....	5
L185 - 4 - CONTAINER UNIT .....	7
L185 - 5 - FILTER GROUP .....	9
L185 - 6 - BACKWASH GROUP .....	11
L185 - 7 - FILTER GROUP .....	13
L185 - 8 - SHAKER UNIT .....	15
L185 - 9 - SUCTION UNIT .....	17
L185 - 10 - ELECTRIC SYSTEM .....	19
L185 - 11 - L/M/H & ATEX LABEL .....	21



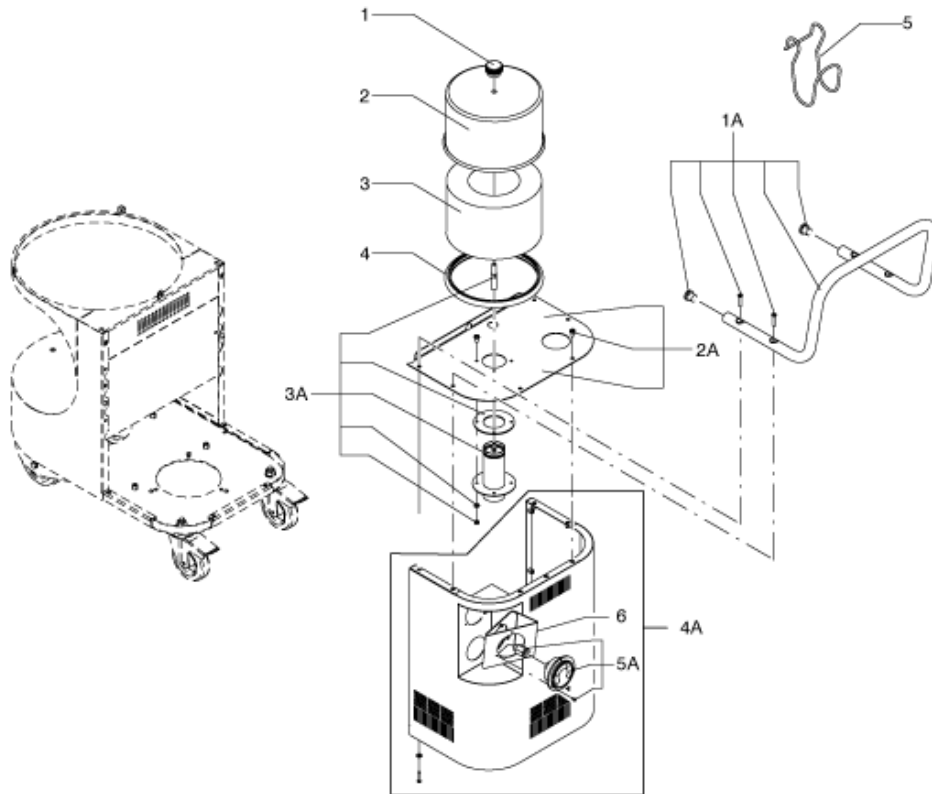
---

<b>Pos.</b>	<b>Artikel-Nr.</b>	<b>Menge</b>	<b>Variante</b>	<b>Notes</b>
01	4083600729	1	MODULAR BASE HORIZONTAL R9003 MOD.VHW	
01A	4089100353	1	BAND FOR THE FILTER CHAMBER KIT	
02A	4089100354	1	REVOLV. CASTOR KIT	
03A	4089100355	1	FIX WHEEL KIT	
04A	4089100356	1	SUPPORTS KIT FOR FIXED WHEELS	



---

<b>Pos.</b>	<b>Artikel-Nr.</b>	<b>Menge</b>	<b>Variante</b>	<b>Notes</b>
01	4084001148	1	Sterngriff ohne Loch	
01A	4089100357	1	CONTAINER SUPPORT KIT	
02A	4089100358	1	CONTAINER LIFTING KIT	

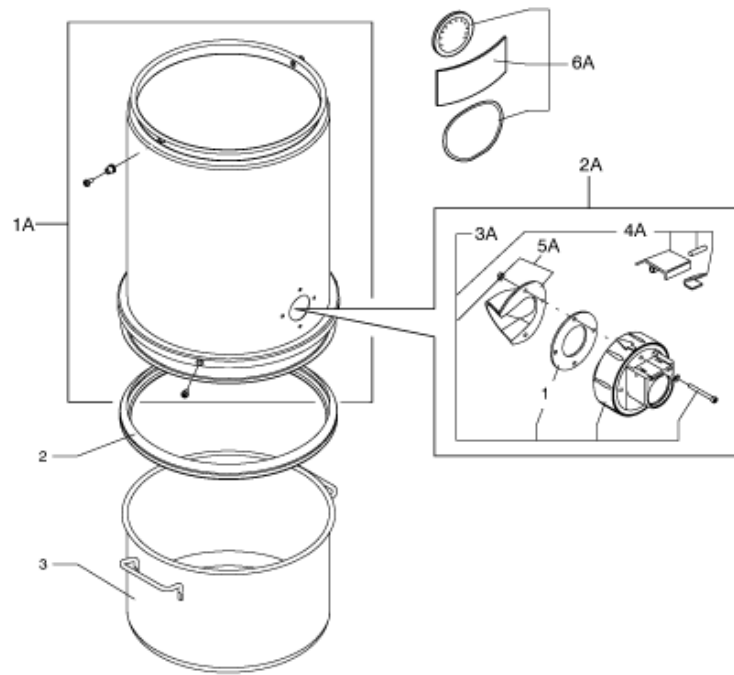




Pos.	Artikel-Nr.	Menge	Variante	Notes
01	4084001146	1	Sterngriff ohne Loch	
01A	4089100359	1	HANDLE KIT	
02	4083000681	1	DIFFUSER CONTAINER D220x142 R9003 M.VHW	
02A	4089100342	1	CARTER TOP CLOSURE KIT	
03	4081701054	1	Schalldämm Kit	
03	Z8 17262	1	Absolutfilter AD VHW360/3VT H14	
03A	4089100333	1	ABSOLUTE FILTER ASSEMBLY KIT	
04	Z58 17088	1	Dichtung Silikon zu CFM	
04A	4089100343	1	BOTTOM CLOSURE COVER KIT	
05	82219800	1	Netzkabelhacken	
05A	4089100459	1	3000 VACUUM GAUGE KIT	
06	4081801246	1	VACUUM GAUGE R9003 BRACKET M.VHW	[1]

## Part Notes:

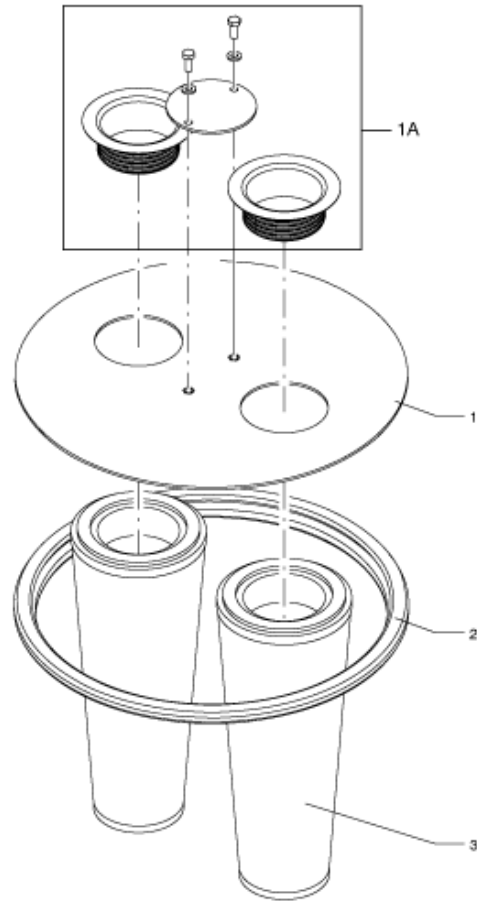
[1] - CONTACT PM IN ZOCCA



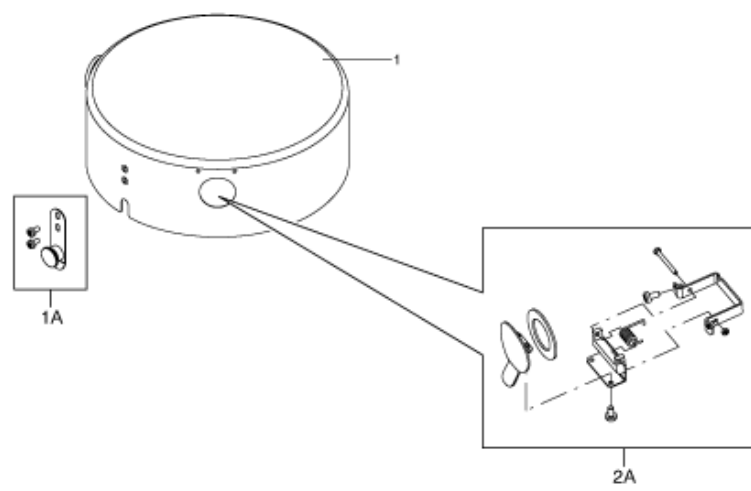
Pos.	Artikel-Nr.	Menge	Variante	Notes
01	Z8 17005	1	Anschlussdichtung D50	
01A	4089100370	1	SS FILTER CHAMBER KIT	[1]
01A	4089100360	1	FILTER CHAMBER KIT	
02	Z8 17226	1	Silikondichtung Nilfisk 3156	
02	Z8 17074	1	Dichtung ¥ 360	
02A	4089100371	1	SS INLET FULL KIT	
02A	4089100361	1	INLET FULL KIT	
03	Z8 30324	1	Kübel D360x235 inox	
03	Z8 30325	1	Container D360x235	
03A	4089100362	1	INLET KIT	
04A	40000320	1	Arretierung f. Kessel-	
05A	4089100372	1	SS DEFLECTOR KIT	
05A	4089100363	1	DEFLECTOR KIT	
06A	4089100364	1	LABEL KIT	[1]

## Part Notes:

[1] - CONTACT PM IN ZOCCA

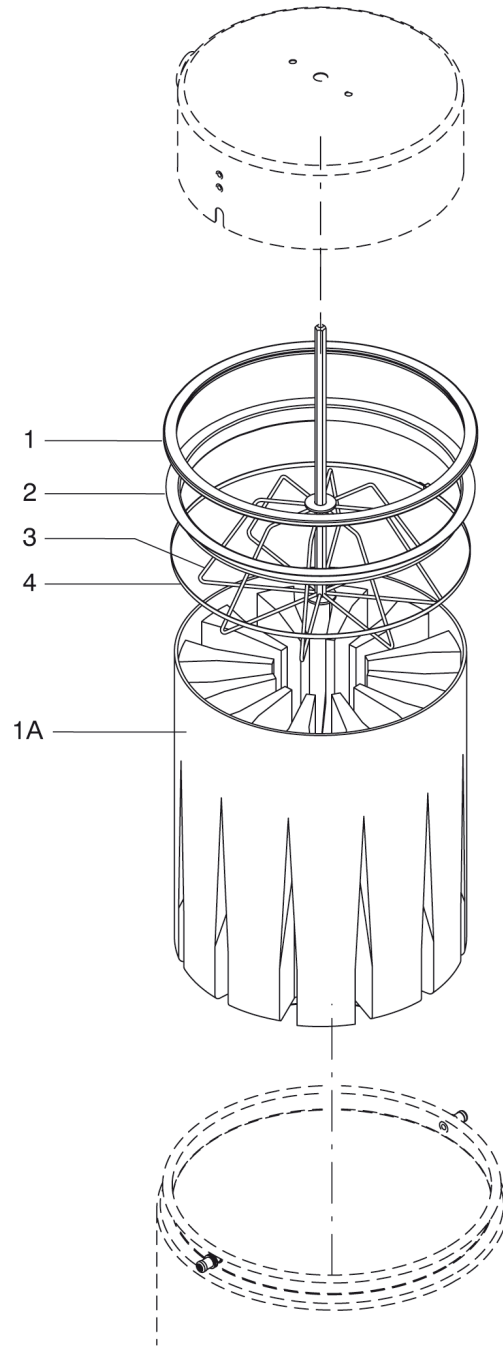


Pos.	Artikel-Nr.	Menge	Variante	Notes
01	4081500226	1	CARTRIDGES CASE DISC FE MOD.VHW320-321	
01	4081500231	1	CARTRIDGES CASE DISC SS MOD.VHW320-321	
01A	4089100365	1	Befestigungskit f. Filter	
01A	4089100368	1	SS FILTER FIXING KIT	
02	4081701040	1	Ringichtung PF D350 SBR NEROM.VHW	
02	4081701041	1	Dichtung D 360 schwarz Nilfisk 3156 / 1	
03	4081701065	1	Filtersatz D120X300 CONIC M PET	



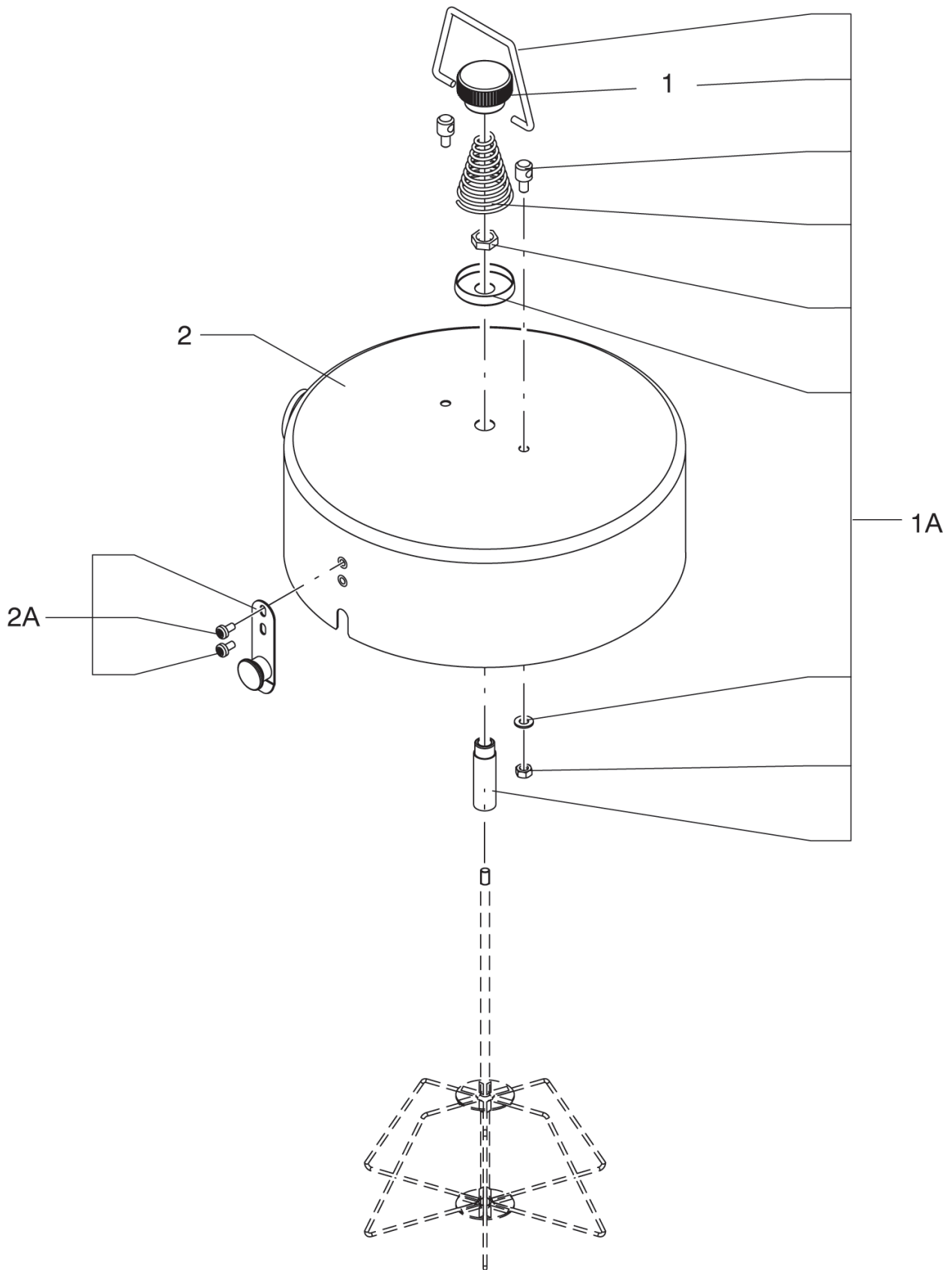
---

<b>Pos.</b>	<b>Artikel-Nr.</b>	<b>Menge</b>	<b>Variante</b>	<b>Notes</b>
01	4083101181	1	COVER D360 R9003 CARTRIDGES M.VHW320-321	
01	4083101187	1	COVER D360 SS CARTRIDGES MOD.VHW320-321	
01A	4089100330	1	CAP CLOSURE LEVER KIT	
02A	4089100366	1	PULLCLEAN KIT	
03A	4089100369	1	SS PULLCLEAN KIT	





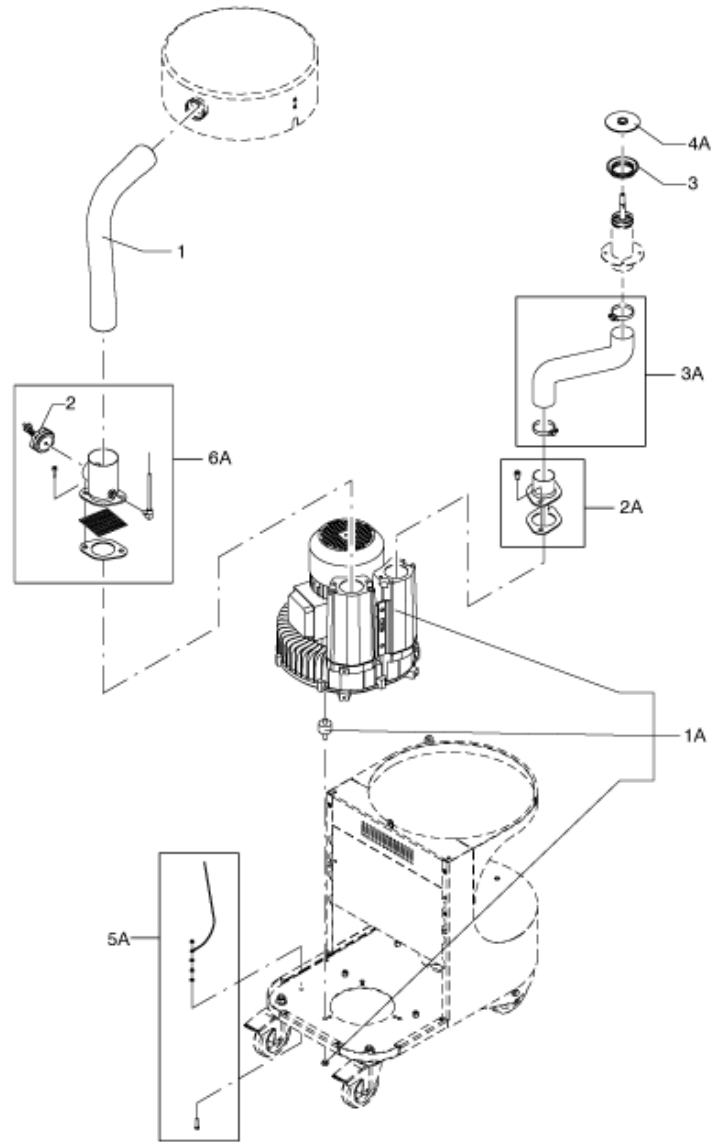
Pos.	Artikel-Nr.	Menge	Variante	Notes
1	4081701040	1	Ringichtung PF D350 SBR NEROM.VHW	
1	4081701041	1	Dichtung D 360 schwarz Nilfisk 3156 / 1	
2	4081500220	1	FILTER HOLDER RING D350 FEMOD.VHW310-311	
2	4081500229	1	FILTER HOLDER RING D350 SSMOD.VHW310-311	
3	8 33071	1	gabbia scuotifiltroSTAR CAGE	
3	8 33075	1	gabbia scuotifiltro inoxSS STAR CAGE	
4	8 18078	1	360MM FILTER HOLDER	
4	4081801385	1	FILTER BLOCK TIE D360 SS AISI304	
1A	40000315	1	Sternfilter Ø360mm Polyester	



---

Pos.	Artikel-Nr.	Menge	Variante	Notes
1	4084001145	1	Sterngriff ohne Loch	
2	4083101132	1	COVER D360 R9003 MAN.SHAKER M.VHW310-311	
2	4083101200	1	COVER D360 SS MAN.SHAKER MOD.VHW310-311	
1A	4089100329	1	FILTER SHAKER KIT	
1A	4089100337	1	Filterrüttler-Kit SS	
2A	4089100330	1	CAP CLOSURE LEVER KIT	

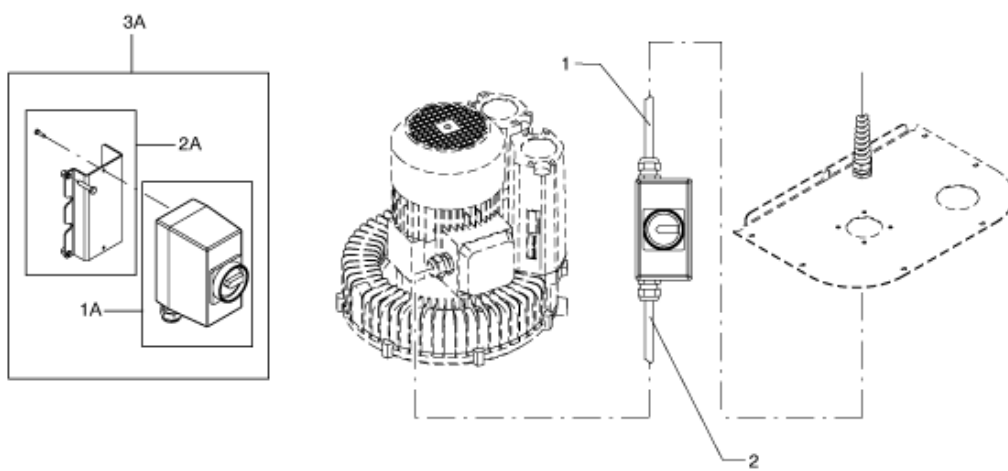
---



Pos.	Artikel-Nr.	Menge	Variante	Notes
01	4082400237	1	HOSE D50 + SLEEVES D50 L750 M.VHW320-321	
01A	4089100331	1	Seitenkanalverdichter 1,5kW VHW360	
02	32400363	1	Unterdrucksicherheits-	
02A	40000326	1	Flansch D50	
03	4084000988	1	LIP SEAL D50 M.WSS-WST	
03A	4089100332	1	PIPE KIT	
04A	4089100367	1	CLAPET KIT	
05A	40000877	1	GROUND CABLE KIT	[1]
06A	4089100338	1	SUCTION CONNECTION KIT	

## Part Notes:

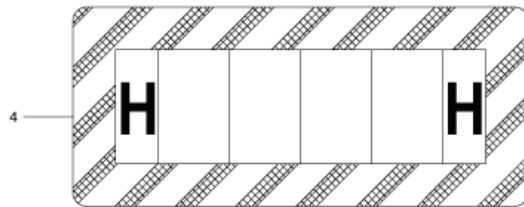
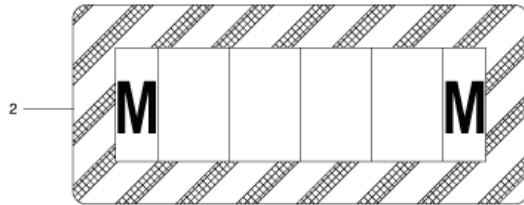
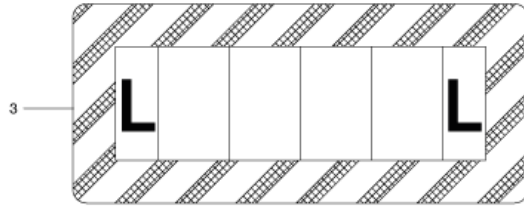
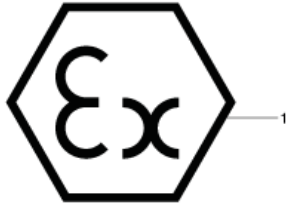
[1] - CONTACT PM IN ZOCCA



Pos.	Artikel-Nr.	Menge	Variante	Notes
01	4089100345	1	5PP POWER CABLE KIT	
01	4089100344	1	POWER CABLE KIT	
01A	4089100339	1	ELECTRIC BOX KIT	[1]
02	Z8 391079	1	Kabel	
02A	4089100340	1	ELECTRIC BOX SUPPORT KIT	[2]
03A	4089100341	1	ELECTRIC BOX PLUS SUPPORT KIT	[1]

## Part Notes:

- [1] - CONTACT PM IN ZOCCA-CHECK EC
- [2] - CONTACT PM IN ZOCCA





---

<b>Pos.</b>	<b>Artikel-Nr.</b>	<b>Menge</b>	<b>Variante</b>	<b>Notes</b>
03	Z8 17550	1	LABEL CATEGORY L	

