

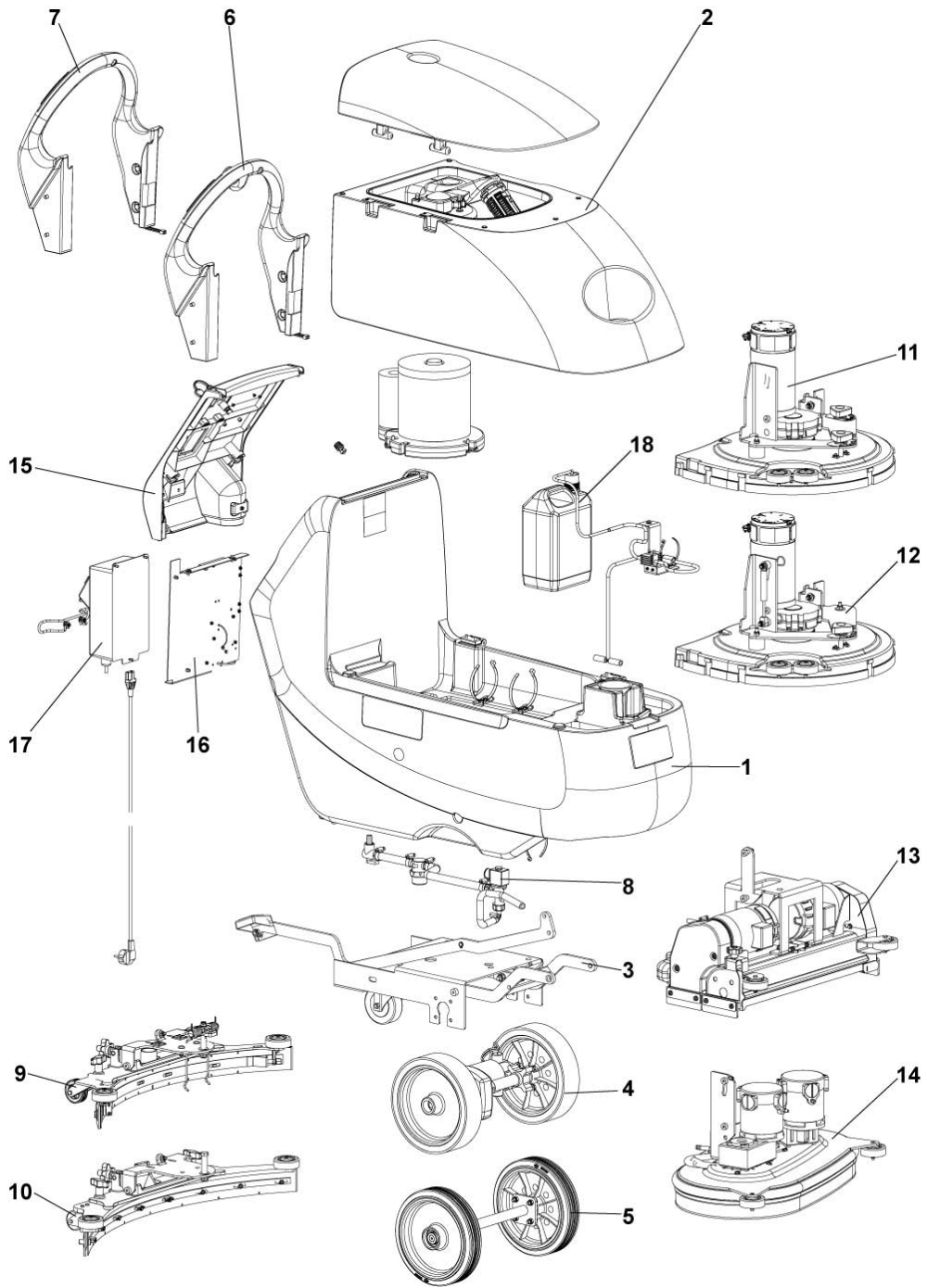
PARTS LIST



2021.08.24

TABLE OF CONTENTS

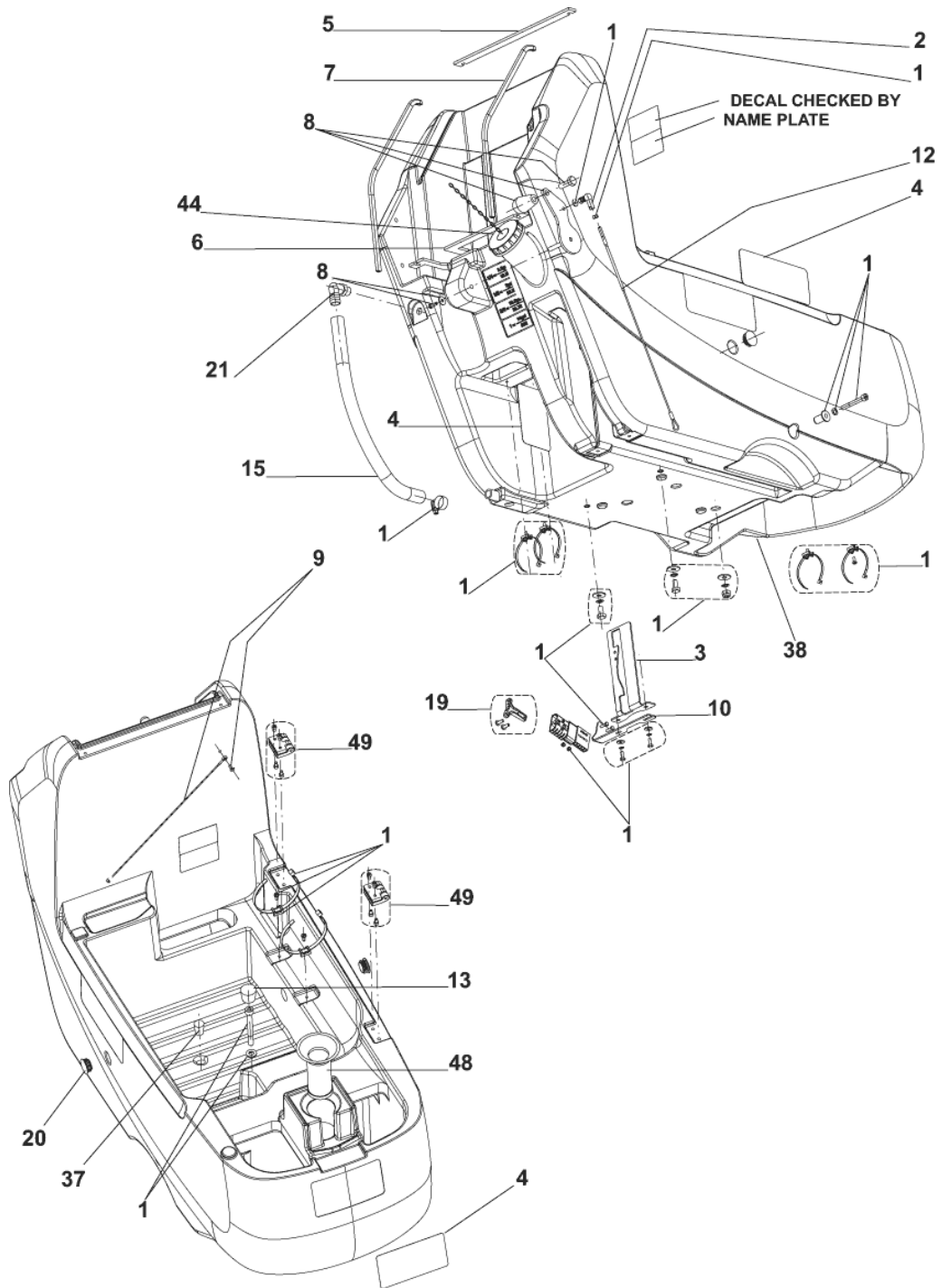
General view	1
Solution tank	3
Recovery tank	5
Chassis system	7
Wheels with - without traction	9
Handle assembly with - without traction	11
Solution system	13
Squeegee system 653B-653BL-651BCL	15
Squeegee system 661BL	17
Brush system 653B	19
Brush system 653BL	21
Brush system 651BCL	23
Brush system 661BL after SN. 082116498	25
Accessories	27
Accessories Extra pressure - Splash guard kits	29
Control panel system	31
Electrical components 653B	33
Electrical components 653BL-651BCL-661BL	35
Accessory: Battery charger	37
Accessories chemical mixing system 653BL-653BL-651BCL-661BL	39
Recommended spare parts	41
Accessories list	44



Pos.	Artikel-Nr.	Menge	Variante	Notes
1		1	Solution tank - use link	[1]
2		1	Recovery tank - use link	[2]
3		1	Chassis system - use link	[3]
4		1	Wheels and traction 653BL, 651BCL, 661BL - use link	[4]
5		1	Wheels system 653B	[5]
6		1	Handle assembly 653BL, 651BCL, 661BL - use link	[6]
7		1	Handle assembly 652B - use link	[7]
8		1	Solution system - use link	[8]
9		1	Squeegee system 653B, 653BL, 651BCL - use link	[9]
10		1	Squeegee system 661BL - use link	[10]
11		1	Brush system 653B - use link	[11]
12		1	Brush system 653BL - use link	[12]
13		1	Cyl. Brush system 651BCL - use link	[13]
14		1	Brush sytem 661BL - use links	[14]
15		1	Control panel system - use link	[15]
16		1	Electrical components - use links	[16]
17		1	Battery charger - use link	[17]
18		1	Chemical mixing system - use link	[18]

Part Notes:

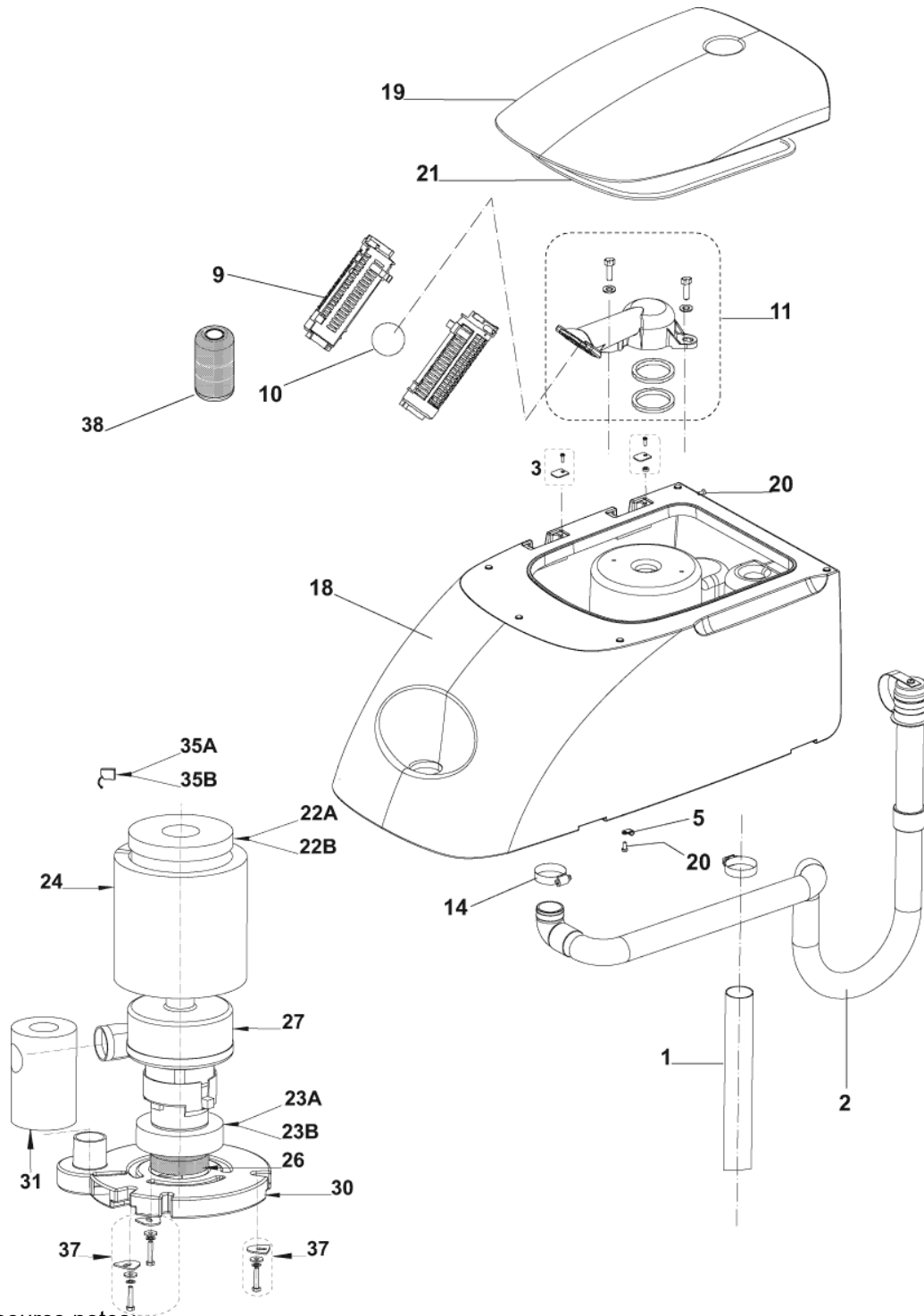
- [1] - SOLUTION TANKSolution tank
- [2] - RECOVERY TANKRecovery tank
- [3] - CHASSIS SYSTEMChassis system
- [4] - WHEELS AND TRACTION 653BL-651BCL-661BLWheels with - without traction
- [5] - WHEELS SYSTEM 653BWheels with - without traction
- [6] - HANDLE ASSEMBLY 653BL-651BCL-661BL
Handle assembly with - without traction
- [7] - HANDLE ASSEMBLY 652BHandle assembly with - without traction
- [8] - SOLUTION SYSTEMSolution system
- [9] - SQUEEGEE SYSTEM 653B-653BL-651BCL
Squeegee system 653B-653BL-651BCL
- [10] - SQUEEGEE SYSTEM 661BLSqueegee system 661BL
- [11] - BRUSH SYSTEM 653BBrush system 653B
- [12] - BRUSH SYSTEM 653BLBrush system 653BL
- [13] - CYL. BRUSH SYSTEM 651BCLBrush system 651BCL
- [14] - BRUSH SYSTEM 661BL
Brush system 661BL after SN. 082116498
Squeegee system 661BL
- [15] - CONTROL PANEL SYSTEMControl panel system
- [16] - ELECTRICAL COMPONENTS
Electrical components 653BAnd Electrical components 653BL-651BCL-661BL
- [17] - BATTERY CHARGERAccessory: Battery charger
- [18] - CHEMICAL MIXING SYSTEMAccessories chemical mixing system 653BL-653BL-651BCL-661BL



Pos.	Artikel-Nr.	Menge	Variante	Notes
00	9098033000	1	GASKET HANDLE BAR	[1]
1	9098265000	1	Befestigungskit	
2	145 8479 000	1	Kugelgelenk M 6-10521	
3	909 6493 000	1	Stütze f. Pedal	
4	9100001521	1	DECALS SCRUB. 651/653/661 B/BL/BCL KIT	[2]
4	9100001571	1	DECALS SCRUBTEC 661 BL COMBI ALTO KIT	[3]
5	909 6596 000	1	Dichtung	
6	909 6597 000	1	Dichtung	
7	909 6892 000	2	Dichtung L960	
8	9097630000	1	Hebel Saugfussanhebung zu BA 451	
9	909 6874 000	1	CABLE TANK KIT	
10	909 6649 000	1	Klammer	
12	9098675000	1	Seil BR 611	
13	909 6673 000	1	Kappe, schwarz	
15	909 6521 000	1	Frischwasserschlauch	
19	9100000885	1	Handgriff	
20	33023302	2	CAP BLACK SIP	
21	9100000771	1	FITTING 90. M 3/8-18 NPT HOSE D.19 PKD	
37	909 6236 000	1	Abdeckung, schwarz	
38	9097012000	1	Frischwassertank 55 Liter	
44	909 6554 000	1	Deckel mit Kette	
48	9097192000	1	Wasserfilter	
49	9098329000	1	Schanier Kit	

Part Notes:

- [1] - STOCK COVERS GUARANTEE NOT SHOWN
- [2] - BRAND Nilfisk-ALTO
- [3] - BRAND ALTO



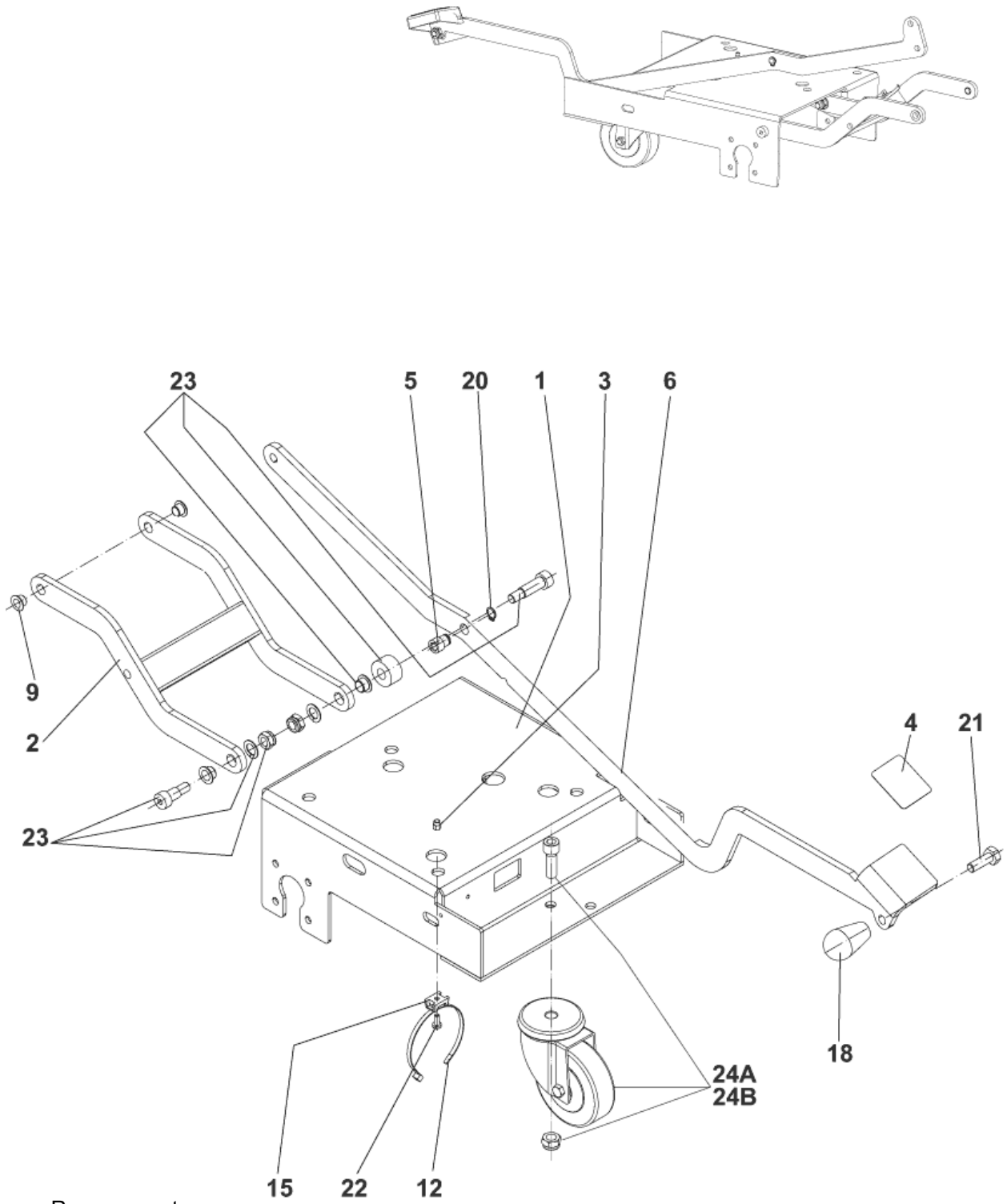
Resource notes:

AFOR MOTOR 9099401000 (AMETEK) BFOR MOTOR 9098062000 (VIPER)

Pos.	Artikel-Nr.	Menge	Variante	Notes
00	909 6876 000	1	Befestigungskit	[1]
1	9099853000	1	Schlauch für Absaugleiste	
2	9100001892	1	Ablassschlauch L.1480MM 90 BLACK PKD	
3	9097654000	1	Tankdeckelkit	
5	L08239900	1	SCHELLE	
9	9100000818	1	CAGE FLOAT HALF 2 PCS SET	
10	9100000817	1	BALL FLOATING PKD	
11	9100001875	1	SUPPORT FLOAT KIT	[2]
14	9100001348	1	CLAMP 14/32-52 10 PCS SET	
18	9097013000	1	Schmutzwassertank	
19	9100002283	1	COVER PLAST. BLUE F TANK 55L SIP	
20	33005124	2	Scharabe M5x12 UNI 7688	
21	909 6901 000	1	Tankdichtung BA	
22A	909 6489 000	1	Dichtung	
22B	9098055000	1	Dichtung zu Motor	[3]
23A	909 6490 000	1	Dichtung	
23B	9097555000	1	Dichtung	
24	909 6491 000	1	Panel, schalldämpfend	
26	909 6672 000	1	Filter	
27	9099401000	1	Saugmotor	
30	9100001246	1	COVER VACUUM MOTOR PKD	
31	909 6442 000	1	Geräuschdämmung f.	
35A	909 5371 000	2	Kohlebürste	
35B	ZD53501A	1	Kohlebürsten für Saugermo	
37	909 6877 000	1	Motor Befestigungskit	
38	909 5065 000	1	Filter antischaum	[4]

Part Notes:

- [1] - due to ODM/ECN 2810 should have been considered valid for all
Machine configurations which were using it ONLY Before Serial Number 081813772 (Beginning of May 2008).
GUARANTEE DATE EXPIRED
- NOT SHOWN - FOR OLD TYPE CAGE SUP.FIXING
- [2] - SEE INST. INSTR. 9100001876
- [3] - STOCK COVERS GUARANTEE
- [4] - OPTIONAL - SE TSB IT 2008-002



Resource notes:

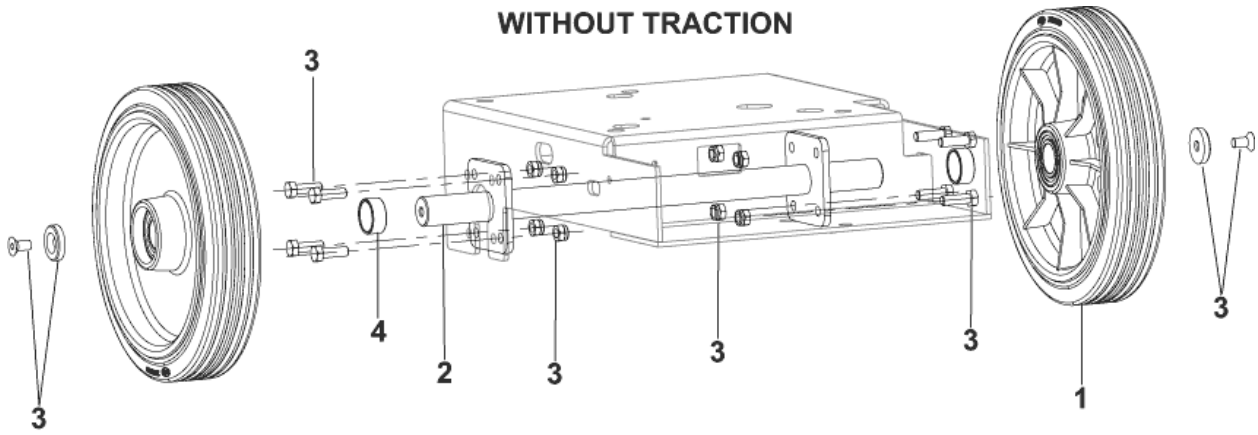
AONLY FOR SCRUBBER WITH DRIVE BONLY FOR SCRUBBER WITHOUT DRIVE

Pos.	Artikel-Nr.	Menge	Variante	Notes
1	909 6481 000	1	Chassis 55 LT	
2	909 6486 000	1	Hebel	
3	145 6132 000	1	INSERT M5	
4	909 6539 000	1	Antirutsch-Belag	
5	909 6540 000	1	Buchse	
6	9100001782	1	PEDAL BRUSH LIFTING SIP	
9	909 6594 000	3	Buchse	
12	1466344000	1	TIE CABLE 4.8X200 BLACK 10 PCS SET	
15	909 6595 000	1	Befestigungsset BR 611	
18A	909 6621 000	1	Knopf BR 611	
20	33006051	1	Ring D12	
21A	33004010	1	Schraube	
22	909 6337 000	1	Schraube M5 x 12	
23	909 6878 000	1	Satz Befestigungsteile	
24	9098947000	1	Lenkrollen-Set	[1]
24A	909 6880 000	1	Lenkrolle-Set	
24B	909 6880 000	1	Lenkrolle-Set	
25	9100000335	1	Befestigungs Set, antistatisch	[2]

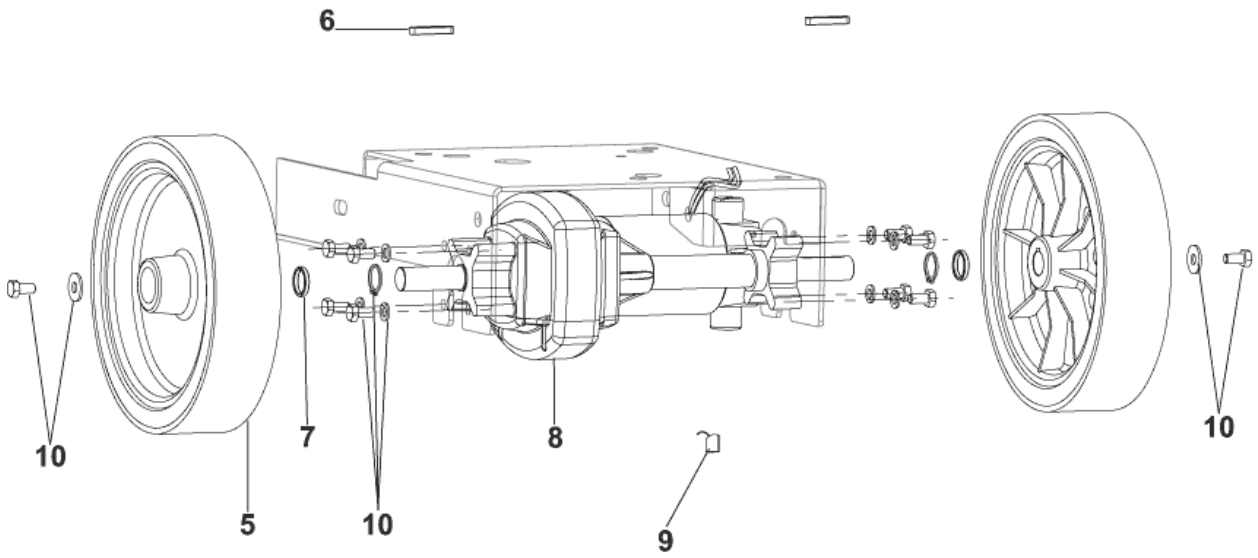
Part Notes:

- [1] - OPTIONAL
- [2] - NOT SHOWN

WITHOUT TRACTION



WITH TRACTION

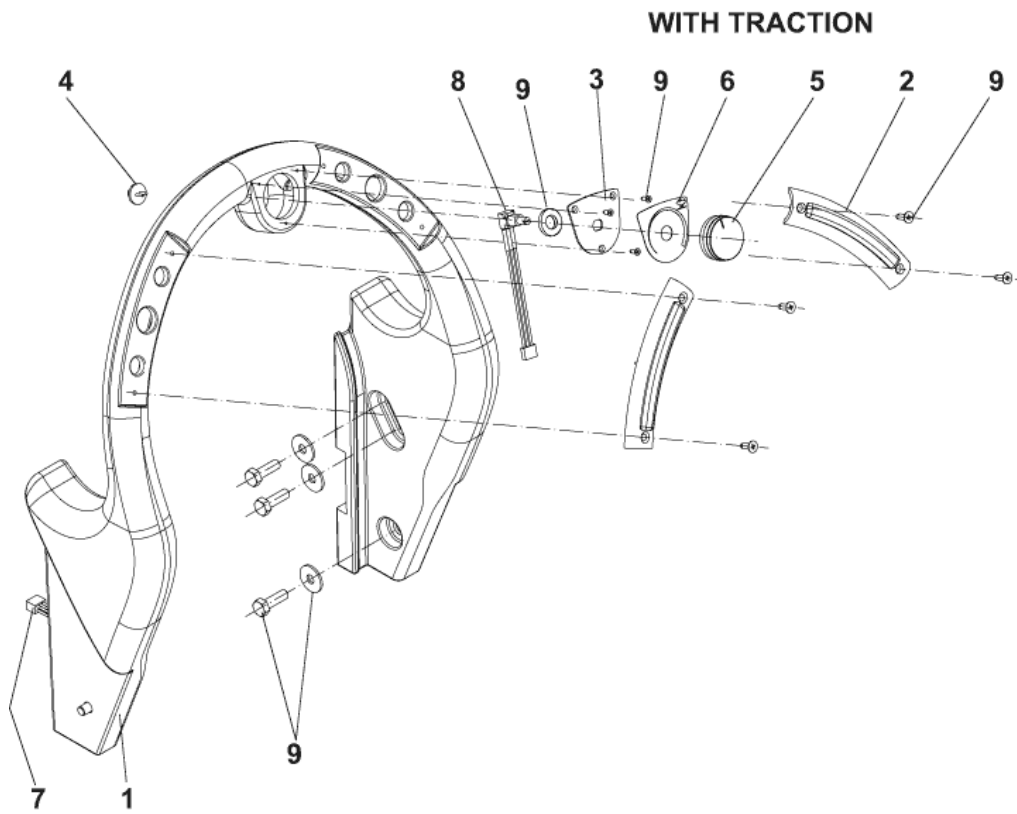
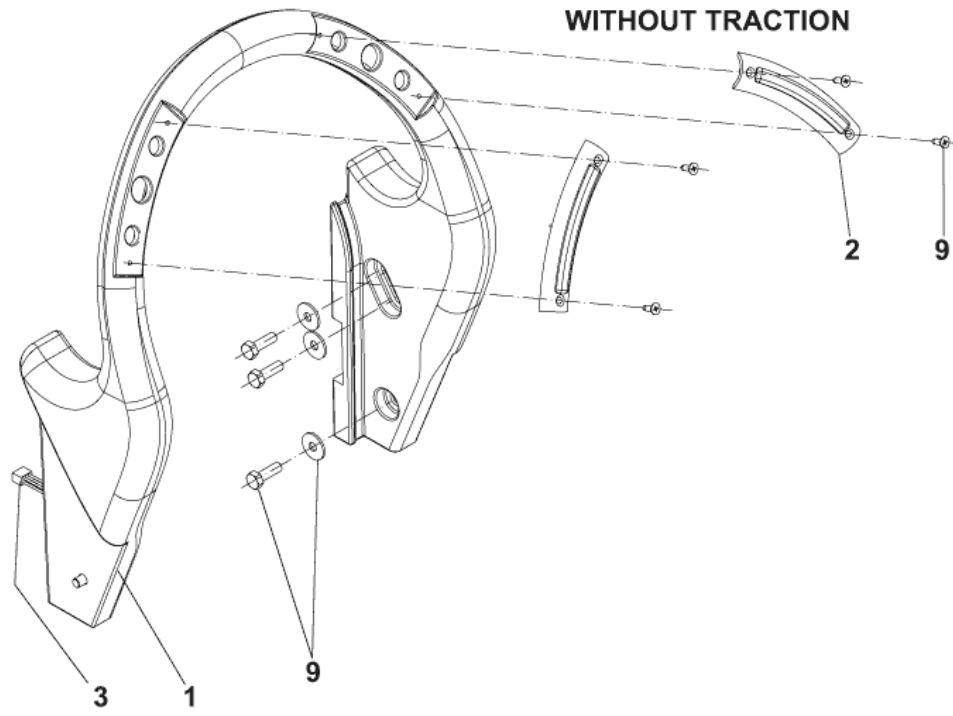


Pos.	Artikel-Nr.	Menge	Variante	Notes
1	9097085000	2	Vorderrad D.250,	
2	9100002135	1	SHAFT WHEELS GALV. SIP	
3	9098299000	1	Radbefestigungskit	
4	9098452000	1	HARDWARE WHEELS SYSTEM KIT	
5	9099691000	1	Radkit (only Wheels)	
5	9097026000	2	Antriebsrad	[1]
6	146 0769 000	2	Keil BA 451 6x6x40	
7	9100001161	1	SPACER 20.5X25X4 10 PCS SET	
8	909 6548 000	1	Motor 200 W 24V	
9	145 5124 000	2	Kohlenbürste BA 650S	
10	9098298000	1	Befestigungs-Kit f.	

Part Notes:

[1] - ITEM NO LONGER AVAILABLE

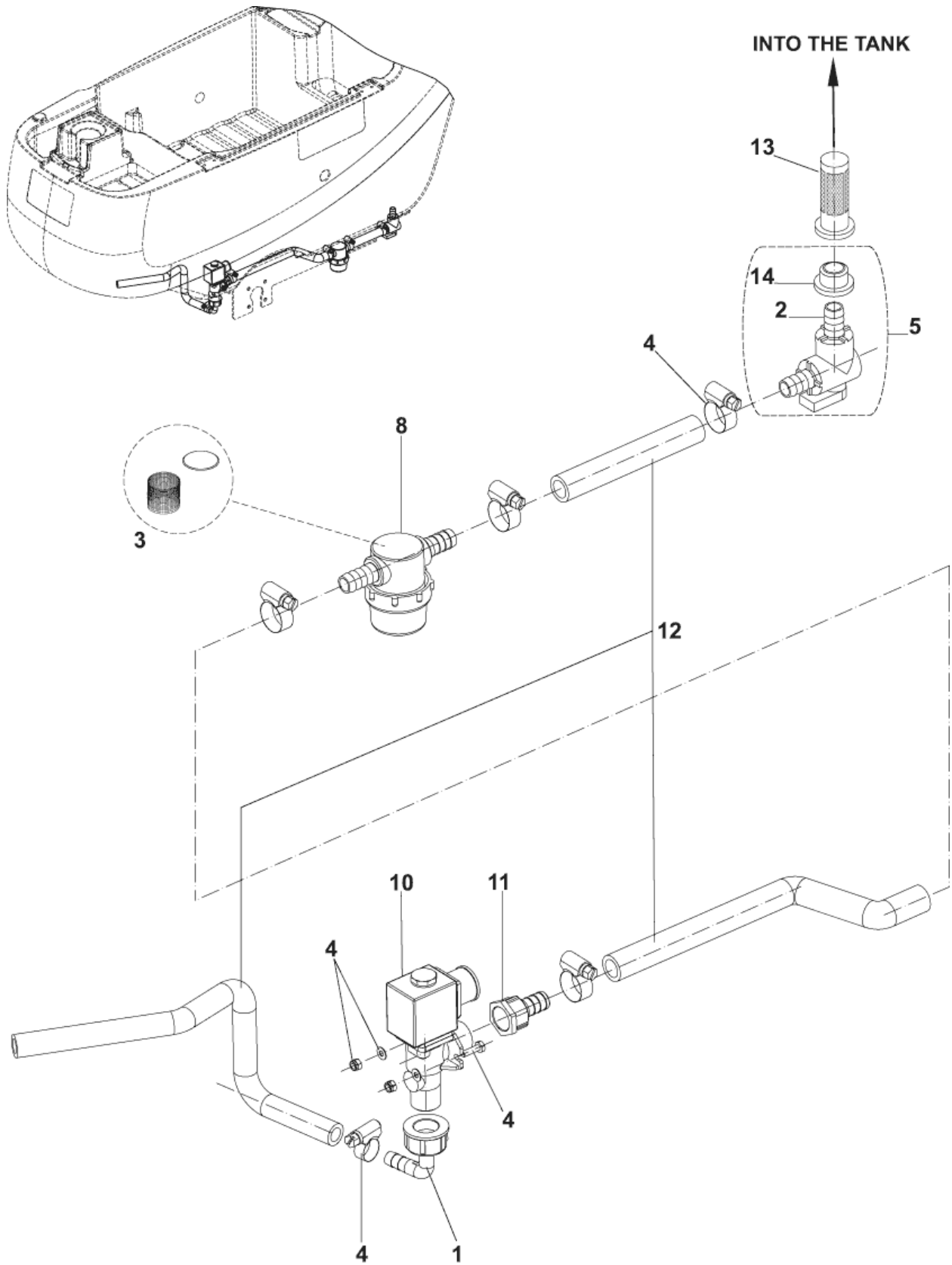
OPTIONAL



Pos.	Artikel-Nr.	Menge	Variante	Notes
1	9097021000	1	HANDLE BAR PLASTIC	[1]
1	9097018000	1	Lenkstange	[2]
2	9100000467	1	Schalter komplett gelb f	[3]
3	9097031000	1	Platte für Potentiometer	[2]
3	9097036000	1	Kabelbaum, Lenker	[4]
4	9097153000	1	Drehzahlumschalter	[3]
5	9098484000	1	Knopf	[5]
6	9097071000	1	Aufkleber Antischlupf	[5]
7	9097035000	1	Kabelbaum Gelenkachse	[5]
8	9097043000	1	Potenziometer	[5]
9	9098330000	1	Bediengriff-Set Maschine	

Part Notes:

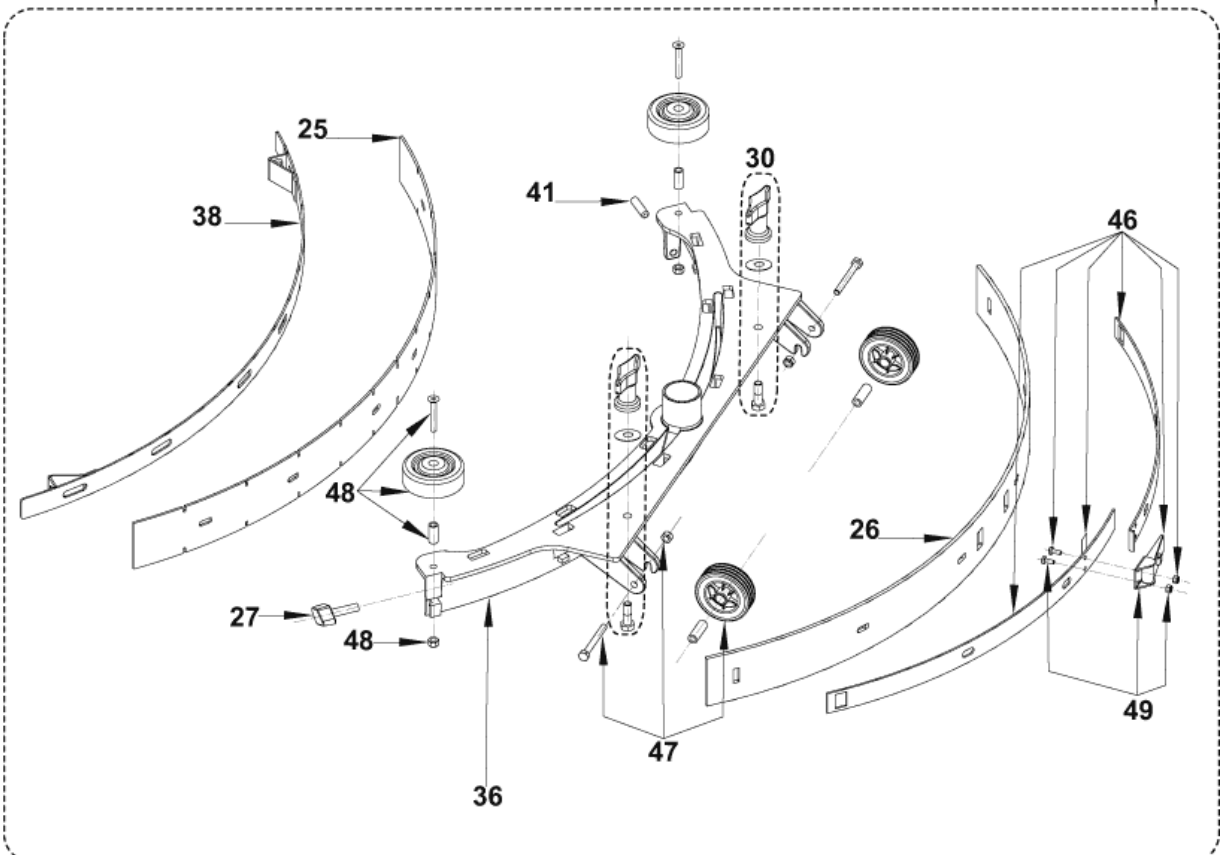
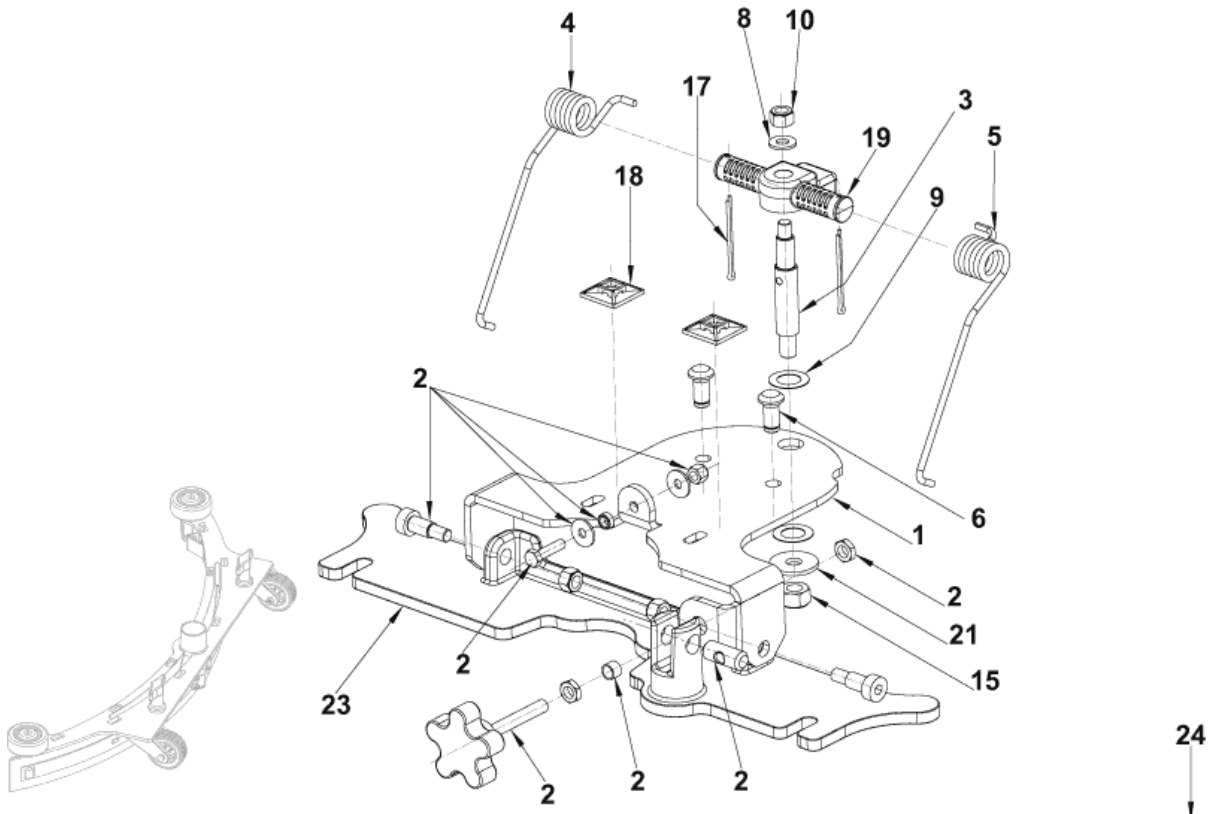
- [1] - SCRUBTEC 653 B
STOCK COVERS GUARANTEE
- [2] - SCRUBTEC 653 BL - 651 BCL - 661 BL
STOCK COVERS GUARANTEE
- [3] - SCRUBTEC 653B - 653 BL - 651 BCL - 661 BL
- [4] - SCRUBTEC 653 B
- [5] - SCRUBTEC 653 BL - 651 BCL - 661 BL



Pos.	Artikel-Nr.	Menge	Variante	Notes
1	9098777000	1	Schlauchwinkel 10/90	
2	9100000803	1	VALVE ELBOW PKD	
3	L08603893	1	Frischwasserfilter mitDichtung zu BA 430	
4	9098301000	1	Hardware Solution System	
5	9097626000	1	Winkelventilkit	
8	9097154000	1	Filter-Kit, kpl.	
10	909 6555 000	1	Magnetventil 24 V	
11	9100002148	1	BARB HOSE STRAIGHT 1/2 D.13 PLAST. KIT	
12	9097171000	1	PIPES SOLENOID VALVE KIT	
13	9100001353	1	FILTER SOLUTION TANK PKD	[1]
14	909 5286 000	1	Dichtung BA 430S	

Part Notes:

[1] - OPTIONAL



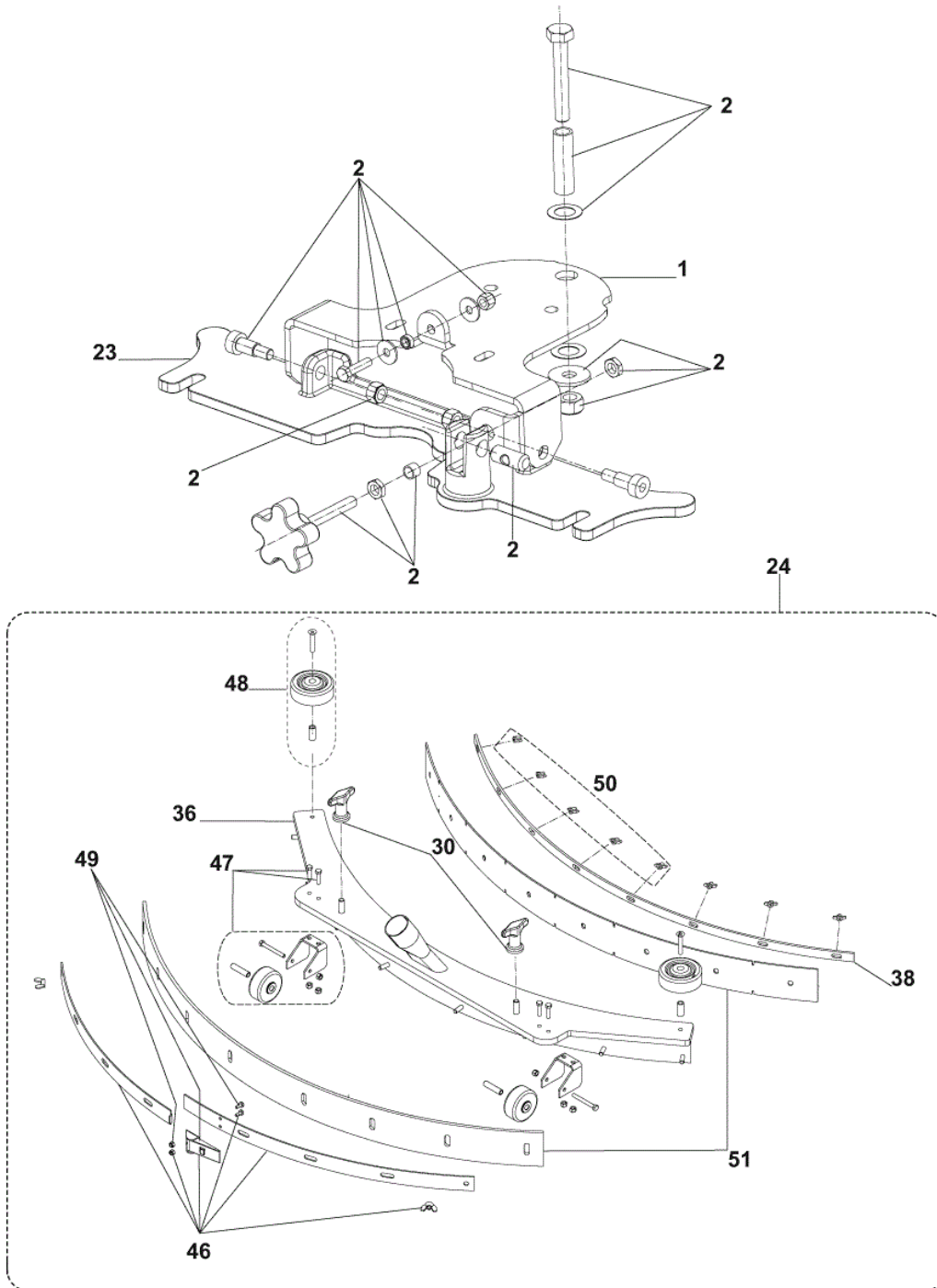
Resource notes:

POSITIONS 25-26: 909 6483 000 - 909 6484 000 included in the kit 909 6860 000

Pos.	Artikel-Nr.	Menge	Variante	Notes
00	9097548000	1	Nylonscheibe BA 451	[1]
1	909 6494 000	1	Halterung f. Aufnahme	
2	909 6885 000	1	Gummilippenhalter Kit	
3	909 6497 000	1	Bolzen	
4	909 6537 000	1	Feder	
5	909 6538 000	1	Feder	
6	909 6543 000	2	Bolzen	
8	33023208	1	WASHER M8 UNI6592 10 PCS SET	
9	L08238300	2	SCHEIBE 25X3X15 POLYAMID	
10	33023574	1	NUT LOCK HEX M8 ISO10511 PCS 10 SET	
15	33005608	1	Mutter M10 UNI7474	
17	33005758	2	Splint	
18	909 6635 000	2	Halteplatte	
19	9100000515	1	SUPPORT SQUEEGEE SPRING PKD	
21	L08604251	1	Scheibe 10,5 vz	
23	909 6045 000	1	Saugfusshalter	
24	909 6851 000	1	Saugfuß Kit komplett	
25	9100000279	1	Sauglippen-Set, 740 mm, 29"	
27	9100000791	1	KNOB M8X30 THD STUD SS PKD	
30	9097637000	1	BefestigungsKit BA 551	
36	909 6044 000	1	Saugbalken	
38	909 6055 000	1	Halteband f. Gummilippe	
41	909 6600 000	1	Schraube M8X30 UNI5929 SS	
46	909 6882 000	1	BefestigungsKit	
47	909 6883 000	2	Stützrad zu BA 451	
48	909 6884 000	2	Abweisrollenkit BA 451	
49	909 6394 000	1	Verschluss BA 451	

Part Notes:

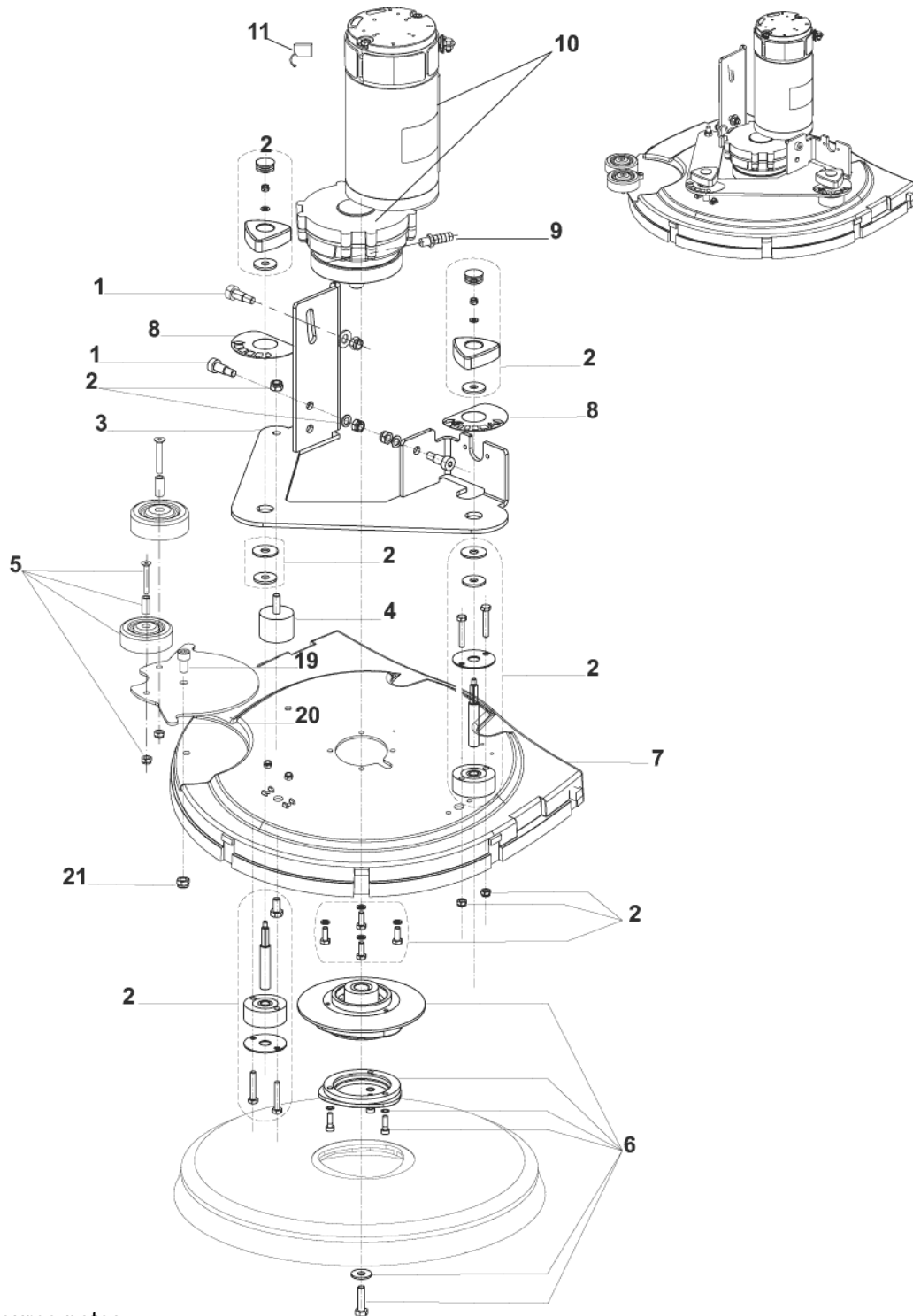
[1] - NOT SHOWN - SEE IT 2007-031



Pos.	Artikel-Nr.	Menge	Variante	Notes
1	909 6494 000	1	Halterung f. Aufnahme	
2	9098527000	1	Befestigungskit	
23	909 6045 000	1	Saugfusshalter	
24	909 5372 000	1	Saugfuss kompl. BA 610	
25	909 5629 000	1	Sauglippe vorne	[1]
30	9097637000	1	Befestigungskit BA 551	
36	9100000962	1	SQUEEGEE 830MM 33 METAL SIP	
38	L08603831	1	Leiste vorne SaugfussBA 650S	
46	909 6894 000	1	Befestigungskit Abzieher-	
47	9100000573	2	WHEEL SQUEEGEE KIT	
48	L08603880	2	Abweissrollen-Kit A 430S	
49	909 6394 000	1	Verschluss BA 451	
50	909 6356 000	2	Flügelmutter Kit	
51	9100000280	1	Sauglippen-Set, 840 mm, 33"	[2]

Part Notes:

- [1] - OPTIONAL
 [2] - INCLUDES POS.25-26

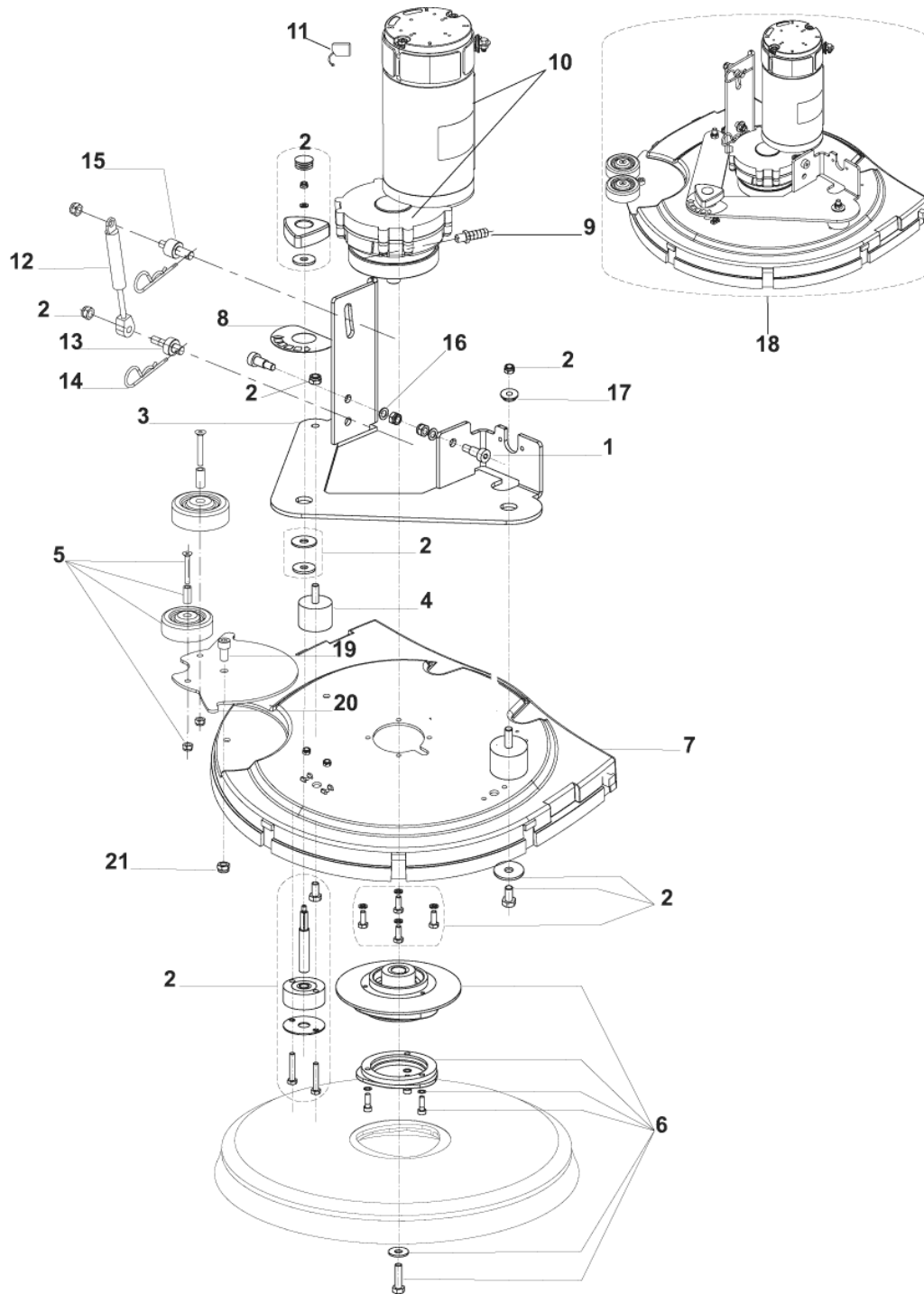


Resource notes:

Pos.	Artikel-Nr.	Menge	Variante	Notes
00	9097599000	1	Motorschutz Kit	[1]
1	9100001160	3	SCREW SHOUL 10X16 M8 ISO7379 10 PCS SET	
2	9099419000	1	Befestigungskit f.	
3	909 6485 000	1	Aufnahme	
4	9100000868	1	VIBRATION DAMPING M8 60SH 2 PCS SET	
5	909 6355 000	2	Abweisrollenkit BR 601	
6	9097093000	1	Polygonalhalter-Kit	
7	9097078000	1	Bürstenabdeckung schwarz	
8	9100001521	1	DECALS SCRUB. 651/653/661 B/BL/BCL KIT	
9	L08601624	1	Schlauchnippel 1/4 x 10	
10	9098308000	1	Bürstenmotor 450 W 24V	[2]
10	1466147000		KEY 5X5X20 UNI6604A PKD	[3]
11	909 5380 000	1	Kohlebürste Kit	[4]
11	9098674000	1	CARBON BRUSHES KIT 4 PCS	[5]
11	9098376000	1	CARBON BRUSHES KIT 4 PCS	[6]
19	32400530	1	SCREW M8X16 BUTTON HD HEX SS ISO7380	
20	909 6887 000	1	Abweisrollenkit	
21	145 0452 000	1	NUT SELFLOCKING LOW M8 UNI7474 SS	

Part Notes:

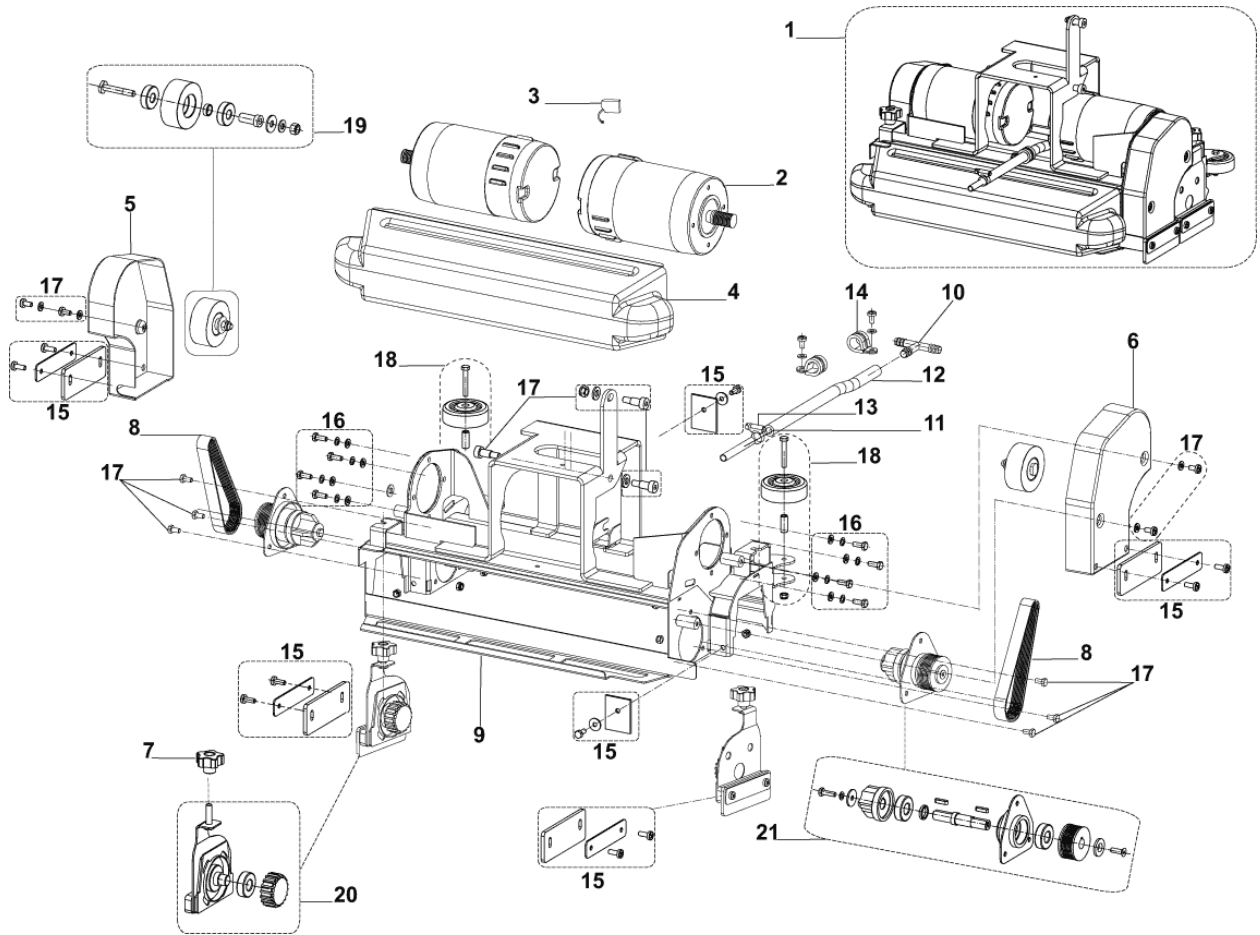
- [1] - SEE TSB-FC-2015-035
- NOT SHOWN - OPTIONAL - INST.INSTR. 9097600000 FOR 909 6546 000 - SEE TSB IT 2008-014
- see TSB FC 2015-035 (COMING SOON)
- [2] - STARTING FROM SN 101712160
- [3] - NOT SHOWN - ALREADY INCLUDED IN REDUCTION GEARMOTOR
- [4] - FOR REDUCTION GEARMOTOR 909 6546 000 (LEROY SOMER)
STOCK COVERS GUARANTEE
- [5] - FOR REDUCTION GEARMOTOR 9098352000 (VIPER)
- [6] - FOR REDUCTION GEARMOTOR 9098308000 (AMER)



Pos.	Artikel-Nr.	Menge	Variante	Notes
00	9097599000	1	Motorschutz Kit	[1]
1	9100001160	2	SCREW SHOUL 10X16 M8 ISO7379 10 PCS SET	
2	9099419000	1	Befestigungskit f.	
3	909 6485 000	1	Aufnahme	
4	9100000868	1	VIBRATION DAMPING M8 60SH 2 PCS SET	
5	909 6355 000	2	Abweisrollenkit BR 601	
6	9097093000	1	Polygonalhalter-Kit	
7	9097078000	1	Bürstenabdeckung schwarz	
8	9100001521	1	DECALS SCRUB. 651/653/661 B/BL/BCL KIT	
9	L08601624	1	Schlauchnippel 1/4 x 10	
10	9098308000	1	Bürstenmotor 450 W 24V	[2]
10	1466147000		KEY 5X5X20 UNI6604A PKD	[3]
11	909 5380 000	1	Kohlebürste Kit	[4]
11	9098376000	1	CARBON BRUSHES KIT 4 PCS	[5]
12	909 5637 000	1	Gasdruckfeder BA 410	
13	909 6516 000	1	Pin unten	
14	1467692000	1	PIN SPRING COTTER 3X56 GALV. 2 PCS SET	
15	909 6515 000	1	Bolzen	
16	33023224	2	WASHER PLAIN M10 ISO7089 10 PCS SET	
17	909 6513 000	1	Flanschbuchse	
18	9097177000	1	Bürstendeck-Set 530 mm/21"	
19	32400530	1	SCREW M8X16 BUTTON HD HEX SS ISO7380	
20	909 6887 000	1	Abweisrollenkit	
21	145 0452 000	1	NUT SELFLOCKING LOW M8 UNI7474 SS	

Part Notes:

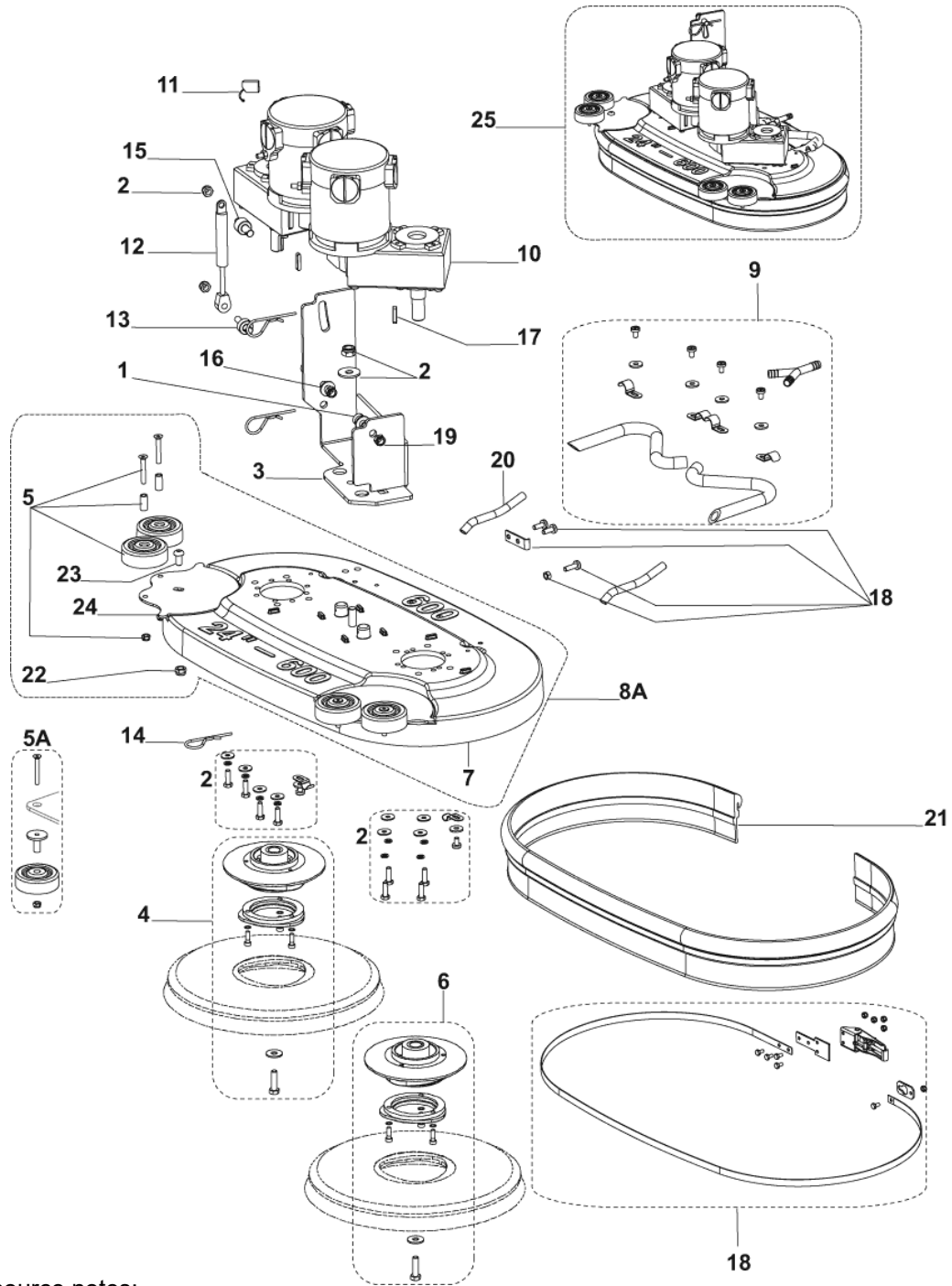
- [1] - SEE TSB-FC-2015-035
- NOT SHOWN - OPTIONAL - INST.INSTR. 9097600000 FOR 909 6546 000 - SEE TSB IT 2008-014
- see TSB FC 2015-035 (COMING SOON)
- [2] - STARTING FROM SN 093819232
- [3] - NOT SHOWN - ALREADY INCLUDED IN REDUCTION GEARMOTOR
- [4] - FOR REDUCTION GEARMOTOR 909 6546 000 (LEROY SOMER)
STOCK COVERS GUARANTEE
- [5] - FOR REDUCTION GEARMOTOR 9098308000 (AMER)



Pos.	Artikel-Nr.	Menge	Variante	Notes
00	909 6620 000	1	Kabelbaum f. Bürstendeck	[1]
1	909 6854 000	1	Bürstendeck-Set zyl., 510 mm, 20"	
2	9096997000	2	Getriebemotor	
3	1464432000	2	Kohle Kit 4 Stück	[2]
4	909 5805 000	1	Schmutzbehälter	
5	909 5818 000	1	Abdeckung, links	
6	909 5817 000	1	Abdeckung, rechts	
7	9100002017	2	KNOB M8 SIP	
8	909 5820 000	2	Riemen BA 551	
9	909 6518 000	1	Grundrahmen C-Deck	
10	145 4366 000	1	HOLDER RUBBER T D.12	
11	909 5772 000	1	HOSE COPPER	
12	909 5870 000	1	Schlauch	
13	33023593	1	Schlauchbriede 8-16/9 DIN3017, 2 St.	
14	909 5516 000	2	CLAMP HOSE D.18	
15	9098489000	1	Seitengummi	
16	9098490000	1	Schrauben-Kit	
17	9098491000	1	Schrauben-Kit	
18	9098488000	1	ROLLERS BUMPERS KIT	
19	9098485000	2	BELT TENSIONER KIT	
20	9098486000	2	SUPPORT CYL.BRUSH KIT	
21	9098487000	2	SUPPORT PULLEY CYL.BRUSH	

Part Notes:

- [1] - NOT SHOWN
 [2] - 1 kit (incl.4 brushes) needed for each motor

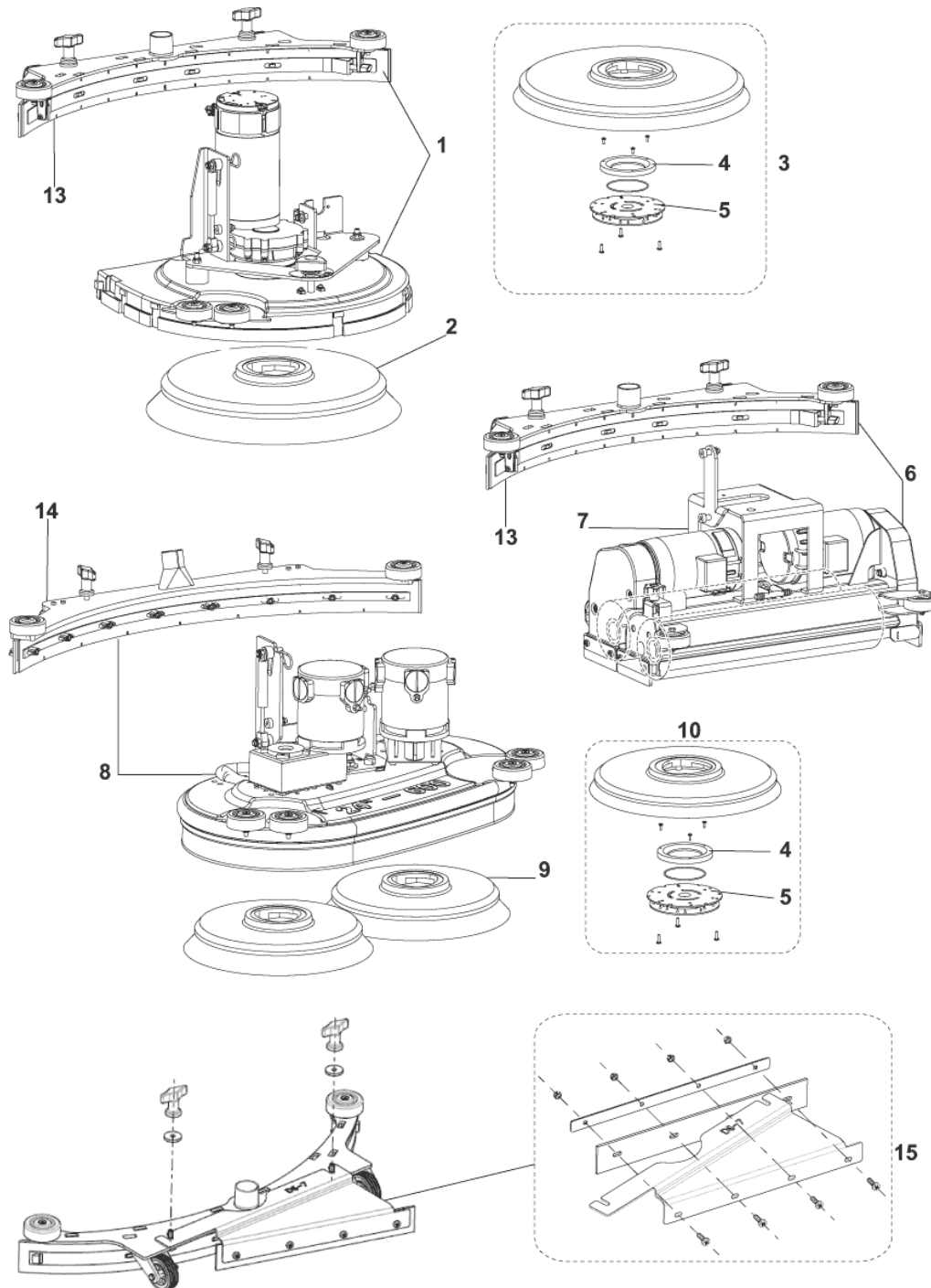


Resource notes:

Pos.	Artikel-Nr.	Menge	Variante	Notes
00	909 6619 000	1	Kabelbaum f. Bürstendeck	[1]
00	9100001521	1	DECALS SCRUB. 651/653/661 B/BL/BCL KIT	[1]
1	9100001160	3	SCREW SHOUL 10X16 M8 ISO7379 10 PCS SET	
2	9098496000	1	BefestigungsKit f.	
3	909 6512 000	1	Klammer f. Bürstendeck	
4	L08812589	1	Polygonaufnahme kpl.	[2]
5	909 6355 000	4	Abweisrollenkit BR 601	
5A	909 5894 000	2	Abweisrollenkit BA 650750 / 600 S	[3]
6	9097093000	1	Polygonhalter-Kit	[4]
7	9097083000	1	DECK BRUSH BLACK 600 MM	
8A	9097690000	1	Bürstendeck-Set 600 mm, 24"	[3]
9	909 6891 000	1	YpsilonSet BA 611	
10	9100000678	1	REDUCTION GEARMOTOR 350W 24V PKD	
11	909 6893 000	2	KohlenbürsteseT	
12	909 5637 000	1	Gasdruckfeder BA 410	
13	909 6516 000	1	Pin unten	
14	1467692000	2	PIN SPRING COTTER 3X56 GALV. 2 PCS SET	
15	909 6515 000	1	Bolzen	
16	33023224	3	WASHER PLAIN M10 ISO7089 10 PCS SET	
17	1466146000	2	KEY 5X5X25 UNI6604A PKD	
18	909 5398 000	1	Spritzgummihalterungs-KitBA 600S / BA 65	
19	33023574	1	NUT LOCK HEX M8 ISO10511 PCS 10 SET	
20	909 5228 000	2	Wassereinlass	[5]
21	909 5224 000	1	Spritzgummi	
22	145 0452 000	2	NUT SELFLOCKING LOW M8 UNI7474 SS	
23	32400530	2	SCREW M8X16 BUTTON HD HEX SS ISO7380	
24	9097682000	2	BRACKET ROLLER BUMPER	
25	9097179000	1	Bürstendeck-Set 600 mm/24"	

Part Notes:

- [1] - NOT SHOWN
- [2] - right
- [3] - SEE TSB IT 2008-010
- [4] - left
- [5] - GUARANTEE DATE EXPIRED



Resource notes:

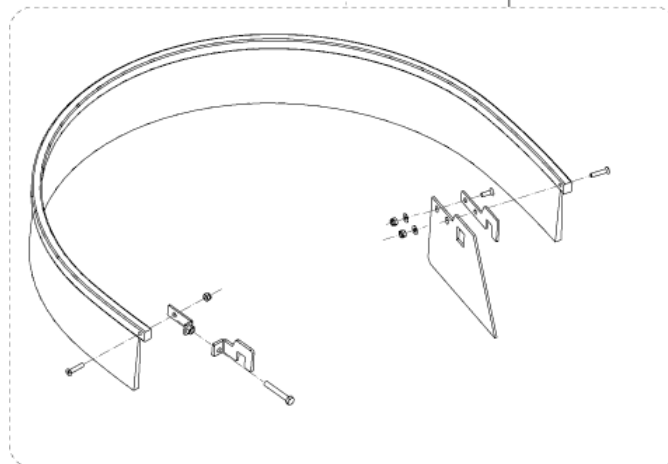
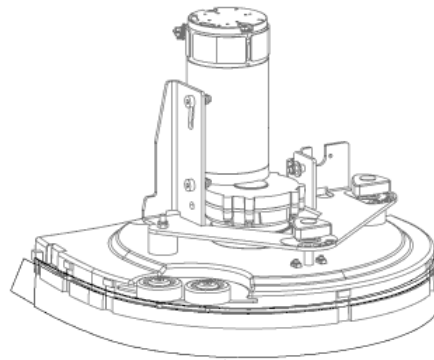
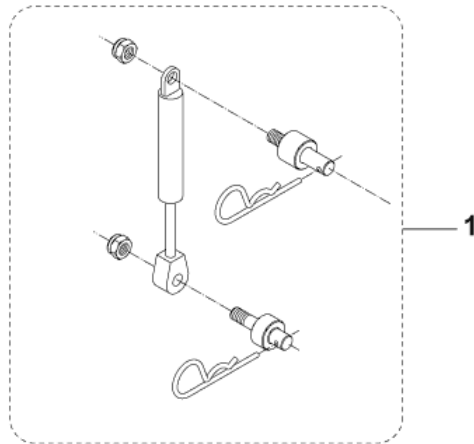
POSITIONS 0: 909 6483 000 - 909 6484 000 included in the kit 909 6860 000
POSITIONS 0: L08603830-
L08603832 included in the kit 9097499000

Pos.	Artikel-Nr.	Menge	Variante	Notes
00	9100000279	1	Sauglippen-Set, 740 mm, 29"	[1]
00	909 6859 000	1	Sauglippenset PU	[1]
00	909 6658 000	1	PLUG PROTECTION PLASTIC	[2]
1	9097181000	1	DECK BRUSH 530MM/21 KIT W.SQU.	
2	L08837025	1	Bürste PPN mittel, 530 mm	
2	L08837027	1	Bürste Union Mix, 530 mm	
2	L08837066	1	Bürste Dyna Grit 80, 530 mm	
2	L08837029	1	Bürste Sica Mid Grit 240, 530mm	
2	L08837065	1	Bürste Magna Grit 46, 530 mm	
2	L08837028	1	Bürste Mid Grit 180, 530 mm	
2	L08837067	1	Schleifkornbürste 21" AGLiteGrit 500	
2	L08837026	1	Bürste PPN weich, 530 mm	
3	L08837018	1	Padhalter m. Padverschluss, 530 mm	
4	L08603966	1	Nylon Ring	
5	56505195	1	Padverschluss m. Spange	
6	909 6849 000	1	Bürstendeck-Set zyl., 510 mm, 20"	
7	909 5823 000	2	Walzenbürste PP 0,4	
7	909 5825 000	2	Walzenbürste abrasiv, PP 0,6	
7	909 5824 000	2	Walzenbürste PP 0,45	
8	9097183000	1	Bürstendeck-Set 610 mm/24"	
9	L08603875	2	Bürste Union Mix, 305 mm, 12"	
9	L08603842	2	Bürste Prolene, mittel, 305 mm, 12 "	
9	L08603872	2	Bürste Mid Grit 180, 305 mm, 12"	
9	L08603873	2	Bürste Mid Grit 240, 305 mm, 12"	
9	L08603874	2	Bürste Prolite, 305 mm, 12 "	
10	9099670000	2	Padhalter Ø 305 mm, 12"	
13	L08603878	1	Saugfuss kompl. BA 430 S	
13	909 6851 000	1	Saugfuß Kit komplett	
14	909 5372 000	1	Saugfuss kompl. BA 610	
15	9098343000	1	3 er SeitenbesenCA / BA 451/531/551/611	[3]

Part Notes:

- [1] - NOT SHOWN
- [2] - GUARANTEE DATE EXPIRED
- [3] - INST.INSTR.9098337000

**EXTRA PRESSURE KIT
(SCRUBTEC 653 B)**

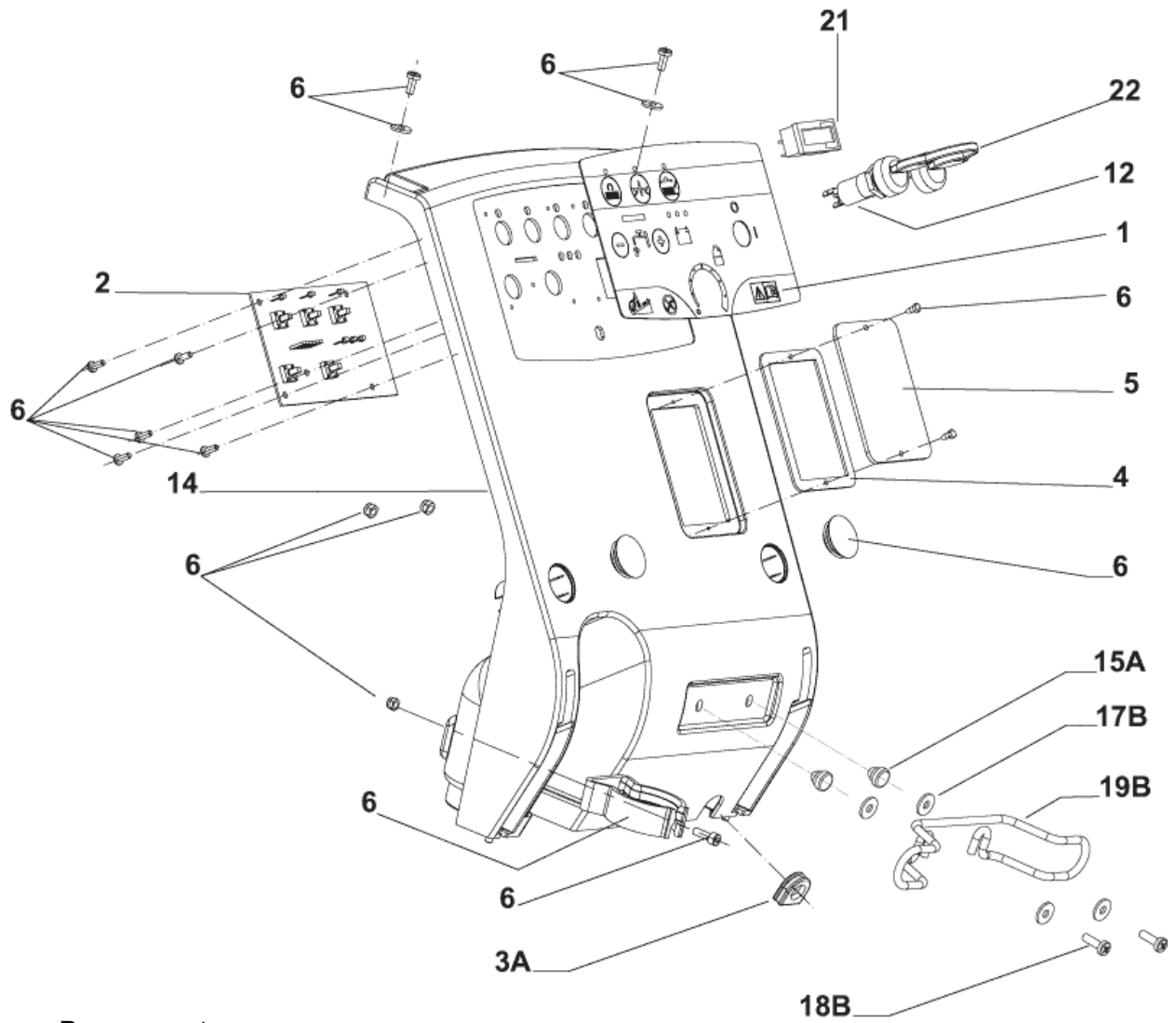


**SPLASH GUARD 20" KIT
(SCRUBTEC 653 B - SCRUBTEC 653 BL)**

Pos.	Artikel-Nr.	Menge	Variante	Notes
1	9097186000	1	Anpressdruck-Set 20 kg	[1]
2	909 6736 000	1	Spritzschutz BA 531-551	[2]

Part Notes:

- [1] - SEE INST. INSTR. 909 6759 000
- [2] - SEE INST. INSTR. 909 6745 000



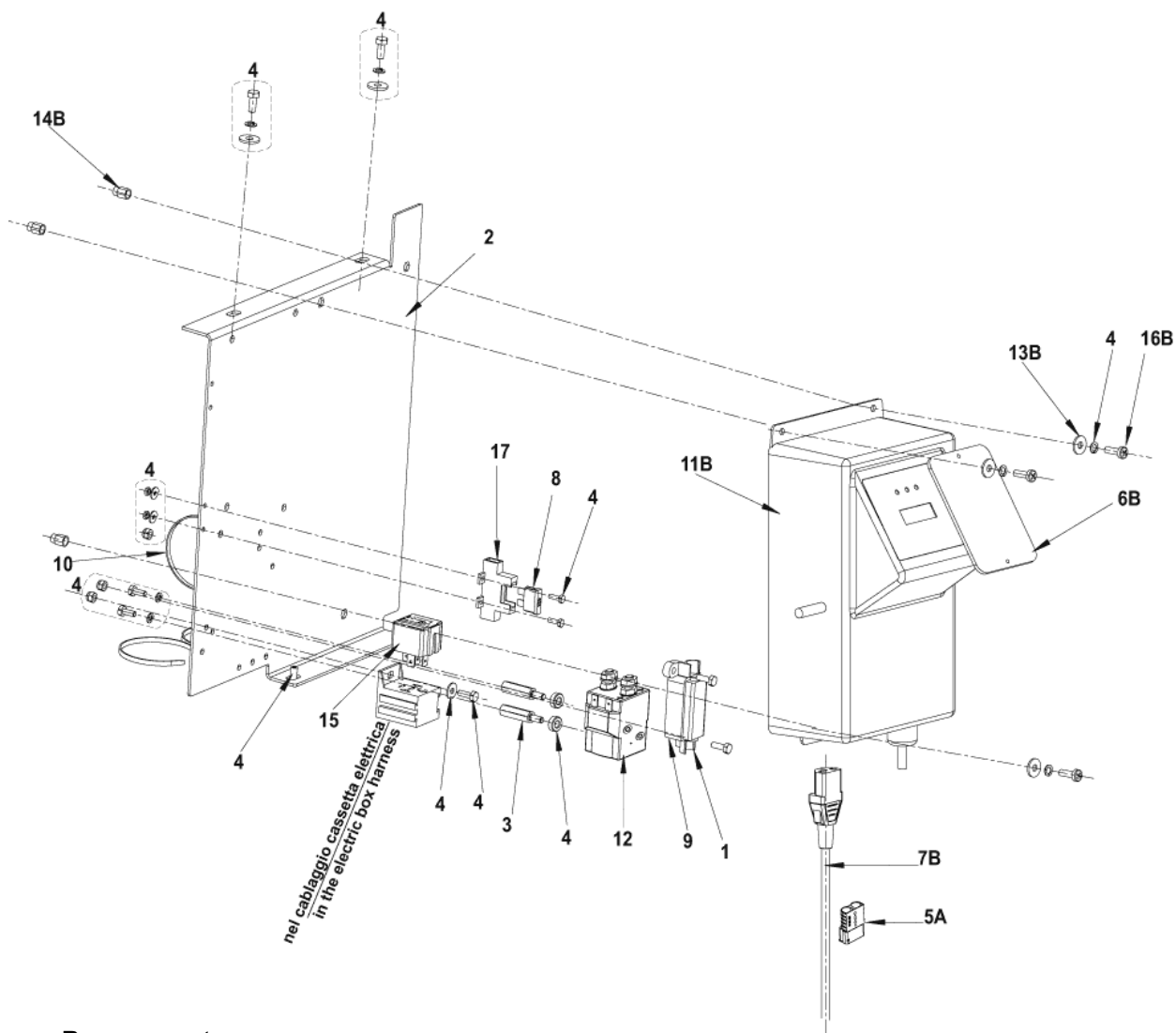
Resource notes:

AONLY VERSION WITHOUT BATTERY CHARGER ON BOARD BONLY VERSION WITH BATTERY CHARGER ON BOARD

Pos.	Artikel-Nr.	Menge	Variante	Notes
1	9097025000	1	Aufkleber Bedientafel	
2	9100000176	1	PLATINE FUNKTIONEN KIT	
3A	909 6542 000	1	Abdichtung Kabel	
4	909 6545 000	1	Dichtung	
5A	9100001065	1	COVER F INSPECTION PLATE BLACK PKD	
6	9100001891	1	HARDWARE CONTROL PANEL KIT	
12	9100001354	1	Schlüsselschalter komplett	
14	9098123000	1	Abdeckung, blau	
15A	909 6553 000	2	Gummi	
17B	1467686000	1	WASHER PLAIN M5X15 ISO7093 10 PCS SET	
18B	146 2090 000	2	Schraube M5x16	
19B	1466317000	1	SUPPORT CABLE KIT	
21	9096951000	1	Betriebsstundenzähler 24V	[1]
22	146 2887 000	1	Schlüssel (2 Stück)	
23	9100000878	2	FUSE BLADE 3A PKD	[2]
24	909 6678 000	1	Glassicherung 20A	[3]

Part Notes:

- [1] - OPTION - SEE INST. INSTR. 9096952000
 [2] - NOT SHOWN
 [3] - STOCK COVERS GUARANTEE
 NOT SHOWN



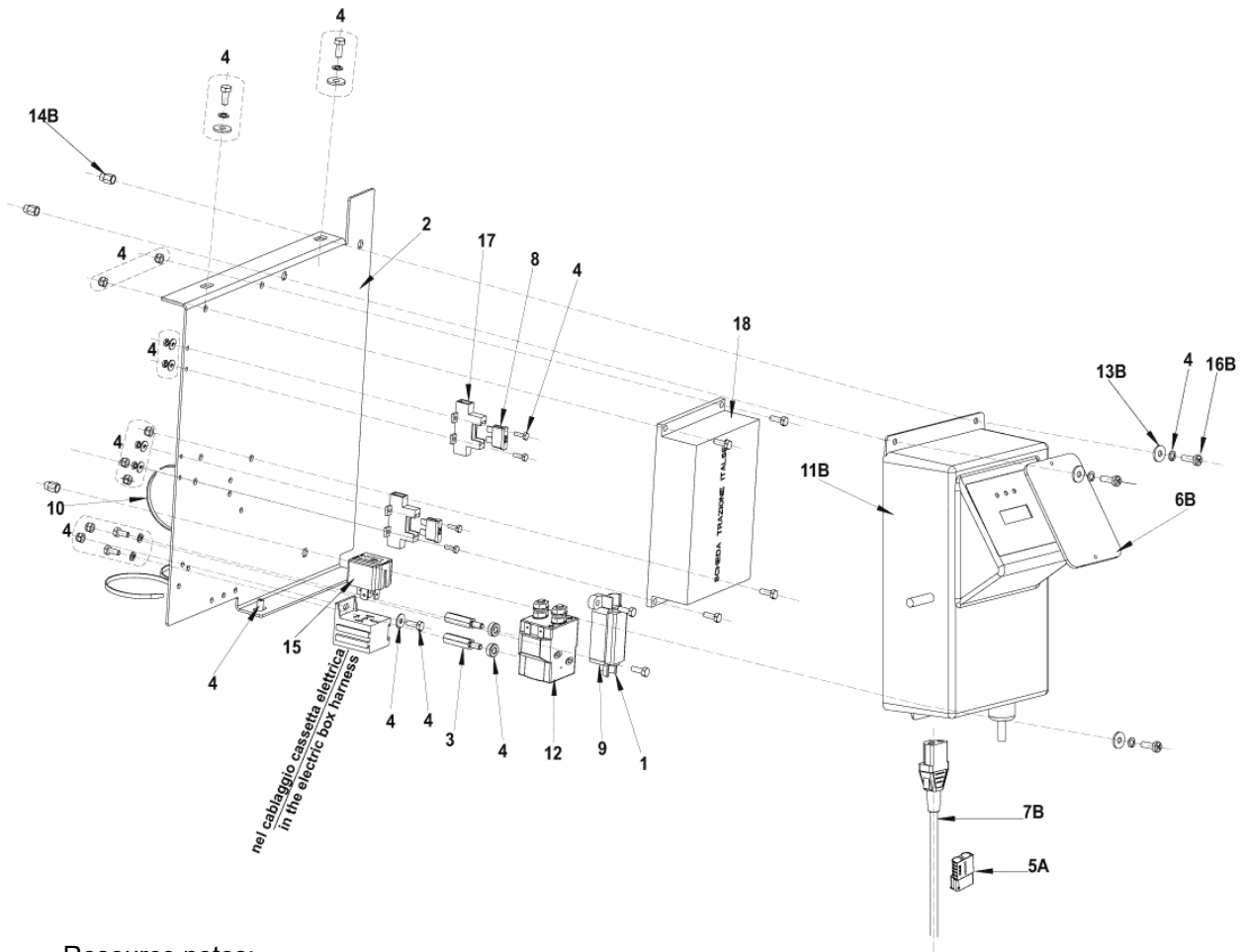
Resource notes:

ONLY VERSION WITHOUT BATTERY CHARGER ON BOARD ONLY VERSION WITH BATTERY CHARGER ON BOARD

Pos.	Artikel-Nr.	Menge	Variante	Notes
00	9097036000	1	Kabelbaum, Lenker	
00	9097590000	1	Batterieverbindingkabel	
00	9097034000	1	Kabelbaum	
00	909 6613 000	1	Harness Vacuum Motor	
00	9097038000	1	HARNESS MACHINE	
00	80564400	2	Gelbatterie Monoblock, 12V-105 Ah	[1]
00	9100001950	1	HARNESS BATTERY KIT	
1	145 8046 000	1	SicherungshalterG11-05000	
2	909 6498 000	1	Support Electric	
3	909 6676 000	2	Distanzbolzen	
4	9098303000	1	Befestigungskit	
5A	9100002117	2	CONNECTOR RED 120A PKD	
6B	9100001064	1	COVER F INSPECTION PLATE TRANSP. PKD	
7B	1466318000	1	CABLE EXTENSION UK PLUG L.2000MM SIP	
7B	9100000790	1	CABLE EXTENSION EU PLUG L.1000 PKD	
8	145 8513 000	1	FUSE BLADE 30A UL	
9	145 3824 000	1	Sicherung 40 A	
10	145 1449 000	3	TIE CABLE 3.6x140 BLACK	
11B	9098297000	1	Einbauladegerät 24V-13A 100-230V EU	
12	9097209000	1	SWITCH ELECTROMAGNETIC 24V	
13B	33023195	3	WASHER M5 UNI6592 10 PCS SET	
14B	145 6132 000	3	INSERT M5	
15	909 6622 000	1	Relais 24 V 40 A	
16B	1466964000	1	SCREW M5X20 PAN HD ISO7045 10 PCS SET	
17	1467035000	2	HOLDER FUSE THERMOPL.UL 94-V0 SIP	

Part Notes:

- [1] - TSB-FC-2019-033 Exide GEL battery
DE TSB-FC-2019-033 Exide GEL Batterien



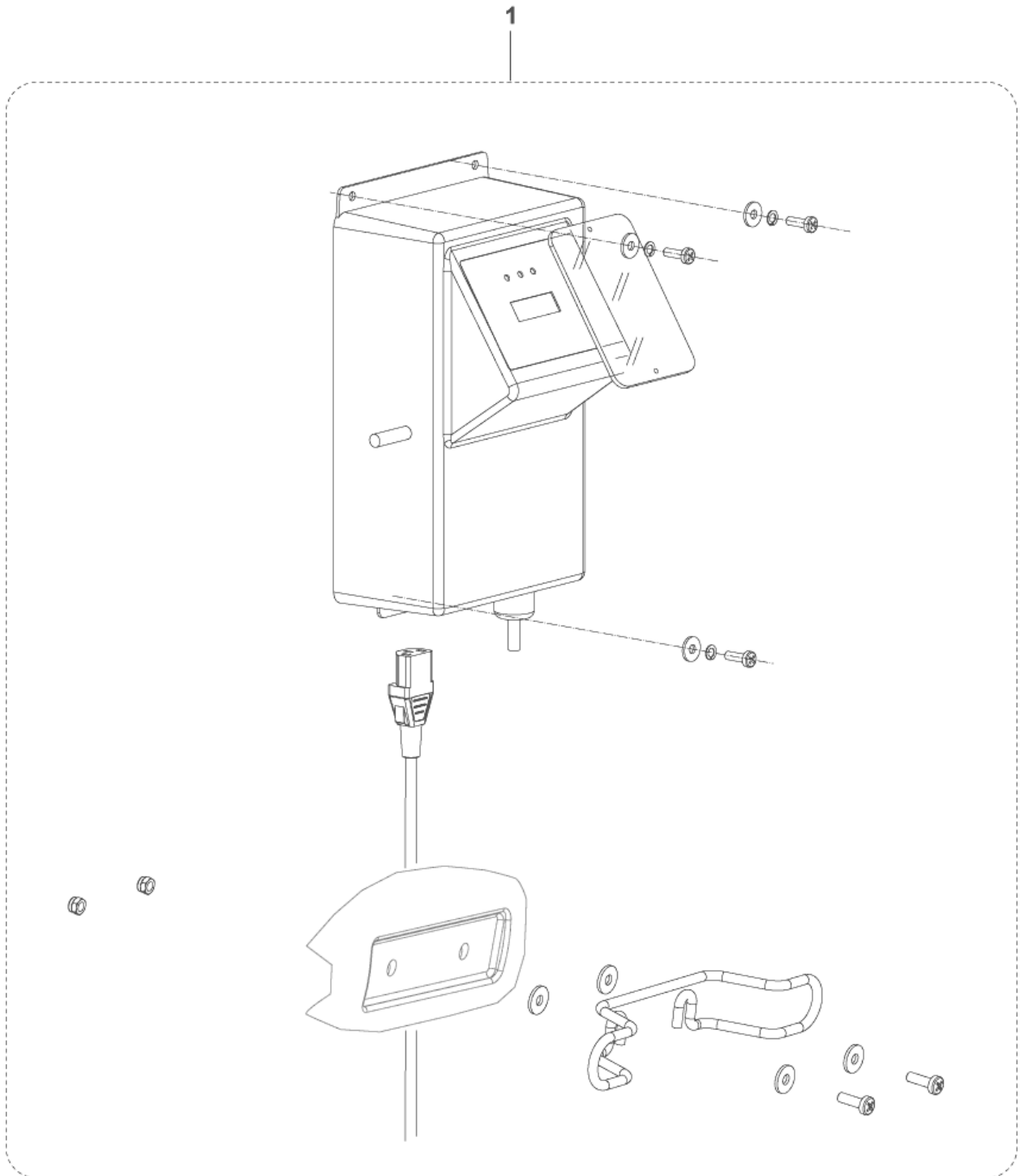
Resource notes:

AOONLY VERSION WITHOUT BATTERY CHARGER ON BOARD ONLY VERSION WITH BATTERY CHARGER ON BOARD

Pos.	Artikel-Nr.	Menge	Variante	Notes
00	9097590000	1	Batterieverbindingkabel	
00	9096964000	1	HARNESS ELECTRIC BOX	
00	909 6613 000	1	Harness Vacuum Motor	
00	9096962000	1	Kabelbaum	
00	9100001950	1	HARNESS BATTERY KIT	
00	9097035000	1	Kabelbaum Gelenkachse	
1	145 8046 000	1	SicherungshalterG11-05000	
2	909 6498 000	1	Support Electric	
3	909 6676 000	2	Distanzbolzen	
4	9098303000	1	BefestigungsKit	[1]
5A	9100002117	2	CONNECTOR RED 120A PKD	
6B	9100001064	1	COVER F INSPECTION PLATE TRANSP. PKD	
7B	9100000790	1	CABLE EXTENSION EU PLUG L.1000 PKD	
7B	1466318000	1	CABLE EXTENSION UK PLUG L.2000MM SIP	
8	145 8513 000	1	FUSE BLADE 30A UL	
9	145 3824 000	1	Sicherung 40 A	
10	145 1449 000	3	TIE CABLE 3.6x140 BLACK	
11B	9098297000	1	Einbauladegerät 24V-13A 100-230V EU	
12	9097209000	1	SWITCH ELECTROMAGNETIC 24V	
13B	33023195	3	WASHER M5 UNI6592 10 PCS SET	
14B	145 6132 000	3	INSERT M5	
15	909 6622 000	1	Relais 24 V 40 A	
16B	1466964000	1	SCREW M5X20 PAN HD ISO7045 10 PCS SET	
17	1467035000	2	HOLDER FUSE THERMOPL.UL 94-V0 SIP	
18	9100000173	1	Fahrelektronik Kit	
18	1466207000	1	PROGRAMMER F ELECTRONIC CARDS PKD	[2]

Part Notes:

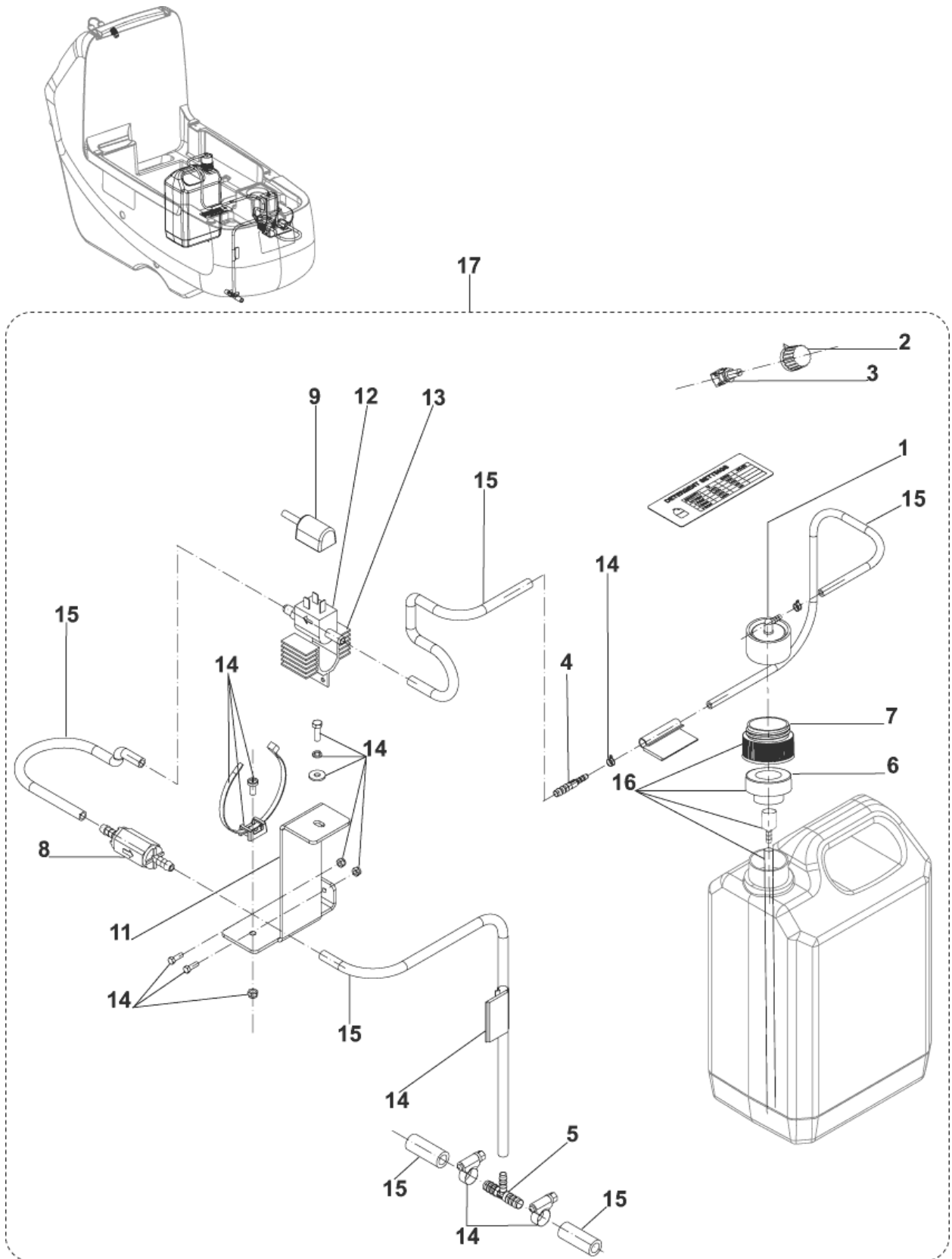
- [1] - contains all Hardware shown in this system
 [2] - SERVICE TOOL - NOT SHOWN



Pos.	Artikel-Nr.	Menge	Variante	Notes
1	909 6739 000	1	Einbauladegerät 24V-13A 100-230V	[1]

Part Notes:

[1] - SEE INST. INSTR. 909 6746 000



Pos.	Artikel-Nr.	Menge	Variante	Notes
00	9097041000	1	HARNESS DETERGENT SOLUTION PUMP	
1	56315523	1	Deckel EDS-Schwimmer	
2	145 4719 000	1	Drehknopf zuPotentiometer	
3	909 6076 000	1	Potentiometer BR 601	
4	909 6090 000	1	GUMMI-ANSCHLUSS D.6-DA	
5	909 6092 000	1	T- Stück	
6	9097022000	1	Niveaufühler	
7	9097023000	1	Adapter f. Chemie Tank	
8	9097030000	1	Wegeventil	
9	9097041000	1	HARNESS DETERGENT SOLUTION PUMP	
11	9097084000	1	BRACKET PUMP SUPPORT	
12	53721A	1	Chemiepumpe	
13	61772A	1	BRACKET CHEMICAL PUMP	
14	9098495000	1	HARDWARE DETERGENT SOLU. SYSTEM KIT	
15	9097175000	1	HOSES CHEMICAL MIX KIT	
16	9098025000	1	Reduzierstück f.	
17	9097160000	1	Reinigungsmittel-Dosiersystem Kit o. Kan	[1]

Part Notes:

[1] - SEE INST. INSTR. 9097159000

Resource notes:

POSITION 35-36: 909 6484 000 - 909 6483 000 included in the KIT 909 6860 000 POSITION 44-45: L08603830 - L08603832 included in the KIT 9097499000

Pos.	Artikel-Nr.	Menge	Variante	Notes
1	9098265000	1	BefestigungsKit	[1]
2	909 6874 000	1	CABLE TANK KIT	[1]
3	909 6521 000	1	Frischwasserschlauch	[1]
4	33023302	2	CAP BLACK SIP	[1]
5	9099853000	1	Schlauch für Absaugleiste	[1]
6	9100001892	1	Ablassschlauch L.1480MM 90 BLACK PKD	[1]
7	9100000818	2	CAGE FLOAT HALF 2 PCS SET	[1]
8	9100000817	1	BALL FLOATING PKD	[1]
9	9100001875	1	SUPPORT FLOAT KIT	[1]
10	9100001348	3	CLAMP 14/32-52 10 PCS SET	[1]
11	9099401000	1	Saugmotor	[1]
12	909 5371 000	1	Kohlebürste	[1]
13	909 6491 000	1	Panel, schalldämpfend	[1]
14	9096918000	1	Dichtung f. Motor	[1]
15	909 6672 000	1	Filter	[1]
16	909 6876 000	1	BefestigungsKit	[2]
17	909 6877 000	1	Motor BefestigungsKit	[1]
18	909 6880 000	1	Lenkrolle-Set	[3]
19	909 6880 000	1	Lenkrolle-Set	[4]
20	909 6878 000	1	Satz Befestigungsteile	[1]
21	909 6548 000	1	Motor 200 W 24V	[3]
22	145 5124 000	2	Kohlenbürste BA 650S	[3]
23	9099691000	1	Radkit (only Wheels)	[3]
24	9097085000	2	Vorderrad D.250,	[4]
25	9097043000	1	Potenzimeter	[3]
26	9098330000	1	Bediengriff-Set Maschine	[1]
27	9097154000	1	Filter-Kit, kpl.	[1]
28	9097171000	1	PIPES SOLENOID VALVE KIT	[1]
29	909 6555 000	1	Magnetventil 24 V	[1]
30	9098777000	1	Schlauchwinkel 10/90	[1]
31	909 6055 000	1	Halteband f. Gummilippe	[5]
32	909 6044 000	1	Saugbalken	[5]
33	9097637000	1	BefestigungsKit BA 551	[1]
34	9100000791	1	KNOB M8X30 THD STUD SS PKD	[5]
37	909 6851 000	1	Saugfuß Kit komplett	[5]
38	909 6882 000	1	BefestigungsKit	[5]
39	909 6883 000	1	Stützrad zu BA 451	[5]
40	909 6884 000	1	Abweisrollenkit BA 451	[5]
41	909 6885 000	1	Gummilippenhalter Kit	[5]
42	909 6394 000	1	Verschluss BA 451	[5]
43	909 5372 000	1	Saugfuss kompl. BA 610	[6]
46	9100000962	1	SQUEEGEE 830MM 33 METAL SIP	[6]
47	9097078000	1	Bürstenabdeckung schwarz	[7]
48	9098376000	1	CARBON BRUSHES KIT 4 PCS	[7]
49	9098308000	1	Bürstenmotor 450 W 24V	[7]
50	909 6355 000	2	Abweisrollenkit BR 601	[7]
51	9100000868	1	VIBRATION DAMPING M8 60SH 2 PCS SET	[7]
52	9099419000	1	BefestigungsKit f.	[7]
53	909 5637 000	1	Gasdruckfeder BA 410	[8]
54	9097025000	1	Aufkleber Bedientafel	[1]
55	9100001354	1	Schlüsselschalter komplett	[1]
56	9100000176	1	PLATINE FUNKTIONEN KIT	[1]
57	9100000878	1	FUSE BLADE 3A PKD	[1]
58	909 6678 000	1	Glassicherung 20A	[9]
59	9100000173	1	Fahrelektronik Kit	[3]
60	9100002117	1	CONNECTOR RED 120A PKD	[1]
61	9097209000	1	SWITCH ELECTROMAGNETIC 24V	[1]
62	909 6622 000	1	Relais 24 V 40 A	[1]
63	145 3824 000	1	Sicherung 40 A	[1]

Pos.	Artikel-Nr.	Menge	Variante	Notes
64	145 8513 000	1	FUSE BLADE 30A UL	[1]
65	9098297000	1	Einbauladegerät 24V-13A 100-230V EU	[10]

Part Notes:

- [1] - SCRUBTEC 653B-653BL-651BCL-661BL
 [2] - SCRUBTEC 653B-653BL-651BCL-661BL

due to ODM/ECN 2810 should have been considered valid for all

Machine configurations which were using it ONLY Before Serial Number 081813772 (Beginning of May 2008).
 GUARANTEE DATE EXPIRED

- [3] - SCRUBTEC 653BL-651BCL-661BL
 [4] - SCRUBTEC 653B
 [5] - SCRUBTEC 653B-653BL-651BCL
 [6] - SCRUBTEC 661BL
 [7] - SCRUBTEC 653B-653BL
 [8] - SCRUBTEC 653BL
 [9] - SCRUBTEC 653B-653BL-651BCL-661BL
 STOCK COVERS GUARANTEE
 [10] - ALL SCRUBTEC W/BATTERY CHARGER ON BOARD

Pos.	Artikel-Nr.	Menge	Variante	Notes
1	909 5065 000	1	Filter antischäum	[1]
2	9098947000	1	Lenkrollen-Set	[1]
3	9100001353	1	FILTER SOLUTION TANK PKD	[1]
4	9097160000	1	Reinigungsmittel-Dosiersystem Kit o. Kan	[1]
5	9097175000	1	HOSES CHEMICAL MIX KIT	[1]
6	9097181000	1	DECK BRUSH 530MM/21 KIT W.SQU.	[2]
7	L08837025	1	Bürste PPN mittel, 530 mm	[3]
8	L08837026	1	Bürste PPN weich, 530 mm	[3]
9	L08837027	1	Bürste Union Mix, 530 mm	[3]
10	L08837028	1	Bürste Mid Grit 180, 530 mm	[3]
11	L08837029	1	Bürste Sica Mid Grit 240, 530mm	[3]
12	L08837065	1	Bürste Magna Grit 46, 530 mm	[3]
13	L08837066	1	Bürste Dyna Grit 80, 530 mm	[3]
14	L08837067	1	Schleifkornbürste 21" AGLiteGrit 500	[3]
15	L08837018	1	Padhalter m. Padverschluß, 530 mm	[3]
16	909 6849 000	1	Bürstendeck-Set zyl., 510 mm, 20"	[4]
17	909 5823 000	2	Walzenbürste PP 0,4	[4]
18	909 5824 000	2	Walzenbürste PP 0,45	[4]
19	909 5825 000	2	Walzenbürste abrasiv, PP 0,6	[4]
20	9097183000	1	Bürstendeck-Set 610 mm/24"	[5]
21	L08603842	2	Bürste Prolene, mittel, 305 mm, 12 "	[5]
22	L08603873	2	Bürste Mid Grit 240, 305 mm, 12"	[5]
23	L08603872	2	Bürste Mid Grit 180, 305 mm, 12"	[5]
24	L08603874	2	Bürste Prolite, 305 mm, 12 "	[5]
25	L08603875	2	Bürste Union Mix, 305 mm, 12"	[5]
26	9099670000	2	Padhalter Ø 305 mm, 12"	[5]
27	L08603878	1	Saugfuß kompl. BA 430 S	[6]
28	909 6851 000	1	Saugfuß Kit komplett	[6]
29	9100000279	1	Sauglippen-Set, 740 mm, 29"	[6]
30	909 6858 000	1	Sauglippenset PU, 740 mm	[6]
31	9098343000	1	3 er SeitenbesenCA / BA 451/531/551/611	[1]
32	909 6736 000	1	Spritzschutz BA 531-551	[3]
33	9097186000	1	Anpressdruck-Set 20 kg	[7]
34	9096951000	1	Betriebsstundenzähler 24V	[1]
35	9097026000	2	Antriebsrad	[8]
36	9097599000	1	Motorschutz Kit	[9]
37	9098854000	1	Winkel 90 Gr. schwarz	[10]

Part Notes:

- [1] - SCRUBTEC 653B-653BL-651BCL-661BL
- [2] - SCRUBTEC 653BL
- [3] - SCRUBTEC 653B-653BL
- [4] - SCRUBTEC 651BCL
- [5] - SCRUBTEC 661BL
- [6] - SCRUBTEC 653B-653BL-651BCL
- [7] - SCRUBTEC 653B
- [8] - SCRUBTEC 653BL-651BCL-661BL
ITEM NO LONGER AVAILABLE
- [9] - SCRUBTEC 653B-653BL
SEE TSB-FC-2015-035
- [10] - TSB IT 2010-061

