

 **Nilfisk**[®]

 07351-5758060

kontakt@nilfisk-alto-shop.com



 **Heine**
Vertriebs-GmbH

Preisabfrage bzw. Bestellungen der Artikel im Shop unter

www.nilfisk-alto-shop.com

einfach die Artikelnummer in die Suchmaske eingeben

(Bitte die Artikelnummer ohne Leerzeichen eingeben)

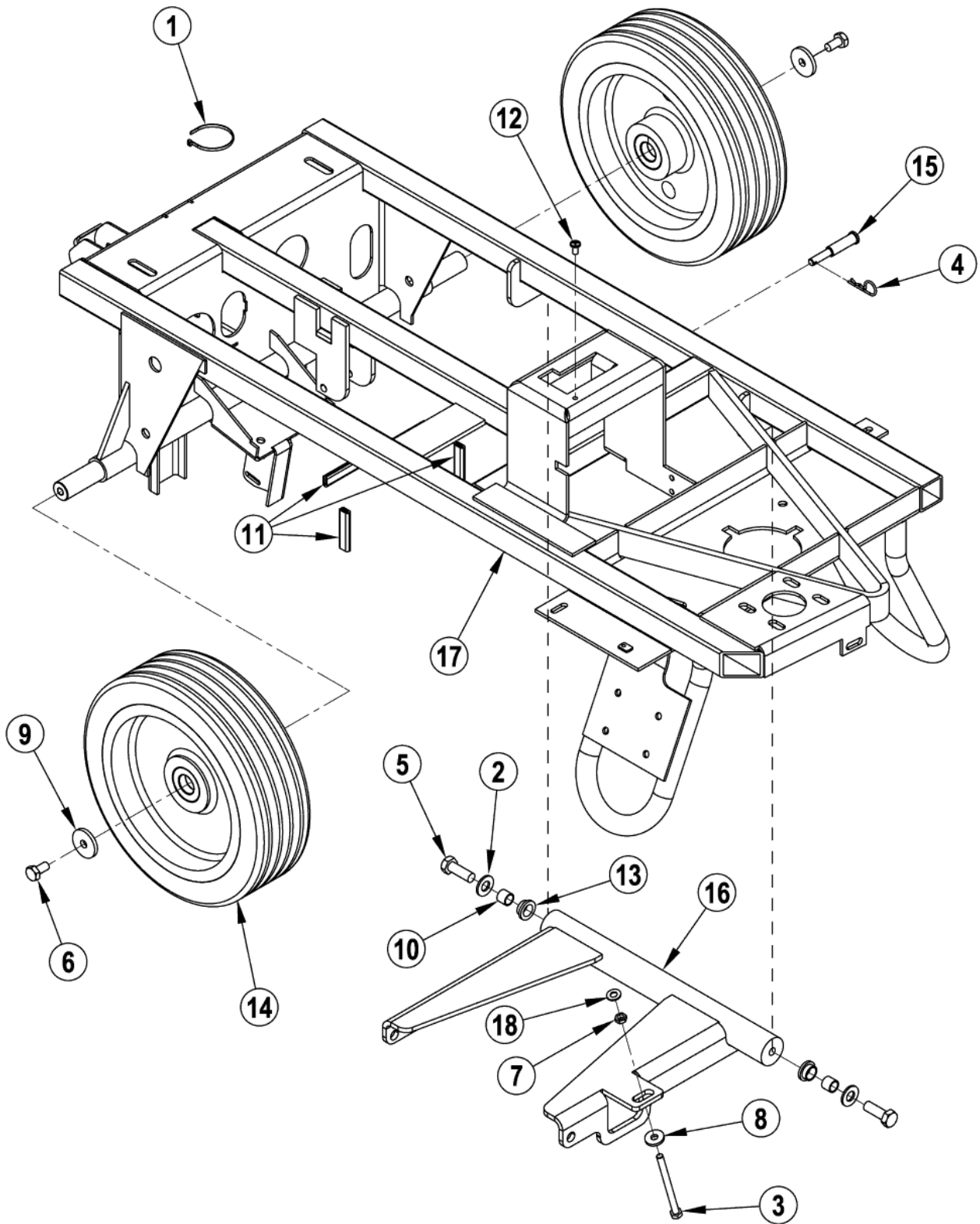
PARTS LIST



2017.08.22

TABLE OF CONTENTS

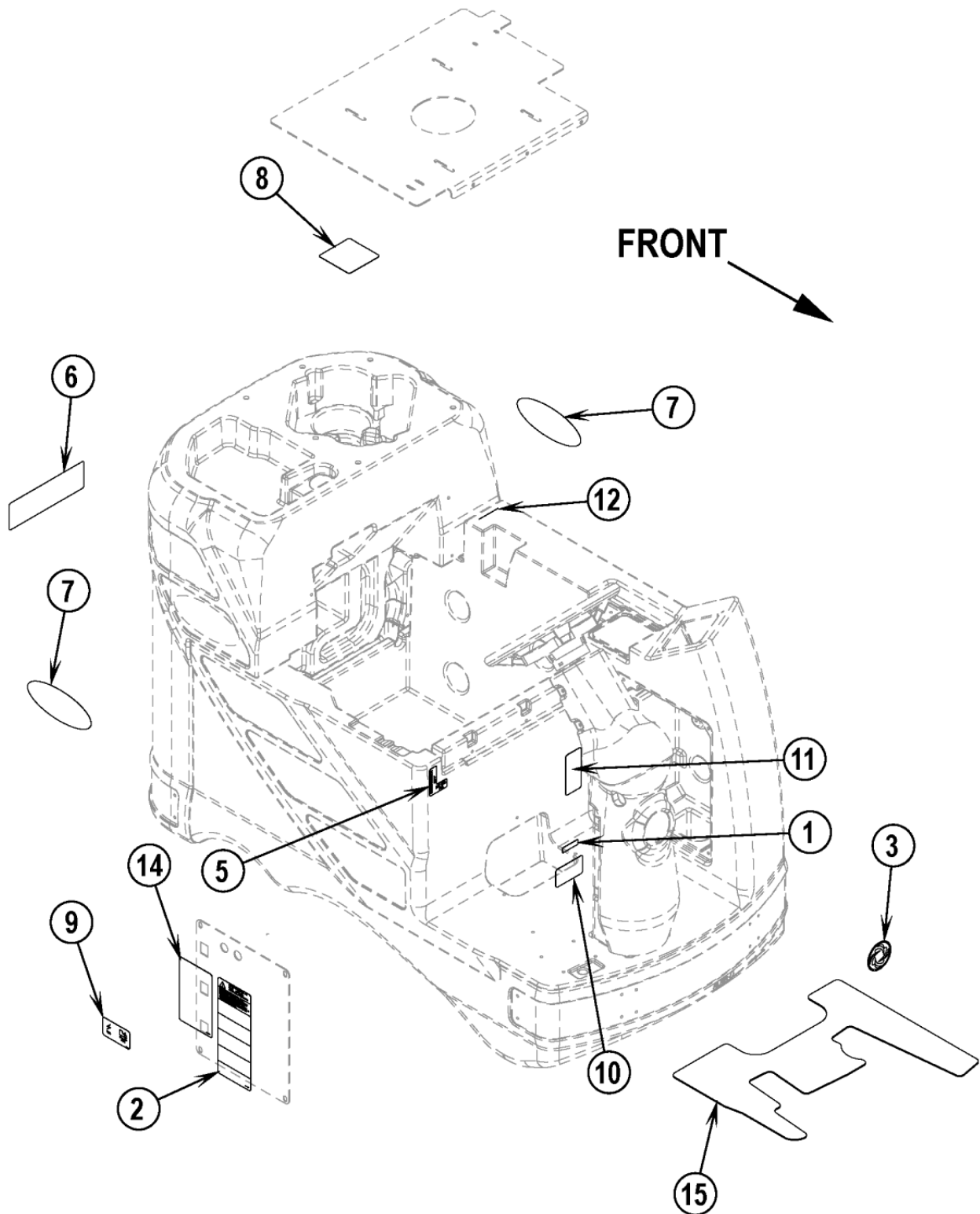
Chassis system	1
Decal system	3
Detergent injection system	5
Drive and brake pedal assemblies	7
Electrical panel assembly	9
Front wheel assembly	11
Motor, front drive wheel	13
Recovery system	15
Scrub system-cylindrical (BR 850S)	17
Service parts 56407431	20
Scrub system-cylindrical (BR 1050S)	22
Scrub system-disk (BR 850S)	25
Scrub system-disk (BR 1050S)	28
Skirt assemblies-cylindrical	31
Skirt assemblies-disk (BR 850S)	33
Skirt assemblies-disk (BR 1050S)	35
Solution system (standard)	37
Solution system (EDS / ECOFLEX)	40
Squeegee assembly	43
Squeegee system	46
Steering column assembly	48
Wiring diagram	50
Optional kits and accessories - 1	53
Optional kits and accessories - 2	56
Brush selector guide-disk	58
Brush selector guide-cylindrical	60
56390764 - Kit, Deck BR 850S	62
56390765 - Kit, Deck BR 850S	64
56314306 RIGHT SIDE BROOM KIT	66
56390769 - Kit, Deck BR 850S C	68
56390776 - Kit, Deck BR 1050S	70



Pos.	Artikel-Nr.	Menge	Variante	Notes
1	56478246	1	CABLE TIE E00549 RE438BA	
2	56001879	2	U-SCHEIBEN	
3	56002461	1	Schraube	
4	56002959	1	Splint zu BA 500	
5	56003412	2	Schraube M12 1.75 x 35mm	
6	56003442	2	SCR HEX LOC M10-1.50X20MM	
7	56009086	1	NUT, HEX JAM 5/16-18	
8	56009122	2	Unterlegscheibe	
9	56367117	2	Scheibe Stahl	
10	56367206	2	BUCHSE	
11	56412122	4	Kantenschutz	
12	56009062	1	Schraube	
13	56420160	2	Hülse BR 800	
14	56111531	4	Kugellager	
14	56382693	2	Rad	[1]
15	56314152	1	Bolzen	
16	56314495	1	Haltestange	
17	56390803	1	WELDMENT CHASSIS	
18	56009052	1	WSH, INT SHPRF 5/16	
NI	56477613	9	Kabelbändli 7x380mm	[2]
NI	56478246	5	CABLE TIE E00549 RE438BA	[2]

Part Notes:

- [1] - EACH ASSEMBLY INCLUDES TWO BEARINGS
TSB-FC-2015-033 Various machines rear wheel hub cracking AND DE TSB-FC-2015-033 BR755 855 850 1050 Scrubtec R6 Nabe Hinterrad reisst
- [2] - Not shown



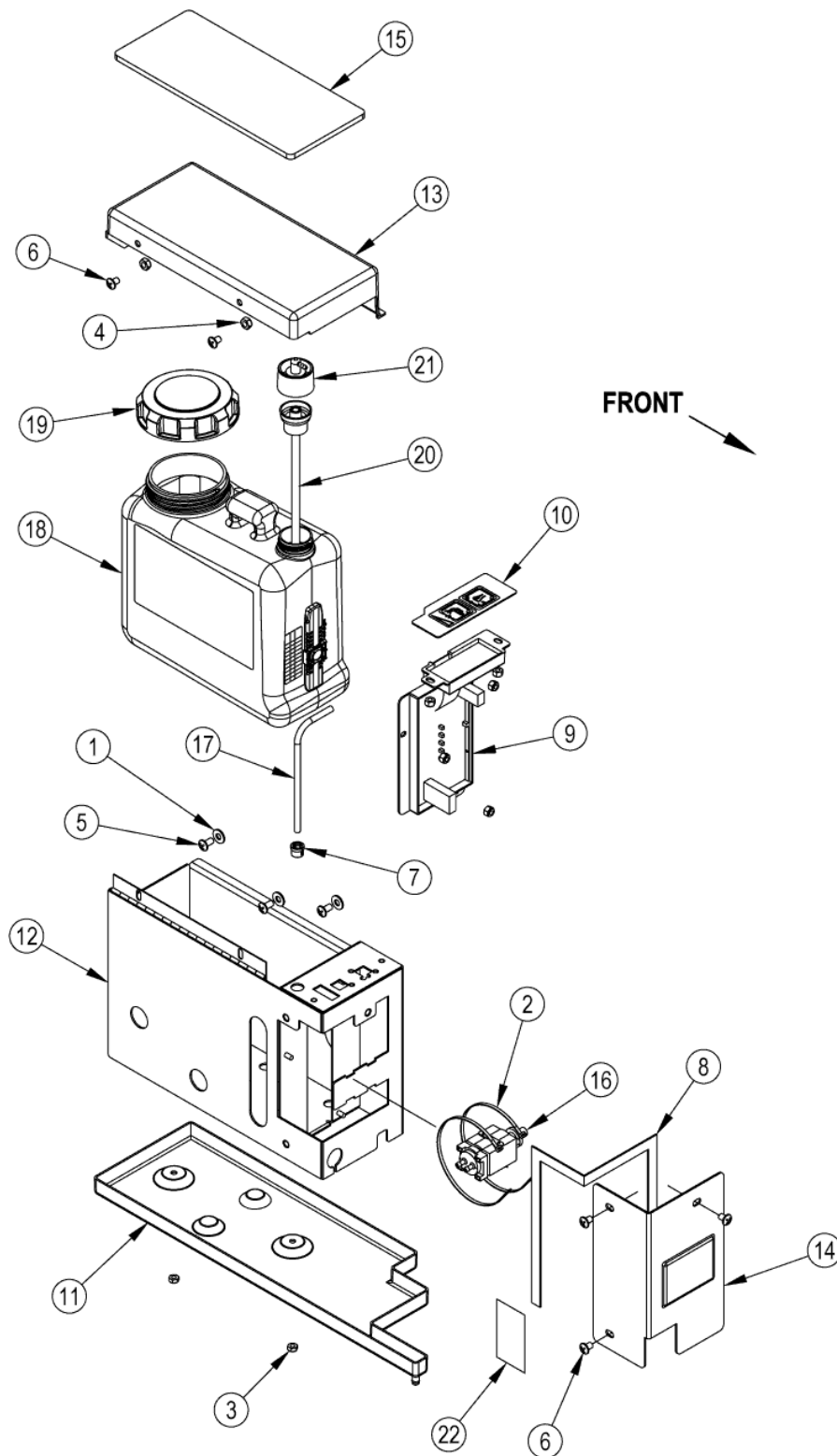
Resource notes:

NOTE 1: Only used on EDS models. NOTE 2: Only used on EcoFlex models. EDS models are no longer in production and have been replaced by EcoFlex models.

Pos.	Artikel-Nr.	Menge	Variante	Notes
01	56014450	1	DECAL PATENT	
02	56014601	1	DECAL, CAUTION	
03	56016348	1	Klebefolie, Logo	
05	56015179	1	Hinweisschild Notfall	
07	56015241	2	Aufkleber Nilfisk BR850S	
07	56381111	2	Aufkleber BR850 S	[1]
07	56016677	2	Typenschild BR 1050SC EDS	[2]
07	56381112	2	Aufkleber BR 1050S	[1]
07	56015258	2	Aufkleber Nilfisk BR1050S	
07	56016675	2	DECAL-BR850S EDS	[2]
08	56015242	1	DECAL-BATTERY WIRING	
09	56016328	1	DECAL CIRCUIT BREAKER	
10	56016401	1	DECAL PARKING BRAKE	
11	56015445	1	DECAL SOLUTION FLOW	[3]
12	56016421	1	Logo N-A	
14	56016455	1	DECAL ECO SOLUTION	
15	56314875	1	Fußmatte	

Part Notes:

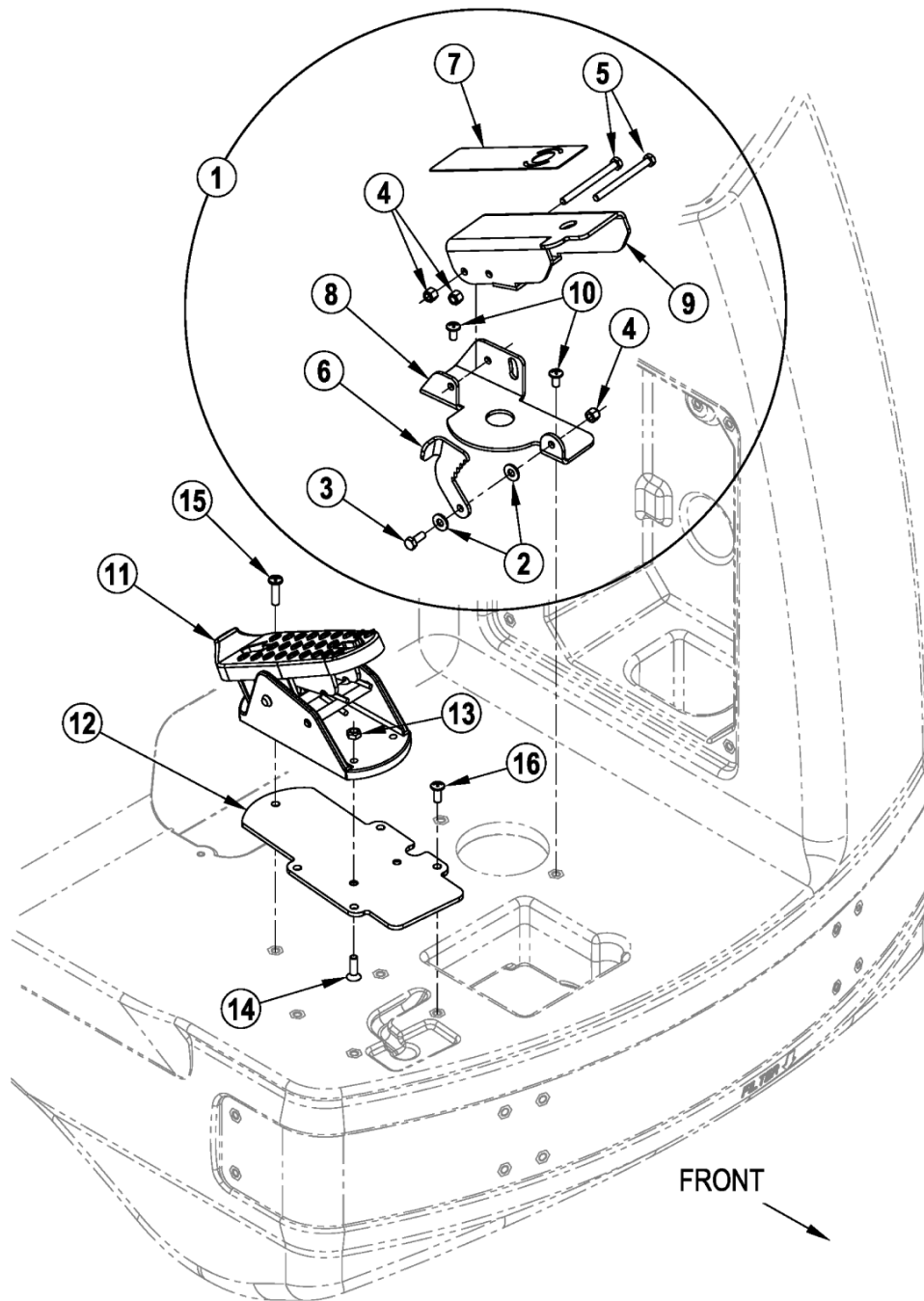
- [1] - NOTE 2
- [2] - NOTE 1
- [3] - NOT USED ON EDS OR ECOFLEX MODELS



Pos.	Artikel-Nr.	Menge	Variante	Notes
	56381100	1	Ecoflex-Set	[1]
	56316537	1	EDS-Dosiersystem	[2]
01	56009025	3	WASHER, FLT	
02	56478523	2	Kabelbinder	
03	56002832	8	6-Kt Mutter Nylon	
04	56002840	2	Nut 1/4 20	
05	56002145	3	Schraube 1/4 20x .50	
06	56003580	5	Schraube 20x38	
07	56003699	1	Ablaßschraube 1/4	
08	56200754	1	GASKET RS 1/16X1/2 E00252	
09	56316110	1	Platine f. EDS-System	[3]
09	56381078	1	CONTROL ASSEMBLY	[4]
10	56314937	1	Aufkleber - Bedienteil	[3]
10	56381056	1	GRAPHIC OVERLAY	[4]
11	56314939	1	Bodenreinigungsmittel	
12	56316665	1	WELDT-CHEMICAL BOX	[4]
12	56314944	1	WELDMENT DETERGENT BOX	[3]
13	56314945	1	Deckel EDS BR 950	
14	56316664	1	COVER-PUMP	
15	56382997	1	PAD DETERGENT	
16	56314984	1	PUMP DETERGENT	
17	56314991	1	Schlauch 14,	
18	56315503	1	EDS-Behälter, nachfüllbar	[5]
18	56601545	1	Ecoflex-Behälter	[6]
18	56315502	1	Chemikalien Behälter zuBA 551	[3]
18	56601544	1	Tank für Ecoflex	[4]
18	56315511	1	Anzeige	[3]
19	56315517	1	EDS Tankdeckel zu BA 551	
20	56315527	1	Buchseneinsatz EDSzu BA 551	
21	56315523	1	Deckel EDS-Schwimmer	
22	56381113	1	DECAL CHEMICAL RATIO	[7]

Part Notes:

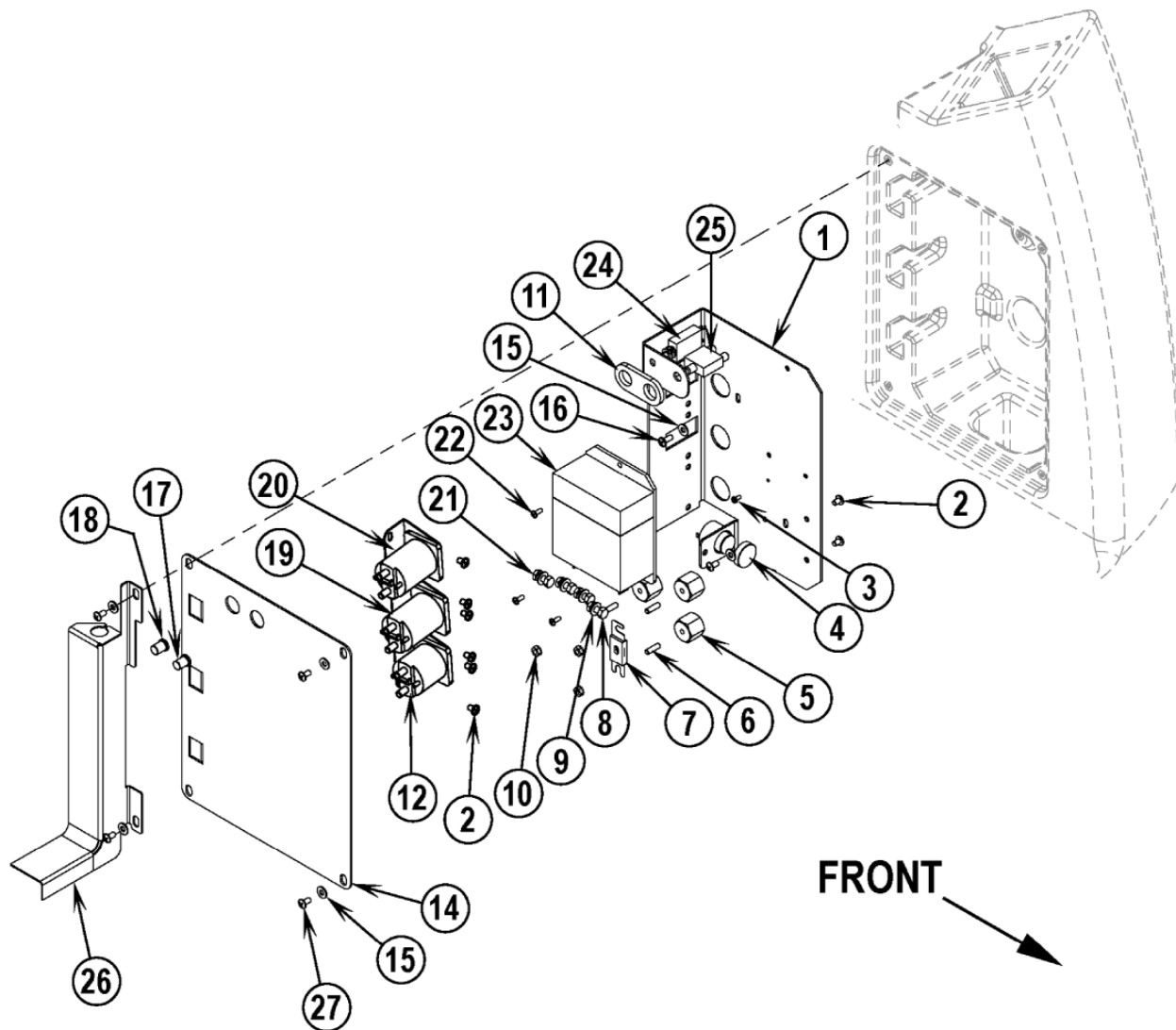
- [1] - ITEMS 1-22, Only used on EcoFlex models. EDS models are no longer in production and have been replaced by EcoFlex models.
- [2] - ITEMS 1-21, Only used on EDS models.
- [3] - Only used on EDS models.
- [4] - Only used on EcoFlex models. EDS models are no longer in production and have been replaced by EcoFlex models.
- [5] - NOT SHOWN - 18-20, Only used on EDS models.
- [6] - 18-20, Only used on EcoFlex models. EDS models are no longer in production and have been replaced by EcoFlex models.
- [7] - NOTE 2



Pos.	Artikel-Nr.	Menge	Variante	Notes
01	56314676	1	Bremspedal kpl.	[1]
02	56002098	4	Scheibe	
03	56003174	1	Schraube	
04	56003403	5	Mutter M6 x 1.00	
05	56003428	3	Schraube M6 1.00 x 75mm	
06	56316657	1	LOCK-BRAKE	
07	56314138	1	Mat Pedal	
08	56316658	1	BRACKET-BRAKE	
09	56316659	1	PEDAL WELDMENT	
10	56003119	7	SCR PAN PHIL SS 1/4 20 X .50.	
11	56601052	1	Fahrpedal	[2]
12	56316660	1	PEDAL MOUNTING PLATE	
13	56002708	2	Stopmutter 1/4-20	
14	56003086	2	SCR FLT PHIL SS 1/4-20X .88	
15	56002292	1	Schraube 1/4 20x 1.00	
16	56002989	4	Schraube	

Part Notes:

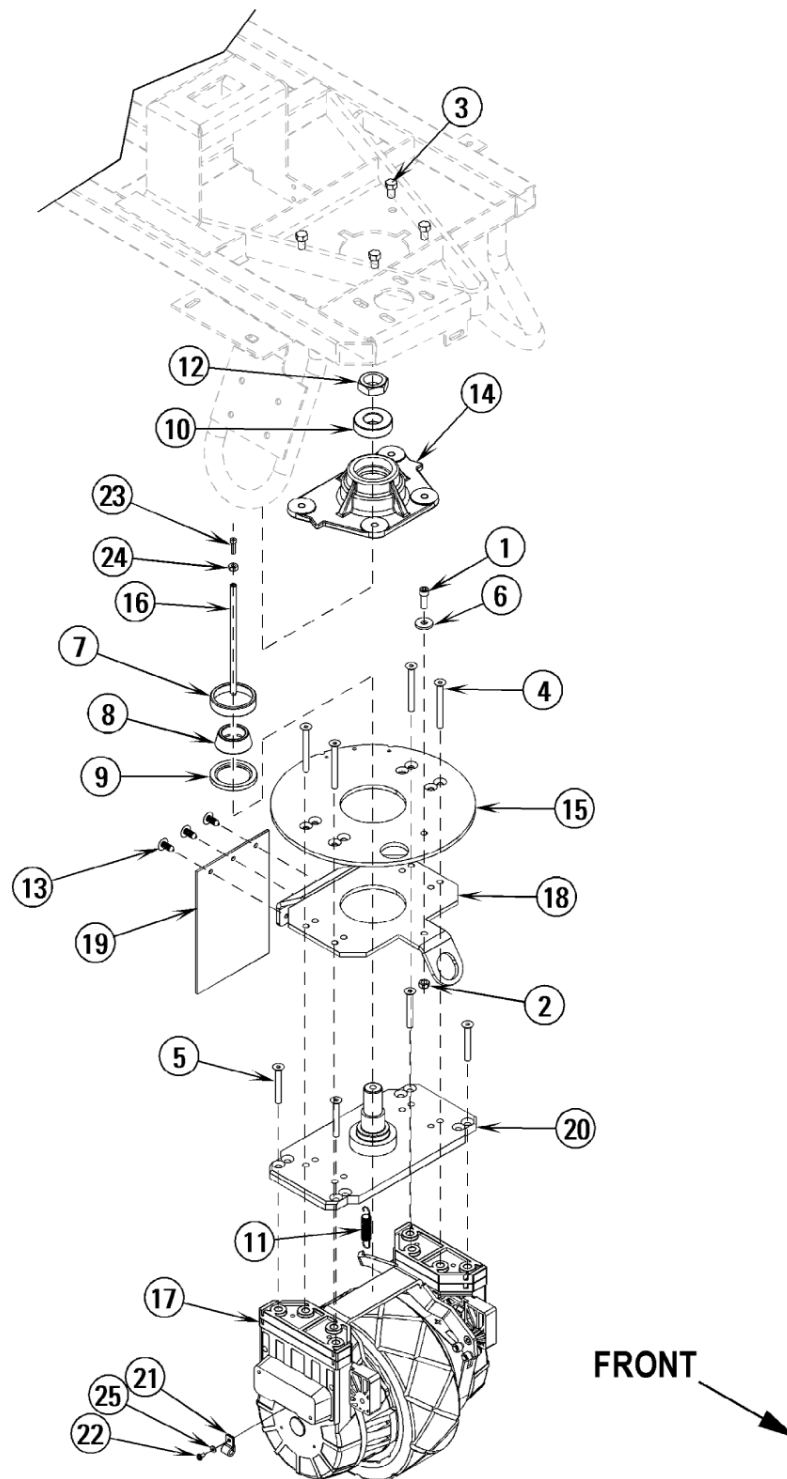
- [1] - 2-9
- [2] - EXPIRED USE 56385084



Pos.	Artikel-Nr.	Menge	Variante	Notes
01	56314668	1	ELECTRICAL PANEL	
02	56002462	9	SCR PAN PHIL 1/4-20X0.38	
03	56009051	1	SCR PAN PHIL THD FORM	[1]
04	56412177	1	Horn RückfahralarmBR 1100S	[2]
05	56469858	3	INSULATED STANDOFF	
06	56009020	3	Stiftschraube 1/4-20x.88	
07	56412089	1	FUSE 150 AMP	
08	56001862	4	SCR HEX HD 5/16-18 X .50	
09	56009052	4	WSH, INT SHPRF 5/16	
10	56002561	3	NUT HEX W/SHRPF 1/4/20	
11	56407193	1	GASKET	
12	56395455	1	Magnetventil 36V	[3]
14	56109534	1	Abdeckplatte	
15	56002098	6	Scheibe	
16	56002066	2	Schraube	
17	56459369	1	Abdeckung Rückstellknopf5015	
18	56459367	1	Abdeckung Rückstellknopf5015	
19	56395453	1	CONTACTOR 36 VOLT 200 AMP	[4]
20	56395453	1	CONTACTOR 36 VOLT 200 AMP	[5]
21	56009086	4	NUT, HEX JAM 5/16-18	
22	56001993	3	SCR PAN HD PHIL 10-24X.50	
23	56390856	1	Geschwindigkeitskontrolle	
24	56387316	1	Schütz 10A	[6]
25	56454429	1	CIRCUIT BREAKER 70A	[7]
26	56316661	1	WELDT-HARNESS GUIDE	[8]
27	56002989	4	Schraube	

Part Notes:

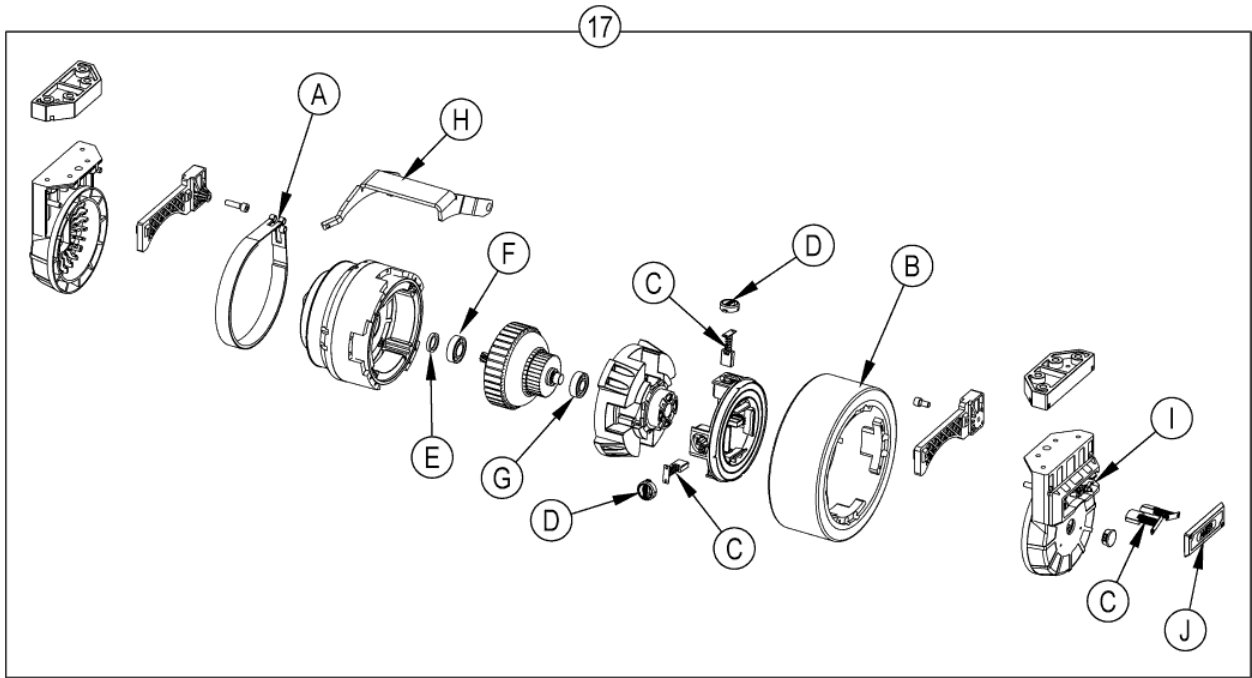
- [1] - EXPIRED USE 56002523
- [2] - H1
- [3] - VAC MOTOR / K2
- [4] - BRUSH DRIVE / K1
- [5] - WHEEL DRIVE / K3
- [6] - CONTROL CIRCUIT / F3
- [7] - WHEEL DRIVE / F2
- [8] - DETERGENT INJECTION MODELS ONLY



Pos.	Artikel-Nr.	Menge	Variante	Notes
01	56002158	1	Schraube HD 5/16 18x.88	
02	56002826	1	NUT HEX NYLOC THIN 5/16-1	
03	56003040	4	Schraube HEX LOC3/8-16*62	
04	56003273	4	Schraube, FLAT SOC M8-1,2	
05	56003274	4	Schraube, Floc Soc	
06	56009122	1	Unterlegscheibe	
07	56158143	1	Lagerschale	
08	56158151	1	Kegelrollenlager	
09	56171081	1	Simmenring	
10	56378380	1	Kugellager 0.9843	
11	56481699	1	Feder	
12	56003220	1	Schraube	
13	56003263	3	"Nylonstift 0.25""	
14	56314032	1	Lagerblock	
15	56314116	1	Platte f. Steuerung	
16	56314157	1	Verbindungsstange, Bremse	
17	56390817	1	Antriebsrad kpl. m. Motor	[1]
17	56316637	1	Kabelsatz	[2]
17	56381533	1	Servicekit f. Antriebsrad	[3]
17	56380506	1	Antriebsmotorkit	[4]
18	56314278	1	Platte	
19	56314283	1	Radspritzschutz	
20	56314085	1	Lagerbock BR 1050	
21	56305317	1	Klammer	
22	56003653	1	Stift	
23	56003611	1	Schraube SS 10 24 x 88	
24	56009293	1	Mutter HEX Mach SS 10-25	
25	56002006	1	WSH FLT SAE 6	

Part Notes:

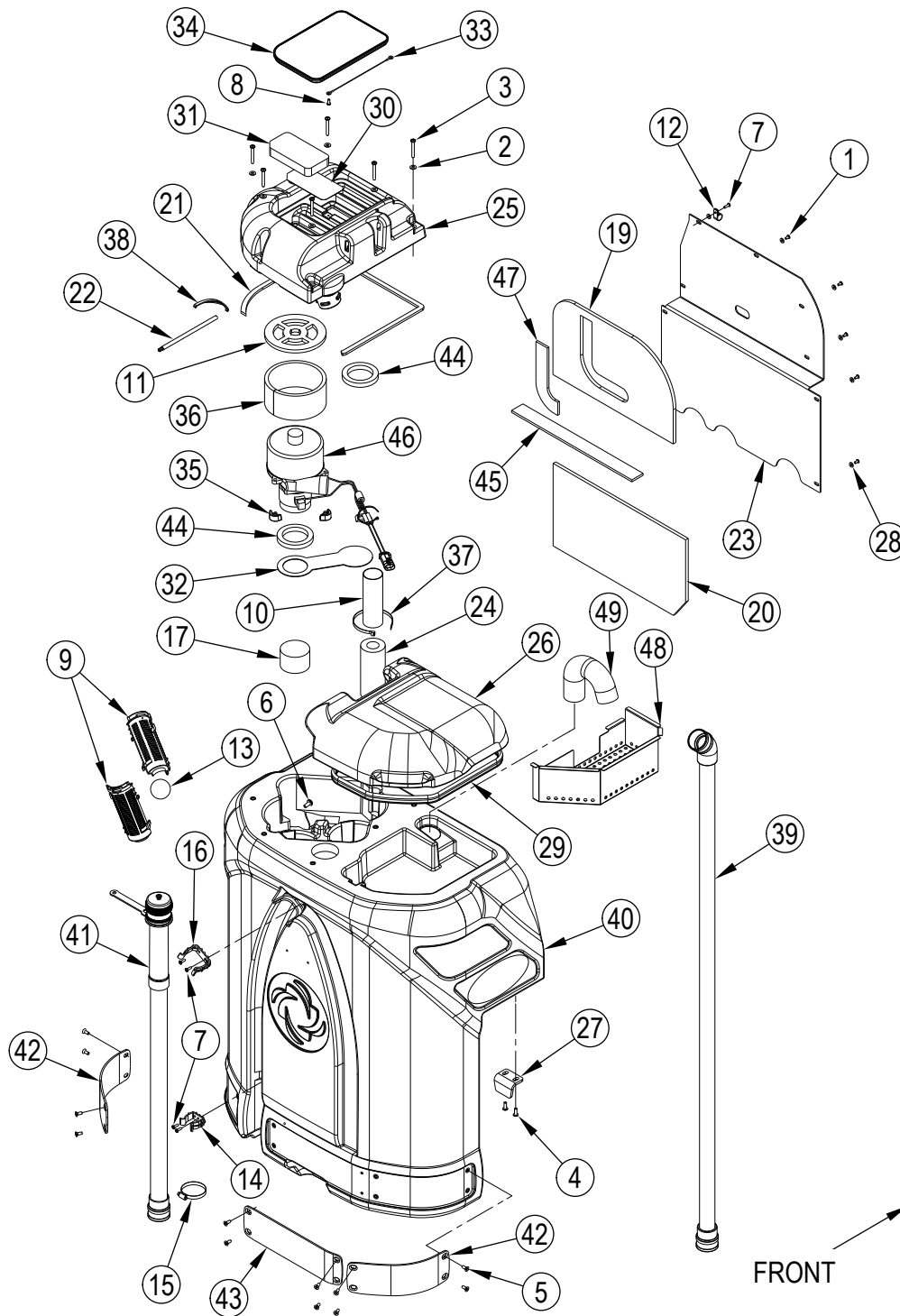
- [1] - M3
- [2] - NOT SHOWN
- [3] - Kit includes 1 Connection Box, 2 Curved Brushes, 1 Brush Holder and Hardware.
- [4] - NOT SHOWN, including brake pedal 56314676



Pos.	Artikel-Nr.	Menge	Variante	Notes
0A	56314289	1	Bremsband BR 950 S	
0B	56390814	1	Antriebsrad kpl. Urethan	
0C	56412325	1	Kohlenbürsten Set	
0D	56412320	1	Kohlendeckelset à 4 StückBR 800 S	
0E	56412321	1	Dichtring	
0F	56412322	1	Kugellager (Getriebe-	
0G	56412323	1	Kugellager (Bürstenseite)	
0H	56383091	1	BRAKE BAR	
0I	56109589	1	Anschlusskasten	
0J	56109590	1	Deckel f. Anschlusskasten	
17	56390817	1	Antriebsrad kpl. m. Motor	[1]

Part Notes:

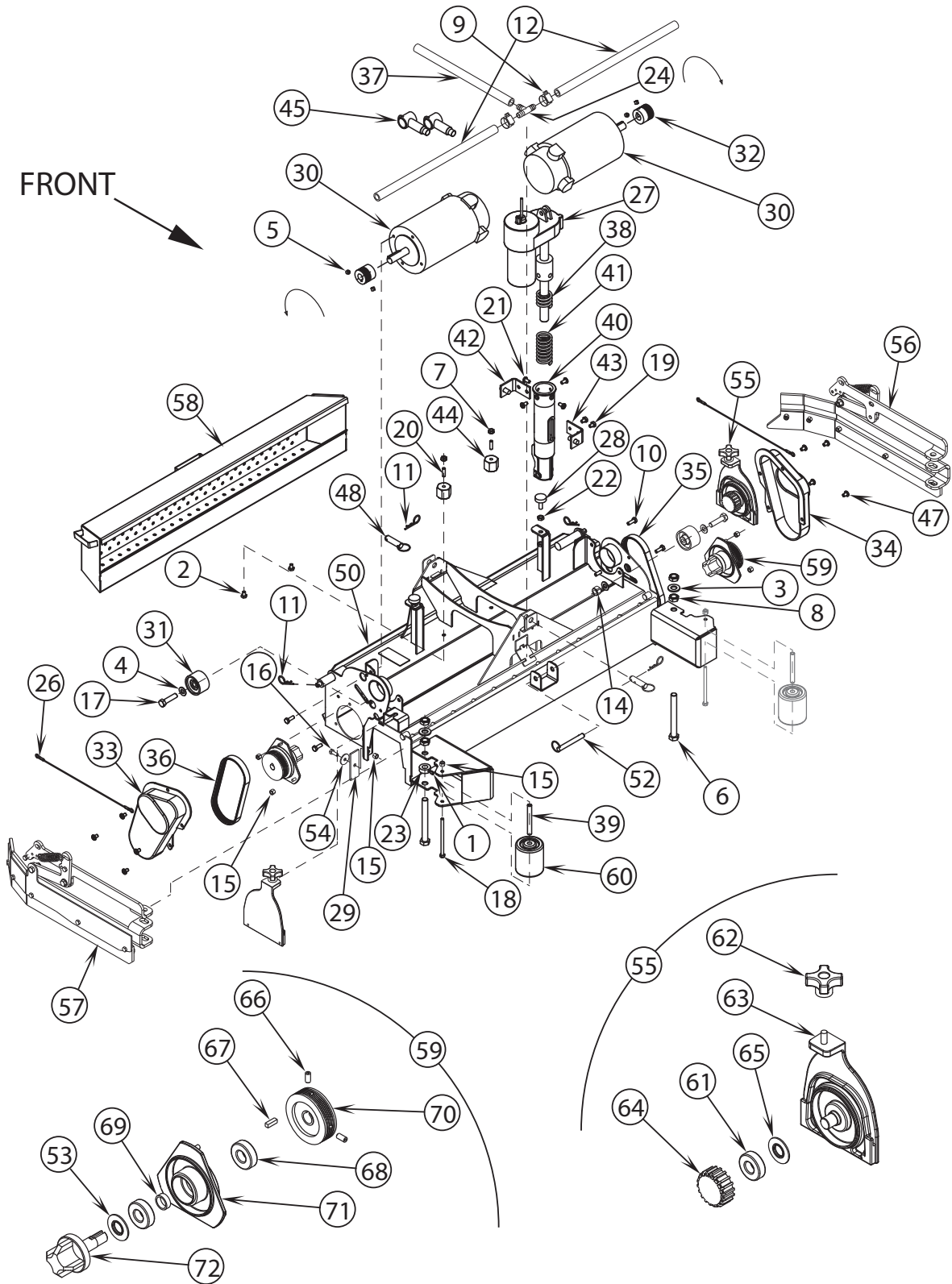
- [1] - Kit includes 1 Connection Box, 2 Curved Brushes, 1 Brush Holder and Hardware.



Pos.	Artikel-Nr.	Menge	Variante	Notes
1	56002043	8	Schraube 10-24 x 38	
2	56002098	7	Scheibe	
3	56002108	6	Schraube PAN HD PHIL 1/4-	
4	56002507	4	SCR PAN PHIL 1/4-20 X .75	
5	56002760	12	Schraube 1/4 20 x 62	
6	56002793	1	Schraube PAN PHIL 5/16-18	
7	56002896	5	Schraube SS10-24X0	
8	56009191	2	Schraube PAN PHIL 10-14x.	
9	56324497	2	Schwimmgitter zu BA 700	
10	56385599	1	SCHLAUCH 2'X8'	
11	56314704	1	Gummidichtung	
12	56385564	1	Klemme	
13	56391690	1	Schwimmerball	
14	56407361	1	Plastikklammer zu BR 850	
15	56440213	3	Schlauchbride	
16	56212236	1	Schlauchbride BR 850	
17	56314098	2	FOAM CYLINDER	
19	56314100	1	Deckplatte f. Auspuff	
20	56314101	1	Grundplatte f. Auspuff	
21	56413846	1	Dichtung umlaufend	
22	56314115	1	Gelenkbolzen	
23	56382619	1	Abdeckung	
24	56391807	1	SCHLAUCH	
25	56316542	1	COVER-VAC MOTOR	
26	56316544	1	LID-RECOVERY TANK	
27	56314220	2	Befestigungswinkel f.Tank	
28	56001954	9	WSH FLT SAE 10	
29	56314371	1	Dichtung SchmutzwassertanBR 950 S	
30	56314372	1	Filtersieb	
31	56314373	1	Filterschwamm BR 700 S	
32	56314376	1	Abscheiderdeckel	
33	56314400	1	Bowdenzug	
34	56109539	1	Dichtung	
35	56314484	3	Befestigung	
36	56314488	1	Schalldämpfer	
37	56477613	1	Kabelbändli 7x380mm	
38	56314509	1	Feder	
39	56384740	1	Schlauch PU	
40	56390832	1	Schmutzwassertank	
41	56384759	1	HOSE-MOLDED-RIBBED-PU	[1]
41	56601410	1	Ablaufschlauch	[2]
41	56601411	1	Ablassschlauchdeckel komplBA 755	[2]
42	56316641	2	BUMPER-REAR	
43	56316642	1	BUMPER-REAR MIDDLE	
44	56314760	1	Dichtung	
45	56314706	1	Schaumstoff	
46	56212223	1	CARBON BRUSH SET OF 2	[3]
46	56314251	1	Kabelbaum Tank	[2]
46	56410065	1	Saugmotor 36V 3St	[4]
47	56314705	1	Schaumstoff	
48	56109695	1	Sieb	
49	56390848	1	Schlauch geformt	

Part Notes:

- [1] - TSB-US 2011-0015 - Suction Hose Improvement
- [2] - NOT SHOWN
- [3] - NOT SHOW
- [4] - M5



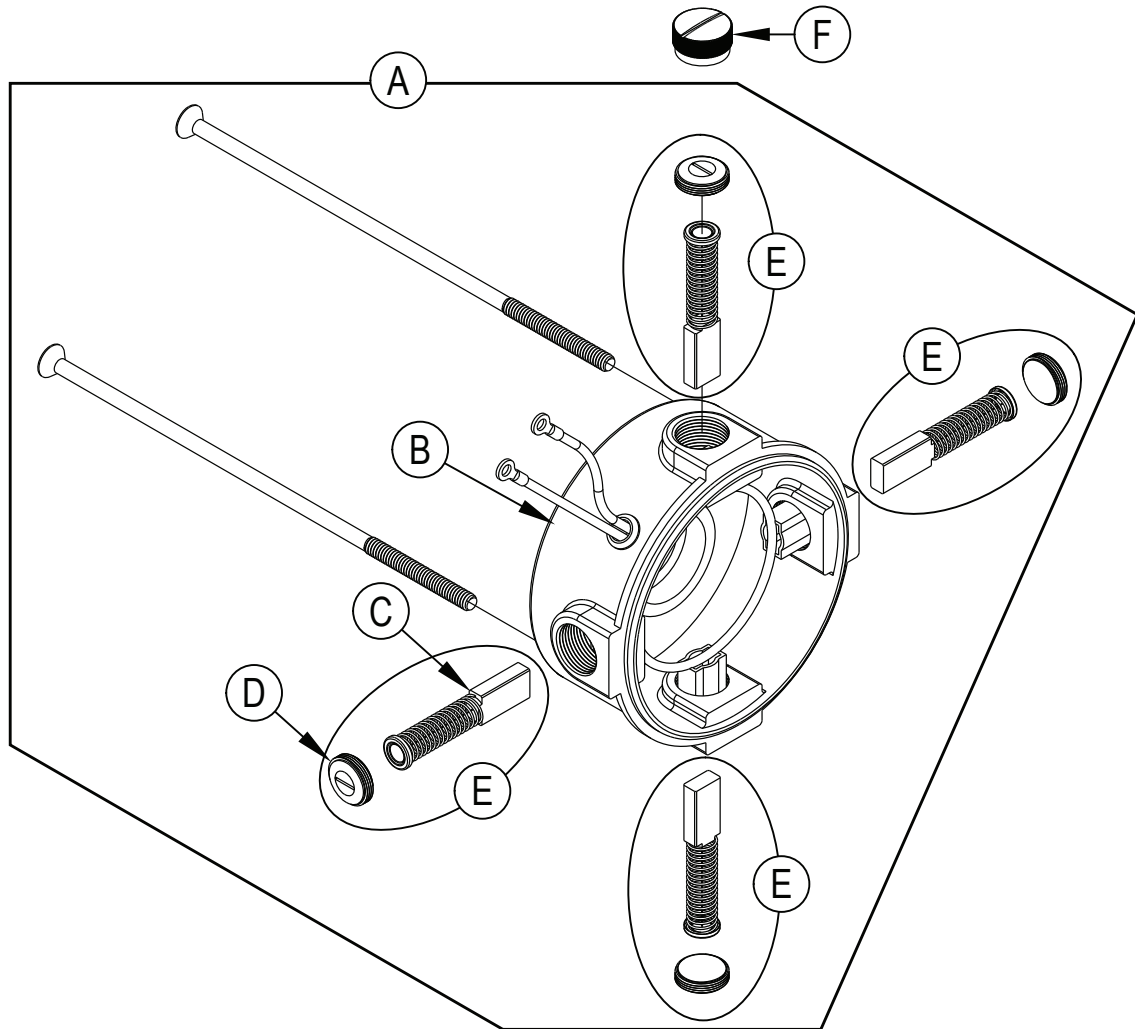
Pos.	Artikel-Nr.	Menge	Variante	Notes
01	56001841	2	Madenschraube	
02	56001861	2	SCR HEX HD 1/4-20 X.38	
03	56002918	2	Unterlegscheibe	
04	56002910	4	"Scheibe 3/8""	
05	56002086	4	Madenschraube	
06	56003937	2	SCR-HEX SS 1/2-13 X 4.50	
07	56002561	2	NUT HEX W/SHRPF 1/4/20	
08	56002854	4	NUT HEX NYL LOC-THIN SS 1/2-13	
09	56112771	2	CLAMP HOSE SAE 10	
10	56003221	6	SCR HEX LOC SS 1/4 20 X .75	
11	56002959	4	Splint zu BA 500	
12	56316552	2	PVC - Schutzrohr	
12	56316553	2	PVC - Schutzrohr	
14	56003438	2	NUT HEX NYL LOC SS M10-1.50	
15	56003426	10	Stopfmutter M6 Inox	
16	56003431	2	Schraube M6 x 16	
17	56003938	2	SCR-HEX SS M10-1.5 X 40MM	
18	56003939	2	SCR-HEX SS M6-1 X 95MM	
19	56009019	2	Schraube 1/4-20x.38	
20	56009020	2	Stiftschraube 1/4-20x.88	
21	56009062	4	Schraube	
22	56009086	4	NUT, HEX JAM 5/16-18	
23	56152811	2	Hülse	
24	56262549	1	Aufsatz	
26	56330391	2	Drahtseil zu BR700	
27	56393303	1	Antrieb	[1]
27	56388520	1	Spindelmutter	[2]
28	56401783	2	Anschlagschraube BR 700S	
29	56407391	2	Spritzschutz vorne/hinten	
30	56407431	2	Bürstenmotor zu BR 850/C	[3]
30	56410183	1	BEARING F.E.	[2]
30	56407489	1	ARMATURE	[2]
30	56314254	1	Anschlußkabel Bürstenmotor	
30	56407494	4	Abdeckung f. Kohlebürste	[4]
31	56407432	2	Spannrolle	
32	56407433	2	Scheibe, Poly-V	
33	56407434	1	Riemengehäuse rechtszu BR 700/C	
34	56407435	1	Riemengehäuse linkszu BR 700/C	
35	56407465	1	Riemen, Poly-V 180J6	
36	56407466	1	Riemen, Poly-V 190J6	
37	56409462	1	Schlauch 0.50x12.0	
38	56412071	1	Druckfeder	
39	56412176	2	Lager	
40	56412262	1	Federgehäuse BA750/850	
41	56420018	1	Springfeder unten BR 700C	
42	56420019	1	Mutter arretierung	
43	56420020	1	Mutter arretierung	
44	56469858	2	INSULATED STANDOFF	
45	56493357	2	INSULATOR TERMINAL	
47	56003603	8	Schraube 1/4-2 OX.38	
48	56003671	2	Bolzen 0.5x1.25	
50	56316670	1	Gehäuse 32	
51	56314254	1	Anschlußkabel Bürstenmotor	[2]
52	56314294	1	Bolzen 0.375x3.0	
53	56407558	1	Scheibe zu BR 850	
54	56009060	2	SCHEIBE-U	
55	56314445	2	Bürstenhalterung kompl.zu BR 850SC	[5]
56	56314648	1	Seitenschürze, links	[6]
57	56314649	1	Seitenschürze, rechts	[6]

Pos.	Artikel-Nr.	Menge	Variante	Notes
58	56316671	1	Halterung-32	
59	56407559	2	Bürstenlager Antriebseite	[7]
60	56412459	2	Rad	
61	56106070	1	BEARING BALL Z22	
62	56407303	1	Rändelmutter	
63	56315447	1	Spannradträger	
64	56407551	1	Bürstenklaue zu BR 850/C	[8]
65	56407558	1	Scheibe zu BR 850	
66	56002119	2	Schraube 1/4-20x50zu BR 1000	
67	56003237	1	Keil 19x.62	
68	56106070	2	BEARING BALL Z22	
69	56407389	1	Distanzbüchse	
70	56407442	1	Riemenscheibe POLY-V	
71	56381765	1	Lagerplatte	
72	56109527	1	Bürstenklaue BR 950	

Part Notes:

- [1] - M1
- [2] - NOT SHOWN
- [3] - M7 & M8
- [4] - SEE TSB-FC-2015-040
TSB-FC-2015-040 Replacement Parts
- [5] - 61-65
EXPIRED USE 56115344
- [6] - See "SKIRT ASSEMBLIES-CYLINDRICAL".
- [7] - 53, 66-72
- [8] - EXPIRED USE 56115273

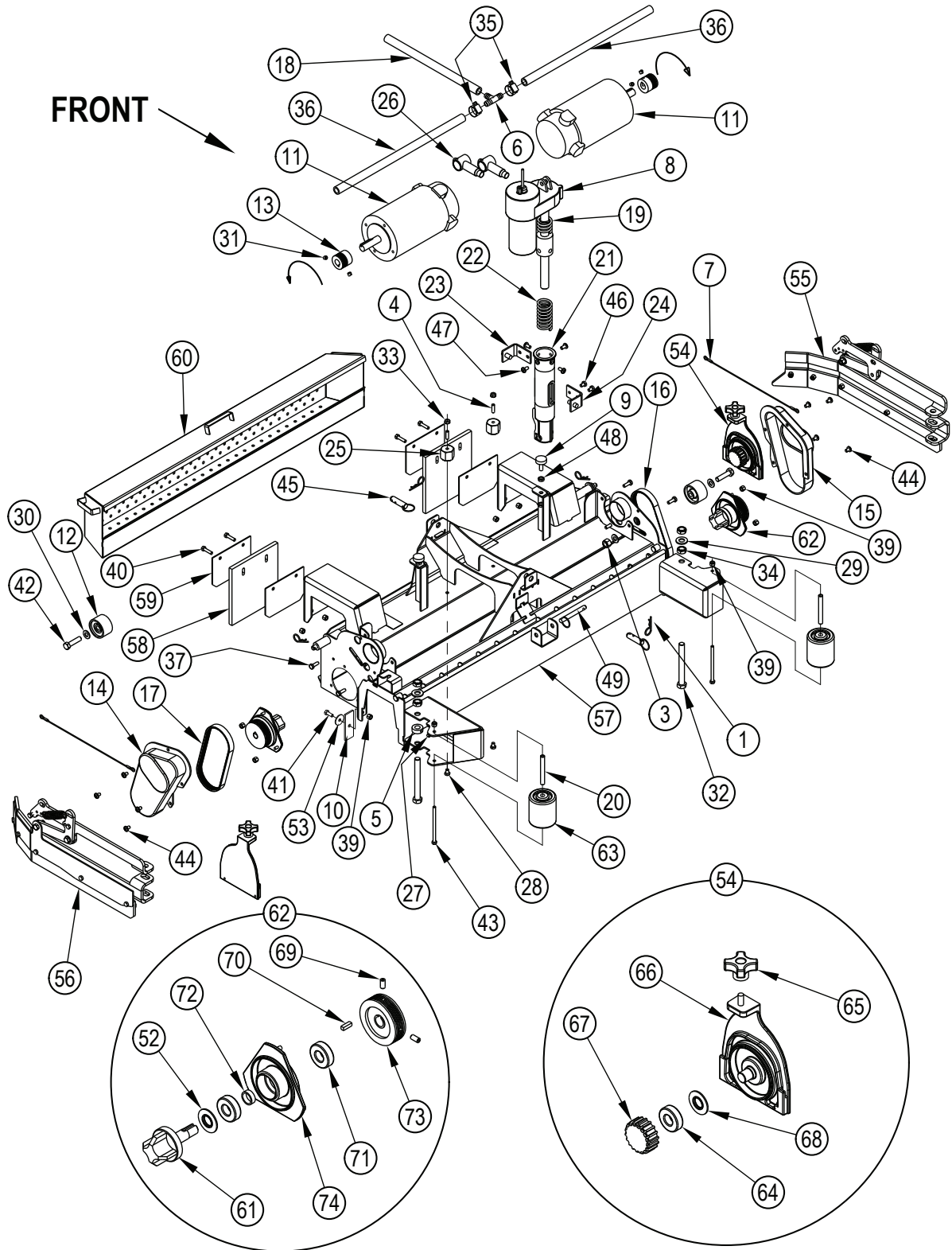
56407431 SERVICE PARTS



Pos.	Artikel-Nr.	Menge	Variante	Notes
A	56383546	1	END CAP-BRUSH-BRUSH CAP KIT	[1]
B	56383565	1	END CAP ASSY-EXT THD BRSH CAP	[2]
C	56407493	4	Kohle BR 600/650/700/800BR 850/950/1050	[3]
D	56383529	4	CAP-BRUSH EXT THD	[2]
E	56383547	1	BRUSH-BRUSH CAP KIT	[2]
F	56383528	4	CAP-BRUSH INT THD	[4]

Part Notes:

- [1] - Used on all generations of 56407431 (Includes B-D).
- [2] - NOTE 2: Used on Scott model 4BC-3145.
- [3] - NOTE 3: Used on all generations of 56407431.
- [4] - NOTE 4: Used on Scott models 4BCX881 4BC2890 if 56383546 has not been installed.



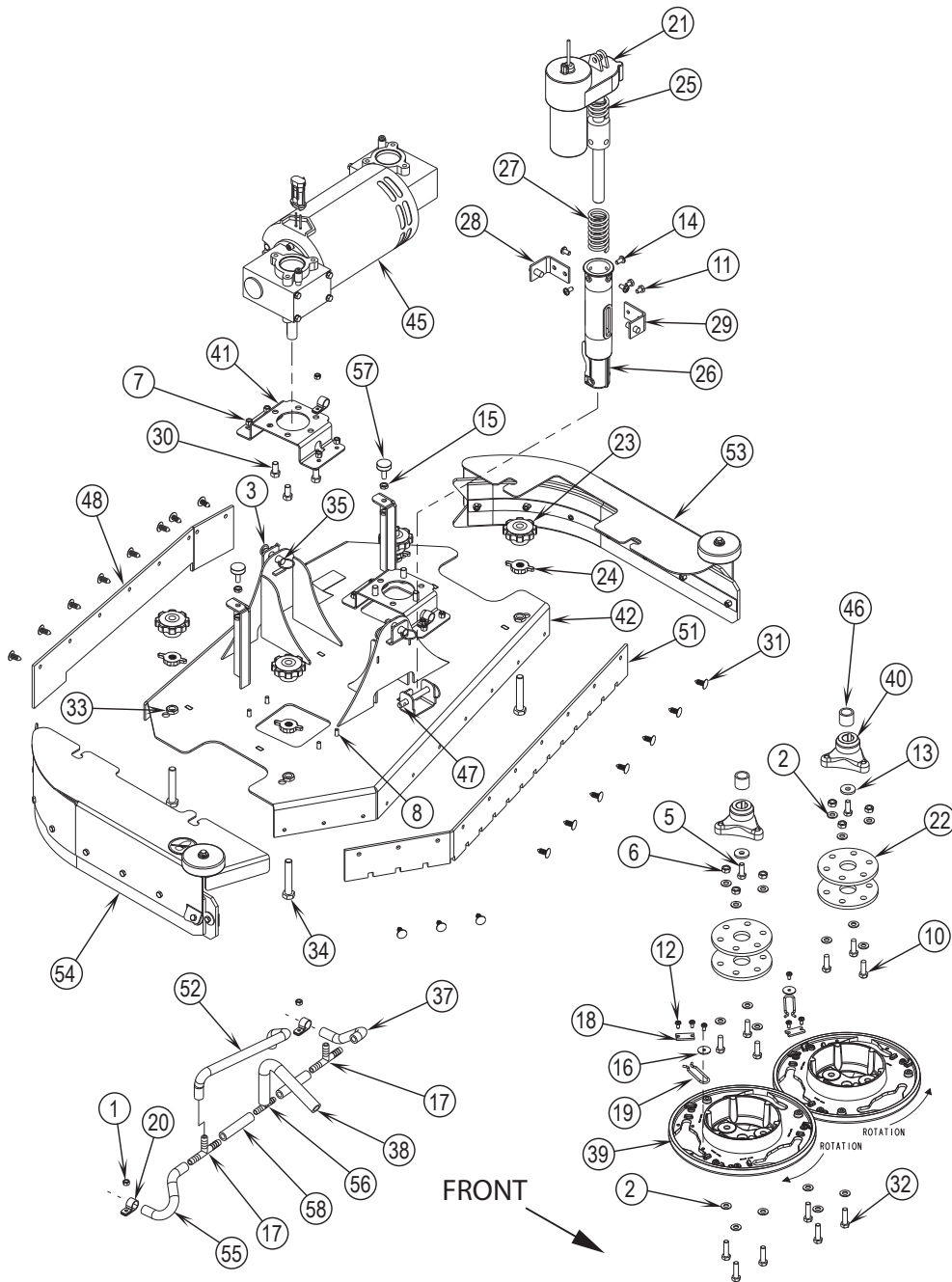
Pos.	Artikel-Nr.	Menge	Variante	Notes
01	56002959	4	Splint zu BA 500	
03	56003438	2	NUT HEX NYL LOC SS M10-1.50	
04	56009020	2	Stiftschraube 1/4-20x.88	
05	56152811	2	Hülse	
06	56262549	1	Aufsatz	
07	56330391	2	Drahtseil zu BR700	
08	56388520	1	Spindelmutter	[1]
08	56393303	1	Antrieb	[2]
09	56401783	2	Anschlagschraube BR 700S	
10	56407391	2	Spritzschutz vorne/hinten	
11	56407431	2	Bürstenmotor zu BR 850/C	[3]
11	56410183	1	BEARING F.E.	
11	56407493	4	Kohle BR 600/650/700/800BR 850/950/1050	
11	56407492	1	Bürsten Abdeckhaube	[4]
11	56314254	1	Anschlußkabel Bürstenmotor	
11	56407494	4	Abdeckung f. Kohlebürste	[4]
11	56407489	1	ARMATURE	[1]
12	56407432	2	Spannrolle	
13	56407433	2	Scheibe, Poly-V	
14	56407434	1	Riemengehäuse rechtszu BR 700/C	
15	56407435	1	Riemengehäuse linkszu BR 700/C	
16	56407465	1	Riemen, Poly-V 180J6	
17	56407466	1	Riemen, Poly-V 190J6	
18	56409462	1	Schlauch 0.50x12.0	
19	56412071	1	Druckfeder	
20	56412176	2	Lager	
21	56412262	1	Federgehäuse BA750/850	
22	56420018	1	Springfeder unten BR 700C	
23	56420019	1	Mutter arretierung	
24	56420020	1	Mutter arretierung	
25	56469858	2	INSULATED STANDOFF	
26	56493357	2	INSULATOR TERMINAL	
27	56001841	2	Madenschraube	
28	56001861	2	SCR HEX HD 1/4-20 X.38	
29	56002918	2	Unterlegscheibe	
30	56002910	4	"Scheibe 3/8""	
31	56002086	4	Madenschraube	
32	56003937	2	SCR-HEX SS 1/2-13 X 4.50	
33	56002561	2	NUT HEX W/SHRPF 1/4/20	
34	56002854	4	NUT HEX NYL LOC-THIN SS 1/2-13	
35	56112771	2	CLAMP HOSE SAE 10	
36	56316550	2	PVC - Rohr	
36	56316551	2	Plastikrohr	
37	56003221	6	SCR HEX LOC SS 1/4 20 X .75	
39	56003426	14	Stopfmutter M6 Inox	
40	56003430	4	Schraube HEX SS M6-1.00x2	[5]
41	56003431	2	Schraube M6 x 16	
42	56003938	2	SCR-HEX SS M10-1.5 X 40MM	
43	56003939	2	SCR-HEX SS M6-1 X 95MM	
44	56003603	8	Schraube 1/4-2 OX.38	
45	56003671	2	Bolzen 0.5x1.25	
46	56009019	2	Schraube 1/4-20x.38	
47	56009062	4	Schraube	
48	56009086	4	NUT, HEX JAM 5/16-18	
50	56314254	1	Anschlußkabel Bürstenmotor	[1]
51	56314294	1	Bolzen 0.375x3.0	
52	56407558	1	Scheibe zu BR 850	
53	56009060	2	SCHEIBE-U	
54	56314445	2	Bürstenhalterung kompl.zu BR 850SC	[6]

Pos.	Artikel-Nr.	Menge	Variante	Notes
55	56314648	1	Seitenschürze, links	[7]
56	56314649	1	Seitenschürze, rechts	[7]
57	56316675	1	HOUSING WELDT-38	[8]
58	56390791	1	Gummileiste	[9]
58	56314860	1	Spritz Gummi-Set, rot	[10]
59	56316673	4	STRAP	
60	56316676	1	HOPPER WELDT-38	[8]
61	56109527	1	Bürstenklaue BR 950	
62	56407559	2	Bürstenlager Antriebseite	[11]
63	56412459	2	Rad	
64	56106070	1	BEARING BALL Z22	
65	56407303	1	Rändelmutter	
66	56315447	1	Spannradträger	
67	56407551	1	Bürstenklaue zu BR 850/C	[12]
68	56407558	1	Scheibe zu BR 850	
69	56002119	2	Schraube 1/4-20x50zu BR 1000	
70	56003237	1	Keil 19x.62	
71	56106070	2	BEARING BALL Z22	
72	56407389	1	Distanzbüchse	
73	56407442	1	Riemenscheibe POLY-V	
74	56381765	1	Lagerplatte	

Part Notes:

- [1] - NOT SHOWN
- [2] - M1
- [3] - M7 & M8
- [4] - SEE TSB-FC-2015-040
TSB-FC-2015-040 Replacement Parts
- [5] - EXPIRED USE 56003695
- [6] - 64-68
EXPIRED USE 56115344
- [7] - See "SKIRT ASSEMBLIES-CYLINDRICAL".
- [8] - BR 1050S
- [9] - Deck Blade Kits include two (item 58) Blades and two blades for use in Skirt Assemblies (items 55 56).
- [10] - STANDARD -

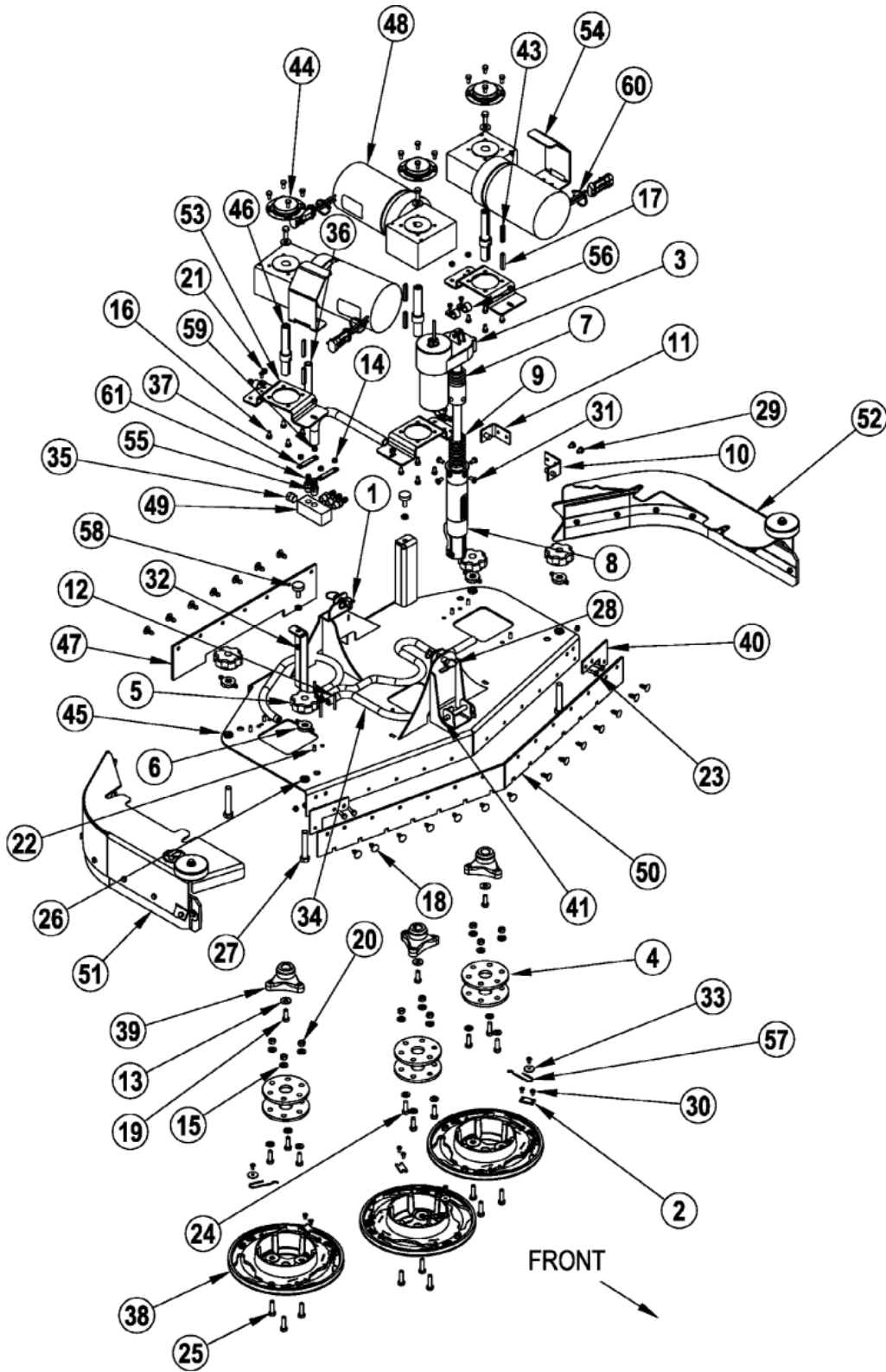
NOTE 2: Deck Blade Kits include two (item 58) Blades and two blades for use in Skirt Assemblies (items 55 56).
- [11] - 52, 61, 69-74
- [12] - EXPIRED USE 56115273



Pos.	Artikel-Nr.	Menge	Variante	Notes
1	56002768	2	1/4-20 NYLOC NUT	
2	56002938	18	WSH FLT SAE SS 5/16	
3	56002959	4	Splint zu BA 500	
	56315722	1	Seitenschürzen-Set, Gummi	
	56315721	1	Seitenschürzen-Set, rot	
5	56003335	2	Schraube HEX	
6	56003405	6	Stopmutter M8 Inox	
7	56003426	8	Stopmutter M6 Inox	
8	56003431	8	Schraube M6 x 16	
10	56003477	6	Schraube M 8-1.25x25	
11	56009019	2	Schraube 1/4-20x.38	
12	56009030	6	Schraube 10-2	
13	56009057	2	WSHFLTHARD.344x1.000x	
14	56009062	4	Schraube	
15	56009086	4	NUT, HEX JAM 5/16-18	
16	56009096	2	Scheibe zu BR 1000	
17	56249280	2	T-Stück 3/8x3/8	
18	56366455	2	Platte zu BR 1000	
19	56366463	2	Federnicht mehr bestellen	
20	56385564	2	Klemme	
21	56393303	1	Antrieb	
	56388520	1	Spindelmutter	
22	56383238	4	BRUSH DRIVE DISC	
23	56380149	4	Rändelschraube	[1]
24	56601578	4	Drehknopf	
25	56412071	1	Druckfeder	
26	56412262	1	Federgehäuse BA750/850	
27	56420018	1	Springfeder unten BR 700C	
28	56420019	1	Mutter arretierung	
29	56420020	1	Mutter arretierung	
30	56002885	6	SCR HEX HD SS 3/8-16X0	
31	56003263	18	"Nylonstift 0.25""	
32	56003639	6	Schraube HEX SSM8-1,25x30	
33	56003657	4	Mutter M12-1.75	
34	56003658	4	Schraube	
35	56003671	2	Bolzen 0.5x1.25	
37	56249682	1	SCHLAUCH	
38	56262180	1	Spiralschlauch 50x7	
39	56314030	2	Bürstenhalter BA 650	
40	56314108	2	Bürstenflansch BR 1300/S	
41	56316680	2	BRACKET-MOTOR	
42	56316681	1	WELDT-DISK DECK 32	
45	56315704	1	Motor m. Getriebe	
	56315711	2	Getriebe	
46	56315705	2	Hülse	
47	56314294	1	Bolzen 0.375x3.0	
48			See Disk Deck Blade Kits below	
51			See Disk Deck Blade Kits below	
52	56412189	1	Bremsschlauch BR 700	
53	56314898	1	Seitenschürze, links	[2]
54	56314896	1	Seitenschürzen-Kit, recht	[2]
55	56392277	1	Schlauch	
56	56397300	1	T-Stück	
57	56401783	2	Anschlagschraube BR 700S	
58	56412187	2	Frischwasserverbindungs-	
	56314914	1	Seitenschürzen-Set	[3]
	56314918	1	Spritz Gummi-Set	[4]

Part Notes:

- [1] - TSB US 2010-1060. Identification of Disk Brush Motors
- [2] - See "SKIRT ASSEMBLIES-DISK [BR850S]"
- [3] - These Disk Deck Blade Kits include the mounting fasteners (Rivet, Nylon Tree Push-In 56003263 item 31), the two blades (items 51 48) and two blades for use in Skirt Assemblies (items 53 54). Optional
- [4] - Standard These Disk Deck Blade Kits include the mounting fasteners (Rivet, Nylon Tree Push-In 56003263 item 31), the two blades (items 51 48) and two blades for use in Skirt Assemblies (items 53 54)



Pos.	Artikel-Nr.	Menge	Variante	Notes
01	56002959	2	Splint zu BA 500	
02	56366455	3	Platte zu BR 1000	
03	56393303	1	Antrieb	[1]
03	56388520	1	Spindelmutter	[2]
04	56383238	6	BRUSH DRIVE DISC	
05	56380149	4	Rändelschraube	[3]
06	56601578	4	Drehknopf	
07	56412071	1	Druckfeder	
08	56412262	1	Federgehäuse BA750/850	
09	56420018	1	Springfeder unten BR 700C	
10	56420019	1	Mutter arretierung	
11	56420020	1	Mutter arretierung	
12	56002020	4	SCR PAN PHIL 10 24 X 1.75	
13	56002220	6	WSH FLT CUT 5/16	
14	56002768	4	1/4-20 NYLOC NUT	
15	56002938	18	WSH FLT SAE SS 5/16	
16	56003211	24	Schraube HEX HDSS	
17	56003246	3	Keil 25 x 1,62	
18	56003263	21	"Nylonstift 0.25""	
19	56003335	6	Schraube HEX	
20	56003405	9	Stopmutter M8 Inox	
21	56003426	13	Stopmutter M6 Inox	
22	56003431	9	Schraube M6 x 16	
23	56003896	4	SCR-PAN PHIL SS M6-1.0 X 20MM	[4]
24	56003477	9	Schraube M 8-1.25x25	
25	56003639	9	Schraube HEX SSM8-1,25x30	
26	56003657	4	Mutter M12-1.75	
27	56003658	4	Schraube	
28	56003671	2	Bolzen 0.5x1.25	
29	56009019	2	Schraube 1/4-20x.38	
30	56009030	13	Schraube 10-2	
31	56009062	4	Schraube	
32	56009086	4	NUT, HEX JAM 5/16-18	
33	56009096	3	Scheibe zu BR 1000	
34	56391771	3	HOSE E00603	
35	56261421	1	Plug Pipe (SH460)	
36	56302015	1	HOSE PVC 4.0 E00603	
37	56304601	2	Platte	
38	56314030	3	Bürstenhalter BA 650	
39	56314108	3	Bürstenflansch BR 1300/S	
40	56316679	2	SKIRT BRKT-FORWARD	[4]
41	56314294	1	Bolzen 0.375x3.0	
42	56900034	4	Adapter	
43	56314359	3	Keil	
44	56314499	3	Deckel f. Getriebe	
45	56316682	1	WELDT-DISK DECK 35-38	
46	56314687	3	Welle	
47		1	SEE POS. 100, DISK DECK BLADE KITS BELOW	[5]
48	56314785	1	Getriebe	[2]
48	56314786	1	Kohlebürstenkit	[6]
48	56314784	1	Bürstenmotor 36V 450W	[2]
48	56314789	3	Bürstenantriebsmotor	[7]
49	56314790	1	Verteiler	
50		1	SEE POS. 100, DISK DECK BLADE KITS BELOW	[5]
51	56314820	1	Seitenschürze kpl. rechts	[8]
52	56314821	1	Seitenschürze, links	[8]
53	56316683	3	BRACKET-MOTOR	
54	56316684	2	BRACKET-MOTOR GUARD	
55	56373456	1	ANSCHLUSS 1/2X1/4 BR SP	

Pos.	Artikel-Nr.	Menge	Variante	Notes
56	56385564	4	Klemme	
57	56397081	3	Federhalter BA 650	
58	56401783	2	Anschlagschraube BR 700S	
59	56409462	1	Schlauch 0.50x12.0	
60	56478246	3	CABLE TIE E00549 RE438BA	
100	56390796	1	Seitenschürzenkit	[9]
100	56314848	1	Spritz Gummi-Set, rot	[10]

Part Notes:

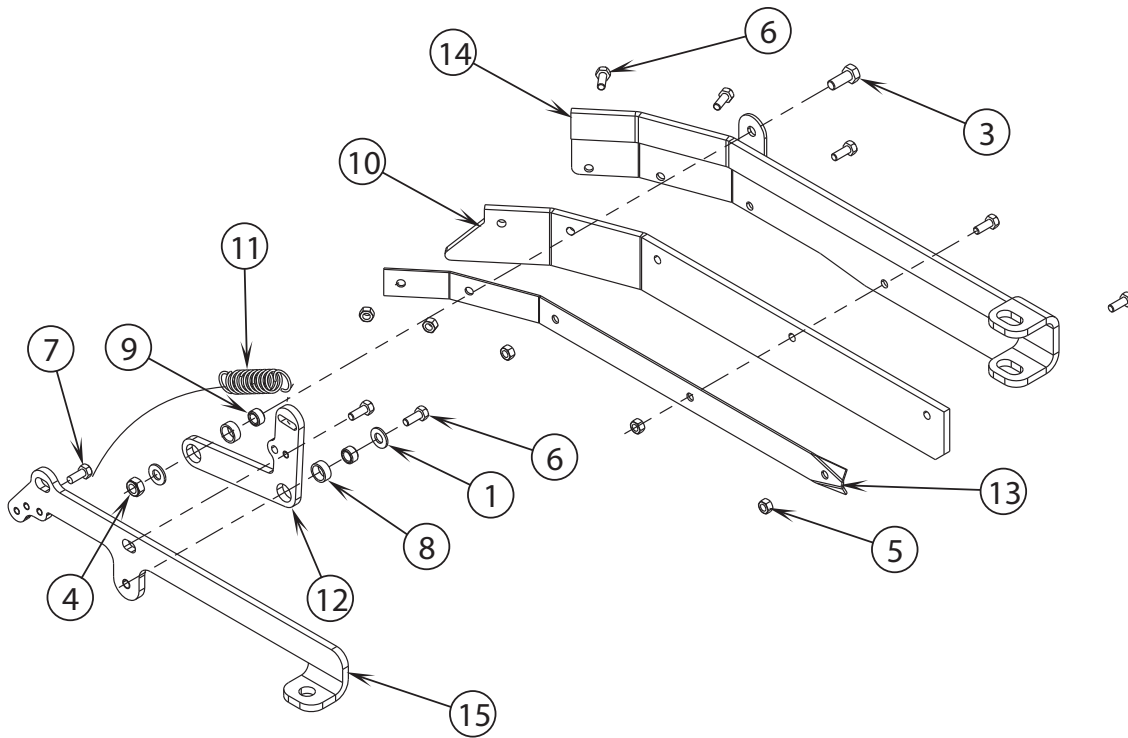
- [1] - M1
- [2] - NOT SHOWN
- [3] - TSBUS2010-1060
- [4] - BR 1050S
- [5] - SEE POS. 100, DISK DECK BLADE KITS BELOW
- [6] - 1 KIT PER MOTOR, NOT SHOWN
- [7] - M7, M8, M10
- [8] - See "SKIRT ASSEMBLIES-DISK (BR 1050S)".
- [9] - OPTIONAL -

These Disk Deck Blade Kits include the mounting fasteners (Rivet, Nylon Tree Push-In 56003263 item 18), the two blades (items 47 50) and two blades for use in Skirt Assemblies (items 51 52).

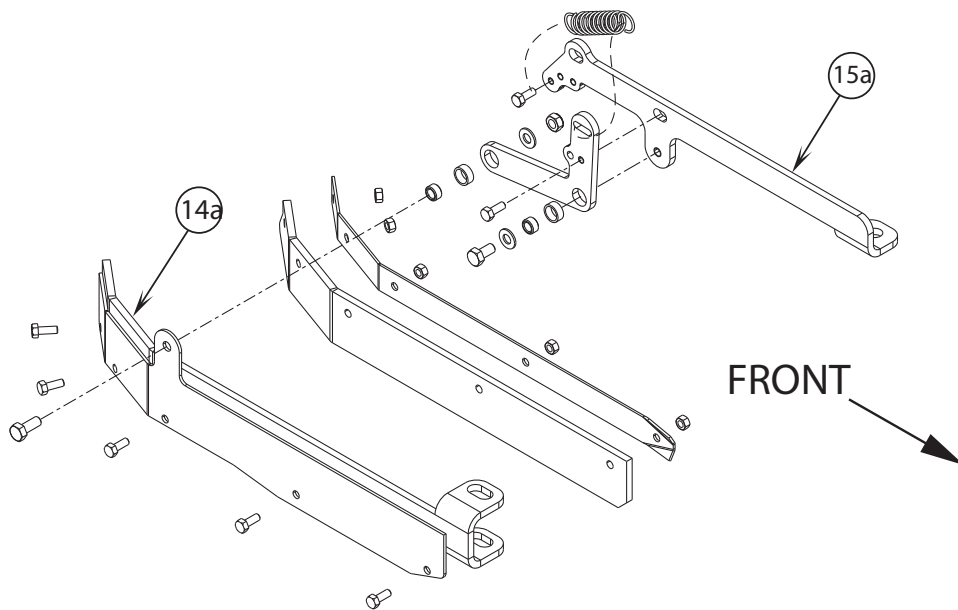
- [10] - STANDARD -

These Disk Deck Blade Kits include the mounting fasteners (Rivet, Nylon Tree Push-In 56003263 item 18), the two blades (items 47 50) and two blades for use in Skirt Assemblies (items 51 52).

56314648-LEFT SKIRT ASSEMBLY



56314649-RIGHT SKIRT ASSEMBLY



Pos.	Artikel-Nr.	Menge	Variante	Notes
	56314648	1	Seitenschürze, links	
	56314649	1	Seitenschürze, rechts	
01	56002938	2	WSH FLT SAE SS 5/16	
03	56003933	1	SCR-HEX FT SS M8-1.25 X 20MM	
04	56003405	1	Stopmutter M8 Inox	
05	56003426	5	Stopmutter M6 Inox	
06	56003431	7	Schraube M6 x 16	
07	56003934	1	SCR-HEX LOC SS M6-1 X 16MM	
08	56185263	2	BEARING SLEAVE E00202	
09	56320595	2	BUECHSE	
10	56407447	1	Spritz Gummi	[1]
10	56390791	1	Gummileiste	[2]
10	56314860	1	Spritz Gummi-Set, rot	[3]
10	56410335	1	Seitengummi	[4]
11	56470672	1	Feder	
12	56316643	1	ARM-MOUNT	
13	56316644	1	RETAINER-SKIRT	
14	56316645	1	SKIRT BRACKET WELDT-LEFT	
14A	56316646	1	SKIRT BRACKET WELDT-RIGHT	
15	56316647	1	BRACKET-LEFT MNT	
15A	56316648	1	BRACKET-RIGHT MNT	

Part Notes:

[1] - OPTIONAL

[2] - OPTIONAL,

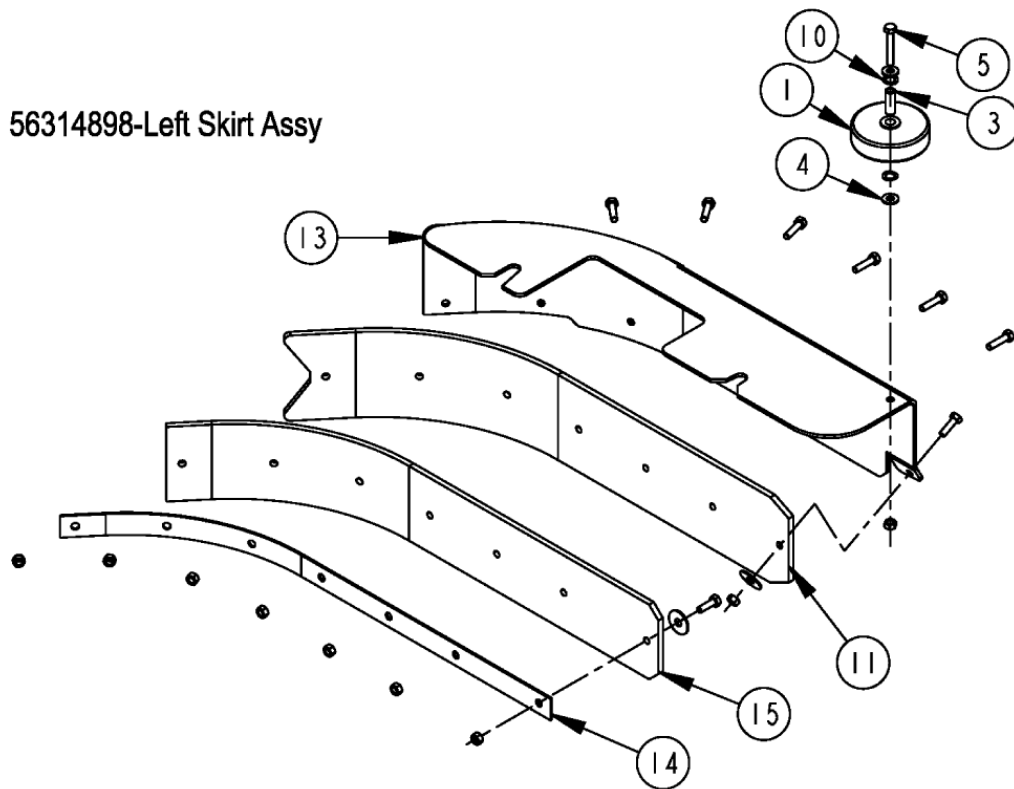
For use on BR 1050S decks. Deck Blade Kits include two (item 10) Blades and two Deck Blades (item 58) in "Scrub System-Cylindrical (BR 1050S)".

[3] - STANDARD,

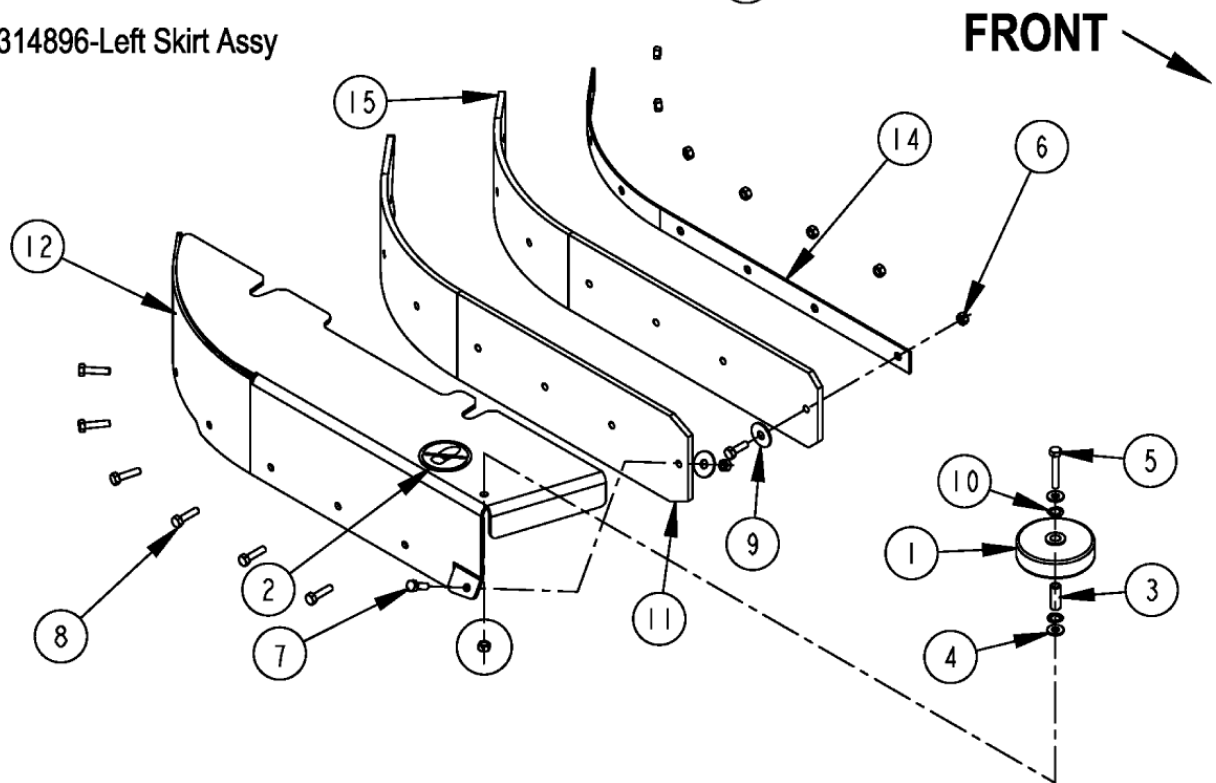
For use on BR 1050S decks. Deck Blade Kits include two (item 10) Blades and two Deck Blades (item 58) in "Scrub System-Cylindrical (BR 1050S)".

[4] - STANDARD

56314898-Left Skirt Assy



56314896-Left Skirt Assy



Pos.	Artikel-Nr.	Menge	Variante	Notes
	56314898	1	Seitenschürze, links	
	56314896	1	Seitenschürzen-Kit, recht	
01	56324499	1	Rad 4,00 x 0,781	
02	56016163	1	Aufkleber no-Step	[1]
03	56471220	1	Distanzscheibe	
04	56002859	2	Mutter SS 1/4	
05	56003935	1	SCR-HEX SS M6-1 X 40MM	
06	56003426	9	Stopfmutter M6 Inox	
07	56003454	2	Schraube HEX ZHD TO HD	
08	56003693	6	Niete, Nylon	
09	56003696	2	Unterlegscheibe	
10	56009045	2	WASHER, BOWED	
11		1	SEE POS. 100, DISK DECK BLADE KITS	[2]
12	56316649	1	FRAME-SKIRT RH	
13	56316650	1	FRAME-SKIRT LH	
14	56316651	1	RETAINER-BLADE	
15		1	SEE POS. 100, DISK DECK BLADE KITS	[2]
100	56314914	1	Seitenschürzen-Set	[3]
100	56315722	1	Seitenschürzen-Set, Gummi	[4]
100	56314918	1	Spritz Gummi-Set	[5]
100	56315721	1	Seitenschürzen-Set, rot	[4]

Part Notes:

[1] - RIGHT SKIRT ASSEMBLY ONLY

[2] - SEE POS. 100, DISK DECK BLADE KITS

[3] - OPTIONAL,

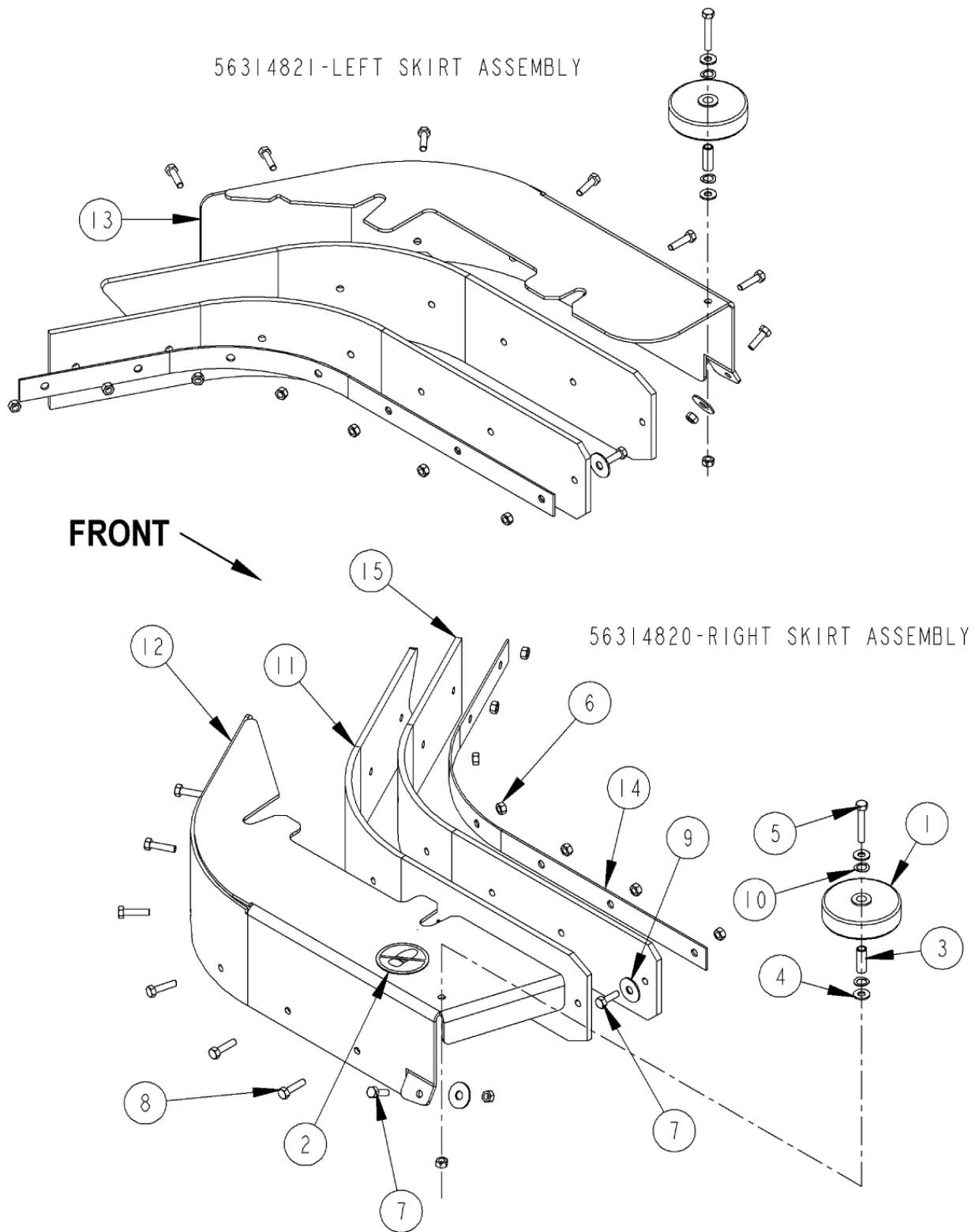
These Disk Deck Blade Kits include the mounting fasteners (Rivet, Nylon Tree Push-In 56003263), four skirt blades (items 11 15) and the two deck blades (front and rear).

[4] - OPTIONAL,

These Disk Deck Blade Kits include just the blades for use in the two Skirt Assemblies.

[5] - STANDARD,

These Disk Deck Blade Kits include the mounting fasteners (Rivet, Nylon Tree Push-In 56003263), four skirt blades (items 11 15) and the two deck blades (front and rear).



Pos.	Artikel-Nr.	Menge	Variante	Notes
	56314821	1	Seitenschürze, links	
	56314820	1	Seitenschürze kpl. rechts	
01	56324499	1	Rad 4,00 x 0,781	
02	56016163	1	Aufkleber no-Step	[1]
03	56471220	1	Distanzscheibe	
04	56002859	2	Mutter SS 1/4	
05	56003935	1	SCR-HEX SS M6-1 X 40MM	
06	56003426	9	Stopfmutter M6 Inox	
07	56003454	2	Schraube HEX ZHD TO HD	
08	56003695	6	Schraube M6	
09	56003696	2	Unterlegscheibe	
10	56009045	2	WASHER, BOWED	
11		1	SEE POS. 100 DISK DECK BLADE KITS	[2]
12	56316652	1	FRAME-SKIRT RH	
13	56316653	1	FRAME-SKIRT LH	
14	56316654	1	RETAINER-BLADE	
15		1	SEE POS. 100, DISK DECK BLADE KITS	[3]
100	56315720	1	Seitenschürzen-Set, rot	[4]
100	56314848	1	Spritz Gummi-Set, rot	[5]
100	56390796	1	Seitenschürzenkit	[6]
100	56390788	1	Seitenschürzen 38"	[7]

Part Notes:

- [1] - RIGHT SKIRT ASSEMBLY ONLY
- [2] - SEE POS. 100 DISK DECK BLADE KITS
- [3] - SEE POS. 100, DISK DECK BLADE KITS
- [4] - OPTIONAL,
These Disk Deck Blade Kits include just the blades for use in the two Skirt Assemblies.
- [5] - STANDARD,
These Disk Deck Blade Kits include the mounting fasteners (Rivet, Nylon Tree Push-In 56003263), four skirt blades (items 11 15) and the two deck blades (front rear).
- [6] - OPTIONAL,
These Disk Deck Blade Kits include the mounting fasteners (Rivet, Nylon Tree Push-In 56003263), four skirt blades (items 11 15) and the two deck blades (front rear).
- [7] - OPTIONAL, NOTE 3