

 **Nilfisk**[®]

 07351-5758060

kontakt@nilfisk-alto-shop.com



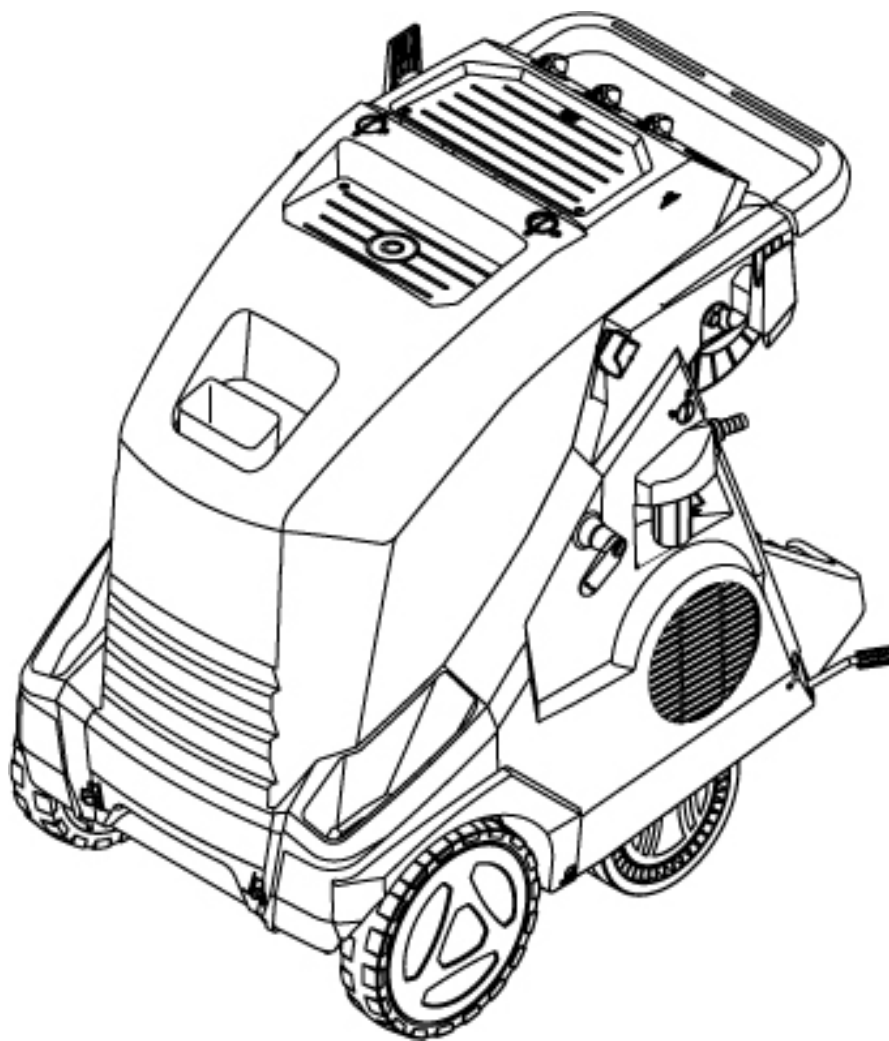
Preisabfrage bzw. Bestellungen der Artikel im Shop unter

www.nilfisk-alto-shop.com

einfach die Artikelnummer in die Suchmaske eingeben

(Bitte die Artikelnummer ohne Leerzeichen eingeben)

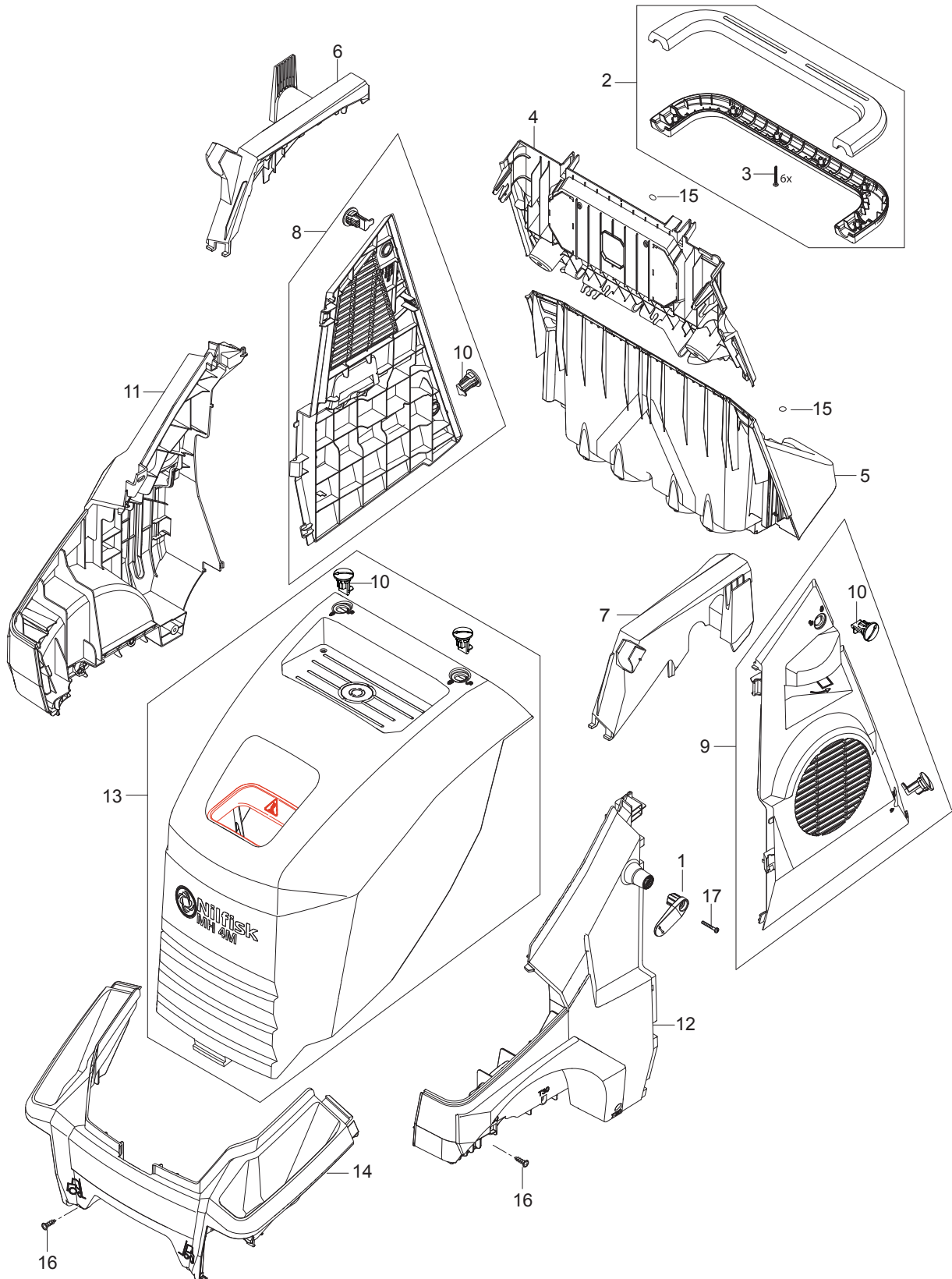
PARTS LIST



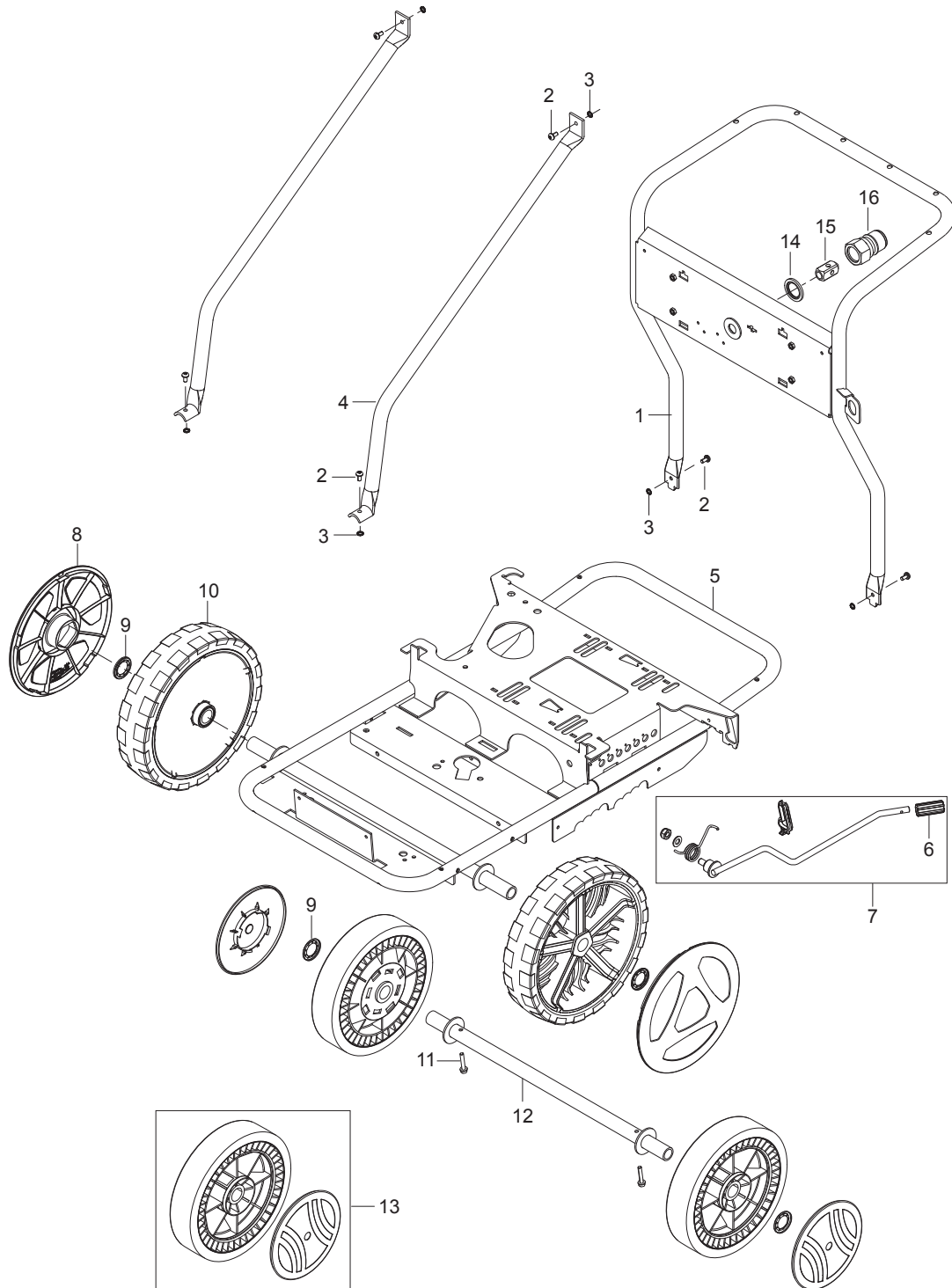
2017.02.28

TABLE OF CONTENTS

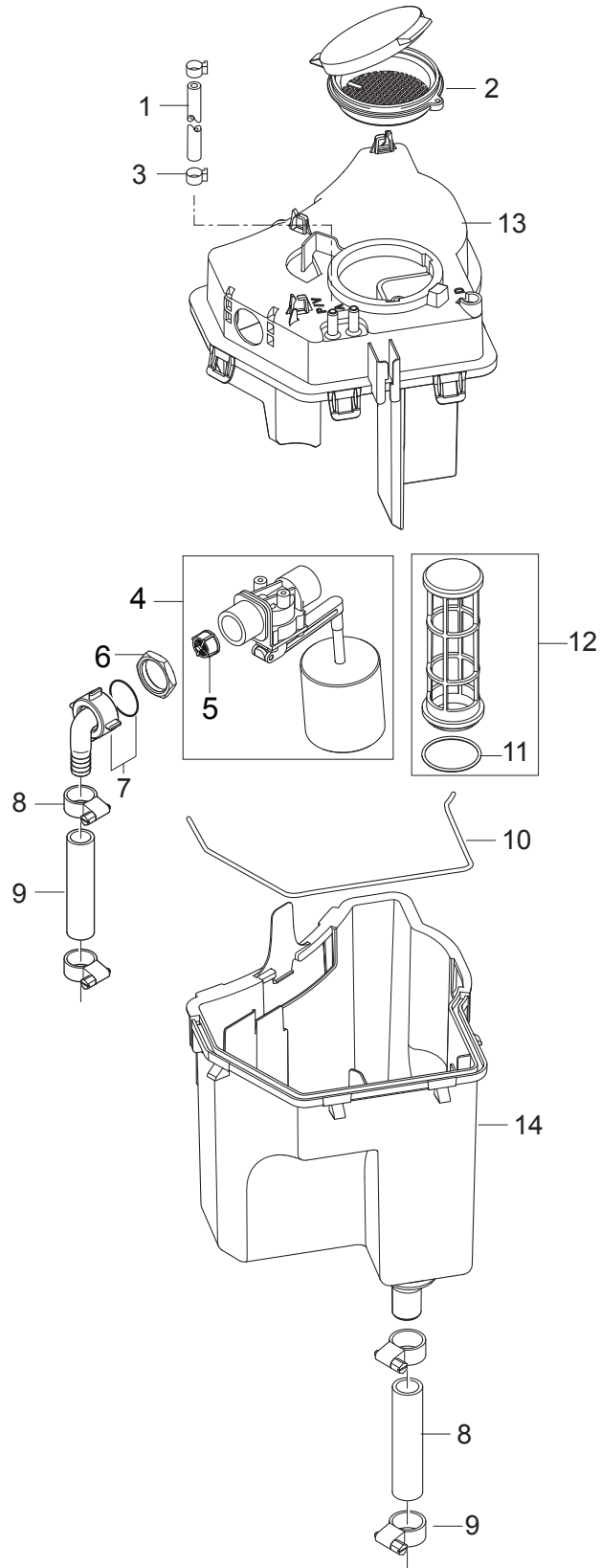
Cabinet.....	1
Chassis.....	3
Water break tank.....	5
Fuel tank.....	7
Hose reel.....	9
Water inlet_FA.....	11
1x detergent.....	13
Anti-scale.....	15
Electric box.....	17
Cables and wires.....	20
Electric box for motor Star/Delta.....	22
Electric box for motor 1~,3~ STAR and 3~ DELTA.....	24
Motor pump.....	26
Cylinder block.....	29
Water flow regulation_FA.....	31
Flow control FA.....	33
Fan.....	35
Burner unit.....	37
Boiler b2.5.....	39
Lifting device MH3_MH4 accessory.....	41
Default accessories.....	43
Sandfilter accessory.....	45



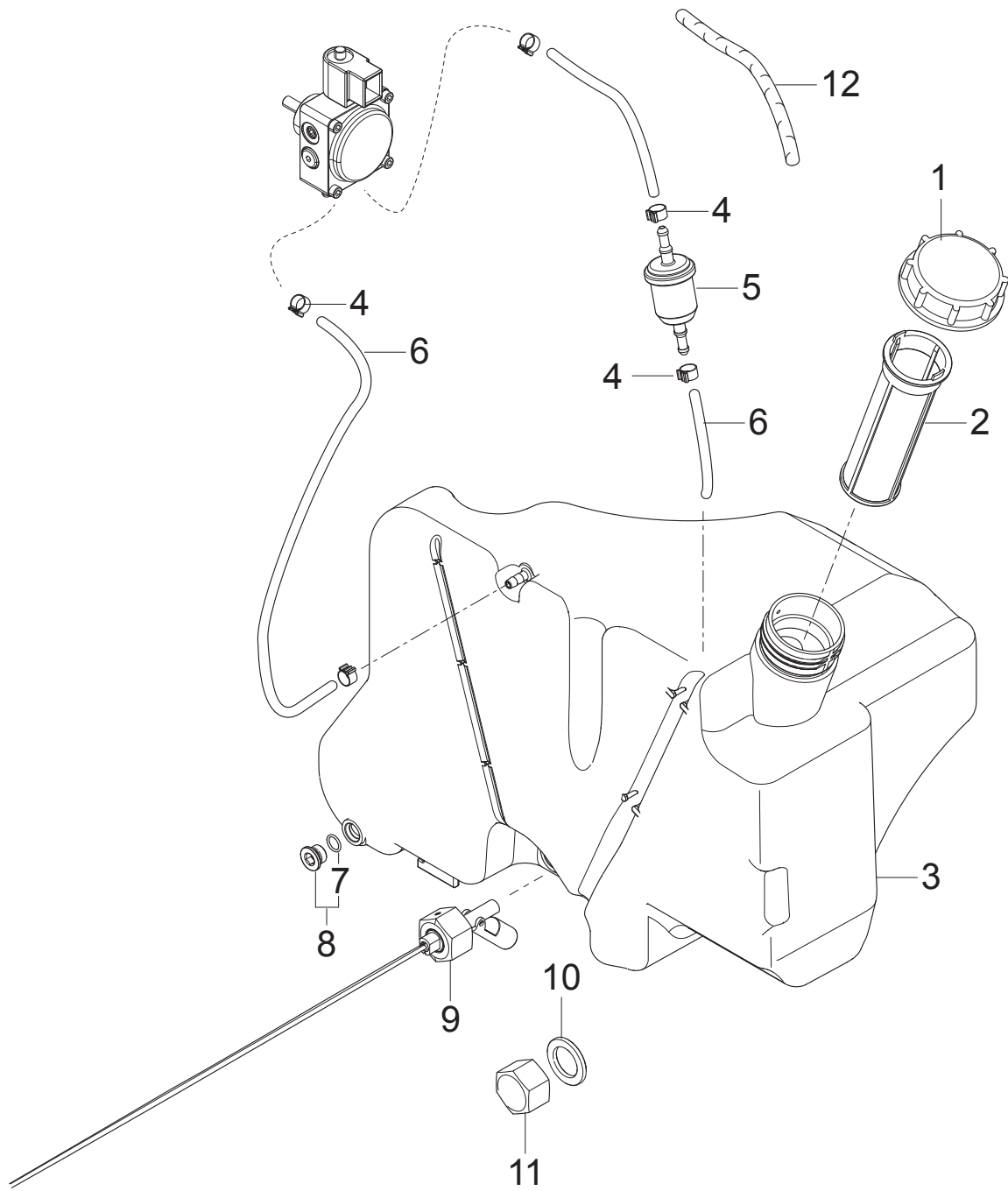
Pos.	Artikel-Nr.	Menge	Variante	Notes
1	107143025	1	CABLE HOOK CLAMP BLUE	
2	101118192	1	HANDLE KIT	
3	909100148	6	Ejotschraube K40x30 WN 14	
4	107143013	1	REAR END TOP	
5	107143014	1	REAR END BOTTOM	
6	107143021	1	COVERING FOR HANDLE RIGHT	
7	107143022	1	COVERING FOR HANDLE LEFT	
8	107143023	1	DOOR W/LOCKS MPU NA5-NA6 RIGHT	
9	107143019	1	DOOR LEFT W/LOCKS	
10	301001261	6	Verriegelung	
11	107143012	1	SIDE BUMPER SMALL RIGHT	
12	107143011	1	SIDE BUMPER SMALL LEFT	
13	101118194	1	CABINET MH 4M NILFISK KIT	
14	107143015	1	FRONT BUMPER	
15	107143009	6	BLIND PLUG D16.5 FOR T30 BLACK PE	
16	107143018	12	SCREW M6X16	
17	107141838	7	SCHRAUBE K50X18 WN1451 SCHWARZ TORX 20	



Pos.	Artikel-Nr.	Menge	Variante	Notes
1	31001031	1	FRAME HANDLE	
2	107143018	6	SCREW M6X16	
3	107143146	6	WASHER SERRATED M6	
4	31001032	2	HANDLE STIFFENER SHORT	
5	31001033	1	FRAME SHORT	
6	107143028	1	BRAKE KNOB	
7	101118180	1	BRAKE ARM SHORT KIT	
8	107145780	2	RADKAPPE FUER RAD Ø300X65	
9	46363	4	Klemmscheibe	
10	107145637	2	WHEEL D300X65	
11	107143027	2	SCREW M6X35 SW10 DIN7500D FZB	
12	31001034	1	WHEEL AXLE REAR	
13	107143029	2	WHEEL D250 HEAVY LOAD	
14	1801075	1	Dichtring	
15	107143066	1	PISTON	
16	1600493	1	Anschlussstück	



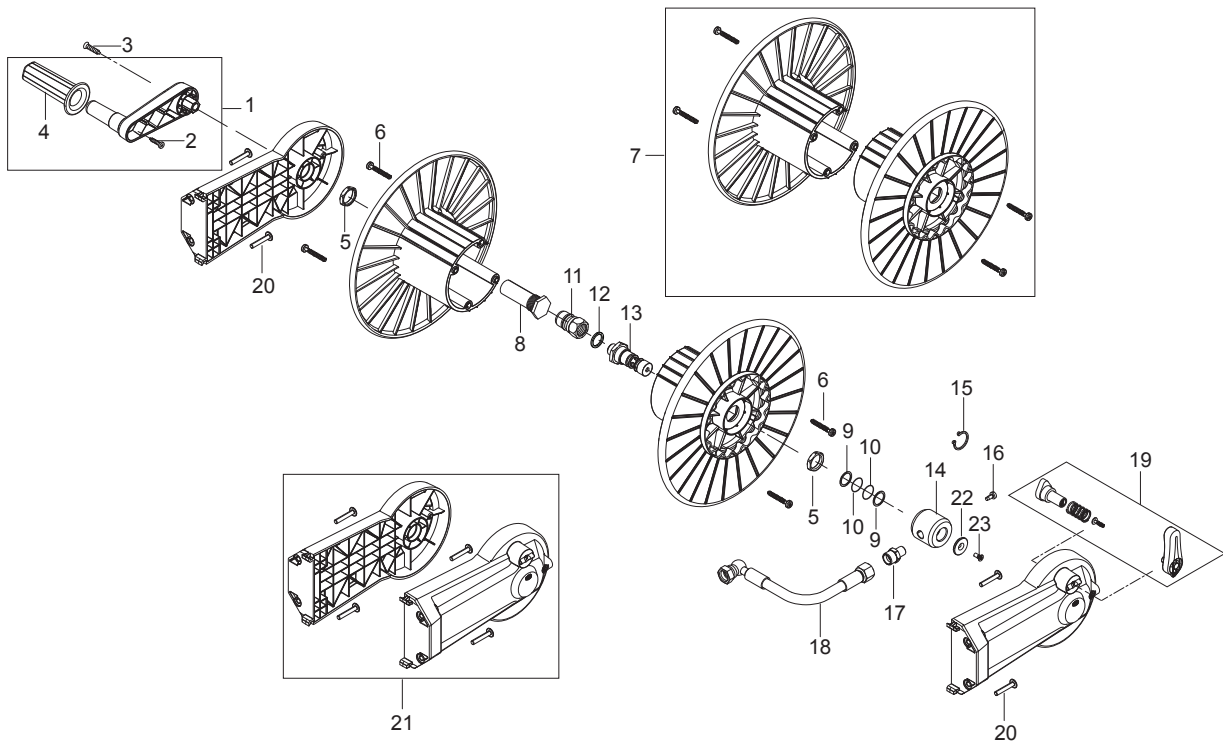
Pos.	Artikel-Nr.	Menge	Variante	Notes
1	106408243	1	HOSE 1/4INCH TRANSPARENT - 5 METERS	
2	301000561	1	Deckel RP-Behälter	
3	301001133	2	Schlauchklemme 10/7	
4	101117784	1	Schwimmerventil	
5	34218	1	Filter	
6	1800341	1	Gegenmutter 3/4	
7	107143084	1	HOSE COUPLING 90° 20X3/4 PP W/NUT/GASKET	
8	107143031	1	FUELFLEX HOSE D28/D20 10BAR/20°	
9	8298	4	Schlauchschelle SGL 16-27	
10	101406054	1	Dichtung	
11	107143032	1	O-RING D30X2 SHORE70 NBR BLACK	
12	106403194	1	FILTER FOR WATER BREAK TANK ACCESSORY	
13	107143060	1	COVER FOR WATER TANK	
14	107143030	1	WATER BREAK TANK	



Pos.	Artikel-Nr.	Menge	Variante	Notes
1	107143034	1	FUEL TANK LID - RED	
2	1604222	1	Tankeinfuelsieb	
3	107143035	1	FUEL TANK 15L	
4	301001133	6	Schlauchklemme 10/7	
5	301002926	1	Filter	
6	106408244	1	HOSE D6X2.5 - 5 METERS	
7	3000072	1	O-Ring 10,1 X 1,6 SMS	
8	6180906	1	Verschlussschraube	
9	107143033	1	LEVEL SENSOR FUEL TANK	
10	3001237	1	Dichtung	[1]
11	107143113	1	END CAP 3/4	[1]
12	107143164	1	BEND PROTECTOR	

Part Notes:

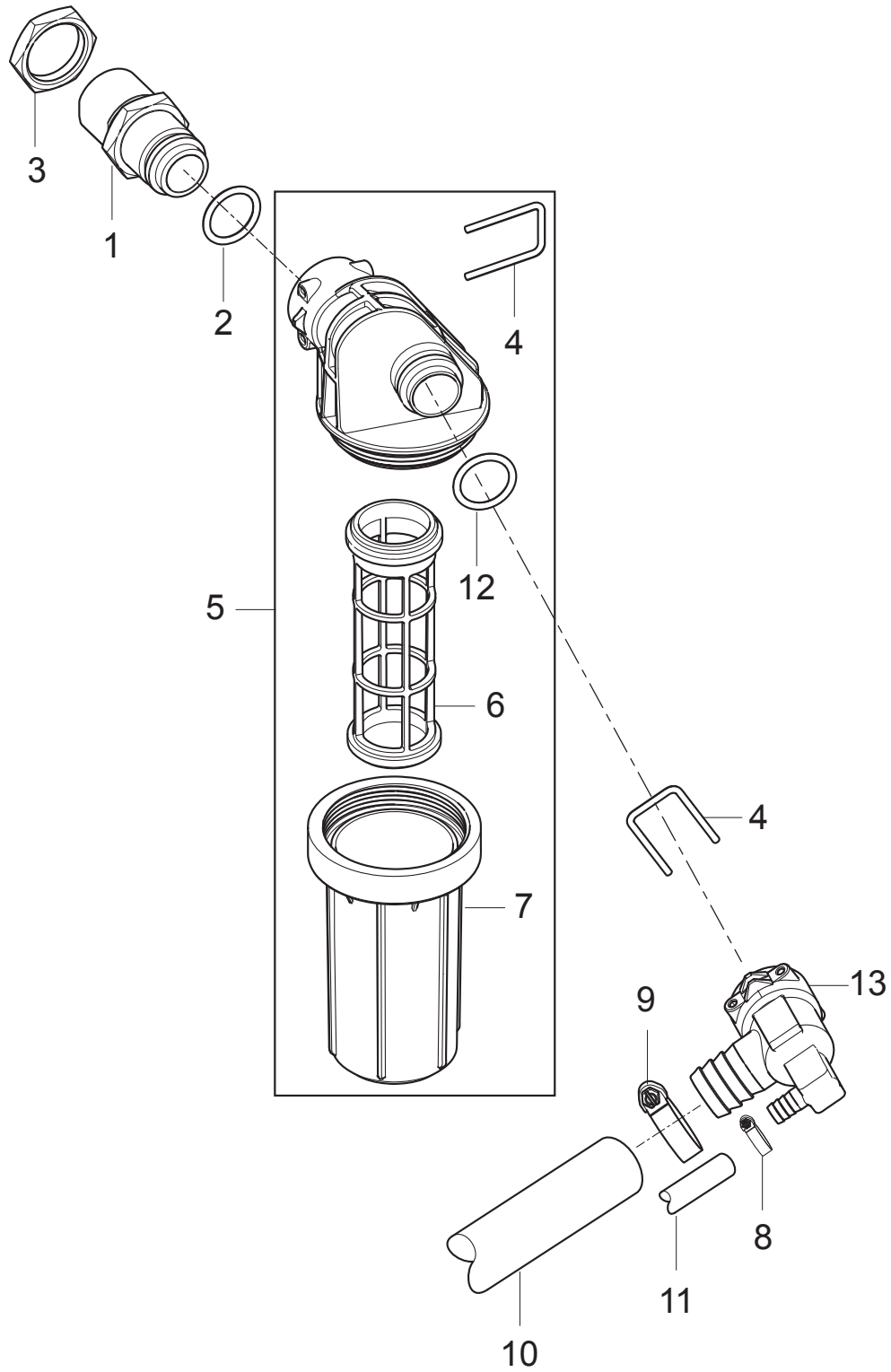
[1] - MH3/FAL



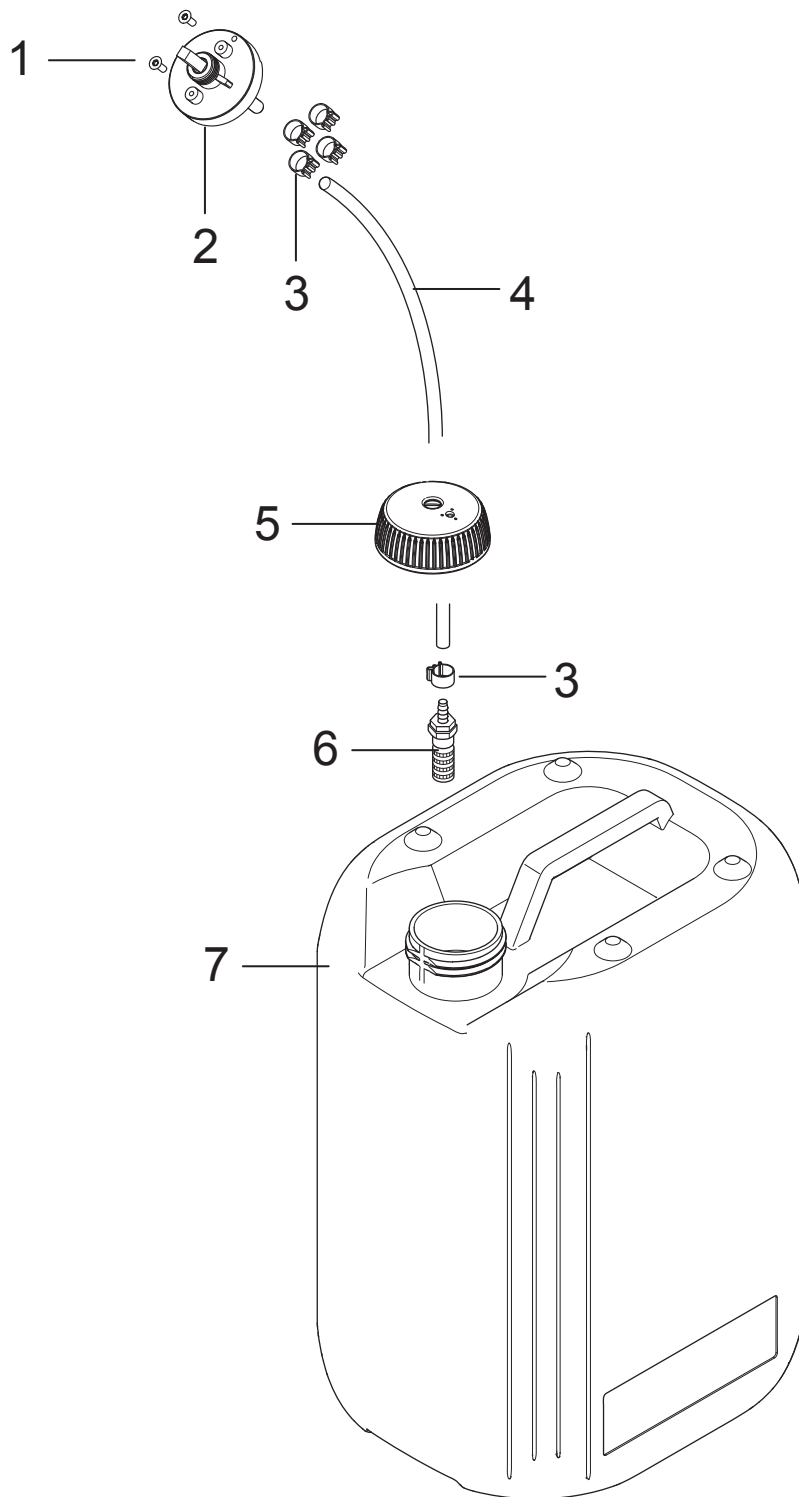
Pos.	Artikel-Nr.	Menge	Variante	Notes
0	106403184	1	HOSE REEL NILFISK ACCESSORY	
1	101118215	1	HANDLE FOR HOSE REEL NILFISK	
2	107141838	2	SCHRAUBE K50X18 WN1451 SCHWARZ TORX 20	
3	107141673	1	Schraube M6x45	
4	107143007	1	ROTATING HANDLE FOR HOSE REEL NILFISK	
5	62696	2	Sechskantmutter M24x1,5x	
6	909100153	4	Schraube 6x40	
7	101118209	1	HOSE REEL SIDE KIT	
8	107141675	1	Achse	
9	107143017	2	BACK-UP RING	
10	19620	2	O-Ring 15,54x2,62	
11	1600493	1	Anschlussstück	
12	1801075	1	Dichtring	
13	107143123	1	SWIVEL FOR HOSE REEL	
14	101118211	1	BEARING BUSH KIT	
15	1802057	1	Seegerring U 20 x1,2	[1]
16	107141690	1	Linsenschraube DIN7985-M5x12-8.8	
17	54590	2	Anschlussstück	
18	107143114	1	CONNECTION HOSE DN8 FOR HOSE REEL	
19	101118212	1	Ø20KE HANDLE FOR HOSE REEL NILFISK KIT	
20	107143010	4	SCREW M6X35	
21	101118208	1	HOSE REEL ADAPTOR KIT	
22	107143125	1	WASHER 25 FOR COUNTERSUNK M5	[2]
23	107143124	1	COUNTERSUNK M5X12 ISO 14581	[2]
		1	Mounting instr. for Hose Reel Nilfisk	[3]

Part Notes:

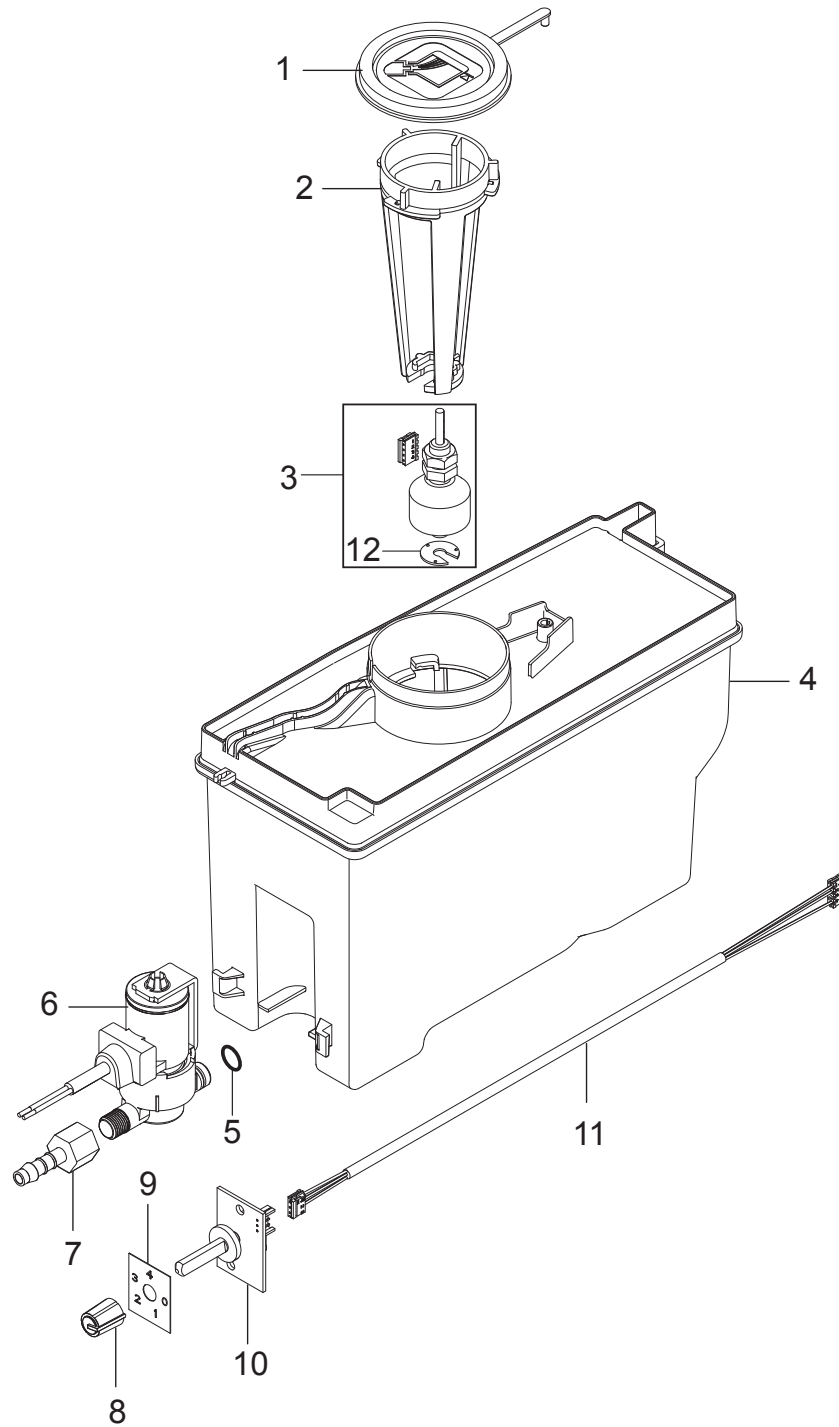
- [1] - Up to 07.2016
- [2] - TSB-PPW-2016-018 MH 4M Hose Reel Circlip
- [3] - Mounting instructions MH Nilfisk hose reel



Pos.	Artikel-Nr.	Menge	Variante	Notes
1	107143086	1	FITTING FOR WATER INLET	
2	107143088	2	O-RING 18.72X2.62	
3	1800341	1	Gegenmutter 3/4	
4	107143085	2	LOCK PIN	
5	107144272	1	FILTER CPL. MH 5000MM2 50µ ACCESSORY	
6	31001100	1	FILTER CARTRIDGE WITHOUT FLANGE	
7	31001011	1	GLAS FOR WATER FILTER	
8	11654	1	Schlauchklemme 11,5	
9	8298	1	Schlauchschelle SGL 16-27	
10	107143031	1	FUELFLEX HOSE D28/D20 10BAR/20°	
11	106408243	1	HOSE 1/4INCH TRANSPARENT - 5 METERS	
12	107143088	1	O-RING 18.72X2.62	
13	107143087	1	WATER INLET FITTING FOR FA	



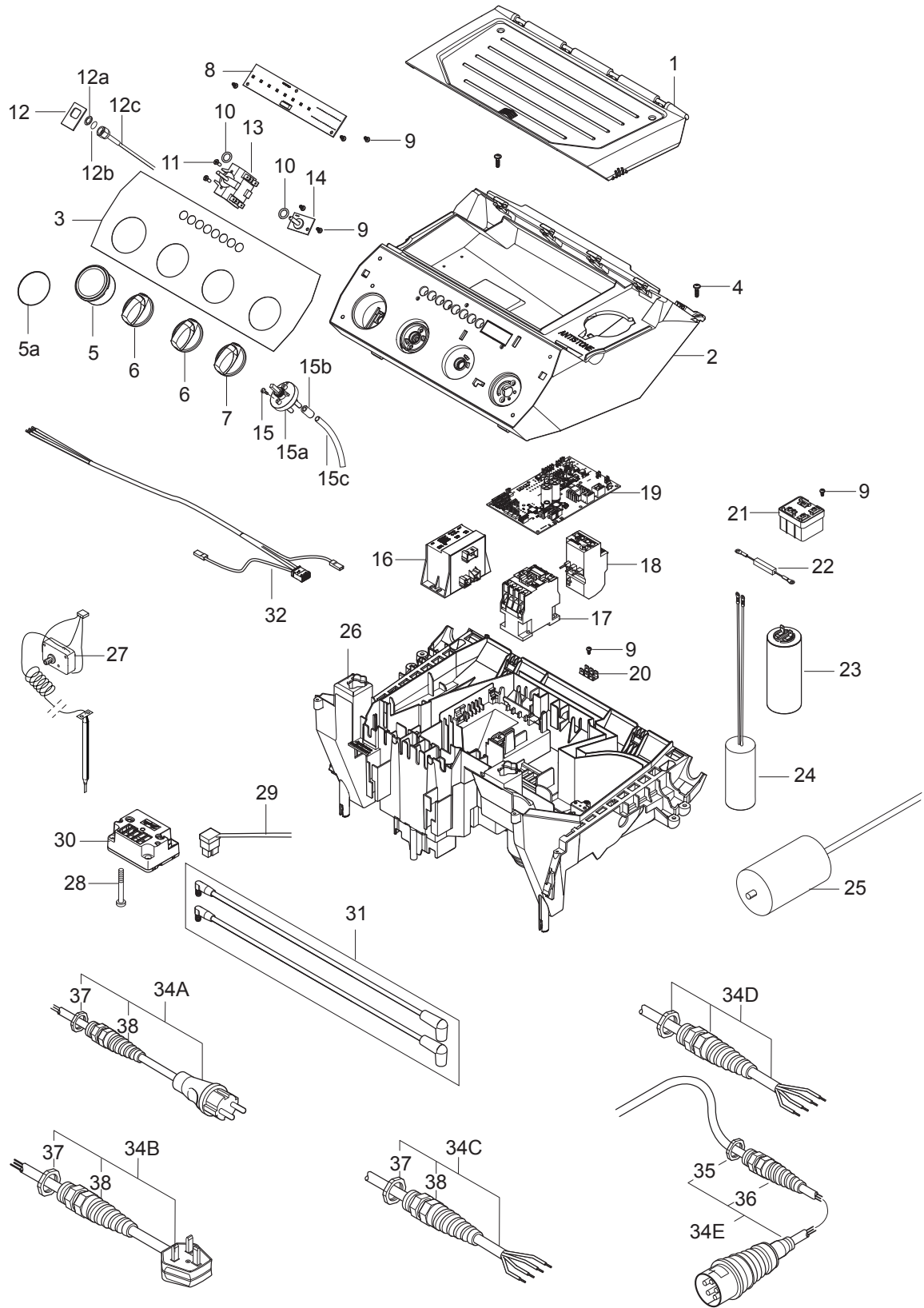
Pos.	Artikel-Nr.	Menge	Variante	Notes
1	1814730	2	Schraube 3,5x10	
2	301001000	1	Ventil	
3	301001133	8	Schlauchklemme 10/7	
4	106408243	1	HOSE 1/4INCH TRANSPARENT - 5 METERS	
5	107141664	2	Deckel	
6	107145440	2	Sieb Ventil Komplettsset	
7	80518	1	Behälter	



Pos.	Artikel-Nr.	Menge	Variante	Notes
1	45646	1	Deckel	
2	107143040	1	LEVELSENSOR BRACKET FOR ANTISCALE	
3	101118214	1	FLOAT SWITCH KIT	
4	107143041	1	ANTISCALE TANK CPL.	
5	31001036	1	O-RING 6X2 NBR 70SH	
6	107143037	1	DOSING VALVE RPE 24VAC	
7	107143036	1	HOSE FITTING D6X1/8 PA	
8	107318222	1	PUSH-ON KNOB 11MM/6MMD/WH	
9	107143042	1	LABEL FOR ANTISCALE	
10	101117730	1	PCB FOR POTENTIOMETER	
11	107143038	1	CABLE FOR ADJUSTMENT ANTI SCALE	
12	107142593	1	HOLDING WASHER PE	[1]

Part Notes:

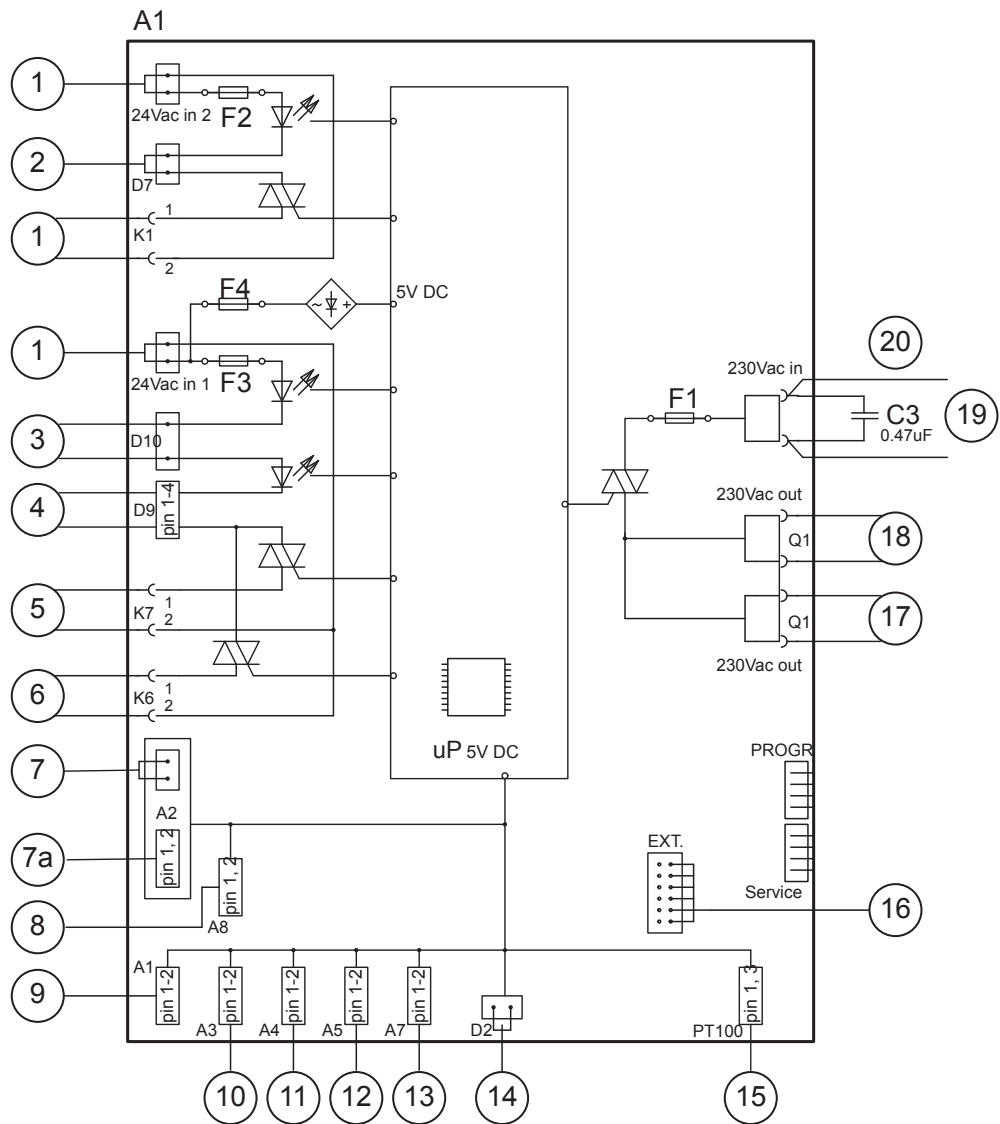
- [1] - TSB-PPW-2016-017 Locking ring for oil level switch falling off



Pos.	Artikel-Nr.	Menge	Variante	Notes
1	107143046	1	TOOL BOX LID	
2	107143045	1	E-BOX TOP	
3	107143047	1	LABEL F. CONTR PANEL MEDIUM SPEC NILFISK	
3	107143049	1	LABEL F. CONTROL PANEL LOW SPEC NILFISK	[1]
4	107141838	2	SCHRAUBE K50X18 WN1451 SCHWARZ TORX 20	
5	107141648	1	MANOMETER 0-300 BAR	
5a	107143050	1	COVER FOR E-BOX (MANO-HOLE)	[1]
6	909100204	2	Drehknopf 6x5 blau	
7	909100214	1	Schalter GR 1 4 Kt	
8	107143044	1	PCBA UI LED	
9	909100046	5	Schraube 4x8	
10	9868	2	O-Ring 10x2,5	
11	18274	2	Senkschraube M4x12	
12	107141650	1	Halter	
12a	107141651	1	Scheibe DIN125-A13	
12b	31000508	1	O-RING NBR	
12c	102406647	1	Manometerrohr	
13	28877	1	Schalter	
14	101117730	1	PCB FOR POTENTIOMETER	
15	1814730	2	Schraube 3,5x10	
15a	301001000	1	Ventil	
15b	301001906	1	Verschlusskappe	
15c	106408243	1	HOSE 1/4INCH TRANSPARENT - 5 METERS	
16	107143051	1	POWER TRANSFORMER 230/400V 2X24V	
16	107143064	1	POWER TRANSFORMER 220-240V/440-460V	
16	107143068	1	POWER TRANSFORMER 115 / 200V	
17	103822306	1	Schütz CJX2-D18-B7 24V	[2]
17	103822313	1	Schütz 100-C23KJ10	[3]
17	103822317	1	Schütz CJX2-D32-B7 24V	[4]
18	103822327	1	Thermorelais 12-18A	
19	107143061	1	PCBA MH	
20	107307326	1	EARTH CONNECTOR 6 PIN	
21	107141729	1	START RELAY RVAH4AH3C	
22	107141730	1	DISCHARGE RESISTOR 15KOHM/7W	
23	301002320	1	Kondensator 70 µF	[5]
24	107143065	1	CAPACITOR 70UF 400/450V	[6]
25	107141619	1	CAPACITOR 170MF	[6]
26	107143062	1	E-BOX BOTTOM	
27	101117723	1	Abgastemperaturüberwachung	
28	909100149	2	Ejotschraube K50x50 WN 14	
29	107143098	1	PRIMARY CABLE FOR IGNITION COIL	
30	103822275	1	IGNITION TRANSF. 220-240 50-60 - DANFOSS	
31	101118220	1	2 X IGNITION CORDS KIT	
32	107143056	1	CABLE FOR POWER TRAF0 PRIM 230V	[7]
32	107143063	1	CABLE FOR POWER TRANSFORMER PRIM 400V	[8]
32	107143072	1	CABLE F. POWER TRANSFORMER PRIM 230/400	[9]
34A	101117809	1	Netzkabel H07RN CEE	[10]
34B	101117812	1	Netzkabel H07RN BS13	[11]
34C	101117811	1	Netzkabel H07RN 4G1,5	[12]
34C	107143099	1	POWER CORD 4x2,5mm2 x9m	[13]
34D	101118182	1	POWER CORD H07RN 4G2.5X6M GND 6.3X0.8 NO	[14]
34E	301000834	1	Anschlussleitung Europa	[15]
35	909100198	1	Schnur Befestigung	
36	909100020	1	Sechskantmutter M25x1,5 EN 50262 PA	
37	909100019	1	Sechskantmutter M20x1,5 EN 50262 PA	
38	909100043	1	Kabelverschraubung	

Part Notes:

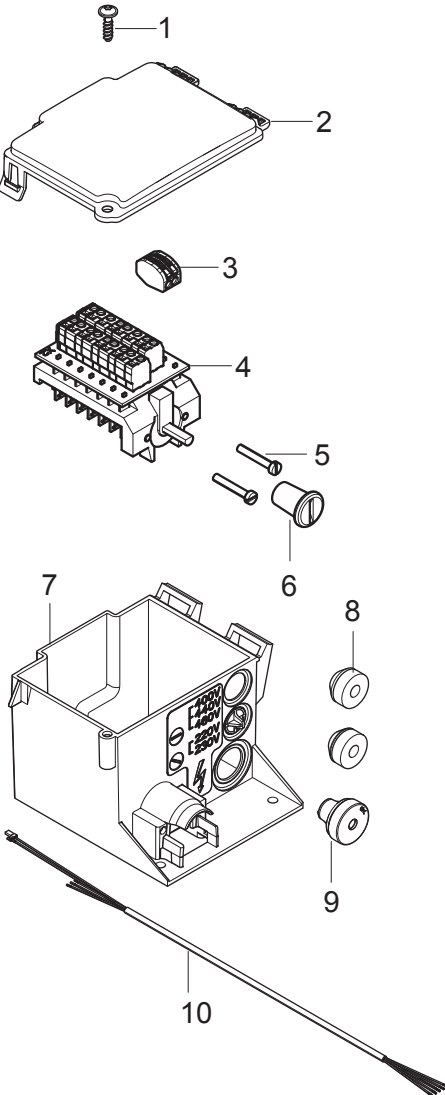
- [1] - FAL
- [2] - All MH3
MH4-100/680, MH4-130/720, MH4-180/860, MH4-200/960, MH4-210/1000, MH220/1000
- [3] - MH3-160/770 440-220V 3~ 60Hz (EXP)
MH4-200/960 400-230V 3~ 50Hz (NO)
- [4] - MH4-180/890 200V 3~ 50/60Hz (JP), MH4-200/960 440-220 3~ 60Hz (EXP)
- [5] - MH3: 1ph
- [6] - MH4: 1ph
- [7] - MH3/MH4: 1~
- [8] - MH3/MH4: Star or Delta
- [9] - MH3/MH4: star/delta
- [10] - MH 4M-130/720 FA 230/1/50 EU
- [11] - MH 3M-100/600 PA 230/1/50 UK, MH 4M-100/680 PA 230/1/50 UK
- [12] - MH 3M-160/770 PA 440-220/3/60 EXPT
- [13] - MH 4M-180/890 FA 200/3/50 JP
- [14] - MH 4M-200/960 FAX 400-230/3/50 NO, EXP
- [15] - MH 4M-200/960 FA 400/3/50 EU, MH 4M-180/860 FAL 400/3/50 EU, MH 4M-210/1000 PAX 400/3/50 EU, MH 3M-160/770 PA 400/3/50 EU, MH 4M-220/1000 FAX 400/3/50 EU



Pos.	Artikel-Nr.	Menge	Variante	Notes
1	107143052	1	CABLE FOR POWER TRANSFORMER SEC 6X0.75	
2	107143070	1	CABLE FOR MT	[1]
2	107143057	1	CABLE FOR RELAY	[2]
2	107143081	1	CABLE FOR MT MH3	[3]
3	107143055	1	CABLE FOR HOT WATER MODE AND EXH. SWITCH	
4	107143121	2	REED SWITCH NO W/CABLE	
5	107143095	1	CABLE FOR SOLENOID VALVE 2X0.5	
6	107143037	1	DOSING VALVE RPE 24VAC	
7	31001037	1	SWITCHBOX ASSEMBLED WITH CABLE	[4]
7	101118188	1	MICRO-SWITCH KIT	[5]
7a	107143121	2	REED SWITCH NO W/CABLE	[6]
8	107143043	1	CABLE FOR TEMPERATURE ADJUSTMENT	
9	101118214	1	FLOAT SWITCH KIT	
10	107143038	1	CABLE FOR ADJUSTMENT ANTI SCALE	
11	107143033	1	LEVEL SENSOR FUEL TANK	[7]
11	107143059	1	EHR-4 JUMPER	[8]
12	101118173	1	OIL SENSOR W/PLUG KIT	[9]
12	107143059	1	EHR-4 JUMPER	[8]
13	107143100	1	FLAME SENSOR WITH CABLE	
14	107143055	1	CABLE FOR HOT WATER MODE AND EXH. SWITCH	
15	107143083	1	TEMPERATUR SENSOR PT100 W/CABLE	
16	107143053	1	CABLE FOR UI	
17	107143098	1	PRIMARY CABLE FOR IGNITION COIL	
18	107143096	1	MOTOR BURNER - 0.23KW/230V/50HZ/1PH	[10]
18	107143097	1	MOTOR BURNER 390W/200-240V/50/60HZ	[11]
19	107143054	1	WIRE BLACK L=400	[12]
19	107143058	1	WIRE 1.5MM2 BLACK	[2]
20	101117867	1	Entstörglied	

Part Notes:

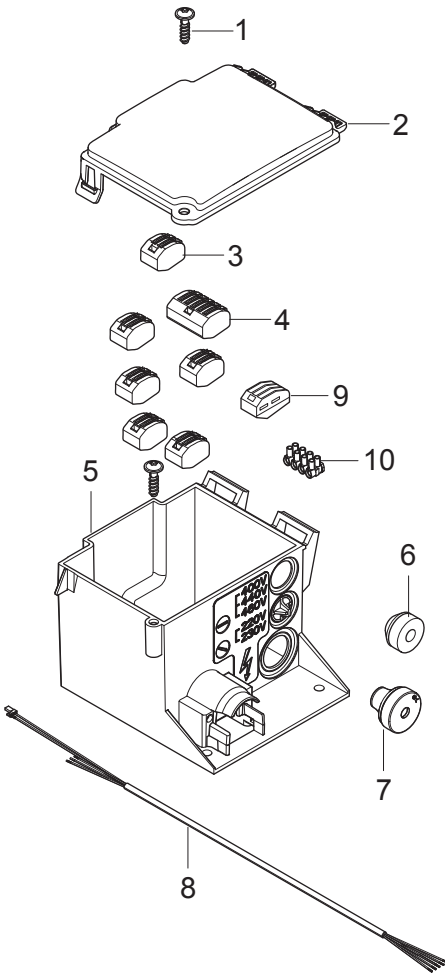
- [1] - MH4
- [2] - MH3 1~
- [3] - MH3 3~
- [4] - MH3
- [5] - NA5 PA
- [6] - NA5 FA
- [7] - MH4+5+6+7
- [8] - MH3+MH4FAL
- [9] - MH4+5+6+7
MI 107309166 JST Connector
- [10] - All except MH4 JP+ MH4M-200 60Hz
- [11] - MH4 JP+ MH4M-200 60Hz
- [12] - All except MH3 1~



Pos.	Artikel-Nr.	Menge	Variante	Notes
1	107141838	1	SCHRAUBE K50X18 WN1451 SCHWARZ TORX 20	
2	301000782	1	Deckel	
3	107143069	1	SNAP TERMINAL 2 POL	
4	107143073	1	PCB SWITCH STAR/DELTA	
5	101117739	2	Flachkopfschraube	
6	64580	1	Drehknopf	[1]
7	107143074	1	E-BOX	
8	3803764	2	Stopfbuchse TET 5-7C	
9	3803772	1	Tülle	
10	107143071	1	MOTOR CABLE 5G2.5 FOR STAR/DELTA	

Part Notes:

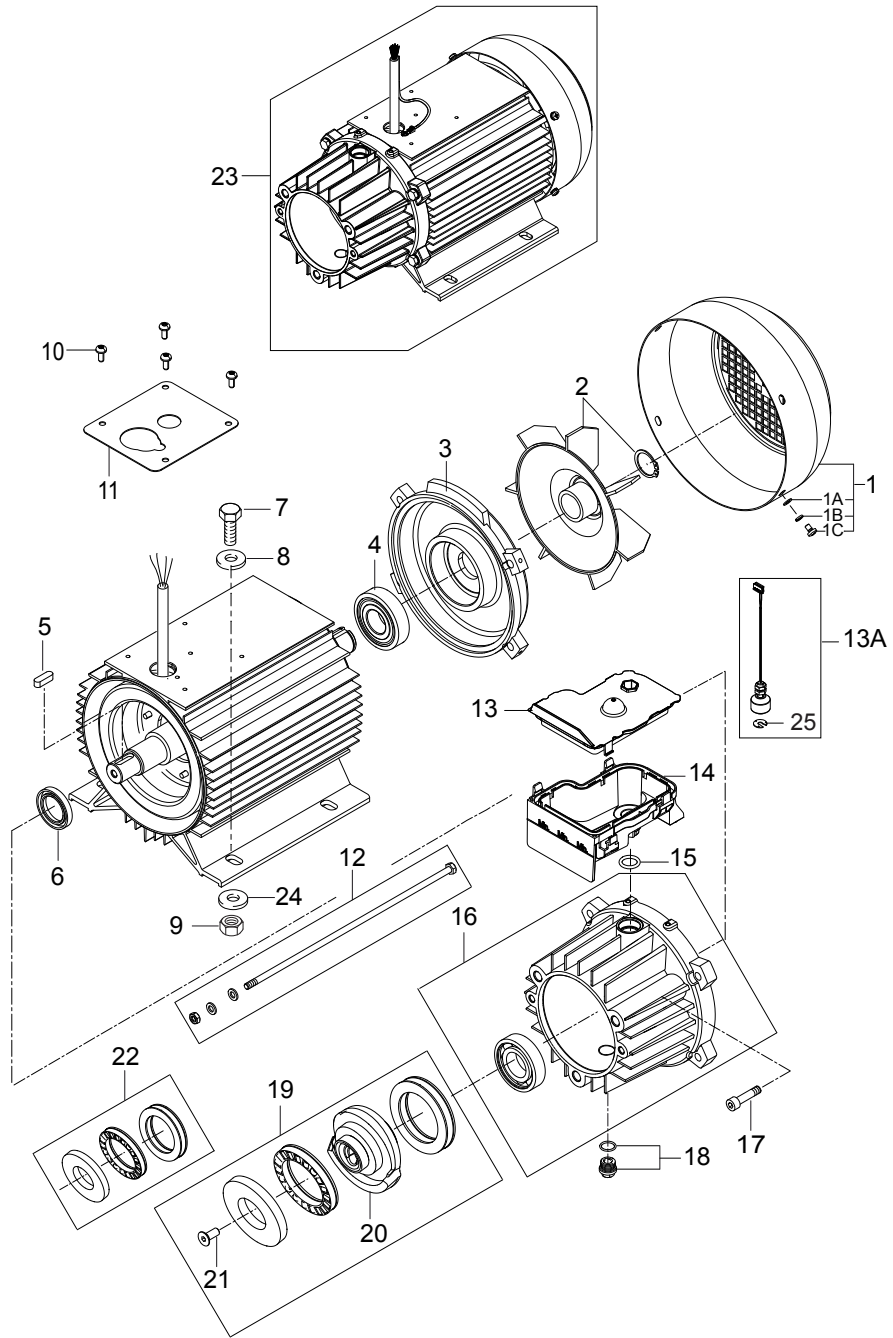
- [1] - TSB-PPW-2016-007 Rotary knob for Voltage selector switch 230V-400V must be sealed with lacquer
 DE TSB-PPW-2016-007 Drehknopf des Spannungsauswahlschalters 230V-400V muss mit Lack versiegelt werden



Pos.	Artikel-Nr.	Menge	Variante	Notes
1	107141838	1	SCHRAUBE K50X18 WN1451 SCHWARZ TORX 20	
2	301000782	1	Deckel	
3	107143069	6	SNAP TERMINAL 2 POL	
4	301002165	1	Anschlussklemmenkäfig	
5	107143074	1	E-BOX	
6	3803764	1	Stopfbuchse TET 5-7C	
7	3803772	1	Tülle	
8	107143075	1	MOTOR CABLE 5G1.5 FOR 3~	[1]
8	107143076	1	MOTOR CABLE 5G1.5 FOR 1~	[2]
8	107143071	1	MOTOR CABLE 5G2.5 FOR STAR/DELTA	[3]
8	107143129	1	MOTOR CABLE 4G4 DELTA MH5-6-7	[4]
9	107143069	1	SNAP TERMINAL 2 POL	[5]
10	107143158	1	TERMINAL BLOCK 4-POL 10MM2	[6]

Part Notes:

- [1] - MH4, MH5-200
- [2] - MH4 1ph, MH5 1ph
- [3] - MH4 (JP), MH5 (not MH5-200), MH6, MH7
- [4] - MH6 JP, MH7JP
- [5] - 1~
- [6] - MH5-6-7 - Delta, JP

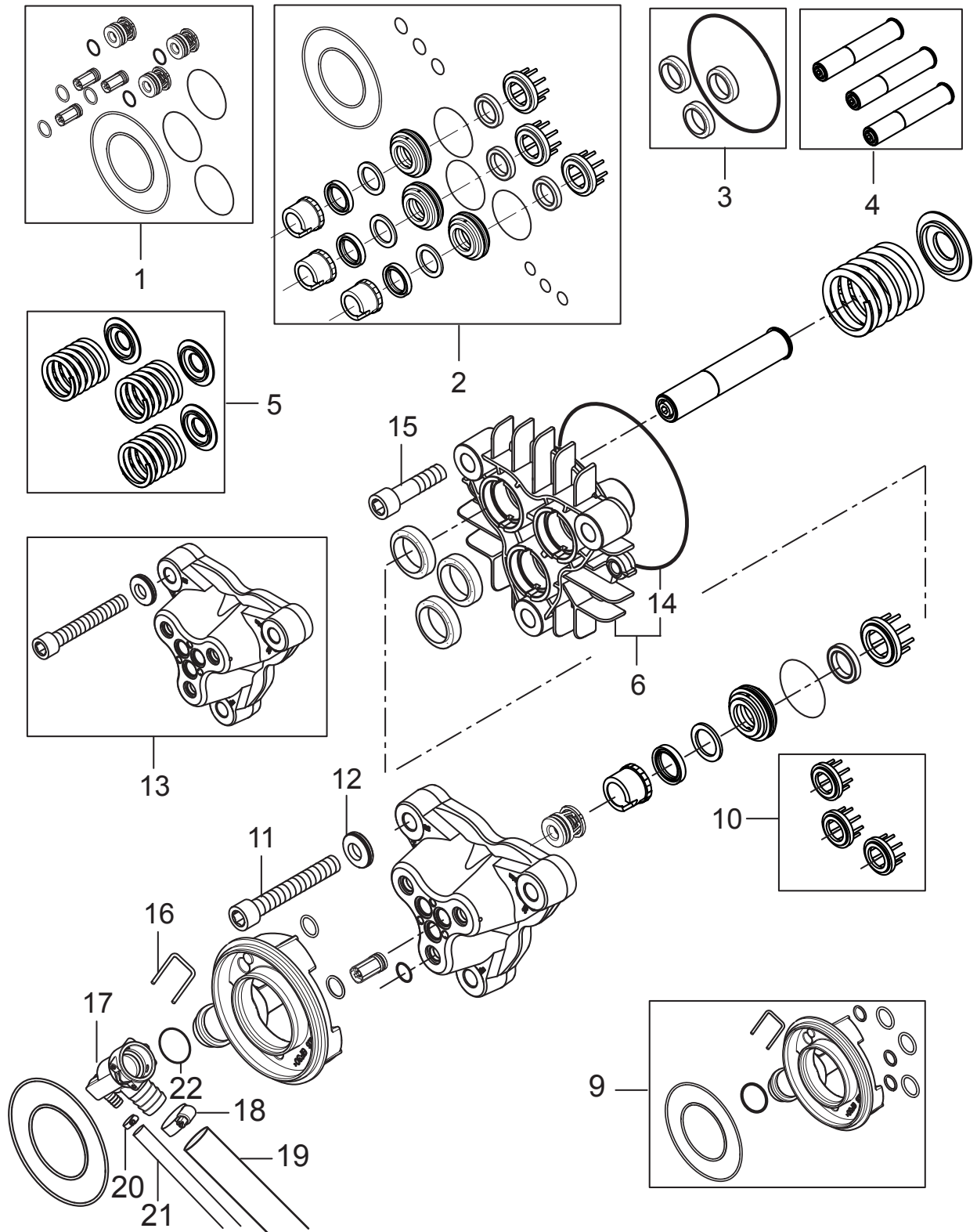


Pos.	Artikel-Nr.	Menge	Variante	Notes
0	107144146	1	Pumpenöl NA5 1 Liter	
0	5218433	1	Pumpenöl 150 1x1l	
1	107144126	1	Lüfterhaube	
1A	2763	4	Scheibe 5,3x1,0 ISO 7089 zn	
1B		4	Spring washer Ø5	
1C	1813781	4	Schraube M5x8 7985 St-zn	
2	107144125	1	Lüfterrad	
3	31000148	1	Lagerdeckel	
4	31000149	1	Lager RF	
5	19639	1	Passfeder A 8x7x25	
6	G120414	1	Dichtring Ø30XØ47X7	
7	1801133	4	SCREW M10X25 ISO4017 ZN	
8	2767	4	Scheibe 10,5x2,0 ISO 7090 zn	
9	8952	4	Sechskantmutter M10 ISO 7042 zn	
10	107140881	4	SCREW M5X12 DIN 7985 TORX	
11	107140875	1	Dichtung	
12	31000505	1	Schraube M8x290	
12	31000504	1	Schraube M8x265	
13	107140877	1	Deckel	
13A	101118173	1	OIL SENSOR W/PLUG KIT	[1]
14	107143094	1	OIL CONTAINER BOTTOM	
15	107140882	1	O-Ring 15,0 x 3,0	
16	107141967	1	D-BEARING COVER COMPLETE NA5.2	
17	107144142	4	Schraube für Pumpengehäus	
18	107141982	1	OIL PLUG W/O-RING AND MAGNET NA5.2	
19	107141984	1	WOBBLE DISC 7.2 DEG. BEARING KIT NA5.2	[2]
19	107141991	1	WOBBLE DISC 7.74 DEG.BEARING KIT NA5.2	[3]
19	107141976	1	WOBBLE DISC 8.4DEG.BEARING KIT NA5.2	[4]
19	107141977	1	TAUMELSCHEIBE 8.7 DEG. LAGER SET NA5.2	[5]
19	107141975	1	TAUMELSCHEIBE 9.15 DEG. LAGER SET NA5.2	[5]
19	107141974	1	LAGER TAUMELSCHEIBE 9.85	[6]
19	107141973	1	TAUMELSCHEIBE 10.2 DEG. LAGER SET NA5.2	[7]
19	107141972	1	WOBBLE DISC 10.9 DEG. BEARING KIT NA5.2	[8]
20	107143108	1	WOBBLE DISC 7.2 DEG. NA5.2	[2]
20	107141990	1	WOBBLE DISC 7.74 DEG. NA5.2	[3]
20	107141961	1	WOBBLE DISC 8.4 DEG. NA5.2	[4]
20	107141962	1	WOBBLE DISC 8.7 DEG. NA5.2	[5]
20	107141963	1	Taumelscheibe NA5.2	[5]
20	107143109	1	WOBBLE DISC 9.85 DEG. NA5.2	[6]
20	107141964	1	WOBBLE DISC 10.2 DEG. NA5.2	[7]
20	107141965	1	WOBBLE DISC 10.9 DEG. NA5.2	[8]
21	107141502	1	Schraube M8 X 20 DIN 7991	
22	101118081	1	Nadellager	
23	107141954	1	MOTOR 5.5 KW 220/230-400/440/3/50/60 EU	[9]
23	107141955	1	MOTOR 5.2 KW/220/1 60HZ 5-52 US	
23	107141956	1	MOTOR 2.2 KW/230/1 50HZ	[10]
23	107141957	1	MOTOR 4KW 200/3/50-60HZ JP 5-47 JP	[11]
23	107141958	1	MOTOR 4KW 230-400/220-440 3/50-60HZ NA5	[12]
24	4827	4	Scheibe 10,5x2,5 A ISO 7093-1 zn	
25	107142593	1	HOLDING WASHER PE	[13]

Part Notes:

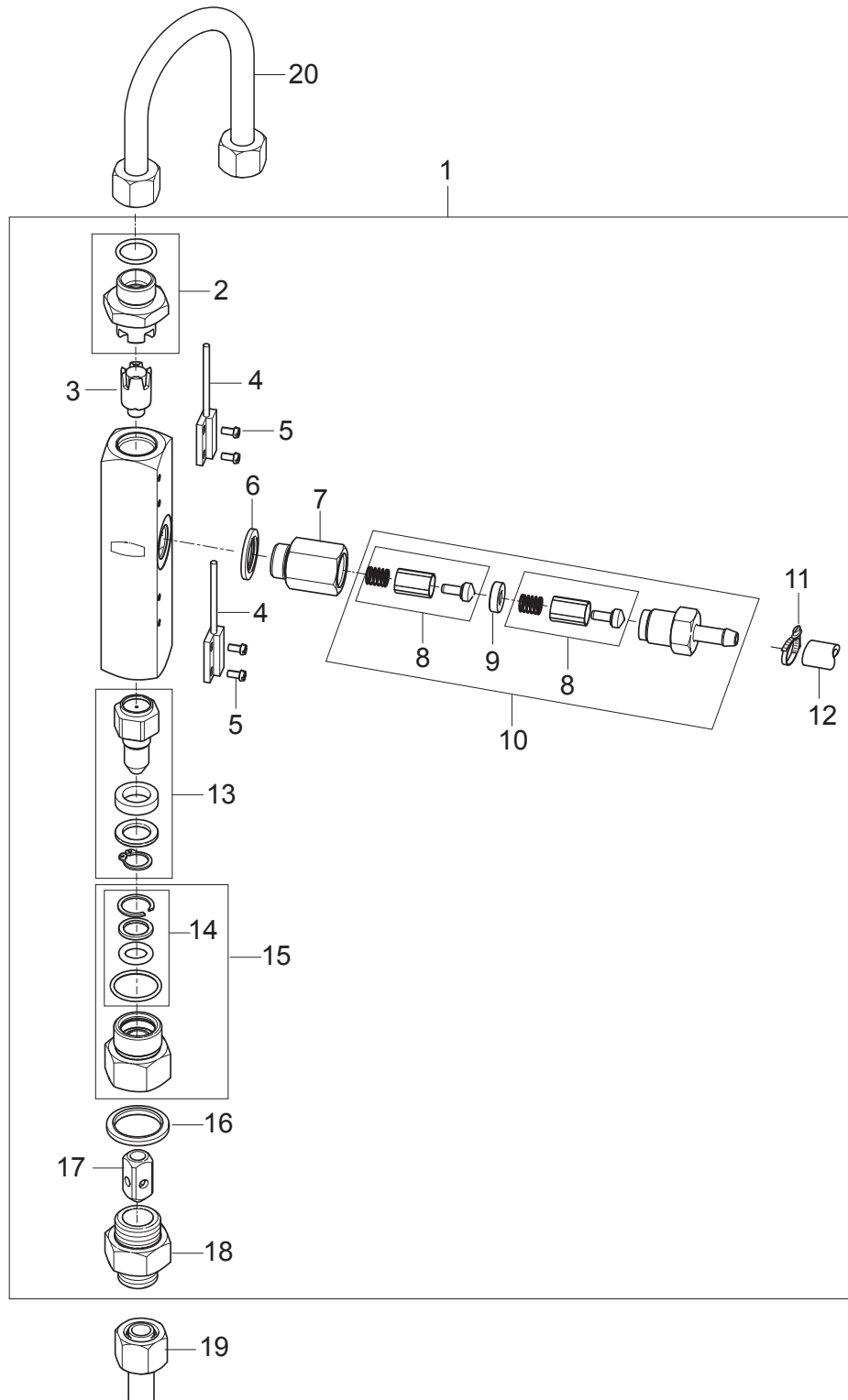
- [1] - MI 107309166 JST Connector
- [2] - MH 4M-100/680 PA
- [3] - MH 4M-130/720 FA, (MH 4M-100/720 FA gerni)
- [4] - MH 4M-180/890 FA 200/3/60 JP
- [5] - MH 4M-180/860
- [6] - MH 4M-180/890 FA 200/3/50 JP
- [7] - MH 4M-200/960 FA

- [8] - MH 4M-210/1000 PA, MH 4M-220/1000 FA
- [9] - MH 4M-200/960 FA, MH 4M-210/1000 PAX, MH 4M-220/1000 FA
- [10] - MH 4M-130/720 FA, MH 4M-100/720 FA, MH 4M-100/680 PA
- [11] - MH 4M-180/890 FA JP
- [12] - MH 4M-180/860 FA, MH 4M-180/860 FAL
- [13] - TSB-PPW-2016-017 Locking ring for oil level switch falling off



Pos.	Artikel-Nr.	Menge	Variante	Notes
1	101118121	1	Satz Ventile	
2	101118123	1	Dichtungssatz Pumpe	
3	107144102	1	Dichtungssatz Kolben	
4	107144103	1	Satz Kolben	
5	107144104	1	Satz Feder	
6	107141983	1	CYLINDER BLOCK W/O-RING NA5.2	
9	101118147	1	INLET MANIFOLD KIT NA5	
10	107140919	1	SUPPORT RING NA5 SPARE VPE 3	
11	107141968	3	CYL.SCREW M12X80 WITH NORDLOCK WASHER	
12	107141969	3	WASHER NLX12SP ?12.5X?19.5X3.5MM	
13	107141985	1	CYLINDER HEAD NA5.2 W. SCREWS WASHERS	
14	107141512	1	O-Ring D114 x D1.78	
15	4042	2	Schraube M8 X 40 8.8	
16	107143085	1	LOCK PIN	
17	107143000	1	WATER LIMITER (MEDIUM)	
18	8298	2	Schlauchschelle SGL 16-27	
19	107143031	1	FUELFLEX HOSE D28/D20 10BAR/20°	
20	11654	1	Schlauchklemme 11,5	
21	106408243	1	HOSE 1/4INCH TRANSPARENT - 5 METERS	
22	107143088	1	O-RING 18.72X2.62	

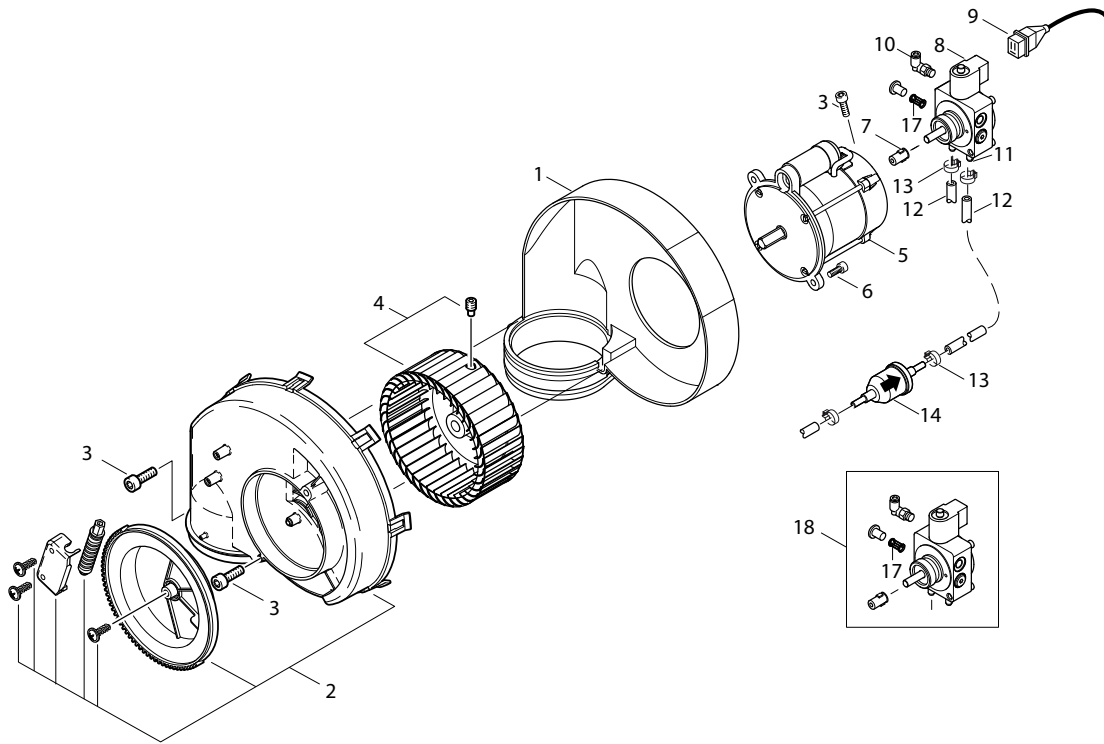
Pos.	Artikel-Nr.	Menge	Variante	Notes
1	106408193	3	SCREW M8 X 20 8.8 DIN 912 FZB	
2	107144137	1	Stopfen	
3	6221529	1	Deckel f. Ventilgehäuse	
4	101118183	1	PISTON KIT FOR VENTING VALVE	
5	101117890	1	Gehäuse Lufteinlassventil	
6	3001740	1	O-RING 7.66X1.78 NITRIL 70SH	
7	107144112	1	Injektor	
8	101117924	1	Stopfen für MPU 1/8	
9	101118184	1	RETURN VALVE BY-PASS - KIT MH	
10	1821	1	Verbindungsstück	
11	3001740	1	O-RING 7.66X1.78 NITRIL 70SH	
12	107143111	1	NA5 FA BYPASS VALVE MACHINED	
13	106408196	1	WASHER D12.95 X D4.6 X 0.9 BRASS	
14	106408195	1	RETAINING RING SIZE 13 DIN472	
15	106408189	1	NUT M8 X 1 FOR UNLOADER VALVE FA	
16	106408188	1	DIN 913 M4X20 POINTED SCREW	
17	107143003	1	REGULATOR KNOB NA5/NA6 NILFISK	
18	101118050	1	SEALING KIT FOR NA6	
19	101118051	1	PLUG FOR UNLOADER VALVE FA - KIT NA6	
20	101118117	1	Steuereinheit - Kit NA5	
21	6100928	1	Mutter	
22	6100940	1	Einstellschraube	
23	3001070	1	O-Ring 13,1 x 1,6 SMS	
24	1802644	1	Kugel 7mm.	
25	101118118	1	OPENING VALVE REP. KIT	
26	1601079	1	Verbindungsstück	
27	1801075	1	Dichtring	
28	101118094	1	Kupplungssatz 90D ISO	
29	107143005	1	PLATE FOR REG. KNOB	



Pos.	Artikel-Nr.	Menge	Variante	Notes
1	101118231	1	FLOW CONTROL CPL. FA KIT	
2	101118190	1	MALE STUD M18X1.5 KIT	
3	101118055	1	MAGNET AND HOUSE FOR FLOW SWITCH-KIT NA6	
4	107143121	2	REED SWITCH NO W/CABLE	
5	101118033	4	SCREW M3X6 BRASS	
6	1801075	1	Dichtring	
7	107143002	1	HOUSE CONNECTOR	
8	1119566	2	Reparatursatz fuer Ruecks	
9	6201535	1	Sitz	
10	1119318	1	Rep.satz Rueckschlagventi	
11	11654	2	Schlauchklemme 11,5	
12	101406100	0.92	Schlauch 6x3 mm x 5 m	
13	101117896	1	Rueckschlagventil mit	[1]
14	101118191	1	SEALING KIT FOR MALE STUD	
15	101118230	1	MALE STUD F.NON-RET.VALVE 1/2	
16	1807932	1	Dichtring	
17	6101038	1	Kolben	
18	107143155	1	PISTON HOUSING 1/2" - M18X1.5	
19	107143120	1	PIPE MPU/FLOW CONTROL NA5-FA/B2-B2.5	
20	107143117	1	PIPE FLOW CONTROL NA5-FA/BOILER B2	
20	107143116	1	PIPE FLOW CONTROL NA5-FA/BOILER B2.5	[2]
20	107143162	1	PIPE FLOW CONTROL NA5-FA/BOILER B2.5	[3]
20	107143163	1	PIPE FLOW CONTROL NA5-FA/BOILER B2	[3]

Part Notes:

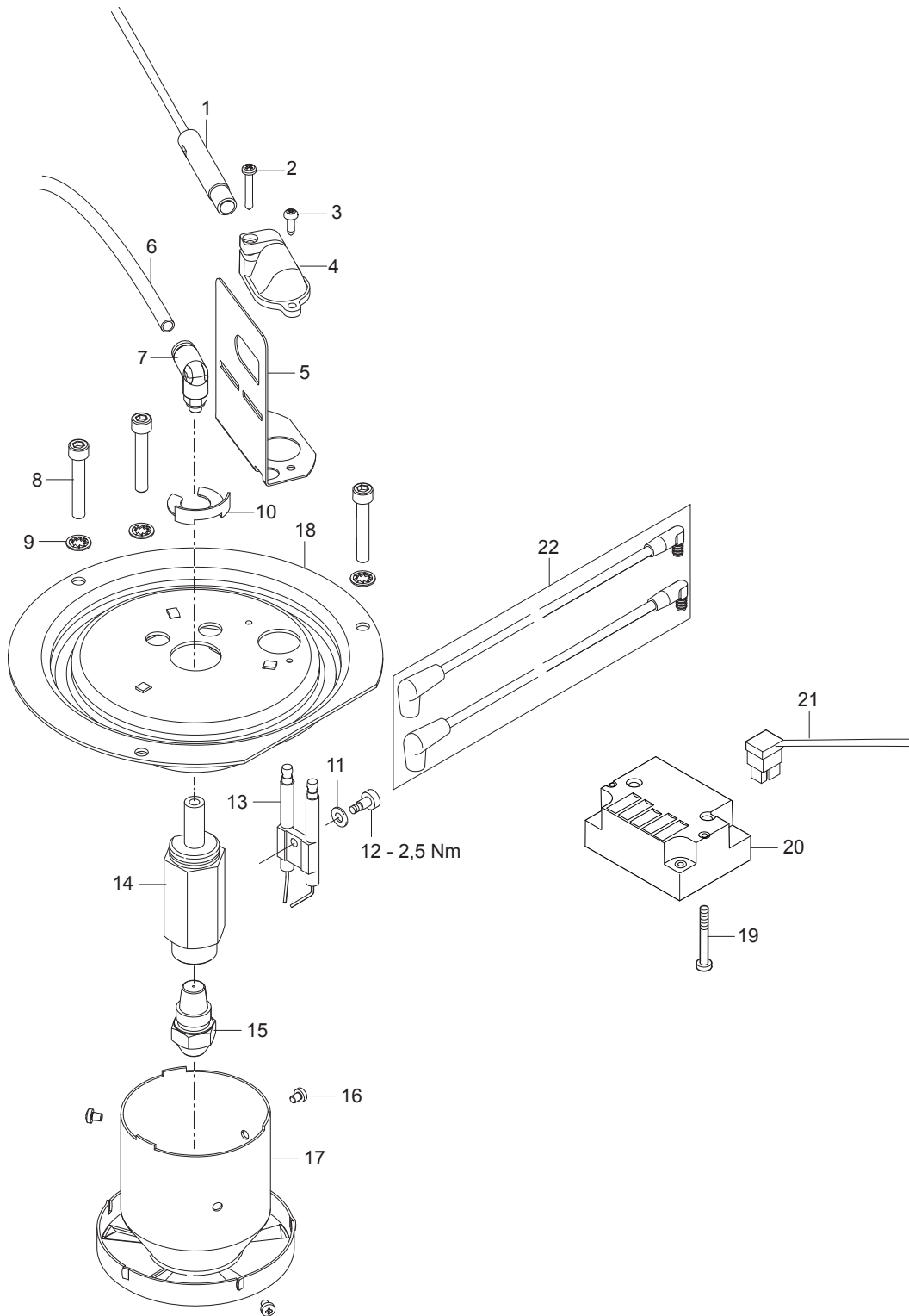
- [1] - TSB-PPW-2016-012 MH 4M FA None return valve 101117896 get stocked
 DE TSB-PPW-2016-012 MH 4M FA Strömungskolben 101117896 blockiert
- [2] - Up to Date and Serial number ?
- [3] - From date and serial number ?



Pos.	Artikel-Nr.	Menge	Variante	Notes
1	301000495	1	Lüftergehäuse	
2	301000852	1	Abdeckung	
3	32535	3	Zylinderschraube M5x16	
4	301000889	1	Lüfterrad	
4	301002126	1	Lüfterrad	[1]
5	107143096	1	MOTOR BURNER - 0.23KW/230V/50HZ/1PH	
5	107143097	1	MOTOR BURNER 390W/200-240V/50/60HZ	[1]
6	4697	2	Zylinderschraube M6x16	
7	101117707	1	Verbindungskupplung	
8	3821089	1	Spule,m. Mutter und Schei	
9	107143095	1	CABLE FOR SOLENOID VALVE 2X0.5	
10	101117706	1	Winkelverschraubung	
11	101117777	1	Schlauchverbindung zur Öl	
12	106408244	1	HOSE D6X2.5 - 5 METERS	
13	301001133	2	Schlauchklemme 10/7	
14	301002926	1	Filter	
17	31001081	1	FILTER FOR OIL PUMP	
18	101117673	1	Ölpumpe komplett	

Part Notes:

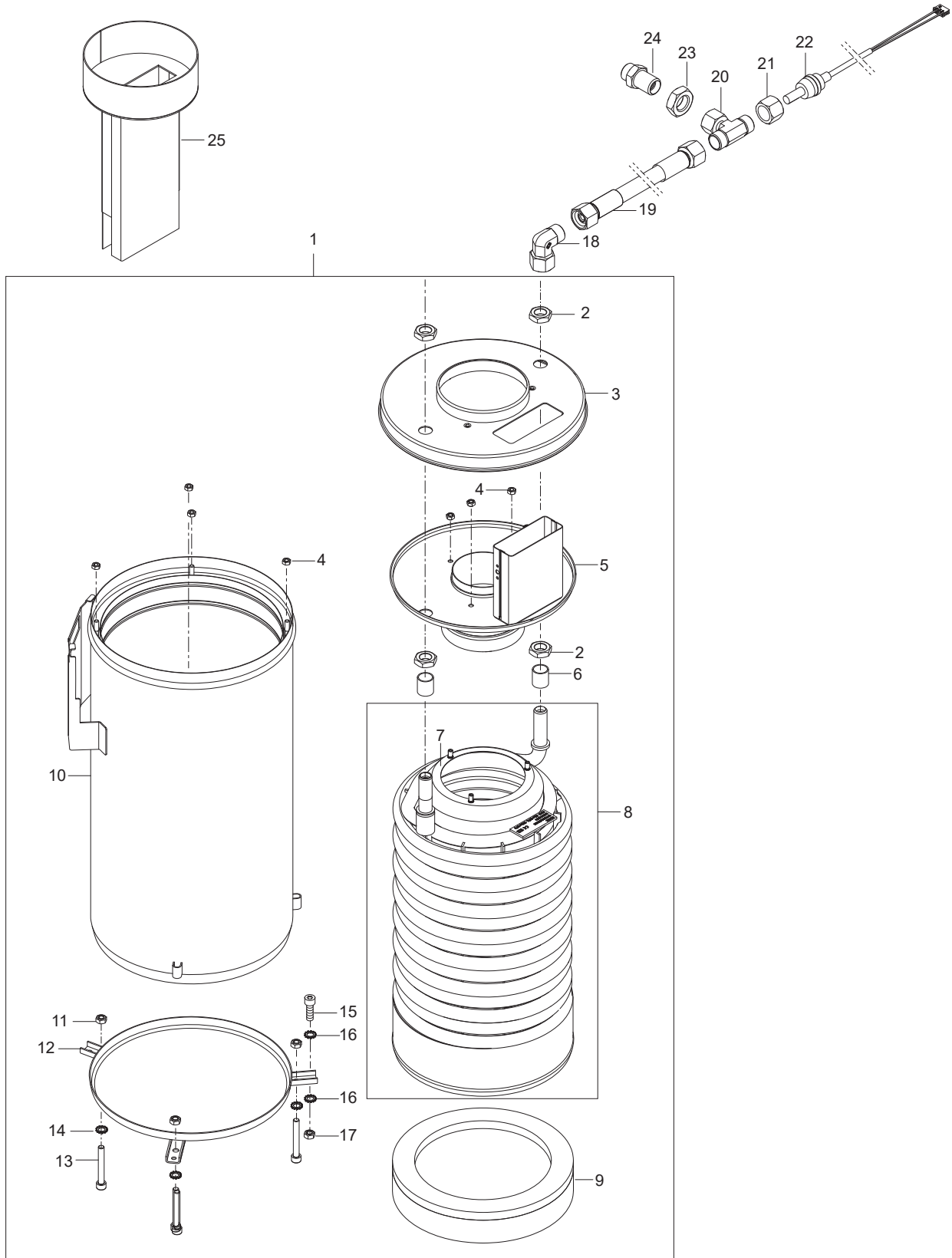
[1] - JP, EXPT



Pos.	Artikel-Nr.	Menge	Variante	Notes
1	107143100	1	FLAME SENSOR WITH CABLE	
2	5606	1	Blechschaube 2,9x19	
3	4036	1	Blechschaube 2,9x9,5	
4	301000934	1	Halter	
5	107143101	1	SHIELD FOR FLAME SENSOR	
6	909100141	1	Brennstoffleitung 4x1 mm x 1 m	
7	101117913	1	Winkerverschraubung	
8	3873	3	Schraube M5x30	
9	3376	3	Fächerscheibe 5,3 -A- DIN 6798 VA	
10	101117876	1	Sicherungsring	
11	909100144	1	Federscheibe B5	
12	909100143	1	Schraube M4x4,5	
13	301150009	1	Elektrode	
14	101117915	1	Düsenstock	
15	61659	1	Düse	[1]
15	2802712	1	Düse	[2]
15	301002856	1	Öldüse 0,75 / 60	[3]
16	51848	3	Linsenschraube M3x 4 DIN 7985 zn	
17	107143102	1	AIR DISTRIBUTOR CPL.	[1]
17	101117758	1	Stauscheibe	[2]
17	301002848	1	Stauscheibe	[3]
18	101117757	1	Abdeckung Brenner komplet	
19	909100149	2	Ejotschraube K50x50 WN 14	
20	101117759	1	Zündtransformator 220-240	
21	107143098	1	PRIMARY CABLE FOR IGNITION COIL	
22	101118220	1	2 X IGNITION CORDS KIT	

Part Notes:

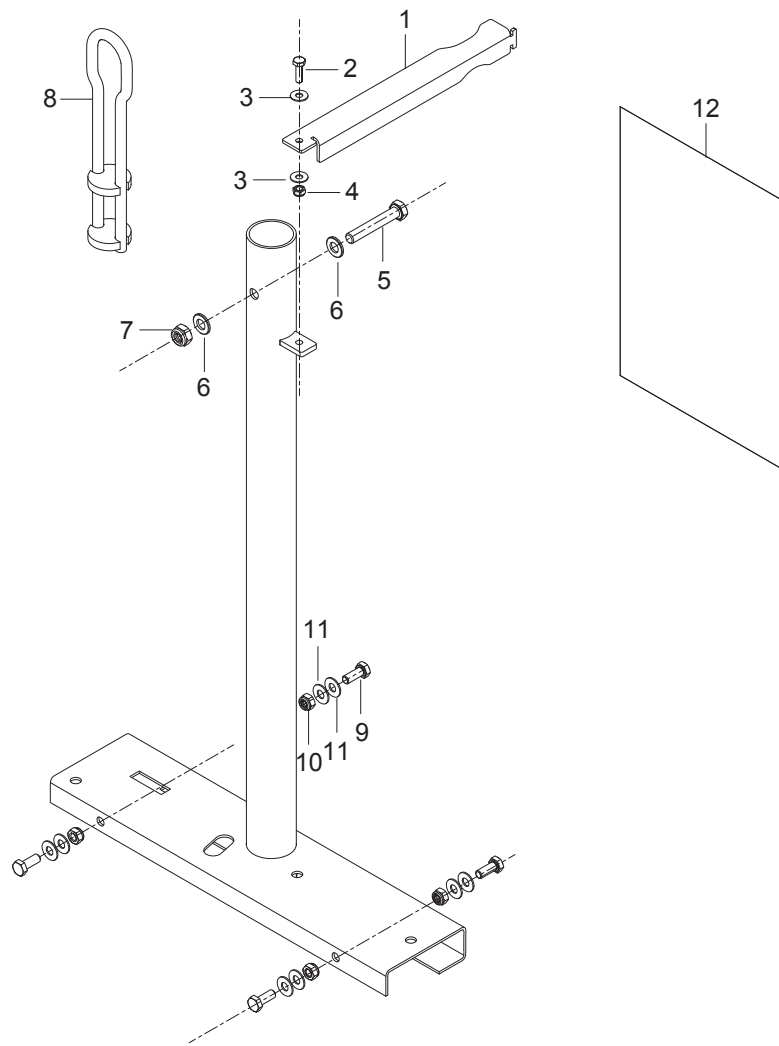
- [1] - 66kW
 [2] - 51kW
 [3] - 40kW



Pos.	Artikel-Nr.	Menge	Variante	Notes
1	107143103	1	HEAT EXCHANGER CPL. B2.5	
1	107143105	1	HEAT EXCHANGER CPL. B2.5 SS	
2	7012	4	Mutter 6kt M18x1,5	
3	101117768	1	Brennerdeckel au en	
4	12263	4	Sechskantmutter M6	
5	31001040	1	INSIDE BOILER TOP CPL B2.5	
6	301000582	2	Hülse	
7	31000527	1	Abschirmkegel FÜR KESSEL	
8	31001041	1	COIL WELDED B2.5	
8	31001048	1	COIL WELDED B2.5 STAINLESS STEEL	
9	31001042	1	INSULATION B2.5	
10	31001043	1	BOILER JACKET B2.5	
11	2758	3	Sechskantmutter M8 ISO 4032 zn	
12	31001044	1	BOTTOM PLATE WELDED B2/2.5	
13	3453	3	Sechskantschraube M8x60	
14	1810274	3	Fächerscheibe 8,2 -J- DIN 6798 VA	
15	4697	3	Zylinderschraube M6x16	
16	107143146	6	WASHER SERRATED M6	
17	11619	3	Sechskantmutter M6 ISO7042 A2K	
18	101118094	1	Kupplungssatz 90D ISO	
19	107143067	1	HP HOSE 5/16 DN8 BLACK W/2X DKL	
20	101118093	1	Verbindungsstück	
21	1081	1	Überwurfmutter DIN 3870-A L 12 St/zn	
22	107143083	1	TEMPERATUR SENSOR PT100 W/CABLE	
23	1803220	1	Mutter M18x1,5 I	
24	107143082	1	OUTLET FITTING	
25	106403197	1	CHIMNEY ADAPTOR B2/B2.5 ACCESSORY	[1]

Part Notes:

[1] - NEVER LAUNCHED



Pos.	Artikel-Nr.	Menge	Variante	Notes
0	106403199	1	Kranaufhängung für MH 3/MH 4	
1		1	Fixation for Pole	
2	106268067	1	SCREW KIT	
3	1800440	2	Scheibe M6	
4	11619	1	Sechskantmutter M6 ISO7042 A2K	
5	8928	1	Sechskantschraube M10x60	
6	1800317	2	Scheibe	
7	8952	1	Sechskantmutter M10 ISO 7042 zn	
8	301001090	1	Kranhaken Neptune	
9	2753	4	Sechskantschraube M8x 20 ISO 4017 zn	
10	1800515	4	Sicherungsmutter M8	
11	1800796	8	Scheibe 8,4	
12		1	Mounting instruction	[1]

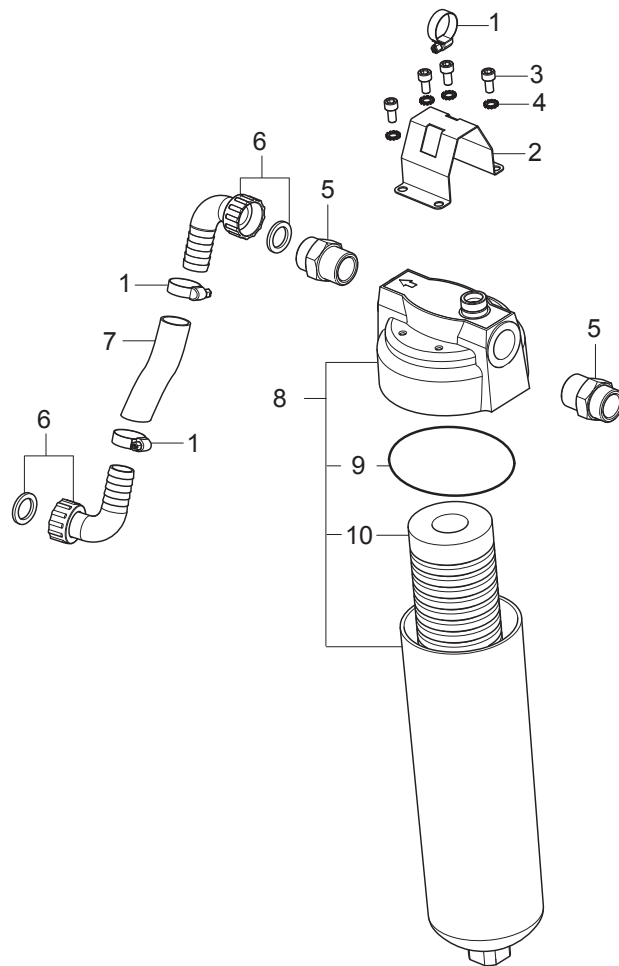
Part Notes:

[1] - Mounting instructions 3-4MH Nilfisk Lifting device

Pos.	Artikel-Nr.	Menge	Variante	Notes
1	106403122	1	ERGO 2000 STANDARD W. HOSE SWIVEL	[1]
2	101406069	1	HP HOSE DN6X10M QC 3/8IN NILFISK HW	[2]
3	106403036	1	UNIVERSAL PLUS LANCE 940	[3]
4	106403011	1	TORNADO PLUS 1000 gebogen	[4]
6	1602945	1	Kupplung kpl. 3/4	[5]
6	1600659	1	Nippel, Schnellkupplung	[5]
6	61369	1	Schlauchtülle ø20 R3/4" vormontiert CuZn	
7	101119737	1	HD-Düse 0370 TORNADO	[6]
7	101119738	1	Düse NT0400	[7]
7	101119739	1	HD-Düse 0435 TORNADO	[8]
8	301150005	1	HD-Düse 0475 TORNADO	[9]
9	101405770	1	HD-Schlauch DN 8x10m	[10]
10	101406102	1	HP-HOSE DN8X15M QC 3/8 NILFISK HW	[11]

Part Notes:

- [1] - ERGO 2000 Spray handle
- [2] - MH3 without hose reel
HOSES Overview
- [3] - MH 3M-100/600 PA 230/1/50 UK, MH 3M-140/580 PA 230/1/50 EU, MH 3M-160/770 PA 400/3/50 EU, MH 3M-160/770 PA 440-220/3/60 EXPT
UNIVERSAL PLUS lance
- [4] - MH 4M-130/720 FA 230/1/50 EU, MH 4M-180/860 FAL 400/3/50 EU,
MH 4M-100/680 PA 230/1/50 UK, MH 4M-180/890 FA 200/3/50 JP, MH 4M-200/960 FA 400/3/50 EU, MH 4M-210/1000 PAX 400/3/50 EU, MH 4M-220/1000 FA 400/3/50 EU
TORNADO PLUS lance
- [5] - UK, JP
- [6] - MH 3M-140/580 PA 230/1/50 EU
- [7] - MH 3M-160/770 PA 400/3/50 EU
- [8] - MH 4M-130/720 FA 230/1/50 EU, MH 4M-180/860 FAL 400/3/50 EU
- [9] - MH 4M-100/680 PA 230/1/50 UK, MH 4M-180/890 FA 200/3/50 JP, MH 4M-200/960 FA 400/3/50 EU, MH 4M-210/1000 PAX 400/3/50 EU, MH 4M-220/1000 FA 400/3/50 EU
- [10] - MH4 without hose reel
HOSES Overview
- [11] - MH4M with hose reel (X-tra)
HOSES Overview



Pos.	Artikel-Nr.	Menge	Variante	Notes
0	106403181	1	SAND FILTER ATTACHMENT ACCESSORY	
1	8298	3	Schlauchschelle SGL 16-27	
2		1	Bracket for sandfilter	
3	3913	4	Zylinderschraube M6x12	
4		4	Washer Serrated M6 - 6.4x11 DIN 6798A	
5	1605989	2	Nippel	
6	107143084	2	HOSE COUPLING 90° 20X3/4 PP W/NUT/GASKET	
7	107143031	1	FUELFLEX HOSE D28/D20 10BAR/20°	
8	1604461	1	Wasserfilter 50m CON	
9	3004248	1	O-RING 88,5 x 3,53	
10	1104041	1	Filterpatrone für Fein-	
		1	Mounting instruction SANDFILTER	[1]

Part Notes:

- [1] - Mounting instructions MH Nilfisk Sandfilter

