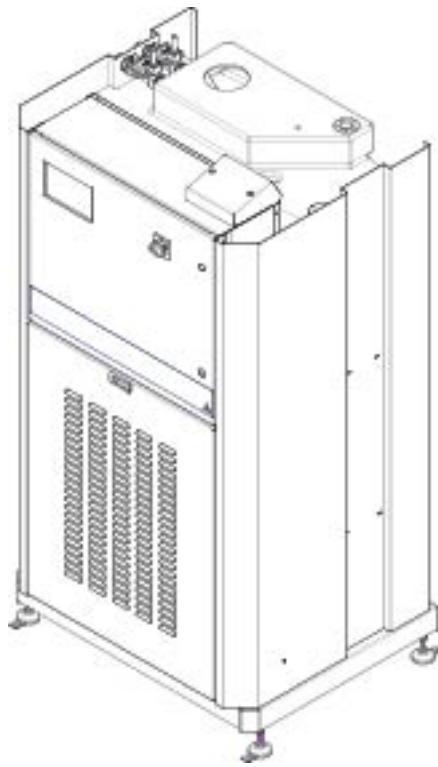


# PARTS LIST

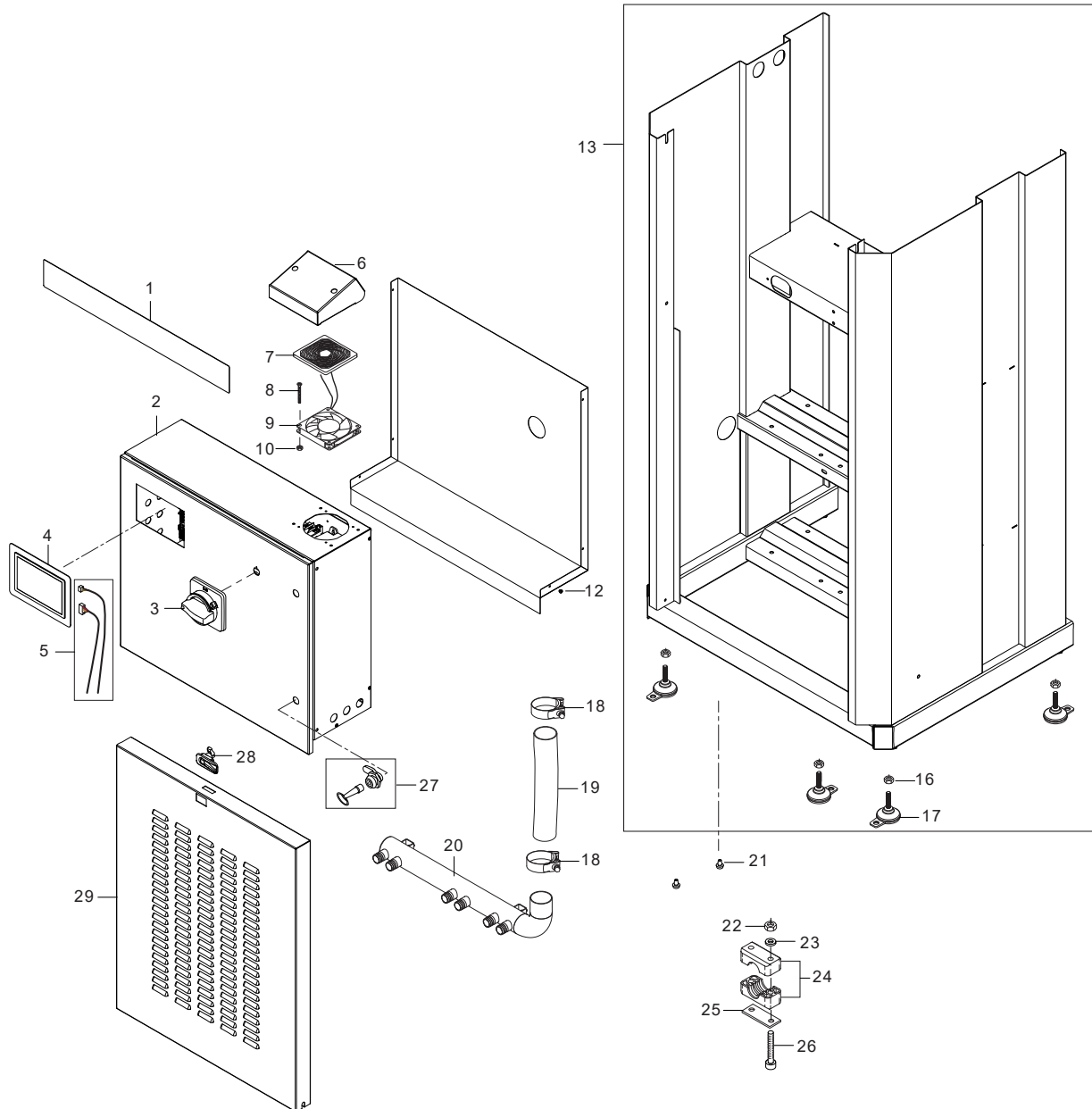


2020.09.23

# TABLE OF CONTENTS

---

Chassis .....	1
Manifold .....	3
Electric box .....	5
Motor .....	7
Cylinder block .....	10
Pressure relief .....	12
Water break tank .....	14
Default accessories .....	16

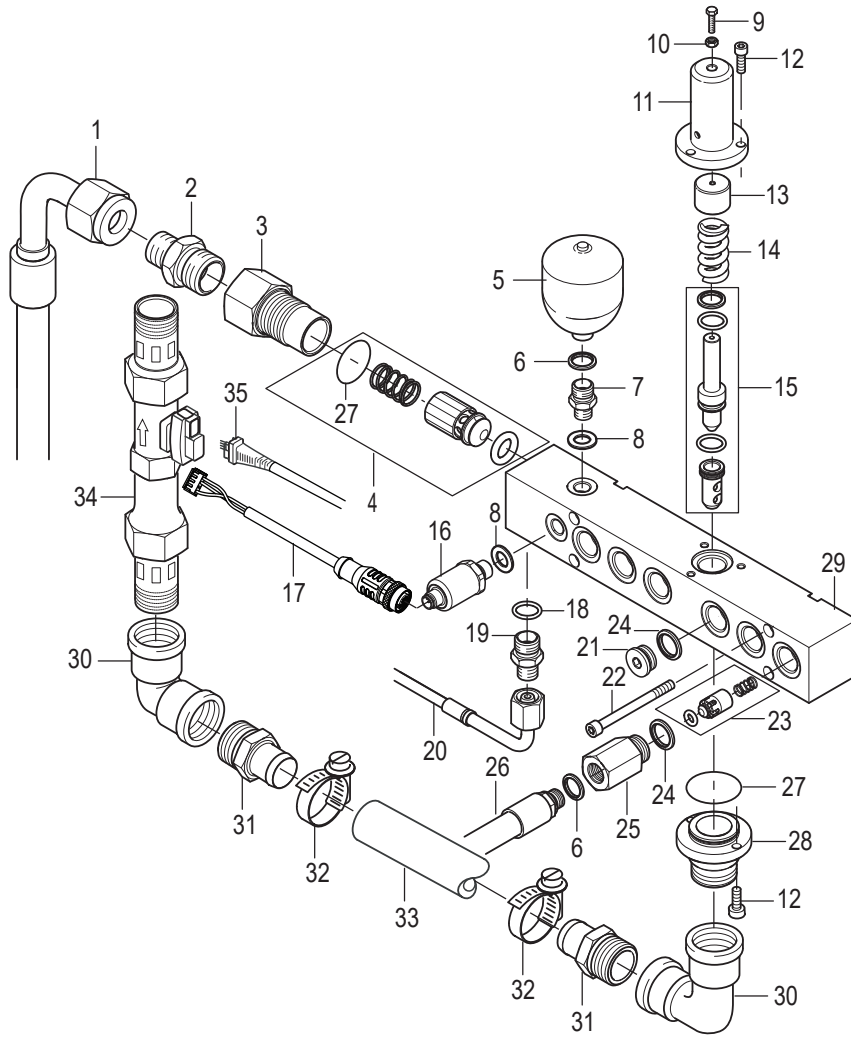


mal

Pos.	Artikel-Nr.	Menge	Variante	Notes
1	107307405	1	FRONTLABEL SC DELTA	
2		1	Electric box	[1]
3	107307406	1	HANDLE PADLOCKABLE	
4	107307407	1	DISPLAY TOUCH	[2]
5	107307408	1	CABLE TOUCH DISPLAY	[2]
6	107307409	1	COVER FOR BOARD FAN OUTSIDE E-BOX.	
7	107307411	1	FILTER FOR BOARD FAN	
8	107318103	4	SCREW M4X40 DIN965-A	
9	107307410	1	BOARD FAN	
10	1800127	4	Gegenmutter	
12	107307413	6	POP RIVET D4.8X10.8 W/D9.5 A2	
13	107307454	1	FRAME MOUNTED ON PALLET	
16	1810068	4	Mutter	
17	107307415	4	SUPPORTING BLOCK	
18	107307416	2	HOSE CLAMP S D68/D73	
19	107307417	1	HOSE D60/D70 PVC	
20	107307418	1	PIPE INLET	
21	107307419	1	RUBBER FOOT D6X12 BLACK	
22	33158	2	Sechskantmutter M6 ISO7042 VA (A2)	
23	1802917	2	Scheibe M8	
24	1609298	1	BRACKET FOR PIPE 35 MM	
25	7302022	1	PLATE FOR 35 PIPE CLAMP	
26	107307420	2	SCREW M6X70 ISO4762 A2	
27	31001169	2	LOCK & KEY	
28	107307399	1	LIFT AND TURN CAM LATCHES	
29	107307421	1	CABINET SS	

Part Notes:

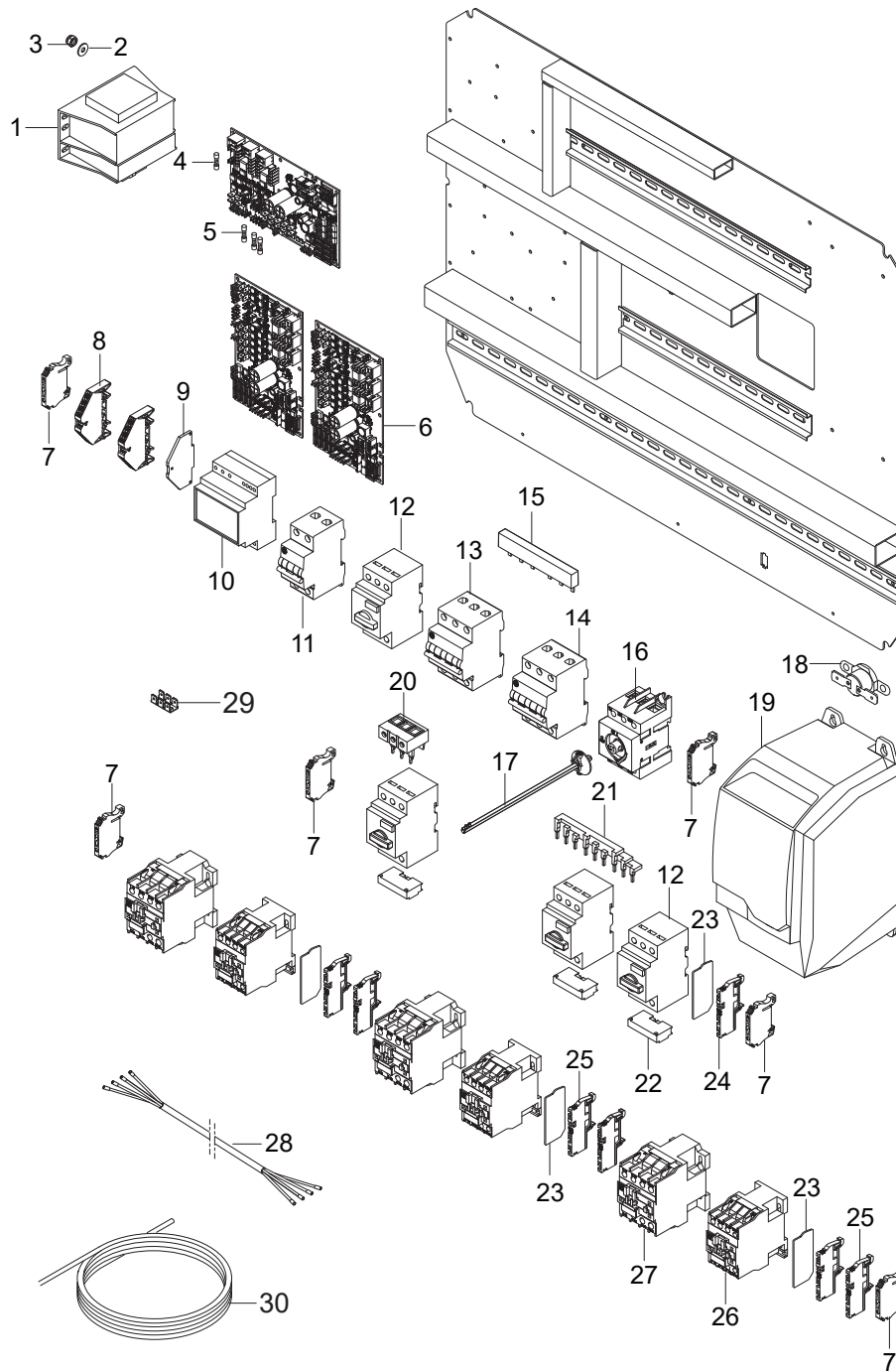
- [1] - Electric box
- [2] - TSB-PPW-2018-009 SC DELTA Display Freezing  
DE TSB-PPW-2018-009 SC DELTA Display zeigt keine Reaktion



Pos.	Artikel-Nr.	Menge	Variante	Notes
1	107307402	1	HOSE DN25X1.2M 2SC MAX WP 165 BAR	
2	107307422	1	FITTING D28-L 1INCH	
3	107307423	1	PLUG FOR NON RETURN VALVE	
4	101118270	1	PISTON FOR NON RETUR VALVE KIT	
5	4600575	1	Hydrospeicher	
6	1801075	2	Dichtring	
7	107307424	1	NIPPLE HEX FOR PRESSURE ACCUMULATOR	
8	1803493	2	Dichtungsscheibe	
9	1809961	1	Bolzen M8x35	
10	1801905	1	Mutter M8	
11	107307425	1	HOUSE FOR SPRING	
12	1814593	3	SCREW M6X16	
13	107307384	1	THRUST PLATE FOR OVERFLOW VALVE	
14	107307396	1	SPING FOR MANIFOLD	[1]
15	101118271	1	BY-PASS VALVE KIT	
16	107307344	1	PRESSURE TRANSMITTER	[2]
17	107307426	1	M12X1 CONNECTOR W/CABLE	
18	101814735	1	Dichtring	
19	1821	1	Verbindungsstück	
20	107307404	1	HOSE FOR PRESSURE RELIEF DN2. COMPLETE	
21	G181419	1	Stopfen 24X12	
22	1814634	4	Schraube M6 x 50	
23	101118272	1	RETAINING PRESSURE VALVE KIT	
24	1807932	6	Dichtring	
25	107307427	1	HOUSING FOR NON-RETURN VALVE	
26	107307401	3	CONNECTION HOSE DN12 940MM. COMPLETE	
26	107307400	1	CONNECTION HOSE DN12 530MM. COMPLETE	
27	107307428	1	O-RING 33.05X1.78 NBR 70 SHORE	
28	107307429	1	PLUG FOR BY-PASS	
29	107307430	1	MANIFOLD FOR PUMPS	
30	107307431	2	ELBOW 90DEG FEM/FEM 1INCH	
31	107307432	2	FITTING FOR BY-PASS	
32	1810225	2	Schlauchschele	
33	107307433	1	HOSE MULTIFLEX 15 D25MMX50M SORT	
34	107307434	1	VORTEX FLOW SENSOR VFS 10	
35	107307435	1	CABLE FOR VFS 10-200 FLOWSSENSOR	

Part Notes:

- [1] - The first SC Delta machine with coil spring in thr manifold:  
Item No.: 107342006  
Serial No.: 3520190500742  
  
TSB-PPW-2019-004 SC DELTA Spring for by-pass valve changed  
DE TSB-PPW-2019-004 SC DELTA Änderung am Bypassventil
- [2] - TSB-PPW-2017-013 SC DUO 7P Pressure Transmitter change  
FR TSB-PPW-2017-013 SC DUO 7P Nouveau capteur de pression  
DE TSB-PPW-2017-013 SC DUO 7P Änderung des Druckfühlers

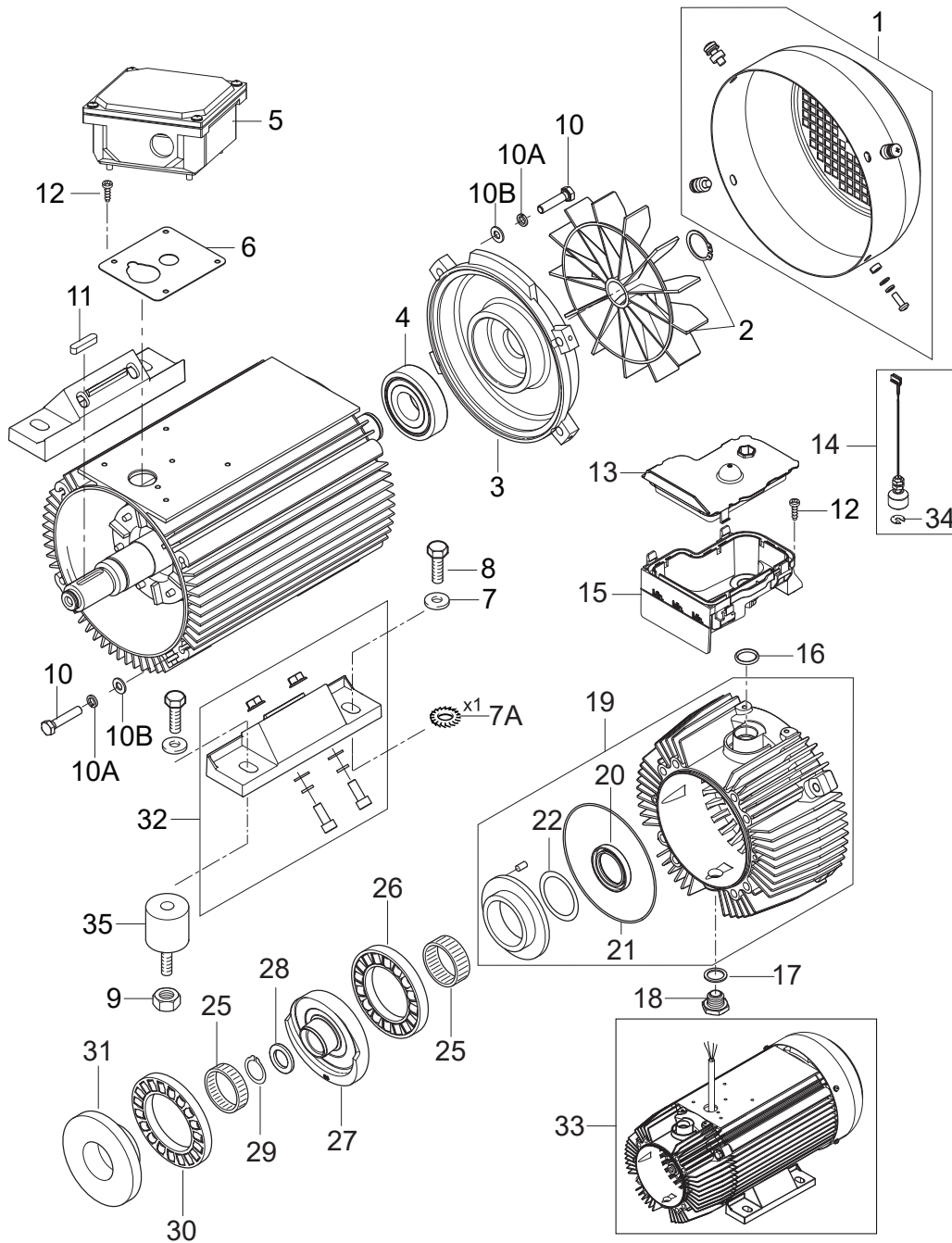


Pos.	Artikel-Nr.	Menge	Variante	Notes
1	107307437	1	TRAFO 100VA PR: 230-400-440.SEC1+2:100VA	
2	5166	6	Scheibe 5,3x1,6 A ISO 7093-1 zn	[1]
3	1804285	6	Sechskantmutter M5	
4	31001190	1	FUSE 6.3A 5X20 MM 250V	
5	15846	3	Sicherung 5x20 2,5A T	
6	101118236	3	PCBA NEO PLATFORM 13 SC KIT	
7	107318193	5	END BRACKET FOR DIN-RAIL	
8	107307438	2	TERMINAL BLOCK PRV 4 SW 35X7.5 RT	
9	107307439	1	ENDPLATE PAP PRV/PPV4SW	
10	107307440	1	FLOW SENSOR INTERFACE CONVERTER	
11	107307441	1	CIRCUIT BREAKER 1A 2-POL	
12	107307442	7	CB 14.5-20A AB-140M-C2E-C20	
13	107307443	1	CURCUIT BREAKER 63A 3-POL	
14	107307444	1	CIRCUIT BREAKER 50A 3-POL	
15	107307445	1	BUSBAR FOR CURCUIT BREAKER	
16	107307446	1	MAIN SWITCH 125A 3-POLET	
17	107307447	1	EXTENSION SHAFT	
18	107307448	1	KLIKSON 35DEG – CONNECTION 6.3MM FASTON	
19	107307449	1	INVERTER BFI-E2 11 KW - 24A	
20	107307450	2	SUPPLY TERMINAL	
21	107307451	1	BUSBAR 45MM 3X3	
22	107307452	7	AUX SWITCH AB	
23	107318190	7	END PLATE PAP 2.5/4/3AN	
24	107318189	1	TERM.BLOCK PE PUSH IN P-SER.PPE2.5/4/3AN	
25	107318194	12	TERM.BLOCK PUSH IN P-SER.PDU 2.5/4/3AN	
26	103822306	6	Schütz CJX2-D18-B7 24V	
27	103822312	6	CONTACTOR CJX2-D25-B7 24V	
28	107307475	1	MOTORCABLE NO.6	
28	107307474	1	MOTORCABLE NO.5	
28	107307473	1	MOTORCABLE NO.4	
28	107307472	1	MOTORCABLE NO.3	
28	107307471	1	MOTORCABLE NO.2	
28	107307470	1	MOTORCABLE NO.1	
29	107307326	1	ERDUNGSANSCHLUSS 6 PIN	
30	31001016	1	REMOTE/JUNCTION BOX CABLE 25 M	
	101221030		SERVICE TOOL BOX	

Part Notes:

[1] - Subtype local item





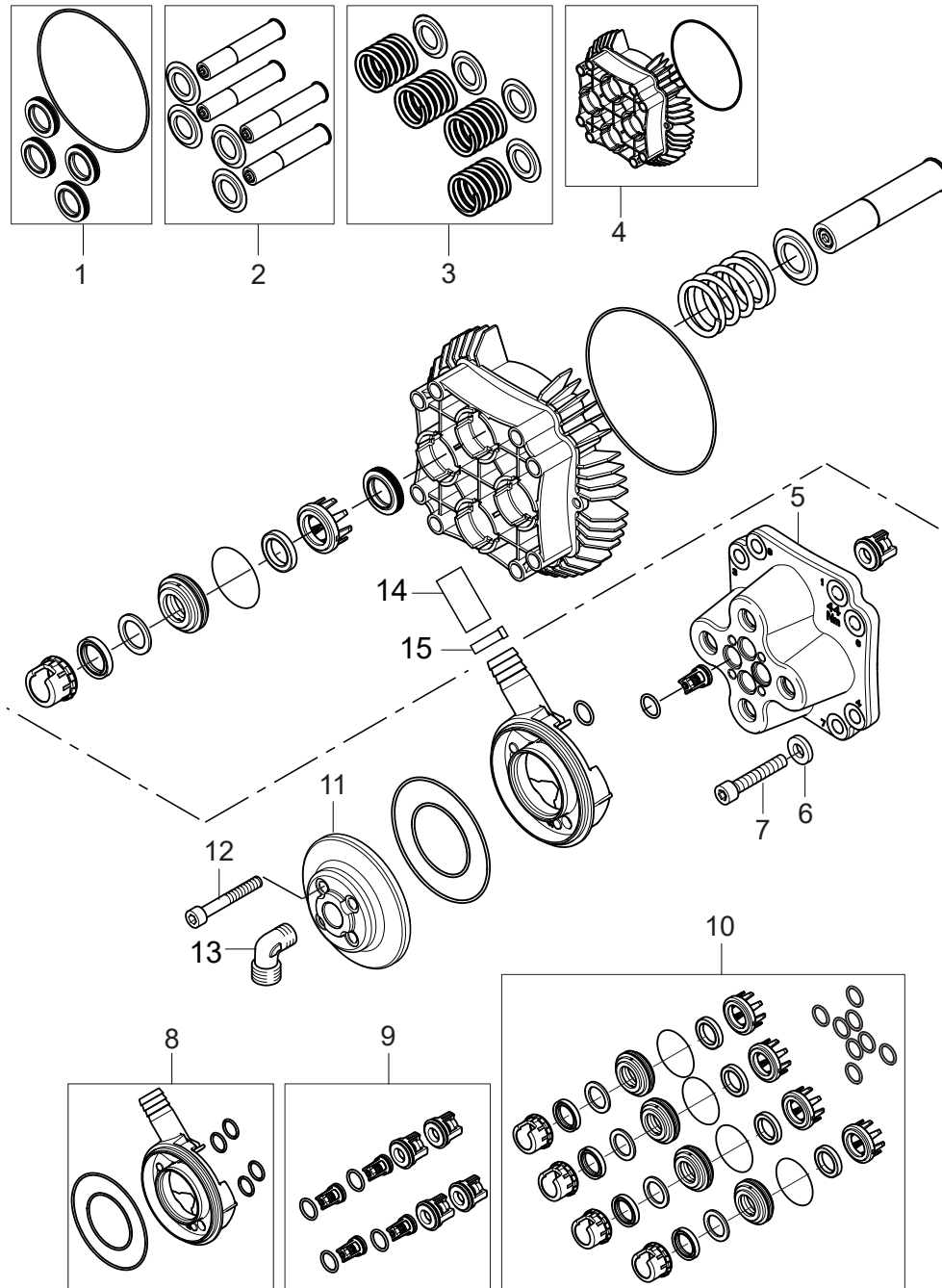
Pos.	Artikel-Nr.	Menge	Variante	Notes
	31001229	1	OIL ISO 150 ALPHASYN-T 20L	
0	5218433	1	Pumpenöl 150 1x1l	
	107307491	1	MPU NA6 7.5KW 440/60/3/5.05D T. 200BAR	
	107307490	1	MPU NA6 7.5KW 440/60/3/5.05D B. 200BAR	
	107307489	1	MPU NA6 7.5KW 440/60/3/5.8D T. 160BAR	
	107307488	1	MPU NA6 7.5KW 440/60/3/5.8D B. 160BAR	
	107307487	1	MPU NA6 7.5KW 400/50/3/7.05° F. 160BAR	
	107307486	1	MPU NA6 7.5KW 400/50/3/7.05D B. 160BAR	
	107307485	1	MPU NA6 7.5KW 400/50/3/11.02D T. 100BAR	
	107307484	1	MPU NA6 7.5KW 400/50/3/11.02D B. 100BAR	
1	107144628	1	FAN COVER LARGE	
2	107142275	1	FAN AND RETAINING RING	
3	31000148	1	Lagerdeckel	
4	31000149	1	Lager RF	
5	107307453	1	E-BOX FOR MP NA6	
5A	107140881	6	SCREW M5X12 DIN 7985 TORX	
6	107140875	1	Dichtung	[1]
7	107307315	7	PLAIN WASHER 10.5X22X1.25	
7A	10204	1	Fächerscheibe 10,5 -A- DIN 6798 FSt/zn	
8	9097462000	4	SCREW M10X25 HEX HD F/THD SS ISO4017	[2]
9	1800465	4	Mutter M10	
9	1802966	4	Mutter M10	
10	6863	8	Zylinderschraube M8x 35 ISO4762 8.8 zn	
10A	2798	8	Federring 8	
10B	2762	8	Scheibe 8,4x1,6 ISO 7089 zn	
11	107140880	1	KEY 6X6X32 A DIN 6885	
12	4820	6	Zylinderschraube M5x10	
13	107140877	1	Deckel	
14	101118309	1	OIL SENSOR W/PLUG KIT SC DELTA	
15	107143094	1	OIL CONTAINER BOTTOM	
16	107140882	1	O-Ring 15,0 x 3,0	
17	106408208	1	KUPFERDICHTRING 17X25X1.5	
18	6150400	1	Verschlusspfropfen	
19	101118067	1	Lagerdeckel	
20	3001146	1	Wellendichtring	
21	106408215	1	O-RING 126.71 X 1.78 NBR 72	
22	6100995	1	Scheibe 53x40,5x1,25	
25	106408206	2	CYL. ROLLER BEARING K81 212-TV AX. D11	
26	3200615	1	Axialrollenlager	
27	106408213	1	Taumelscheibe 7.05DEG	[3]
27	106408212	1	Taumelscheibe Poliert 5,8 DEG	[4]
27	106408211	1	WOBBLE DISC POLISHED 5.05DEG	[5]
27	106408268	1	WOBBLE DISC POLISHED 11.02DEG	[6]
28	106408204	1	Scheibe D32 x D20.1 x 3 Stahl	
29	1802057	1	Seegerring U 20 x1,2	
30	106408206	1	CYL. ROLLER BEARING K81 212-TV AX. D11	
31	106408207	1	BEARING TRACK THRUST	[7]
32	106408249	1	FEET FOR MOTOR	
33	107144627	1	MOTOR NA6-7.5KW/230/400V/50HZ/3PH XL FAN	[8]
34	107142593	1	HOLDING WASHER PE	
35	107318092	4	Vibrationsdämpfer M10	

## Part Notes:

- [1] - TSB-PPW-2018-012 NA5\_NA6 mpu. Water enters into the stator.
- [2] - GUARANTEE DATE EXPIRED
- [3] - SC DELTA 6P (all except SC DELTA 6P 160/6000-4 440/3/60 EXPT)
- [4] - TSB-PPW-2019-007 C3 NA6 Wobble Disc and Bearing Track surface hardening change

SC DELTA 6P 160/6000-4 440/3/60 EXPT

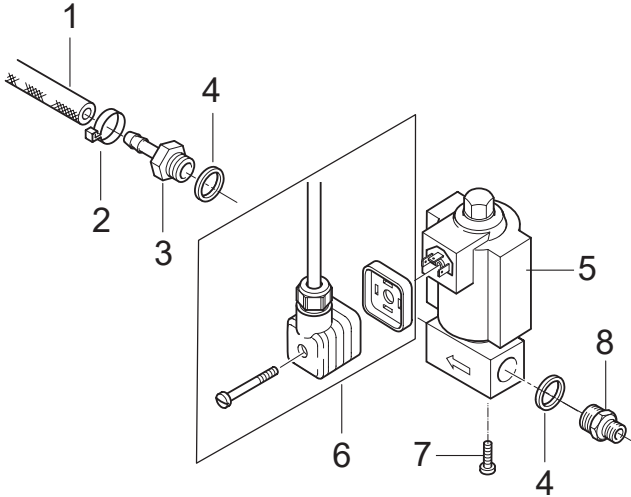
- [5] - TSB-PPW-2019-007 C3 NA6 Wobble Disc and Bearing Track surface hardening change  
UNITOR
- [6] - SC DELTA 8P
- [7] - TSB-PPW-2019-007 C3 NA6 Wobble Disc and Bearing Track surface hardening change
- [8] - SC DELTA 6P 400/3/50 EU, SC DELTA 6P 440/3/60 EXPT,  
SC DELTA 8P 400/3/50 EU, UNITOR



Pos.	Artikel-Nr.	Menge	Variante	Notes
1	101118057	1	SEAL KIT FOR CYLINDER BLOCK NA6	
2	101118281	1	PISTON KIT NA6 CL12	[1]
2	101118066	1	Kolbensatz NA6 Pumpe	[2]
2	101118065	1	Kolbensatz mit Markierung NA6 6-79 6-61F	[3]
3	101118059	1	Rückhohlfedern Satz NA& Pumpe	
4	101118060	1	Zylinderblock NA6 Pumpe	
5	106408197	1	Pumpenkopf D24 NA6	
6	2767	1	Scheibe 10,5x2,0 ISO 7090 zn	
7	1813393	1	Schraube M10 x100 8.8	
8	101118268	1	INLET MANIFOLD - 1INCH KIT	
9	101118062	1	Kit Ein-/Auslassventil - NA6	
10	101118276	1	WASSER DICHTUNGSSET - NA6	[4]
10	101118325	1	WATER SEAL NA6 HEAVY DUTY HOT WATER KIT	
11	107307455	1	MANIFOLD OUTLET NA6	
12	9543	4	Schraube M8 X 55 8.8	
13	107307456	1	ELBOW COUPLING 90DEG 15-L 1/2INCH	
14	107307433	1	HOSE MULTIFLEX 15 D25MMX50M SORT	
15	1810225	1	Schlauchschelle	

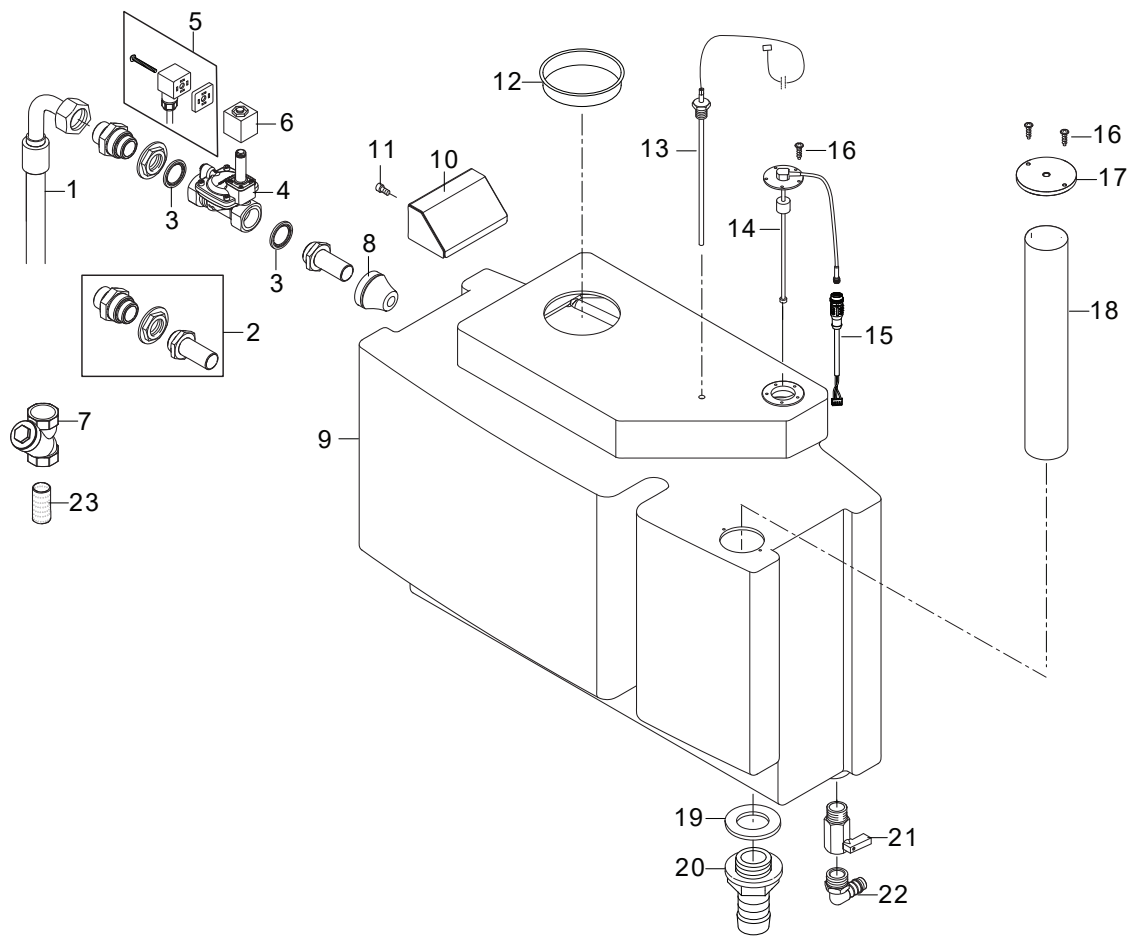
## Part Notes:

- [1] - SC DELTA 8P 100/7500  
SC DELTA 8P 100/10000  
SC DELTA 8P 100/15000
- [2] - SC DELTA 6P 160/6000-4 440/3/60 EXPT  
SC DELTA 6P 160/9000-6 440/3/60 EXPT
- [3] - SC DELTA 6P 160/4500  
SC DELTA 6P 160/6000  
SC DELTA 6P 160/9000
- [4] - Implementation date: July 2017  
Serial Number: 3520172701255  
TSB-PPW-2017-017 NA6\_NA6plus Water Seal Kit changes  
DE TSB-PPW-2017-017 NA6 und NA6 Wasserdichtungskit Überarbeitung  
FR TSB-PPW-2017-017 Changement des kit joints d'eau pompe NA6



---

Pos.	Artikel-Nr.	Menge	Variante	Notes
1	4973	1	Schlauch 6x3 mm x 1 m	
2	1807593	1	Schelle 7-13 mm, Rostfrei	
3	1608512	1	Schlauchstutzen 1/4 B5	
4	1803493	2	Dichtungsscheibe	
5	107307436	1	SOLENOID VALVE NC 2/2-WAY 1/4 24V 50HZ	
6	107307397	1	VALVE PLUG CABLE	
7	19647	2	Schraube M6 X 10	
8	1600410	1	Verschraubung	





Pos.	Artikel-Nr.	Menge	Variante	Notes
1	107307403	1	HOSE DN25X1M 1SC MAX. WP 88 BAR	
2	101118274	1	FITTING INLET/OUTLET KIT	
3	107307457	2	SEALING WASHER HP 1INCH	
4	107307458	1	SOLENOID VALVE NC 2/2-WAY	
5	107307397	1	VALVE PLUG CABLE	
6	3808151	1	Spule 24V, 50Hz	
7	107307398	1	DIRT TRAP 1 1/4INCH BSPP BRASS	
8	107307459	2	CABLE GROMMET TET 20-26C D38 EPDM BLACK	
9	107307460	1	WATER BREAK TANK	
10	107307461	1	PLATE FOR INLET	
11	1804475	5	SCHRAUBE M5x12 ISO 14583-A2 TORX	
12	104601176	1	Revisionsabdeckung	
13	107307462	1	SENSOR PT 100	
14	107307463	1	WATER LEVEL SENSOR 550 MM	
15	107307426	1	M12X1 CONNECTOR W/CABLE	
16	1814614	7	Schraube 5x18	
17	107307464	1	FITTING FOR FILTER	
18	107307465	1	FILTER FOR WBT	
19	107307466	1	SEAL EXT. THREAD 2INCH	
20	107307467	1	HOSESTUD D60X2INCH	
21	107307468	1	MINI BALLVALVE MALE/FEM 3/4	
22	107307469	1	HOSE TAIL ELBOW D16X3/4INCH	
23	31001191	1	FILTER F/DIRT TRAP	



Pos.	Artikel-Nr.	Menge	Variante	Notes
1	107371041	1	OPTION FEED PUMP	[1]
2	107371042	1	OPTION COLD/HOT INLET MIX.	[1]
3	107371043	1	OPTION REMOTE CONTROL	[1]
4	107371050	1	ACCESSORY REMOTE SYSTEM STATUS	[2]
4A	107307476	1	CABLE FOR REMOTE SYSTEM STATUS	[3]
5	107371052	1	ACCESSORY COLD/HOT INLET MIX.	[4]
6	107371053	1	ACCESSORY REMOTE CONTROL	[5]
7	106403122	1	ERGO 2000 STANDARD W. HOSE SWIVEL	
8	106402191	1	Sprühgriff Variopress	
10		1	Lances	[6]

## Part Notes:

- [1] - Option
- [2] - MI - 107309179 Remote Systems Status
- [3] - Part of 107371050
- [4] - 107371052 Cold-hot inlet mix
- [5] - MI - 107309168 Remote Control (SC UNO - SC DUO)
- [6] - 106403206, 106403207, 106403208, 106403209, 106403210 - Single lance 30, 60 and 160bar  
106403201, 106403202, 106403203, 106403204 - Single lance 100bar

