

 **Nilfisk**[®]

 07351-5758060

kontakt@nilfisk-alto-shop.com



Preisabfrage bzw. Bestellungen der Artikel im Shop unter

www.nilfisk-alto-shop.com

einfach die Artikelnummer in die Suchmaske eingeben

(Bitte die Artikelnummer ohne Leerzeichen eingeben)

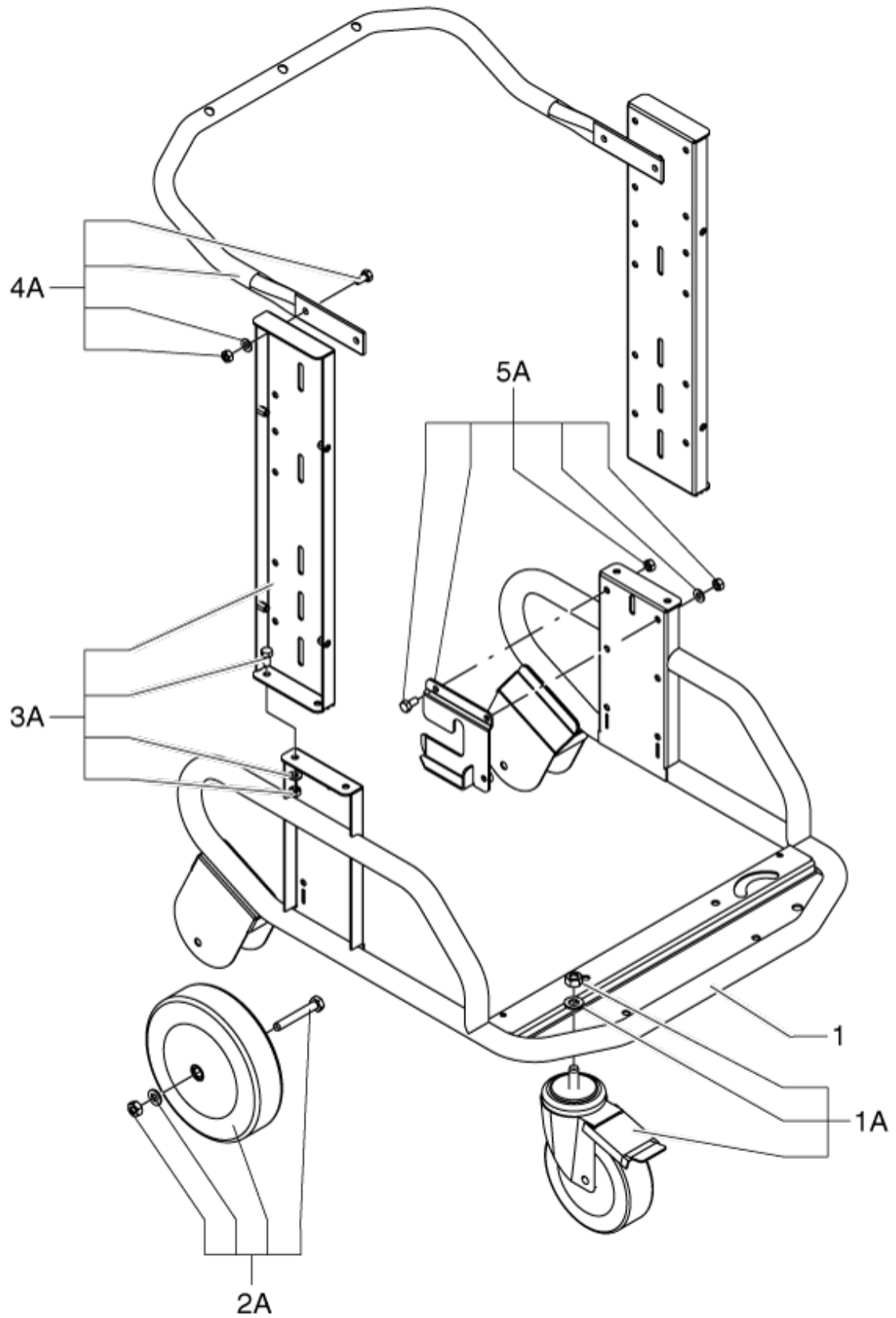
PARTS LIST



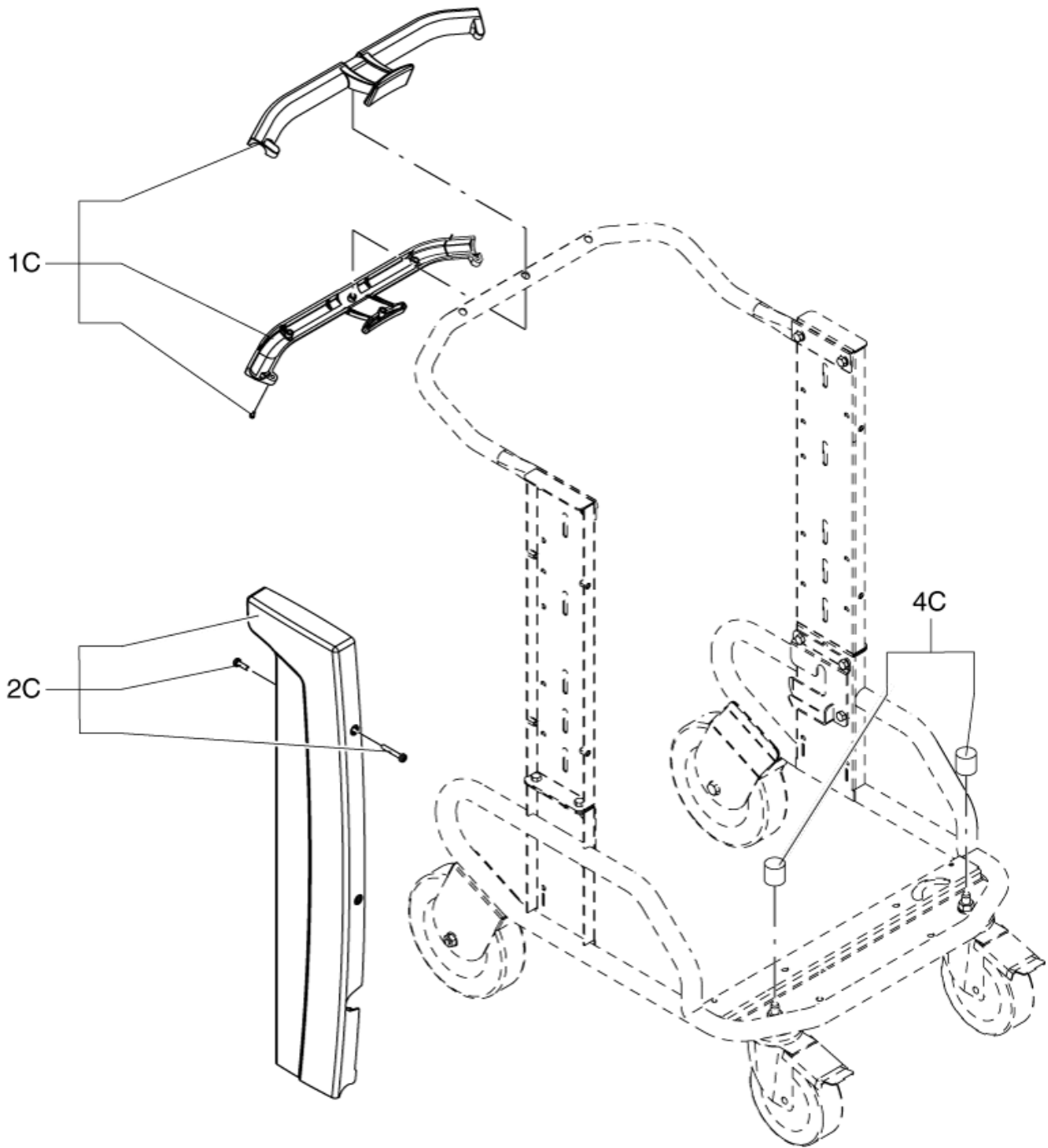
2017.06.22

TABLE OF CONTENTS

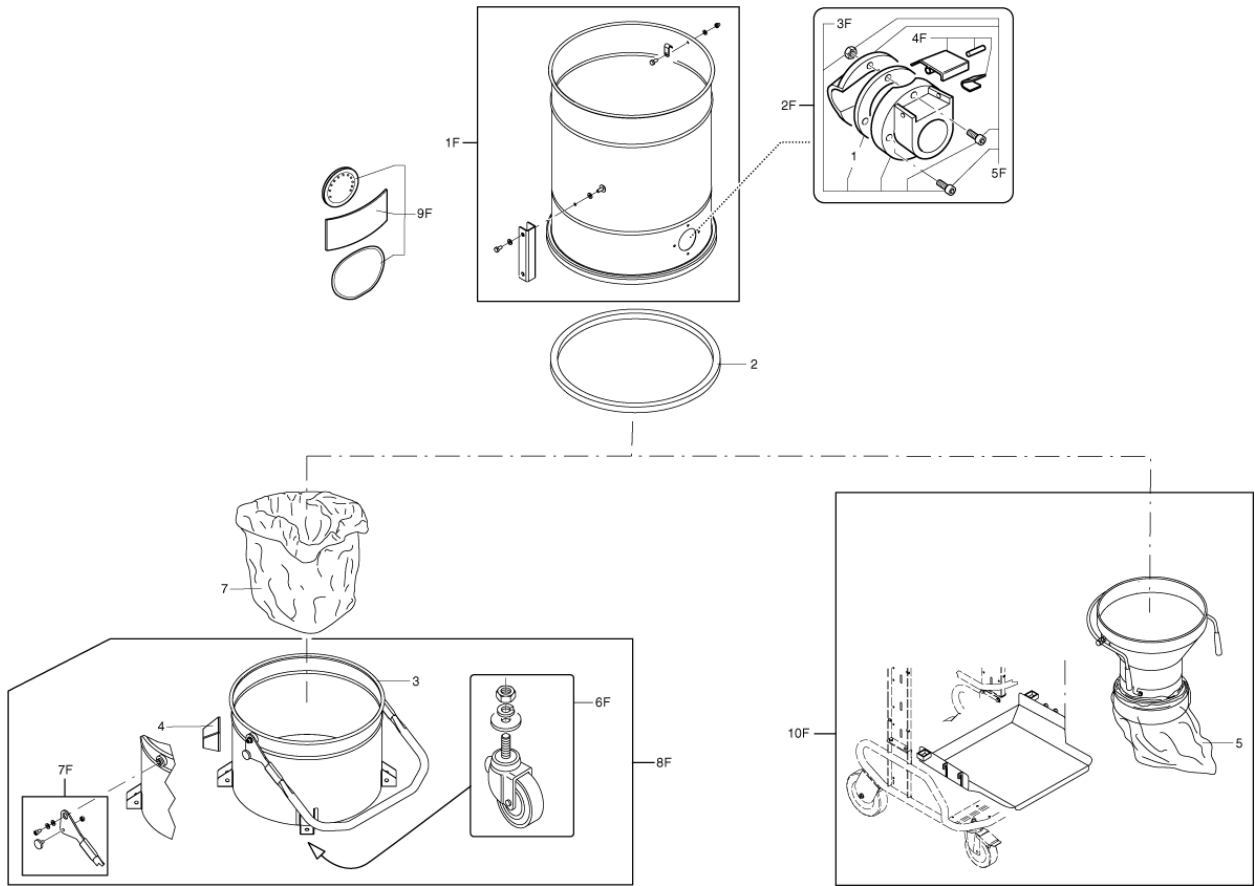
| | |
|-------------------------------|----|
| Car 01 | 1 |
| Car 02 | 3 |
| Container unit | 5 |
| Liquid kit | 7 |
| Filter group | 9 |
| Suction unit | 11 |
| Recommended Spare Parts | 13 |



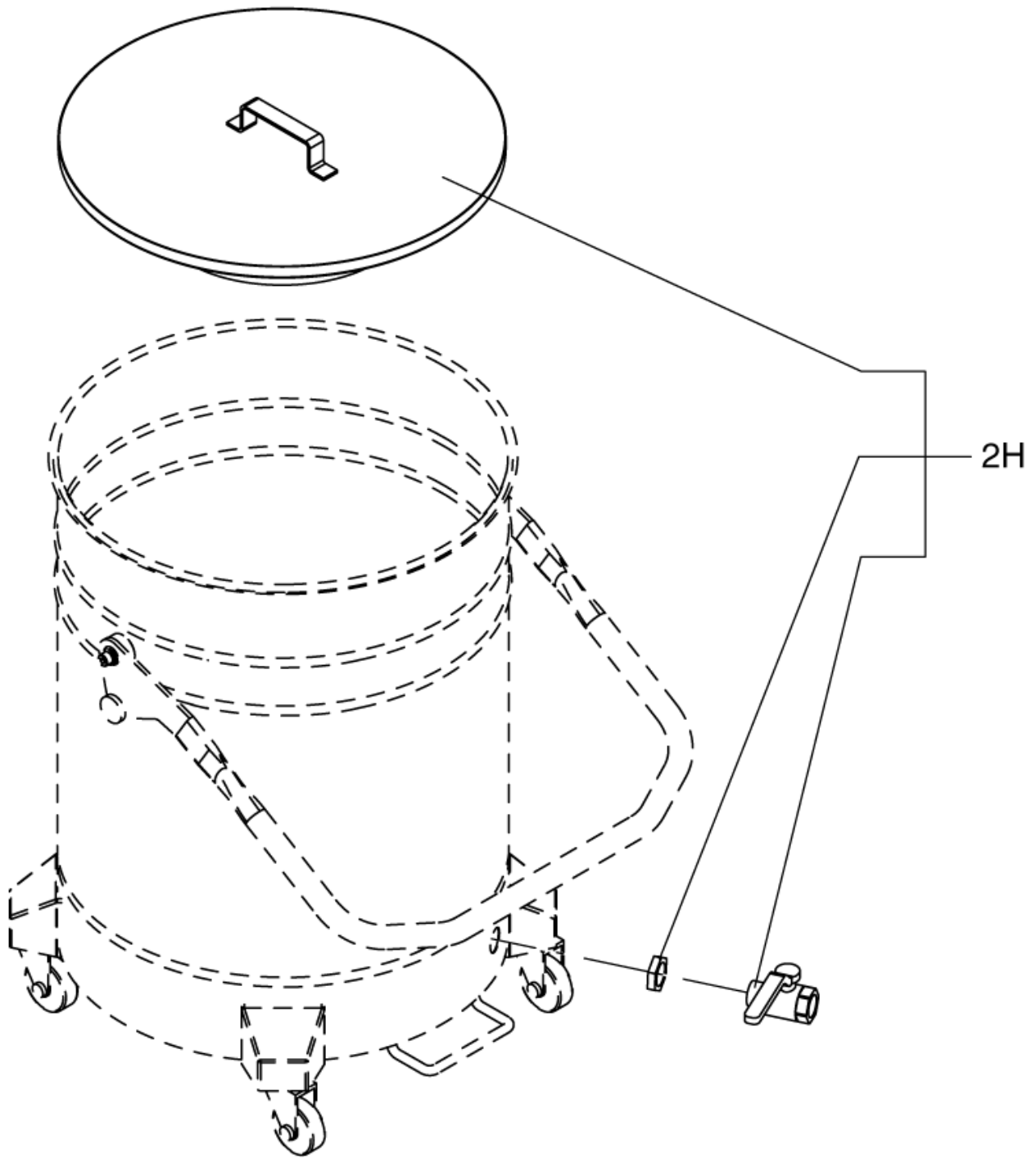
| Pos. | Artikel-Nr. | Menge | Variante | Notes |
|-------------|--------------------|--------------|-------------------------------|--------------|
| 01 | 4083600611 | 1 | TROLLEY FOR MODEL S2-S3 R7016 | |
| 01A | 40000874 | 1 | KIT REVOLV. CASTOR D150 | |
| 02A | 40000873 | 1 | Rad D200 Kit | |
| 03A | 40000871 | 1 | UPRIGHT KIT | |
| 04A | 40000891 | 1 | HANDLE KIT | |
| 05A | 40000872 | 1 | Befestigungskit | |



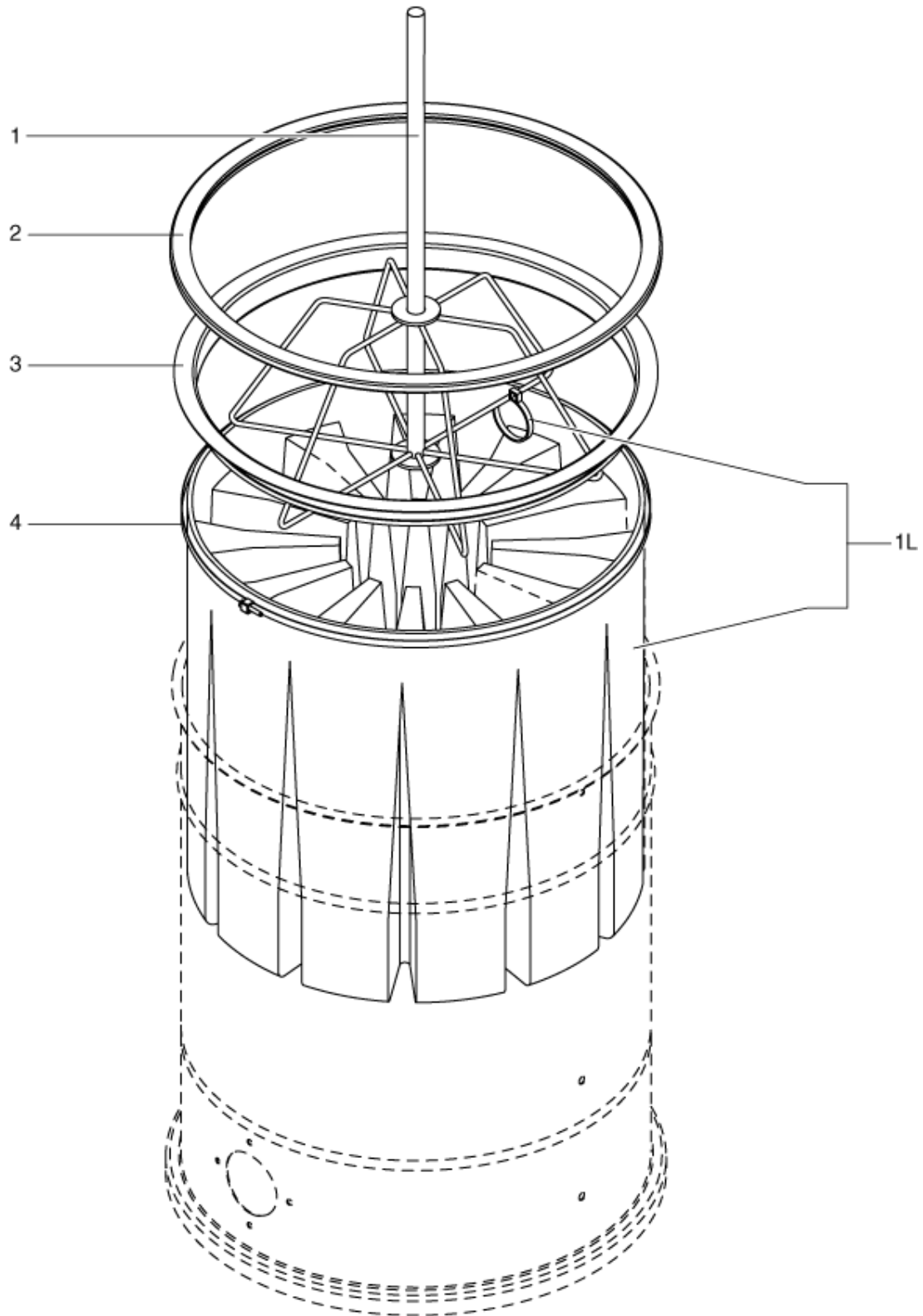
| Pos. | Artikel-Nr. | Menge | Variante | Notes |
|------|-------------|-------|--------------------|-------|
| 01C | 40000855 | 1 | Griffkit | |
| 02C | 40000864 | 1 | Verkleidung | |
| 04C | 40000870 | 1 | Schutzkappen - Kit | |



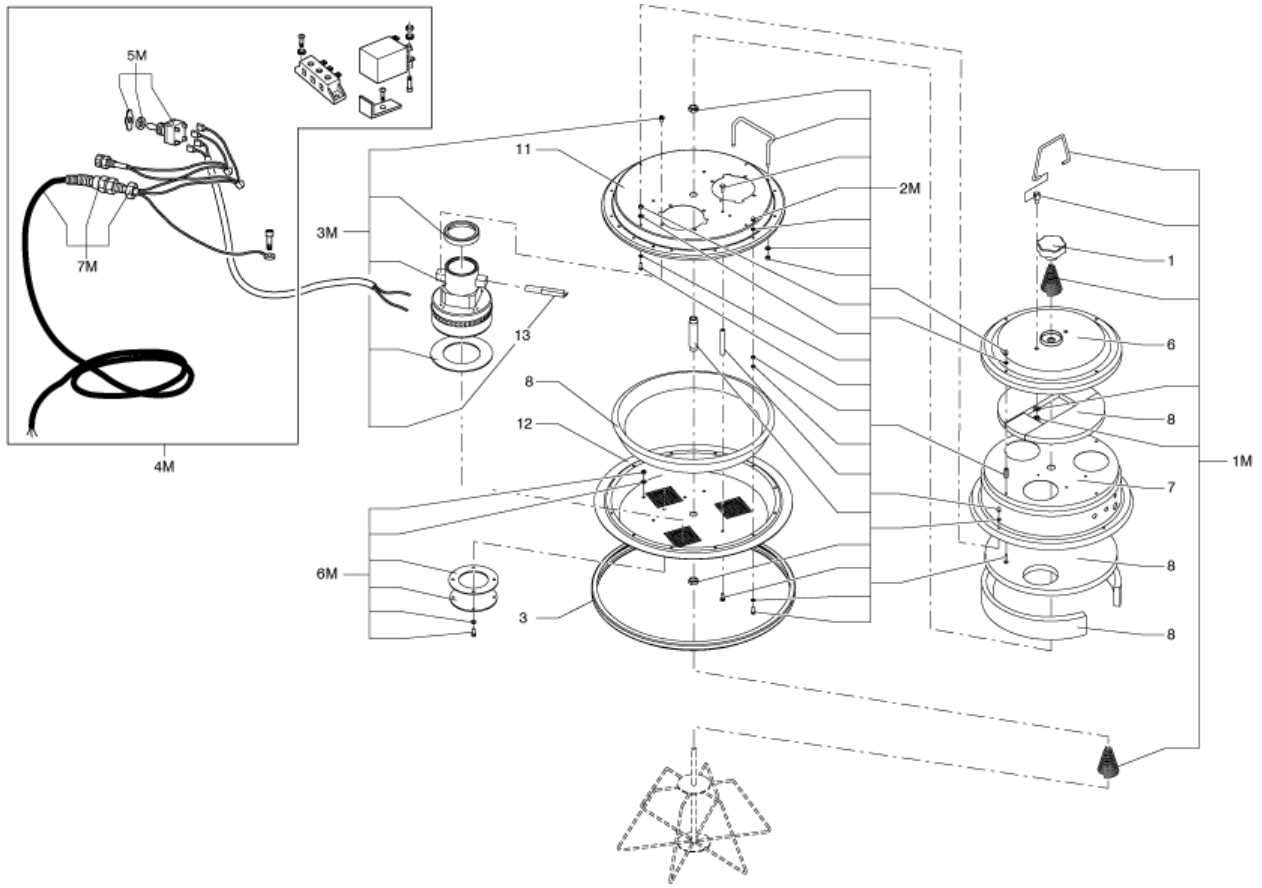
| Pos. | Artikel-Nr. | Menge | Variante | Notes |
|------|-------------|-------|---|-------|
| 01 | Z8 17006 | 1 | Dichtungsring D70 | |
| 01F | 40000869 | 1 | Filterkit | |
| 02 | 40000762 | 1 | Dichtungsring | |
| 02F | 40000868 | 1 | Anschluss D70 | |
| 03 | 4083000493 | 1 | Kessel D460 L50 MODEL S2-S3 | |
| 03 | 4083000552 | 1 | BIN D460 S3 L100 GRILL AND DEP | |
| 03 | 4083000495 | 1 | Behälter 100 L | |
| 03F | 40000867 | 1 | D70 INLET KIT | |
| 04 | Z8 17021 | 4 | Stossfänger Halter | |
| 04F | 40000345 | 1 | KIT PUSHBUTTON FOR INLET D70 | |
| 05 | 4084001017 | 1 | Packung mit 5 Polyäthylenbeuteln | |
| 05 | 4084000956 | 1 | Ersatzbeutel - 4 x 20 m | |
| 05F | 40000395 | 1 | KIT DEFLECTOR D70 | |
| 06F | 40000419 | 1 | Rad Kit zu 100l Kübel 4 Stk. | |
| 07 | Z8 40099 | 1 | Entsorgungssäcke Polyethylen Ø360 - 460 | |
| 07F | 40000879 | 1 | Handgriff Kit | |
| 07F | 40000866 | 1 | Griff für Staubkessel | |
| 08F | 4083000497 | 1 | Behälter kpl. D460 100l | |
| 08F | 4083000555 | 1 | COMPLETE BIN D460 L100 S3 F.DEPR | |
| 08F | 4083000496 | 1 | Behälter kpl. 50ltr.S2-S3 | |
| 09F | 40000944 | 1 | STICKER KIT | |
| 10F | 4056000468 | 1 | Schwerlastklappe, Ø 460 mm, | |



| Pos. | Artikel-Nr. | Menge | Variante | Notes |
|------|-------------|-------|--|-------|
| 02H | Z5 60034 | 1 | Spänesieb mit Ablasshahn Ø460;Stahl vz | |



| Pos. | Artikel-Nr. | Menge | Variante | Notes |
|------|-------------|-------|--------------------------------|-------|
| 01 | Z8 33093 | 1 | Filterrüttler für SOL3000 | |
| 01 | Z8 33093 1 | 1 | STAR CAGE D460 FILTER BIG SIZE | |
| 01L | 40000338 | 1 | Sternfilter Ø460mm Polyester | |
| 01L | 40000699 | 1 | Sternfilter Kit Kl. M | |
| 02 | Z8 17026 | 1 | Dichtung ¥ 460 | |
| 02 | Z8 17126 | 1 | Filterringdichtung aus | |
| 03 | Z8 15003 | 1 | Ring ¥460 | |
| 03 | Z8 15010 | 1 | Filterring D460 V2A | |
| 04 | Z8 18079 | 1 | Filter Halter ¥ 460 | |



| Pos. | Artikel-Nr. | Menge | Variante | Notes |
|------|-------------|-------|---------------------------------------|-------|
| 01 | Z8 40027 | 1 | Sterngriff ohne Loch | |
| 01M | 40000473 | 1 | Schüttelvorrichtung - Kit | |
| 02M | 40000936 | 1 | KIT HEADER ASSEMBLING | |
| 03 | Z8 36191 | 1 | Spannring | |
| 03M | 40000937 | 1 | Motor Kit V230 | |
| 03M | 40000938 | 1 | MOTOR KIT V110 UK | |
| 04M | 40000942 | 1 | Kabelanschluß f. 2. Motor | |
| 04M | 40000941 | 1 | Anschlußkabelkit | |
| 04M | 40000939 | 1 | ELECTRICAL KIT V110 UK 3 MOTORS | |
| 04M | 40000940 | 1 | ELECTRICAL KIT V110 UK 2 MOTORS | |
| 05M | 40000516 | 1 | Schalter Kit | |
| 06 | 4083500258 | 1 | COVER 460 SC.M.S2/S3B R7016 | |
| 06M | 40000901 | 1 | S2 MOTOR CLOSING KIT | |
| 07 | Z8 16067 | 1 | Motorabdeckung | |
| 07 | Z8 16066 | 1 | MOTOR COVER D460 2F | |
| 07M | 40000910 | 1 | S2B CABLE KIT V110 UK | |
| 07M | 40000909 | 1 | Kabel-Kit 230V EU | |
| 07M | 40000923 | 1 | S3B CABLE KIT V110 UK | |
| 08 | Z8 17229 | 1 | Lärmschutz D460 | |
| 11 | 4081600598 | 1 | FIX MOTOR FOR COVER D460 3F RAL7016 | |
| 11 | 4081600597 | 1 | FIX MOTOR FOR COVER D460 2F SC R7016 | |
| 12 | 4081600599 | 1 | MOTOR COVER D460 3F M.S2/S3B RAL 7016 | |
| 13 | 40000885 | 1 | MOTOR BRUSH KIT V230 | |
| 13 | 40000886 | 1 | MOTOR BRUSH KIT V120 | |

| Pos. | Artikel-Nr. | Menge | Variante | Notes |
|------|-------------|-------|------------------------------|-------|
| | 40000864 | 1 | Verkleidung | |
| | 40000867 | 1 | D70 INLET KIT | |
| | 40000871 | 1 | UPRIGHT KIT | |
| | 40000886 | 1 | MOTOR BRUSH KIT V120 | |
| | 40000338 | 1 | Sternfilter Ø460mm Polyester | |
| | 40000873 | 1 | Rad D200 Kit | |
| | Z8 33093 | 1 | Filterrüttler für SOL3000 | |
| | 40000869 | 1 | Filterkit | |
| | 40000879 | 1 | Handgriff Kit | |
| | 40000938 | 1 | MOTOR KIT V110 UK | |
| | 40000395 | 1 | KIT DEFLECTOR D70 | |
| | 40000345 | 1 | KIT PUSHBUTTON FOR INLET D70 | |
| | 40000923 | 1 | S3B CABLE KIT V110 UK | |
| | 40000870 | 1 | Schutzkappen - Kit | |
| | 4083000497 | 1 | Behälter kpl. D460 100l | |
| | 4083000496 | 1 | Behälter kpl. 50ltr.S2-S3 | |
| | 40000868 | 1 | Anschluss D70 | |
| | 40000874 | 1 | KIT REVOLV. CASTOR D150 | |
| | 40000872 | 1 | Befestigungskit | |
| | 40000910 | 1 | S2B CABLE KIT V110 UK | |
| | 40000885 | 1 | MOTOR BRUSH KIT V230 | |
| | 40000866 | 1 | Griff für Staubkessel | |
| | 40000419 | 1 | Rad Kit zu 100l Kübel 4 Stk. | |
| | 40000909 | 1 | Kabel-Kit 230V EU | |
| | 40000937 | 1 | Motor Kit V230 | |

