

PARTS LIST

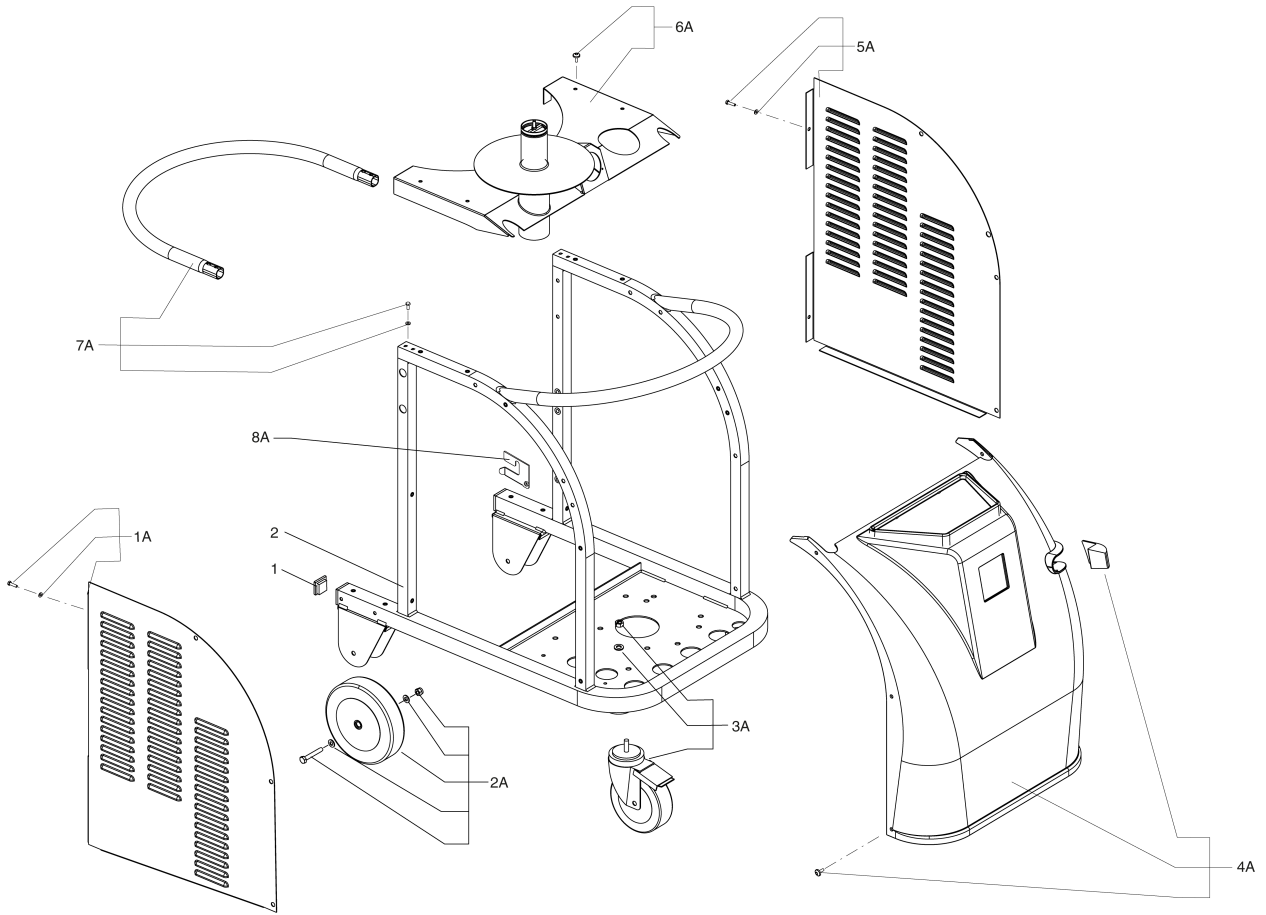
2022.09.07

www.nilfisk-cfm.com

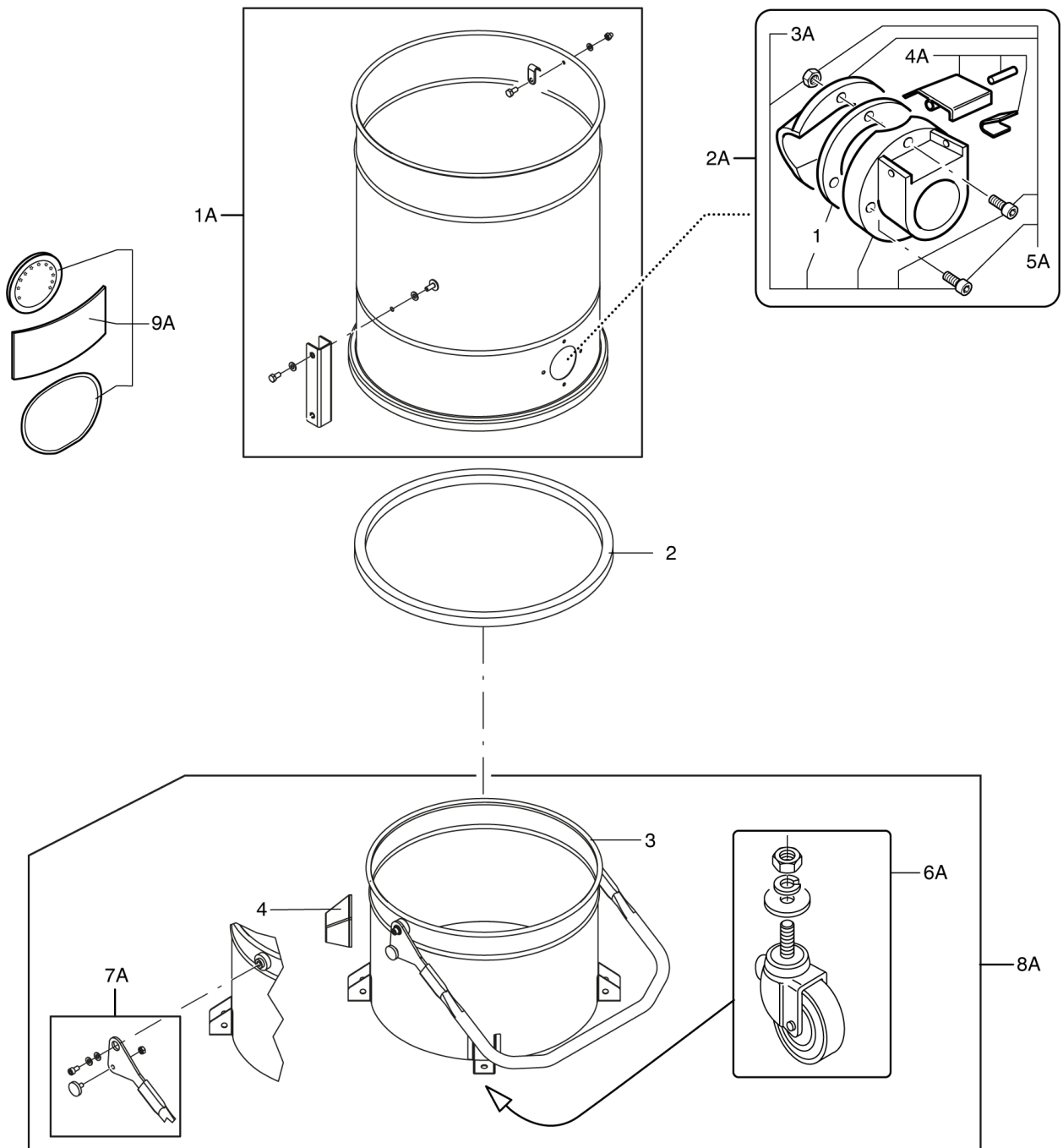


TABLE OF CONTENTS

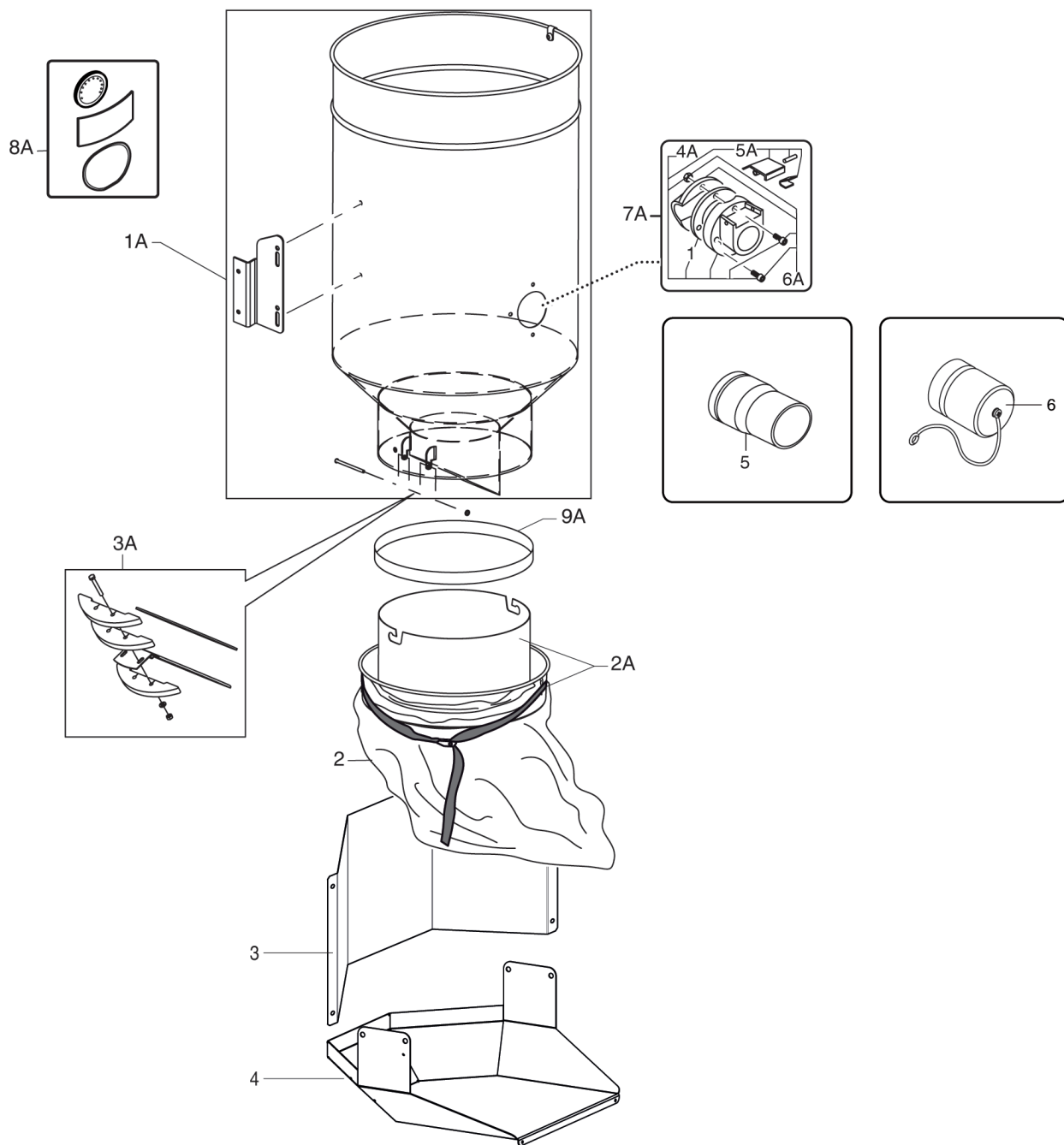
L128 - 1 - CAR	1
L128 - 3 - CONTAINER UNIT	3
L128 - 4 - CONTAINER UNIT	5
L128 - 5 - FILTER GROUP	7
L128 - 6 - SHAKER UNIT	9
L128 - 7 - CARTRIDGE FILTER	11
L128 - 8 - SUCTION UNIT	13
L128 - 12 - ELECTRIC SYSTEM	15
L128 - 9 - CYCLON KIT	17
L128 - 2 - CAR	19
L128 - 10 - GRID GROUP	21
L128 - 11 - CAPACITIVE GROUP	23
L128 - 13 - C ELECTRIC SYSTEM	25



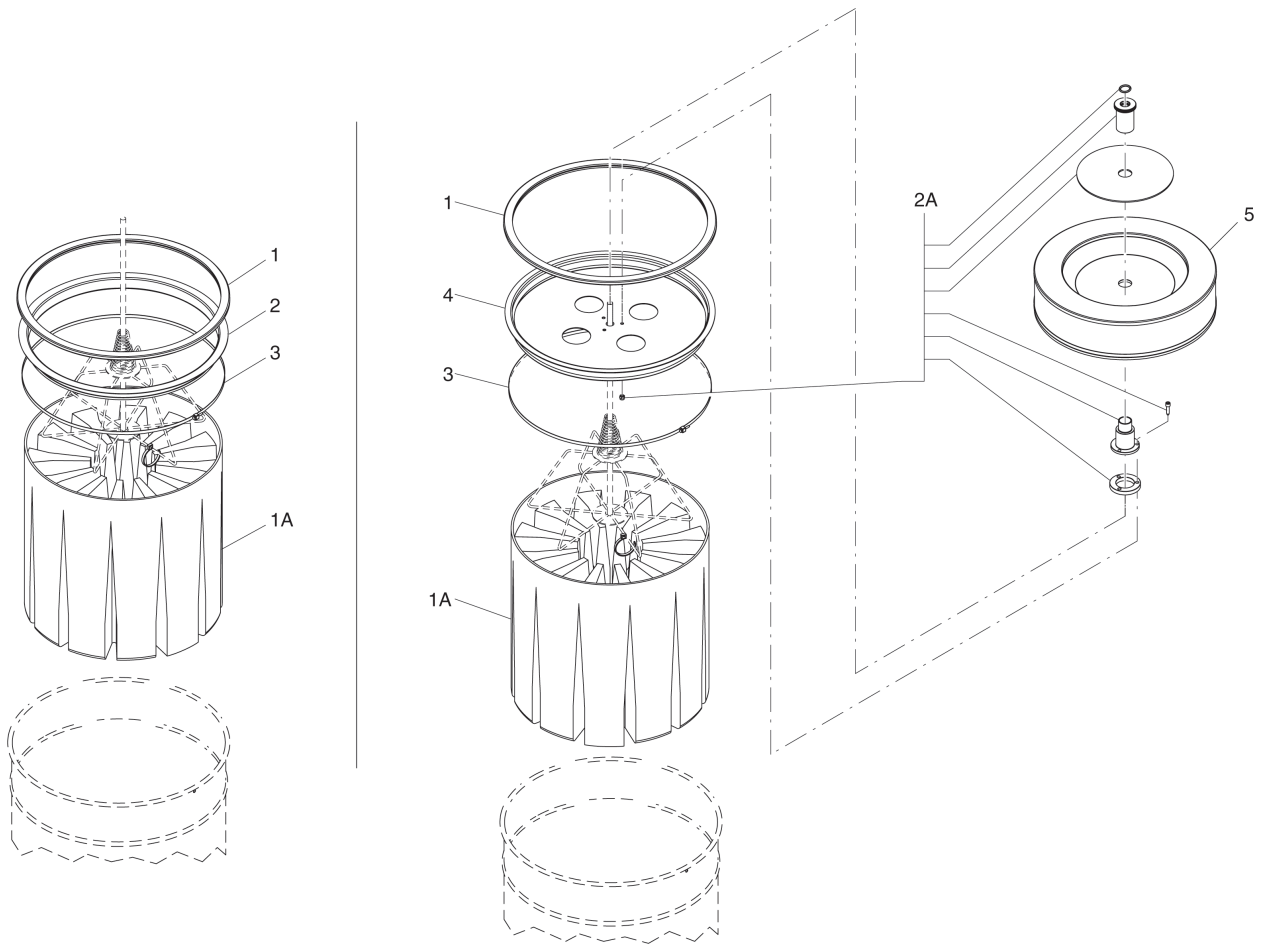
Pos.	Artikel-Nr.	Menge	Variante	Notes
1	Z8 40035	2	Endstück PVC D 40 x 40 m	
2	4083601027	1	TROLLEY MOD.CTS	
1A	4089101093	1	LEFT PANEL KIT MOD. CTS 2021	
2A	40000873	1	Rad D200 Kit	
3A	40000874	1	KIT REVOLV. CASTOR D150	
4A	4089101095	1	COVER KIT MOD. CTS 2021	
5A	4089101094	1	RIGHT PANEL KIT MOD. CTS 2021	
6A	4089101096	1	UPPER COVER KIT MOD. CTS	
7A	4089101105	1	HANDLE KIT MOS. CTS	
8A	4089101106	1	SUPPORT FOR CONTAINER KIT MOD.CTS	



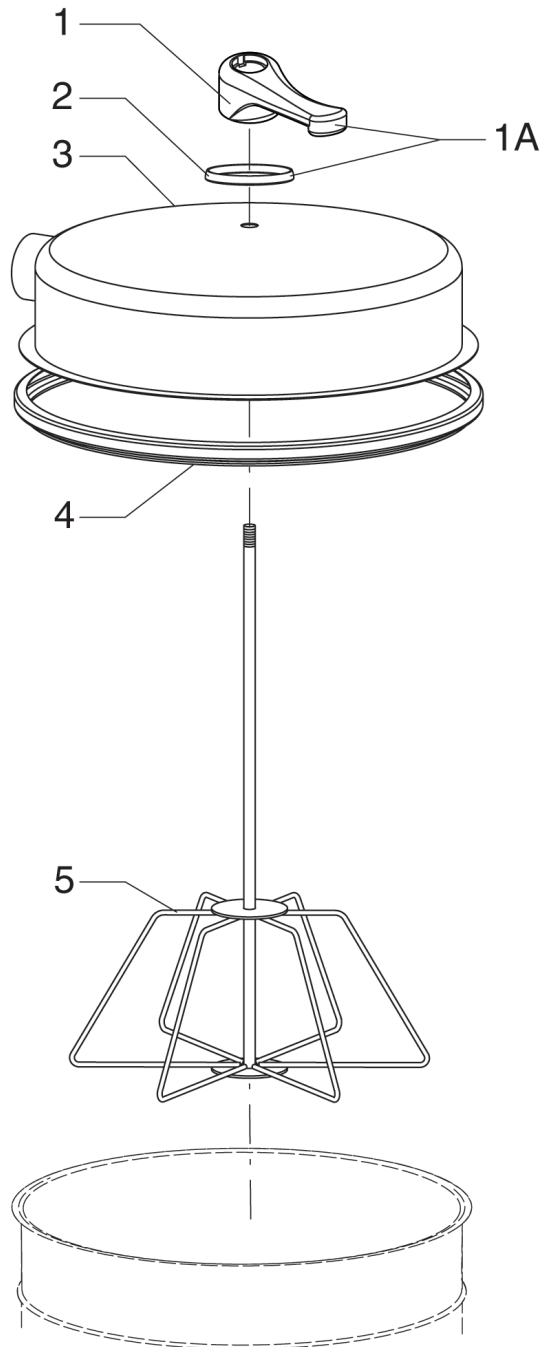
Pos.	Artikel-Nr.	Menge	Variante	Notes
1	Z8 17006	1	Dichtungsring D70	
2	4081701540	1	SEAL 20 X 15 T140 CR MT1.5	
3	4083000493	1	Kessel D460 L50 MODEL S2-S3	
3	4083000495	1	Behälter 100 L	
4	Z8 17021	4	Stoßfänger Halter	
1A	4089101097	1	COMPLETE FILTER CHAMBER KIT L50 MOD. CTS	
1A	4089101098	1	COMP.FILTER CHAMBER KIT SS L50 MOD.CTS	
1A	4089101099	1	COMPLETE FILTER CHAMBER KIT L100 MOD.CTS	
2A	40000868	1	Anschluss D70	
2A	40000418	1	Kesselanschluß D70, kpl.	
3A	40000867	1	D70 INLET KIT	
3A	40000344	1	KIT INLET INOX D70	
4A	40000345	1	KIT PUSHBUTTON FOR INLET D70	
5A	40000395	1	KIT DEFLECTOR D70	
5A	40000416	1	KIT DEFLECTOR D70 INOX MOD.A17	
6A	40000419	1	Rad Kit zu 100l Kübel 4 Stk.	
6A	40000484	1	Rad, Edelstahl	
7A	40000879	1	Handgriff Kit	
7A	40000866	1	Griff für Staubkessel 50lt	
8A	4083000496	1	Behälter kpl. 50ltr.S2-S3	
8A	4083000507	1	Schmutzbehälter 50L	
8A	4083000497	1	Behälter kpl. D460 100l	
8A	4083000510	1	COMPLETE BIN D460 L100 SS	
9A	4089101100	1	STICKERS KIT MOD. CTS LC	



Pos.	Artikel-Nr.	Menge	Variante	Notes
1	Z8 17006	1	Dichtungsring D70	
2	4084000956	1	Ersatzbeutel - 4 x 20 m	
3	4081601326	1	SHEET PROTECTION HEAT MOD.CTS	
4	4081801564	1	TRAY LONGOPACK MOD.CTS	
5	Z7 22001	1	Reduzierstück Ø 70-50 vz.	
6	Z7 21070	1	Stecker X Einlass D70 FEkomplett	
1A	4089101103	1	COMPLETE HOPPER KIT MOD.CTS	
2A	4089100436	1	BAG HOLDER KIT	
3A	4089100437	1	CLAPET CLOSING KIT	
4A	40000867	1	D70 INLET KIT	
5A	40000345	1	KIT PUSHBUTTON FOR INLET D70	
6A	40000395	1	KIT DEFLECTOR D70	
7A	40000868	1	Anschluss D70	
8A	4089101101	1	STICKERS KIT MOD. CTS MC	
8A	4089101102	1	STICKERS KIT MOD. CTS HC	
9A	4089100872	1	KIT ADHESIVE SEAL 25X3	



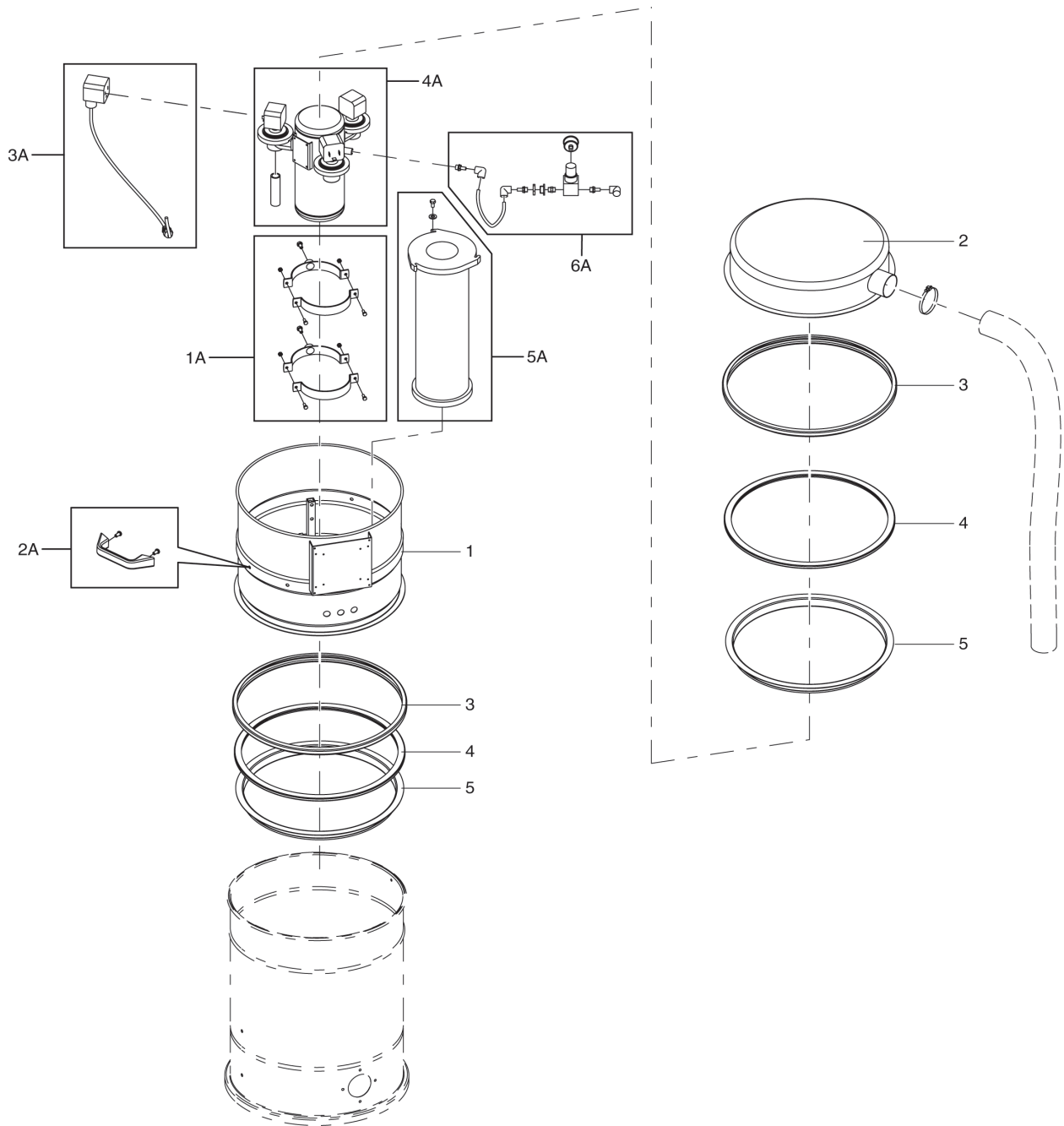
Pos.	Artikel-Nr.	Menge	Variante	Notes
1	Z8 17026	1	Dichtung ¥ 460	
1	Z8 17126	1	Filterringdichtung aus	
2	Z8 15003	1	Ring ¥460	
2	Z8 15010	1	Filterring D460 V2A	
3	Z8 18079	1	Filter Halter ¥ 460	
4	4081500200	1	ABSOLUTE FILTER DISC 3306 FE	
5	4081700935	1	Absolutfilter AU 415 x 100	
1A	40000338	1	Sternfilter Ø460mm Polyester, L-Klasse	
1A	4081701574	1	STAR FILTER D460 CAT.M SEALED	
2A	4056000523F	1	KIT FILTRO ASSOL.ASPIR.MOD.T22 -T40-T40W	



Pos.	Artikel-Nr.	Menge	Variante	Notes
1	4081400910	1		
2	4081601280	1	SUPPORTO PER MANIGLIA SCUOTIFILTRO	
3	4083101749	1	CAPPELLO D460 T30S-MINUS	
4	Z8 36191	1	Spanning	
4	Z8 36355	1	BAND LOCK D460 INOX 3308 COMP. W.BRACKET	[1]
5	4083300476	1	ROTATIONAL FILTER SHAKER CAGE T30S-MINUS	
1A	4089101068	1	ROTATORY FILTER SHAKER LEVER KIT T30S	

Part Notes:

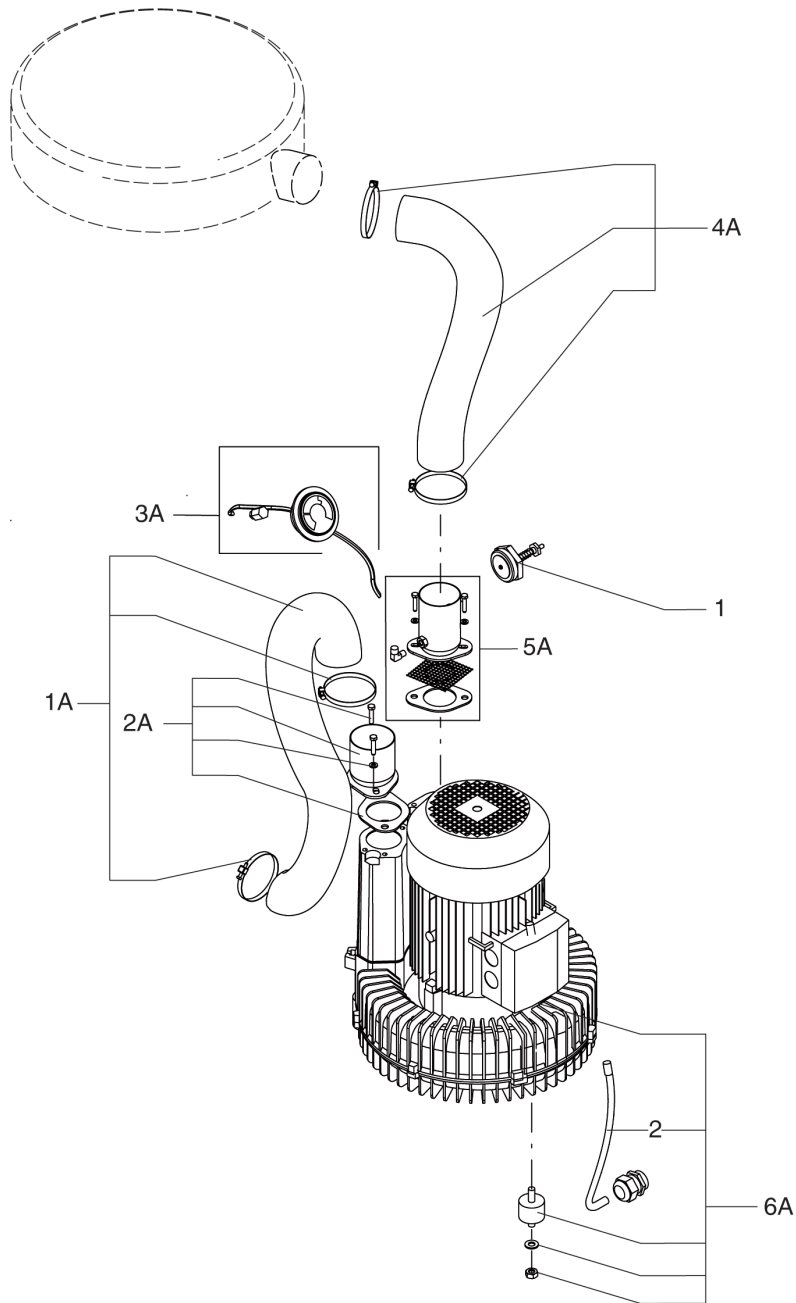
[1] - CONTACT PM IN ZOCCA



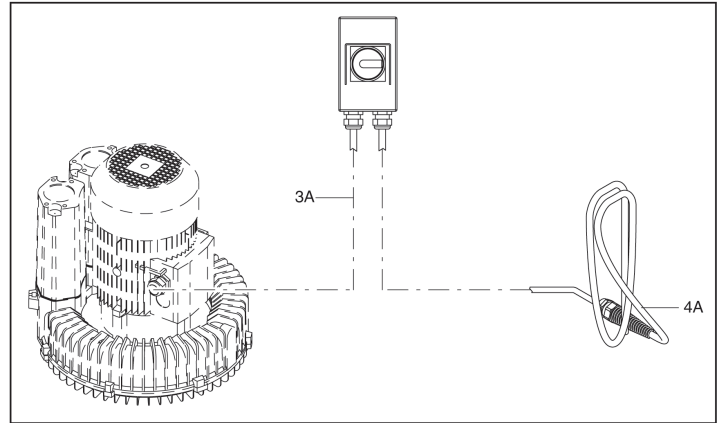
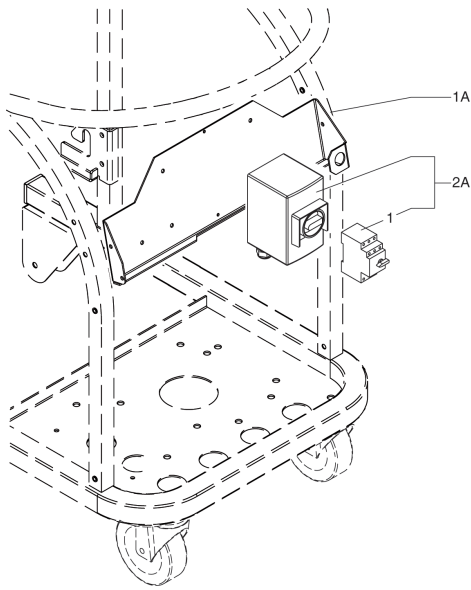
Pos.	Artikel-Nr.	Menge	Variante	Notes
1	4083100991	1	D460 CONTAINER CARTRIDGE MODEL CTS-CTT	
2	4083101090	1	CAP. D460 MOD T40WP	
3	Z8 36191	2	Spannring	
4	Z8 17026	2	Dichtung ¥ 460	
5	Z8 15003	2	Ring ¥460	
1A	4089100116	1	D140 COLLAR TANK KIT	[1]
2A	40000423	1	Griffkit	
3A	4089100117	1	CABLE KIT WITH CONNECTOR FOR TANK	[1]
4A	4089100119	1	AIR TANK KIT	[1]
5A	4089100114	3	Patronen-Kit	
6A	4089100121	1	AIR FITTING KIT	

Part Notes:

[1] - CONTACT PM IN ZOCCA



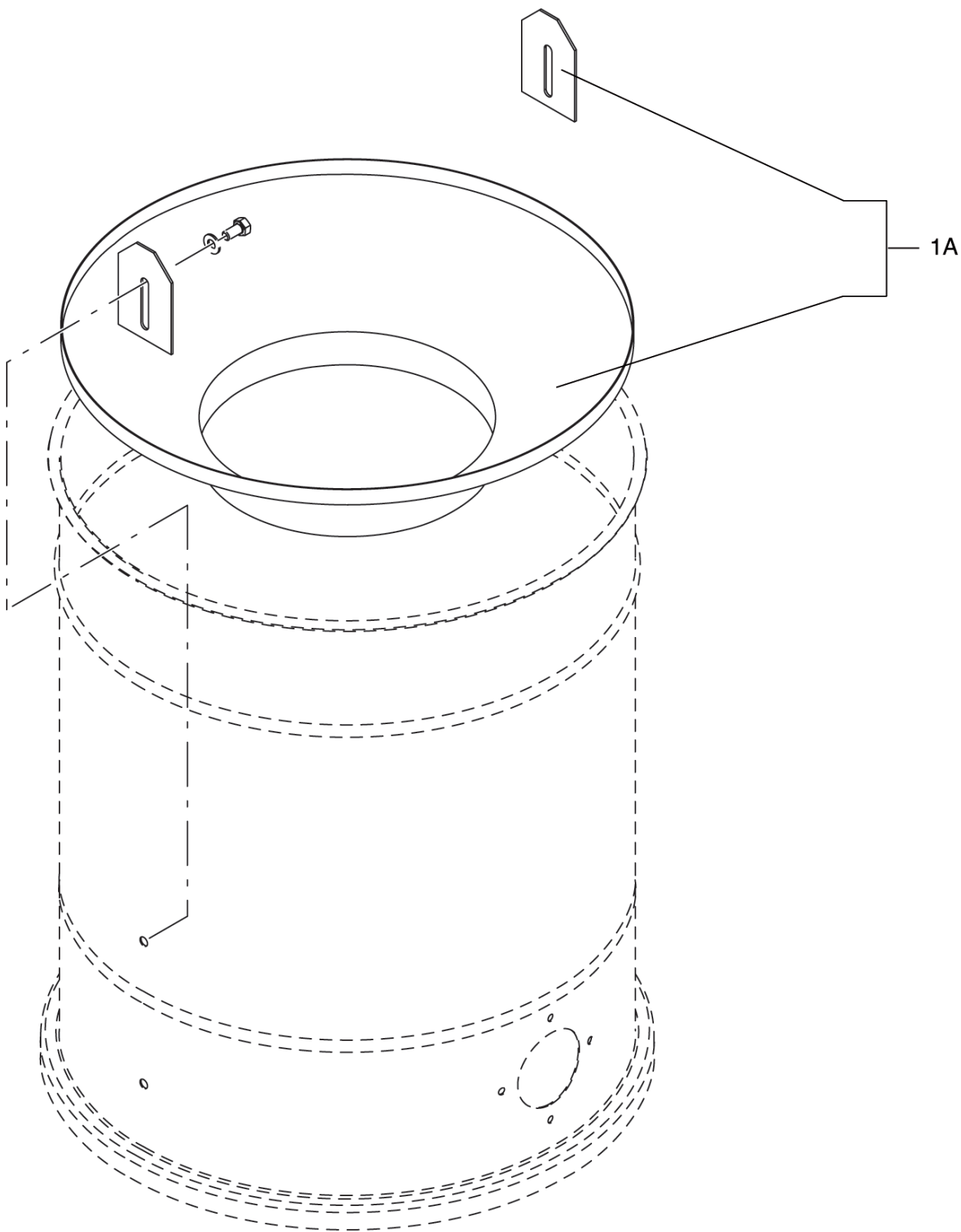
Pos.	Artikel-Nr.	Menge	Variante	Notes
1	Z8 34024	1	Nachsaugventil 1 1/2	
2	Z8 391079	1	Kabel	
1A	40000571	1	Abblasröhrchen Kit	
2A	40000556	1	Flansch D70	
3A	40000555	1	Manometer	
3A	40000309	1	Vakuum-Ausgleichsleitung	
4A	40000716	1	Absaugschlauchkit	
5A	40000724	1	Sauganschlußkit D70	
6A	40000728	1	Absaugeinheit	
6A	40000722	1	SUCT.UNIT KIT KW4 230/400-60 CTS40/VHW44	



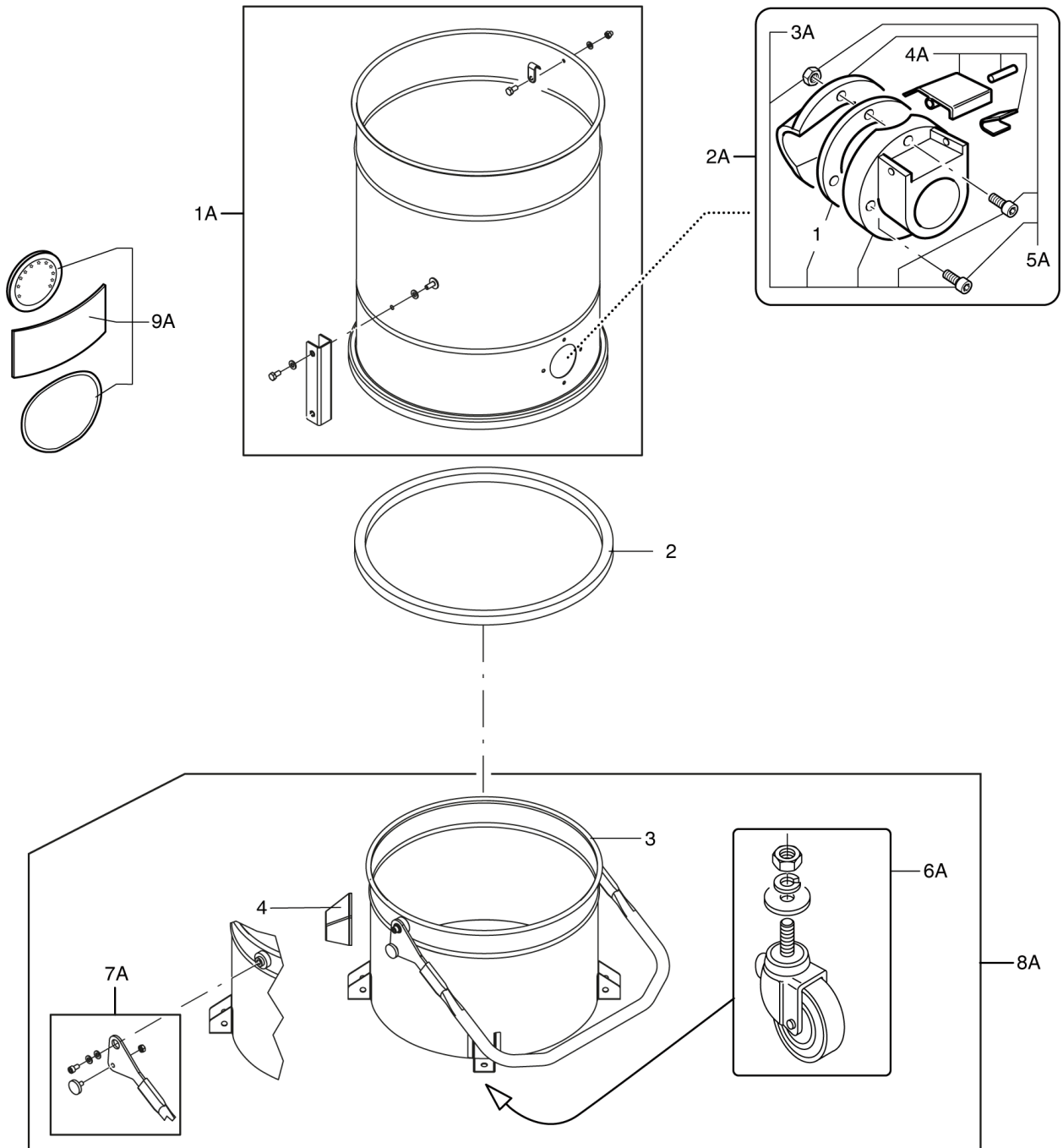
Pos.	Artikel-Nr.	Menge	Variante	Notes
1	4083901538	1	CIRCUIT BREAKER 5.5-8 A SIR.IN.S00	
1	4083901540	1	CIRCUIT BREAKER 9-12.5 A SIR.IN.S00	
1A	40000719	1	I.E. SUPPORT KIT	
2A	4089100125	1	ELECTRIC INSTAL KIT	
2A	4089100187	1	ELECTRIC INSTAL KIT	
3A	40000876	1	Motorkabel	
4A	40000861	1	POWER CORD KIT V400 HZ50	[1]
4A	4089101104	1	SUPPLY CABLE 5PP KIT MOD. CTS	

Part Notes:

[1] - CONTACT PM IN ZOCCA



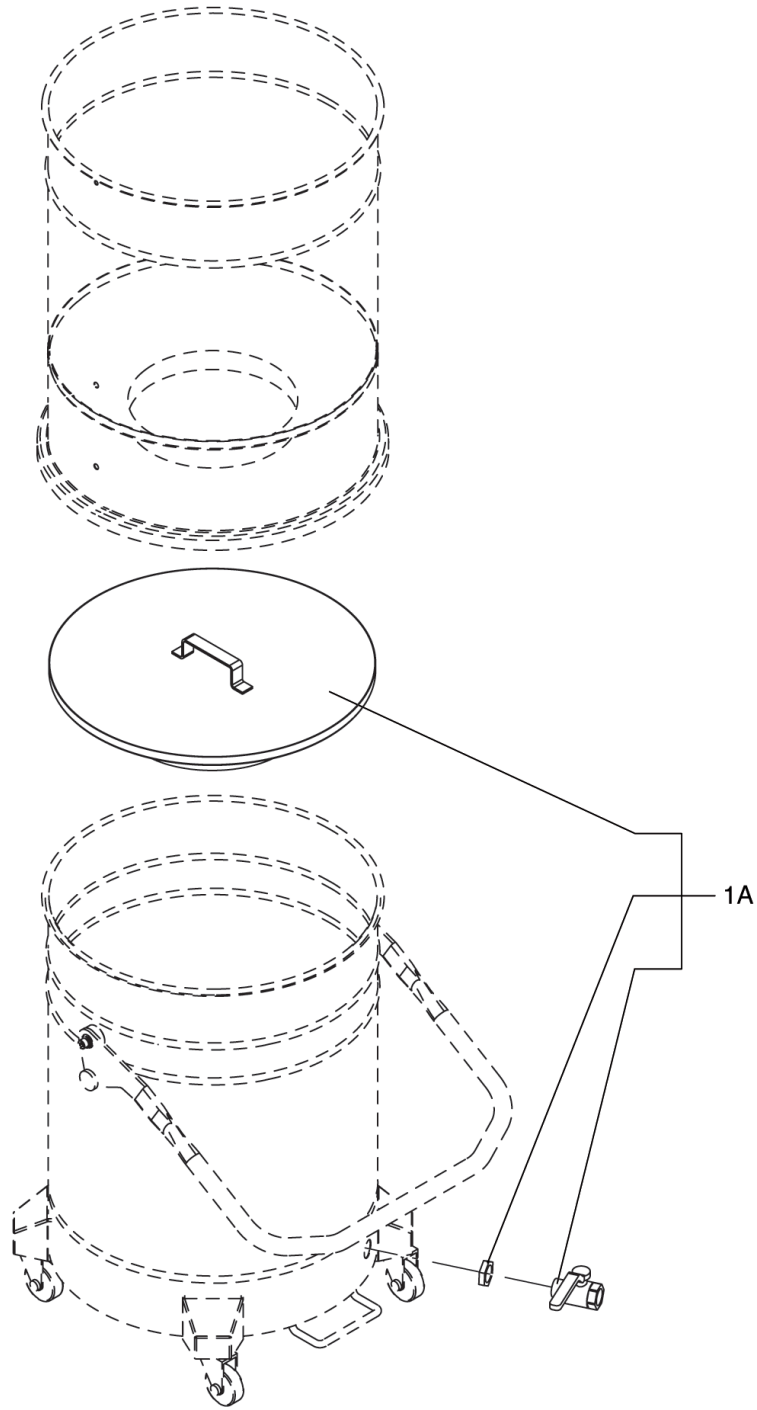
Pos.	Artikel-Nr.	Menge	Variante	Notes
1	Z5 60116	1	Zyklon und Halteklammern Ø460; VA	



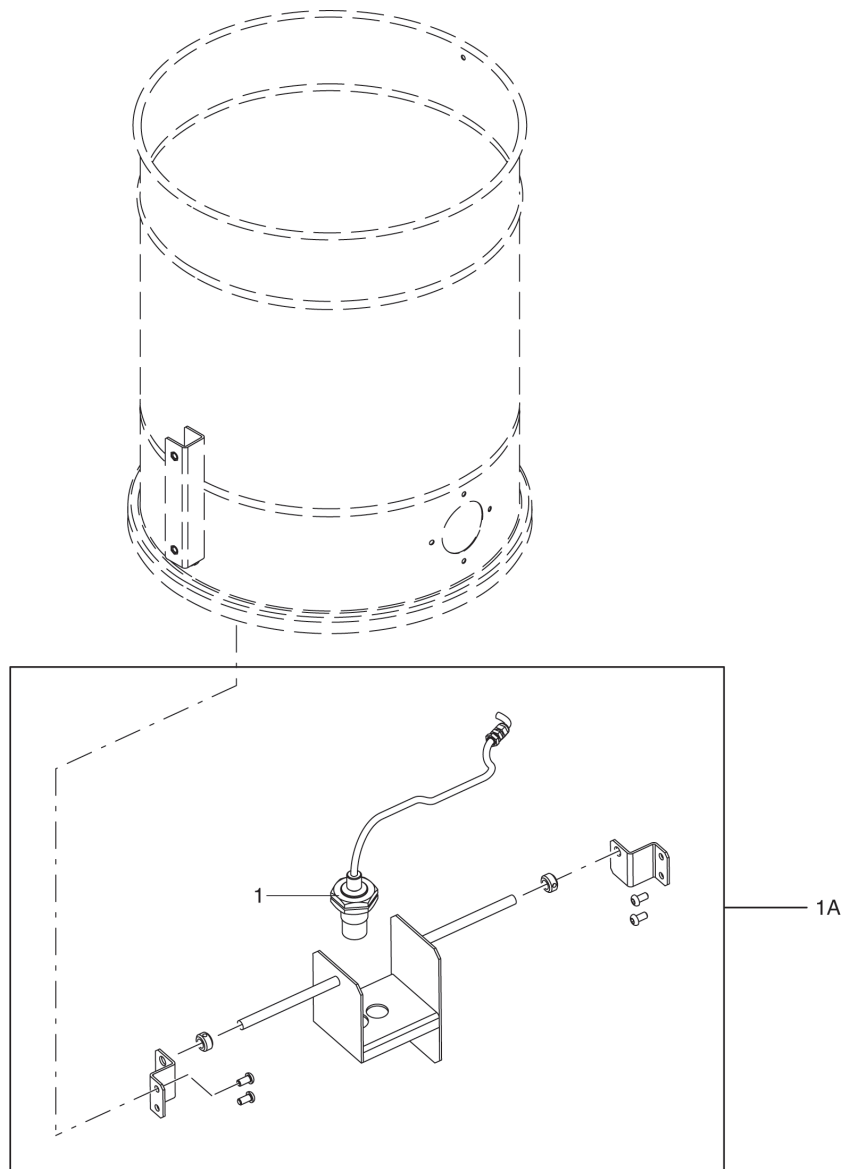
Pos.	Artikel-Nr.	Menge	Variante	Notes
1	4084001146	1	Sterngriff ohne Loch	
2	4083001039	1	DIFFUSER CONTAINER D250X142 R7001	
3	4081400780	1	FIXING HUB M/F M10/M6FE DIFFUSER CONTVHW	
4	4081701076	1	ABSOLUTE FILTER D220 x 150 H14 VHW	
5	4081701082	1	SOUND-PROOF DIFFUSER VHW420	
6	4081601327	1	SOUNDPROOF FIXING PLATE MOD.CTS	
1A	4056000603	1	KIT CLAPET DOWNSTREAM D50 VHW	[1]
2A	4083001040	1		

Part Notes:

[1] - CONTACT PM IN ZOCCA



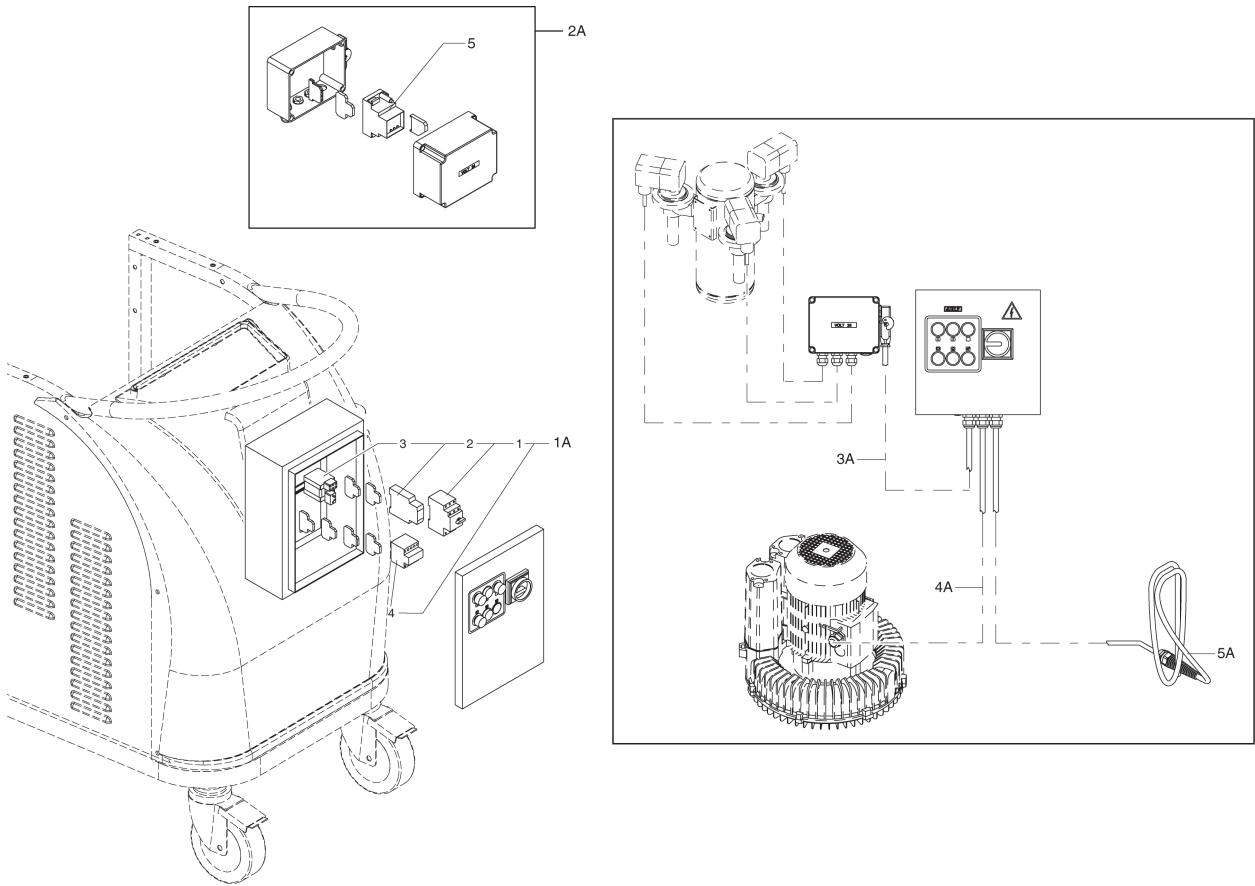
Pos.	Artikel-Nr.	Menge	Variante	Notes
1A	Z5 60036	1	Spänesieb mit Ablasshahn Ø460; VA	



Pos.	Artikel-Nr.	Menge	Variante	Notes
1	Z58 391278	1	CAPACITIVE SENSOR M32 PA NO-NC	[1]
1A	4089100124	1	CAPACITIVE SOLIDE SENSOR KIT	

Part Notes:

[1] - CONTACT PM ZOCCA



Pos.	Artikel-Nr.	Menge	Variante	Notes
1	4083901538	1	CIRCUIT BREAKER 5.5-8 A SIR.IN.S00	
1	4083901540	1	CIRCUIT BREAKER 9-12.5 A SIR.IN.S00	
2	Z8 391120	1	Phasenfolgerelais	
3	Z8 391050	1	Transformer zu IV 040	
4	4083901550	1	CONTACTOR KW4 24VAC 1NO SIR.IN.S00	
5	Z8 391107	1	Timer 24VAC 4 Out	
1A	Z8 41591	1	EB i.E.PS IP55 Mod. 3508	
2A	Z8 41039	1	Steuerung für	
3A	4089100128	1	POWER CABLE KIT FOR PULSE JET SYSTEM	[1]
4A	40000876	1	Motorkabel	
5A	40000861	1	POWER CORD KIT V400 HZ50	[1]
5A	4089101104	1	SUPPLY CABLE 5PP KIT MOD. CTS	

Part Notes:

[1] - CONTACT PM IN ZOCCA

