



☎@07351-5758060

kontakt@nilfisk-alto-shop.com



**Preisabfrage bzw. Bestellungen der Artikel im Shop unter**

**[www.nilfisk-alto-shop.com](http://www.nilfisk-alto-shop.com)**

**einfach die Artikelnummer in die Suchmaske eingeben**

**(Bitte die Artikelnummer ohne Leerzeichen eingeben)**

# PARTS LIST

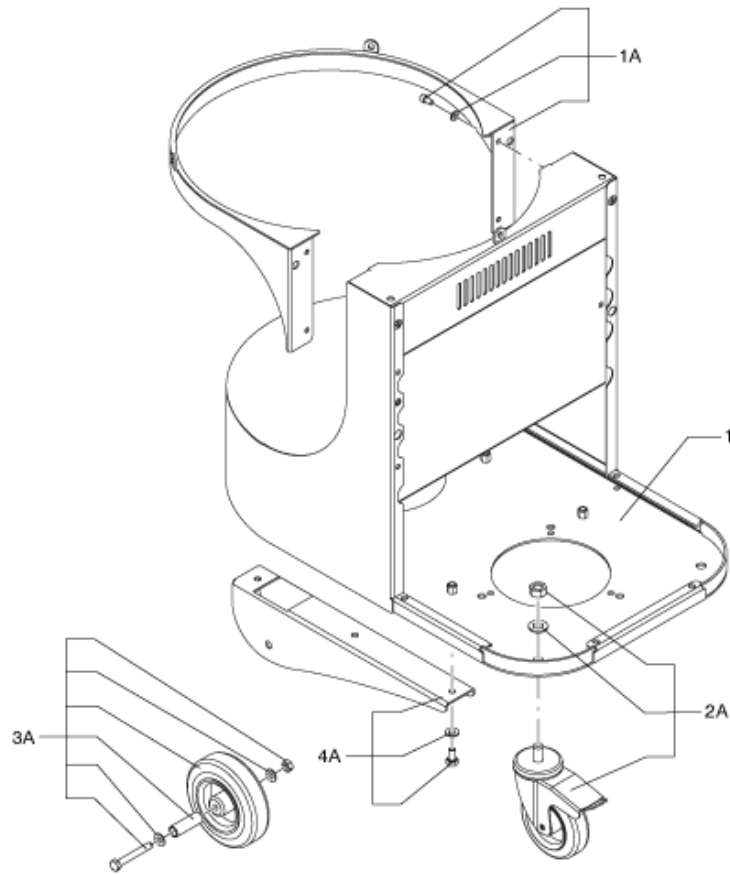


2021.12.06

# TABLE OF CONTENTS

---

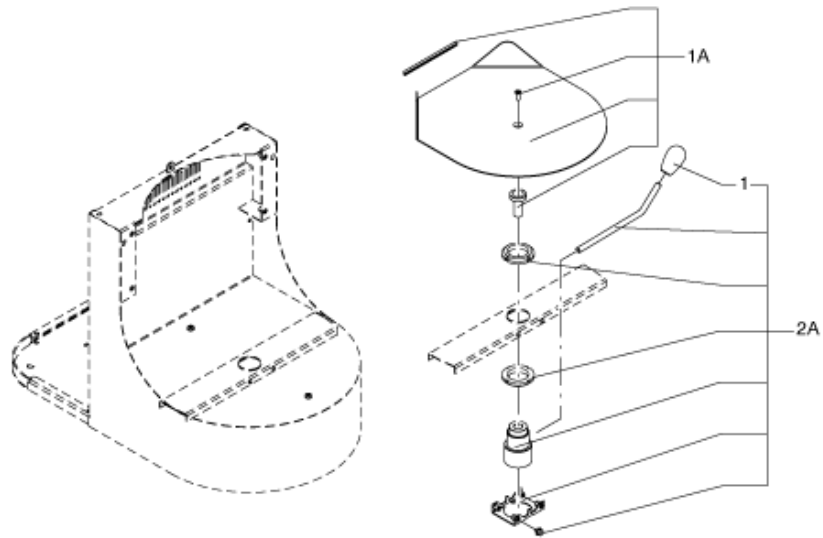
L190 - 1 - CAR .....	1
L190 - 2 - CAR .....	3
L190 - 3 - CAR .....	5
L190 - 4 - CONTAINER UNIT .....	7
L190 - 5 - CONTAINER UNIT .....	9
L190 - 6 - FILTER GROUP .....	11
L190 - 7 - BACKWASH GROUP .....	13
L190 - 8 - FILTER GROUP .....	15
L190 - 9 - SHAKER UNIT .....	17
L190 - 10 - SUCTION UNIT .....	19
L190 - 11 - ELECTRIC SYSTEM .....	21
L190 - 12 - L/M/H & ATEX LABEL .....	23
OPTIONALS .....	25



Pos.	Artikel-Nr.	Menge	Variante	Notes
01	4083600729	1	MODULAR BASE HORIZONTAL R9003 MOD.VHW	
01	4083600737	1	MODULAR BASE HORIZONTAL SS MOD.VHW	[1]
01A	4089100353	1	BAND FOR THE FILTER CHAMBER KIT	
01A	4089100394	1	SS BAND FOR FILTER CHAMBER KIT	[1]
02A	4089100419	1	REVOLV. CASTOR KIT	
03A	4089100418	1	FIX WHEEL KIT	
04A	4089100356	1	SUPPORTS KIT FOR FIXED WHEELS	
04A	4089100391	1	SS SUPPORTS KIT FOR FIXED WHEELS	

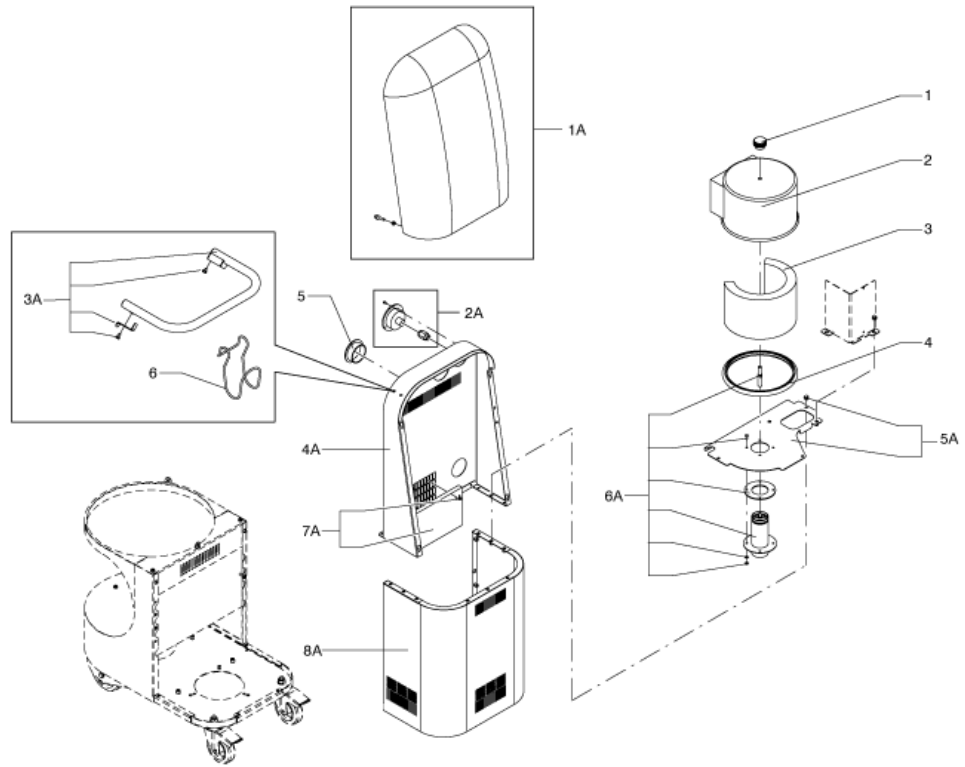
## Part Notes:

[1] - CONTACT PM IN ZOCCA



---

<b>Pos.</b>	<b>Artikel-Nr.</b>	<b>Menge</b>	<b>Variante</b>	<b>Notes</b>
01	4084001148	1	Sterngriff ohne Loch	
01A	4089100392	1	SS CONTAINER SUPPORT KIT	
01A	4089100357	1	CONTAINER SUPPORT KIT	
02A	4089100393	1	SS CONTAINER LIFTING KIT	
02A	4089100358	1	CONTAINER LIFTING KIT	

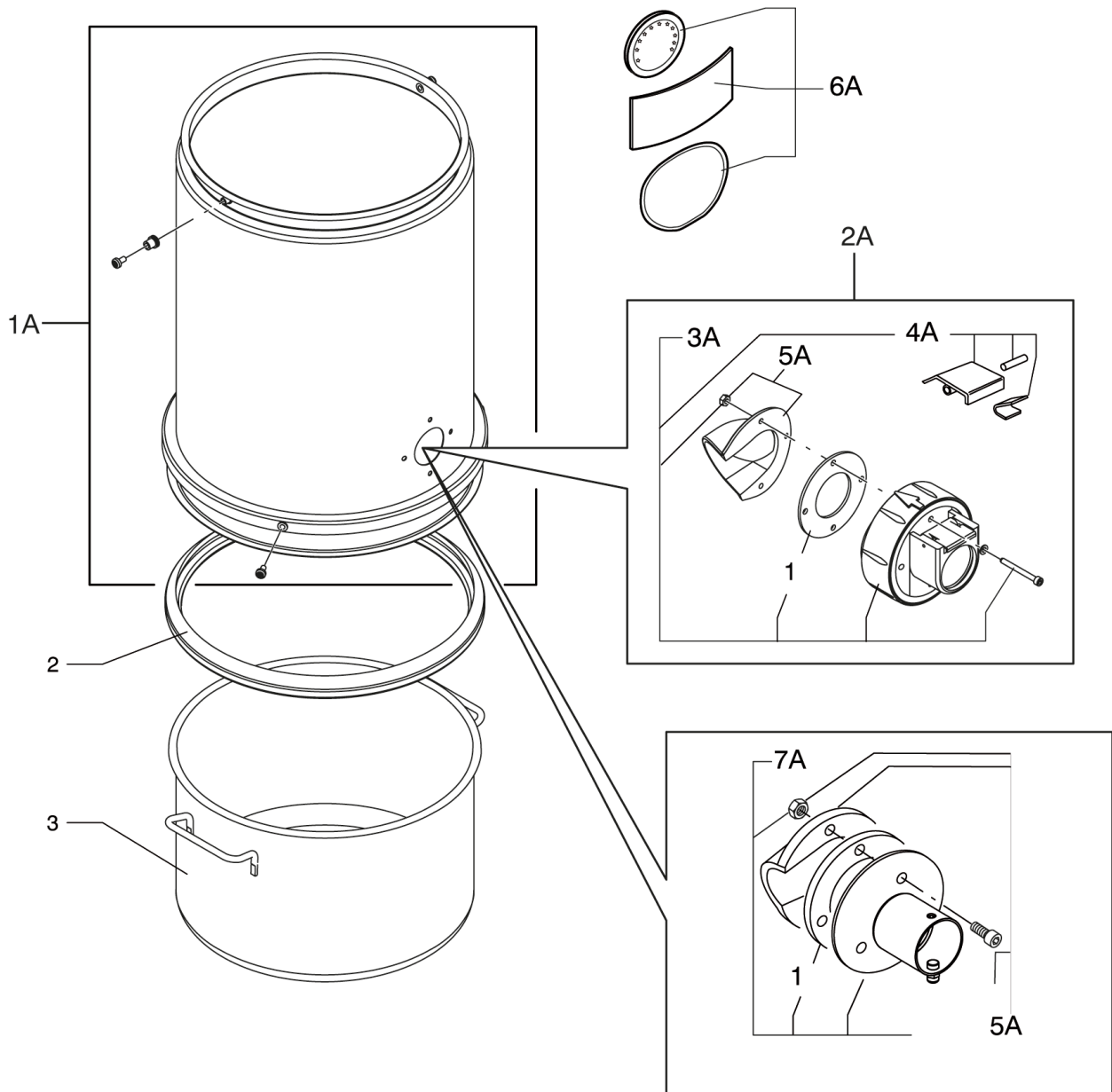




Pos.	Artikel-Nr.	Menge	Variante	Notes
01	4084001146	1	Sterngriff ohne Loch	
01A	4089100395	1	SS CARTER TOP CLOSURE KIT	
01A	4089100383	1	CARTER TOP CLOSURE KIT	
02	4083000693	1	DIFFUSER CONTAINER D220 SS M.VHW321	
02	4083000683	1	DIFFUSER CONTAINER D220 R9003 VHW321	
02A	4089100459	1	3000 VACUUM GAUGE KIT	
03	4081701062	1	Schalldämm Kit	
03	Z8 17262	1	Absolutfilter AD VHW360/3VT H14	
03A	4089100384	1	HANDLE KIT	
03A	4089100396	1	SS HANDLE KIT	[1]
04	Z58 17088	1	Dichtung Silikon zu CFM	
04A	4089100385	1	REAR HOOD KIT	
04A	4089100397	1	SS REAR HOOD KIT	
05	4084001152	1	PLASTIC PLUG D61.5xHIGHER CARTER VHW321	
05A	4089100386	1	FLAT FOR DIFFUSER KIT	[1]
05A	4089100398	1	SS FLAT FOR DIFFUSER KIT	[1]
06	82219800	1	Netzkabelhacken	
06	4081600745	1	Netzkabelhacken	
06A	4089100333	1	ABSOLUTE FILTER ASSEMBLY KIT	
06A	4089100399	1	SS ABSOLUTE FILTER ASSEMBLY KIT	[1]
07A	4089100387	1	DIFFUSER FILTER KIT	
08A	4089100400	1	SS CARTER BOTTOM CLOSURE KIT	
08A	4089100388	1	CARTER BOTTOM CLOSURE KIT	

## Part Notes:

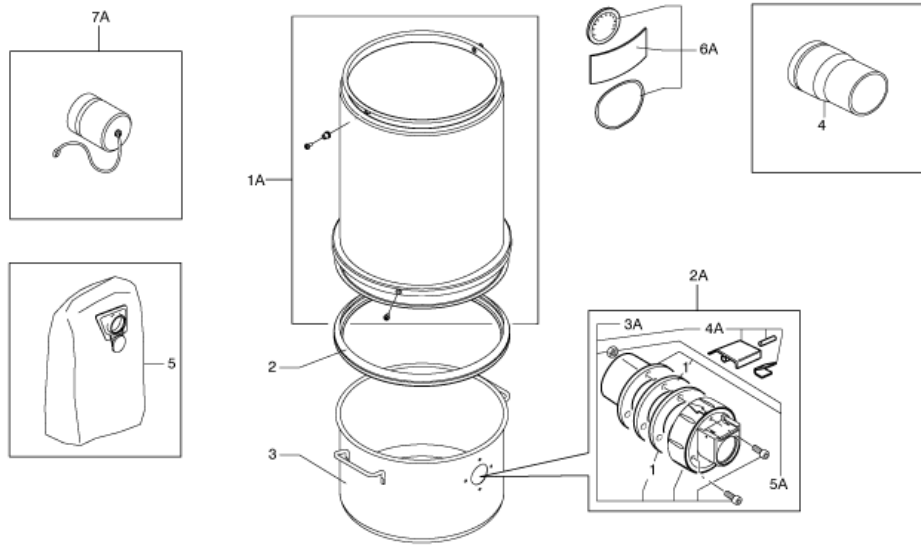
[1] - CONTACT PM IN ZOCCA



Pos.	Artikel-Nr.	Menge	Variante	Notes
1	Z8 17005	1	Anschlussdichtung D50	
2	Z8 17074	1	Dichtung ¥ 360	
2	Z8 17226	1	Silikondichtung Nilfisk 3156	
3	Z8 30324	1	Kübel D360x235 inox	
1A	4089100360	1	FILTER CHAMBER KIT	
1A	4089100370	1	SS FILTER CHAMBER KIT	[1]
2A	4089100416	1	SS INLET FULL KIT	
3A	4089100362	1	INLET KIT	
4A	40000320	1	Arretierung f. Kessel-	
5A	40000497	1	DEFLECTOR KIT D50 SS B1	[1]
6A	4089100427	1	LABEL KIT	
7A	4089100888	1	KIT PULSANTE PER BOCCHETTONE D70	

## Part Notes:

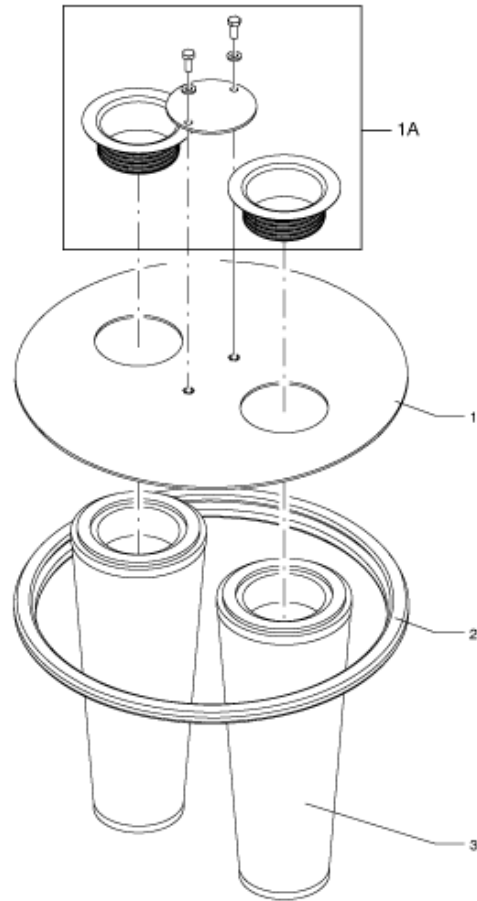
[1] - CONTACT PM IN ZOCCA



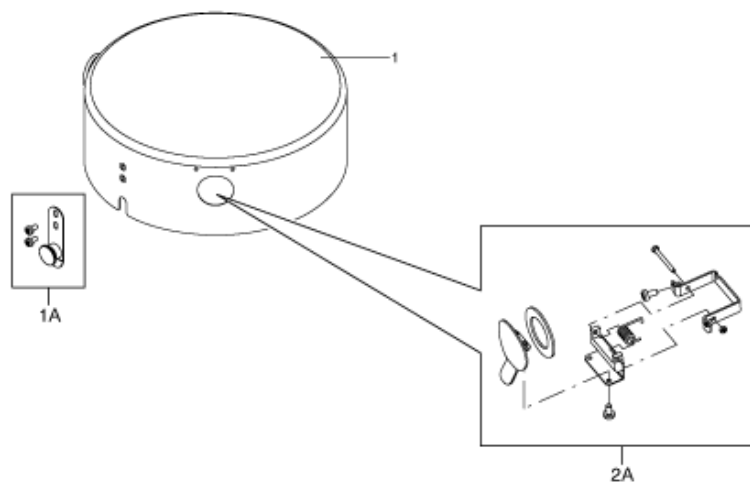
Pos.	Artikel-Nr.	Menge	Variante	Notes
01	Z8 17005	2	Anschlussdichtung D50	
01A	4089100378	1	SS FILTER CHAMBER KIT	[1]
01A	4089100373	1	FILTER CHAMBER KIT	[1]
02	Z8 17226	1	Silikondichtung Nilfisk 3156	
02	Z8 17074	1	Dichtung ¥ 360	
02A	4089100374	1	SS INLET FULL KIT	
03	Z8 30347	1	Behälter	
03A	4089100362	1	INLET KIT	
04	Z7 22223	1	Reduzierstück Ø 50-40 INOX	
04A	40000320	1	Arretierung f. Kessel-	
05	Z8 40874	1	Sicherheitsfiltersack antistat 1 360/460	[2]
05A	4089100375	1	SS DEFLECTOR KIT	
06A	4089100427	1	LABEL KIT	
07A	4089100376	1	Verschlusszapfen	

## Part Notes:

- [1] - CONTACT PM IN ZOCCA  
 [2] - 4084001467 OR 4084001468 ACCORDING TO THE DIAMET



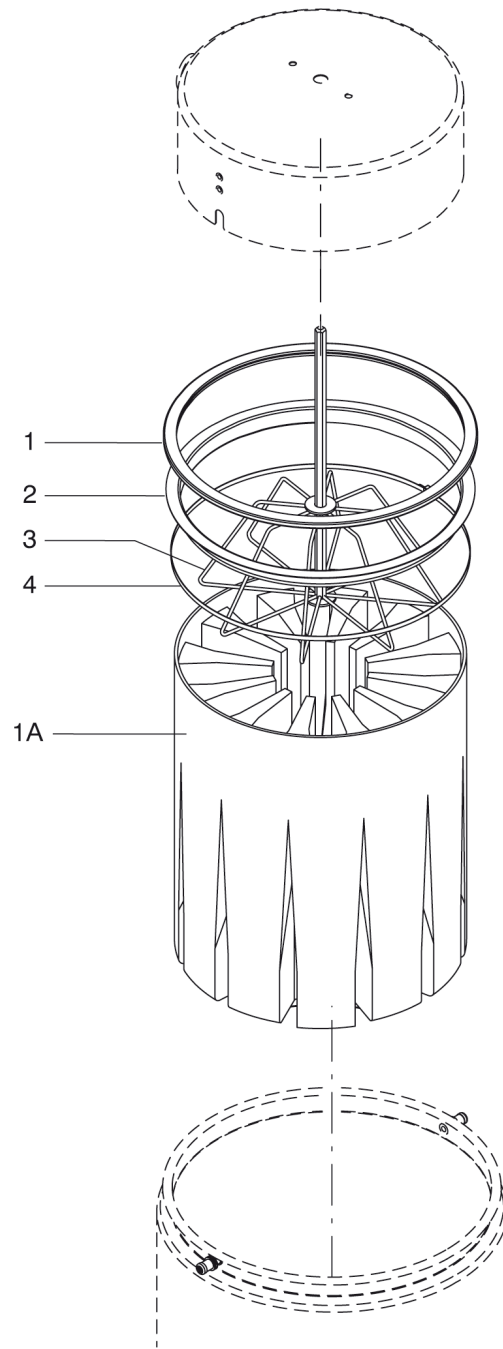
Pos.	Artikel-Nr.	Menge	Variante	Notes
1	4081500226	1	CARTRIDGES CASE DISC FE MOD.VHW320-321	
1	4081500231	1	CARTRIDGES CASE DISC SS MOD.VHW320-321	
2	4081701040	1	Ringichtung PF D350 SBR NEROM.VHW	
2	4081701041	1	Dichtung D 360 schwarz Nilfisk 3156 / 1	
3	4081701020	2	Filterpatrone D120X300	
1A	4089100365	1	Befestigungskit f. Filter	
1A	4089100368	1	SS FILTER FIXING KIT	



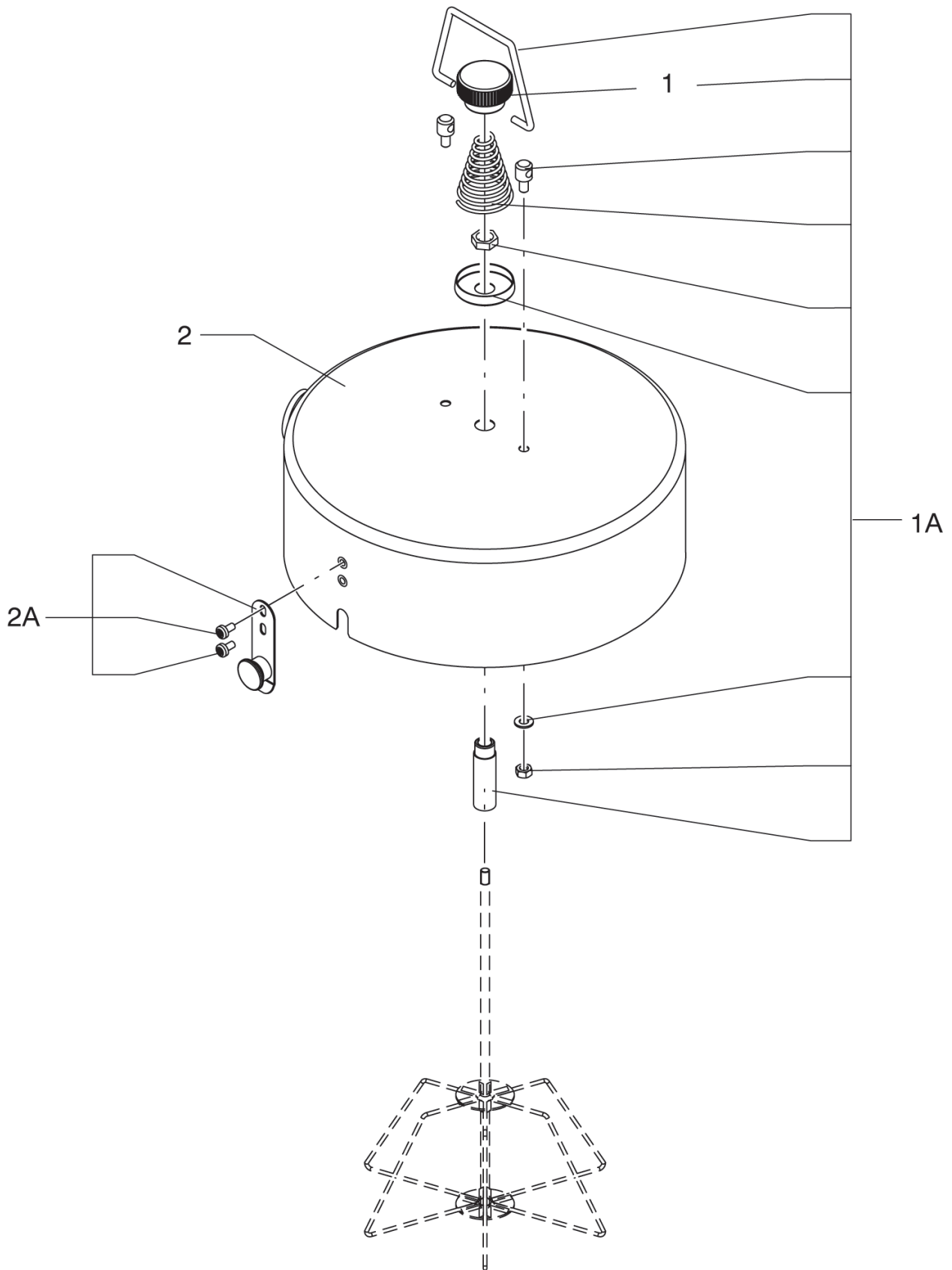


---

Pos.	Artikel-Nr.	Menge	Variante	Notes
1	4083101181	1	COVER D360 R9003 CARTRIDGES M.VHW320-321	
1	4083101187	1	COVER D360 SS CARTRIDGES MOD.VHW320-321	
1A	4089100330	1	CAP CLOSURE LEVER KIT	
2A	4089100366	1	PULLCLEAN KIT	
2A	4089100369	1	SS PULLCLEAN KIT	

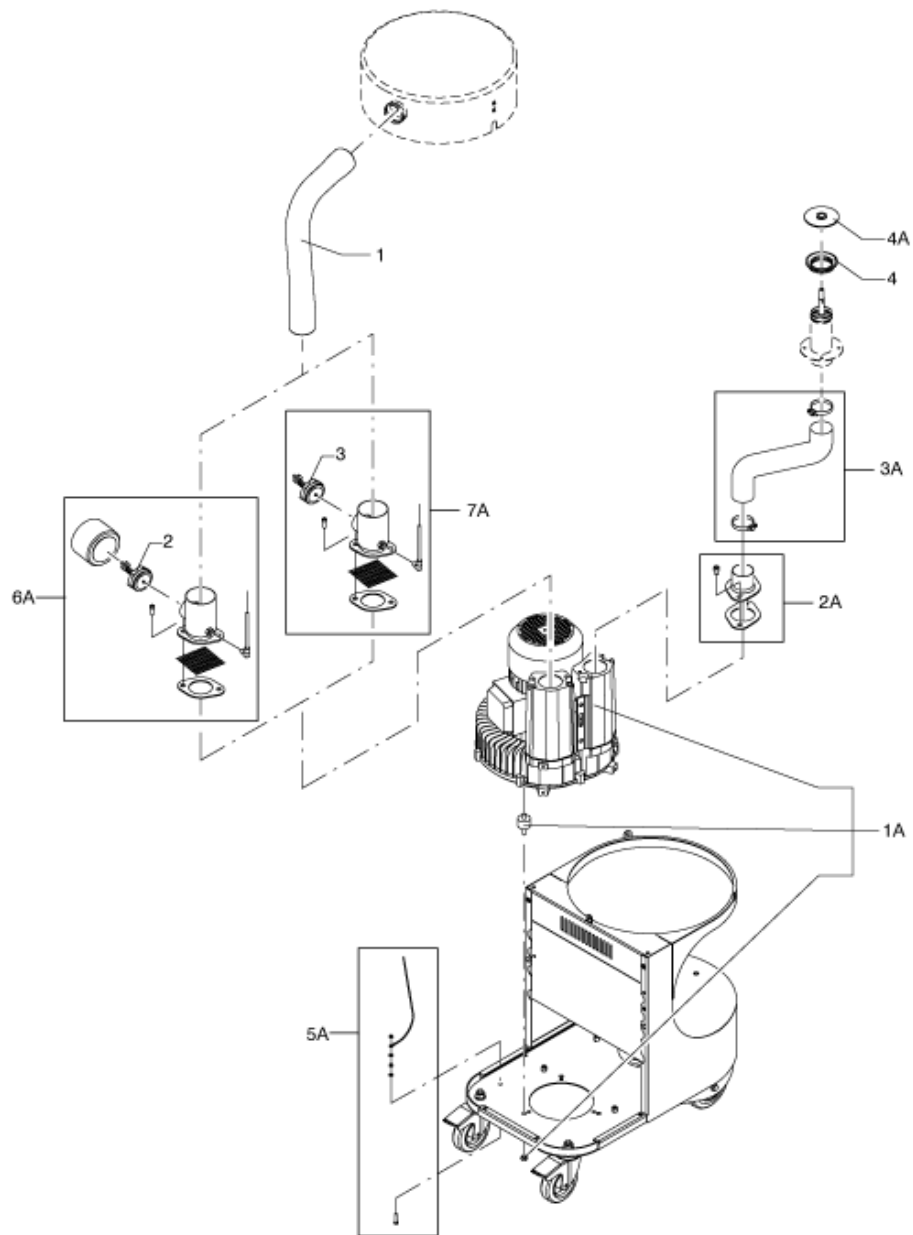


Pos.	Artikel-Nr.	Menge	Variante	Notes
1	4081701040	1	Ringichtung PF D350 SBR NEROM.VHW	
1	4081701041	1	Dichtung D 360 schwarz Nilfisk 3156 / 1	
2	4081500220	1	FILTER HOLDER RING D350 FEMOD.VHW310-311	
2	4081500229	1	FILTER HOLDER RING D350 SSMOD.VHW310-311	
3	8 33071	1	gabbia scuotifiltro	
3	8 33075	1	gabbia scuotifiltro inox	
4	8 18078	1	360MM FILTER HOLDER	
4	4081801385	1	FILTER BLOCK TIE D360 SS AISI304	
1A	40000460	1	Sternfilter Ø360mm Polyester, antistat	



---

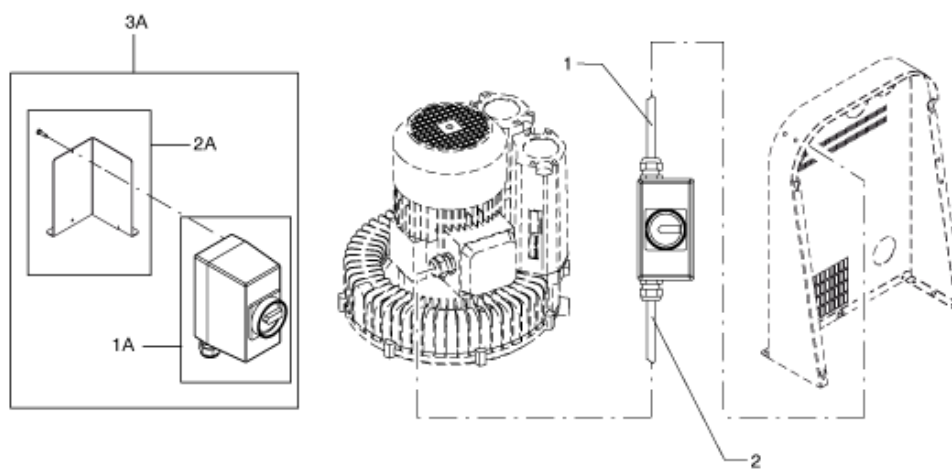
<b>Pos.</b>	<b>Artikel-Nr.</b>	<b>Menge</b>	<b>Variante</b>	<b>Notes</b>
1	4084001145	1	Sterngriff ohne Loch	
2	4083101132	1	COVER D360 R9003 MAN.SHAKER M.VHW310-311	
2	4083101200	1	COVER D360 SS MAN.SHAKER MOD.VHW310-311	
1A	4089100329	1	FILTER SHAKER KIT	
1A	4089100337	1	Filterrüttler-Kit SS	
2A	4089100330	1	CAP CLOSURE LEVER KIT	



Pos.	Artikel-Nr.	Menge	Variante	Notes
01	4089100423	1	HOSE KIT	[1]
01A	4089100421	1	SUCTION UNIT KIT	[1]
01A	4089100410	1	SUCTION UNIT KIT	
02	4089100213	1	1 1/2 LIMIT. VALVE WITH FILTER	
02A	40000326	1	Flansch D50	
03	32400363	1	Unterdrucksicherheits-	
03A	4089100409	1	HOSE KIT	
04	4084000988	1	LIP SEAL D50 M.WSS-WST	
04A	4089100367	1	CLAPET KIT	
05A	40000877	1	GROUND CABLE KIT	[1]
06A	4089100422	1	SUCTION CONNECTION KIT	
07A	4089100338	1	SUCTION CONNECTION KIT	

## Part Notes:

[1] - CONTACT PM IN ZOCCA

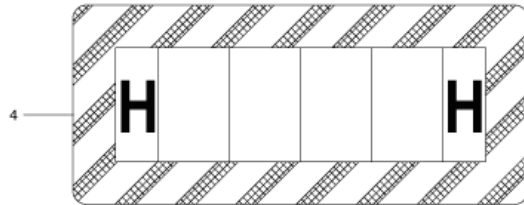
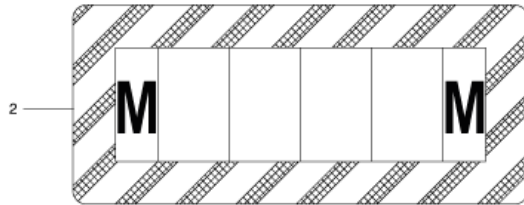
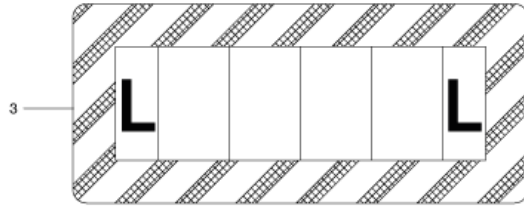
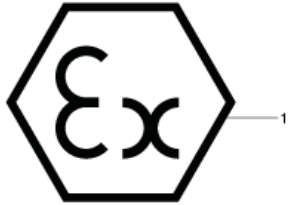




Pos.	Artikel-Nr.	Menge	Variante	Notes
1	4083901965	1	CABLE SUP. 4G2.5 H07RN-F SP16A 5PP6M II2POWER CABLE KIT 5PP Z21	[1]
1	4089100411	1	POWER CABLE KIT	
1	4083901966	1	CABLE SUP. 4G2.5 H07RN-F SP16A 6M II2DPOWER CABLE KIT Z21	[1]
2	Z8 391079	1	Kabel	
1A	4089100380	1	ELECTRIC BOX KIT	[2]
1A	4089100424	1	ELECTRIC BOX KIT	[1]
2A	4089100381	1	ELECTRIC PANEL SUPPORT KIT	
2A	4089100471	1	ELECTRIC PANEL SUPPORT KIT	[1]
3A	4089100382	1	ELECTRIC BOX PLUS SUPPORT KIT	
3A	4089100425	1	ELECTRIC BOX PLUS SUPPORT KIT	

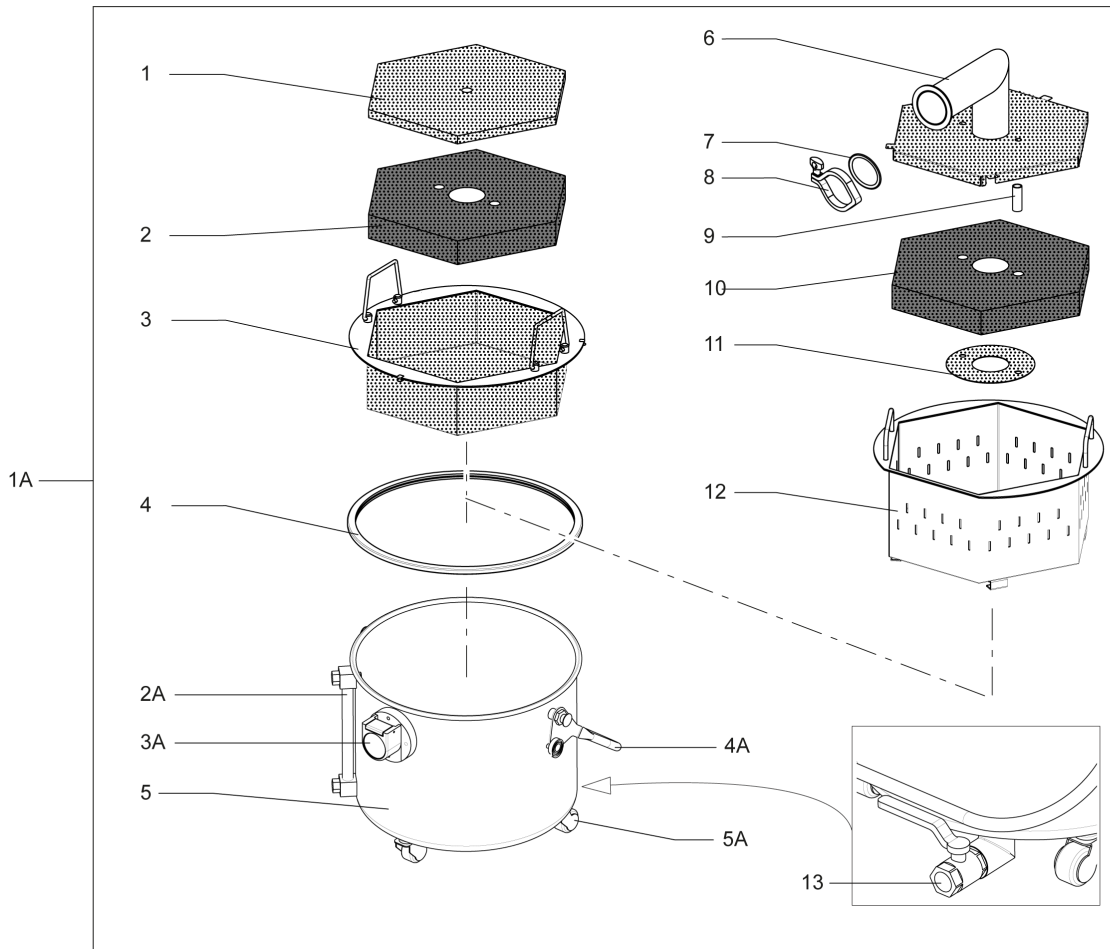
## Part Notes:

- [1] - CONTACT PM IN ZOCCA
- [2] - CONTACT PM IN ZOCCA-CHECK EC



---

<b>Pos.</b>	<b>Artikel-Nr.</b>	<b>Menge</b>	<b>Variante</b>	<b>Notes</b>
02	Z8 17551	1	LABEL CATEGORY M	
03	Z8 17550	1	LABEL CATEGORY L	



---

Pos.	Artikel-Nr.	Menge	Variante	Notes
1	4081400686	1	SS HANDLE FOR THE CHIP BASKET	
2	4056000602	1	KIT DISPOSAL SYSTEM D360 M.VHW320-321 SS	
3	4056000601	1	KIT UPSTREAM ABSOLUT FILT. VHW321 R9003	

