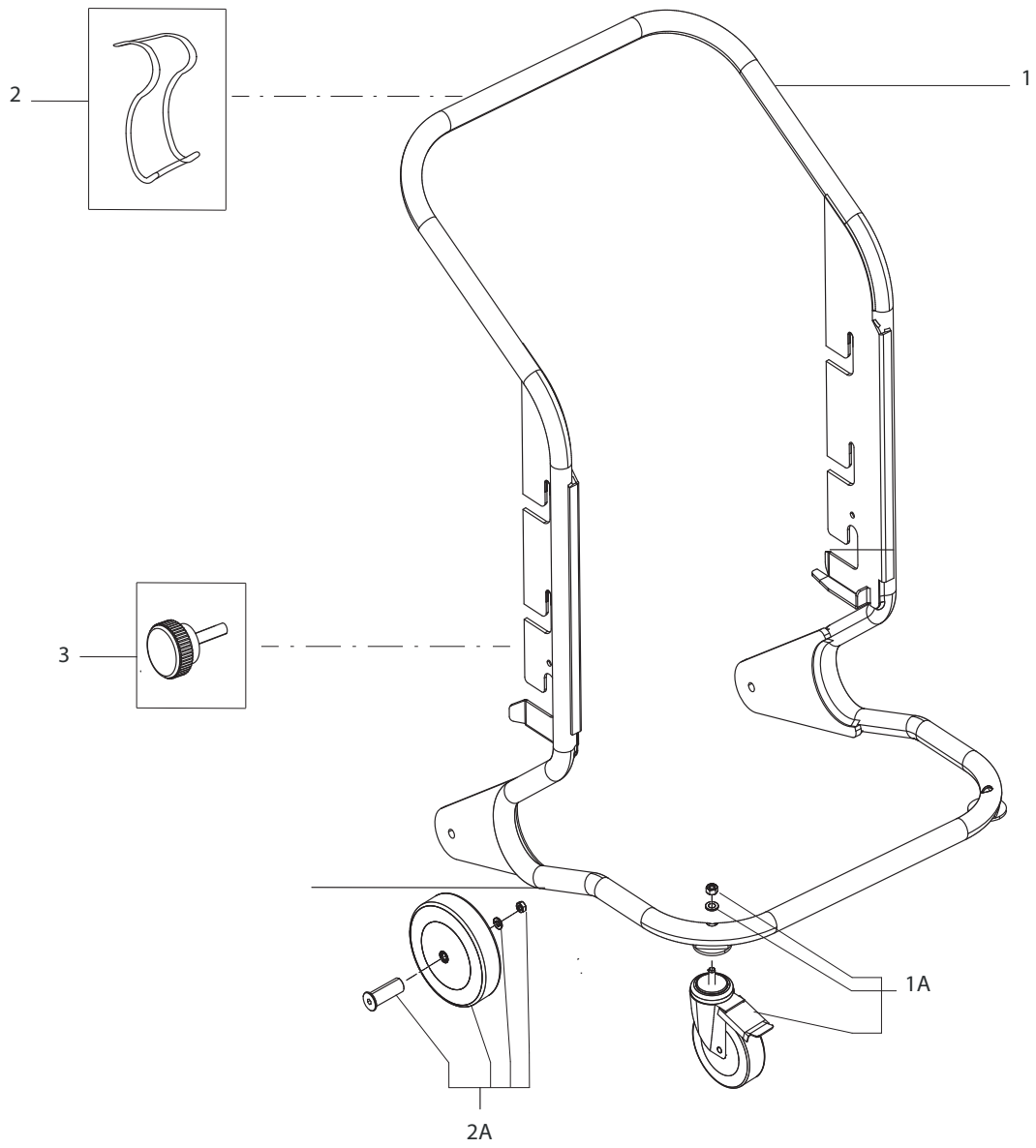


PARTS LIST

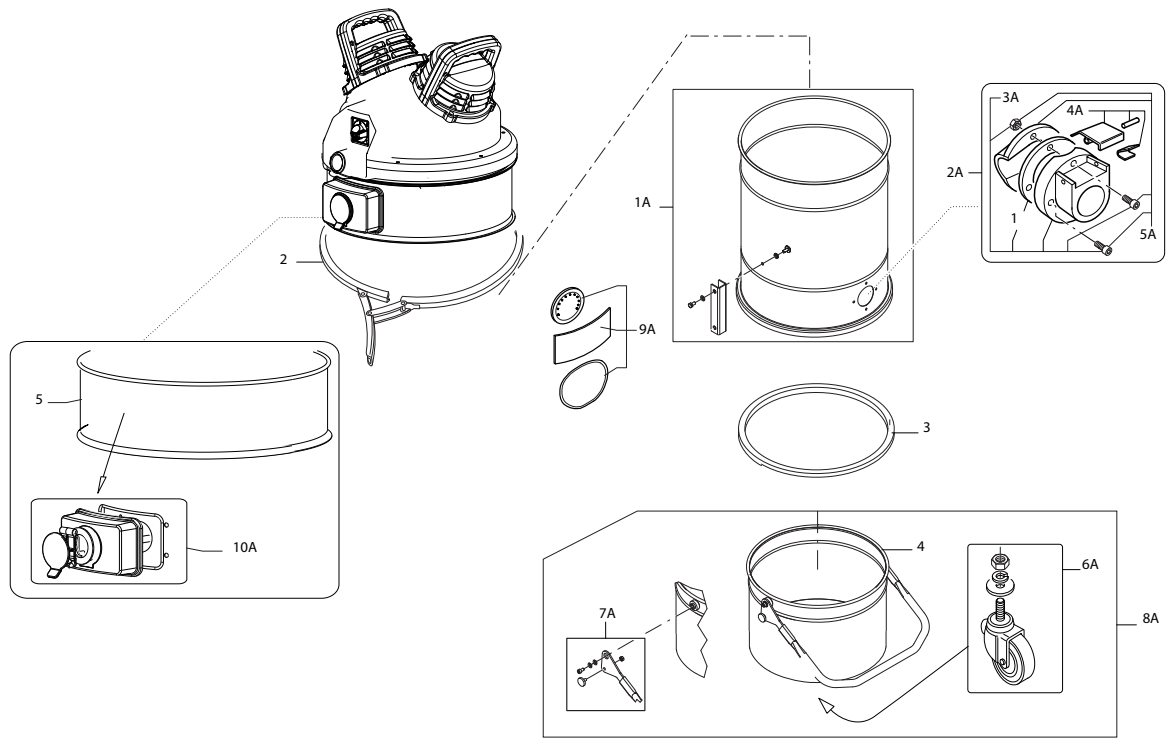
2020.05.15

TABLE OF CONTENTS

L235 - 1 - CAR	1
L235 - 2 - CONTAINER UNIT	3
L235 - 3 - CONTAINER UNIT	5
L235 - 4 - FILTER GROUP	7
L235 - 5 - SUCTION UNIT	9



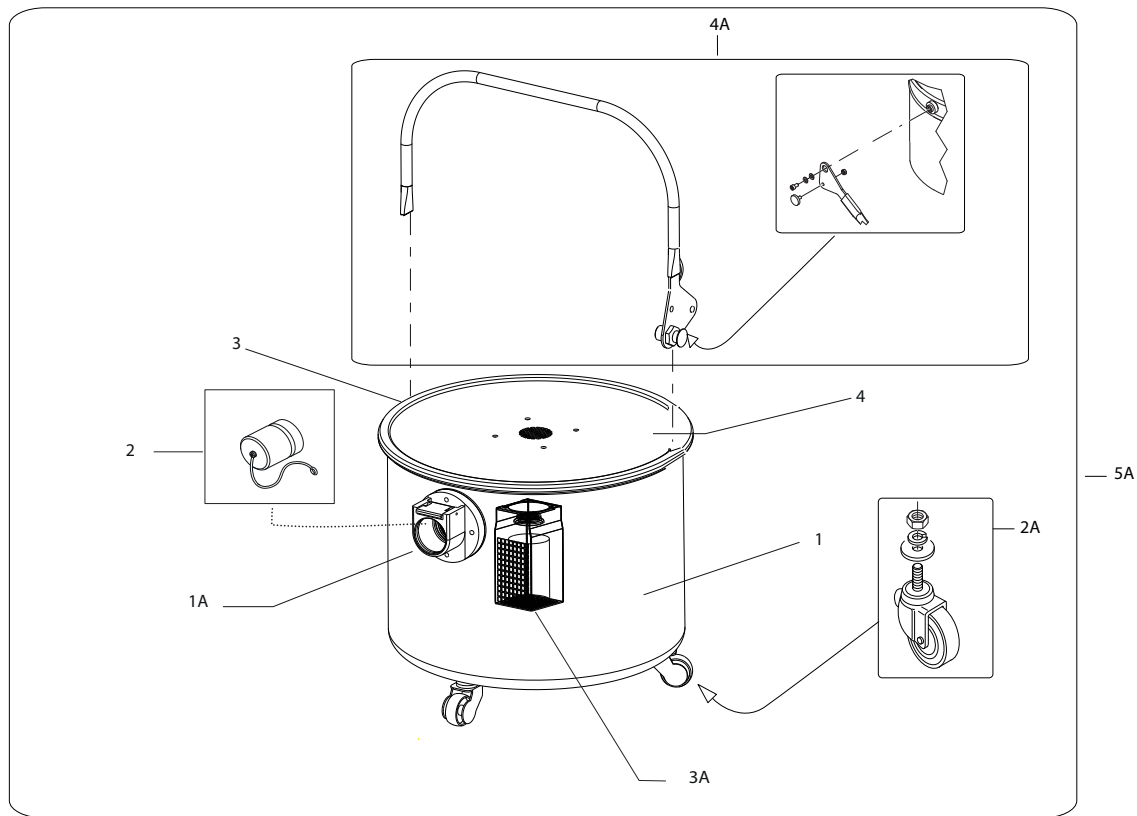
Pos.	Artikel-Nr.	Menge	Variante	Notes
1	4083600860	1	TROLLEY VHS110 RAL SS	
2	4081600745	1	Netzkabelhacken	
3	Z58 40507	4	Knob D40 M8	
1A	4089100811	2	KIT PIVOTTING WHEEL D100 MOD.VHS CR	
2A	4089100812	2	FIX WHEEL KIT MOD.VHS CR	



Pos.	Artikel-Nr.	Menge	Variante	Notes
1	Z8 17005	3	Anschlussdichtung D50	
2	4083600862	2	BAND LOCK D400 NIPLOY	
3	4081701238	1	FILTER SILICONE SEAL D390 VHS110	
4	4083000878	1	CONTAINER D400X315 SS VHS110 CR	
5	4081100186	1	CLAPET FILT. CHAMB. EXTENSION D400 SS	
1A	4089100794	1	FILTER CHAMBER KIT SS MOD.VHS	
2A	4089100813	1	D50 COMPLETE INLET KIT MOD.VHS CR	
3A	4089100280	1	D50 INLET SS KIT	
3A	4089100928	1	Umrüstsatz D50 auf ATEX kpl.	
4A	40000320	1	Arretierung f. Kessel-	
5A	4089100814	1	DEFLECTOR KIT D50 MOD.VHS CR	
6A	4089100815	1	KIT WHEEL CONTAINER MOD.VHS CR	
7A	4089100816	1	KIT HANDLE FOR CONTAINER MOD.VHS CR	
8A	4083000879	1	CONTAINER SS COM.D400 VHS110 CR	
9A	4089100809	1	LABEL KIT MOD.VHS CR V120	
10A	4089100791	1	KIT CLAPET MOD.VHS	
NS	4089100810	1	LABEL KIT MOD.VHS110 CR	[1]

Part Notes:

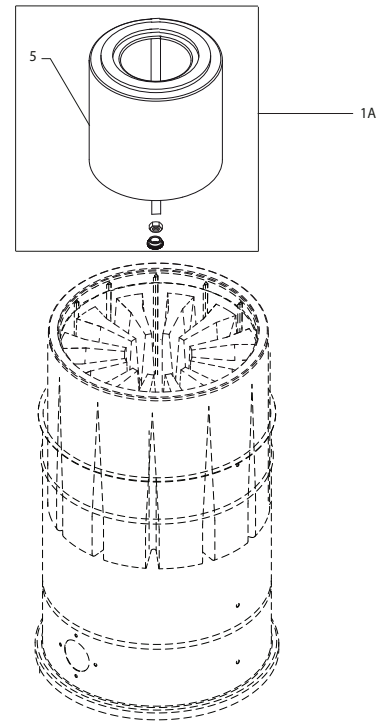
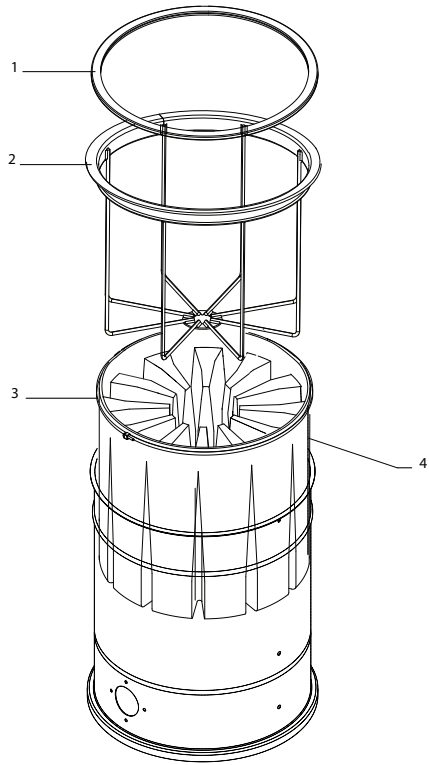
[1] - CONTACT PM IN ZOCCA



Pos.	Artikel-Nr.	Menge	Variante	Notes
1	4083000888	1	CONTAINER D400X300 SS LIQUID KIT VHS110	
2	Z7 21071	1	PLUG X INLET D50 INOX COMPLETE	[1]
3	4081701238	1	FILTER SILICONE SEAL D390 VHS110	
4	4081200604	1	FLOAT CAGE HOLDER DISC VHS110 SS	
1A	4089100851	1	INLET COMPLETE KIT D50 MOD.VHS	
2A	4089100815	1	KIT WHEEL CONTAINER MOD.VHS CR	
3A	4089100852	1	KIT FLOAT MOD.VHS	
4A	4089100816	1	KIT HANDLE FOR CONTAINER MOD.VHS CR	
5A	4056000780	1	LIQUID KIT VHS110 CLEAN ROOM	

Part Notes:

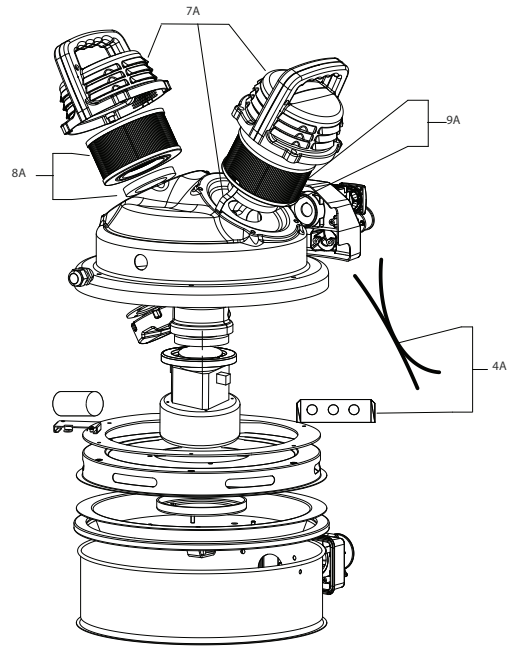
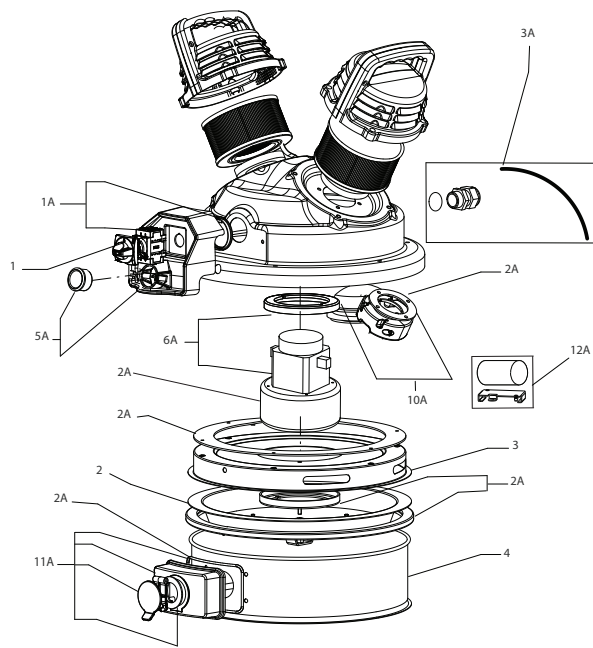
[1] - CONTACT PM IN ZOCCA



Pos.	Artikel-Nr.	Menge	Variante	Notes
1	Z8 17125	1	Filterringdichtung aus	
2	4083300427	1	FILTER HOLDER CAGE D400 8 ELEMENTS SS	
3	4084001291	1	Filterschelle D400	
4	4081701220	1	STAR FILTER D400 M-CLASS	
5	Z8 17262	1	Absolutfilter AD VHW360/3VT H14	
1A	4089100665	1	Absolutfilter AU VHW210	
NS	4081801386	1	FILTER BLOCK TIE D400 SS AISI304	[1]

Part Notes:

[1] - CONTACT PM IN ZOCCA



Pos.	Artikel-Nr.	Menge	Variante	Notes
1	4083901741	1	MAIN SWITCH 16A 3P REAR BOX UL-CSA 3LD	
2	4081600976	1	MOTOR SUPPORT VHS110	
3	4081600997	1	CLOSING PLATE MOTOR MOD.VHS CR	[1]
4	4081100186	1	CLAPET FILT. CHAMB. EXTENSION D400 SS	
1A	4089100793	1	PANEL FOR SWITCH VHS110 C2D2	
2A	4089100819	1	KIT JOINT HEAD MOD.VHS110	
3A	4089100827	1	KIT CABLE POWER MOD VHS110 CR	
4A	4089100801	1	KIT CABLE MOTOR MOD.VHS V230	[1]
5A	4089100821	1	KIT VACUUM GAUGE MOD.VHS110	
6A	4089100817	1	KIT MOTOR MOD.VHS110 CR V230	
7A	4089100822	1	Haube Absolutfilter Mod. VHS110	
8A	4089100823	1	KIT FILTER COOLING AIR H14 VHS110-VHCZ1	
9A	4089100826	1	KIT FILTER COOLING AIR U15 VHS110-VHCZ1	
10A	4089100824	1	KIT CONVEYER AIR HEAD MOD.VHS110	[1]
11A	4089100791	1	KIT CLAPET MOD.VHS	
12A	4089100818	1	KIT FILTER INTERFERENCE MOD.VHS CR V230	[1]

Part Notes:

[1] - CONTACT PM IN ZOCCA

