

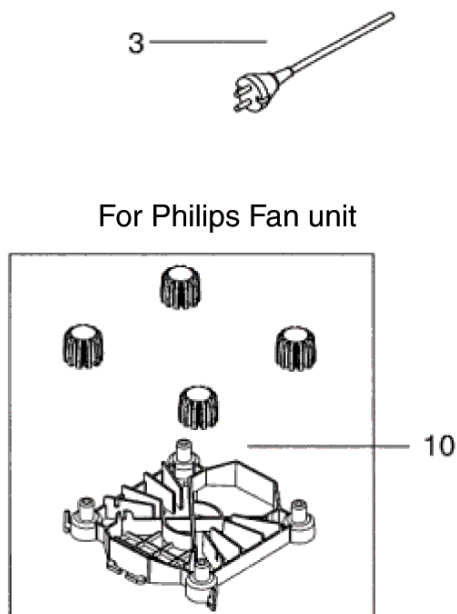
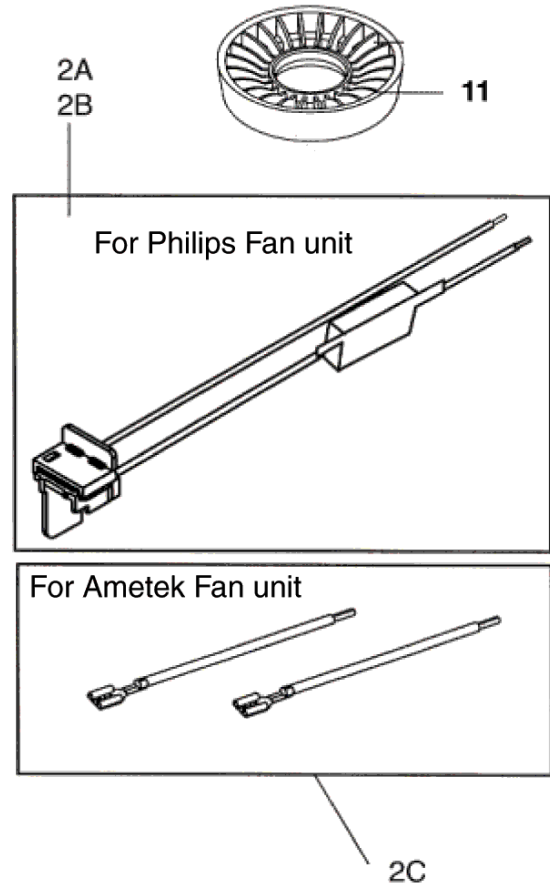
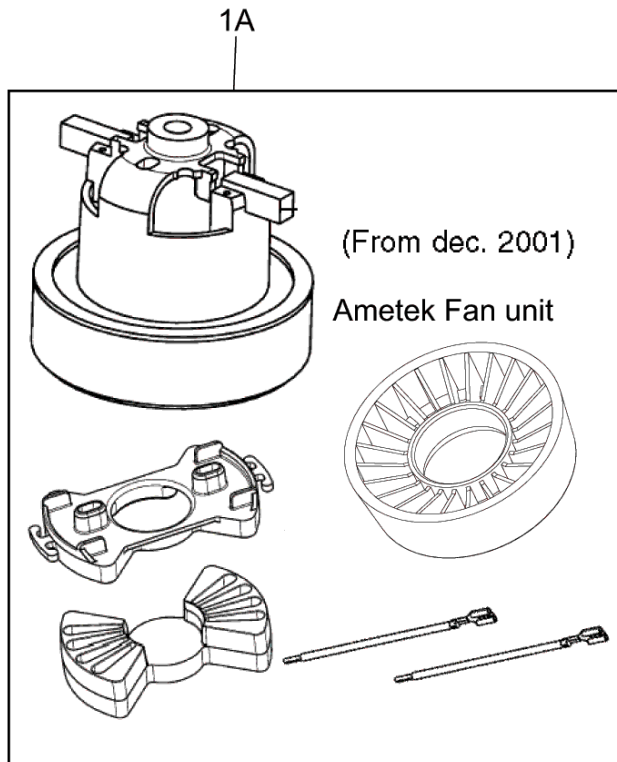
PARTS LIST



2021.10.25

TABLE OF CONTENTS

Motor and cord types	1
Upper parts	3
ELEKTRO-BETRIEBSSCHALTER EINHEITEN	5
Filterl, HEPA filter and sound suppressors	7
BODENTEILE	9
Zubehör - Düsen, Rohre, Schläuche, Filtersäcke	11
Zubehör: NILFISKMOP	13
Zubehör: Düsen, Consumer	15
RECOMMENDED SPARE PARTS	17

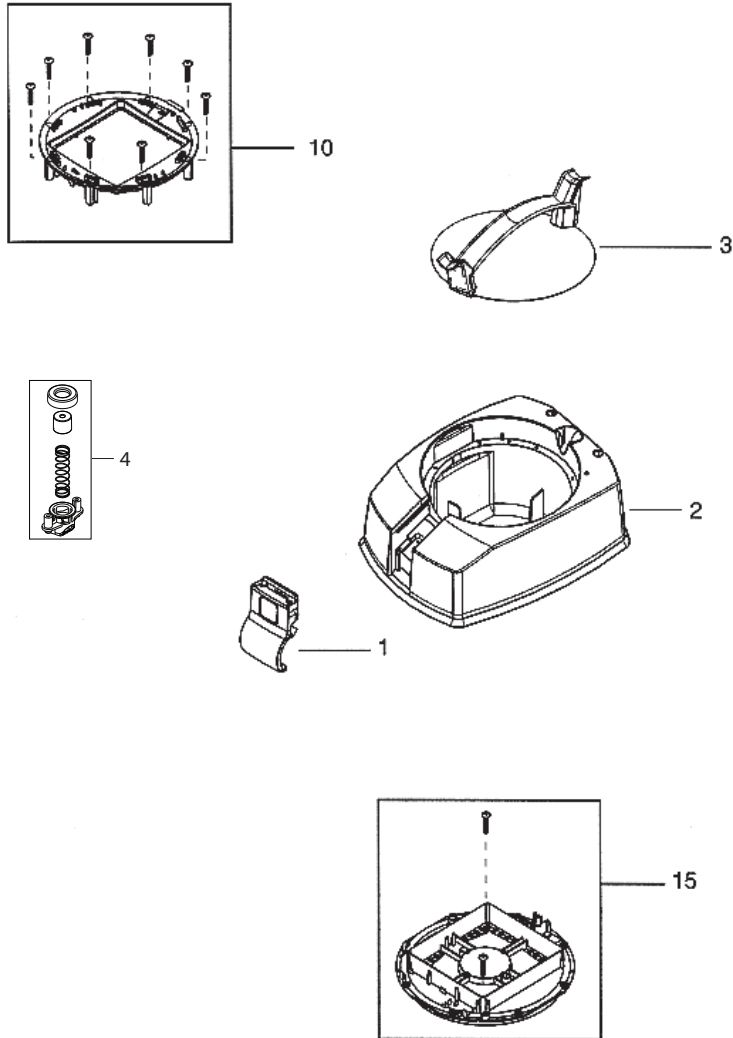


	Voltage	Plug type	
Europa	250		
UK	250		
AUS/NZ	250		
CH	-		
USA/Japan	120		
Italy	250		

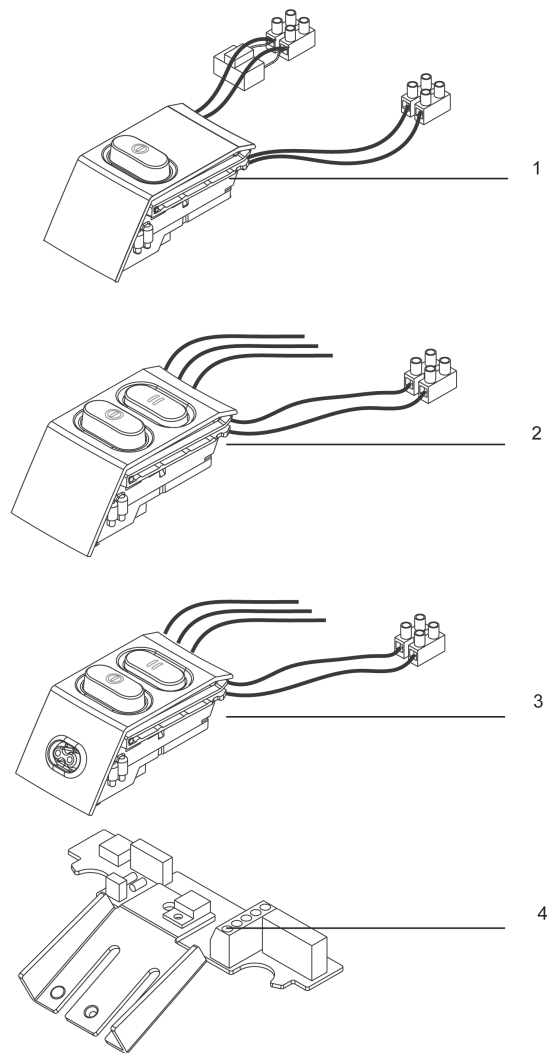
Pos.	Artikel-Nr.	Menge	Variante	Notes
00	140 8321 000	1	PACKAGE CPL. GD 1005/HDS 1005	
00	22224600	1	CARDBOARD BOX GD1000	
1A	107418629	1	MOTOR 220-240V EU ONLY	[1]
1A	22352201	1	MOTOR 100-120V	[2]
1A	22352200	1	Motor King-Serie/Backuum	[2]
2A	12117900	1	innere Verkabelung	[3]
2B	12118000	1	Thermoschalter zu GD1010	[3]
2C	22388400	1	INT. WIRE KIT FOR AMETEK FAN	
3	12003804	1	CORD SET CH CPL. L 15M	[4]
3	12222503	1	CORD SET UK L 10M	
3	12003806	1	CORD NO PLUG L 15M	[5]
3	12003802	1	CORD SET UK CPL. L 15M	
3	12003809	1	CORD SET US/JP AWG16 L 15M	[3]
3	12222507	1	CORD SET CH L 10M	
3	12003803	1	CORD SET AU/NZ CPL. L 15M	
3	12003801	1	Kabel 15 m	
3	12003807	1	CORD SET IT CPL. L 15M	
3	12003805	1	CORD SET JP CPL. L 15M	
3	12222501	1	Netzkabel EU GWD 350 10m	
3	12222506	1	CORD SET AU/NZ L 10M	
10	22231100	1	Motorschalldämpfer GD1005	[3]
11	22399800	1	Motorabdichtung	[6]

Part Notes:

- [1] - Erp 2017
- [2] - The motor fan unit kit of 22352200 is altered. The gasket and motor fixation is now included in this kit.
- [3] - GUARANTEE DATE EXPIRED
- [4] - Machine outphased 2010
GUARANTEE DATE EXPIRED
- [5] - PRUNED - NO REPLACEMENT
- [6] - for old motor type outph. 2001
MACHINE VERS.OUTPH.2001



Pos.	Artikel-Nr.	Menge	Variante	Notes
1	12004300	1	LOCK ASSEMBLY	
2	12010700	1	Oberteil zu HDS 1005	
3	12001200	1	Hebel mit Deckel grau	
4	62104301	1	VALVE	
10	22231001	1	Motorhalterung GD 1005	
10	22231000	1	Kit für Abdeckung zuHDS 1005	
15	22299601	1	Motorhalterung GD 1010	

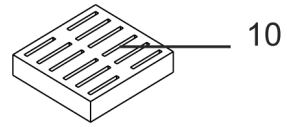
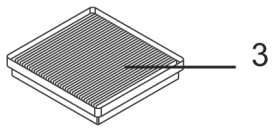
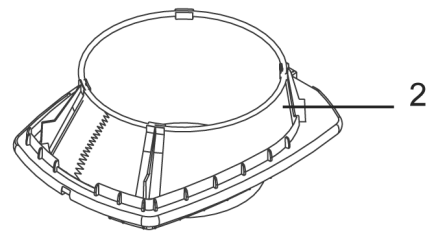
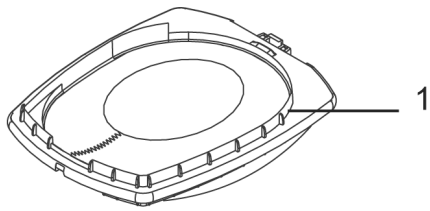


Resource notes:

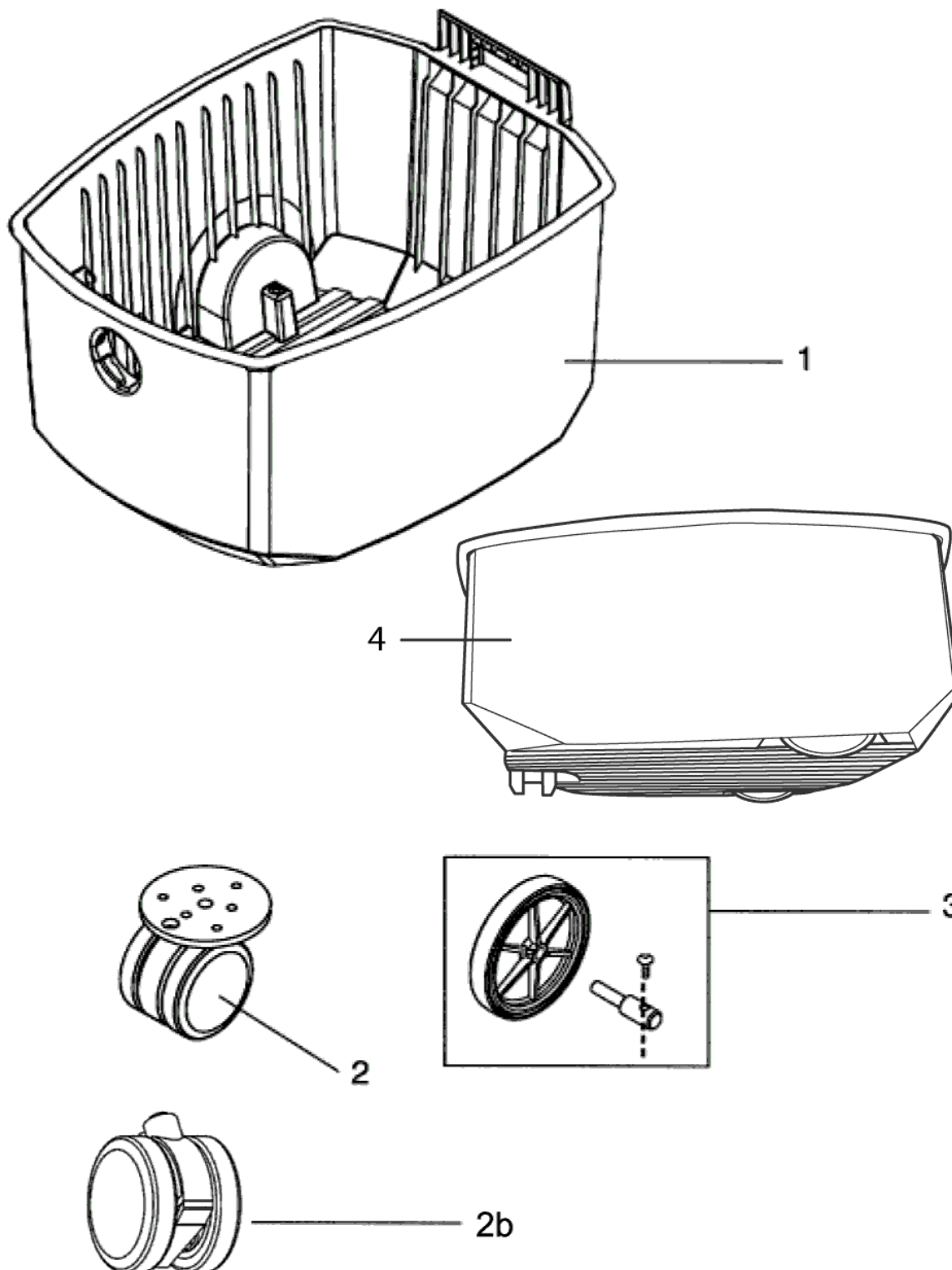
Pos.	Artikel-Nr.	Menge	Variante	Notes
01	12019610	1	Schaltereinheit zuGD1005/1010	
02	12019710	1	Schalter zu GDS 1010	
03	12019810	1	Schalter zu HDS 1005	[1]
04	12010922	1	WIRING BOARD 2SPEED AMETEK FAN	[2]
04	12010925	1	WIRING BOARD 2SPEED AMETEK FAN	[3]
04	12010924	1	WIRING BOARD 2SPEED AMETEK FAN	[4]
04	12010921	1	Elektronik-Karte GDS 1010und HDS 1010	[5]

Part Notes:

- [1] - GUARANTEE DATE EXPIRED
- [2] - 110-120V, 60Hz, 1000W
- [3] - 100V, 60Hz, 1000W
MACHINE OUTPHASED IN 2006
- [4] - 100V, 50Hz, 1000W
TERMINATED NO REPLACEMENT
- [5] - 220-240V, 50Hz, 1200W



Pos.	Artikel-Nr.	Menge	Variante	Notes
01	12014103	1	Filter Polyester 1200 cm ²	
01	12014201	1	Baumwoll-Filter 1200 cm ²	
02	12014301	1	Baumwoll-Filter 2300 cm ²	
03	12015500	1	HEPA-Filter H13	
10	22230900	1	Geräuschdämpfer	

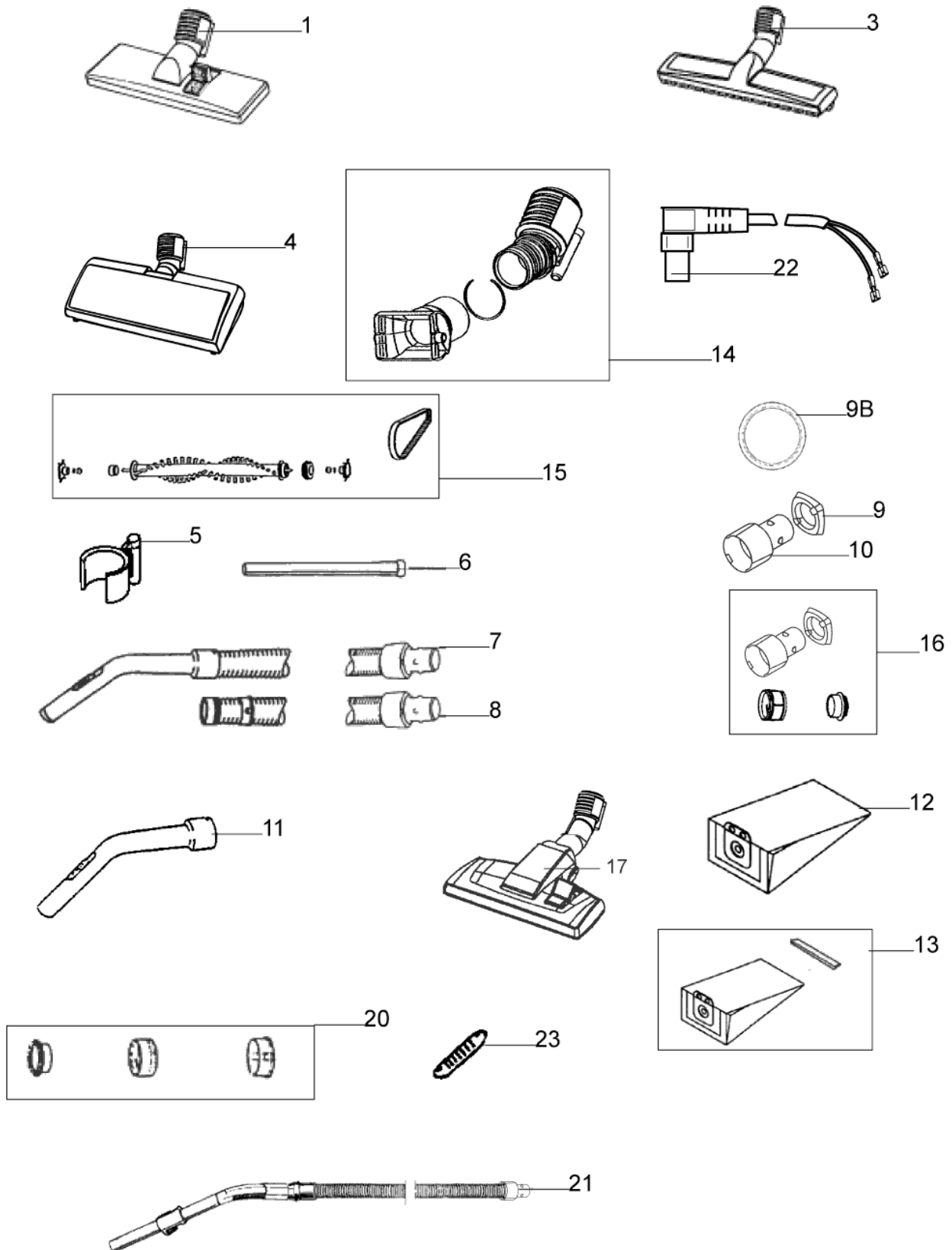


Resource notes:

Pos.	Artikel-Nr.	Menge	Variante	Notes
01	12000502	1	Kessel 8,75 Lit.zu GD 1005	
01	12000602	1	Behälter 10lt zu GDS 1010	
02	147 1040 500	1	Drehrad kompl. zuExtreme/GM 430	[1]
02B	147 1040 510	1	Vorderrad GD Serieohne Achse	
03	12009300	1	Rad-Achse GS 90 / GD 1000	
04	22246700	1	CONTAINER 5L HEAVY DUTY	[2]
04	22246800	1	CONTAINER 10L HEAVY DUTY	[2]

Part Notes:

- [1] - includes 3 screws
[2] - WHEELS INCLUDED

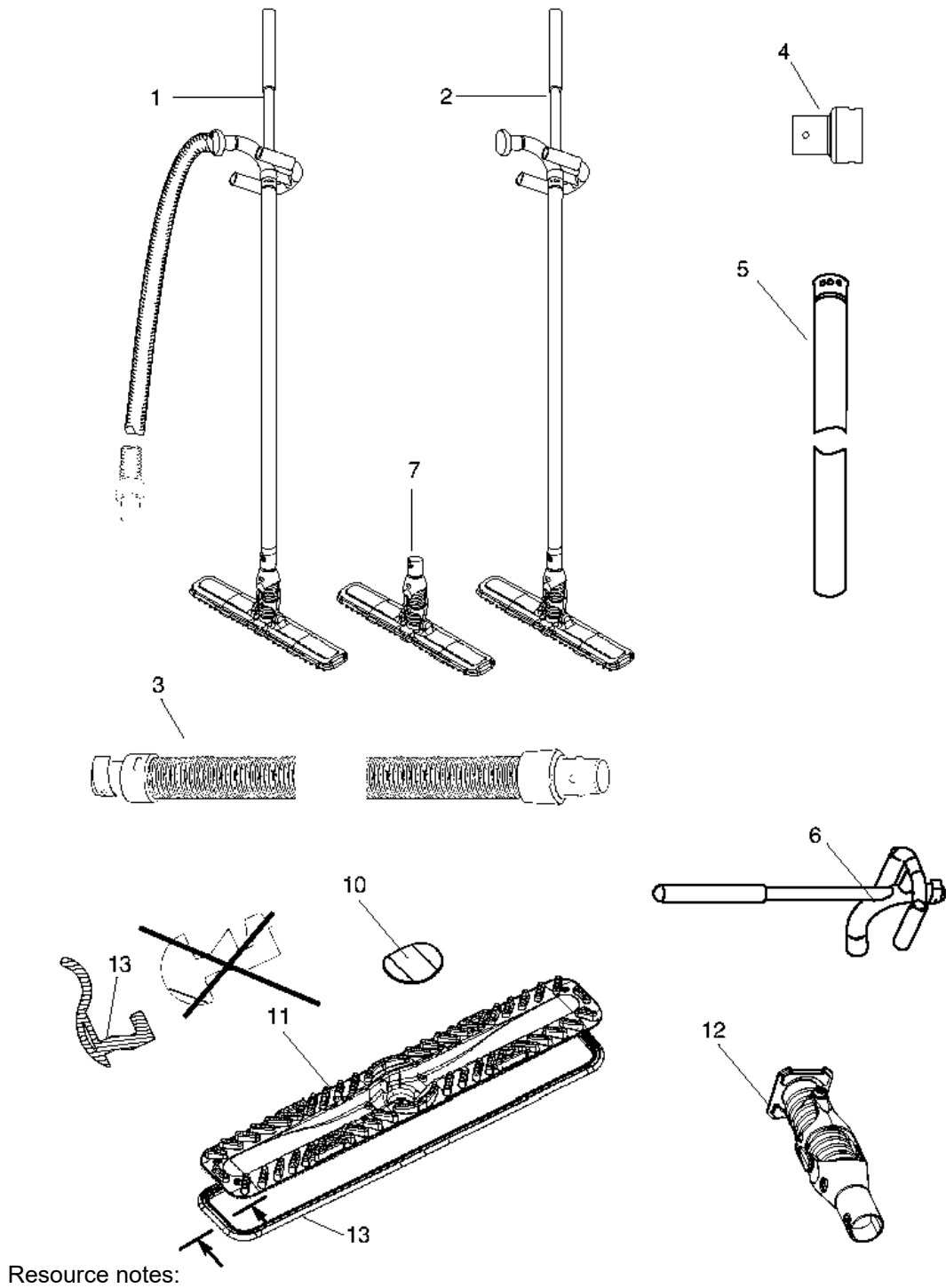


Resource notes:

Pos.	Artikel-Nr.	Menge	Variante	Notes
1	12019401	1	GD-Kombidüse mit Park-Clip 32-300mm	
3	12017001	1	Hartbodendüse m. Clip, Ø 32mm, grau	
4	12010100	1	Elektrosaugbürste	[1]
4	82220700	1	ELECTRO FL. NOZZ. 100-120V	[2]
5	12018201	1	Park Clip	
6	11112401	1	Stahlrohr gerade Ø 32x560 mm	
7	12018001	1	Schlauch kpl. M. K-Bogen, Ø 38-32 mmx2	
7	107417791	1	HOSE CPL. 2M GD1000/2000 SP KIT	[3]
8	22042401	1	Schlauch, Ø 38-32 mm	
9	11542001	1	Gummidichtung zuBayonettverschluss GS	
9B	010 9299 540	1	Dirchtung GD 930	
10	12018101	1	KS-Bajonett GD-Serie	
11	21640503	1	Rohrbogen PVC Ø 32 mm, grau	
12	82222900	1	Staubbeutel 9,5L 5 Stück	
12	82367805	1	Staubbeutel, 5 Liter, VPE 5	
12	82222900	1	Staubbeutel 9,5L 5 Stück	
12	82222800	1	Staubbeutel 5 L , 5 Stück	
13	22251800	1	Stoffsackset	
14	22367500	1	Kupplung	
15	22365000	1	Walze inkl. Flachriemen	[4]
16	147 0210 520	1	Baj, kompl. GD 910	
17	107418630	1	COMBI NOZZLE RD295P W. PARKING CLIP	[5]
17	140 8492 510	1	Rollen-Kombibodendüse Ø 32 mm	
20	22350900	1	Ringset f. PVC Rohrbogen, Ø 32 mm	
21	82321300	1	Kunststoffschlauch kpl. 2 m	
22	22201500	1	Elektronikkabel zu ESB	
23	22351000	1	Luftventil, VPE 5	

Part Notes:

- [1] - PRUNED DUE TO LOW SALES
- [2] - NO DIRECT REPLACEMENT
- [3] - PRUNED - NO REPLACEMENT
- [4] - NO MORE AVAILABLE
- [5] - ACCESSORY 2020 PRUNING ERP 2017



Pos.	Artikel-Nr.	Menge	Variante	Notes
01	17830000	1	NILFISK MOP GD1000	
01	17830002	1	NILFISK MOP GD1000	
01	17830001	1	NILFISK MOP GD1000	
02	17830007	1	MOP WITHOUT HOSE 1000 MM MED.	
03	62139100	1	Kunststoffschlauch Ø 32 mm	
04	82149600	1	Saugschlauch kpl. Ø 32 mm	[1]
04	82149700	1	ADAPTOR FOR TASKI	[2]
04	82149500	1	ADAPTOR FOR NUMATIC	[3]
05	62188100	1	TUBE LENGTH 800 MM	[4]
05	62188300	1	TUBE LENGTH 1180 MM	[4]
06	62188400	1	HANDLE	[4]
07	22201800	1	MOP NOZZLE	[5]
11	22144600	1	Bürstenplatte für Mop	[6]
12	22144300	1	Gelenk zu MOP	[5]
13	22145500	1	Gummileiste zu Nilfisk Mop	[6]

Part Notes:

- [1] - 2020 ACCESSORY PRUNING
- [2] - PRUNED
- [3] - TERMINATED
- [4] - NO REPLACEMENT
- [5] - NO LONGER AVAILABLE
- [6] - GUARANTEE EXPIRED

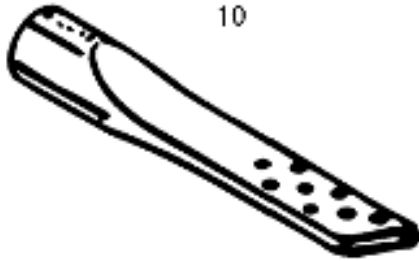
1



2



10



11



12



Resource notes:

Pos.	Artikel-Nr.	Menge	Variante	Notes
01	32043700	1	Polsterdüse Ø 32 mm, grau	
02	22103600	1	Pinselbürste, blaue Borsten, Ø 32 mm	
02	11276901	1	Pinselbürste, Naturborsten, Ø 32x70 mm	
02	22302500	1	ROUND BRUSH	[1]
10	81530400	1	Fugendüse, PVC Ø 32x245 mm	
11	11530500	1	RADIATORBÜRSTE	[2]
12	81140900	1	Schrägrohrdüse, Kunststoff grau Ø 32 mm	

Part Notes:

- [1] - 22352000 OR 11276901
[2] - 010 5818 140+010 3098 500

RECOMMENDED SPARE PARTS

GD 1010

2017.11.02

2013.04.02

Pos.	Artikel-Nr.	Menge	Variante	Notes
00	147 1040 500	1	Drehrad kompl. zuExtreme/GM 430	
00	147 1040 510	1	Vorderrad GD Serieohne Achse	
00	12003807	1	CORD SET IT CPL. L 15M	
00	22231100	1	Motorschalldämpfer GD1005	[1]
00	12003801	1	Kabel 15 m	
00	12222501	1	Netzkabel EU GWD 350 10m	
00	12019810	1	Schalter zu HDS 1005	[1]
00	12003805	1	CORD SET JP CPL. L 15M	
00	12222506	1	CORD SET AU/NZ L 10M	
00	12015500	1	HEPA-Filter H13	
00	22352200	1	Motor King-Serie/Backuum	
00	12003803	1	CORD SET AU/NZ CPL. L 15M	
00	12003802	1	CORD SET UK CPL. L 15M	
00	12004300	1	LOCK ASSEMBLY	
00	12010922	1	WIRING BOARD 2SPEED AMETEK FAN	
00	12003806	1	CORD NO PLUG L 15M	[2]
00	12019610	1	Schaltereinheit zuGD1005/1010	
00	12001200	1	Hebel mit Deckel grau	
00	12003804	1	CORD SET CH CPL. L 15M	[3]
00	12222503	1	CORD SET UK L 10M	
00	12010921	1	Elektronik-Karte GDS 1010und HDS 1010	
00	12003809	1	CORD SET US/JP AWG16 L 15M	[1]
00	12010924	1	WIRING BOARD 2SPEED AMETEK FAN	[4]
00	12019710	1	Schalter zu GDS 1010	
00	12222507	1	CORD SET CH L 10M	
00	12009300	1	Rad-Achse GS 90 / GD 1000	
00	22230900	1	Geräuschdämpfer	
00	22352201	1	MOTOR 100-120V	
00	22399800	1	Motorabdichtung	[5]

Part Notes:

- [1] - GUARANTEE DATE EXPIRED
- [2] - PRUNED - NO REPLACEMENT
- [3] - Machine outphased 2010
GUARANTEE DATE EXPIRED
- [4] - TERMINATED NO REPLACEMENT
- [5] - MACHINE VERS.OUTPH.2001

