

 **Nilfisk**[®]

 07351-5758060

kontakt@nilfisk-alto-shop.com



 **Heine**
Vertriebs-GmbH

Preisabfrage bzw. Bestellungen der Artikel im Shop unter

www.nilfisk-alto-shop.com

einfach die Artikelnummer in die Suchmaske eingeben

(Bitte die Artikelnummer ohne Leerzeichen eingeben)

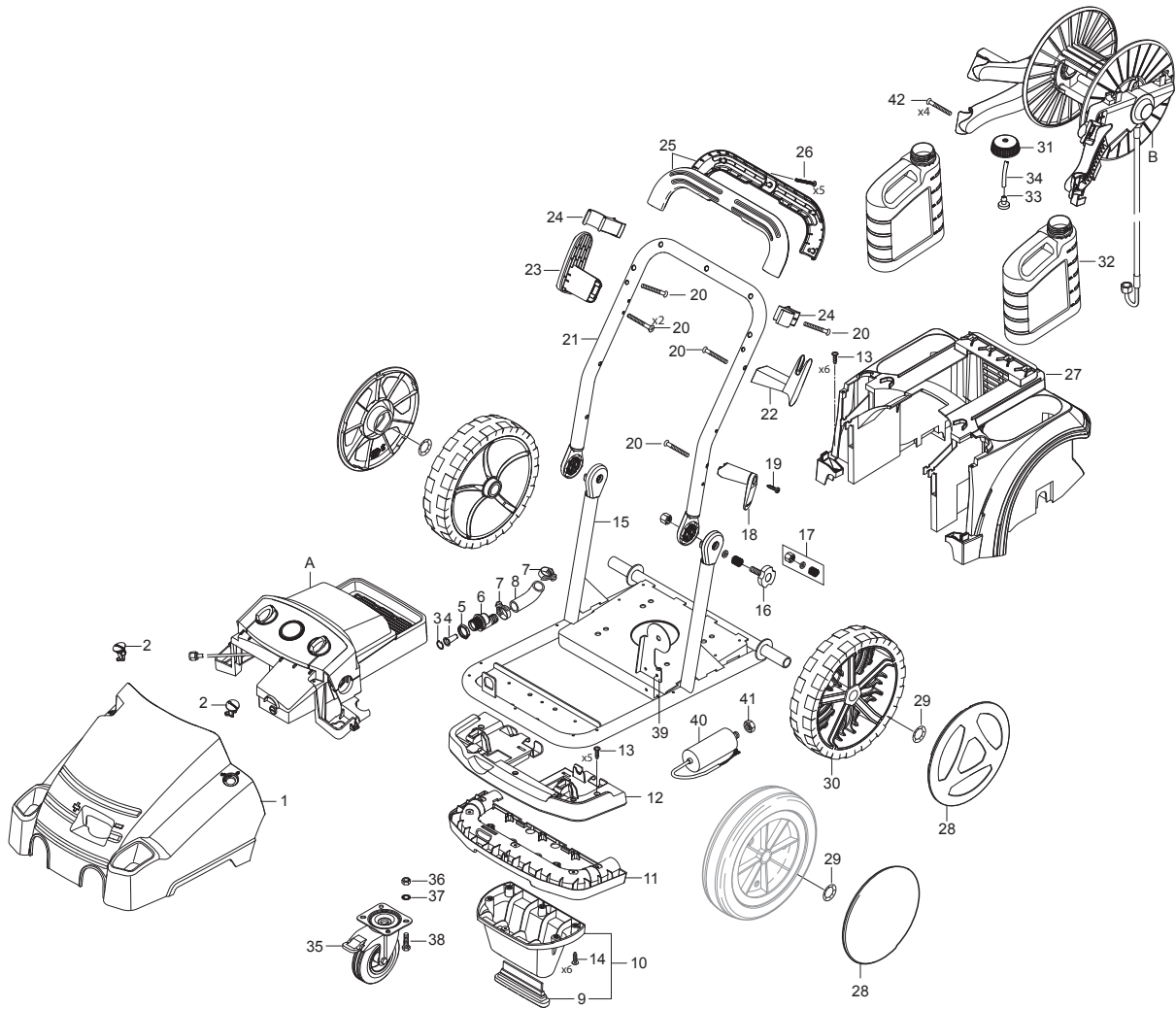
PARTS LIST



2017.02.23

TABLE OF CONTENTS

| | |
|-------------------------------|----|
| Overview | 1 |
| Electric box | 4 |
| Hose reel | 7 |
| Motor | 9 |
| Cylinder block | 12 |
| Unloader FA | 14 |
| Default accessories | 16 |
| Recommended spare parts | 18 |

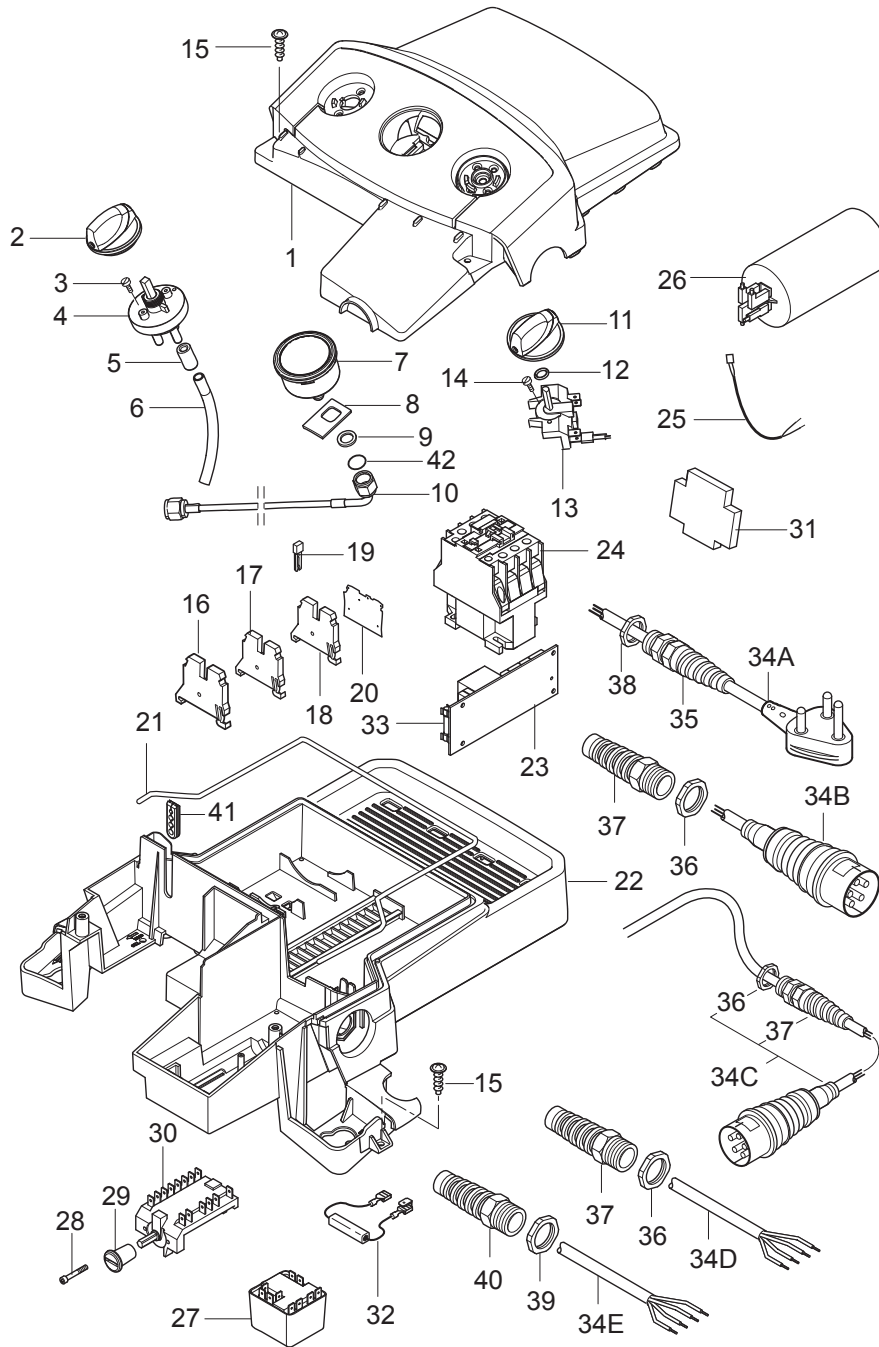


| Pos. | Artikel-Nr. | Menge | Variante | Notes |
|------|-------------|-------|--|-------|
| A | | 1 | Electric box | [1] |
| B | | 1 | Hose reel | [2] |
| 1 | 107141602 | 1 | Abdeckung Front POS 6 | |
| 1 | 107140959 | 1 | Abdeckung Front POS 6 Unitor | |
| 2 | 301001261 | 2 | Verriegelung | |
| 3 | 107141667 | 1 | Sicherungsring | |
| 4 | 101117926 | 1 | Sieb | |
| 5 | 1800341 | 1 | Gegenmutter 3/4 | |
| 6 | 107141668 | 1 | Wassereinlass | |
| 7 | 107141707 | 1 | SCHLAUCHHALTERUNG | [3] |
| 7 | 23221 | 2 | Schlauchschelle SGL 20-32 | |
| 8 | 107141697 | 1 | RUBBER ELBOW NA5/NA6 FA | |
| 9 | 107141615 | 1 | Stützfuß | |
| 10 | 101118100 | 1 | Stütze | |
| 11 | 107141617 | 1 | Halteplatte | |
| 12 | 107141618 | 1 | Halteplatte | |
| 13 | 107141690 | 5 | Linsenschraube DIN7985-M5x12-8.8 | |
| 14 | 107141838 | 6 | SCHRAUBE K50X18 WN1451 SCHWARZ TORX 20 | |
| 15 | 107141622 | 1 | FRAME STAINLESS STEEL | [3] |
| 15 | 107141621 | 1 | FRAME NA6/C3 | |
| 16 | 107141672 | 2 | Sterngriff | |
| 17 | 101118104 | 2 | Satz Befestigungsteile | |
| 18 | 107141625 | 1 | KABELHALTER BEWEGLICH SCHWARZ | |
| 19 | 107141838 | 1 | SCHRAUBE K50X18 WN1451 SCHWARZ TORX 20 | |
| 20 | 107141627 | 10 | SCREW K50X40 T20 | |
| 21 | 107141624 | 1 | FRAME HANDLE STAINLESS STEEL | [3] |
| 21 | 107141623 | 1 | Griffrohr | |
| 22 | 107141632 | 1 | KABELHALTERUNG | |
| 23 | 107141629 | 1 | Schlauchhalterung | |
| 24 | 107141630 | 1 | Lanzenhalterung NA | |
| 25 | 101118101 | 1 | Griffschale | |
| 26 | 909100148 | 5 | Ejotschraube K40x30 WN 14 | |
| 27 | 107141634 | 1 | Hinterteil | |
| 28 | 107145780 | 2 | RADKAPPE FUER RAD Ø300X65 | [4] |
| 28 | 107145782 | 2 | WHEEL CAP FOR WHEEL Ø300X65 - UNITOR | [4] |
| 28 | 301001077 | 2 | Radkappe 234 | [4] |
| 29 | 46363 | 2 | Klemmscheibe | |
| 29 | 107145570 | 2 | CLAMPING RING D25XD42X3 | [3] |
| 30 | 107145637 | 2 | WHEEL D300X65 | [4] |
| 30 | 6184074 | 2 | Rad | [4] |
| 30 | 2010908 | 2 | Rad | [3] |
| 31 | 107141664 | 2 | Deckel | |
| 32 | 107141635 | 2 | Reinigungsmitteltank | |
| 33 | 6400240 | 1 | Saugkorb | |
| 34 | 106408243 | 1 | HOSE 1/4INCH TRANSPARENT - 5 METERS | |
| 35 | 107141608 | 1 | Radbremse D125 FOOD | [3] |
| 35 | 107141607 | 1 | WHEEL W. BRAKE D125 | |
| 36 | 1809920 | 4 | Sechskantmutter M8 I | [3] |
| 36 | 1800515 | 4 | Sicherungsmutter M8 | |
| 37 | 1802917 | 1 | Scheibe M8 | [3] |
| 37 | 1800796 | 4 | Scheibe 8,4 | |
| 38 | 2753 | 4 | Sechskantschraube M8x 20 ISO 4017 zn | |
| 38 | 107140930 | 4 | SCREW M8X20 DIN933 SS | [3] |
| 42 | 107141695 | 4 | Torxschrauben K50x35 | |
| NS | 107140982 | 1 | 10 PCS OF BOXES FOR PACKAGING | |

Part Notes:

- [1] - See Electric box
 [2] - See Hose reel

- [3] - Food
- [4] - The new wheel and wheel cap is added from
Variant Ser. Nr. order nr.machine nr.
Nilfisk 3520151900645 - 1712947 - 107146806
Unitor 3520151901159 - 1711044 - 107146807

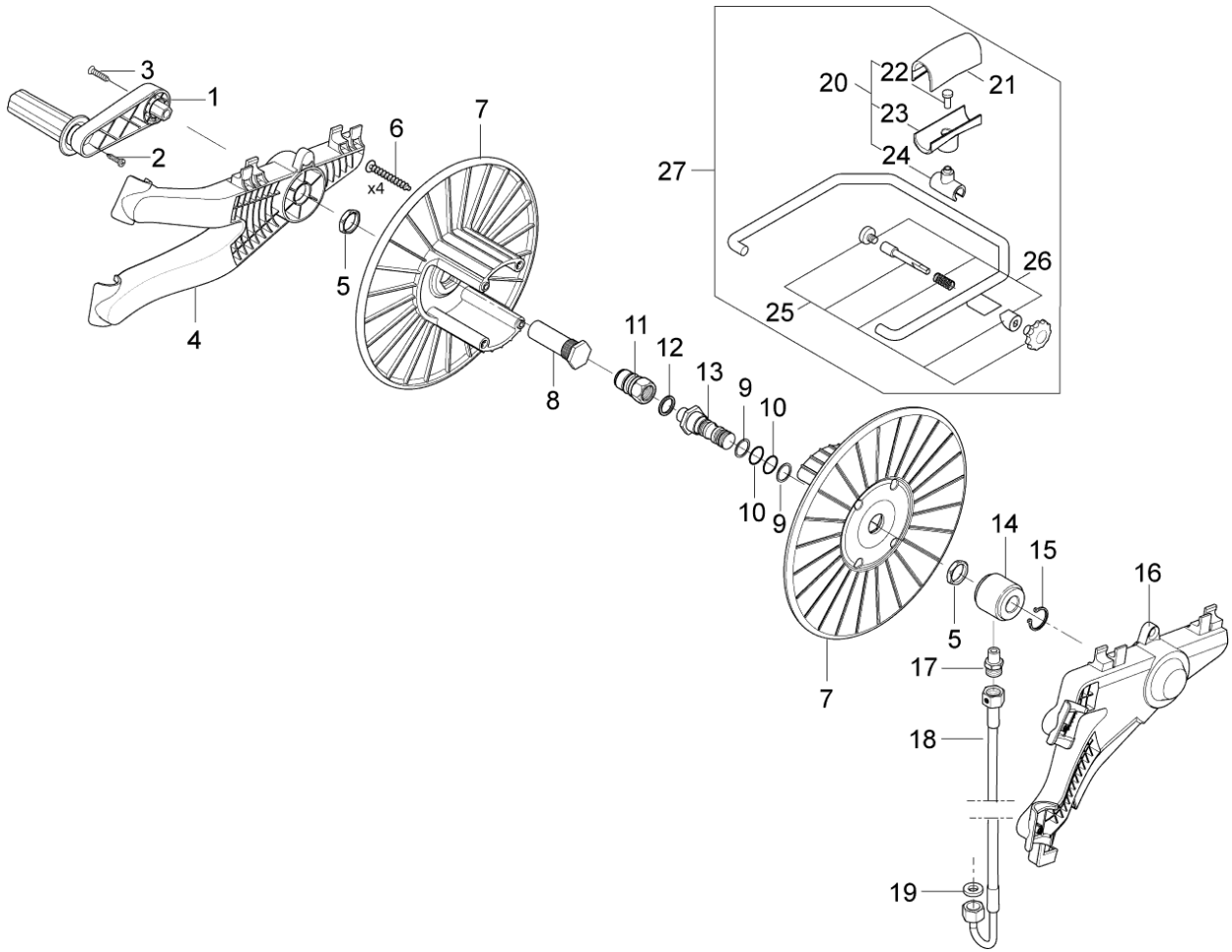


| Pos. | Artikel-Nr. | Menge | Variante | Notes |
|------|-------------|-------|--|-------|
| 0 | 101118144 | 1 | START RELAY KIT F. POSEIDON 5 1PH GB/AUS | [1] |
| 0 | 101118143 | 1 | START RELAY KIT F. POSEIDON 5-6-7 1PH US | [1] |
| 1 | 107141644 | 1 | E-BOX TOP F. 1-POS SWITCH | |
| 1 | 107141646 | 1 | Gehäuse Elektronik 1Schalter schwarz | |
| 1 | 107141645 | 1 | Gehäuse Elektronik 2Schalter schwarz | |
| 2 | 909100214 | 1 | Schalter GR 1 4 Kt | |
| 3 | 1814730 | 2 | Schraube 3,5x10 | |
| 4 | 301001000 | 1 | Ventil | |
| 5 | 301001906 | 1 | Verschlusskappe | |
| 6 | 106408243 | 1 | HOSE 1/4INCH TRANSPARENT - 5 METERS | |
| 7 | 107141648 | 1 | MANOMETER 0-300 BAR | |
| 8 | 107141650 | 1 | Halter | |
| 9 | 107141651 | 1 | Scheibe DIN125-A13 | |
| 10 | 107141696 | 1 | MANOMETER TUBE FFA MODELS | [2] |
| 10 | 107141653 | 1 | MANOMETER TUBE FA MODELS | |
| 11 | 909100204 | 1 | Drehknopf 6x5 blau | |
| 12 | 9868 | 1 | O-Ring 10x2,5 | |
| 13 | 28877 | 1 | Schalter | [3] |
| 13 | 301001058 | 1 | Schalter | [4] |
| 14 | 18274 | 1 | Senkschraube M4x12 | |
| 15 | 107141838 | 6 | SCHRAUBE K50X18 WN1451 SCHWARZ TORX 20 | |
| 16 | 103821922 | 1 | Abschlussplatte | |
| 17 | 107141633 | 1 | Klemmleiste | |
| 18 | 103821967 | 1 | Kabelführung WAGO281 800V 4MM2 | |
| 19 | 103821969 | 1 | Steckbrücke | |
| 20 | 103821968 | 1 | Endplatte WAGO 4MM2 | |
| 21 | 101406054 | 1 | Dichtung | |
| 22 | 107141654 | 1 | E-BOX BOTTOM DRILLED /CABLE/ | [5] |
| 22 | 107141706 | 1 | E-BOX BOTTOM DRILLED CABLE AND SWITCH | [6] |
| 22 | 107141665 | 1 | E BOX UNTERTEIL | |
| 22 | 107141655 | 1 | UNTERTEIL ELEKTRONIK-BOX | [7] |
| 23 | 107141666 | 1 | PCB POSEIDON 5-6-7 | |
| 24 | 103822314 | 1 | Schütz 100-C30KF10 | [8] |
| 24 | 103822308 | 1 | SCHÜTZ CJX2-D25 25A 400V 3P+NO | [9] |
| 24 | 103822303 | 1 | Schütz CJX2-D18 18A 400V 3P+NO | [10] |
| 24 | 63915 | 1 | Schütz 100-C30KF10 | [11] |
| 25 | 107141656 | 1 | Kabel | |
| 26 | 101117948 | 1 | Kondensator | [12] |
| 26 | 101117947 | 1 | Kondensator 100UF/450V | [13] |
| 27 | 107140967 | 1 | START RELAY RVA4N0C | [12] |
| 27 | 107140968 | 1 | START RELAY RVAH4AH0C | [12] |
| 28 | 40045 | 2 | Flachkopfschraube M4x30 | |
| 29 | 64580 | 1 | Drehknopf | |
| 30 | 301000293 | 1 | Drehschalter Stern-Dreieck | |
| 31 | 64773 | 1 | Hilfskontakt 100-SBL11 | |
| 32 | 107141730 | 1 | DISCHARGE RESISTOR 15KOHM/7W | [1] |
| 33 | 301000263 | 1 | Sicherung | |
| 34A | 301000407 | 1 | Netzleitung SJOW AWG10/3 | [14] |
| 34B | 301000253 | 1 | Netzkabel H07RN-F 4G1,5 | [15] |
| 34C | 301000834 | 1 | Anschlussleitung Europa | [16] |
| 34D | 301000337 | 1 | Netzkabel H07RN-F 4G2,5 | [17] |
| 34E | 301000384 | 1 | Netzkabel SOW AWG10/4X9 | [18] |
| 35 | 909100198 | 1 | Schnur Befestigung | [19] |
| 36 | 909100043 | 1 | Kabelverschraubung | [20] |
| 37 | 909100019 | 1 | Sechskantmutter M20x1,5 EN 50262 PA | [20] |
| 38 | 909100020 | 1 | Sechskantmutter M25x1,5 EN 50262 PA | [19] |
| 39 | 909100021 | 1 | Sechskantmutter M32 x1,5 EN 50262 PA | [21] |
| 40 | 909100016 | 1 | Kabelverschraubung M32x1 | [21] |
| 41 | 107141663 | 1 | Tülle | |

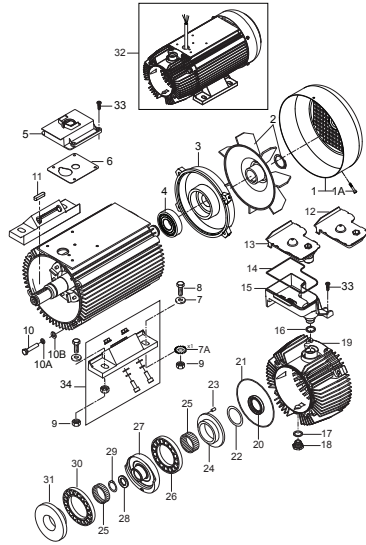
| Pos. | Artikel-Nr. | Menge | Variante | Notes |
|------|-------------|-------|------------|-------|
| 42 | 31000508 | 1 | O-RING NBR | |

Part Notes:

- [1] - 230/1/50 UK, 220-240/1/60 US
- [2] - Food
- [3] - 2-POS.
- [4] - 1-POS.
- [5] - 220-240/1/60 (6-52 US)
- [6] - 220/440/3/60 (6-73 US)
- [7] - 230;400/3/50 (6-65 NO)
- [8] - 220-240/1/60 (US)
- [9] - 400/3/50 EU
- [10] - 6-61 FFA 400/3/50 EU
- [11] - 230/400/3/50, 220/440-460/3/60
- [12] - 230/1/50 UK
- [13] - 220-240/1/60 US
- [14] - 6-52 FA 220-240/1/60 USA
STOCK COVERS GUARANTEE
- [15] - EU
- [16] - Sondi
- [17] - NO, EXP.
- [18] - 6-73 FA 220/460/3/60 USA
- [19] - M25
- [20] - M20
- [21] - M32



| Pos. | Artikel-Nr. | Menge | Variante | Notes |
|------|-------------|-------|--|-------|
| 0 | 106403143 | 1 | Schlauchrolle Satz | |
| 1 | 101118102 | 1 | Kurbel | |
| 2 | 107141838 | 1 | SCHRAUBE K50X18 WN1451 SCHWARZ TORX 20 | |
| 3 | 107141673 | 1 | Schraube M6x45 | |
| 4 | 107141674 | 1 | Halter | |
| 5 | 62696 | 1 | Sechskantmutter M24x1,5x | |
| 6 | 909100153 | 1 | Schraube 6x40 | |
| 7 | 301000775 | 1 | Trommel | |
| 8 | 107141675 | 1 | Achse | |
| 9 | 63792 | 2 | Stützring 16,26x2,18 | |
| 10 | 19620 | 2 | O-Ring 15,54x2,62 | |
| 11 | 1600493 | 1 | Anschlussstück | |
| 12 | 1801075 | 1 | Dichtring | |
| 13 | 107141676 | 1 | Anschlussstück | |
| 14 | 301000977 | 1 | Lagerbuchse | |
| 15 | 1802057 | 1 | Seegerring U 20 x1,2 | |
| 16 | 107141677 | 1 | Halter | |
| 17 | 54590 | 1 | Anschlussstück | |
| 18 | 107141678 | 1 | Hochdruckschlauch | |
| 19 | 65466 | 1 | Dichtring 8,0x15,0x1,0 DI | |
| 20 | 101118103 | 1 | Schlauchführung | |
| 21 | 301000674 | 1 | Schlauchführung | |
| 22 | 10028 | 1 | Ejotschraube KA50x14 WN1411 verz | |
| 23 | 301000676 | 1 | Schlauchführung | |
| 24 | 107141679 | 1 | Schlauchführung | |
| 25 | 101118106 | 1 | Satz Befestigungsteile | |
| 26 | 101118111 | 1 | Satz Befestigungsteile | |
| 27 | 101118105 | 1 | Schlauchführung | |

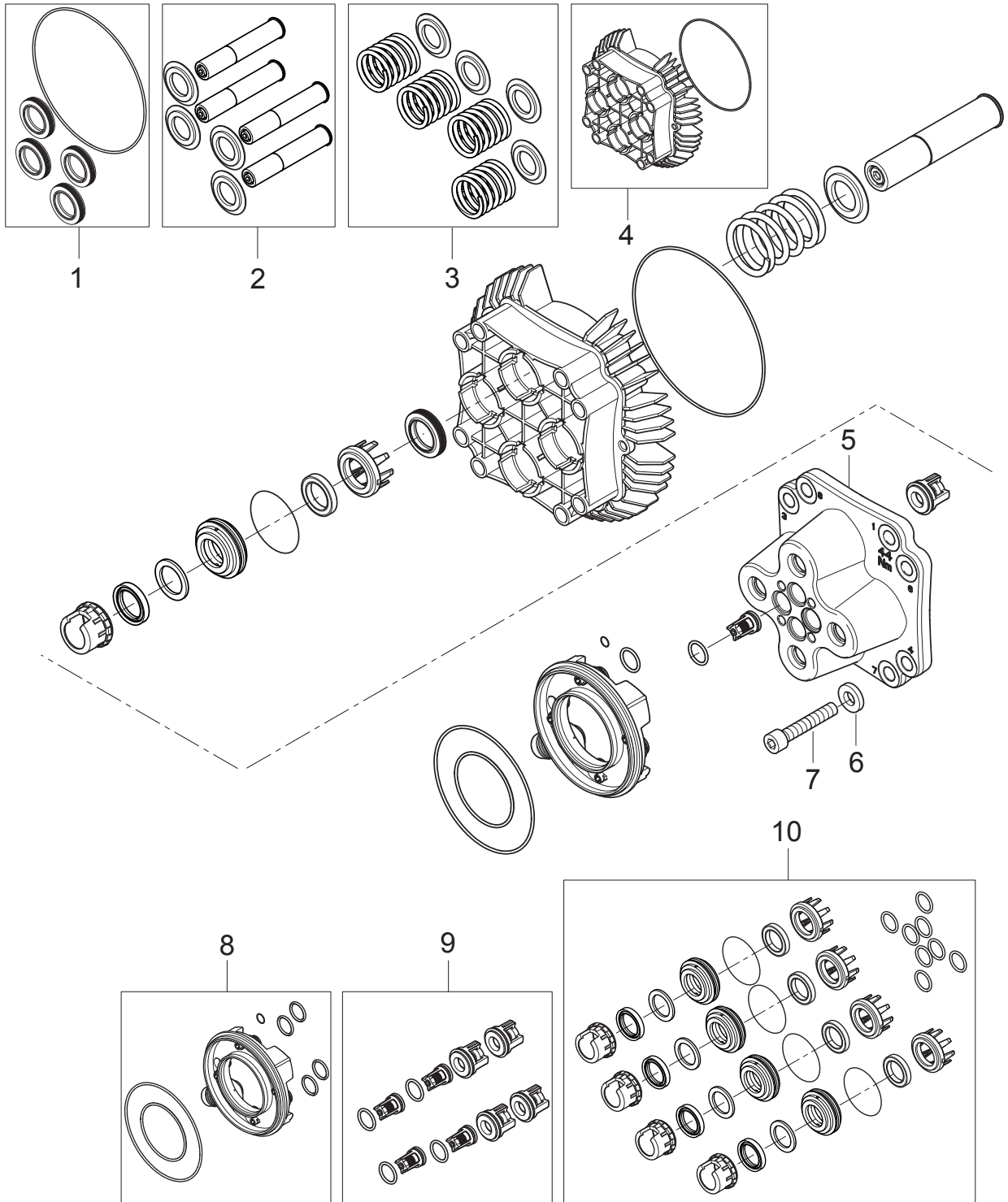


| Pos. | Artikel-Nr. | Menge | Variante | Notes |
|------|-------------|-------|--|-------|
| 00 | 5218433 | 1 | Pumpenöl 150 1x1l | |
| 1 | 107144126 | 1 | Lüfterhaube | |
| 1A | 31000488 | 1 | Linsenschraube DIN7985-M5x8 | |
| 2 | 107144125 | 1 | Lüfterrad | |
| 3 | 31000148 | 1 | Lagerdeckel | |
| 4 | 31000149 | 1 | Lager RF | |
| 5 | 107140876 | 1 | ABDECKUNG E BOX AUF MOTOR | |
| 6 | 107140875 | 1 | Dichtung | |
| 7 | 2767 | 7 | Scheibe 10,5x2,0 ISO 7090 zn | |
| 7A | 107140931 | 1 | TOOTHED WASHER M10 SS | [1] |
| 7A | 10204 | 1 | Fächerscheibe 10,5 -A- DIN 6798 FSt/zn | |
| 8 | 8927 | 4 | Zylinderschraube, | |
| 9 | 1800465 | 4 | Mutter M10 | |
| 9 | 1802966 | 4 | Mutter M10 | [1] |
| 10 | 6863 | 4 | Zylinderschraube M8x 35 ISO4762 8.8 zn | |
| 10A | 2798 | 8 | Federring 8 | |
| 10B | 2762 | 8 | Scheibe 8,4x1,6 ISO 7089 zn | |
| 11 | 107140880 | 1 | KEY 6X6X32 A DIN 6885 | |
| 12 | 107140877 | 1 | Deckel | |
| 13 | 107140883 | 1 | Sensor Ölbehälter | |
| 14 | 101406054 | 1 | Dichtung | |
| 15 | 107140879 | 1 | Öltank | |
| 16 | 107140882 | 1 | O-Ring 15,0 x 3,0 | |
| 17 | 106408208 | 1 | KUPFERDICHTRING 17X25X1.5 | |
| 18 | 6150400 | 1 | Verschlusspfropfen | |
| 19 | 101118067 | 1 | Lagerdeckel | |
| 20 | 3001146 | 1 | Wellendichtring | |
| 21 | 106408215 | 1 | O-RING 126.71 X 1.78 NBR 72 | |
| 22 | 6100995 | 1 | Scheibe 53x40,5x1,25 | |
| 23 | 6100996 | 1 | Kegelstift | |
| 24 | 107120703 | 1 | Lagerscheibe Motorseitig | |
| 25 | 3200656 | 2 | Nadellager K40x45x17 | |
| 26 | 3200615 | 1 | Axialrollenlager | |
| 27 | 106408212 | 1 | Taumelscheibe Poliert 5,8 DEG | [2] |
| 27 | 106408211 | 1 | WOBBLE DISC POLISHED 5.05DEG | [3] |
| 27 | 106408210 | 1 | WOBBLE DISC POLISHED 4.3DEG | [4] |
| 27 | 106408213 | 1 | Taumelscheibe 7.05DEG | [5] |
| 28 | 106408204 | 1 | Scheibe D32 x D20.1 x 3 Stahl | |
| 29 | 1802057 | 1 | Seegerring U 20 x1,2 | |
| 30 | 106408206 | 1 | CYL. ROLLER BEARING K81 212-TV AX. D11 | |
| 31 | 106408207 | 1 | BEARING TRACK THRUST | |
| 32 | 106408201 | 1 | MOTOR 5.2KW. 1X230 | [6] |
| 32 | 106408202 | 1 | MOTOR 7.5KW. 3X230/400-220/440 | [7] |
| 32 | 106408200 | 1 | MOTOR 6.8KW. 3X230/400-220/440 | [8] |
| 32 | 106408203 | 1 | MOTOR 4.5KW. 3X230/400-220/440 | [9] |
| 32 | 106408185 | 1 | MOTOR NA6 7KW/200/50/3PH | [10] |
| 33 | 107140881 | 6 | SCREW M5X12 DIN 7985 TORX | |
| 34 | 106408249 | 2 | FEET FOR MOTOR | |

Part Notes:

- [1] - Food
- [2] - 6-65 FA – MC 6P 180/1300 FA
- [3] - 6-64 FA – MC 6P 250/1100 FA
POSEIDON 6-56 FA / MC 6P 200/1050 FA, 6-73 US
6-65 FA – MC 6P 180/1300 FA
- [4] - 6-52 FA – MC 6P 150/1140 FA 220-240/1/60 USA,
6-64 FA – MC 6P 250/1100 FA 220-230/440-460/3/60EXP
MC 6P-230/1100 FA 200/3/60 JP

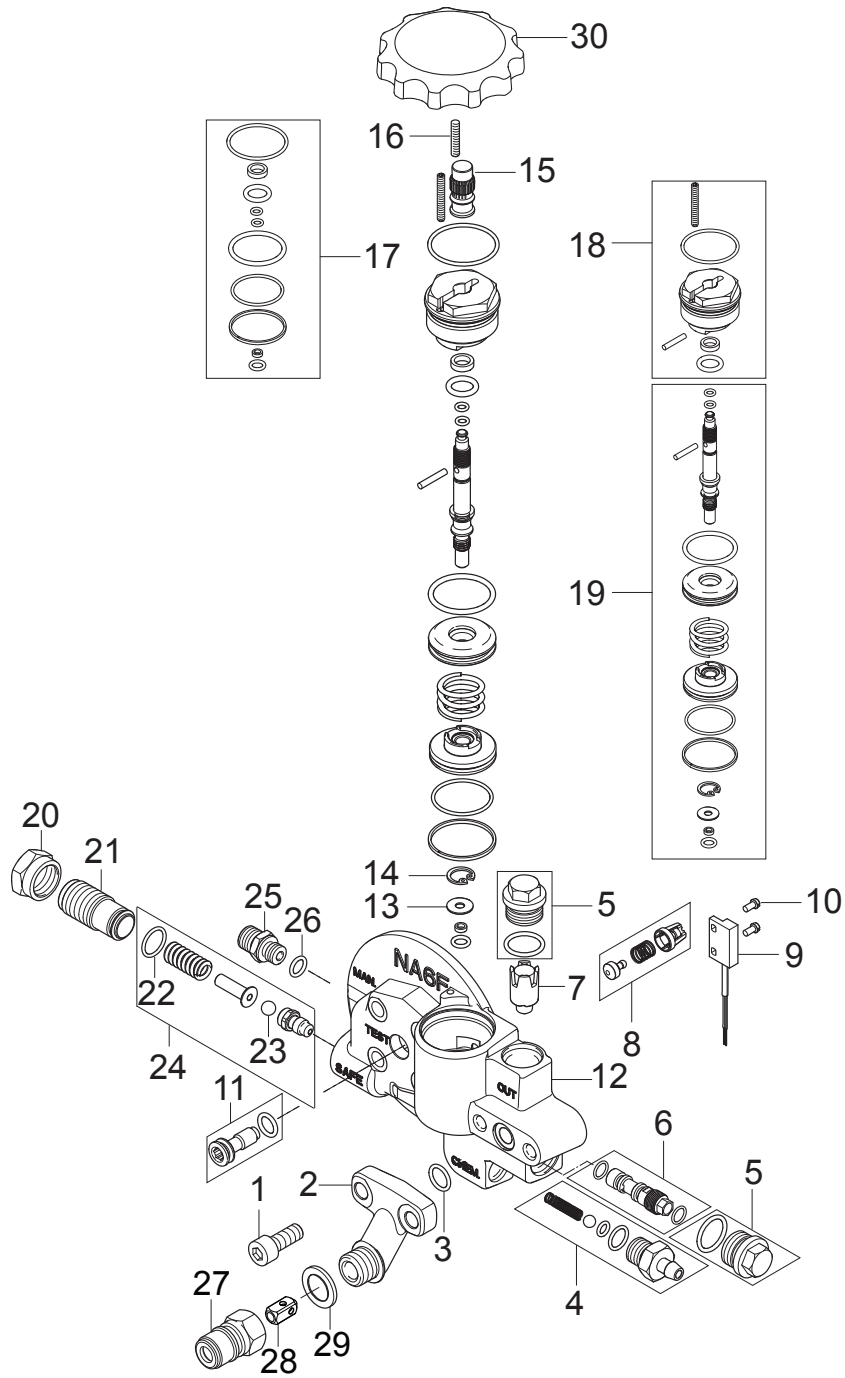
- [5] - 6-61 FFA – MC 6P 100/1610 FFA
6-79 FA – MC 6P 170/1610 FA
- [6] - 6-52 FA – MC 6P 150/1140 FA 220-240/1/60 USA
- [7] - 6-64 FA – MC 6P 250/1100 FA 400/3/50-60
6-73 FA 220/400/3/60,
6-79 FA – MC 6P 170/1610 FA 400/3/50
- [8] - 6-65 FA – MC 6P 180/1300 FA 230;400/3/50
- [9] - 6-61 FFA – MC 6P 100/1610 FFA 400/3/50 EU
- [10] - MC 6P-230/1100 FA 200/3/50-60 JP



| Pos. | Artikel-Nr. | Menge | Variante | Notes |
|------|-------------|-------|--|-------|
| 1 | 101118057 | 1 | SEAL KIT FOR CYLINDER BLOCK NA6 | |
| 2 | 101118066 | 1 | Kolbensatz NA6 Pumpe | [1] |
| 2 | 101118065 | 1 | Kolbensatz mit Markierung NA6 6-79 6-61F | [2] |
| 3 | 101118059 | 1 | Rückhohlfedern Satz NA& Pumpe | |
| 4 | 101118060 | 1 | Zylinderblock NA6 Pumpe | |
| 5 | 106408197 | 1 | Pumpenkopf D24 NA6 | |
| 6 | 2767 | 1 | Scheibe 10,5x2,0 ISO 7090 zn | |
| 7 | 1813393 | 1 | Schraube M10 x100 8.8 | |
| 8 | 101118063 | 1 | Ansaugrohr Satz NA6 | |
| 9 | 101118062 | 1 | OUTLET/INLET VALVE KIT - NA6 | |
| 10 | 101118061 | 1 | WATER SEAL NA6 HEAVY DUTY HOT WATER KIT | [3] |
| 10 | 101118155 | 1 | WASSER DICHTUNGSSATZ - NA6 | [4] |

Part Notes:

- [1] - 6-52, 6-64, 6-65, 6-73
- [2] - 6-61, 6-79
- [3] - Up to Serial no.:3520140500559
TSB-PPW-2014-007 NA 6 Pump- Water leak
- [4] - From Serial no.:3520140500559
Production date: 2014.01.31.
TSB-PPW-2014-007 NA 6 Pump- Water leak



| Pos. | Artikel-Nr. | Menge | Variante | Notes |
|------|-------------|-------|--|-------|
| 1 | 106408193 | 2 | SCREW M8 X 20 8.8 DIN 912 FZB | |
| 2 | 106408192 | 1 | Ausgangsfitting Axial NA5 Pumpe | |
| 3 | 106408191 | 1 | O-Ring 10,82x1,78 NBR 70 | |
| 4 | 1119406 | 1 | Rückschlagventil | |
| 5 | 107144154 | 2 | OIL PLUG M18X1.5 WITH O-RING /SH90/ | |
| 6 | 107144112 | 1 | Injektor | [1] |
| 6 | 107140794 | 1 | Venturi Düse D2.3 rot | [2] |
| 7 | 101118055 | 1 | MAGNET AND HOUSE FOR FLOW SWITCH-KIT NA6 | |
| 8 | 101118056 | 1 | Rückschlagventil | |
| 9 | 106408216 | 1 | Mikroschalter | |
| 10 | 101118033 | 2 | SCREW M3X6 BRASS | |
| 11 | 107144137 | 1 | Stopfen | |
| 12 | 106408194 | 1 | UNLOADER FA NA6 | |
| 13 | 106408196 | 1 | WASHER D12.95 X D4.6 X 0.9 BRASS | |
| 14 | 106408195 | 1 | RETAINING RING SIZE 13 DIN472 | |
| 15 | 106408189 | 1 | NUT M8 X 1 FOR UNLOADER VALVE FA | |
| 16 | 106408188 | 1 | DIN 913 M4X20 POINTED SCREW | |
| 17 | 101118050 | 1 | SEALING KIT FOR NA6 | |
| 18 | 101118051 | 1 | PLUG FOR UNLOADER VALVE FA - KIT NA6 | |
| 19 | 101118049 | 1 | CONTROL UNIT - KIT NA6 | |
| 20 | 6100928 | 1 | Mutter | |
| 21 | 6100940 | 1 | Einstellschraube | |
| 22 | 3001070 | 1 | O-Ring 13,1 x 1,6 SMS | |
| 23 | 1802644 | 1 | Kugel 7mm. | |
| 24 | 101118118 | 1 | OPENING VALVE REP. KIT | |
| 25 | 1821 | 1 | Verbindungsstück | |
| 26 | 3001740 | 1 | O-RING 7.66X1.78 NITRIL 70SH | |
| 27 | 1600493 | 1 | Anschlusstück | |
| 27 | 1603101 | 1 | Nippel Schnellkupplung | [3] |
| 28 | 6101038 | 1 | Kolben | |
| 29 | 1801075 | 1 | Dichtring | |
| 30 | 107140823 | 1 | Drehgriff | |

Part Notes:

- [1] - 6-64 FA, 6-65 FA
- [2] - 6-79 FA, 6-61 FA
- [3] - INOX

| Pos. | Artikel-Nr. | Menge | Variante | Notes |
|------|-------------|-------|--|-------|
| 1 | 106403122 | 1 | ERGO 2000 STANDARD W. HOSE SWIVEL | [1] |
| 1 | 106403154 | 1 | ERGO 2000 SPRAY GUN W/O LOGO ACC. | [2] |
| 2 | 106403010 | 1 | TORNADO PLUS 1120 Geb. o. Düse | [3] |
| 3 | 101119760 | 1 | HD-Düse 1300 TORNADO | [4] |
| 3 | 101119747 | 1 | HD-Düse 0680 TORNADO | [5] |
| 3 | 101119748 | 1 | HD-Düse 0700 TORNADO | [6] |
| 3 | 301150005 | 1 | HD-Düse 0475 TORNADO | [7] |
| 3 | 101117655 | 1 | TORNADO DÜSE 0950 Rosa | [8] |
| 4 | 106403078 | 1 | TURBOHAMMER PLUS 1130 STR./NOZ. W11 1000 | [9] |
| 4 | 48872 | 1 | Rotordüse 050 | [7] |
| 4 | 301001629 | 1 | Reparatur Set Turbohammer | [8] |
| 5 | 1402064 | 1 | Hochdruckschlauch 15m 3/8 DN10 max 150C | [10] |
| 5 | 6101766 | 1 | HD-Schlauch DN10x10m/3/8 | [10] |
| 5 | 6101767 | 1 | HD-Schlauch DN10x10m SL | [10] |
| 5 | 1402072 | 1 | HD-Schlauch DN10x20m | [10] |
| 6 | 106403145 | 1 | Lenkrollen-Set | [11] |
| 7 | 106403142 | 1 | Sandfilter-Set f. POS-Mod | [12] |
| 8 | 106403144 | 1 | Wasservorlaufbehälter Poseidon 5,6,7,8 | [13] |
| 8 | 106403165 | 1 | Sandfilter-Set f. POS | [14] |
| 9 | 106403160 | 1 | Kranaufhängung bis 1000kg | [15] |
| 10 | 106403162 | 1 | Reinigungsmitteltank | [16] |
| 11 | 106403143 | 1 | Schlauchrolle Satz | [17] |
| 12 | 101118105 | 1 | Schlauchführung | [17] |

Part Notes:

- [1] - ERGO 2000 Spray handle
- [2] - UNITOR
- [3] - TORNADO PLUS lance
- [4] - 6-61
- [5] - 6-52 US, 7-67
- [6] - 6-65
- [7] - 6-64
- [8] - 6-79
- [9] - 6-79
TURBOHAMMER PLUS lance
- [10] - HOSES Overview
- [11] - 106403145 - Front wheel kit
- [12] - SANDFILTER KIT POSEIDON 5-6-7 from September 2012
- [13] - 106403144 - WATER BRAKE TANK POSEIDON 5-6-7 from September 2012
- [14] - 106403165 - SANDFILTER FOR WBT POSEIDON 5-6-7 from September 2012
- [15] - Crane roundsling 1000kg 50cm
- [16] - 106403162 - Detergent tank with safety cap
- [17] - Hose reel

| Pos. | Artikel-Nr. | Menge | Variante | Notes |
|------|-------------|-------|--|-------|
| | 101118106 | 1 | Satz Befestigungsteile | |
| | 101118111 | 1 | Satz Befestigungsteile | |
| | 101118102 | 1 | Kurbel | |
| | 101118104 | 1 | Satz Befestigungsteile | |
| | 107141632 | 1 | KABELHALTERUNG | |
| | 107141667 | 1 | Sicherungsring | |
| | 107141648 | 1 | MANOMETER 0-300 BAR | |
| | 107141679 | 1 | Schlauchführung | |
| | 107141633 | 1 | Klemmleiste | |
| | 107141627 | 1 | SCREW K50X40 T20 | |
| | 107141635 | 1 | Reinigungsmitteltank | |
| | 107141664 | 1 | Deckel | |
| | 107141615 | 1 | Stützfuß | |
| | 107141629 | 1 | Schlauchhalterung | |
| | 107141650 | 1 | Halter | |
| | 107141634 | 1 | Hinterteil | |
| | 101118103 | 1 | Schlauchführung | |
| | 107141668 | 1 | Wassereinlass | |
| | 107141630 | 1 | Lanzenhalterung NA | |
| | 107141653 | 1 | MANOMETER TUBE FA MODELS | |
| | 107141676 | 1 | Anschlussstück | |
| | 101118105 | 1 | Schlauchführung | |
| | 101118101 | 1 | Griffschale | |
| | 107141663 | 1 | Tülle | |
| | 107141690 | 1 | Linsenschraube DIN7985-M5x12-8.8 | |
| 0A | 101117926 | 1 | Sieb | [1] |
| 0A | 101118050 | 1 | SEALING KIT FOR NA6 | [1] |
| 0A | 101118061 | 1 | WATER SEAL NA6 HEAVY DUTY HOT WATER KIT | [1] |
| 0A | 101118055 | 1 | MAGNET AND HOUSE FOR FLOW SWITCH-KIT NA6 | [1] |
| 0A | 101118056 | 1 | Rückschlagventil | [1] |
| 0A | 101118062 | 1 | OUTLET/INLET VALVE KIT - NA6 | [1] |
| 0A | 101118057 | 1 | SEAL KIT FOR CYLINDER BLOCK NA6 | [1] |
| 0B | 101118059 | 1 | Rückhohlfedern Satz NA& Pumpe | [2] |
| 0B | 101118066 | 1 | Kolbensatz NA6 Pumpe | [2] |
| 0B | 106408216 | 1 | Mikroschalter | [2] |
| 0C | 31000151 | 1 | Hinteres Lager EME | [3] |
| 0C | 106408210 | 1 | WOBBLE DISC POLISHED 4.3DEG | [3] |
| 0C | 3200656 | 1 | Nadellager K40x45x17 | [3] |
| 0C | 106408213 | 1 | Taumelscheibe 7.05DEG | [3] |
| 0C | 101117948 | 1 | Kondensator | [3] |
| 0C | 106408212 | 1 | Taumelscheibe Poliert 5,8 DEG | [3] |
| 0C | 101118049 | 1 | CONTROL UNIT - KIT NA6 | [3] |
| 0C | 107141666 | 1 | PCB POSEIDON 5-6-7 | [3] |
| 0C | 106408202 | 1 | MOTOR 7.5KW. 3X230/400-220/440 | [3] |
| 0C | 103822303 | 1 | Schütz CJX2-D18 18A 400V 3P+NO | [3] |
| 0C | 106408200 | 1 | MOTOR 6.8KW. 3X230/400-220/440 | [3] |
| 0C | 107120703 | 1 | Lagerscheibe Motorseitig | [3] |
| 0C | 106408211 | 1 | WOBBLE DISC POLISHED 5.05DEG | [3] |
| 0C | 301001058 | 1 | Schalter | [3] |
| 0C | 103822314 | 1 | Schütz 100-C30KF10 | [3] |
| 0C | 107140967 | 1 | START RELAY RVA4N0C | [3] |
| 0C | 3200615 | 1 | Axialrollenlager | [3] |
| 0C | 106408189 | 1 | NUT M8 X 1 FOR UNLOADER VALVE FA | [3] |
| 0C | 106408201 | 1 | MOTOR 5.2KW. 1X230 | [3] |
| 0C | 301000402 | 1 | Widerstand 15 kΩ | [3] |
| 0C | 31000149 | 1 | Lager RF | [3] |
| 0C | 106408203 | 1 | MOTOR 4.5KW. 3X230/400-220/440 | [3] |
| 0C | 64773 | 1 | Hilfskontakt 100-SBL11 | [3] |
| 0C | 101118067 | 1 | Lagerdeckel | [3] |

| Pos. | Artikel-Nr. | Menge | Variante | Notes |
|------|-------------|-------|--------------------------------------|-------|
| 0C | 101118063 | 1 | Ansaugrohr Satz NA6 | [3] |
| 0C | 101118051 | 1 | PLUG FOR UNLOADER VALVE FA - KIT NA6 | [3] |
| 0C | 301000263 | 1 | Sicherung | [3] |
| 0C | 103822308 | 1 | SCHÜTZ CJX2-D25 25A 400V 3P+NO | [3] |

Part Notes:

- [1] - A
- [2] - B
- [3] - C

