



07351-5758060

kontakt@nilfisk-alto-shop.com



**Preisabfrage bzw. Bestellungen der Artikel im Shop unter**

**[www.nilfisk-alto-shop.com](http://www.nilfisk-alto-shop.com)**

**einfach die Artikelnummer in die Suchmaske eingeben**

**(Bitte die Artikelnummer ohne Leerzeichen eingeben)**

# PARTS LIST

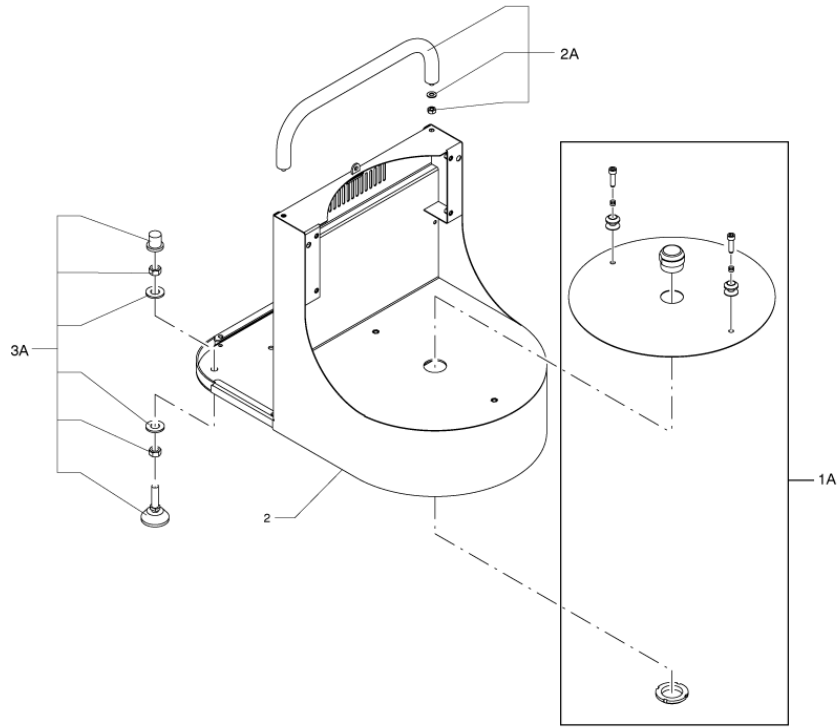


2021.10.08

# TABLE OF CONTENTS

---

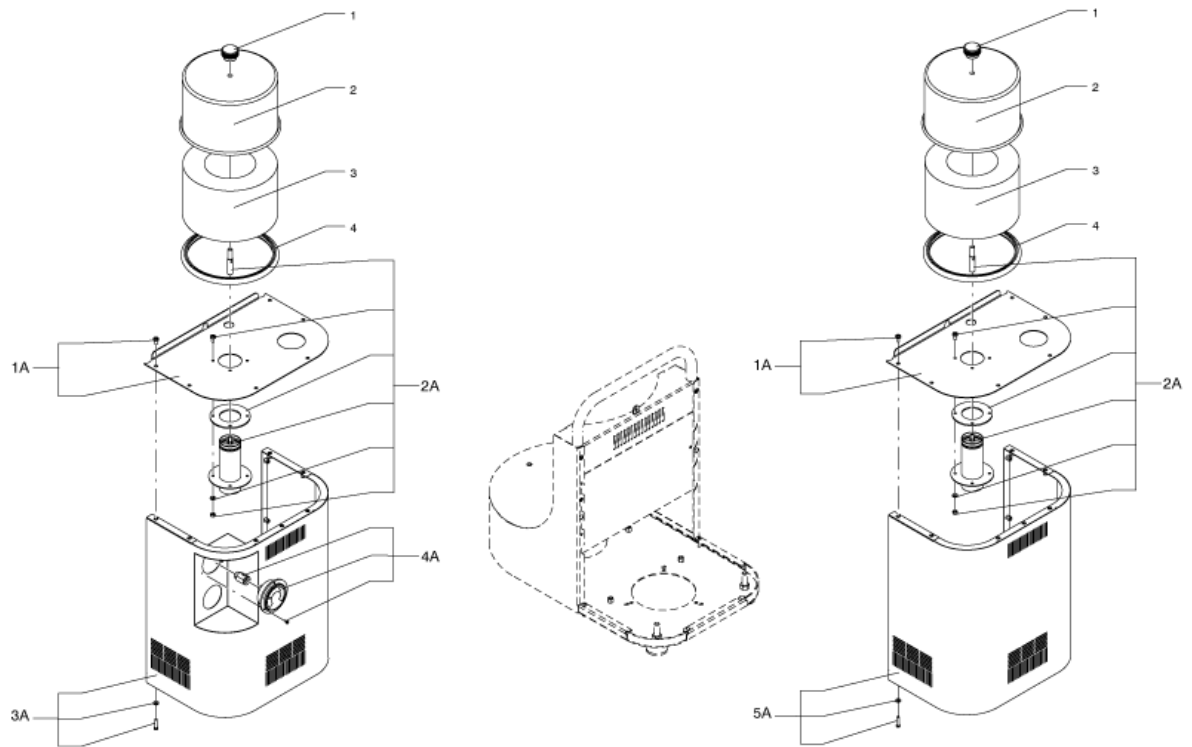
L183 - 1 - CAR .....	1
L183 - 2 - CAR .....	3
L183 - 3 - CONTAINER UNIT .....	5
L183 - 4 - FILTER GROUP .....	7
L183 - 5 - SHAKER UNIT .....	9
L183 - 6 - SUCTION UNIT .....	11
L183 - 7 - ELECTRIC SYSTEM .....	13
L183 - 8 - ELECTRIC SYSTEM .....	15
L183 - 9 - ABSOLUTE FILTER .....	17
OPTIONALS .....	19



Pos.	Artikel-Nr.	Menge	Variante	Notes
01A	4089100322	1	CONTAINER FIXING KIT	
01A	4089100348	1	SS CONTAINER FIXING KIT	[1]
02	4083600729	1	MODULAR BASE HORIZONTAL R9003 MOD.VHW	
02	4083600737	1	MODULAR BASE HORIZONTAL SS MOD.VHW	[1]
02A	4089100323	1	HANDLE KIT	
02A	4089100347	1	SS HANDLE KIT	[1]
03A	4089100324	1	Fußkit einstellbar	
03A	4089100349	1	SS ADJUSTABLE FEET KIT	

## Part Notes:

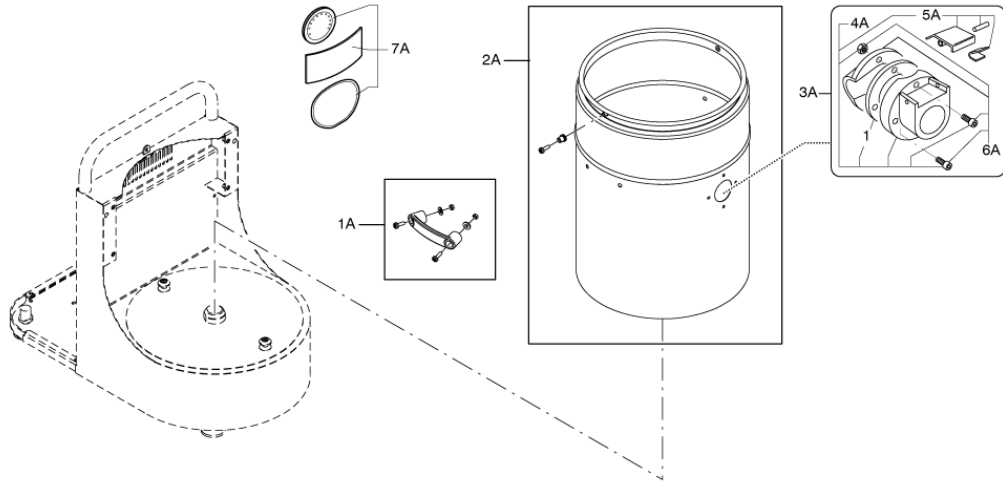
[1] - CONTACT PM IN ZOCCA



Pos.	Artikel-Nr.	Menge	Variante	Notes
01	4084001146	1	Sterngriff ohne Loch	
01A	4089100350	1	SS CARTER TOP CLOSURE KIT	
01A	4089100342	1	CARTER TOP CLOSURE KIT	
02	4083000689	1	DIFFUSER CONTAINER D220x142 SS MOD.VHW	
02	4083000681	1	DIFFUSER CONTAINER D220x142 R9003 M.VHW	
02A	4089100351	1	SS ABSOLUTE FILTER ASSEMBLY KIT	
02A	4089100333	1	ABSOLUTE FILTER ASSEMBLY KIT	
03	4081701054	1	Schalldämm Kit	
03A	4089100343	1	BOTTOM CLOSURE COVER KIT	
03A	4089100352	1	SS BOTTOM CLOSURE COVER KIT	[1]
04	Z58 17088	1	Dichtung Silikon zu CFM	
04A	4089100459	1	3000 VACUUM GAUGE KIT	
05A	4089100388	1	CARTER BOTTOM CLOSURE KIT	
05A	4089100400	1	SS CARTER BOTTOM CLOSURE KIT	

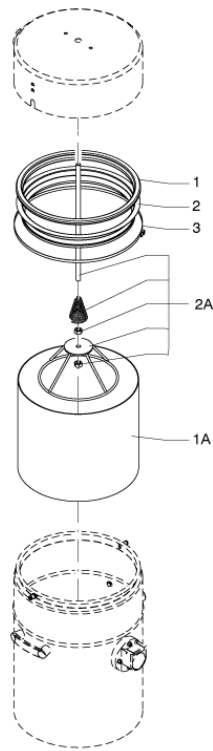
## Part Notes:

[1] - CONTACT PM IN ZOCCA

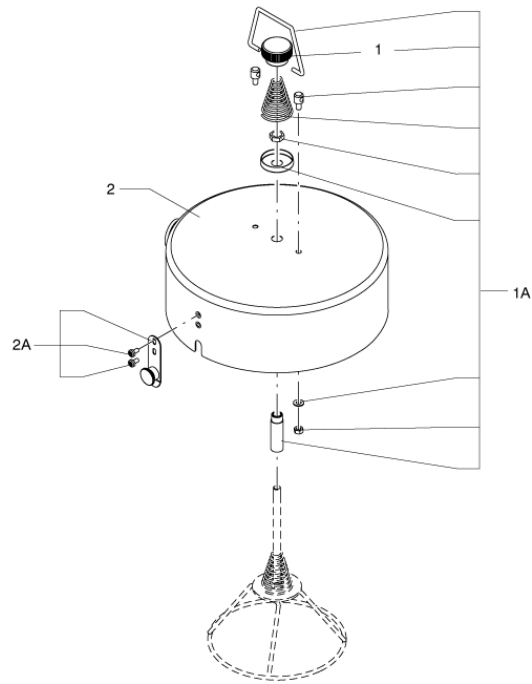




Pos.	Artikel-Nr.	Menge	Variante	Notes
01	Z8 17005	1	Anschlussdichtung D50	
01A	4089100325	1	HANDLE KIT	
02A	4089100326	1	CONTAINER KIT	
02A	4089100335	1	SS CONTAINER KIT	
03A	40000393	1	Kesselanschluß D50	
03A	40000394	1	Edelstahl-Anschluss-KitInox D50	
04A	40000318	1	KIT INLET FE D50	
04A	4089100280	1	D50 INLET SS KIT	
04A	4089100928	1	Umrüstsatz D50 auf ATEX kpl.	
05A	40000320	1	Arretierung f. Kessel-	
06A	40000392	1	Deflektor Kit	
06A	40000391	1	Deflektorkit D50	
07A	4089100327	1	LABEL KIT	



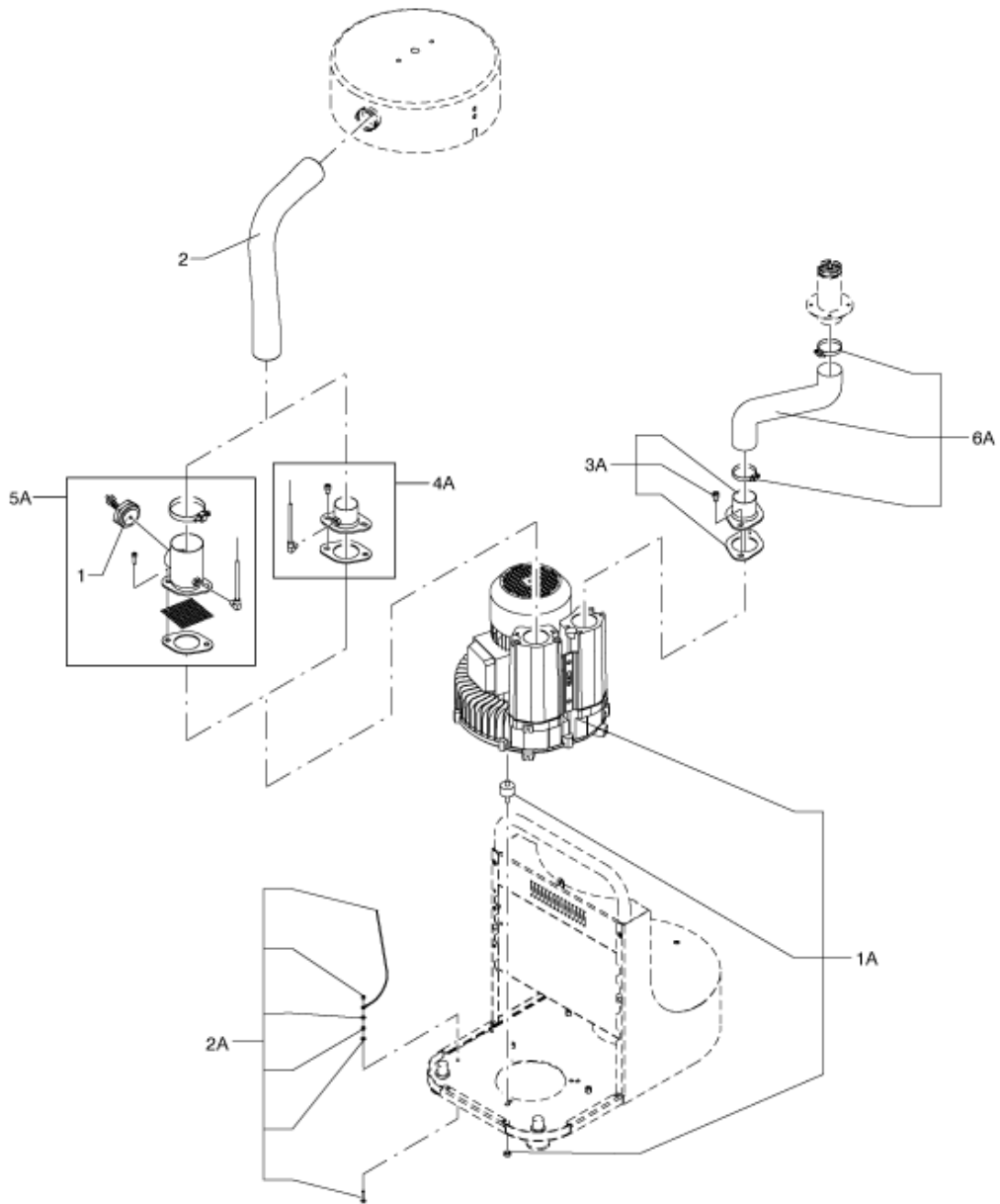
Pos.	Artikel-Nr.	Menge	Variante	Notes
01	4081701040	1	Ringichtung PF D350 SBR NEROM.VHW	
01	4081701041	1	Dichtung D 360 schwarz Nilfisk 3156 / 1	
01A	40000379	1	Taschenfilter Ø360mm Polyester	
02	4081500229	1	FILTER HOLDER RING D350 SSMOD.VHW310-311	
02	4081500220	1	FILTER HOLDER RING D350 FEMOD.VHW310-311	
02A	4089100336	1	SS FILTER-SHAKER CAGE KIT	
02A	4089100328	1	FILTER-SHAKER CAGE KIT	
03	Z8 18078	1	Filter block ¥ 360	
03	4081801385		FILTER BLOCK TIE D360 SS AISI304	



---

Pos.	Artikel-Nr.	Menge	Variante	Notes
01	4084001145	1	Sterngriff ohne Loch	
01A	4089100337	1	Filterrüttler-Kit SS	
01A	4089100329	1	FILTER SHAKER KIT	
02	4083101200	1	COVER D360 SS MAN.SHAKER MOD.VHW310-311	
02	4083101132	1	COVER D360 R9003 MAN.SHAKER M.VHW310-311	
02A	4089100330	1	CAP CLOSURE LEVER KIT	

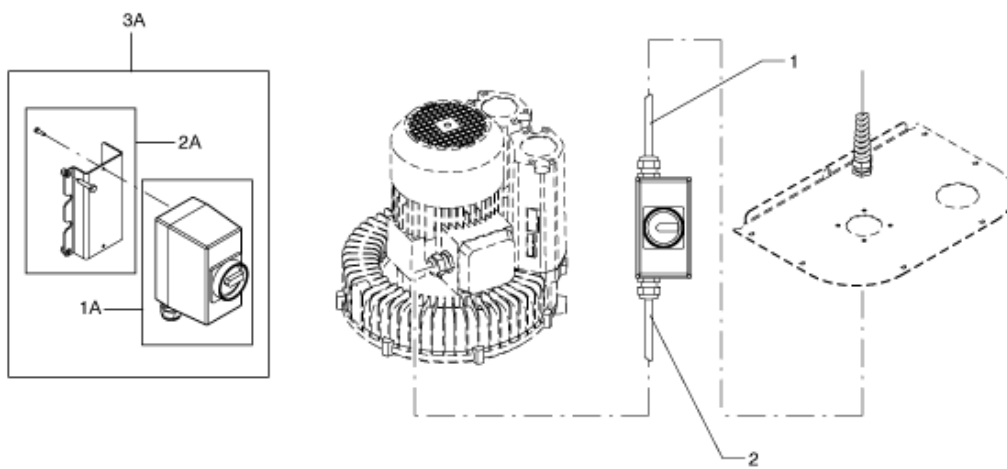
---



Pos.	Artikel-Nr.	Menge	Variante	Notes
01	32400363	1	Unterdrucksicherheits-	
01A	4089100331	1	Seitenkanalverdichter 1,5kW VHW360	
02	4082400236	1	HOSE D50 + SLEEVES D50 L560 M.VHW310-311	
02A	40000877	1	GROUND CABLE KIT	[1]
03A	40000326	1	Flansch D50	
04A	40000327	1	KIT SUCTION CONNECTION D50	
05A	4089100338	1	SUCTION CONNECTION KIT	
06A	4089100332	1	PIPE KIT	

## Part Notes:

[1] - CONTACT PM IN ZOCCA

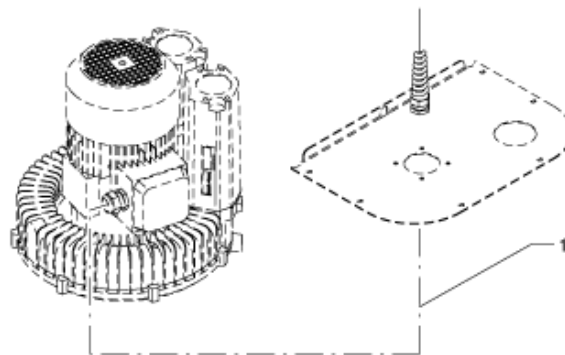




Pos.	Artikel-Nr.	Menge	Variante	Notes
01	4089100344	1	POWER CABLE KIT	
01	4089100345	1	5PP POWER CABLE KIT	
01A	4089100339	1	ELECTRIC BOX KIT	[1]
02	Z8 391079	1	Kabel	
02A	4089100340	1	ELECTRIC BOX SUPPORT KIT	[2]
03A	4089100341	1	ELECTRIC BOX PLUS SUPPORT KIT	[1]

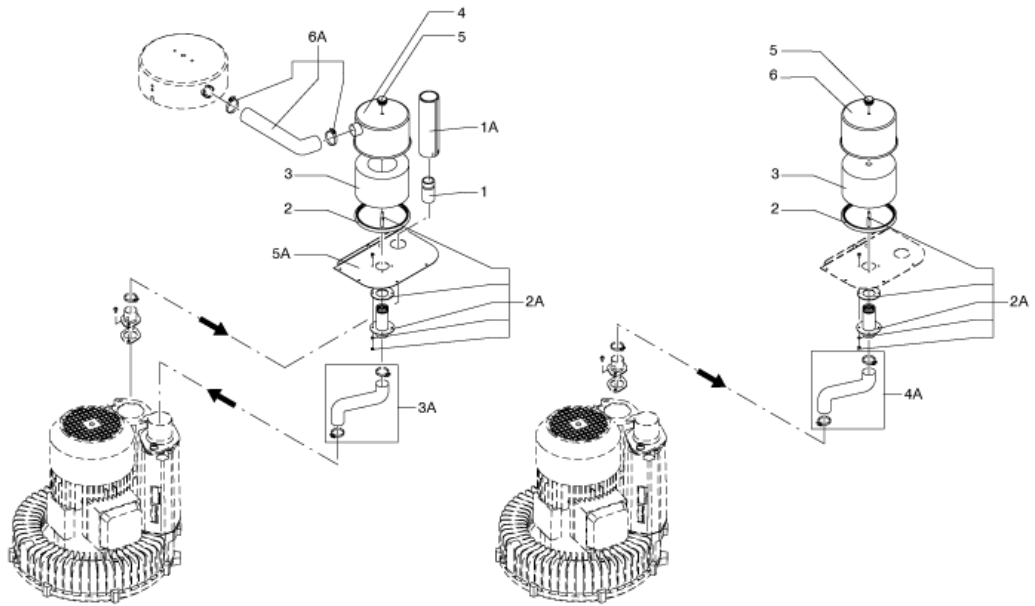
## Part Notes:

- [1] - CONTACT PM IN ZOCCA-CHECK EC
- [2] - CONTACT PM IN ZOCCA



---

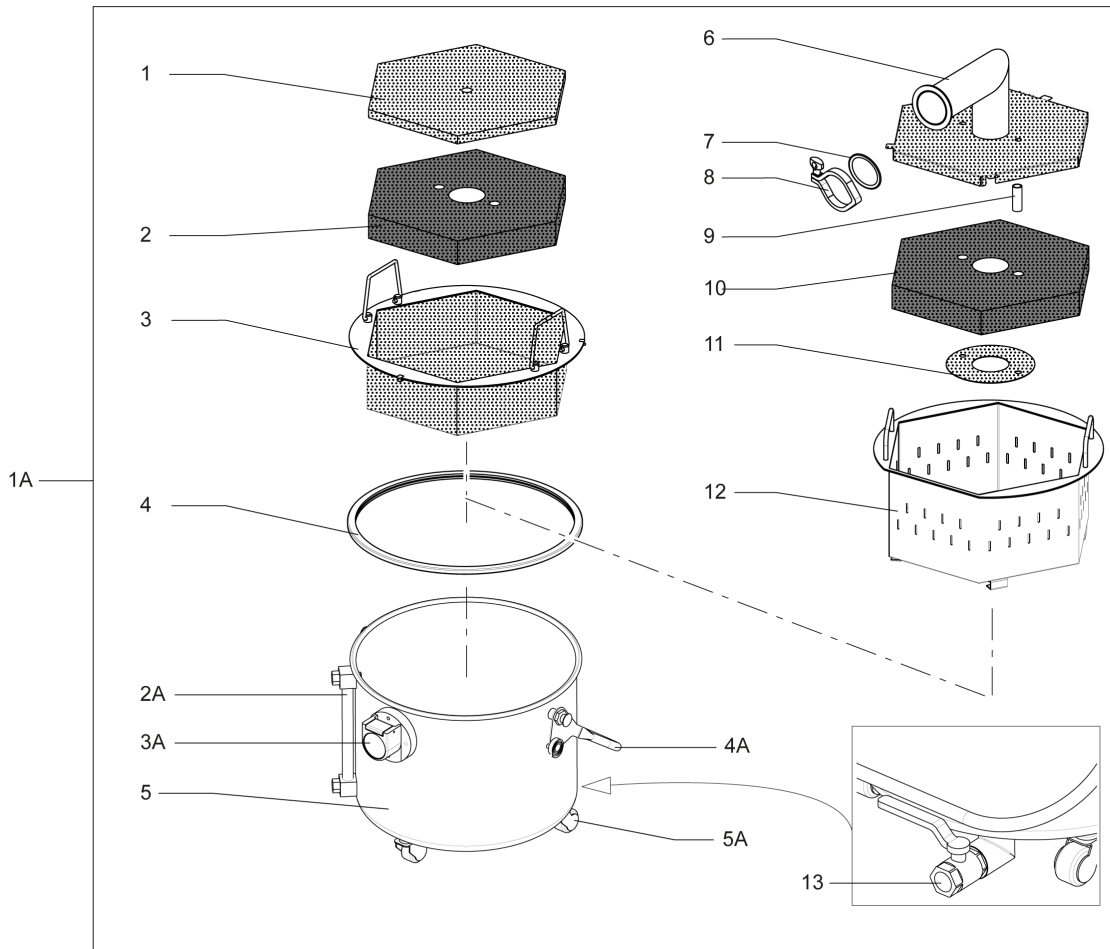
<b>Pos.</b>	<b>Artikel-Nr.</b>	<b>Menge</b>	<b>Variante</b>	<b>Notes</b>
01	4089100428	1	POWER CABLE KIT	



Pos.	Artikel-Nr.	Menge	Variante	Notes
01	Z7 22315	1	Reduzierung D50i-D50e	[1]
01A	4089100298	1	Schalldämpfer	
02	Z58 17088	1	Dichtung Silikon zu CFM	
02A	4089100333	1	ABSOLUTE FILTER ASSEMBLY KIT	
03	Z8 17262	1	Absolutfilter AD VHW360/3VT H14	
03A	4089100332	1	PIPE KIT	
04	4083101134	1	UPSTREAM HEPA CONTAINER D220 R9003 M.VHW	
04A	4089100332	1	PIPE KIT	
05	4084001146	1	Sterngriff ohne Loch	
05A	4089100346	1	AU TOP CLOSURE CARTER KIT	
06	4083000681	1	DIFFUSER CONTAINER D220x142 R9003 M.VHW	
06A	4089100334	1	AU PIPE KIT	
NS	4083200753		GROUP UPSTREAM ABSOL. FILT. VHW311 R9003	

## Part Notes:

[1] - CONTACT PM IN ZOCCA



---

<b>Pos.</b>	<b>Artikel-Nr.</b>	<b>Menge</b>	<b>Variante</b>	<b>Notes</b>
1	4083200755	1	GROUP UPSTREAM ABSOL FILT. VHW311 SS	
2	4056000611	1	Fahrgestell VHW311 R9003	
3	4056000605	1	KIT DOWNSTR. ABSOLUT FILT. VHW310 R9003	

