

# PARTS LIST

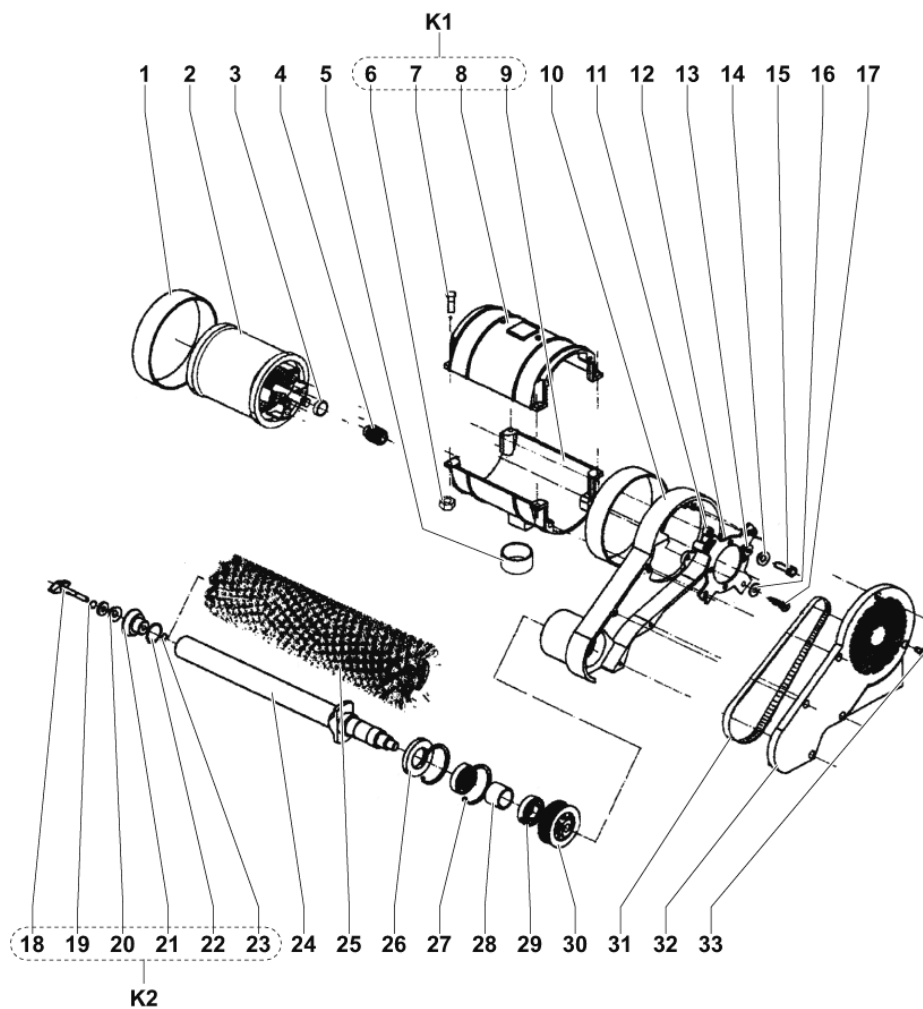


2022.01.26

# TABLE OF CONTENTS

---

BRUSH DRIVE SYSTEM.....	1
FRAME SYSTEM.....	3
SQUEEGEE ASSEMBLY.....	5
TANKS SYSTEM.....	7
VACUUM SYSTEM.....	9
HANDLE BAR.....	11
SOLUTION SYSTEM.....	13
CHASSIS SYSTEM.....	15
WIRING SYSTEM.....	17
RECOMMENDED SPARE PARTS.....	19



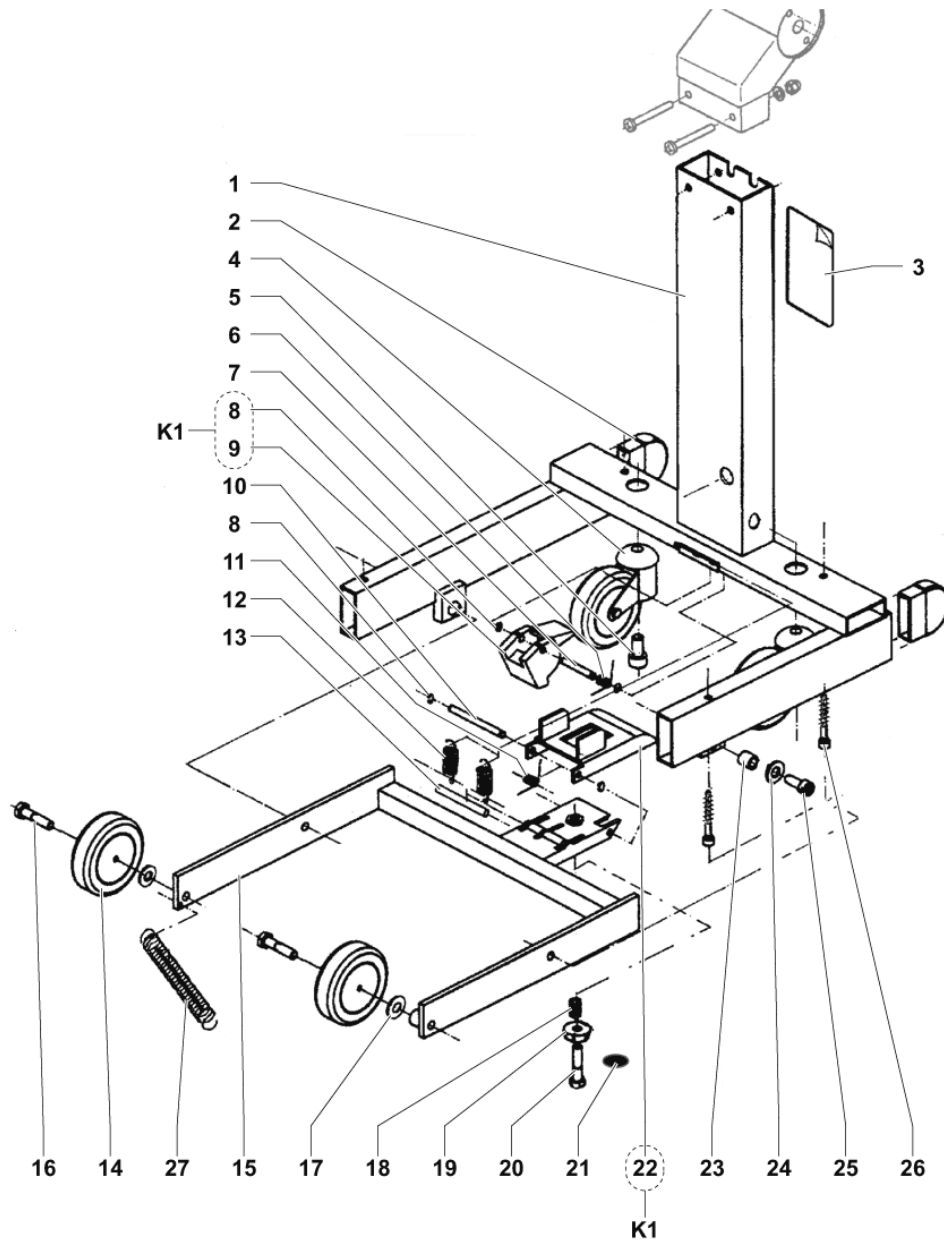
Resource notes:

Note 1 - L08425200 - nr. 1 - L08603042 - nr. 2 - L08603044 - nr. 2 - L08603096 - nr. 1 - L08603110 - nr. 1 Note 2 - L08425300 - nr. 1 - L08603042 - nr. 2 - L08603044 - nr. 2 - L08603096 - nr. 1 - L08603110 - nr. 1

Pos.	Artikel-Nr.	Menge	Variante	Notes
01	L08603022	2	Gummiring Motor zu CA 340	[1]
02	9099665000	1	MOTOR BRUSH	[2]
03	L08603258	1	Scheibe 11x6	[3]
04	L08603750	1	Zahnritzel zu CA 340	[3]
05	L08603023	1	Gummiring CA 340	[3]
10	L08603010	1	Getriebegehäuse	[3]
11	L08603018	4	Isolierhülse f.CA340 °	[1]
12	L08603016	1	Motorflansch f.CA340	[3]
13	L08603017	4	Isolierhülse m.Bund	[3]
14		4		
15	L08812104	4	Schraube M5 X 18	[1]
16	1466530000	1	WASHER PLAIN M6X18 ISO7093 10 PCS SET	
17	33023653	4	SCREW M6X20 HD HEX ISO4762 10PCS.SET	
18	L08603241	1	FLUEGELSCHRAUBE M6	
20	L08812686	2	Scheibe A6,4 Gu. / Skive	[3]
21	L08603004	1	DRUCKSTÜCK	[3]
22	L08095000	1	O-Ring D26 x 4 NBR	
23	33023696	1	RING F SHAFT D.5 DIN6799 SET 10 PCS	[2]
24	L08603003	1	SHAFT	[3]
25	L08425200	1	Walzenbürste Nylon, blau, 100x330 mm	
25	L08425400	1	Walzenbürste Sica Grit 320, hart, 340 mm	[4]
25	L08425300	1	Walzenbürste Aglite Grit 500, mittel	[5]
26	L08603005	1	Simmerring CA 340	[3]
27	33006181	2	Seegerring D52	[3]
28	L08603008	1	Distanzmuffe für BA 340	[3]
29	1467640000	2	BEARING BALL 6205 DDU SIP	
30	L08603009	1	Riemenscheibe CA 340	[3]
31	L08603177	1	Zahnriemen HTD500-M5	
32	L08603001	1	Deckel für CA 340	
33	145 1964 000	6	Schraube M6x12	[2]
K1	L08603253	1	Gehäuse complet CA 340	[6]
K2	9099514000	1	BefestigungsKit f. Bürste	[7]
K3	9099521000	1	WEAR PACK KIT	[8]
K4	9099522000	1	WEAR PACK SICA BRUSH KIT	[9]

## Part Notes:

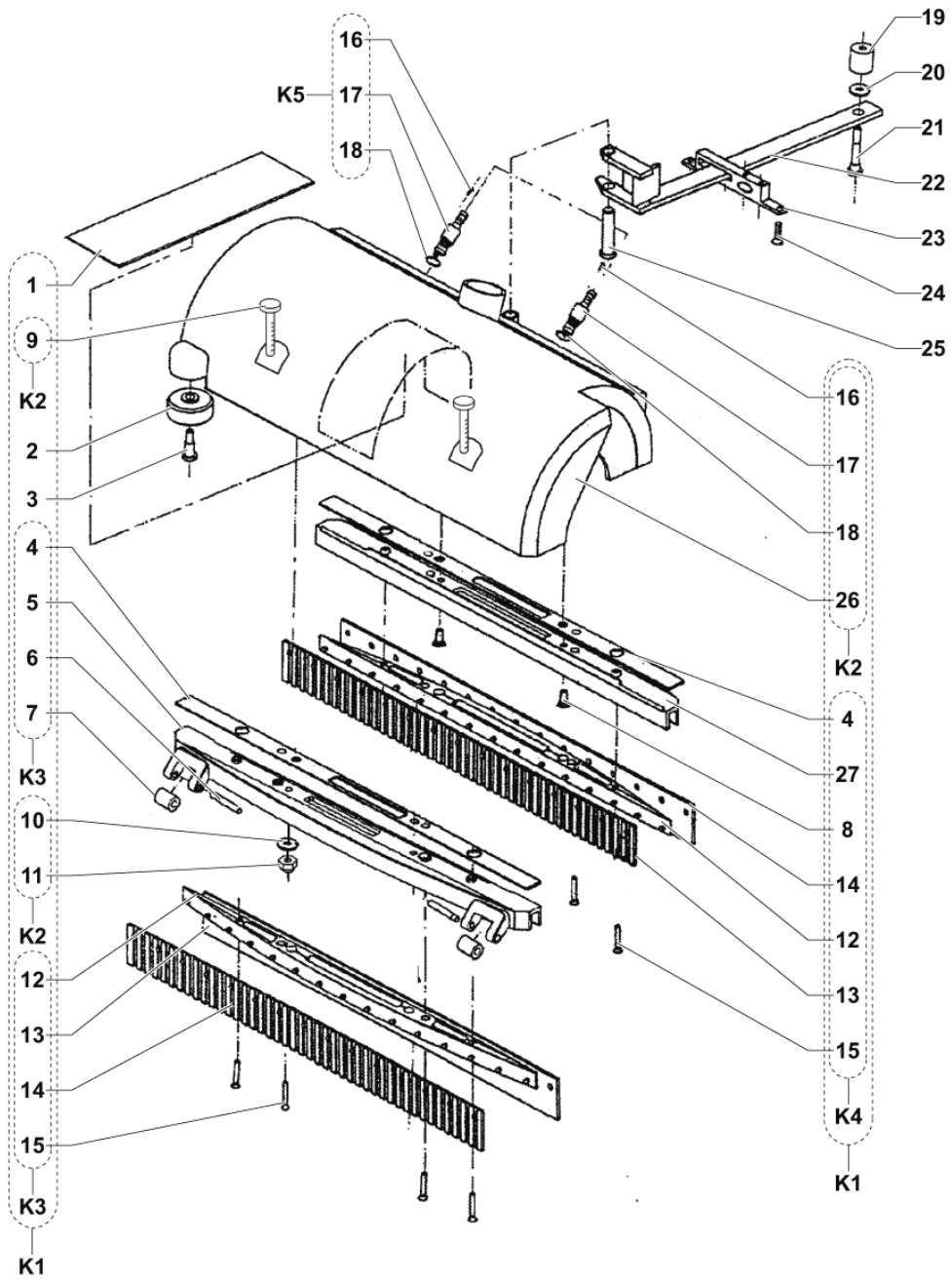
- [1] - NO LONGER AVAILABLE
- [2] - GUARANTEE DATE EXPIRED
- [3] - STOCK COVERS GUARANTEE
- [4] - Optional  
NO LONGER AVAILABLE
- [5] - Optional
- [6] - Pos. 6-7-8-9  
STOCK COVERS GUARANTEE
- [7] - Pos. 18-19-20-21-22-23  
STOCK COVERS GUARANTEE
- [8] - Optional - Not Shown - See Note 1  
STOCK COVERS GUARANTEE
- [9] - Optional - Not Shown - See Note 2  
STOCK COVERS GUARANTEE



Pos.	Artikel-Nr.	Menge	Variante	Notes
01	L08603066	1	Gestell, beschichtet	[1]
02	L08603068	2	Zapfen CA 340	[1]
03	L08603214	1	Aufkleber	[2]
04	L08603076	2	Lenkrolle 2370 PJP075 P30	[1]
05	145 5742 000	2	Schraube	
06	L08603071	1	Feder (zu Pedal)	
07	L08603069	1	Bolzen zu CA 340	[2]
08	L08603183	4	Seegering zu CA 340	[1]
09	L08603354	1	Pedalspeicher	[1]
10	L08603356	1	Bolzen	[1]
11	L08603075	1	Feder zu CA 340	[2]
12	L08603061	2	Feder f. CA 340	[2]
13	L08603062	1	Federachse	[1]
14	9100000701	2	WHEEL D.75X28 GREY KIT	[1]
15	L08603057	1	Arm f. Hebevorrichtung	[2]
16	L08603181	2	Schraube M8 x 35	[3]
17	9100001351	1	WASHER M8 UNI6592 SS 10 PCS SET	
18	L08603064	1	Feder zu CA 340	[1]
19	L08603065	1	Rändelmutter BA 340	[1]
20	L08603063	1	Schraube M8x35 Inox	[1]
21	L08603746	1	Hutschraube zu CA340	[1]
22	L08603355	1	Pedal gross zu CA 340	[1]
23	L08603055	2	BUSH	[1]
25	L08812803	2	SCREW M8X20 CAP HD HEX SS ISO4762 SCOTCH	[1]
26	L08603377	4	Schraube 6x25 THD	[1]
27	L08603037	1	Feder für CA340	[1]
K1	9099520000	1	PEDAL BRUSH LIFTING KIT	[4]

Part Notes:

- [1] - STOCK COVERS GUARANTEE
- [2] - NO LONGER AVAILABLE
- [3] - ALT.USE KIT 9100000701
- [4] - Pos. 9-10-22  
STOCK COVERS GUARANTEE

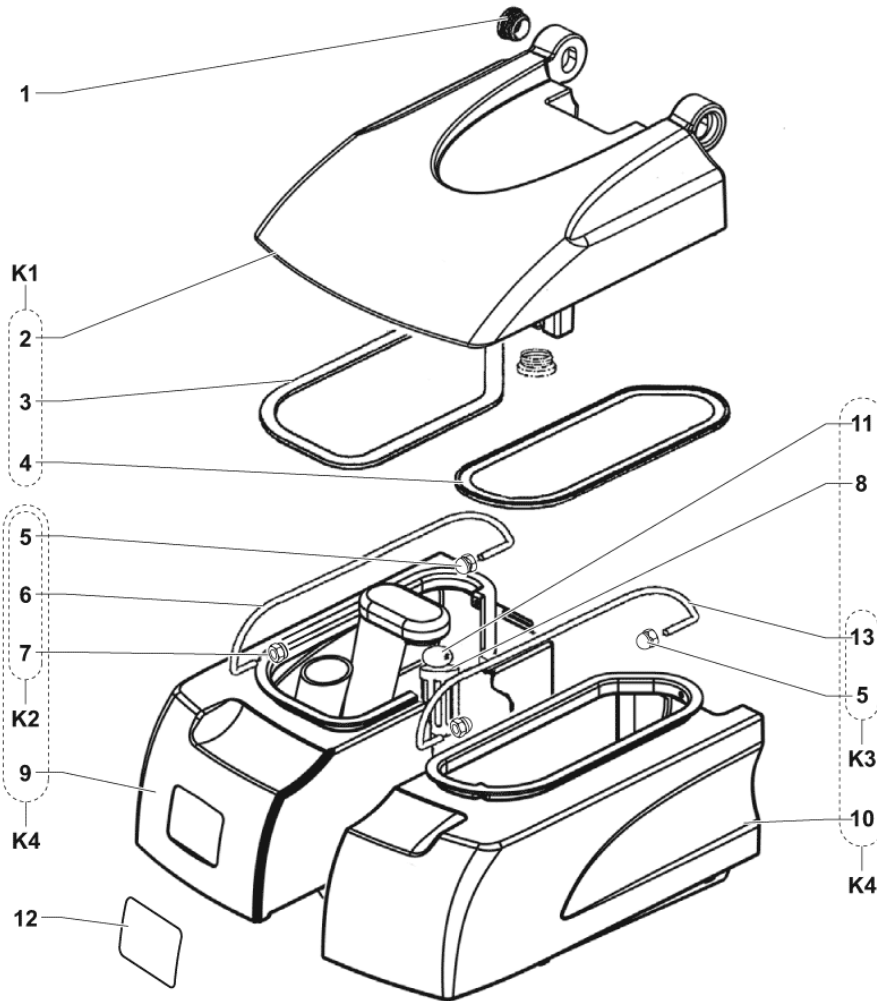


Pos.	Artikel-Nr.	Menge	Variante	Notes
00	9097353000	1	Sauglippen-Set PU je 2 St, 440 mm, 17"	[1]
01	L08603026	1	Abdeckplatte	
02	L08603027	2	Abweisrolle CA340	[2]
03	L08220100	2	Flachkopfschraube CA 340mit Ansatz M6 x	[2]
04	L08603039	2	Düsendichtung	
05	L08603397	1	Bürstenteil mit Halterung	
06	L08603402	2	Roller	
07	L08812122	2	Spiralspannstift	[2]
08	L08603744	2	Schrauben M 5x16	
09	L08603733	2	SCREW M4X40 UNI7687 SS	
10	9100001912	2	WASHER PLAIN M4X9SS ISO7089 10 PCS SET	
11	L08603685	2	Stopfmutter M4 UNI7474	
12	L08603040	2	Halteleiste	
13	9097353000	1	Sauglippen-Set PU je 2 St, 440 mm, 17"	
15	L08603203	8	Linsensenkschraube M5x25	
16	L08603359	2	Schraube	
17	L08603357	2	Düse	[2]
18	L08603358	2	Düsendichtung	[2]
19	9100002198	1	LEVER BRUSH FIXING KIT	[3]
22	L08603031	1	Hebelarm	[2]
23	L08603378	2	EJOT-PT-Schr.KB 40x20	[4]
24	L08812009	1	Führung zu CA340	[2]
25	L08603036	1	Bolzen	[2]
26	L08603728	1	Saugfusskopf CA340	[2]
27	9100003008	1	HOLDER REAR BLADE	
K1	9099515000	1	Saugglocke kpl. m. Saug-	[5]
K2	9099516000	1	COVER BRUSH KIT	[6]
K3	9099517000	1	Saugdüse, vorne	[7]
K4	9099518000	1	Saugdüse, hinten kpl.	[8]
K5	9099519000	1	PIPE FITTING KIT	[9]

Part Notes:

- [1] - Optional
- [2] - STOCK COVERS GUARANTEE
- [3] - STOCK COVERS GUARANTEE  
Included Item No. 19, 20, 21
- [4] - NO LONGER AVAILABLE
- [5] - Pos. 1-2-3-4-5-6-7-8-9-10-11-12-13-14-15-16-17-18-26-27  
STOCK COVERS GUARANTEE
- [6] - Pos. 9-10-11-16-17-18-26  
STOCK COVERS GUARANTEE
- [7] - Pos. 4-5-6-7-9-12-13-14-15
- [8] - Pos. 4-8-12-13-14-15-16-17-18-27
- [9] - Pos. 16-17-18  
STOCK COVERS GUARANTEE

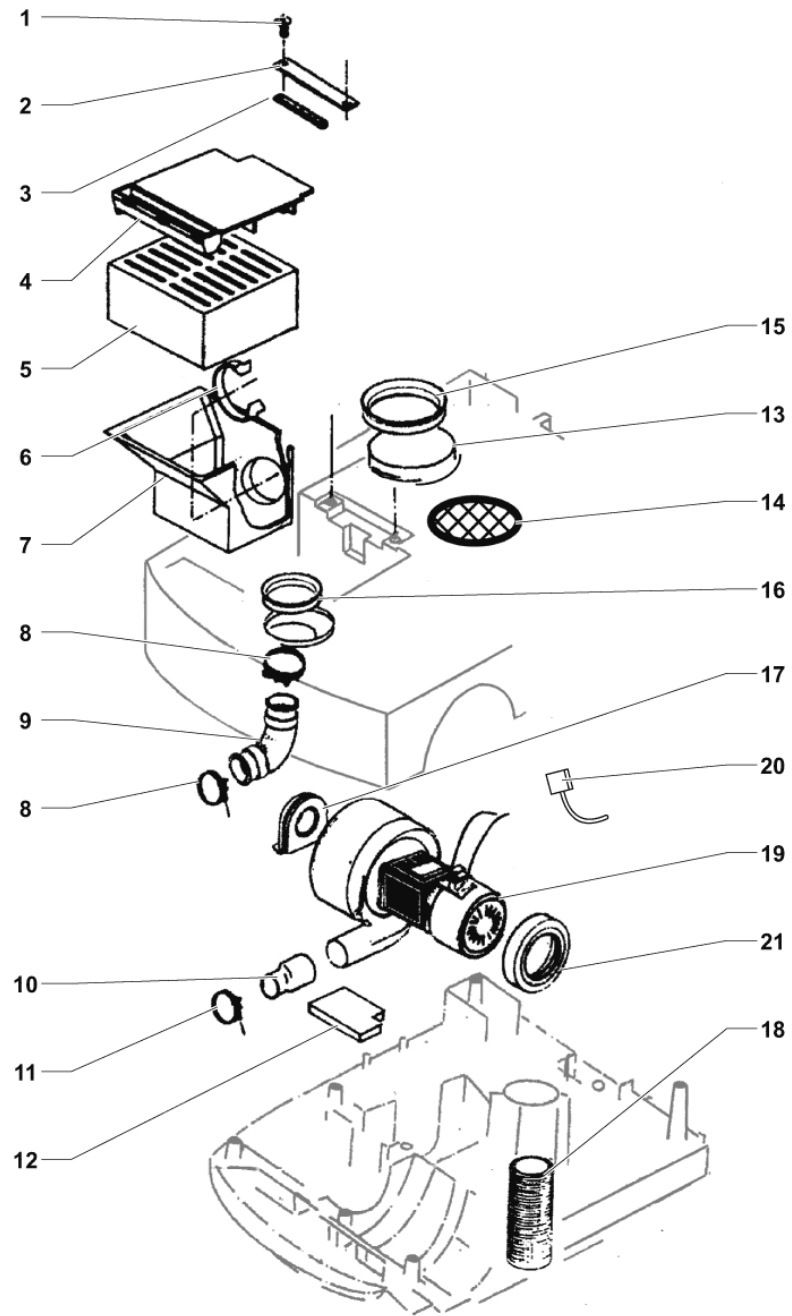




Pos.	Artikel-Nr.	Menge	Variante	Notes
01	1466138000	1	CAP BLACK PPL DE 42X11.5 PKD	
02	9098945000	1	COVER PLAST. BLUE F TANK 12L	[1]
03	L08603230	1	Deckeldichtung	
04	L08603229	1	Deckel-Dichtungsprofil	
08	9100001371	1	CAGE FLOAT PKD	
09	9098944000	1	TANK RECOVERY 12L PLAST. BLUE	[1]
10	9098943000	1	TANK SOLUTION BLUE	[1]
11	L08092600	1	Ventilball	
12	9100001570	1	DECAL SCRUBTEC 234C SIP	[2]
K1	9099429000	1	COVER PLAST. BLUE F TANK 12L KIT	[3]
K2	9099506000	1	GRIP RECOVERY TANK KIT	[4]
K3	9099505000	1	GRIP SOLUTION TANK KIT	[5]
K4	9099430000	1	TANKS KIT	[6]

## Part Notes:

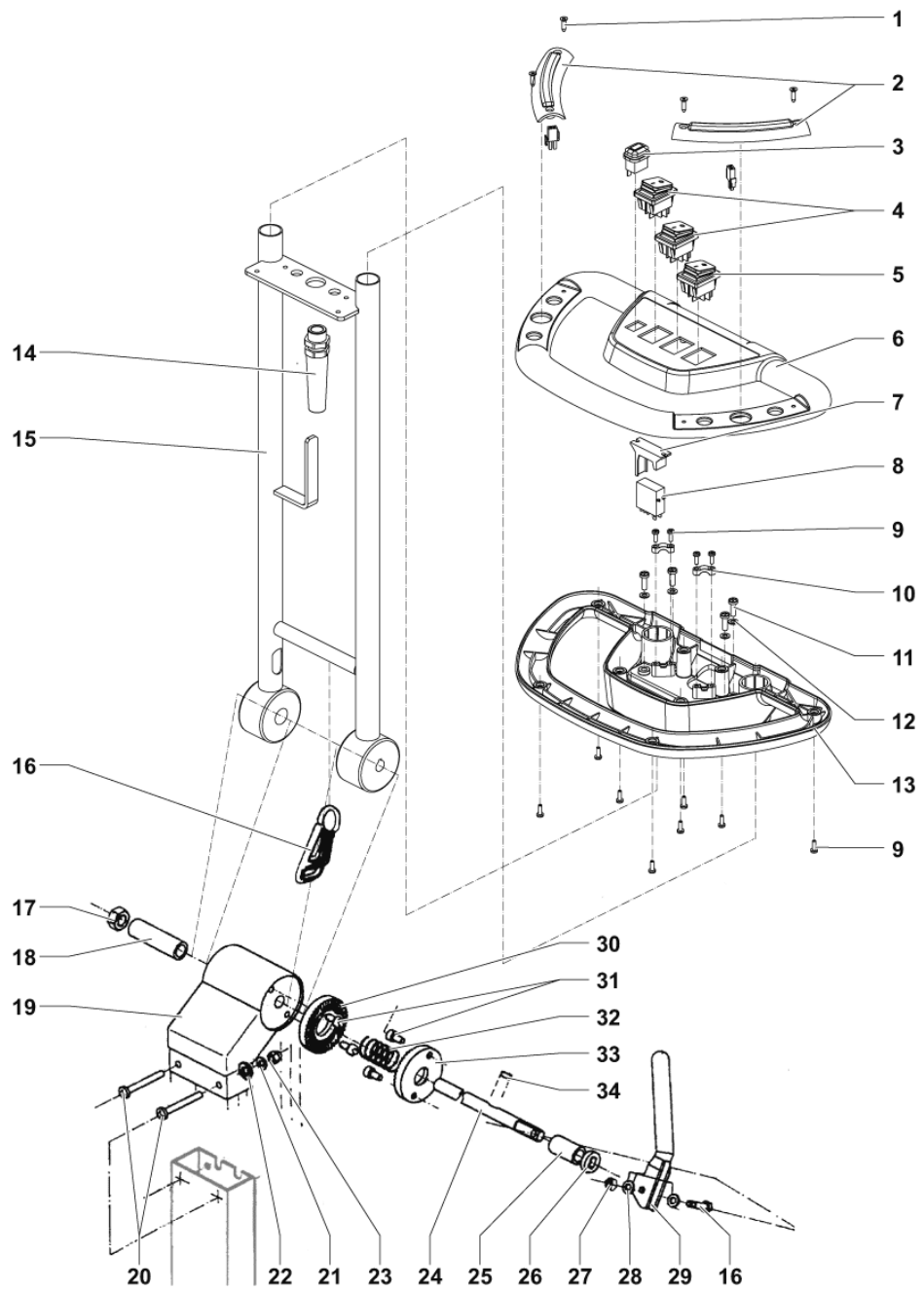
- [1] - STOCK COVERS GUARANTEE
- [2] - SEE PI 2017-002
- [3] - Pos. 2-3-4  
STOCK COVERS GUARANTEE
- [4] - Pos. 5-6-7  
STOCK COVERS GUARANTEE
- [5] - Pos. 5-13  
STOCK COVERS GUARANTEE
- [6] - Pos. 5-6-7-8-11  
STOCK COVERS GUARANTEE



Pos.	Artikel-Nr.	Menge	Variante	Notes
01	L08601157	2	Schraube CA 340	[1]
02	L08603187	1	Haltesteg CA 340	[2]
03	L08603188	1	Dichtung	[1]
04	L08603108	1	Filterdeckel	[1]
05	L08603104	1	Schaumgummi	
06	L08603174	1	Schlauchbride CA340	[3]
07	L08603103	1	Schalldämpfereinsatz	[1]
08	L08600269	2	CLAMP 9/25-40	[1]
09	L08603092	1	Saugschlauch CA 340	
10	L08603101	1	Abluftschlauch zu CA 340	[1]
11	L08601663	1	Schlauchbride zu CA 340	[1]
12	L08603102	1	Dämpfer für BA 340	[1]
13	L08603096	1	Filter 80x20 mm für Turbine	
14	L08603097	1	Filtergitter CA 340	[1]
15	L08603095	1	Dichtungsring f/Turbine	[1]
16	L08603094	1	Dichtungsring für Schmutzwassertank	[1]
17	L08603098	1	Dichtung zu CA 340	[1]
18	L08603110	1	Motorfilter	
19	909 5040 000	1	Saugmotor 230V zu CA340	[2]
20	909 5073 000	1	CARBON BRUSH 2 PCS SET	[1]
21	L08812016	1	Dichtung	[1]

Part Notes:

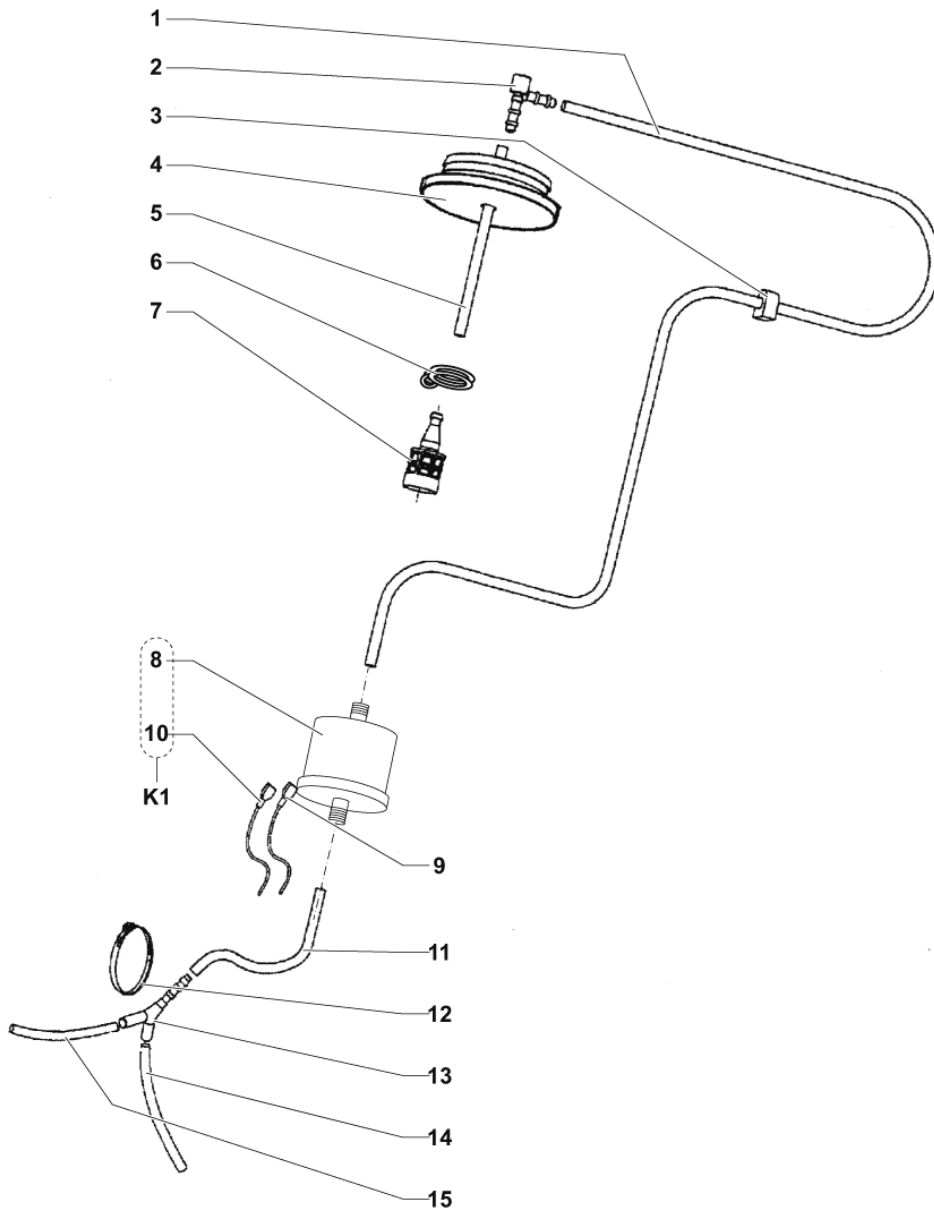
- [1] - STOCK COVERS GUARANTEE
- [2] - NO LONGER AVAILABLE
- [3] - GUARANTEE DATE EXPIRED



Pos.	Artikel-Nr.	Menge	Variante	Notes
1	146 0454 000	4	Schraube	[1]
2	9100000467	1	Schalter komplett gelb f	
3	9099358000	1	SWITCH UNIPOLAR	
4	107404540	2	Schalter	
5	9099357000	1	SWITCH DOUBLE-POLE	
6	9099097000	1	HOUSING SWITCH FRONT	[2]
7	9099404000	1	SUPPORT MOUNT RELAY	[2]
8	9099307000	1	RELAY 250V 16A	[2]
9	L08603192	14	Schraube	[2]
10	L08600168	3	Block Fixierung	
11	909 5009 000	4	SCREW M5X12 UNI7687	
12	33023195	4	WASHER M5 UNI6592 10 PCS SET	
13	9099098000	1	Griffschale unten	[2]
14	909 6656 000	1	Zugentlastungsklemme	
15	9099295000	1	HANDLE BAR	[2]
16	L08601101	1	HOLDER CABLE	[1]
17	1467685000	1	NUT LOCK HEX M12 LOW ISO10511 5 PCS SET	
18	L08603142	1	Distanzstück f. CA 340	[1]
19	L08603136	1	Halter f. Gelenk	[2]
20	L08603190	2	Linsenschraube M6x45 vz.	[3]
21	33023396	1	WASHER PLAIN M6X12 ISO7089 10 PCS SET	
22	33005851	2	Unterlegscheibe	
23	33023669	1	NUT HEX M6 DOMED CAP HIGH 5 PCS SET	[4]
24	L08603140	1	Achse CA 340	[2]
25	L08603191	1	Distanzstück f. CA 340	[1]
26	L08603143	1	Druckplatte zu CA 340	[2]
27	33023667	1	NUT LOCK HEX M6 LOW ISO10511 5 PCS SET	
28	L08603146	1	EXCENTERHEBEL	[2]
29	L08603175	1	Schraube	[2]
30	L08603137	1	Stirnzahnscheibefür CA 340	[2]
31	L08600149	4	Schraube M6 x12zu Ca 340	[2]
32	L08603144	1	Feder zu Griff CA 340	[2]
33	L08603138	1	Stirnzahnscheibefür CA 340	[2]
34	L08603141	1	Keil 4x4x12 CA 340	
35	9099426000	1	DECAL CONTROL PANEL	[5]

Part Notes:

- [1] - NO LONGER AVAILABLE
- [2] - STOCK COVERS GUARANTEE
- [3] - GUARANTEE DATE EXPIRED
- [4] - SEE PI 2017-002
- [5] - NOT SHOWN  
STOCK COVERS GUARANTEE

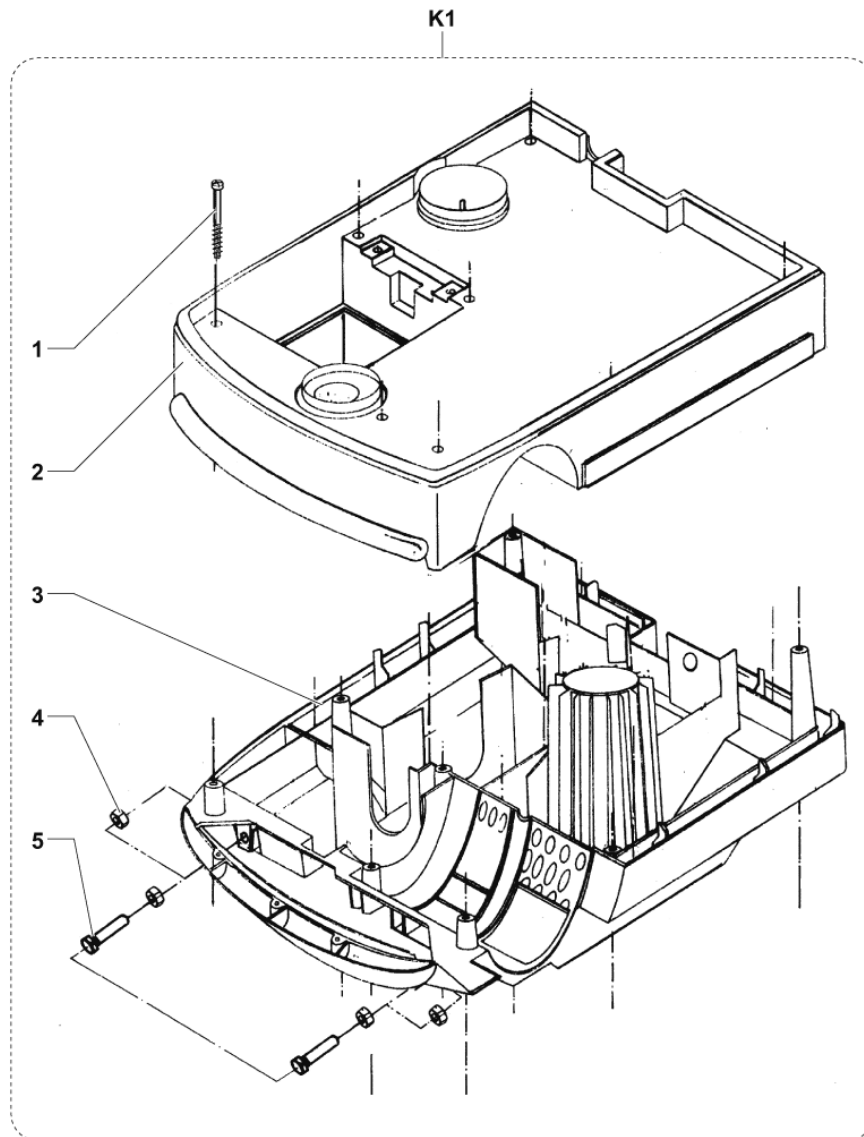


Pos.	Artikel-Nr.	Menge	Variante	Notes
01	L08603735	1	Frischwasserschlauch CA	[1]
02	L08603189	1	Plastikwinkel SR 1450	
03	L08603129	1	Gummipuffer	[1]
04	9100000733	1	CAP PLASTIC D.42 WHITE WITH HOLE PKD	[1]
05	L08603225	1	Schlauchabschnitt	
06	L08603881	1	CLAMP SELF LOCKING 8.3-8	[1]
07	L08603126	1	Ansaugfilter	
09	L08603200	1	EL.WIRE F.PUMP	[1]
11	L08603752	1	Frischwasserschlauch	[1]
12	1466344000	1	TIE CABLE 4.8X200 BLACK 10 PCS SET	
13	L08603133	1	Y-Stück für CA340	[1]
14	L08603224	1	Schlauch für CA340	[1]
15	L08603223	1	Schlauch für CA340	[1]
K1	9100000933	1	PUMP WATER 230V 40W KIT	[2]

## Part Notes:

- [1] - STOCK COVERS GUARANTEE  
 [2] - Pos. 8-10 - INST. INSTR. 9100000934

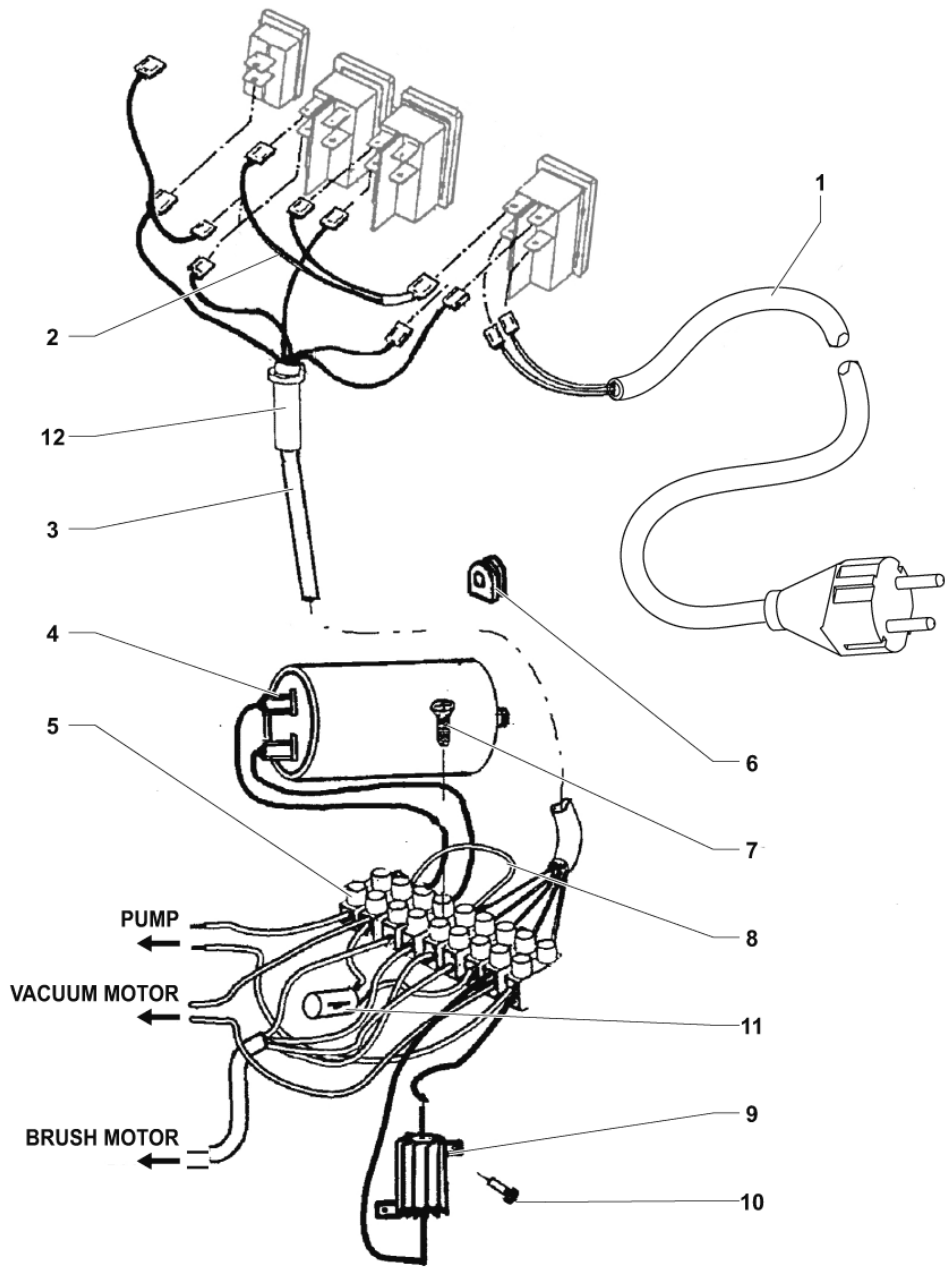




Pos.	Artikel-Nr.	Menge	Variante	Notes
01	909 5893 000	8	Schraube 6x60 THD	[1]
02	L08603367	1	Gehäuse Oberteil BA 340	
03	L08603368	1	Gehäuse-Unterteil CA 340	[1]
04	L08603206	4	Mutter	[1]
05	L08603707	2	SCREW M8X30 HEX HD F/THD SS SPECIAL	[2]
K1	9099431000	1	Chassis Kit	[3]

## Part Notes:

- [1] - STOCK COVERS GUARANTEE
- [2] - NO LONGER AVAILABLE
- [3] - Pos. 1-2-3-4-5  
STOCK COVERS GUARANTEE



Pos.	Artikel-Nr.	Menge	Variante	Notes
01	9099359000	1	Kabel mit Stecker	[1]
02	9099361000	1	HARNESS CONTROL PANEL	[1]
03	9099360000	1	HARNESS MACHINE	[1]
04	L08603254	1	Kondensator CA 340	[1]
05	L08603196	1	EU-Klemmleiste 10-polig	[2]
06	L08603129	2	Gummipuffer	[1]
07	L08093800	1	KNIPPING-KERBSCHR. 2,9X16	[2]
08	L08603756	1	CABLE BRIDGE UL AWG 18	[2]
09	9099066000	1	Elektrischer Widerstand	[3]
10	L08348200	1	LINS.-BLECHSCHR. 2,9X9,5	[2]
11	L08603912	1	Kondensator 0.1 UFCA 340	[1]
12	L08603150	1	Knickschutztülle	[3]

## Part Notes:

- [1] - STOCK COVERS GUARANTEE
- [2] - NO LONGER AVAILABLE
- [3] - GUARANTEE DATE EXPIRED

# RECOMMENDED SPARE PARTS

SCRUBTEC 234C

2017.11.02

2015.06.29

---

# RECOMMENDED SPARE PARTS

SCRUBTEC 234C

2017.11.02

2015.06.29

Pos.	Artikel-Nr.	Menge	Variante	Notes
00	9099518000	1	Saugdüse, hinten kpl.	[1]
00	9099429000	1	COVER PLAST. BLUE F TANK 12L KIT	[2]
00	909 5040 000	1	Saugmotor 230V zu CA340	[3]
00	9100000701	2	WHEEL D.75X28 GREY KIT	[2]
00	9099521000	1	WEAR PACK KIT	[4]
00	L08603096	1	Filter 80x20 mm fürTurbine	[5]
00	9100000467	1	Schalter komplett gelb f	[6]
00	9099665000	1	MOTOR BRUSH	[7]
00	L08603094	1	Dichtungsring für Schmutzwassertank	[2]
00	9099097000	1	HOUSING SWITCH FRONT	[8]
00	9099307000	1	RELAY 250V 16A	[8]
00	L08603253	1	Gehäuse complet CA 340	[8]
00	L08425200	1	Walzenbürste Nylon, blau, 100x330 mm	[1]
00	9099522000	1	WEAR PACK SICA BRUSH KIT	[4]
00	9099066000	1	Elektrischer Widerstand	[7]
00	9099515000	1	Saugglocke kpl. m. Saug-	[8]
00	107404540	2	Schalter	[6]
00	L08603177	1	Zahnriemen HTD500-M5	[5]
00	9099519000	1	PIPE FITTING KIT	[8]
00	9099516000	1	COVER BRUSH KIT	[8]
00	9099098000	1	Griffschale unten	[8]
00	L08603126	1	Ansaugfilter	[5]
00	9099359000	1	Kabel mit Stecker	[8]
00	L08603095	1	Dichtungsring f/Turbine	[2]
00	9099358000	1	SWITCH UNIPOLAR	[6]
00	909 5073 000	1	CARBON BRUSH 2 PCS SET	[2]
00	9099357000	1	SWITCH DOUBLE-POLE	[6]
00	9099520000	1	PEDAL BRUSH LIFTING KIT	[8]
00	L08603076	2	Lenkrolle 2370 PJP075 P30	[2]
00	9097353000	1	Sauglippen-Set PU je 2 St, 440 mm, 17"	[1]
00	L08603254	1	Kondensator CA 340	[8]
00	9099517000	1	Saugdüse, vorne	[1]
00	9099514000	1	BefestigungsKit f. Bürste	[8]
00	9100000933	1	PUMP WATER 230V 40W KIT	[6]
00	9099360000	1	HARNESS MACHINE	[8]
00	L08603912	1	Kondensator 0.1 UFCA 340	[2]

## Part Notes:

- [1] - NW
- [2] - OM  
STOCK COVERS GUARANTEE
- [3] - OM  
NO LONGER AVAILABLE
- [4] - NW  
STOCK COVERS GUARANTEE
- [5] - OM
- [6] - EOM
- [7] - EOM  
GUARANTEE DATE EXPIRED
- [8] - EOM  
STOCK COVERS GUARANTEE

