

PARTS LIST



2017.06.09

 **Nilfisk**[®]

 07351-5758060

kontakt@nilfisk-alto-shop.com



 **Heine**
Vertriebs-GmbH

Preisabfrage bzw. Bestellungen der Artikel im Shop unter

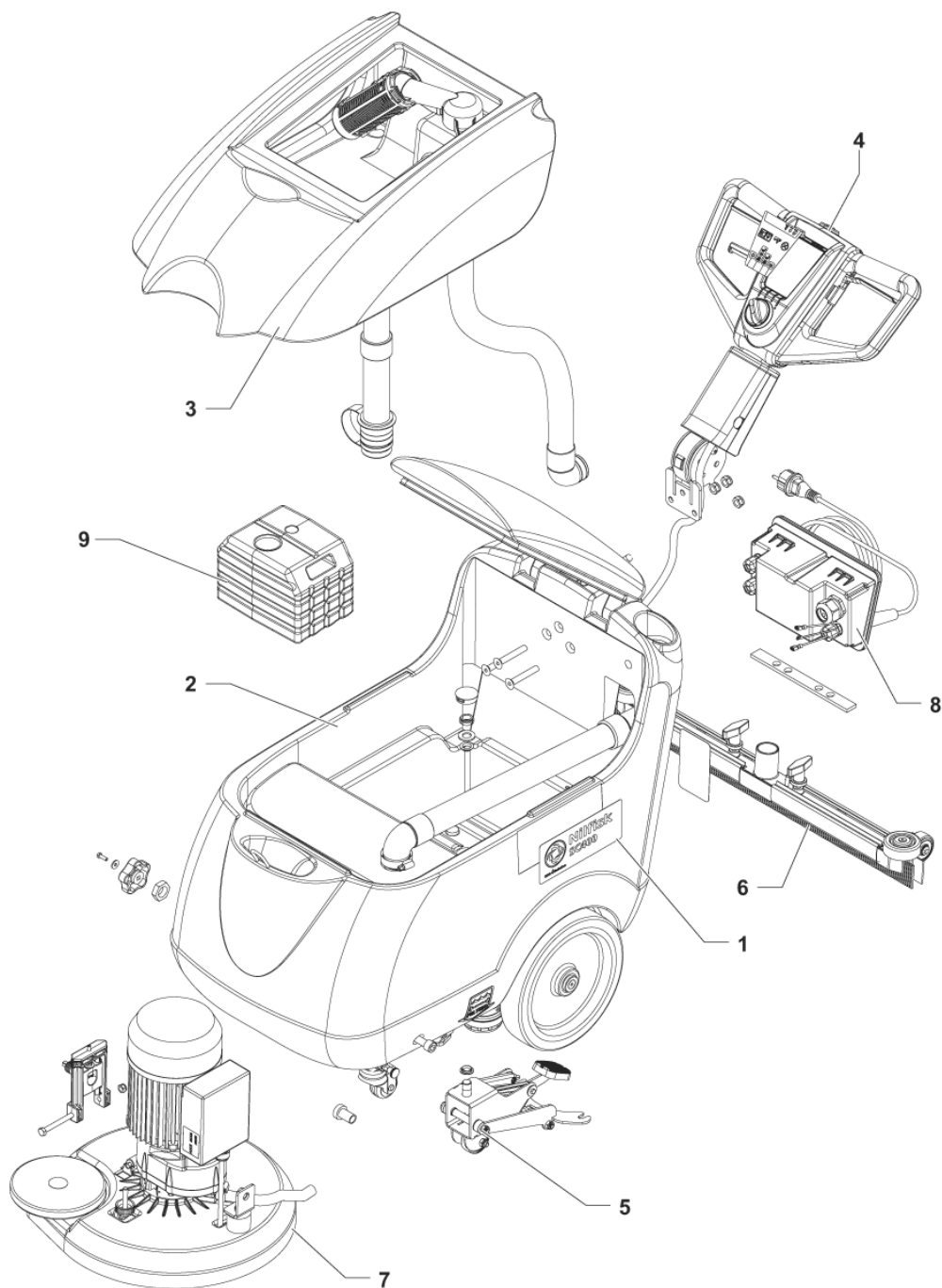
www.nilfisk-alto-shop.com

einfach die Artikelnummer in die Suchmaske eingeben

(Bitte die Artikelnummer ohne Leerzeichen eingeben)

TABLE OF CONTENTS

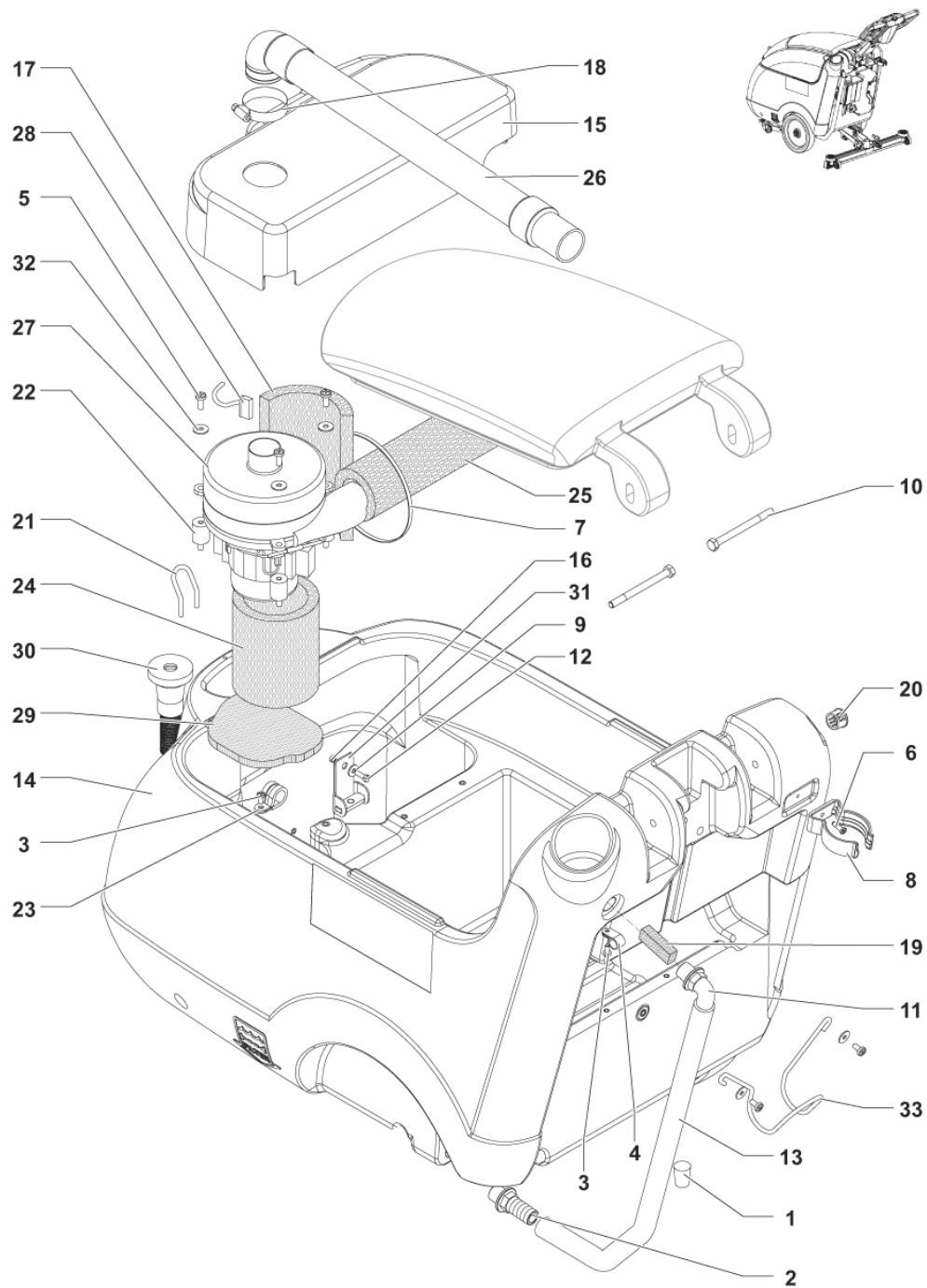
GENERAL SYSTEM	1
SOLUTION SYSTEM	3
FILTER AND WHEELS SYSTEM	5
RECOVERY SYSTEM	7
HANDLE SYSTEM	9
SQUEEGEE AND LIFT SYSTEM	11
BRUSH SYSTEM	13
WIRING SYSTEM	15
ACCESSORIES	17
RECOMMENDED SPARE PARTS	19



Pos.	Artikel-Nr.	Menge	Variante	Notes
1	9099761000	1	DECALS SC400 NILFISK KIT	
2		1	Solution system	[1]
3		1	Recovery system	[2]
4		1	Handle system	[3]
5		1	Squeegee and lift system	[4]
6		1	Squeegee	[5]
7		1	Brush system	[6]
8		1	Wiring system	[7]
9	9099296000	1	WEIGHT CEMENT	

Part Notes:

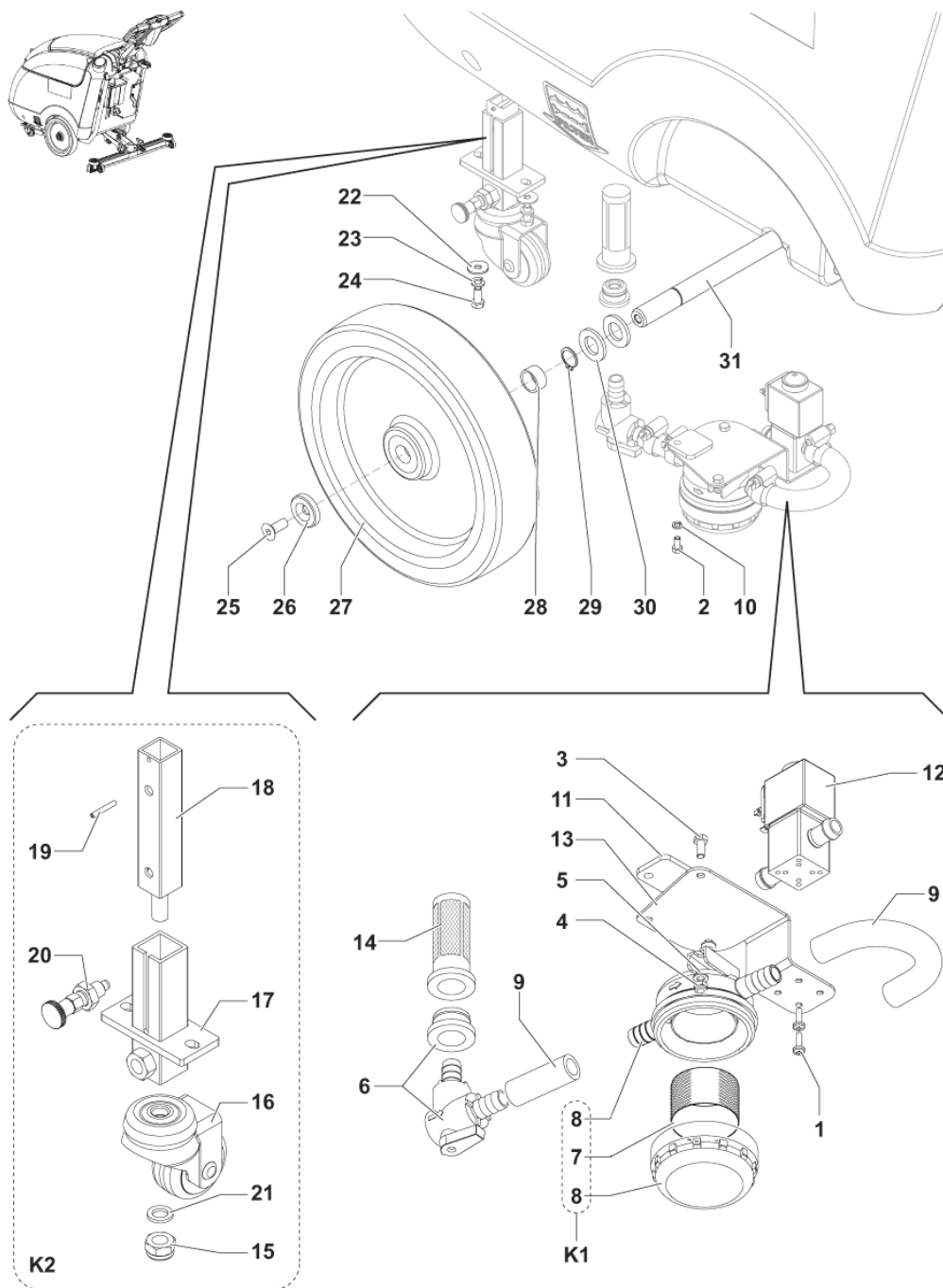
- [1] - SOLUTION SYSTEM
- [2] - RECOVERY SYSTEM
- [3] - HANDLE SYSTEM
- [4] - SQUEEGEE AND LIFT SYSTEM
- [5] - SQUEEGEE
- [6] - BRUSH SYSTEM
- [7] - WIRING SYSTEM



Pos.	Artikel-Nr.	Menge	Variante	Notes
2	9100000574	1	FITTING STRAIGHT G1/2 D.20 KIT	
8	909 6380 000	1	Schlauchklammer BR 601BR 751	
11	9100001211	1	ELBOW 90 D.20 G1/2 M KIT	
13	9098446000	1	HOSE SOLUTION	
14	9100001944	1	TANK SOLUTION RAL 7016 PKD	
15	9098466000	1	Deckel f. Motor	
17	9098801000	1	FILTER SOUND ABSORBENT	
18	9100001348	1	CLAMP 14/32-52 10 PCS SET	
19	9098802000	1	FILTER LEVEL WATER HOSE	
21	9099178000	1	SUPPORT BRUSH	
24	909 5564 000	1	Schallschutz Schlauch	
25	909 5565 000	1	Schallschutz	
26	909 5579 000	1	Schlauch Saugmotor	
27	9100001895	1	MOTOR VACUUM 550W 230V KIT	
28	909 5719 000	2	Kohlebürsten-Set	
29	9099184000	1	FILTER FOAM MOTOR	
30	9100001895	1	MOTOR VACUUM 550W 230V KIT	
31	9099195000	1	VORDERE EINSTELLHALTERUNG CPL	
33	9098444000	1	SUPPORT CABLE EXTENSION	
K1	9099763000	1	HARDWARE SOLUTION TANK KIT	[1]

Part Notes:

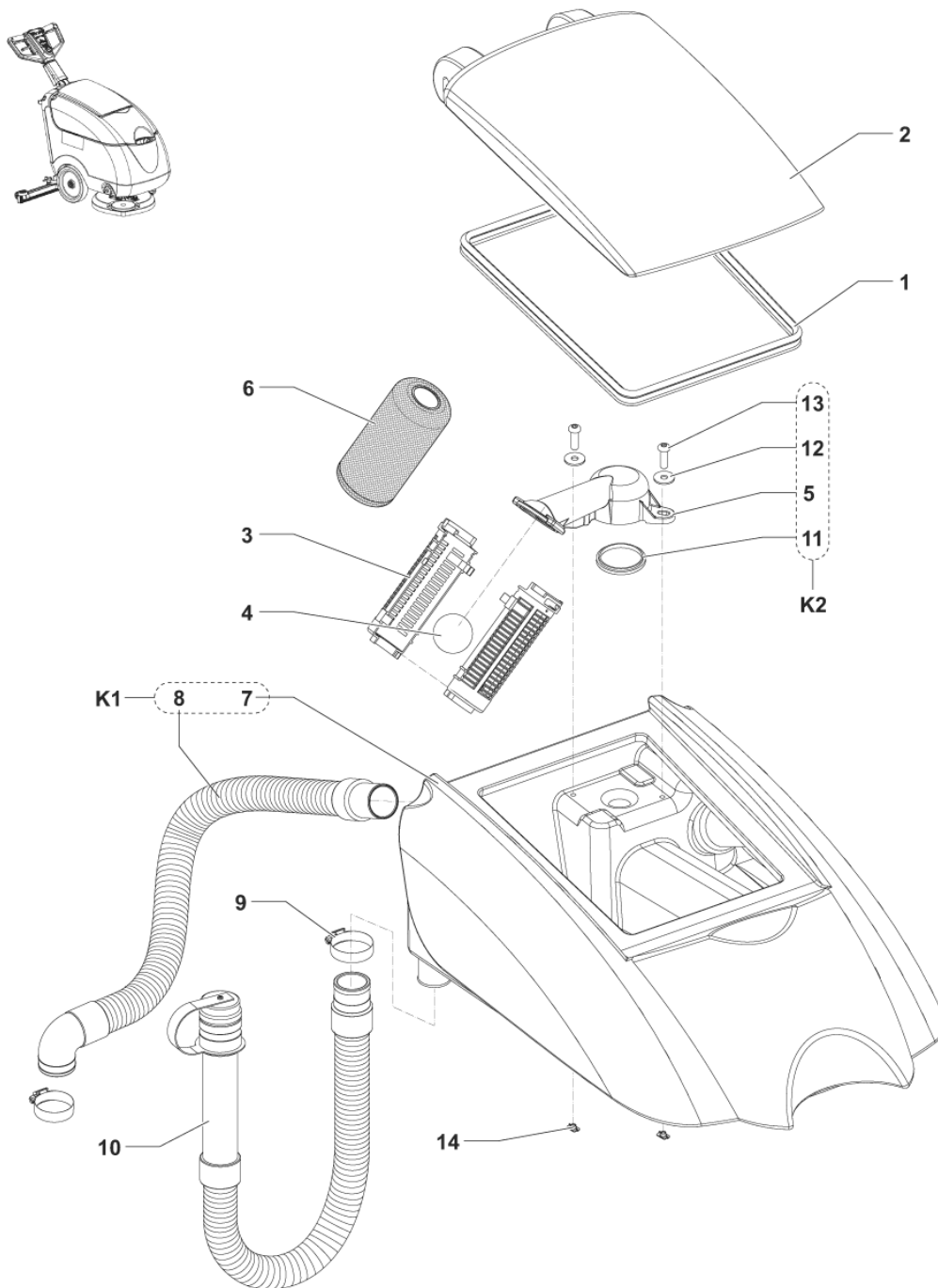
[1] - NOT SHOWN (POS.1-3-4-5-6-7-9-10-12-16-20-22-23-32)



Pos.	Artikel-Nr.	Menge	Variante	Notes
6	9097626000	1	Winkelventilkit	
7	9100000861	1	NET WATER FILTER REINFORCED PKD	
9	9099778000	1	HOSE SOLUTION FILTER KIT	
11	9099200000	1	SPACER ADHESIVE RUBBER	
12	9099246000	1	Magnetventil 220-230 V	
13	9099179000	1	SUPPORT FILTER AND SOLENOID VALVE	
14	9100001353	1	FILTER SOLUTION TANK PKD	[1]
16	9100000961	1	WHEEL CASTOR D.51 SS GREY PKD	
20	909 5641 000	1	Bolzen BA 410	
27	9099410000	2	Rad D250x50 grau	
K1	9100000860	1	FILTER WATER PKD	[2]
K2	9099705000	1	SUPPORT KIT f. Scrubtec 343	[3]
K3	9099765000	1	Befestigungskit	[4]
K4	9099766000	1	HARDWARE FILTER AND SUPPORT KIT	[5]

Part Notes:

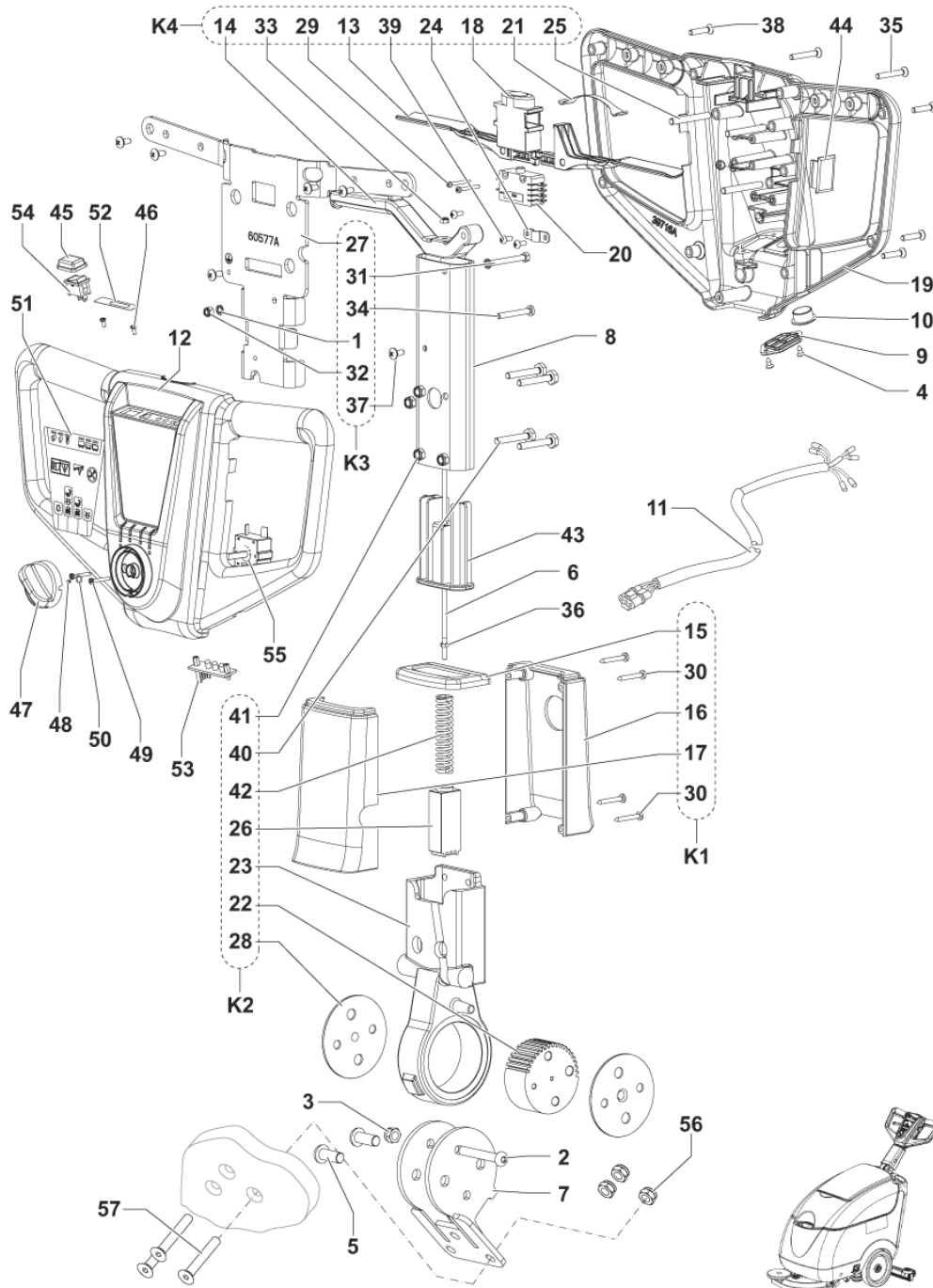
- [1] - OPTION
- [2] - (POS.7-8)
- [3] - (POS.15-16-17-18-19-20-21)
- [4] - NOT SHOWN (POS.25-26-28-29-30-31)
- [5] - NOT SHOWN (POS.1-2-3-4-5-10-22-23-24)



Pos.	Artikel-Nr.	Menge	Variante	Notes
1	909 5716 000	1	Dichtung	
2	9100001948	1	COVER TANK GREY PKD	
3	9100000818	1	CAGE FLOAT HALF 2 PCS SET	
4	9100000817	1	BALL FLOATING PKD	
6	909 5065 000	1	Filter antischäum	[1]
8	9100001947	1	SAUGSCHLAUCH 850MM 90 SCHWARZ PKD	
9	9100001348	1	CLAMP 14/32-52 10 PCS SET	
10	9099692000	1	Ablassschlauch L611 MM	
K1	909 6061 000	1	Schmutzwassertank BA 410	[2]
K2	9100001875	1	SUPPORT FLOAT KIT	[3]

Part Notes:

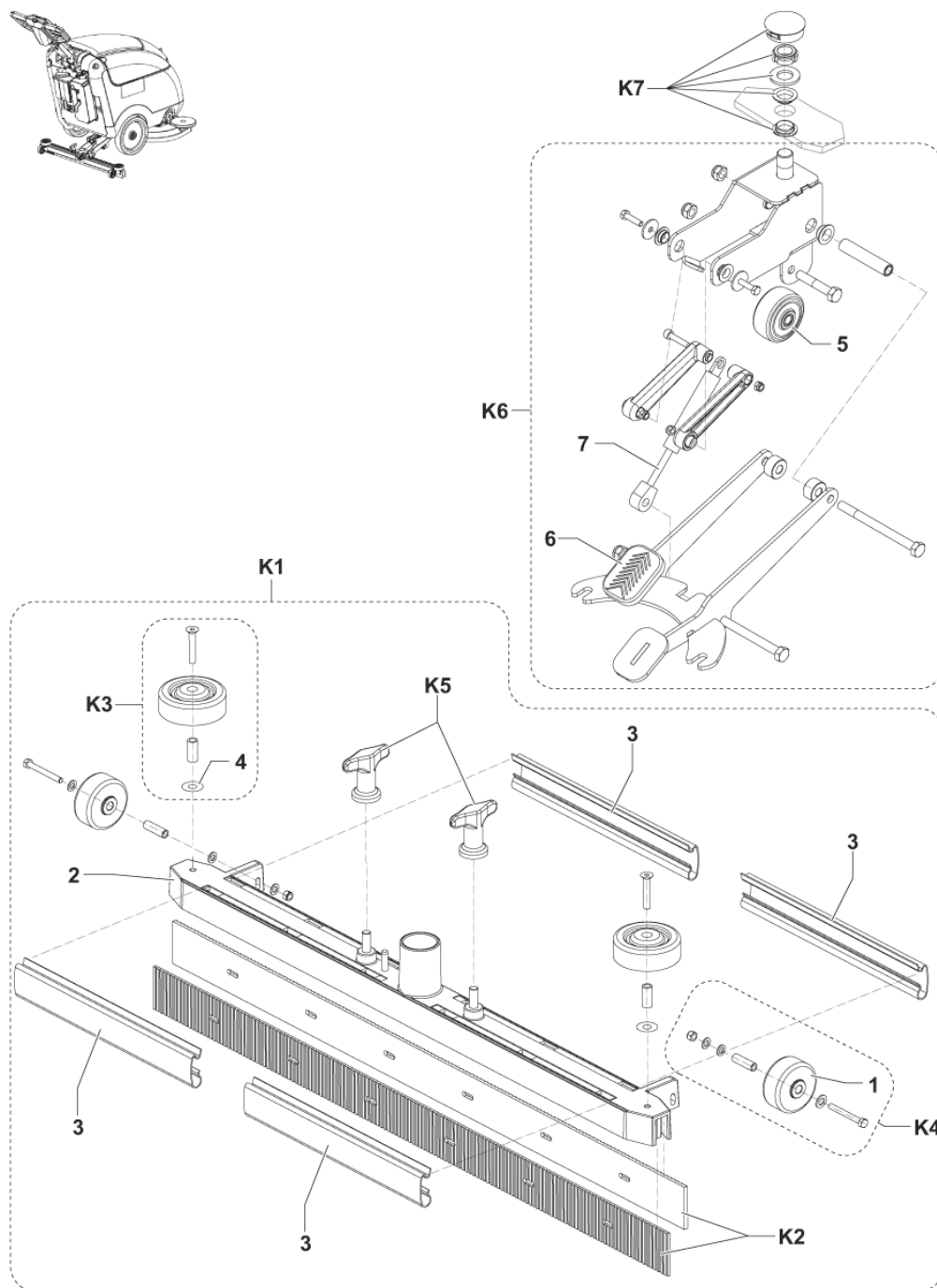
- [1] - OPTION
- [2] - (POS.7-8)
- [3] - (POS.5-11-12-13-14)



Pos.	Artikel-Nr.	Menge	Variante	Notes
6	9098805000	1	ROD HANDLE ADJUSTING	[1]
7	9098806000	1	SUPPORT HANDLE	[1]
8	9098808000	1	TUBE HANDLE	[1]
9	9098812000	1	CAP FOR HANDLE	
10	9098813000	1	CAP D.18.5/D.24MM BLACK	
11	9099054000	2	CABLE HANDLE BAR	[1]
12	9100000101	1	COVERS HANDLE GREY KIT	
19	9100000101	1	COVERS HANDLE GREY KIT	
20	40263A	1	SWITCH DPST	
36	VV13609	1	NUT M4	
43	VF47033	1	RETAINER	
44	VF54041	1	HANDLE PLUG	
45	L08603154	1	SCHUTZKAPPE	
47	9097283000	1	KNOB CONTROL FUNCTIONS	
51	9098810000	1	DECAL CONTROL PANEL	
52	9098616000	1	Sticker Batterie LED	[2]
53	9099053000	1	CARD TWO-COLOURED LED	
54	9099107000	1	SWITCH SINGLE-POLE MOMENTARY	
55	9099332000	1	SWITCH ROTATIVE 4 POSITIONS	
K1	11271A	1	Abdeckungskit	[3]
K2	11272A	1	LOWER HOUSING KIT	[4]
K3	11273A	1	Befestigungskit für Griff	[5]
K4	11274A	1	HANDLE SWITCH LEVER KIT	[6]
K5	9099768000	1	SCHRAUBENSATZ GRIFF	[7]

Part Notes:

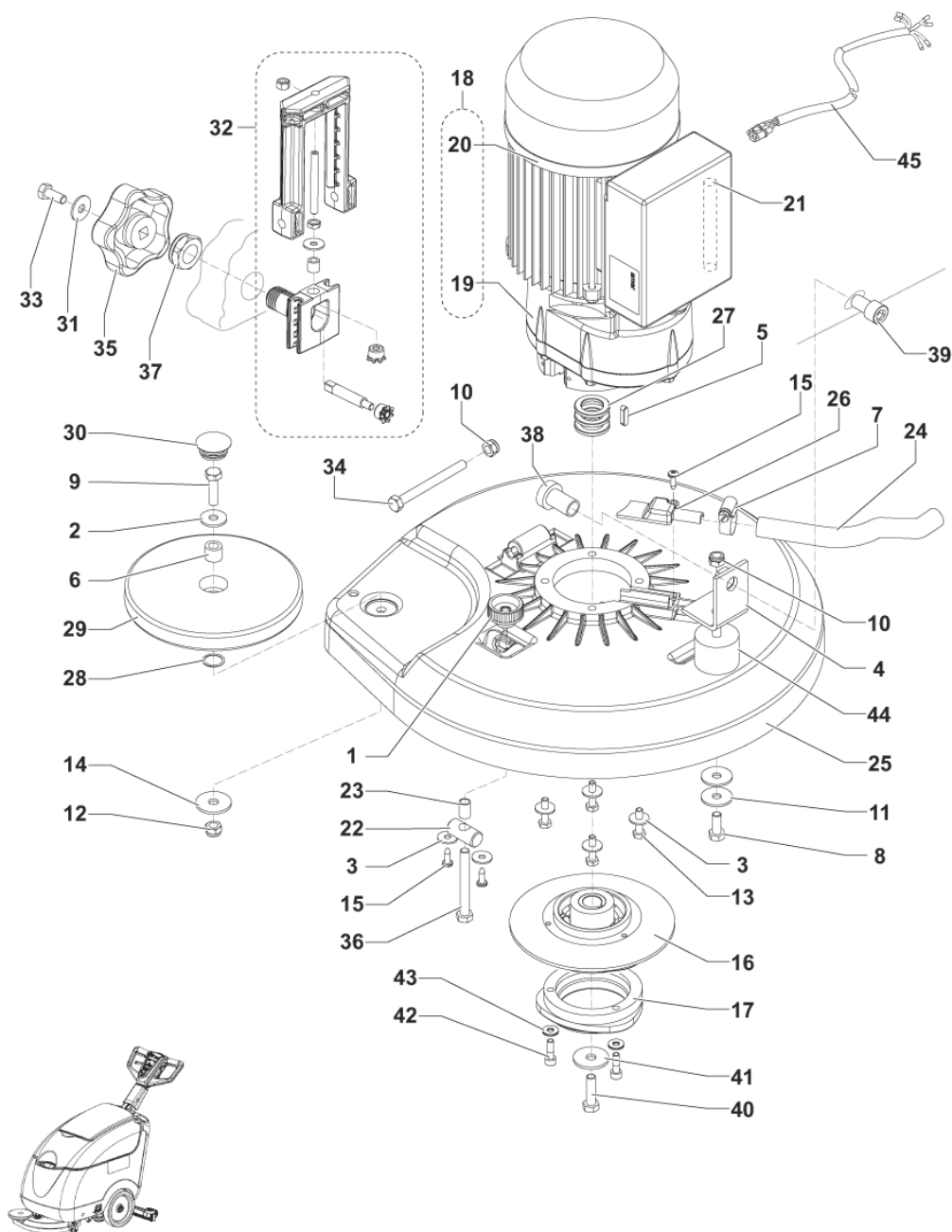
- [1] - NOT FOR SALE VIA EDC
- [2] - STOCK COVERS GUARANTEE
- [3] - (POS.15-16-17-30)
- [4] - (POS.22-23-26-28-40-41-42)
- [5] - (POS.1-27-31-32-34-37)
- [6] - (POS.13-14-18-21-24-25-29-33-39)
- [7] - NOT SHOWN (POS.2-3-4-5-35-38-46-48-49-50-56-57)



Pos.	Artikel-Nr.	Menge	Variante	Notes
1	9100000559	2	Rad grau D.51	
2	909 5554 000	1	Absaugleiste - Oberteil	
3	9100001661	2	PROFILE F SQUEEGEE BLADE 2 PCS SET	
4	L08603689	2	Scheibe 6x18x1.5	
5	9100000556	1	WHEEL D.50 PKD	
6	9099106000	1	COVER PEDAL	
7	909 5637 000	1	Gasdruckfeder BA 410	
K1	909 5702 000	1	Absaugleiste kpl. 740mm/29"	[1]
K2	9097354000	1	Sauglippen-Set PU Ø 720 mm, 28"	
K3	L08603880	1	Abweissrollen-Kit A 430S	[2]
K4	909 5703 000	1	RadBA 410	[3]
K5	9097637000	1	Befestigungskit BA 551	
K6	9099769000	1	HEBUNG SAUGLEISTENHALTERUNG KOMPLETT	[4]
K7	9099770000	1	REPARATURSATZ SAUGLEISTENHALTERUNG	

Part Notes:

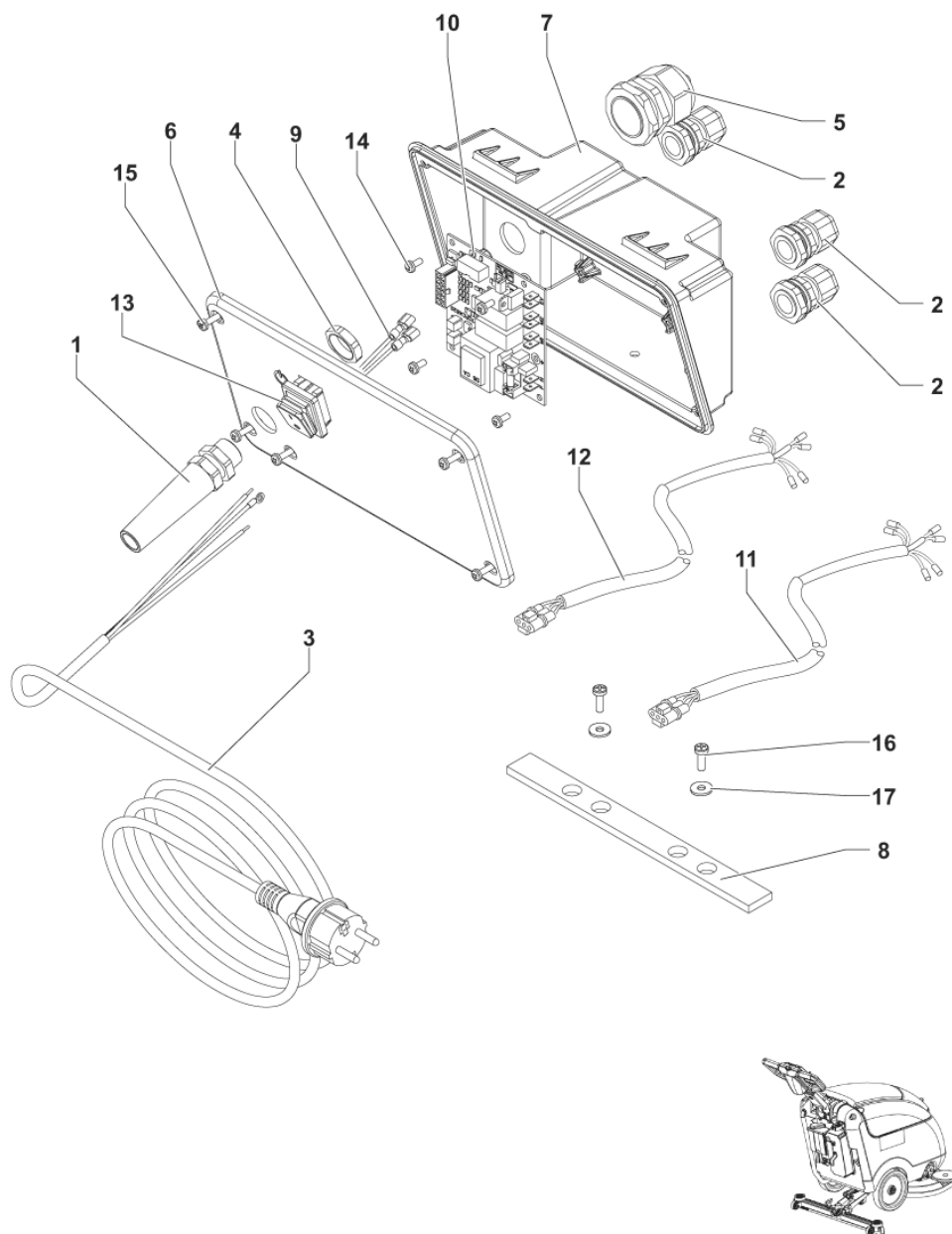
- [1] - (POS.K1-K2-K3-K4-K5-2-3)
- [2] - (POS.4)
- [3] - (POS.1)
- [4] - (POS.5-6-7)



Pos.	Artikel-Nr.	Menge	Variante	Notes
1	909 5964 000	1	Stellschraube	
4	9099356000	1	BRACKET DECK SUPPORT	
5	1466147000	1	KEY 5X5X20 UNI6604A PKD	
16	L08812589	1	Polygonaufnahme kpl.	
17	L08812480	1	Polygonaufnahme	
18	9099951000	1	Getriebemotorkit 1100W 230V	
19	9100001846	1	REDUCTION GEAR PKD	
20	909 5722 000	1	Elektromotor 230V/1100W	[1]
21	909 5931 000	1	Kondensator 450V 30UF	[2]
24	9099779000	1	HOSE BRUSH DECK KIT	
25	9099093000	1	BÜRSTENHALTERKOPF	
26	9100000869	1	COVER SOLUTION HOSE SUPPORT PKD	
29	L08812204	1	Abweisrolle zu BA 530	
32	9099771000	1	ADJUSTABLE DECK KIT	
40	33023226	1	SCREW M6X30 HEX HD ISO4017 10 PCS SET	
35	9098465000	1	HANDLE LOBE SQUARE HOLE	
41	9100001272	1	WASHER PLAIN M6X24 SS ISO7093 10 PCS SET	
44	9100000868	1	VIBRATION DAMPING M8 60SH 2 PCS SET	
45	9099141000	1	CABLE BRUSH MOTOR EU	
K1	9099772000	1	HARDWARE BRUSH SYSTEM KIT	[3]

Part Notes:

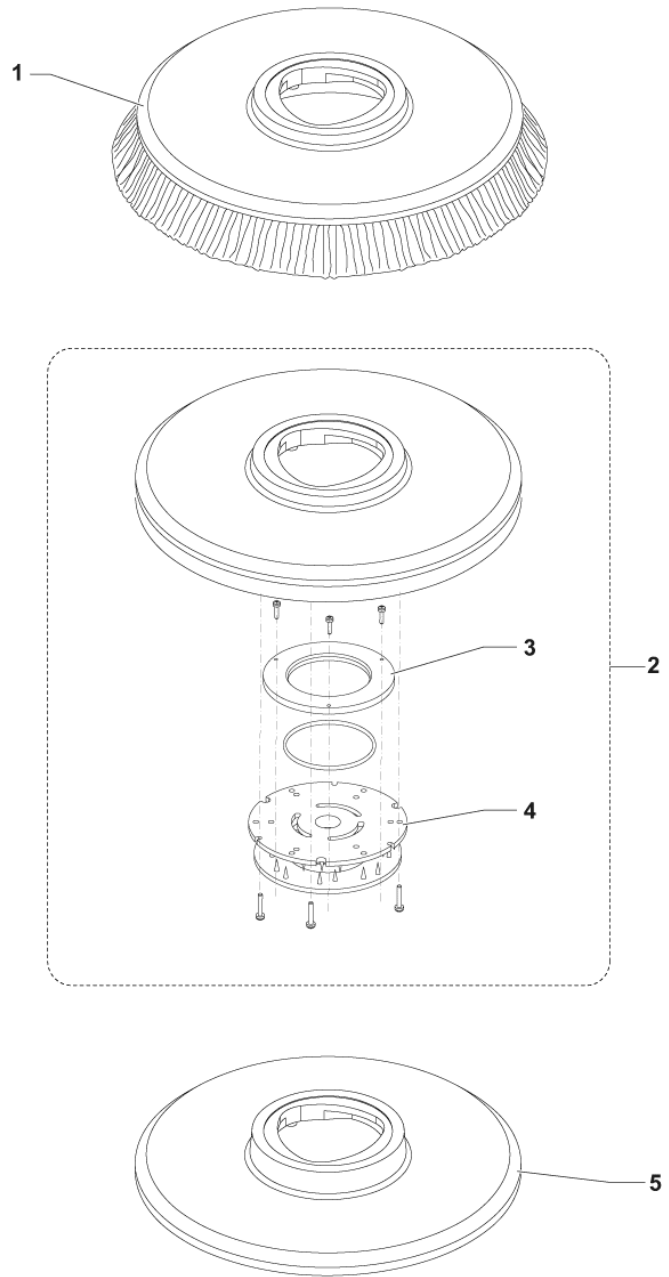
- [1] - STOCK COVERS GUARANTEE
- [2] - RUN CAPACITOR
- [3] - NOT SHOWN (POS.3-6-7-8-9-10-11-12-13-14-15-22-23-27-28-30-31-33-34-36-37-38-39-42-43)



Pos.	Artikel-Nr.	Menge	Variante	Notes
1	909 6656 000	1	Zugentlastungsklemme	
2	9100001779	3	GLAND CABLE PLASTIC W/NUT PG13.5 SIP	
3	909 6229 000	1	Zuleitung, orange	
4	909 6657 000	1	Gewinding	
5	9098463000	1	CABLE GLAND M32	
8	9099030000	1	SPACER RUBBER ADHESIVE	
9	9099090000	2	WIRE POWER SUPPLIER	
10	9100000185	1	CARD ELECTRONIC FUNCTIONS EU PKD	
11	9099142000	1	CABLE VACUUM MOTOR EU	
12	9099143000	1	CABLE SOLENOID VALVE EU	
13	9099357000	1	SWITCH DOUBLE-POLE	
K1	9099774000	1	BOX ELECTRIC COMP. KIT	[1]

Part Notes:

[1] - NOT SHOWN (POS.6-7-14-15-16-17)



Pos.	Artikel-Nr.	Menge	Variante	Notes
1	909 5694 000	1	Bürste Union Mix	
1	L08812891	1	Bürste PP, mittel, 430 mm, 17"	
1	909 5692 000	1	Bürste Sica weich, Mid Grit 240	
1	909 5691 000	1	Bürste Mid Grit 180, mittelschwer	
1	909 5693 000	1	Bürste PPN Prolite	
2	9100001897	1	PAD HOLDER BRISTLE 17 430MM	[1]
3	L08603966	1	Nylon Ring	
4	L08603965	1	SEAL O-RING	
4	56505195	1	Padverschluss m. Spange	
5	9100002050	1	Padhalter flach 17" 432mm	[1]
6	10001936	1	Eco Pad 17", Ø 432 mm, weiß, VPE 5	[2]
6	10002336	1	Eco Brill. Pad 17", Ø 431 mm, rot, VPE 2	[2]
6	10001938	1	Eco Pad 17", Ø 432 mm, schwarz, VPE 5	[2]
6	10001940	1	Eco Pad 17", Ø 432 mm, grün, VPE 5	[2]
6	10002338	1	Eco Brill. Pad 17", Ø 431 mm, gelb, VPE	[2]
6	10001939	1	Eco Pad 17", Ø 432 mm, blau, VPE 5	[2]
6	10001937	1	Eco Pad 17", Ø 432 mm, hellbraun, VPE 5	[2]
6	10001941	1	Eco Pad 17", Ø 432 mm, rot, VPE 5	[2]
6	10002339	1	Eco Brill. Pad 17", Ø 431 mm, grün, VPE	[2]
6	10002337	1	Eco Brill. Pad 17", Ø 431 mm, blau, VPE	[2]

Part Notes:

- [1] - See TSB-FC-2016-012
 [2] - NOT SHOWN

RECOMMENDED SPARE PARTS

SC400 E NIL

2014.11.27

2017.02.20

Pos.	Artikel-Nr.	Menge	Variante	Notes
00	9100000860	1	FILTER WATER PKD	[1]
00	9100001947	1	SAUGSCHLAUCH 850MM 90 SCHWARZ PKD	[1]
00	909 5703 000	1	RadBA 410	[1]
00	9097626000	1	Winkelventilkit	[2]
00	9097354000	1	Sauglippen-Set PU Ø 720 mm, 28"	[3]
00	9100000868	1	VIBRATION DAMPING M8 60SH 2 PCS SET	[1]
00	9100001661	2	PROFILE F SQUEEGEE BLADE 2 PCS SET	[2]
00	9099106000	1	COVER PEDAL	[1]
00	9098446000	1	HOSE SOLUTION	[2]
00	9099771000	1	ADJUSTABLE DECK KIT	[2]
00	9100000185	1	CARD ELECTRONIC FUNCTIONS EU PKD	[2]
00	9099705000	1	SUPPORT KIT f. Scrubtec 343	[2]
00	9100001895	1	MOTOR VACUUM 550W 230V KIT	[1]
00	L08812891	1	Bürste PP, mittel, 430 mm, 17"	[3]
00	40263A	1	SWITCH DPST	[2]
00	9099951000	1	Getriebemotorkit 1100W 230V	[2]
00	L08603880	1	Abweissrollen-Kit A 430S	[1]
00	9099332000	1	SWITCH ROTATIVE 4 POSITIONS	[2]
00	9099107000	1	SWITCH SINGLE-POLE MOMENTARY	[2]
00	9099357000	1	SWITCH DOUBLE-POLE	[2]
00	9100000559	1	Rad grau D.51	[1]
00	909 6229 000	1	Zuleitung, orange	[1]
00	909 5637 000	1	Gasdruckfeder BA 410	[2]
00	L08812480	1	Polygonaufnahme	[1]
00	909 5931 000	1	Kondensator 450V 30UF	[2]
00	909 5554 000	1	Absaugleiste - Oberteil	[2]
00	909 6380 000	1	Schlauchklammer BR 601BR 751	[2]
00	909 5716 000	1	Dichtung	[1]
00	909 5719 000	2	Kohlebürsten-Set	[1]
00	9100001348	2	CLAMP 14/32-52 10 PCS SET	[2]
00	9099246000	1	Magnetventil 220-230 V	[2]

Part Notes:

- [1] - O M
- [2] - E O M
- [3] - N W

