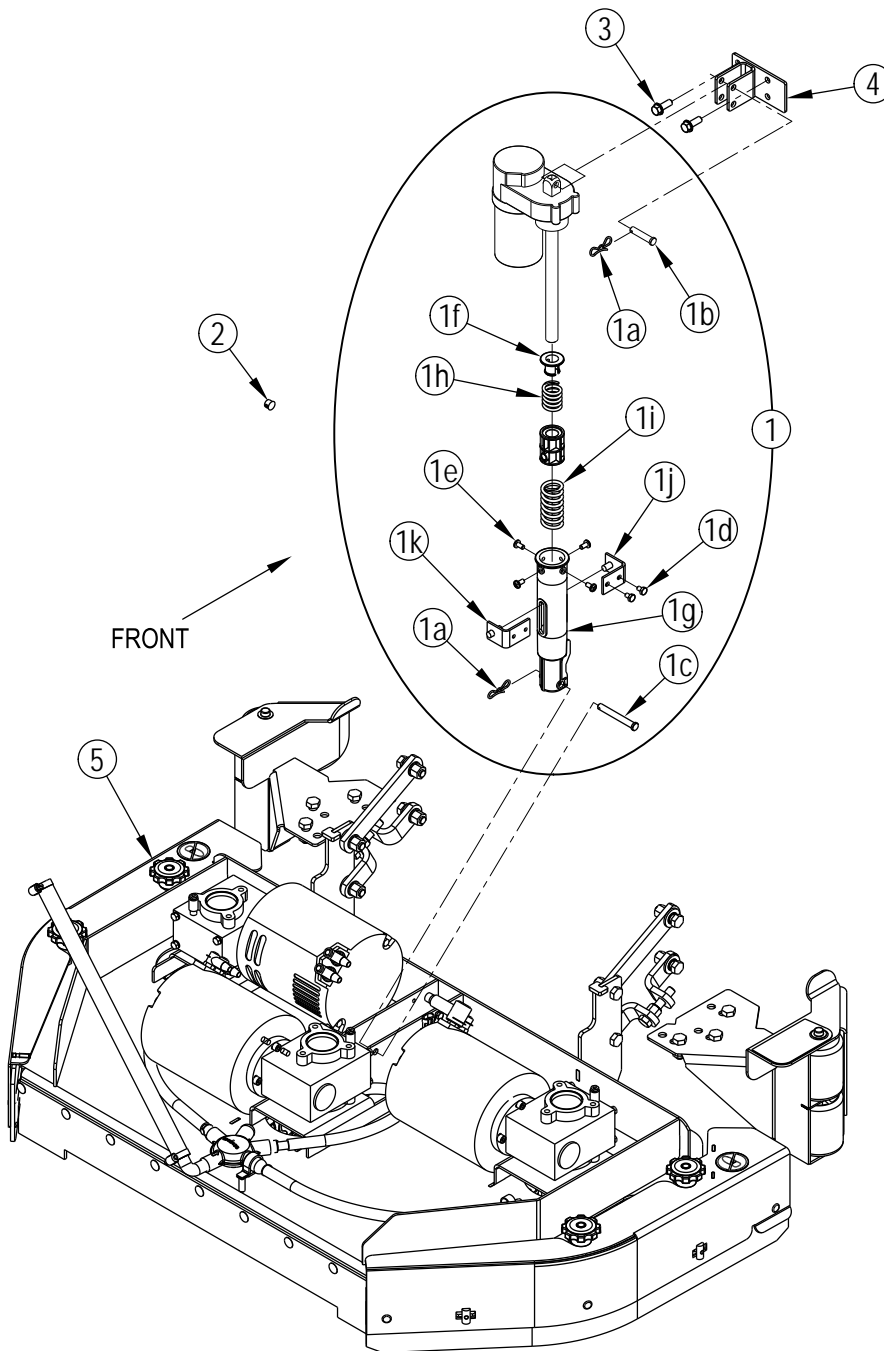


Pos.	Artikel-Nr.	Menge	Variante	Notes
39	56413871	1	Seitenschürtze L.Kompl.	[1]
39	56413556	1	LEFT SKIRT ASSEMBLY	[2]
40	56414139	1	RIGHT GUARD ASSY	[3]
41	56414140	1	LEFT GUARD ASSY	[4]
43	56413609	1	RIGHT SKIRT ASSEMBLY	[5]
1	56407006	4	Abweisrolle zu BR 850	
2	56009097	4	Radhülse zu BA 430	
3	56414136	1	LEFT GUARD WELDT	[6]
4	56413590	2	Achse	
5	56413721	1	Halter	
6	56414135	1	RIGHT GUARD WELDT	[6]
7	56413860	1	Seitengummi links	
8	56413969	1	LEFT BRACKET WELDT-40	[7]
	56413970	1	LEFT BRACKET WELDT 45-48	[8]
9	56413654	2	Spritz Gummi	
	56413820	2	Gummileiste	
	56413743	2	Seitengummi Polyurethane	
10	56413717	6	Spezial Mutter BR 1300SC	
11	56413850	6	Spezial SchraubeBR 1300 SC	
12	56413971	1	RIGHT BRACKET WELDT	
13	56413857	1	Seitengummi rechts	

Part Notes:

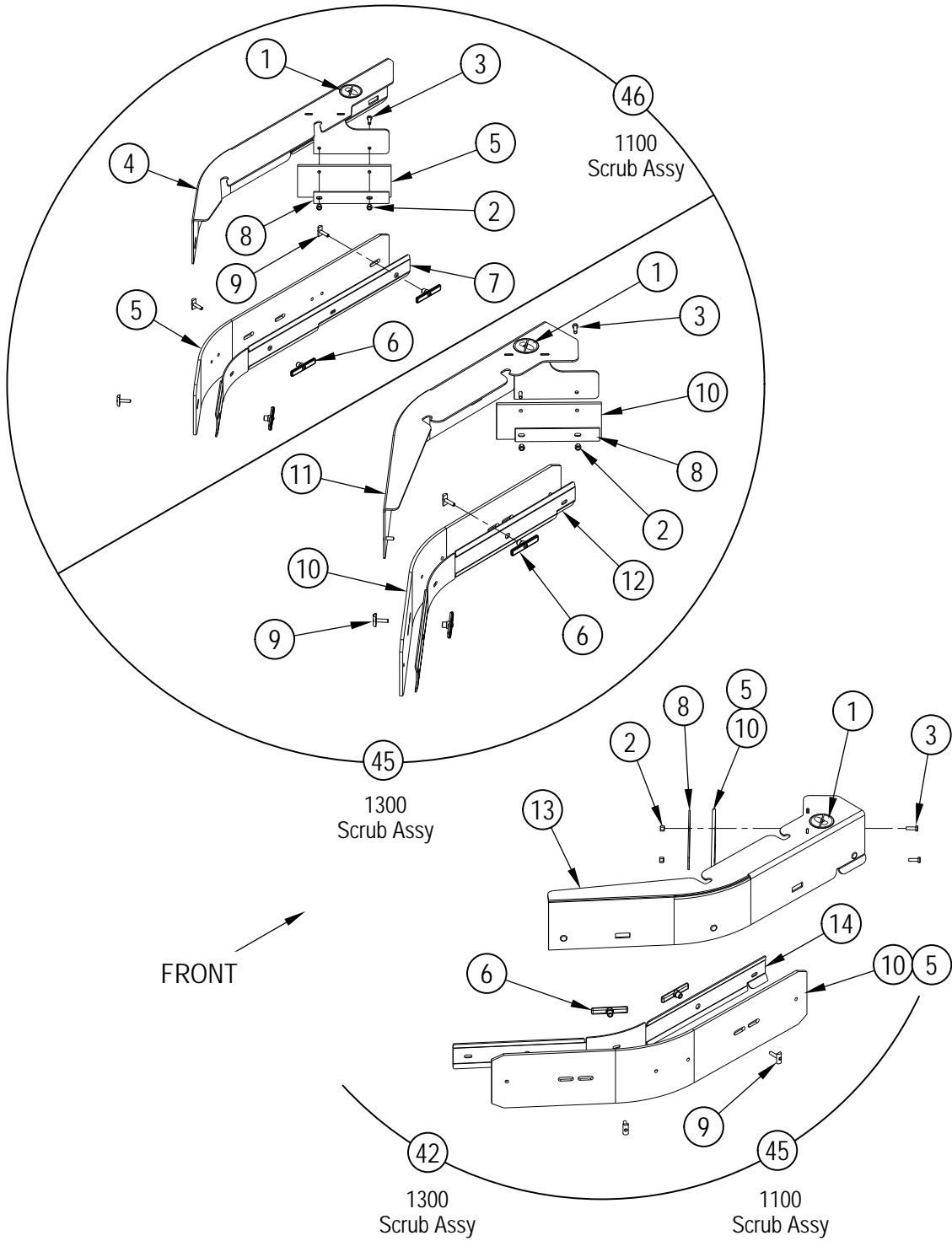
- [1] - (#7-11 / 1100C only)
- [2] - (#7-11 / 1300C only)
- [3] - (#1, 2, 4, 5, 6)
- [4] - (#1-4 / 1300C only)
- [5] - (#9-13)
- [6] - TSB-FC-2016-274 SC6500 Front bumpers bending
- [7] - (1100C)
- [8] - (1300C)



Pos.	Artikel-Nr.	Menge	Variante	Notes
1	56383970	1	DECK ACTUATOR KIT	
1a	56003814	2	PIN-BOW-TIE COT 7/16-1/2X.091	
1b	56003597	1	Bolzen	
1c	56003704	1	Lagerbolzen	
1d	56009019	2	Schraube 1/4-20x.38	
1e	56009062	4	Schraube	
1f	56383887	1	CAP-ACTUATOR SPRING	
1g	56412262	1	Federgehäuse BA750/850	
1h	56413828	1	SPRING UPPER HOUSING	
1i	56413829	1	SPRING LOWER HOUSING	
1j	56420019	1	Mutter arretierung	
1k	56420020	1	Mutter arretierung	
2	56323560	1	Knopf	
3	56002256	2	Schraube 3/8-16x1	
4	56413455	1	MOUNT WELDMENT	
5	56414168	1	SCRUB ASSEMBLY-1100D	
	56414167	1	SCRUB ASSEMBLY-48 IN DISK	[1]

Part Notes:

[1] - (1300D)



Pos.	Artikel-Nr.	Menge	Variante	Notes
45	56413737	1	Seitenabdeckung re	[1]
46	56413738	1	Seitenabdeckung li	[1]
42	56413307	1	Seitenschürze rechts	[2]
45	56413381	1	Seitenschürze, links	[2]
1	56016163	1	Aufkleber no-Step	[3]
2	56003426	2	Stopfmutter M6 Inox	[3]
3	56003454	2	Schraube HEX ZHD TO HD	[3]
4	56413980	1	SKIRT WELDT-LEFT 40D	[1]
5	56413768	1	Seitenschürzen-Set	[4]
	56413767	1	Seitenschürzen-Set	[4]
	56413754	1	Seiten Gummi-Set PU	[4]
6	56413717	3	Spezial Mutter BR 1300SC	[5]
	56413717	2	Spezial Mutter BR 1300SC	[6]
7	56413981	1	STRAP-LEFT 40D	[1]
8	56413991	1	STRAP	[3]
9	56413850	3	Spezial SchraubeBR 1300 SC	[5]
	56413850	2	Spezial SchraubeBR 1300 SC	[6]
10	56413770	1	Seitenschürzen-Set	[7]
	56413769	1	Seitenschürzen-Set	[7]
	56413755	1	Seiten Gummi-Set PU	[7]
11	56413982	1	SKIRT WELDT LEFT 45D-48D	[2]
12	56413983	1	STRAP-LEFT 45D-48D	[2]
13	56413984	1	SKIRT WELDT-RIGHT DISK	
14	56413985	1	STRAP-RIGHT 40D-45D-48D	

Part Notes:

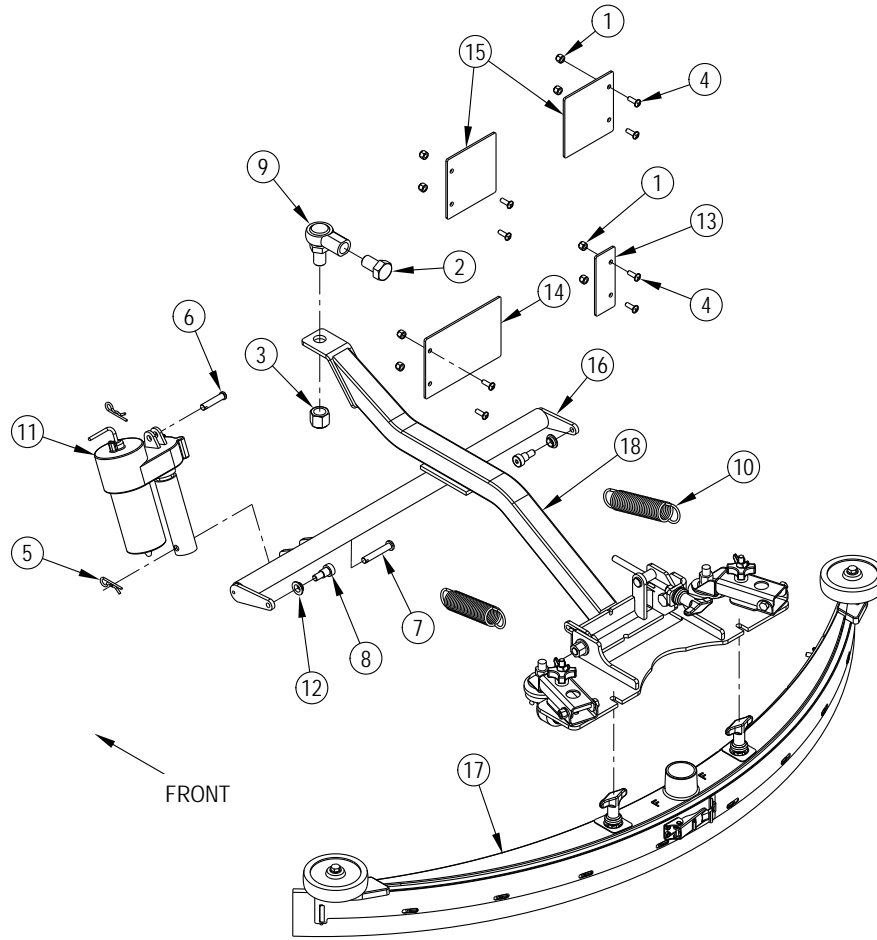
- [1] - (1100D)
- [2] - (1300D)
- [3] - (qty per skirt assy)
- [4] - All scrub deck blade kits include enough blades to replace all blades on both skirt assemblies.

(1100D)
- [5] - (qty per skirt assy)

(1100D)
- [6] - (qty per skirt assy)

(1300D)
- [7] - All scrub deck blade kits include enough blades to replace all blades on both skirt assemblies.

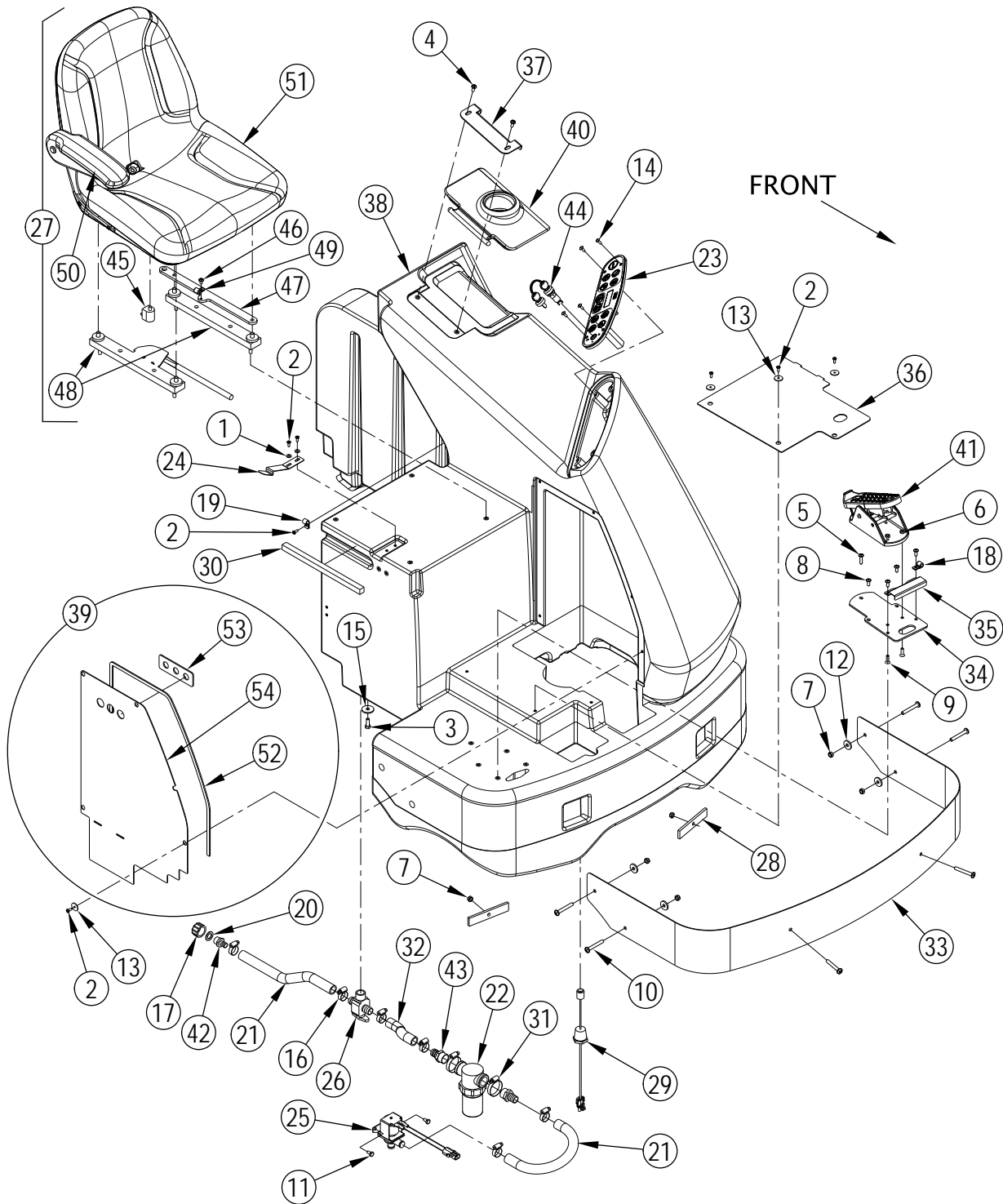
(1300D)



Pos.	Artikel-Nr.	Menge	Variante	Notes
1	56002491	4	Stopmutter 1/4-20	
2	56002739	1	Schraube 3/4-16 x 1.25	
3	56002863	1	NUT HEX NYL LOC 3/4-16	
4	56002957	4	Schraube SS 1/4 - 20 X	
5	56003222	2	"Splint 0.125" x 0.5"	
6	56003597	1	Bolzen	
7	56003656	1	"Bolzen 0.375" x 2.25"	
8	56003912	2	SCR-SOC SHD SS .50X.50X3/8-16	
9	56380431	1	Gelenkkopf	
10	56412216	2	Zugfeder	
11	56413111	1	ACTUATOR 36V	
12	56413211	2	Lagerflansche	
13	56413776	1	STOP PLATE SMALL	[1]
14	56413778	1	STOP PLATE LARGE	[1]
15	56413777	2	STOP PLATE MEDIUM	[2]
16	56413994	1	SQUEEGEE LIFT ARM WELDMENT	
17	56414159	1	SQUEEGEE ASSEMBLY-F	[1]
	56414171	1	SQUEEGEE ASSEMBLY-GUM RUBBER-F	[1]
	56414130	1	SQUEEGEE ASSY-H	[2]
18		1	Squeegee Arm Assembly	[3]

Part Notes:

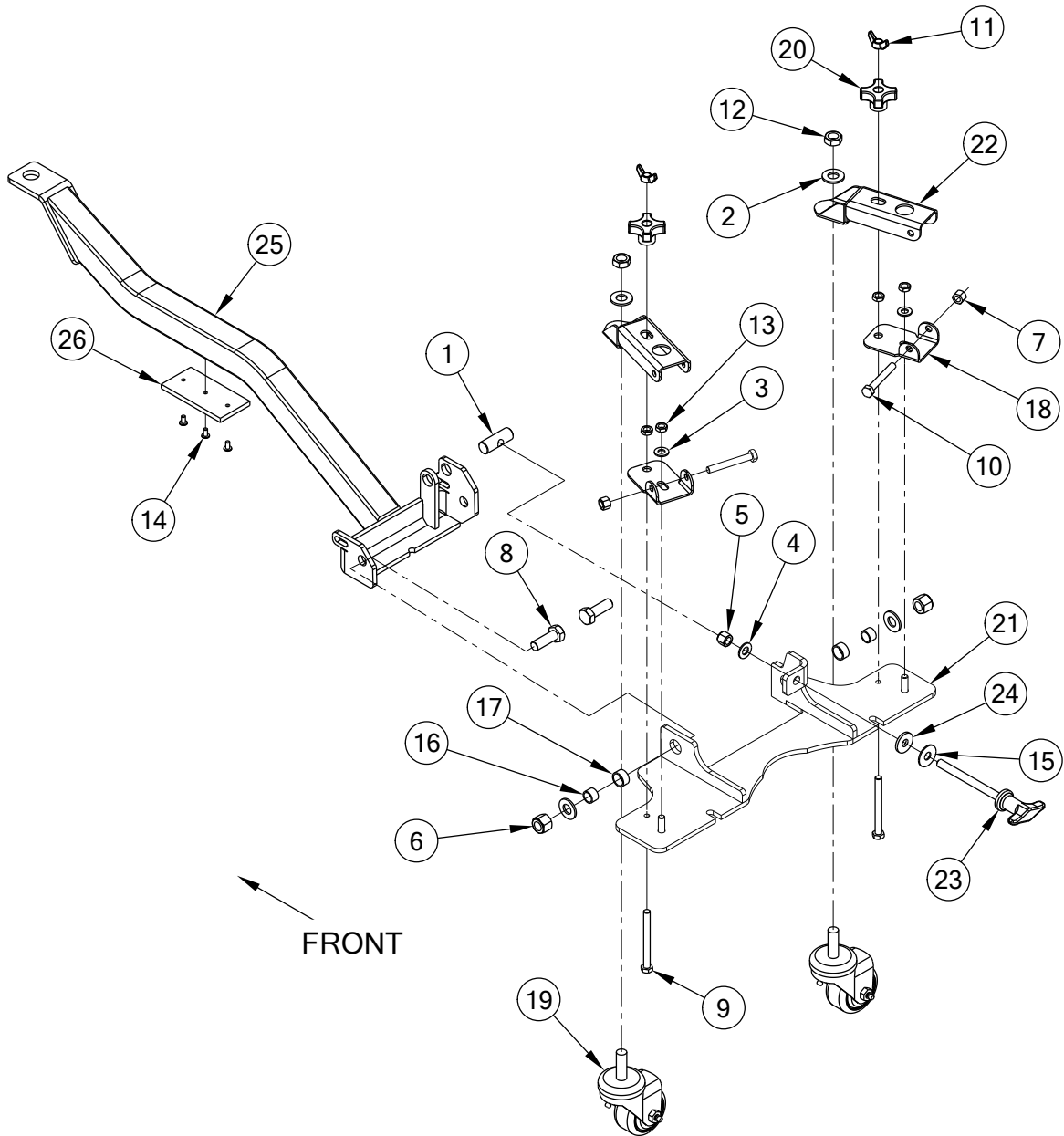
- [1] - (1100D 1100C)
- [2] - (1300D 1300C)
- [3] - Squeegee System-Squeegee Arm Assy



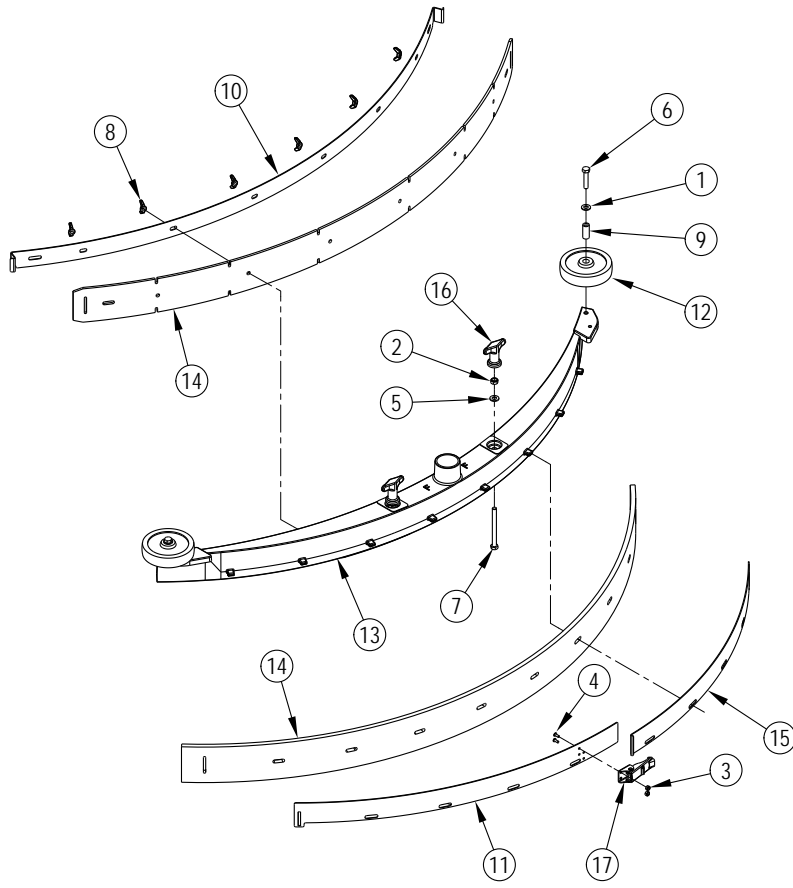
Pos.	Artikel-Nr.	Menge	Variante	Notes
1	56001954	2	WSH FLT SAE 10	
2	56001993	11	SCR PAN HD PHIL 10-24X.50	
3	56002037	4	SCR HEX 5/16-18 X .88	
4	56002066	2	Schraube	
5	56002292	1	Schraube 1/4 20x 1.00	
6	56002708	2	Stopmutter 1/4-20	
7	56002826	6	NUT HEX NYLOC THIN 5/16-1	
8	56002989	4	Schraube	
9	56003086	2	SCR FLT PHIL SS 1/4-20X .88	
10	56003718	6	Schraube	
11	56009033	2	Schraube 1/4-20X1 2HP 5	
12	56009057	4	WSHFLT HARD.344x1.000x	
13	56009096	8	Scheibe zu BR 1000	
14	56009206	4	Schraube TRUSS PHIL BLK	
15	56009294	4	WSH FLT .354x1.247x.120	
16	56112771	6	CLAMP HOSE SAE 10	
17	56255076	1	Frischwasserverschluss zu BA 530	
18	56323260	1	Kabelbride zu BR 1000	
19	56342319	1	CLAMP CABLE .375 AS211E	
20	56368776	1	Dichtung Frischwasser-verschluss zu BA 5	
21	56392193	2	Spiralschlauch zu BA 800	
22	56407162	1	Filter	
23	56381083	1	CONTROL PANEL ASSY	
	56383138	1	PANEL ASSEMBLY	[1]
24	56413482	1	Klammer BR 1100 S	
25	56413510	1	Magnetventil kompl.BR 1300/S	
26	56413581	1	Wasserhahn BR 1300/S	
27	56413619	1	Sitz für BR 1100 S	[2]
28	56413653	2	Anschlußplatte	
29	56413669	1	Schalter, Füllstand	
30	56413811	1	Dichtung	
31	56413839	2	CLAMP HOSE WORM DRIVE	
32	56413876	1	HOSE CLEAR PVC .75X5.50	
33	56413975	1	BUMPER-FRONT	
34	56414066	1	PLATE-PEDAL ADAPTER	
35	56414067	1	COVER-ADAPTER	
36	56414108	1	FLOOR PLATE	
37	56414109	1	BRACKET-LID MOUNT	
38	56414112	1	SOLUTION TANK	
39	56414115	1	ELETRICAL PANEL ASSY	[3]
40	56414117	1	SOLUTION LID ASSEMBLY	
	56413682	1	Dichtung	
41	56385084	1	FOOT PEDAL ASSEMBLY	
42	56900273	1	Schlauchnippel BA 800	
43	56900292	2	Adapter	
44	9100001354	1	SWITCH KEY WITH CAP PKD	
	146 2887 000	1	Schlüssel (2 Stück)	
45	7-82-00050	1	Sitzschalter BR 1300 S	
46	56003603	1	Schraube 1/4-2 OX.38	
47	56109274	1	STRAP	
48	56109300	1	SLIDE KIT NO STUDS	
49	56323260	1	Kabelbride zu BR 1000	
50	56383189	1	ARM REST KIT-R/H ONLY	
51	56383292	1	SEAT-11.25 IN. MOUNT	
52	56413625	1	Dichtung	
53	56413626	1	Dichtung für Sicherung	
54	56414218	1	COVER-ELECTRICAL	

Part Notes:

- [1] - (for 56381083)
- [2] - (46-52)
- [3] - (52-54)



Pos.	Artikel-Nr.	Menge	Variante	Notes
		1	Squeegee Arm Assembly	
1	56324369	1	Stift	
2	56002918	4	Unterlegscheibe	
3	56002938	2	WSH FLT SAE SS 5/16	
4	56002910	1	"Scheibe 3/8""	
5	56002769	1	Stopmutter 3/8-16	
6	56003450	2	Mutter	
7	56003405	2	Stopmutter M8 Inox	
8	56003453	2	Schraube	
9	56003463	2	Schraube 5/16-18x3.25	
10	56003464	2	Schraube M8-1.25x60mm	
11	56003465	2	Flügelmutter 5/16-18	
12	56002770	2	Mutter 1/2 - 13	
13	56009086	4	NUT, HEX JAM 5/16-18	
14	56003913	3	SCR-PAN PHIL LOC SS 10-24X.38	
15	56151068	1	U-Scheibe	
16	56360627	2	Büchse	
17	56370878	2	Lagerbüchse	
18	56111936	2	BRACKET	
19	56407344	2	Rad für BR 850	
20	56407510	2	Drehknopf	
21	56413972	1	SQUEEGEE MOUNT WELDMENT	
22	56413974	2	BRACKET	
23	56414163	1	KNOB-TILT	
24	56413599	1	U-Scheibe	
25	56413973	1	SQUEEGEE ARM WELDMENT	
26	56413742	1	WEAR PAD SQUEEGEE ARM	



Pos.	Artikel-Nr.	Menge	Variante	Notes
	56414159	1	SQUEEGEE ASSEMBLY-F	
	56414171	1	SQUEEGEE ASSEMBLY-GUM RUBBER-F	
1	56001939	2	Flachdichtung 5/16	
2	56002851	2	Mutter NYL LOC-THIN SS5/	
3	56002907	2	NUT HEX NYL LOC SS 6-32	
4	56002909	2	SCR PAN PHL SS6-32X38	
5	56002938	2	WSH FLT SAE SS 5/16	
6	56003437	2	Schraube HEX SS M8-1.25X40MM	
7	56003481	2	Schraube	
8	56009111	6	Flügelmutter 1/4-20	
9	56109581	2	Hülse	
10	56109614	1	Befestigungsbügel, vorn	
11	56109615	1	Befestigungsleiste, hinten	
12	56111639	2	Rad 4.00 DIA.	
13	56413037	1	Absaugleiste (Rohling)	
14	56413762	1	Absaugleisten-Set	[1]
	56413761	1	Absaugleisten-Set, Gummi	[2]
	56413745	1	Absaugleisten-Set PU	[3]
15	56413329	1	Befestigungsleiste, hinten	
16	56370711	2	Mutter	
17	56471194	1	Klemme	

Part Notes:

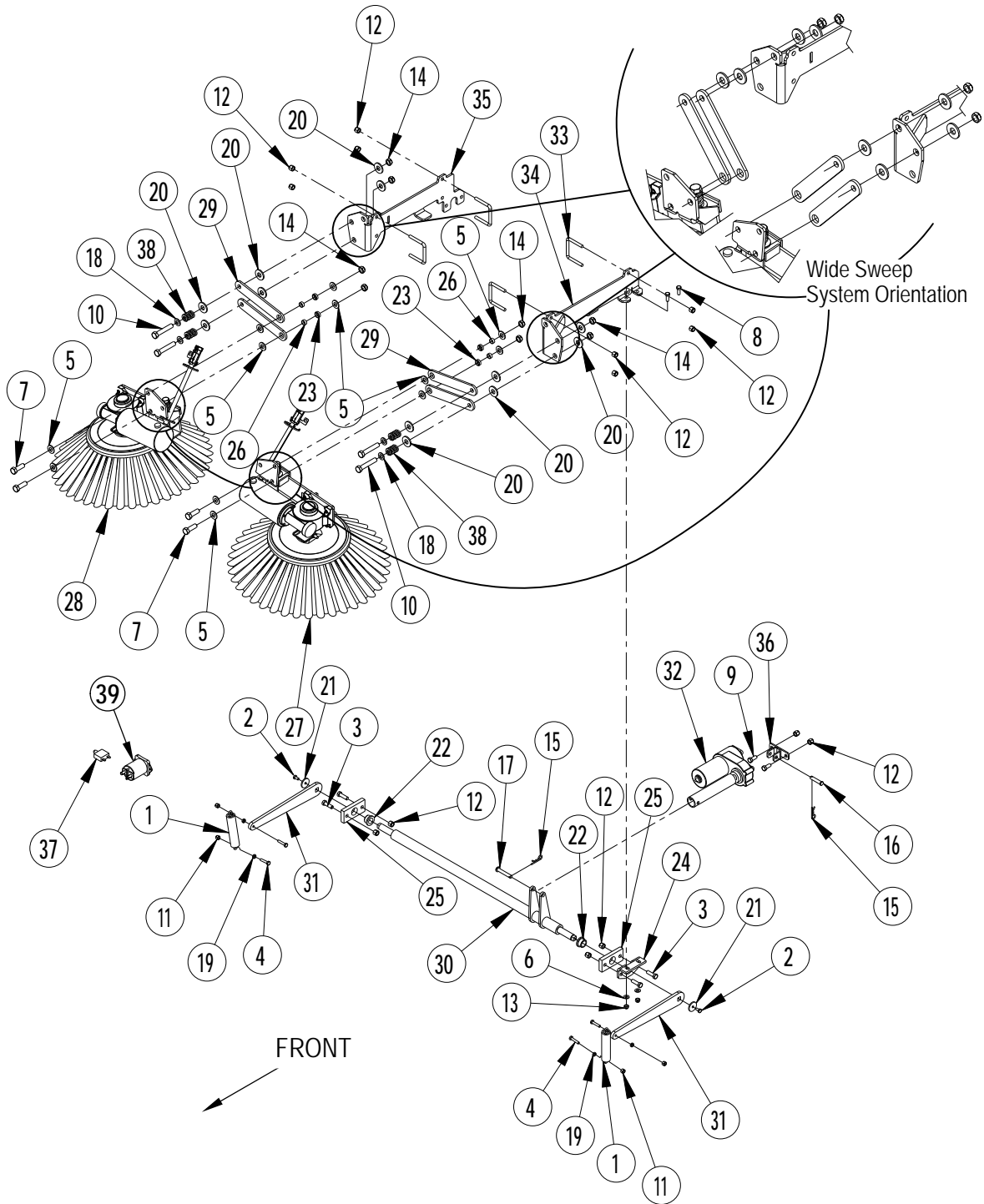
[1] - All squeegee blade kits include both front and rear squeegee blades.

(used on 56414159)

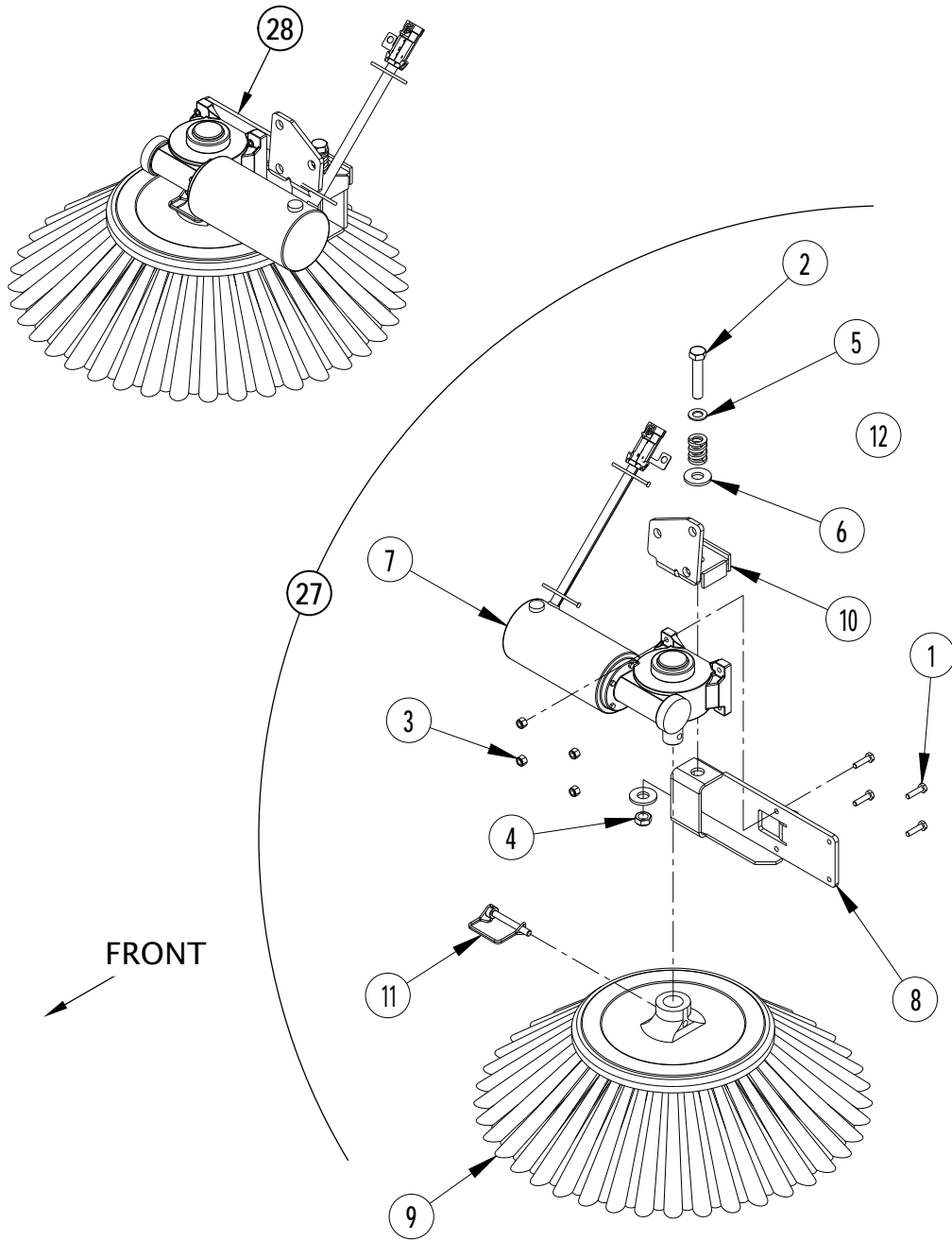
[2] - All squeegee blade kits include both front and rear squeegee blades.

(used on 56414171)

[3] - All squeegee blade kits include both front and rear squeegee blades.



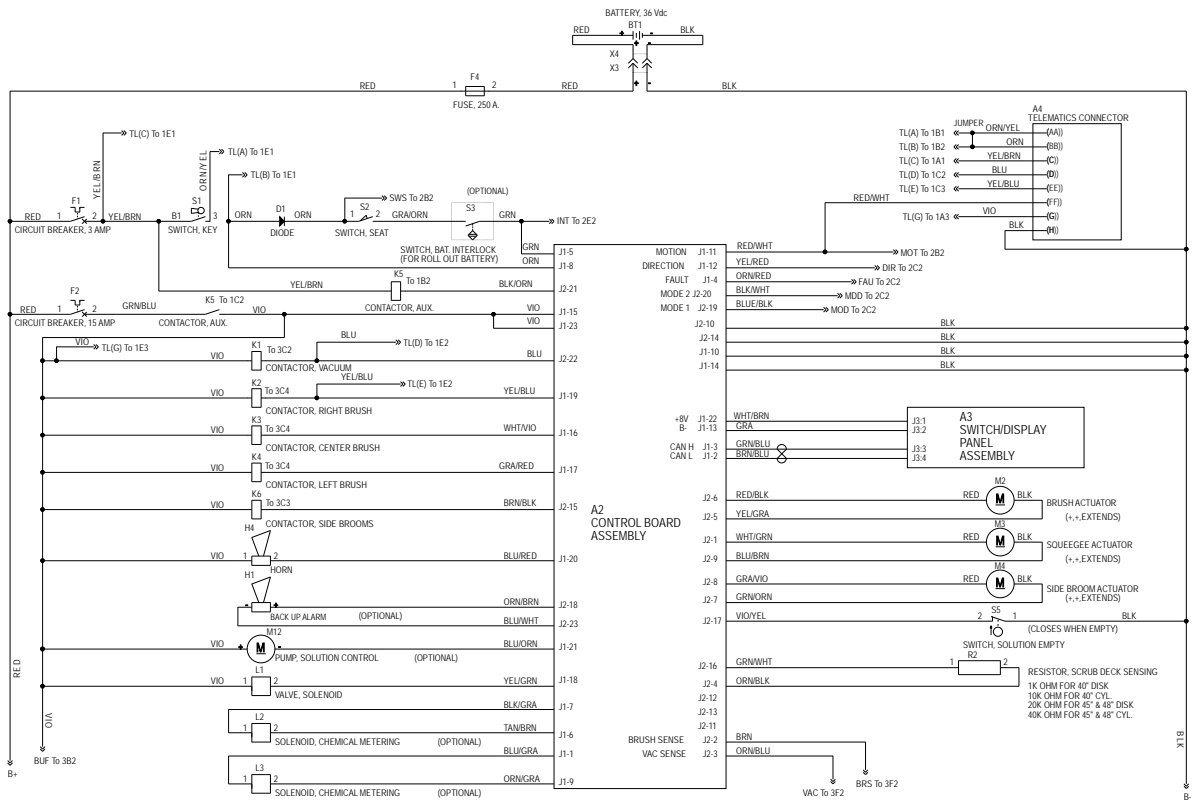
Pos.	Artikel-Nr.	Menge	Variante	Notes
1	56407335	2	Kette Saugfuss BR 850 C	
2	56001854	2	SCHRAUBE HEX HD1/4-20X.50	
3	56001858	4	SCR HEX 3/8 16 X 1.25	
4	56001878	4	SCR HEX HD 1/4-20 X 1.25	
5	56001879	12	U-SCHEIBEN	
6	56001939	2	Flachdichtung 5/16	
7	56001968	4	Schraube	
8	56002037	2	SCR HEX 5/16-18 X .88	
9	56002271	2	Schraube HEX HD 3/8-16x.8	
10	56002680	4	Schraube 1/2 13 x 2.75	
11	56002708	4	Stopmutter 1/4-20	
12	56002769	14	Stopmutter 3/8-16	
13	56002826	2	NUT HEX NYLOC THIN 5/16-1	
14	56002843	8	NUT HEX NYL LOC-THIN1/2-1	
15	56003222	2	"Splint 0.125" x 0.5"'"	
16	56003597	1	Bolzen	
17	56003656	1	"Bolzen 0.375" x 2.25"'"	
18	56009017	4	WSH FLT HARDEN 516x938x75	
19	56009087	4	Muter Hexsam 1/4-20	
20	56009115	12	WSH FLT HARDENED .594X1.	
21	56009199	2	Unterlegscheibe	
22	56303071	2	Hülse	
23	56304893	4	Kunststoffbuchse	
24	56305080	1	BRACKET SIDE BROOM LIFT	
25	56305091	2	Platte	
26	56365030	4	BUSHING CA334D	
27	56413039	1	Seitenbesenmotor BR1100 I	
28	56413040	1	Seitenbesenaggregat RE	
29	56413048	4	Abstandshalter	
30	56413053	1	Stange	
31	56413055	2	Hebearm	
32	56413129	1	Motor 36V BR 1100	
33	56413403	4	Befestigungsklammer	
34	56413453	1	Befestigungswinkel	
35	56413454	1	Befestigungswinkel	
36	56413479	1	ACTUATOR MOUNT WLDT	
37	56413822	1	CIRCUIT BREAKER 20 AMP	
38	56416508	4	Feder	
39	56413516	1	Schütz 36V 200 A	



Pos.	Artikel-Nr.	Menge	Variante	Notes
27	56413039	1	Seitenbesenmotor BR1100 I	
28	56413040	1	Seitenbesenaggregat RE	
1	56002093	4	SCR HEX HD 1/4-20 X 1.00	
2	56002533	1	Schraube HEX HD 1/2-13x2	
3	56002708	4	Stopmutter 1/4-20	
4	56002843	1	NUT HEX NYL LOC-THIN1/2-1	
5	56009017	1	WSH FLT HARDEN 516x938x75	
6	56009115	2	WSH FLT HARDENED .594X1.	
7	56413695	1	Seitenbesenmotor linksBR 1300 S	[1]
	56413696	1	BR 1300S rechtsSeitenbesenmotor	[2]
	52803A	2	Kohlebürste	
8	56413051	1	Halterung	[1]
	56413062	1	Halterung	[2]
9	56413056	1	Seitenbesen	[3]
	56380335	1	Seitenbesen	[4]
10	56413142	1	Befestigung	[1]
	56413143	1	Befestigung	[2]
11	56413845	1	Sicherungssplint BR 1300	
12	56416508	1	Feder	

Part Notes:

- [1] - (56413039)
- [2] - (56413040)
- [3] - (Standard)
- [4] - (Commercial Option)



Pos.	Artikel-Nr.	Menge	Variante	Notes
A1	56414210	1	SPEED CONTROL	
A2	56414222	1	PCB BOX ASSEMBLY	
A3	56381083	1	CONTROL PANEL ASSY	
BT1			Battery	
D1		1	Diode	
D2		1	Diode - part of M15	
F1	56413406	1	Sicherung 3A	[1]
F2	56413407	1	Sicherung 15A	[2]
F3	56413822	1	CIRCUIT BREAKER 20 AMP	[3]
F4	56410044	1	Sicherung 250 Amp..	
H1	56412177	1	Horn RückfahralarmBR 1100S	[4]
H2	56305223	1	Rundumleuchte	[4]
H3	56409239	1	Scheinwerfer	[4]
H4	56482365	1	HORN 36V	
K1	56413516	1	Schütz 36V 200 A	
K2	56413516	1	Schütz 36V 200 A	
K3	56413516	1	Schütz 36V 200 A	[5]
K4	56413516	1	Schütz 36V 200 A	[6]
K5	56413516	1	Schütz 36V 200 A	
K6	56413516	1	Schütz 36V 200 A	
K7	56413516	1	Schütz 36V 200 A	
L1	56413510	1	Magnetventil kompl.BR 1300/S	[7]
M1	56414198	1	WHEEL-DRIVE-AC	
M2	56383970	1	DECK ACTUATOR KIT	
M3	56413111	1	ACTUATOR 36V	
M4	56413129	1	Motor 36V BR 1100	
M5	56410065	1	Saugmotor 36V 3St	
	56212223	1	CARBON BRUSH SET OF 2	
M6	56410065	1	Saugmotor 36V 3St	
	56212223	1	CARBON BRUSH SET OF 2	
M7	56413695	1	Seitenbesenmotor linksBR 1300 S	[8]
	52803A	2	Kohlebürste	[9]
M8	56413696	1	BR 1300S rechtsSeitenbesenmotor	[10]
	52803A	2	Kohlebürste	[11]
M9	56413336	1	Motorgetriebe	[12]
	56410182	1	BEARING B.E.	[13]
	56410183	1	BEARING F.E.	[13]
	56412266	1	BRUSH BOARD ASSY	[13]
	56407500	1	Bürstenkit (Satz)	[13]
	56389395	1	BRUSH SPRING/SET 4	[13]
M9	56303083	1	GEARMOTOR ASSEMBLY	[14]
	56303444	4	SPRING BRUSH	[15]
	56303419	4	Kohlebürste	[15]
M9	56382654	1	Motor 36V 1,5 HP	[16]
	56381479	1	KIT BRUSH AMER MOTOR	[17]
M10	56303083	1	GEARMOTOR ASSEMBLY	[18]
	56303444	4	SPRING BRUSH	[15]
	56303419	4	Kohlebürste	[15]
M10	56382654	1	Motor 36V 1,5 HP	[19]
	56381479	1	KIT BRUSH AMER MOTOR	[20]
M11	56303083	1	GEARMOTOR ASSEMBLY	[21]
	56303444	4	SPRING BRUSH	[15]
	56303419	4	Kohlebürste	[15]
M12	56413810	1	Pumpe 36 V BR 1300 S	[22]
M13	56314984	1	PUMP DETERGENT	[22]
M15	56212014	1	Pumpe 36 V BR 600-800	[4]
	56109587	1	PUMP HEAD ASSY	[23]
	56109588	1	Absperrventil	[23]
M16	56314984	1	PUMP DETERGENT	[22]

Pos.	Artikel-Nr.	Menge	Variante	Notes
R1	56454740	1	Potentiometer 5K	
R2	56413390	1	Widerstand 1k Ohm	[12]
	56413393	1	Diode BR1100S	[24]
	56413392	1	Widerstand 20K Ohm	[25]
	56413391	1	Widerstand 40K Ohm	[26]
S1	9100001354	1	SWITCH KEY WITH CAP PKD	
	146 2887 000	1	Schlüssel (2 Stück)	
S2	56409613	1	Schalter zu Sitz	
S3	56305053	1	Näherungssensor	[4]
S5	56413669	1	Schalter, Füllstand	

Part Notes:

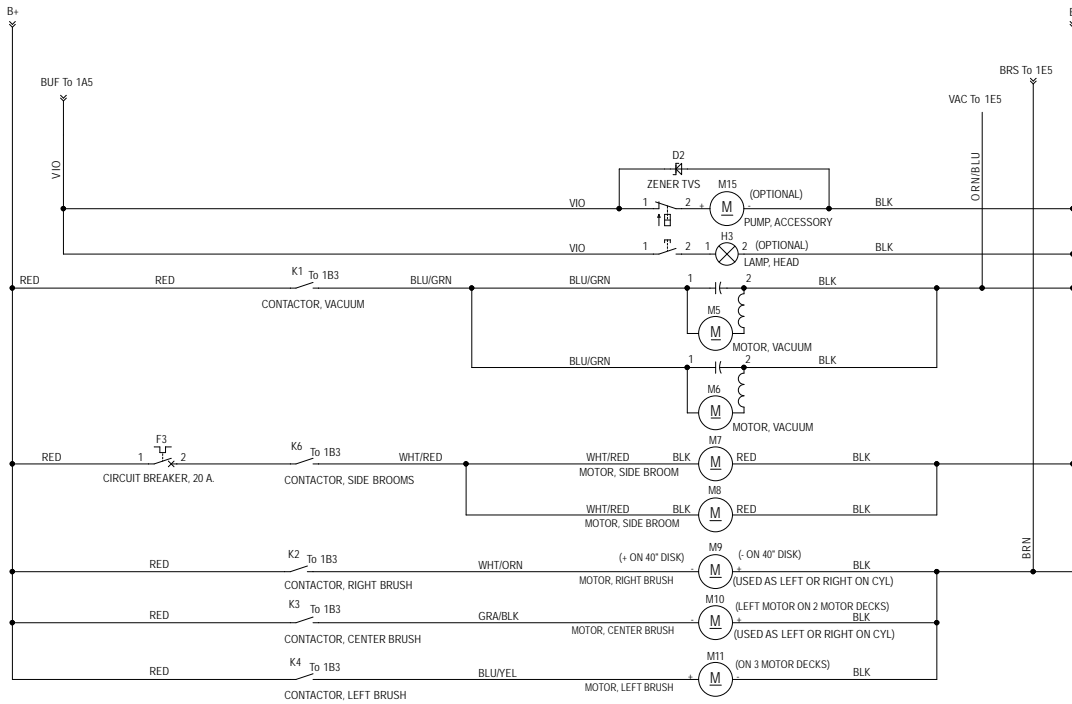
- [1] - (Control Circuit)
- [2] - (Auxiliary Circuit)
- [3] - (Side Brooms)
- [4] - (optional)
- [5] - (1300 disk and all cylindrical)
- [6] - (1300 disk only)
- [7] - TSB-FC-2015-023-Various Machines -Clean water leaking from machine when
DE TSB-FC-2015-023 Div. Maschinen - Undichtes Magnetventil
- [8] - Left-cylindrical models only)
- [9] - 56413695
- [10] - Right-cylindrical models only)
- [11] - for 56413696
- [12] - (1100 disk)
- [13] - (for 56413336)
- [14] - 1300 disk right motor)
- [15] - (for 56303083)
- [16] - (all cylindrical right motor)
- [17] - (for 56382654)
- [18] - (1300 disk center motor)
- [19] - (all cylindrical left motor)
- [20] - for 56382654)
- [21] - (1300 disk left motor)
- [22] - (ECOFLEX)
- [23] - (for 56212014)
- [24] - (1100 cylindrical)
- [25] - (1300 disk)
- [26] - (1300 cylindrical)

Pos.	Artikel-Nr.	Menge	Variante	Notes
A1	56414210	1	SPEED CONTROL	
A2	56414222	1	PCB BOX ASSEMBLY	
A3	56381083	1	CONTROL PANEL ASSY	
BT1			Battery	
D1		1	Diode	
D2		1	Diode - part of M15	[1]
F1	56413406	1	Sicherung 3A	[2]
F2	56413407	1	Sicherung 15A	[3]
F3	56413822	1	CIRCUIT BREAKER 20 AMP	[4]
F4	56410044	1	Sicherung 250 Amp..	
H1	56412177	1	Horn RückfahralarmBR 1100S	[5]
H2	56305223	1	Rundumleuchte	[5]
H3	56409239	1	Scheinwerfer	[5]
H4	56482365	1	HORN 36V	
K1	56413516	1	Schütz 36V 200 A	
K2	56413516	1	Schütz 36V 200 A	
K3	56413516	1	Schütz 36V 200 A	[6]
K4	56413516	1	Schütz 36V 200 A	[7]
K5	56413516	1	Schütz 36V 200 A	
K6	56413516	1	Schütz 36V 200 A	
K7	56413516	1	Schütz 36V 200 A	
L1	56413510	1	Magnetventil kompl.BR 1300/S	
M1	56414198	1	WHEEL-DRIVE-AC	
M2	56383970	1	DECK ACTUATOR KIT	
M3	56413111	1	ACTUATOR 36V	
M4	56413129	1	Motor 36V BR 1100	
M5	56410065	1	Saugmotor 36V 3St	
	56212223	1	CARBON BRUSH SET OF 2	
M6	56410065	1	Saugmotor 36V 3St	[5]
	56212223	1	CARBON BRUSH SET OF 2	
M7	56413695	1	Seitenbesenmotor linksBR 1300 S	[8]
	52803A	2	Kohlebürste	
M8	56413696	1	BR 1300S rechtsSeitenbesenmotor	[9]
	52803A	2	Kohlebürste	
M9	56413336	1	Motorgetriebe	[10]
	56410182	1	BEARING B.E.	
	56410183	1	BEARING F.E.	
	56412266	1	BRUSH BOARD ASSY	
	56407500	1	Bürstenkit (Satz)	
	56389395	1	BRUSH SPRING/SET 4	
M9	56303083	1	GEARMOTOR ASSEMBLY	[11]
	56303444	4	SPRING BRUSH	
	56303419	4	Kohlebürste	
M9	56382654	1	Motor 36V 1,5 HP	[12]
	56381479	1	KIT BRUSH AMER MOTOR	
M10	56303083	1	GEARMOTOR ASSEMBLY	[13]
	56303444	4	SPRING BRUSH	
	56303419	4	Kohlebürste	
M10	56382654	1	Motor 36V 1,5 HP	[14]
	56381479	1	KIT BRUSH AMER MOTOR	
M11	56303083	1	GEARMOTOR ASSEMBLY	[15]
	56303444	4	SPRING BRUSH	
	56303419	4	Kohlebürste	
M12	56413810	1	Pumpe 36 V BR 1300 S	[16]
M13	56314984	1	PUMP DETERGENT	[16]
M15	56212014	1	Pumpe 36 V BR 600-800	[5]
	56109587	1	PUMP HEAD ASSY	
	56109588	1	Absperrventil	
M16	56314984	1	PUMP DETERGENT	[16]

Pos.	Artikel-Nr.	Menge	Variante	Notes
R1	56454740	1	Potentiometer 5K	
R2	56413390	1	Widerstand 1k Ohm	[10]
	56413393	1	Diode BR1100S	[17]
	56413392	1	Widerstand 20K Ohm	[18]
	56413391	1	Widerstand 40K Ohm	[19]
S1	9100001354	1	SWITCH KEY WITH CAP PKD	
	146 2887 000	1	Schlüssel (2 Stück)	
S2	56409613	1	Schalter zu Sitz	
S3	56305053	1	Näherungssensor	[5]
S5	56413669	1	Schalter, Füllstand	

Part Notes:

- [1] - (part of M15)
- [2] - Control Circuit
- [3] - Auxiliary Circuit
- [4] - Side Brooms
- [5] - optional
- [6] - 1300 disk and all cylindrical
- [7] - 1300 disk only
- [8] - Left-cylindrical models only
- [9] - Right-cylindrical models only
- [10] - 1100 disk
- [11] - 1300 disk right motor
- [12] - all cylindrical right motor
- [13] - 1300 disk center motor
- [14] - all cylindrical left motor
- [15] - 1300 disk left motor
- [16] - ECOFLEX
- [17] - 1100 cylindrical
- [18] - 1300 disk
- [19] - 1300 cylindrical



Pos.	Artikel-Nr.	Menge	Variante	Notes
A1	56414210	1	SPEED CONTROL	
A2	56414222	1	PCB BOX ASSEMBLY	
A3	56381083	1	CONTROL PANEL ASSY	
BT1			Battery	
D1		1	Diode	
D2		1	Diode - Part of M15	[1]
F1	56413406	1	Sicherung 3A	[2]
F2	56413407	1	Sicherung 15A	[3]
F3	56413822	1	CIRCUIT BREAKER 20 AMP	[4]
F4	56410044	1	Sicherung 250 Amp..	
H1	56412177	1	Horn RückfahralarmBR 1100S	[5]
H2	56305223	1	Rundumleuchte	[5]
H3	56409239	1	Scheinwerfer	[5]
H4	56482365	1	HORN 36V	
K1	56413516	1	Schütz 36V 200 A	
K2	56413516	1	Schütz 36V 200 A	
K3	56413516	1	Schütz 36V 200 A	
K4	56413516	1	Schütz 36V 200 A	
K5	56413516	1	Schütz 36V 200 A	
K6	56413516	1	Schütz 36V 200 A	
K7	56413516	1	Schütz 36V 200 A	
L1	56413510	1	Magnetventil kompl.BR 1300/S	
M1	56414198	1	WHEEL-DRIVE-AC	
M2	56383970	1	DECK ACTUATOR KIT	
M3	56413111	1	ACTUATOR 36V	
M4	56413129	1	Motor 36V BR 1100	
M5	56410065	1	Saugmotor 36V 3St	
	56212223	1	CARBON BRUSH SET OF 2	
M6	56410065	1	Saugmotor 36V 3St	[5]
	56212223	1	CARBON BRUSH SET OF 2	
M7	56413695	1	Seitenbesenmotor linksBR 1300 S	[6]
	52803A	2	Kohlebürste	
M8	56413696	1	BR 1300S rechtsSeitenbesenmotor	[7]
	52803A	2	Kohlebürste	
M9	56413336	1	Motorgetriebe	[8]
	56410182	1	BEARING B.E.	
	56410183	1	BEARING F.E.	
	56412266	1	BRUSH BOARD ASSY	
	56407500	1	Bürstenkit (Satz)	
	56389395	1	BRUSH SPRING/SET 4	
M9	56303083	1	GEARMOTOR ASSEMBLY	[9]
	56303444	4	SPRING BRUSH	
	56303419	4	Kohlebürste	
M9	56382654	1	Motor 36V 1,5 HP	[10]
	56381479	1	KIT BRUSH AMER MOTOR	
M10	56303083	1	GEARMOTOR ASSEMBLY	[11]
	56303444	4	SPRING BRUSH	
	56303419	4	Kohlebürste	
M10	56382654	1	Motor 36V 1,5 HP	[12]
	56381479	1	KIT BRUSH AMER MOTOR	
M11	56303083	1	GEARMOTOR ASSEMBLY	[13]
	56303444	4	SPRING BRUSH	
	56303419	4	Kohlebürste	
M12	56413810	1	Pumpe 36 V BR 1300 S	[14]
M13	56314984	1	PUMP DETERGENT	[14]
M15	56212014	1	Pumpe 36 V BR 600-800	[5]
	56109587	1	PUMP HEAD ASSY	
	56109588	1	Absperrventil	
M16	56314984	1	PUMP DETERGENT	[14]

Pos.	Artikel-Nr.	Menge	Variante	Notes
R1	56454740	1	Potentiometer 5K	
R2	56413390	1	Widerstand 1k Ohm	[8]
	56413393	1	Diode BR1100S	[15]
	56413392	1	Widerstand 20K Ohm	[16]
	56413391	1	Widerstand 40K Ohm	[17]
S1	9100001354	1	SWITCH KEY WITH CAP PKD	
	146 2887 000	1	Schlüssel (2 Stück)	
S2	56409613	1	Schalter zu Sitz	
S3	56305053	1	Näherungssensor	
S5	56413669	1	Schalter, Füllstand	

Part Notes:

- [1] - part of M15
- [2] - Control Circuit
- [3] - Auxiliary Circuit
- [4] - Side Brooms
- [5] - optional
- [6] - Left-cylindrical models only
- [7] - Right-cylindrical models only
- [8] - 1100 disk
- [9] - 1300 disk right motor
- [10] - all cylindrical right motor
- [11] - 1300 disk center motor
- [12] - all cylindrical left motor
- [13] - 1300 disk left motor
- [14] - ECOFLEX
- [15] - 1100 cylindrical
- [16] - 1300 disk
- [17] - 1300 cylindrical

**No
Diagram
Available**

**Parts List
Only**

Pos.	Artikel-Nr.	Menge	Variante	Notes
			Optional kits	
	56413740	1	KIT BATTERY TRAY	
	56413821	1	2. Saugmotor	
	56413089	1	Stossfänger, vorne	
	56413870	1	Schwerlast-Stoßfänger	
	56414188	1	Stossfänger Grille	
	56413764	1	Komfortsitz	
	56413687	1	Handsprühsaugset	
	56413649	1	Warnleuchte	
	56413681	1	BACKUP ALARM KIT	
	56413774	1	Fahrerschutzdach	
	56383455	1	Sicherheitsgurt-Set	
	56314313	1	Frontlicht	
	56413773	1	Fahrerfußschutz	
	56413685	1	Automatische-Befüllung (FW)	
	56303386	1	DISCONNECT BATTERY BRACKET KIT	
	56303429	1	CART BATTERY EXCHANGE	
	56303430	1	RACK BATTERY STORAGE	
	56413819	1	KIT FLOOR MAT	
	56414145	1	Ecoflex Kit	
			1100D Disk Scrub Brushes	
	56505790	2	Padhalter 20"	
	56505195	2	Padverschluss m. Spange	
	56505791	2	Bürste Sica hart, Magna Grit 3, 500 mm	
	56505792	2	Bürste Sica mittel, Dyna Grit 3, 500 mm	
	56505793	2	Bürste Sica weich, Aglite Grit 3, 500 mm	
	56505794	2	Bürste Prolene, hart, 500 mm	
	56505795	2	Bürste Prolite	
	56505796	2	Bürste Unionmix	
	56505797	2	Bürste Disc-20 Mid Grit	
	56505798	2	Bürste Mid Grit 180, 500 mm	
			1300D Disk Scrub Brushes	
	56505780	2	Padhalter 430 mm	
	56505195	2	Padverschluss m. Spange	
	56505781	2	Bürste Magna Grit, hart 400 mm	
	56505782	2	Bürste Dyna Grit, mittel 400 mm	
	56505783	2	Bürste Aglite, weich 400 mm	
	56505784	2	Bürste PPN hart 430 mm	
	56505785	2	Bürste PPN weich 430 mm	
	56505786	2	Bürste Union Mix 430 mm	
	56505787	2	Bürste Mid Grit 240, 430 mm	
	56505788	2	Bürste Mid Grit 180	
			1100C Cylindrical Scrub Brushes	
	56413113	2	Walzenbürsten Nylon, weich	
	56413114	2	Bürstenwalze, Nylon, hart, weiß	
	56413118	2	Bürstenwalze PP	
	56413115	2	Bürstenwalze, Grit 180	
	56413116	2	Bürstenwalze, Dyna Grit 80	
			1300C Cylindrical Scrub Brushes	
	56413352	2	Walzenbürste Nylon, weich, gelb	
	56413353	2	Walzenbürste Nylon, hart, weiß	
	56413357	2	Walzenbürste PP	
	56413354	2	Walzenbürste Grit 180	
	56413355	2	Bürstenwalze Dyna Grit 80	
			1100D & 1100C Squeegee Blade Kits	[1]
	56413761	1	Absaugleisten-Set, Gummi	[1]
	56413762	1	Absaugleisten-Set	[1]
	56413745	1	Absaugleisten-Set PU	[1]
			1300D & 1300C Squeegee Blade Kits	[1]

Pos.	Artikel-Nr.	Menge	Variante	Notes
	56413765	1	Absaugleisten-Set, Gummi	[1]
	56413766	1	Absaugleisten-Set	[1]
	56413747	1	Absaugleisten-Set PU	[1]
			1100D Disk Deck Blade Kits	[2]
	56413767	1	Seitenschürzen-Set	[2]
	56413768	1	Seitenschürzen-Set	[2]
	56413754	1	Seiten Gummi-Set PU	[2]
			1300D Disk Deck Blade Kits	[2]
	56413769	1	Seitenschürzen-Set	[2]
	56413770	1	Seitenschürzen-Set	[2]
	56413755	1	Seiten Gummi-Set PU	[2]
			Cylindrical Deck Blades	
	56413820	2	Gummileiste	
	56413654	2	Spritz Gummi	
	56413743	2	Seitengummi Polyurethane	
			Optional Battery Kits	
	56413733	1	KIT BATTERY 480AH ROLLOUT	
	56413734	1	KIT BATTERY 480AH	
			Accessories	
	56383571	1	PROGRAMMER-USER	
	56383572	1	PROGRAMMER CABLE-MOLEX	
	56044646	1	LITERATURE PACK	

Part Notes:

- [1] - Squeegee Blade Kits include both front rear squeegee blades.
 [2] - Disk Deck Blade Kits include all skirt assembly blades.

**No
Diagram
Available**

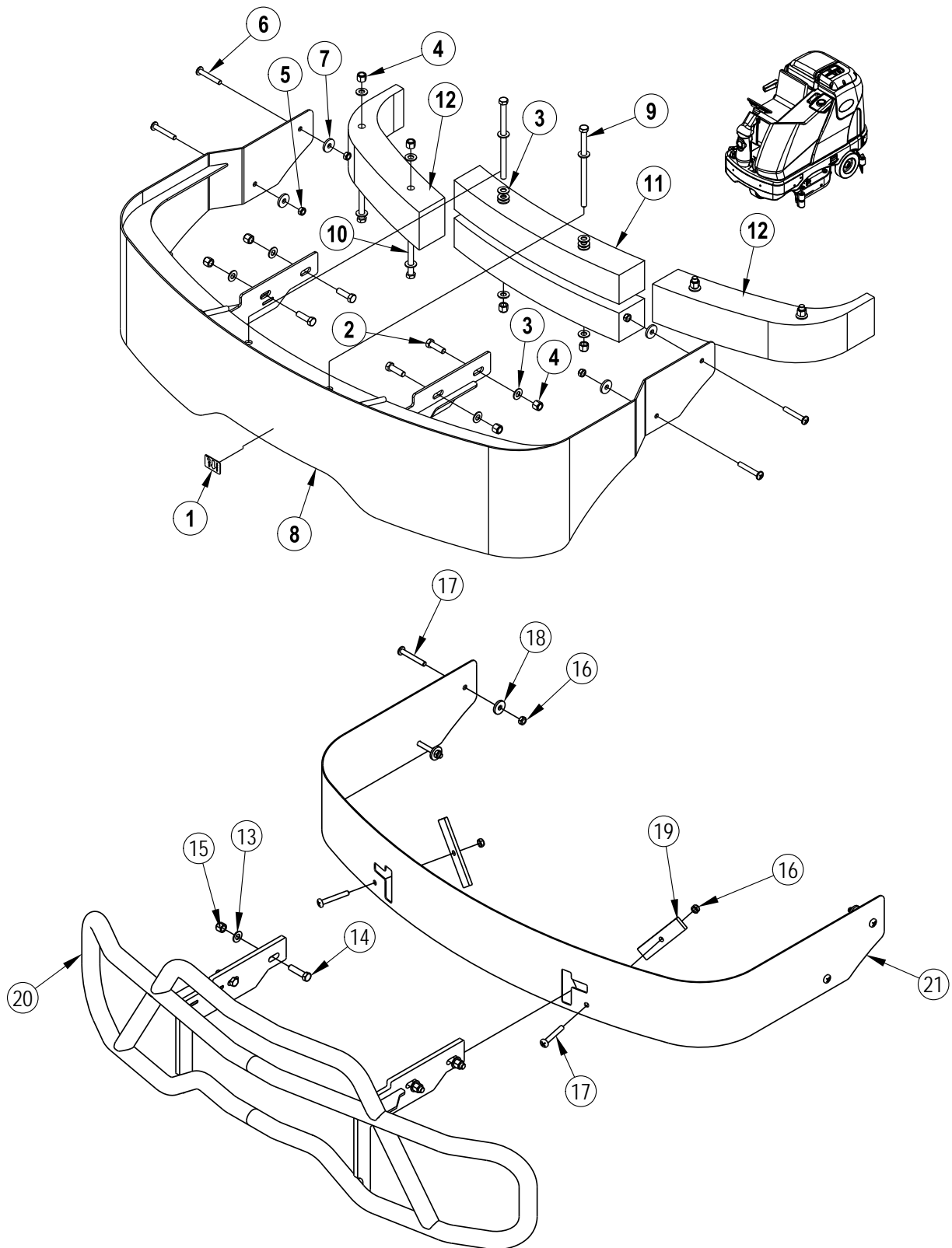
**Parts List
Only**

Pos.	Artikel-Nr.	Menge	Variante	Notes
W =			Normal Wear	
O =			Ordinary Maintenance	
E =			Extra-Ordinary Maintenance	
			CHASSIS	
E	56414139		RIGHT GUARD ASSY	
E	56414140		LEFT GUARD ASSY	
O	56407006		Abweisrolle zu BR 850	
O	56462746		Haubenhalter	
			ELECTRICAL COMPONENTS	
O	56410044		Sicherung 250 Amp..	
E	56482365		HORN 36V	
E	56414210		SPEED CONTROL	
O	56413406		Sicherung 3A	
O	56413407		Sicherung 15A	
O	56413822		CIRCUIT BREAKER 20 AMP	
E	56414222		PCB BOX ASSEMBLY	
O	56413516		Schütz 36V 200 A	
E	56381083		CONTROL PANEL ASSY	
E	9100001354		SWITCH KEY WITH CAP PKD	
E	146 2887 000		Schlüssel (2 Stück)	
E	56601052		Fahrpedal	[1]
			RECOVERY SYSTEM	
O	56212236		Schlauchbride BR 850	
O	56314760		Dichtung	
E	56410065		Saugmotor 36V 3St	
E	56384012		HOSE-DRAIN-PU	
O	56601411		Ablassschlauchdeckel komplBA 755	
E	56413171		Schlauch	
E	56384655		HOSE VACUUM PU KIT	
O	56414192		Dichtung f. Deckel	
O	56413194		Filtersieb zu BR 1300	
O	56413195		Filter BR 1300/S	
			SCRUB SYSTEM	
E	56412262		Federgehäuse BA750/850	
E	56383970		DECK ACTUATOR KIT	
O	56407006		Abweisrolle zu BR 850	
E	56414164		BROOM IDLER ASSY	
E	56414123		LUG ASSY-BROOM DRIVE	
E	56414178		BELT GUARD ASSY	
E	56414125		BELT-AUTO TENSION	
E	56382654		Motor 36V 1,5 HP	
O	56381479		KIT BRUSH AMER MOTOR	
E	56413871		Seitenschürze L.Kompl.	
E	56413556		LEFT SKIRT ASSEMBLY	
E	56413609		RIGHT SKIRT ASSEMBLY	
E	56413336		Motorgetriebe	
O	56407500		Bürstenkit (Satz)	
E	56407196		Getriebe BR 1100	
E	56413307		Seitenschürze rechts	
E	56413313		LEFT SKIRT ASSEMBLY	
O	56413318		Spritz Gummi, vorne	
O	56413319		Spritz Gummi, hinten	
E	56303083		GEARMOTOR ASSEMBLY	
O	56303444		SPRING BRUSH	
			SCRUB SYSTEM (CONTINUED)	
E	56413307		Seitenschürze rechts	
E	56413381		Seitenschürze, links	
O	56413374		Spritz Gummi, vorne	[2]
O	56413379		Seiten Gummi, hinten	

Pos.	Artikel-Nr.	Menge	Variante	Notes
			SOLUTION SYSTEM	
O	56407162		Filter	
O	56384157		GASKET-FILTER	
E	56413581		Wasserhahn BR 1300/S	
E	56413669		Schalter, Füllstand	
E	56413510		Magnetventil kompl.BR 1300/S	
			SQUEEGEE SYSTEM	
E	56413111		ACTUATOR 36V	
O	56407344		Rad für BR 850	
E	56009111		Flügelmutter 1/4-20	
E	56111639		Rad 4.00 DIA.	
E	56370711		Mutter	
O	56471194		Klemme	
			SWEEP SYSTEM	
E	56413039		Seitenbesenmotor BR1100 I	
E	56413040		Seitenbesenaggregat RE	
E	56413129		Motor 36V BR 1100	
E	56413048		Abstandshalter	
E	56413695		Seitenbesenmotor linksBR 1300 S	
E	56413696		BR 1300S rechtsSeitenbesenmotor	
O	52803A		Kohlebürste	
O	56413845		Sicherungssplint BR 1300	
			STEERING SYSTEM	
E	56412198		Lenkkette	
E	56413211		Lagerflansche	
E	56414075		RATCHET-STEERING COLUMN	
E	56414078		ROD-TILT WHEEL	
E	56414082		SPROCKET-10 TOOTH	
E	56454081		Kreuzgelenk zu 5015B	
			FRONT WHEEL SYSTEM	
E	56414198		WHEEL-DRIVE-AC	
O	56414214		WHEEL-3.94X350	
			REAR WHEEL & BRAKE SYSTEM	
E	56413024		Bremse rechts	
E	56413025		Bremsbeläge und Sattel	
E	56413293		Bremsscheibe BR 1100 S	
E	56414127		CABLE ASSY	
E	56407133		Gabelkopf	
E	56414062		WHEEL-REAR-14IN-3.5IN	
E	56414064		BEARING-BALL-30MM X62MM X 16MM	

Part Notes:

- [1] - EXPIRED USE 56385084
- [2] - GUARANTEE DATE EXPIRED



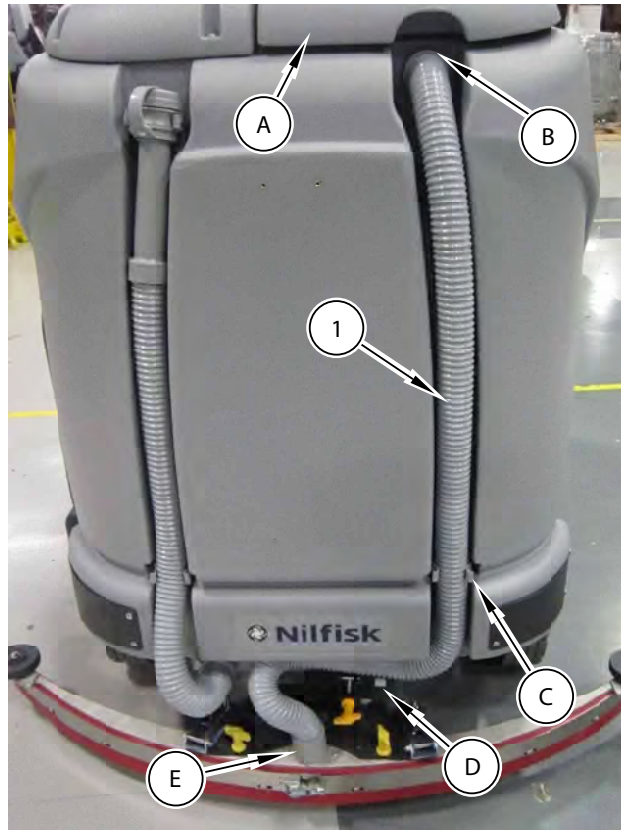
Resource notes:

NOTE: Items (9 - 12 / a quantity of 18 of Item 3 & a quantity of 6 of Item 4) are preassembled to Item (8) in Kit 56413870.

Pos.	Artikel-Nr.	Menge	Variante	Notes
	56413870	1	Schwerlast-Stoßfänger	
	56413089	1	Stoßfänger, vorne	
1	56015370	1	Decal, Tie Down	
2	56001858	4	SCR HEX 3/8 16 X 1.25	
3	56002063	4	"U-Scheibe 3/8""	
4	56002769	4	Stopmutter 3/8-16	
5	56002826	4	NUT HEX NYLOC THIN 5/16-1	
6	56003613	4	SCR PAN PHIL 5/16-18 X 2.00	
7	56009057	4	WSHFLTHARD.344x1.000x	
8	56413993	1	BUMPER-FRONT HEAVY WLDMT	
	56413863	1	BUMPER WEIGHTED WELDMENT	
9	56003044	2	SCR HEX 3/8-16 X 6.50	
10	56009241	4	SCR, HEX 3/8-16x4.25	
11	56413868	2	WEIGHT BUMPER CENTER	
12	56413869	2	WEIGHT BUMPER SIDE	
13	56002063	4	"U-Scheibe 3/8""	
14	56002095	4	Schraube 3/8-16 X 1.50	[1]
15	56002769	4	Stopmutter 3/8-16	
16	56002826	6	NUT HEX NYLOC THIN 5/16-1	
17	56003718	6	Schraube	
18	56009057	4	WSHFLTHARD.344x1.000x	
19	56413653	2	Anschlußplatte	
20	56414180	1	BUMPER WELDMENT	
21	56414187	1	BUMPER-FRONT	

Part Notes:

[1] - EXPIRED USE 56002747



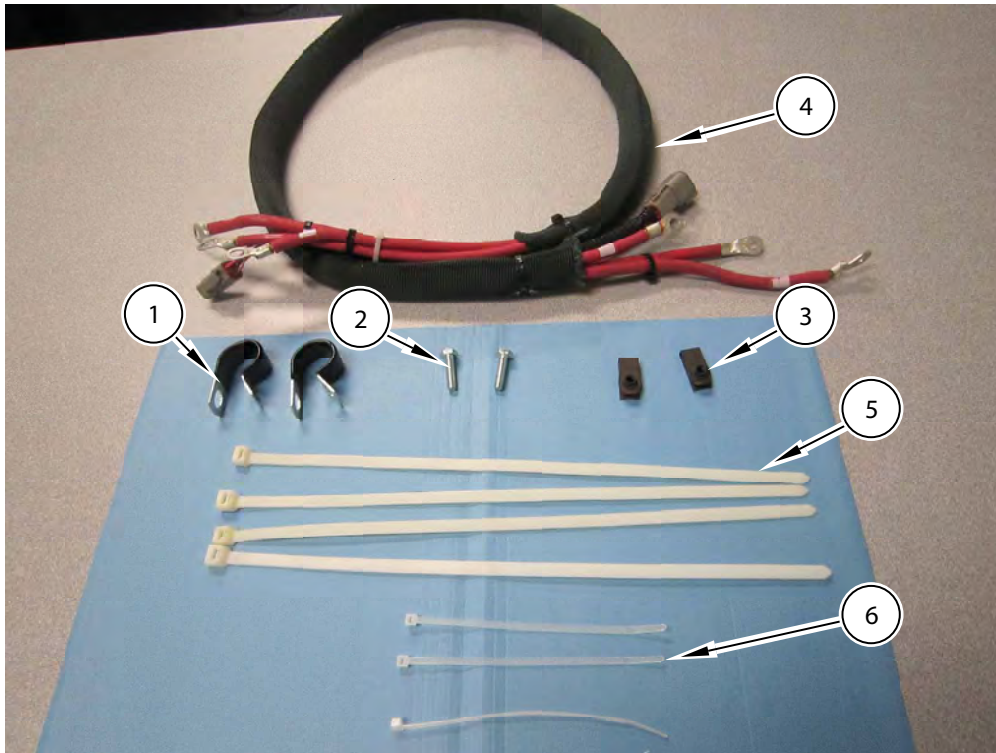
56384655 - HOSE VACUUM PU KIT

SC6500 1100C NIL

2015.10.27

2015.10.27

Pos.	Artikel-Nr.	Menge	Variante	Notes
0	56384655	1	HOSE VACUUM PU KIT	
1		1	Hose - use 56384655	



Pos.	Artikel-Nr.	Menge	Variante	Notes
0	56384713	1	TRACTION HARNESS KIT	[1]
1		2	Clamp, Hose Support	
2		2	Scr-Hex ¼-20 x 1.00	
3		2	Nut, Retainer ¼-20	
4		1	Harness - Traction	
5		4	Cable Tie (Large)	
6		3	Cable Tie (Small)	

Part Notes:

- [1] - TSB-FC-2016-250 SC6500 Drive Harness Routing
DE TSB-FC-2016-250 SC6500 Fahrtriebskabelbaum defekt

