

 **Nilfisk**[®]

 07351-5758060

kontakt@nilfisk-alto-shop.com



Preisabfrage bzw. Bestellungen der Artikel im Shop unter

www.nilfisk-alto-shop.com

einfach die Artikelnummer in die Suchmaske eingeben

(Bitte die Artikelnummer ohne Leerzeichen eingeben)

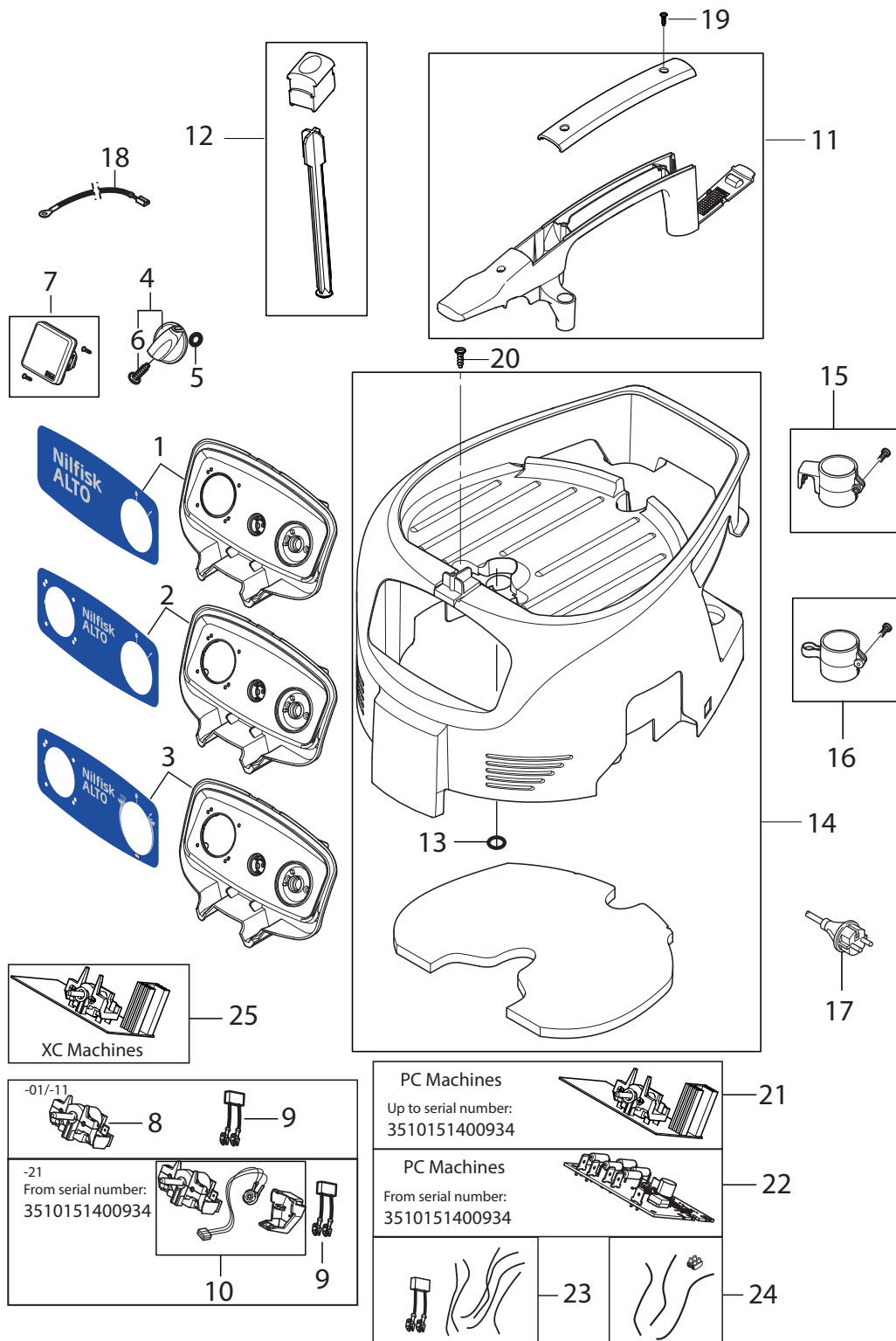
PARTS LIST



2017.08.02

TABLE OF CONTENTS

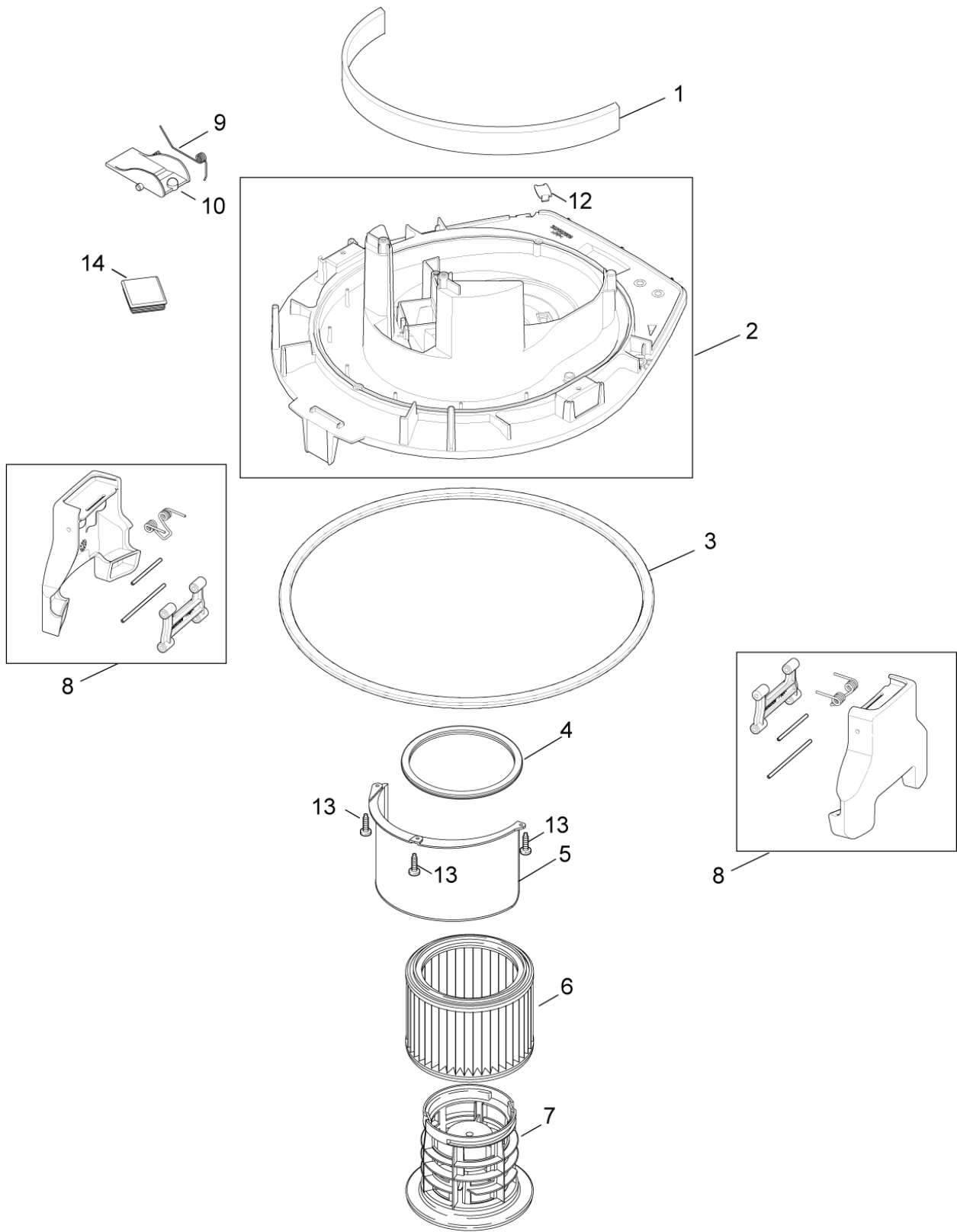
| | |
|---|----|
| Gehäuse PC, Basic, XC | 1 |
| Filterabreinigungssystem PC | 4 |
| Filterabreinigungssystem XC ab 2009 | 6 |
| Motor, Basic und PC | 8 |
| Motor XC | 10 |
| Behälter ATTIX 40 | 12 |
| Accessories | 14 |
| RECOMMENDED SPARE PARTS | 16 |



| Pos. | Artikel-Nr. | Menge | Variante | Notes |
|------|-------------|-------|--|-------|
| 00 | 302003502 | 1 | Verpackungskarton | |
| 00 | 302003503 | 1 | BOX KIT ATTIX 40 | |
| 00 | 302003504 | 1 | Verpackung ATTIX 50 | |
| 1 | 302004047 | 1 | Schaltkasten NILFISK-ALTO | |
| 2 | 302004048 | 1 | Schaltkasten NILFISK-ALTO | |
| 3 | 302004049 | 1 | Schaltkasten NILFISK-ALTO | [1] |
| 4 | 909100204 | 1 | Drehknopf 6x5 blau | |
| 5 | 9868 | 1 | O-Ring 10x2,5 | |
| 6 | 32526 | 1 | Schraube BL- 2,9X19 B | |
| 7 | 302004036 | 1 | Steckdose | |
| 7 | 302004336 | 1 | Steckdose 2 polig 13A. | |
| 7 | 107400060 | 1 | STECKDOSE 16A/250V DK | |
| 7 | 302004034 | 1 | Steckdose | |
| 7 | 107400059 | 1 | Steckdose 10A/250V CH | |
| 7 | 107400057 | 1 | STECKDOSE 16A/110V GB | |
| 7 | 302004338 | 1 | SOCKET 15A/125V US/CSA | |
| 8 | 107413448 | 1 | ROTARY SWITCH 2 POS 16A KIT | [2] |
| 9 | 107404542 | 1 | Entstörkondensator | |
| 10 | 107413449 | 1 | ROTARY SWITCH 3 POS+REG 16A KIT | [3] |
| 11 | 302004050 | 1 | Traggriff | [4] |
| 11 | 107400062 | 1 | Griff Attix 30 40 50 PC | [5] |
| 12 | 302004051 | 1 | FILTER ENTSTAUBER | [6] |
| 13 | 302004061 | 1 | O-RING 25X2 NBR 70 | |
| 14 | 107400061 | 1 | ABDECKUNG SCHWARZ BASIC X | |
| 14 | 302004046 | 1 | ABDECKUNG SCHWARZ PC | |
| 15 | 302004027 | 1 | Halter | |
| 16 | 107400064 | 1 | ROHRHALTER | |
| 17 | 107402644 | 1 | Netzkabel H05RR-F2X0 | [7] |
| 17 | 107417418 | 1 | POWER CORD KIT VCTF 1.25MM 3C JP PSE | [8] |
| 17 | 107400268 | 1 | CORD H05RR-F 2X0.75 GB | |
| 17 | 107409849 | 1 | Anschlussleitung AUS, NZ | [9] |
| 17 | 302004038 | 1 | Anschlussleitung GB, IRL, MAL | [10] |
| 17 | 302000882 | 1 | Netz-Ltg SJTW-AWG16/3X8 | [11] |
| 17 | 107402642 | 1 | Netzkabel | [12] |
| 17 | 107400267 | 1 | Anschlussleitung CH | [13] |
| 17 | 302004014 | 1 | Anschlussleitung Europa | [14] |
| 17 | 107402641 | 1 | Anschlussleitung Europa | [15] |
| 17 | 107400272 | 1 | CORD H05RR-F 3G1.5 ZA | [16] |
| 17 | 302004040 | 1 | Anschlussleitung J | [17] |
| 17 | 107400271 | 1 | Anschlussleitung H07BQ-F 3G2.5 GB | [18] |
| 17 | 107400270 | 1 | Anschlussleitung H05RR-F 3G1,5 BS1 363 G | [19] |
| 17 | 107400266 | 1 | Kabel H05RR-F 2X0.75 Attix 30-01 | [20] |
| 17 | 107409133 | 1 | POWER CORD EU | [21] |
| 18 | 107400263 | 1 | Kabel 2,5X150 YE/GR | |
| 18 | 107400264 | 1 | Kabelsatz 1x150 220V-240V | |
| 19 | 302004032 | 1 | Schraube 3.5X18 | |
| 20 | 302004029 | 1 | SCREW 5X18 | |
| 21 | 302004060 | 1 | Ein Aus Schalter Softstar | [22] |
| 21 | 302004011 | 1 | Auto On-Off Schalter Elektronik | [23] |
| 21 | 107400470 | 1 | AUTO EIN-/AUS-ELEKTRONIK PC | [24] |
| 22 | 107413465 | 1 | SOFTSTART PCBA 1-STAGE KIT1 220-240V | [25] |
| 22 | 107413466 | 1 | SOFTSTART PCBA 1-STAGE KIT1 100-120V | [26] |
| 22 | 107413467 | 1 | AUTO ON/OFF PCBA 1-STAGE KIT1 220-240V | [27] |
| 22 | 107413468 | 1 | AUTO ON/OFF PCBA 1-STAGE KIT1 100-120V | [28] |
| 23 | 107414081 | 1 | WIRE/CAPACITOR KIT1 | |
| 24 | 107414082 | 1 | WIRES FOR US SOCKET KIT | [29] |
| 25 | 107400261 | 1 | Elektronik Attix 30,50 XC | [30] |
| 25 | 107400260 | 1 | Elektronik Attix 30,50 XC | [31] |

Part Notes:

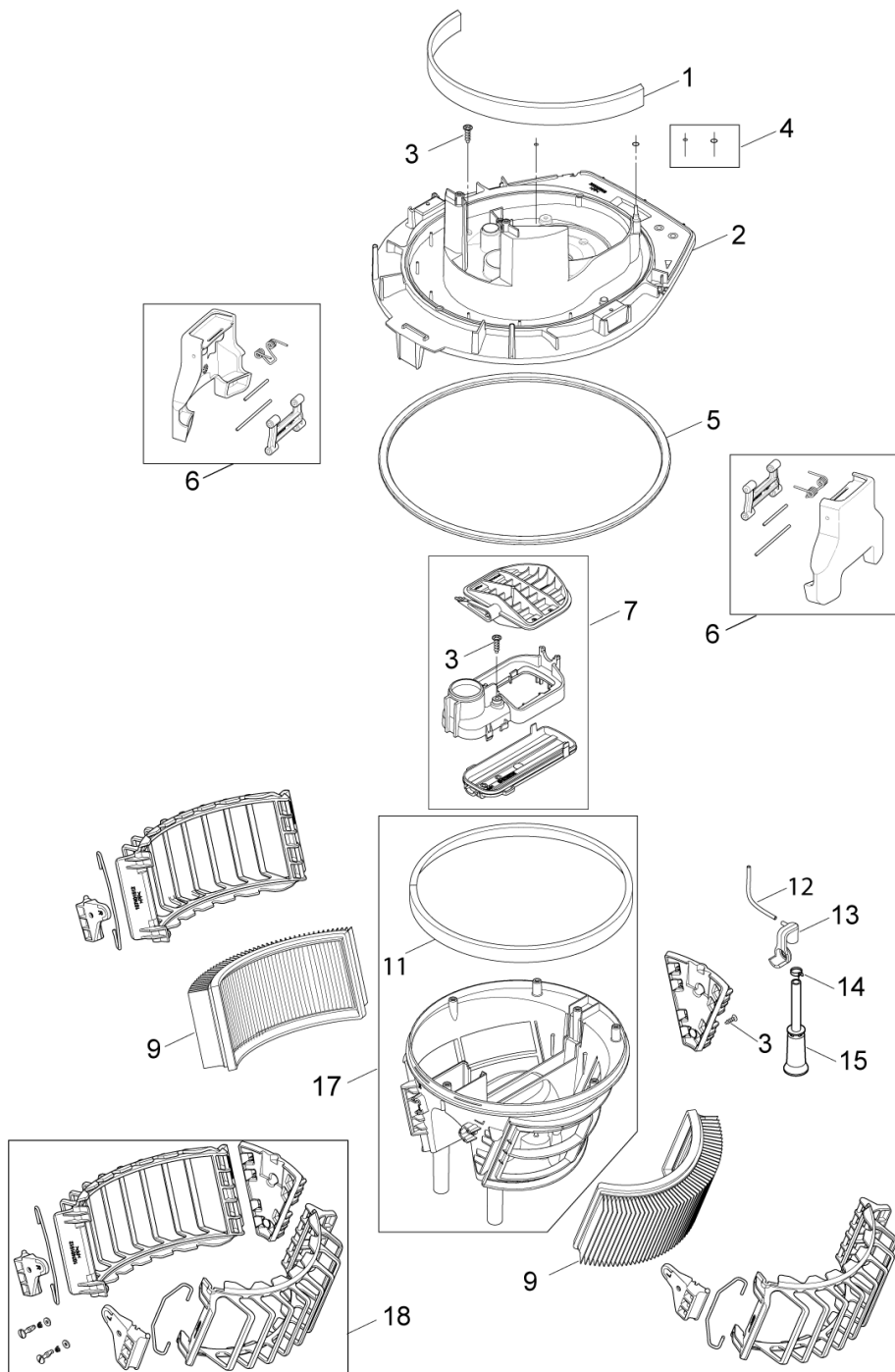
- [1] - for Push clean and XC
- [2] - for -01 PC without softstart
- [3] - From Serial Number 3510151400934
- [4] - Basic/XC
- [5] - for Push clean
- [6] - Only Push Clean models
- [7] - 220-240V 50/60HZ EU
- [8] - 100V 50/60HZ JP
- [9] - ATTIX 30-01 PC 240V 50HZ AU
- [10] - GB
- [11] - 120V 60HZ US
- [12] - DK - grounding
- [13] - 220-240V 50/60HZ CH
- [14] - ATTIX 30-01 PC 220-240V 50/60HZ EU
- [15] - 21 XC 230/1/50 EU
- [16] - 220-240V 50/60HZ ZA
- [17] - 100V/50-60HZ JP (Approval UL)
- [18] - 110 1 50 GB
- [19] - 0H PC 230/1/50 GB, 2M PC 230/1/50 GB
- [20] - 230/1/50 CH
- [21] - Orange 220-240V 50/60HZ EU
- [22] - for -01 PC, -11PC (230-240V)
Up to Serial Number 3510151400934
PB-COM-LI-2015-001 ATTIX 30-40-50 PC_New Electronics
- [23] - for -21 PC (230-240V)
Up to Serial Number 3510151400934
PB-COM-LI-2015-001 ATTIX 30-40-50 PC_New Electronics
- [24] - for -21 PC (110-120V)
Up to Serial Number 3510151400934
PB-COM-LI-2015-001 ATTIX 30-40-50 PC_New Electronics
- [25] - -01 PC, -11 PC (230-240V), From Serial Number 3510151400934
PB-COM-LI-2015-001 ATTIX 30-40-50 PC_New Electronics
- [26] - -01 PC (110-120V) From Serial Number 3510151400934
PB-COM-LI-2015-001 ATTIX 30-40-50 PC_New Electronics
- [27] - -21 PC (230V), From Serial Number 3510151400934
PB-COM-LI-2015-001 ATTIX 30-40-50 PC_New Electronics
- [28] - -21 PC (100-120V) From Serial Number 3510151400934
PB-COM-LI-2015-001 ATTIX 30-40-50 PC_New Electronics
- [29] - US only
- [30] - for -21 XC (100-120V)
PB-COM-LI-2015-001 ATTIX 30-40-50 PC_New Electronics
- [31] - for -21 XC(230-240V)
PB-COM-LI-2015-001 ATTIX 30-40-50 PC_New Electronics



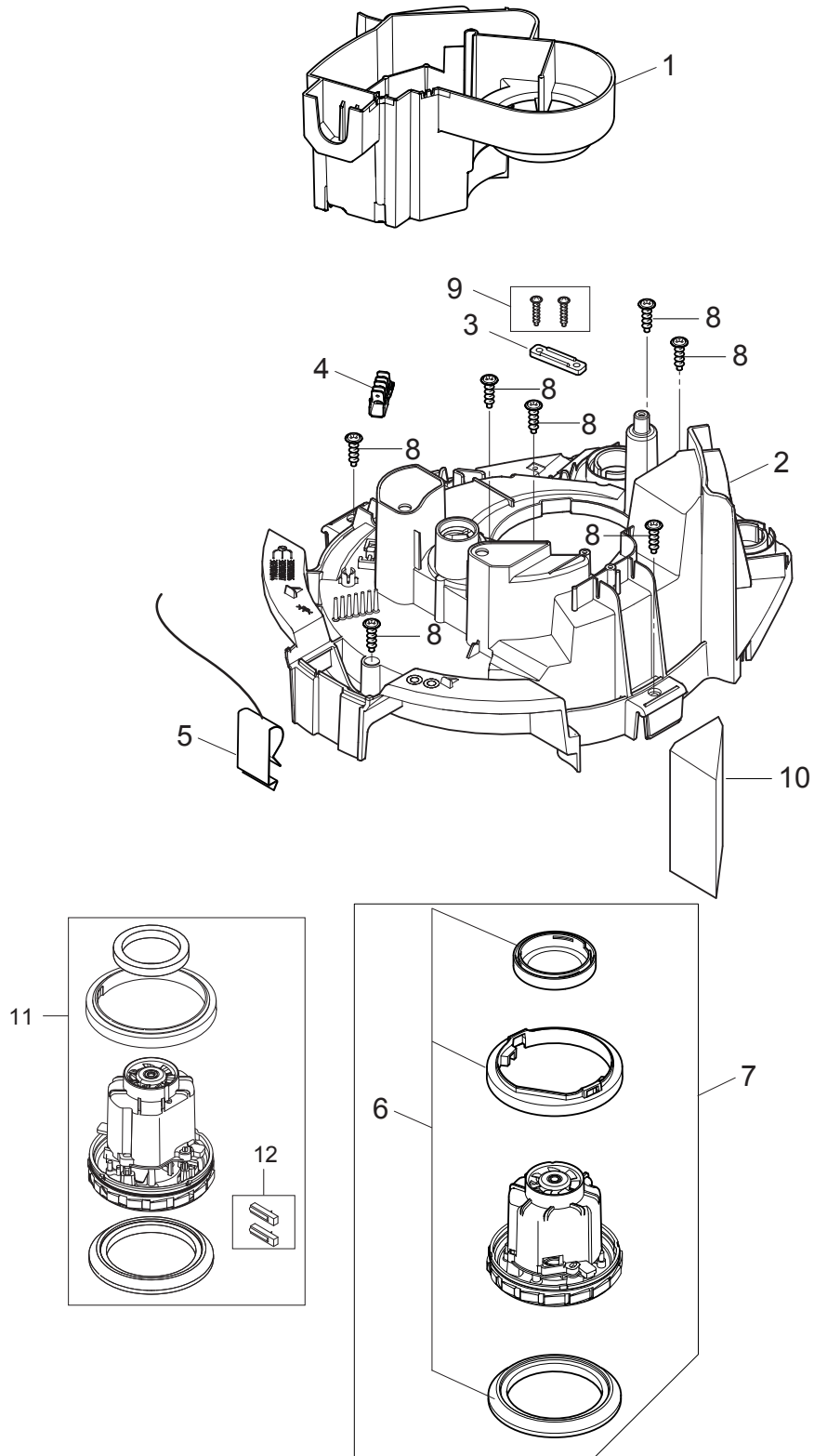
| Pos. | Artikel-Nr. | Menge | Variante | Notes |
|------|-------------|-------|-----------------------------------|-------|
| 1 | 302004010 | 1 | Dämmeinlage | |
| 2 | 302004007 | 1 | Motorgehäuse | |
| 3 | 302004008 | 1 | Dichtring | |
| 4 | 302000460 | 1 | Dichtring | |
| 5 | 302004016 | 1 | Abweiser | |
| 6 | 302001095 | 1 | HEPA Filterelement Ø185X140 mm | [1] |
| 6 | 302000490 | 1 | Filterelement Ø 185x140 mm | |
| 7 | 107402646 | 1 | Filterkorb | |
| 8 | 107400301 | 2 | Klammer | |
| 9 | 909100083 | 1 | Schenkelfeder | |
| 10 | 302000344 | 1 | Klappe | |
| 12 | 107401937 | 1 | Stopfen Grundplatte, Kit | [2] |
| 13 | 302003704 | 3 | SCHRAUBE PT50X18WN5451 EJOT DELAT | |
| 14 | 302004058 | 1 | ABDICHTUNG FÜR BASIC | |

Part Notes:

- [1] - HEPA
- [2] - For machines up to week 35.2011



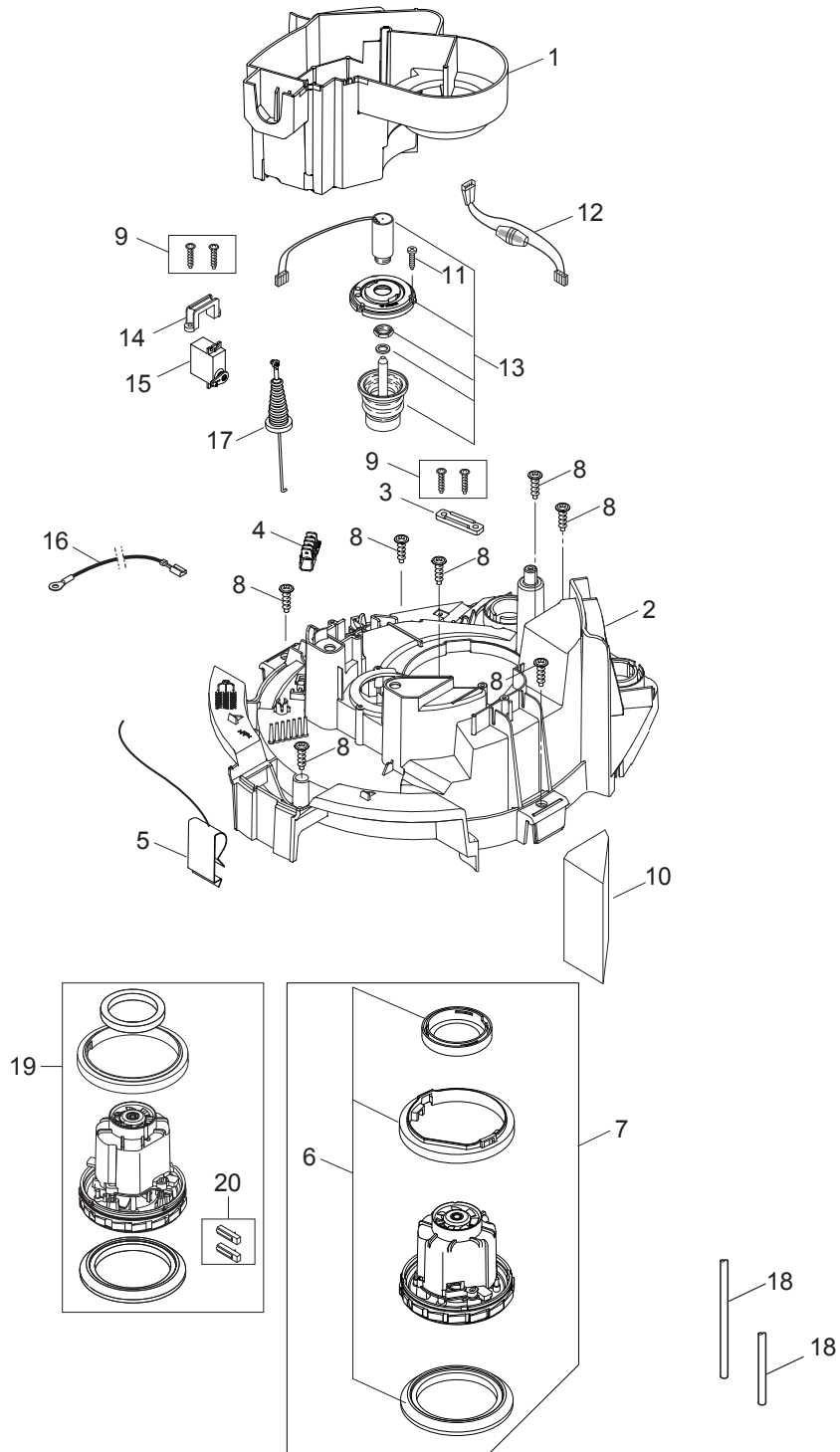
| Pos. | Artikel-Nr. | Menge | Variante | Notes |
|------|-------------|-------|---------------------------|-------|
| 1 | 302004010 | 1 | Dämmeinlage | |
| 2 | 107400300 | 1 | Grundplatte XC | |
| 3 | 302004029 | 9 | SCREW 5X18 | |
| 4 | 107400274 | 1 | O-RING XC KIT | |
| 5 | 107400056 | 1 | GASKET FOR CONTAINER | |
| 6 | 107400301 | 2 | Klammer | |
| 7 | 107400277 | 1 | Deckel für ATTIX 50-21 XC | |
| 9 | 302002842 | 1 | Flachfilter 2 Stück | |
| 11 | 107400283 | 1 | Abdichtung XC | |
| 12 | 107400855 | 1 | HOSE D3X1.5 TURBINE | |
| 13 | 107400310 | 1 | Halterung Niveauschalter | |
| 14 | 107400285 | 1 | Drahtklemme | |
| 15 | 107400303 | 1 | Schlauch D42X155 | |
| 17 | 107400302 | 1 | Filterklammer XC | |
| 18 | 107402255 | 1 | Filterbefestigungskit | |



| Pos. | Artikel-Nr. | Menge | Variante | Notes |
|------|-------------|-------|--------------------------------------|-------|
| 1 | 302004015 | 1 | Luftkanal | [1] |
| 2 | 302004009 | 1 | Deckel | |
| 3 | 302004030 | 1 | Lasche | |
| 4 | 302004031 | 1 | Steckverteiler | |
| 5 | 302004023 | 1 | Ableiter | |
| 6 | 302003385 | 1 | Satz Gummiringe | |
| 7 | 302003384 | 1 | Elektromotor 230/240 V | |
| 7 | 302004006 | 1 | Elektromotor 100 V/50, 60 Hz | |
| 8 | 302004029 | 7 | SCREW 5X18 | |
| 9 | 302004032 | 1 | Schraube 3.5X18 | |
| 10 | 302004045 | 1 | Diffusor | |
| 11 | 107417417 | 1 | MOTOR KIT 1000W 110-120V 50/60HZ | [2] |
| 12 | 107417399 | 1 | CARBON BRUSH ASSY KIT 2 PCS 110-120V | [2] |

Part Notes:

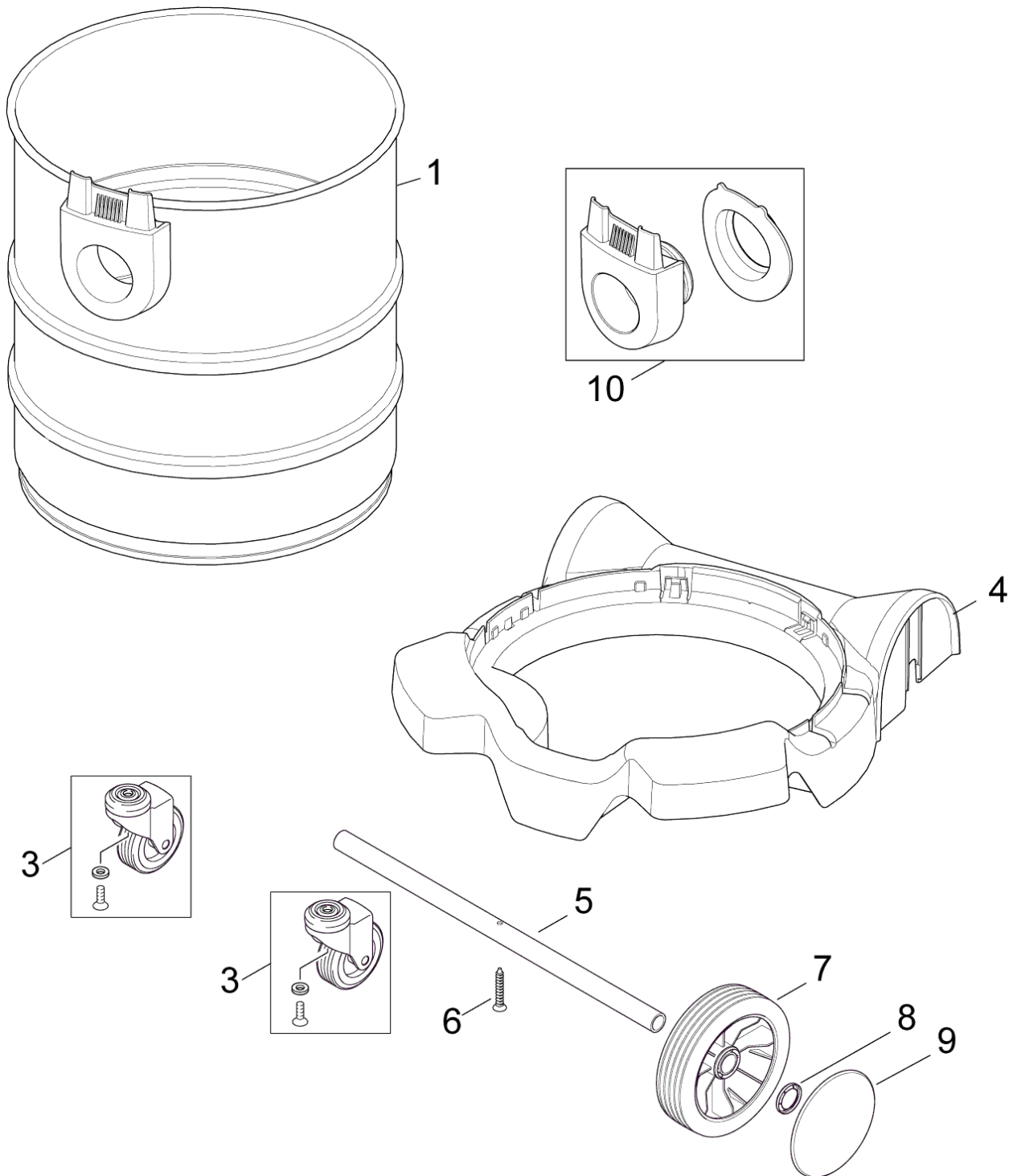
- [1] - During service or repair of vacuum head always change Airguide 302004015 and Cover for air circuit 107401051
- [2] - 110V 50HZ GB, 120V 60HZ US
- TSB-LI-VACS-2016-001 New Attix 30 and Attix 50 motor



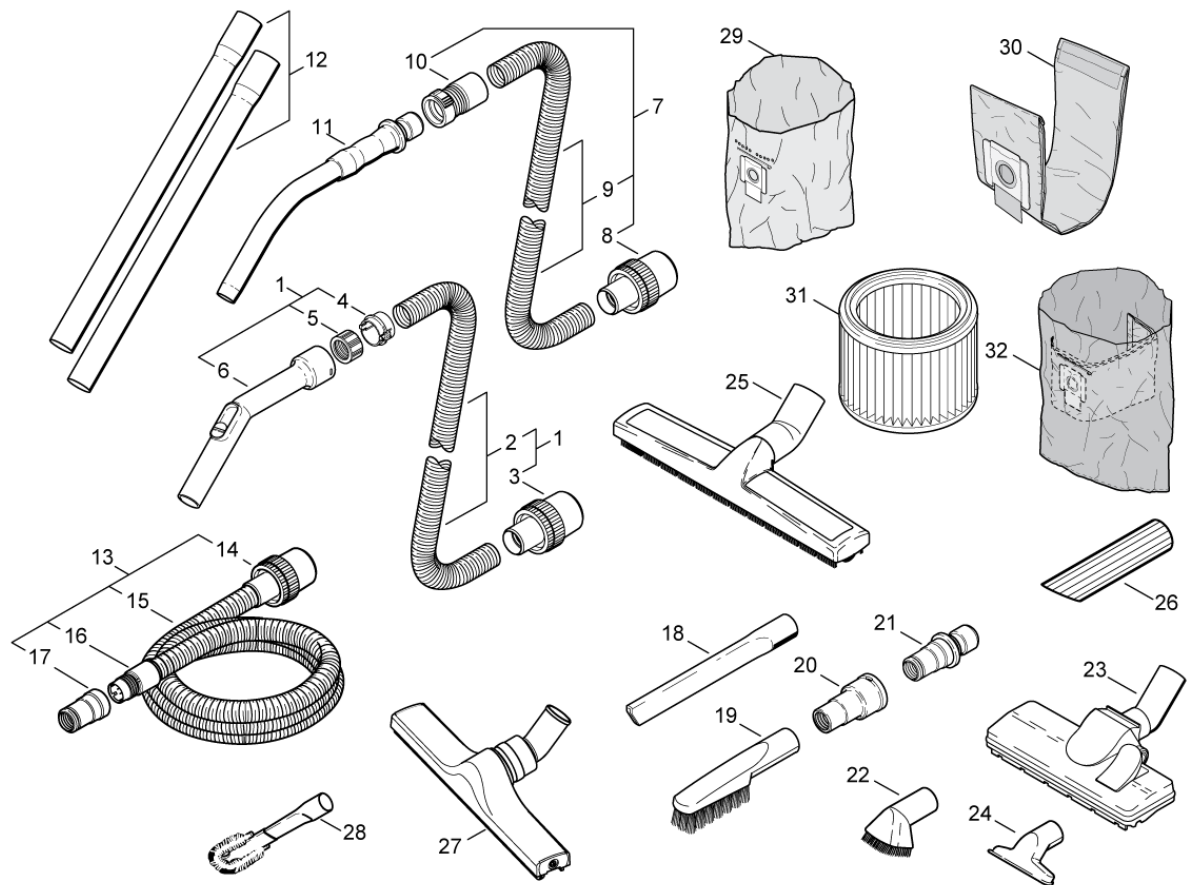
| Pos. | Artikel-Nr. | Menge | Variante | Notes |
|------|-------------|-------|--------------------------------------|-------|
| 1 | 302004015 | 1 | Luftkanal | [1] |
| 2 | 107400287 | 1 | Spannplatte XC | |
| 3 | 302004030 | 1 | Lasche | |
| 4 | 302004031 | 1 | Steckverteiler | |
| 5 | 302004023 | 1 | Ableiter | |
| 6 | 302003385 | 1 | Satz Gummiringe | |
| 7 | 302003384 | 1 | Elektromotor 230/240 V | |
| 7 | 302004006 | 1 | Elektromotor 100 V/50, 60 Hz | |
| 8 | 302003704 | 7 | SCHRAUBE PT50X18WN5451 EJOT DELAT | |
| 9 | 302004032 | 2 | Schraube 3.5X18 | |
| 10 | 302004045 | 1 | Diffusor | |
| 11 | 302003319 | 3 | SCREW KIT ATTIX/IVB | |
| 12 | 107410697 | 1 | SOLENOID FUSE WIRE 230V AT 0,5A KIT | |
| 13 | 107400291 | 1 | Magnet 230v | |
| 13 | 107400292 | 1 | MAGNET 12V FPR 110V | |
| 14 | 107400289 | 1 | Halterung Servo | |
| 15 | 107400290 | 1 | Servo XC | |
| 16 | 107400262 | 1 | Kabel 1x200 gelb/grün | |
| 17 | 107400276 | 1 | Servokabel XC | |
| 18 | 107400309 | 2 | Schlauch D3X1,5 | |
| 19 | 107417417 | 1 | MOTOR KIT 1000W 110-120V 50/60HZ | [2] |
| 20 | 107417399 | 1 | CARBON BRUSH ASSY KIT 2 PCS 110-120V | [2] |

Part Notes:

- [1] - During service or repair of vacuum head always change Airguide 302004015 and Cover for air circuit 107401051
- [2] - 110V 50HZ GB, 120V 60HZ US
TSB-LI-VACS-2016-001 New Attix 30 and Attix 50 motor



| Pos. | Artikel-Nr. | Menge | Variante | Notes |
|------|-------------|-------|---------------------------------|-------|
| 1 | 302004053 | 1 | Behälter Attix 40 | |
| 3 | 302004059 | 2 | FRONT WHEEL FOR CONTAINER | |
| 4 | 302004055 | 1 | CONTAINER RING FOR INOX | |
| 5 | 302004057 | 1 | RAD ACHSE | |
| 6 | 302004033 | 1 | SCHRAUBE 5X30 | |
| 7 | 302000639 | 2 | Rad hinten IVB schwarz ¥ 150x20 | |
| 8 | 47302 | 2 | Sich. Ring ¥ 28.6/ ¥20x | |
| 9 | 67050 | 2 | HUB CAP | |
| 10 | 107402743 | 1 | Einlasskit für ATTIX 40 | |



| Pos. | Artikel-Nr. | Menge | Variante | Notes |
|------|-------------|-------|--|-------|
| 1 | 302000473 | 1 | Universalschlauch, Ø 32 mmx3 m | |
| 2 | 14240 | 1 | Saugschlauch Ø 32 mmx1 m | |
| 3 | 15103 | 1 | Muffe Ø 32x50 mm | |
| 4 | 61154 | 1 | Ring 32 | |
| 5 | 302000476 | 1 | Überwurfmuffe 32 | |
| 6 | 60911 | 1 | Handrohr Ø 32 mm/ Ø 35 mm | |
| 7 | 46948 | 1 | Saugschlauch, Ø 36 mmx3 m | |
| 8 | 15102 | 1 | Muffe Ø 36x50 mm | |
| 9 | 11985 | 1 | Saugschlauch Ø 36 mmx1 m | |
| 10 | 46690 | 1 | Quicksystem-Muffe, Ø 36 mm, antistatisch | |
| 11 | 302000528 | 1 | Handrohr, gebog., verchromt, Ø 36 mm | |
| 12 | 107408074 | 1 | Verlängerungsrohr Edels. Ø36x505mm, VPE2 | |
| 12 | 302000529 | 1 | Verlängerungsrohre Ø36x505 mm, VPE 2 | |
| 12 | 107400032 | 1 | Verlängerungsrohr Ø36x500 mm, VPE 2 | |
| 13 | 107406091 | 1 | Saugschlauch D27x3500 mit Werkzeugadapte | |
| 14 | 15369 | 1 | Muffe Ø 27x50 mm, antistatisch | |
| 15 | 15326 | 1 | Saugschlauch Ø 27 mmx1 m, Meterware | |
| 16 | 63509 | 1 | Muffe Ø 27 mm | [1] |
| 17 | 107404520 | 1 | Werkzeugadapter, Ø 27 mm/36-24 mm | |
| 18 | 6084 | 1 | Fugendüse Ø 36x300 mm | |
| 19 | 6086 | 1 | Bürstendüse Ø 36x230 mm, PP/PA | |
| 20 | 60916 | 1 | Werkzeugadapter Ø 27 mm/35 mm/38 mm | |
| 21 | 302000535 | 1 | Werkzeugadapter, Quicksystem, Ø 27 mm | |
| 22 | 5146 | 1 | Saugbürste Ø36x70 mm, Kunststoff, PA/PP | |
| 23 | 302000477 | 1 | Bodendüse, Ø 36x260 mm | |
| 24 | 14295 | 1 | Universaldüse Ø 36x115 mm, Kunststoff | |
| 25 | 60356 | 1 | Profi-Bodendüse, Ø 36x360 mm | |
| 26 | 5067 | 1 | Schrägrohrdüse Ø36mm | |
| 27 | 302003666 | 1 | Profi-Bodendüse D36 400mm | |
| 27 | 302003796 | 1 | Ersatz-Bürstenleiste, | |
| 27 | 302003797 | 1 | Ersatz-Gummilippen, | |
| 27 | 302003796 | 1 | Ersatz-Bürstenleiste, | [2] |
| 27 | 302003797 | 1 | Ersatz-Gummilippen, | [2] |
| 28 | 5144 | 1 | Heizkörperbürstendüse | |
| 29 | 302000804 | 1 | Entsorgungssack (Set 5) | |
| 30 | 302004004 | 1 | Vlies Filterbeutel VPE 5 | |
| 30 | 302004000 | 1 | Vlies Filtersack VPE 5 | |
| 31 | 302000490 | 1 | Filterelement Ø 185x140 mm | |
| 50 | 107400079 | 1 | Airbox 230v 50 HZ EU | [3] |
| 50 | 15340 | 1 | Verlängerungsrohr Ø 38 mmx2,5 m | [3] |

Part Notes:

- [1] - STOCK COVERS GUARANTEE
 [2] - For floor nozzle 302003666
 [3] - Use link

RECOMMENDED SPARE PARTS

ATTIX 40-21 PC

2014.11.27

2016.10.10

| Pos. | Artikel-Nr. | Menge | Variante | Notes |
|------|-------------|-------|--|-------|
| 01 | 107400060 | 1 | STECKDOSE 16A/250V DK | |
| 01 | 107400272 | 1 | CORD H05RR-F 3G1.5 ZA | |
| 01 | 107400276 | 1 | Servokabel XC | |
| 01 | 107400292 | 1 | MAGNET 12V FPR 110V | |
| 01 | 107400309 | 1 | Schlauch D3X1.5 | |
| 01 | 107413448 | 1 | ROTARY SWITCH 2 POS 16A KIT | [1] |
| 01 | 302004027 | 1 | Halter | |
| 01 | 107400267 | 1 | Anschlussleitung CH | |
| 01 | 302004038 | 1 | Anschlussleitung GB, IRL, MAL | |
| 01 | 107400301 | 1 | Klammer | |
| 01 | 302000882 | 1 | Netz-Ltg SJTW-AWG16/3X8 | |
| 01 | 302004059 | 1 | FRONT WHEEL FOR CONTAINER | |
| 01 | 107400290 | 1 | Servo XC | |
| 01 | 107402641 | 1 | Anschlussleitung Europa | |
| 01 | 107402255 | 1 | Filterbefestigungskit | |
| 01 | 302003385 | 1 | Satz Gummiringe | |
| 01 | 302004004 | 1 | Vlies Filterbeutel VPE 5 | |
| 01 | 302004040 | 1 | Anschlussleitung J | |
| 01 | 107400855 | 1 | HOSE D3X1.5 TURBINE | |
| 01 | 107400270 | 1 | Anschlussleitung H05RR-F 3G1.5 BS1 363 G | |
| 01 | 107400268 | 1 | CORD H05RR-F 2X0.75 GB | |
| 01 | 302004011 | 1 | Auto On-Off Schalter Elektronik | [2] |
| 01 | 302004053 | 1 | Behälter Attix 40 | |
| 01 | 107400261 | 1 | Elektronik Attix 30,50 XC | [3] |
| 01 | 302004338 | 1 | SOCKET 15A/125V US/CSA | |
| 01 | 302000460 | 1 | Dichtring | |
| 01 | 302002842 | 1 | Flachfilter 2 Stück | |
| 01 | 107417417 | 1 | MOTOR KIT 1000W 110-120V 50/60HZ | |
| 01 | 107400291 | 1 | Magnet 230v | |
| 01 | 302000490 | 1 | Filterelement Ø 185x140 mm | |
| 01 | 302004015 | 1 | Luftkanal | [4] |
| 01 | 107402646 | 1 | Filterkorb | |
| 01 | 302004006 | 1 | Elektromotor 100 V/50, 60 Hz | |
| 01 | 302004036 | 1 | Steckdose | |
| 01 | 107400283 | 1 | Abdichtung XC | |
| 01 | 302004060 | 1 | Ein Aus Schalter Softstar | [5] |
| 01 | 302004007 | 1 | Motorgehäuse | |
| 01 | 107400057 | 1 | STECKDOSE 16A/110V GB | |
| 01 | 107400303 | 1 | Schlauch D42X155 | |
| 01 | 302004034 | 1 | Steckdose | |
| 01 | 302001095 | 1 | HEPA Filterelement Ø185X140 mm | [6] |
| 01 | 107400300 | 1 | Grundplatte XC | |
| 01 | 302003384 | 1 | Elektromotor 230/240 V | |
| 01 | 107400059 | 1 | Steckdose 10A/250V CH | |
| 01 | 302000639 | 1 | Rad hinten IVB schwarz 150x20 | |
| 01 | 107402255 | 1 | Filterbefestigungskit | |
| 01 | 107402644 | 1 | Netzkabel H05RR-F2X0 | |
| 01 | 107400260 | 1 | Elektronik Attix 30,50 XC | [7] |
| 01 | 107400266 | 1 | Kabel H05RR-F 2X0.75 Attix 30-01 | |
| 01 | 107409849 | 1 | Anschlussleitung AUS, NZ | |
| 01 | 302004009 | 1 | Deckel | |
| 01 | 107402642 | 1 | Netzkabel | |
| 01 | 107400271 | 1 | Anschlussleitung H07BQ-F 3G2.5 GB | |
| 01 | 302004058 | 1 | ABDICHTUNG FÜR BASIC | |
| 01 | 107400064 | 1 | ROHRHALTER | |
| 01 | 107401937 | 1 | Stopfen Grundplatte, Kit | |
| 01 | 302002842 | 1 | Flachfilter 2 Stück | |
| 01 | 302004008 | 1 | Dichtring | |
| 01 | 302004014 | 1 | Anschlussleitung Europa | |

RECOMMENDED SPARE PARTS

ATTIX 40-21 PC

2014.11.27

2016.10.10

| Pos. | Artikel-Nr. | Menge | Variante | Notes |
|------|-------------|-------|-------------------------|-------|
| 01 | 302004336 | 1 | Steckdose 2 polig 13A. | |
| 01 | 47302 | 1 | Sich. Ring ¥ 28.6/ ¥20x | |

Part Notes:

- [1] - FOR -01 PC WITHOUT SOFTSTART
- [2] - FOR -21 PC
- [3] - 100-120V
- [4] - During service or repair of vacuum head always change Airguide 302004015 and Cover for air circuit 107401051
- [5] - FOR -11 PC & -01 PC WITH SOFTSTART
- [6] - HEPA
- [7] - 230-240V

