

# PARTS LIST

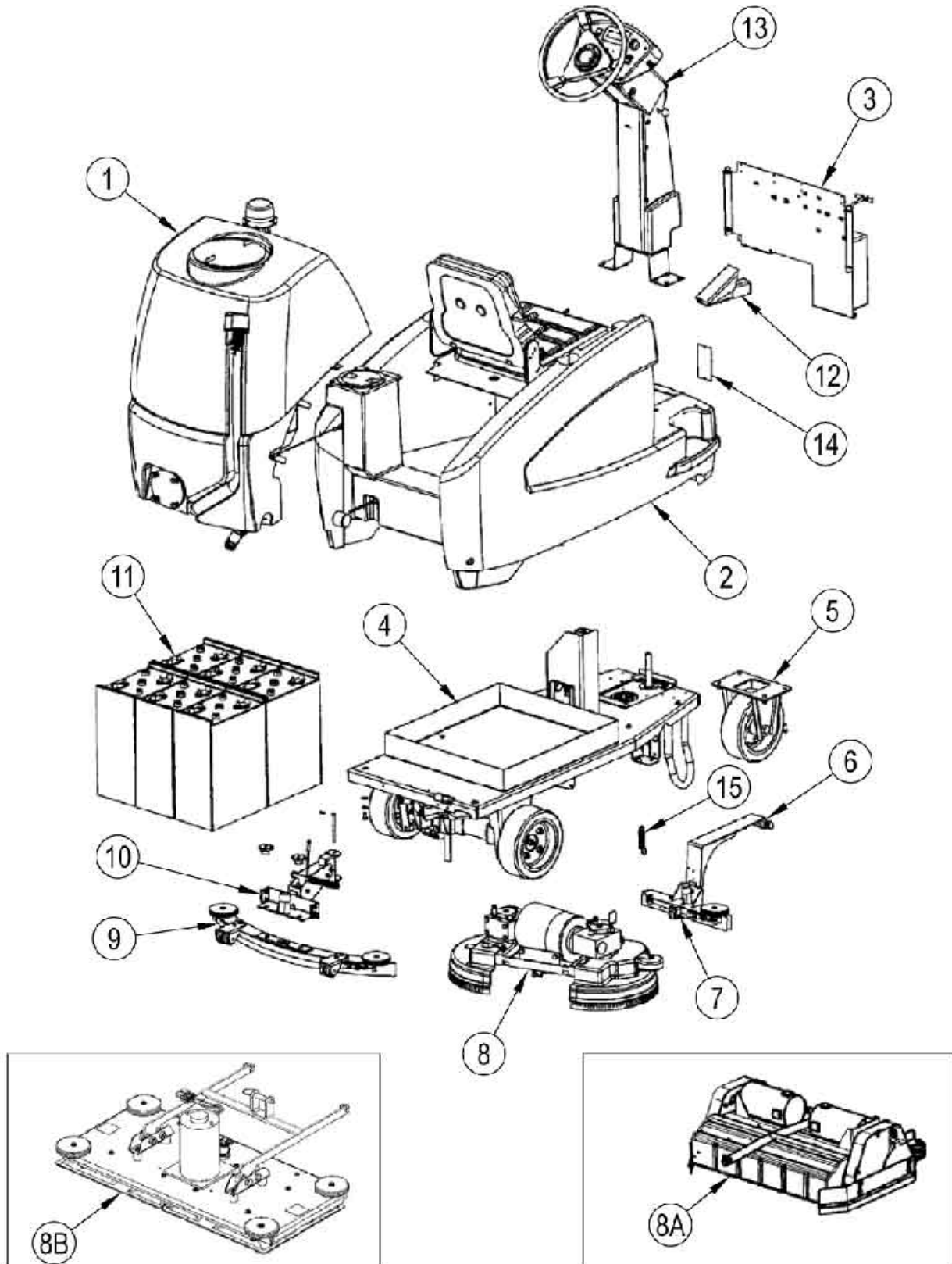


2022.01.17

# TABLE OF CONTENTS

---

Final assembly Manual Steering.....	1
Final assembly.....	3
Main frame R 571, 586.....	5
Main frame R 571 C.....	7
Main frame BOOST R.....	9
Optional side squeegee lift assembly.....	11
Front wheel sssembly.....	13
Squeegee lift assembly.....	15
Recovery tank assembly.....	17
Solution tank assembly (view 1 of 2).....	19
Solution tank assembly (view 2 of 2).....	22
Steering column assembly.....	25
571 Antriebskopfset.....	28
586 Antriebskopfset.....	30
571 Zylinderkopf.....	32
Boost - Antriebsset.....	34
81 cm squeegee assembly.....	36
99 cm squeegee assembly.....	38
104 cm squeegee assembly.....	40
Front Squeegee assembly.....	42
Front Squeegee arm assembly.....	44
Electrical panel assembly.....	46
Wiring - Electrical panel.....	48
Wiring - Operation switch.....	50
Wiring - Recovery tank - Solution tank - Machine frame.....	52
Wiring - Front of machine - Front el-panel - Traverse foot pedal.....	54
Electrical Schematic.....	56
Rider Electrical Options and Ground Connections.....	58
Accessories and Options.....	60
56380210/56380211 - Flex Plate 28/32 Kit.....	63

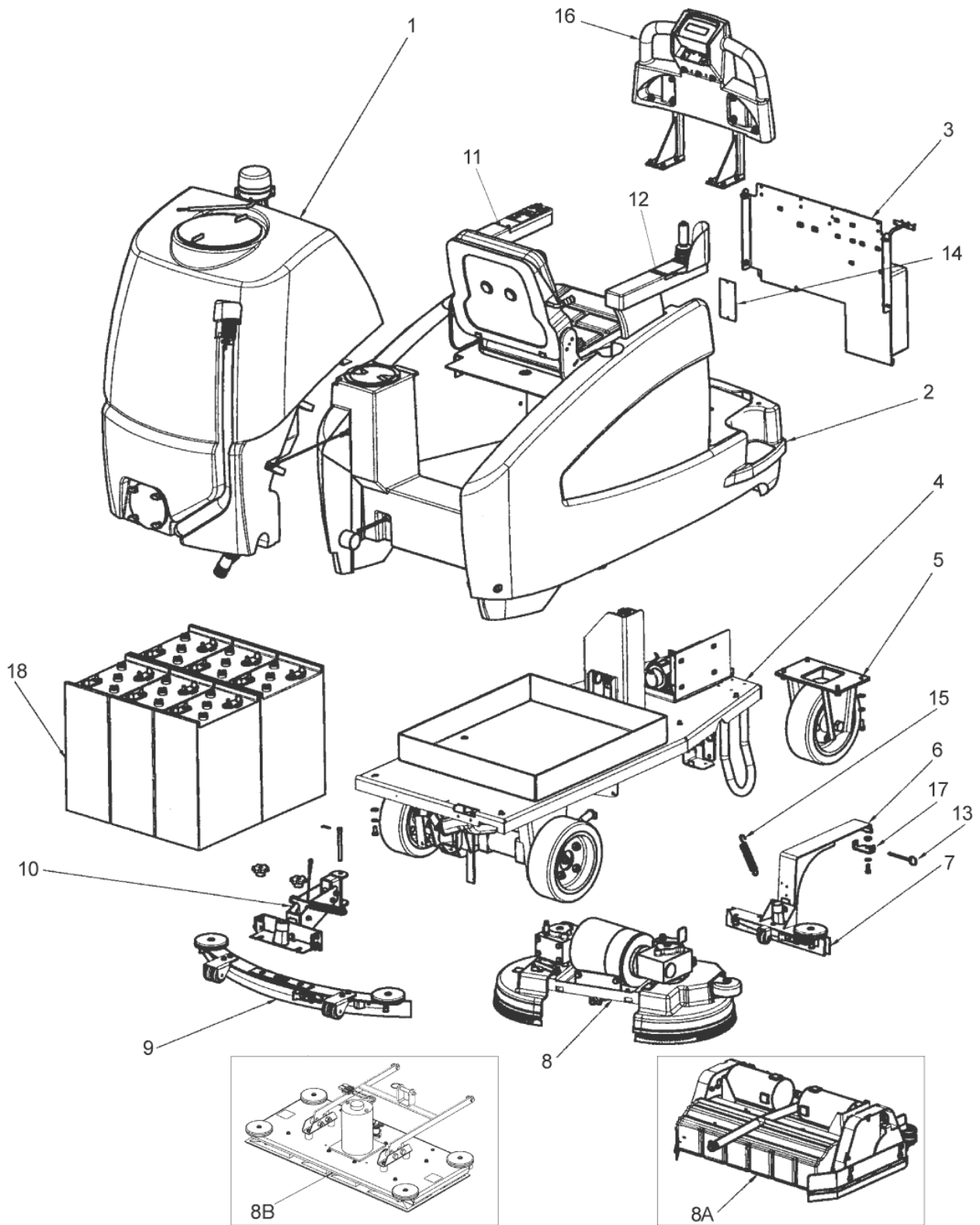


Resource notes:  
NS= Not Shown

Pos.	Artikel-Nr.	Menge	Variante	Notes
1		1	Tank recovery	[1]
2		1	Tank solution 1	[2]
3		1	Plate, electrical (28)	[3]
4		1	Mainfram, main asm.	[4]
5		1	Wheel, front steering	[5]
6		1	Arm, sec. squeegee lift	[6]
7		1	Squeegee secondary	[7]
8		1	Rotary brush	[8]
8A		1	Assembly, 28" cyl. brush head	[9]
8B		1	Assembly, 32" boost head	[10]
9	10129L	1	SQUE ASM 32 LINATEX	
9	11054L	1	SQUEE 39 ASM LINATEX BOOST	
9	11040L	1	SQUE ASM 41 LINATEX BOOST RIDE	
10		1	Arm, rear squeegee lift	[11]
11		1	Battery 6V 420 AH	[12]
12	53767A	1	Gaspedal	[13]
13		1	Steering column assembly	[14]
14	71018A	1	Warntafel	[15]
15	818381	1	Federspannrolle Ten TB16	
NS	56381853	1	CABLE BATT 16 FUSED UNIV	
NS	56409485	4	CABLE ASSY.1 X 15.00	
NS	41217A	4	CABLE BATTERY KIT 14662B	
NS	56398090	8	Anschlussklemme	
NS	56381848	1	CABLE BATT 28 UNIV POST RED	
NS	56372673	8	BOOT, BATTERY POST	
NS	40849A	2	SUPPRESSOR EMI SPLIT	
NS	56478246	8	CABLE TIE E00549 RE438BA	
NS	56381846	1	CABLE BATT 32 UNIV POST BLK	

## Part Notes:

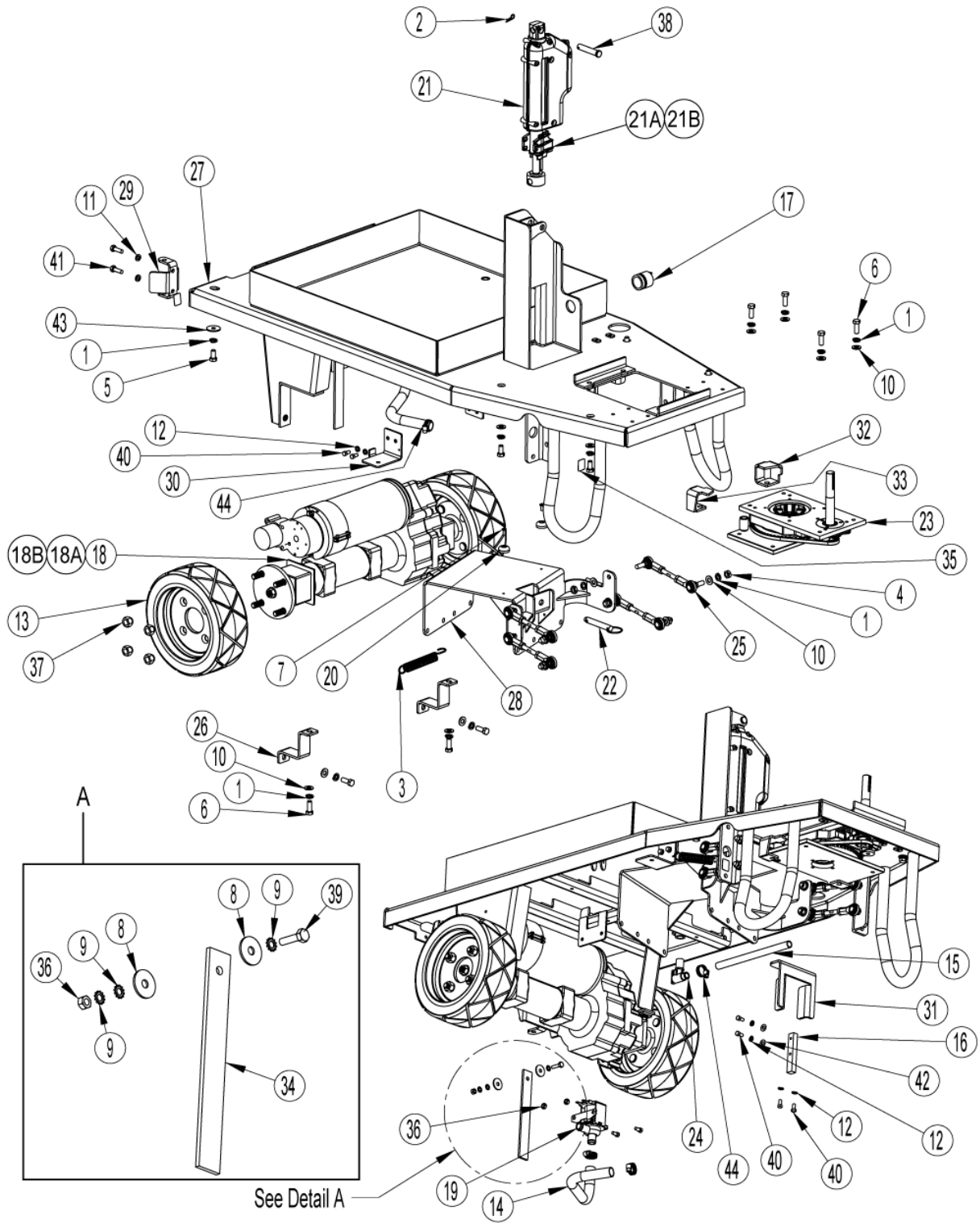
- [1] - TANK RECOVERY
- [2] - Tank solution 1
- [3] - Plate, Electrical (28)
- [4] - Mainframe, Main asm.
- [5] - Wheel , Front Steering
- [6] - Arm, Sec. Squeegee Lift
- [7] - Squeegee Secondary
- [8] - Rotary brush
- [9] - Assembly, 28" Cyl. Brush Head
- [10] - Assembly, 32" Boost Head
- [11] - Arm, Rear Squeegee Lift
- [12] - Battery-6V 420 AH
- [13] - GUARANTEE DATE EXPIRED
- [14] - Steering column assembly
- [15] - NO LONGER AVAILABLE



Pos.	Artikel-Nr.	Menge	Variante	Notes
1		1	Tank, recovery	[1]
2		1	Tank, solution	[2]
3		1	Electronical panel assembly	[3]
4		1	Main frame assembly	[4]
5		1	Wheel, front steering	[5]
6		1	Arm, sec. squeegee lift	[6]
7		1	Squeegee secondary	[7]
8A		1	Assembly, 28 " cyl. brush head	[8]
8B		1	Boost, head assembly	[9]
9	11054L	1	SQUEE 39 ASM LINATEX BOOST	
9	10129L	1	SQUE ASM 32 LINATEX	
10		1	Squeegee lift assembly	[10]
11		1	Control arm, left	[11]
12		1	Control arm, right	[12]
13	53491A	1	Haltestift	
14	71018A	1	Warntafel	[13]
15	818381	1	Federspannrolle Ten TB16	
16		1	Cover, front assembly	[14]
16a		1	Cover, front assembly	[14]
17	60256A	1	Halterung, Zapfen	[15]
18	40704A	1	BATTERY, 6V, 370AH, WET	
NI	41217A	1	CABLE BATTERY KIT 14662B	
NI	40896A	1	CABLE 32 NEG BATTERY	[16]
NI	40895A	1	CABLE 24 POS BATTERY	
NI	40882A	1	CABLE 200 AMP FUSIBLE	[16]

Part Notes:

- [1] - Tank, Recovery
- [2] - Tank, Solution
- [3] - Electronical Panel Assembly
- [4] - Main Frame Assembly
- [5] - Wheel, Front Steering
- [6] - Arm, Sec. Squeegee Lift
- [7] - Squeegee Secondary
- [8] - Assembly, 28" Cyl. Brush head
- [9] - BOOST, Head Assembly
- [10] - Squeegee Lift Assembly
- [11] - Control Arm, Left
- [12] - Control Arm, Right
- [13] - NO LONGER AVAILABLE
- [14] - Cover, Front Assembly
- [15] - EXPIRED ON 01/23/2020
- [16] - SEE PI 2017-002

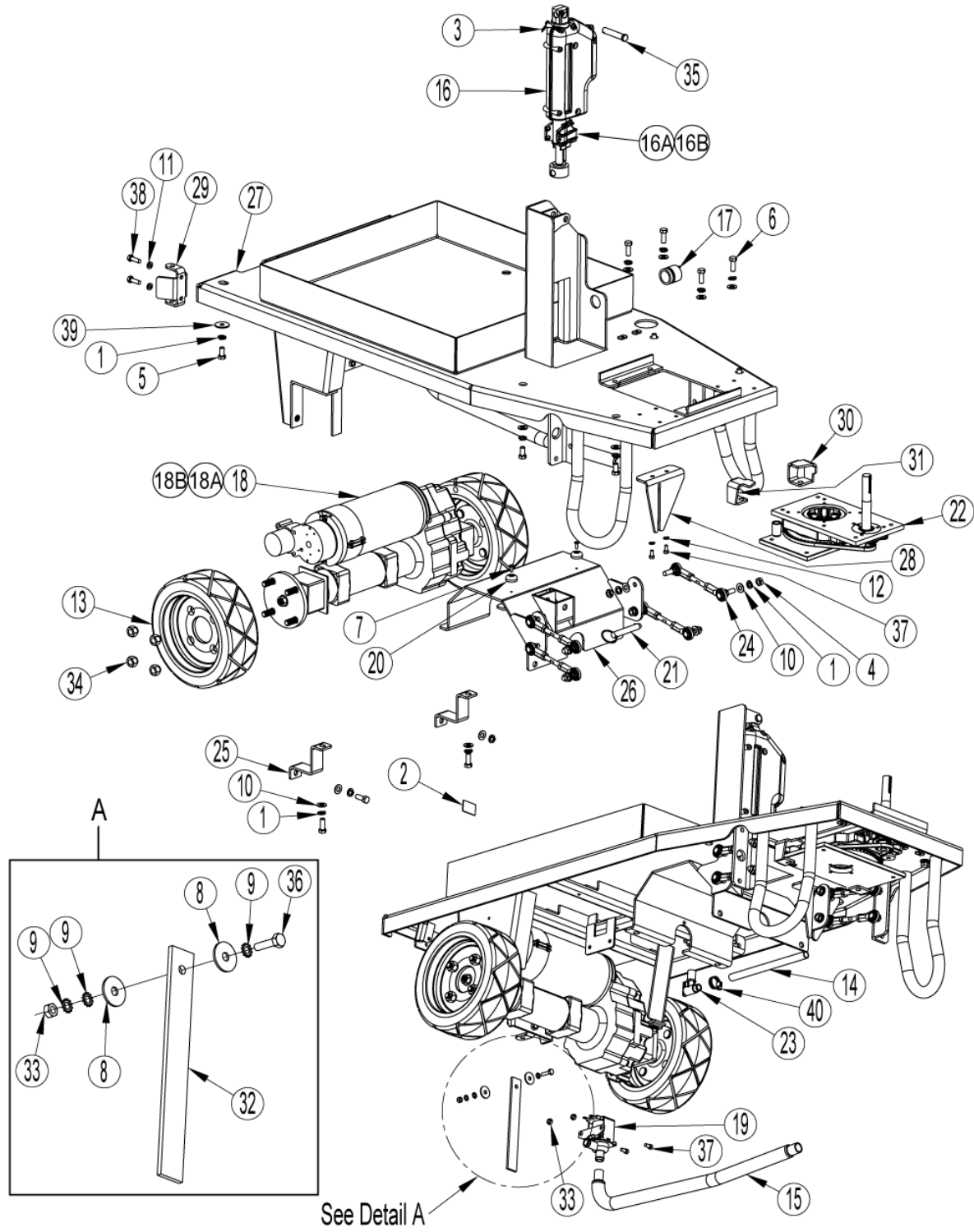


Pos.	Artikel-Nr.	Menge	Variante	Notes
01	170883	22	Scheibe LK 3/8	
02	2-00-05320	1	Haarnadel	
03	818381	1	Federspannrolle Ten TB16	
04	920204	8	Mutter 3/8 HEX JAM	
05	962244	6	Bolzen 3/8 16 X HHCS	[1]
06	962288	8	SCREW 3/8-16 X 1.0 HX ST CAP	
07	962929	2	PHILLIPS PAN MACHINE SCREW	[2]
08	980205	2	Scheibe	
09	980614	3	U-Scheibe	
10	980645	20	Scheibe 3/8	[3]
11	980652	2	Scheibe LK 5/16 REG	
12	980657	6	Scheibe 1/4 STD	
13	56109703	2	Rad	
14	30445A	1	Schlauch, Frischwasser	
15	30453A	1	Schlauch, Vinyl,	
16	30558A	1	Block, Fahrgestell	
17	40836A	1	HORN CE REVERSE ALARM	
18	40837B	1	Getriebemotor 36v	
18A	40275A	1	Bremswarner	
18B	40274A	1	MOTOR TRANSAXLE FITS 40837B	[4]
18N	56380669	1	Kohlebürstenkit	[5]
19	48703A	1	Frischwasserventil	
20	51609A	2	BUMPER-REAR	
21	53386B	1	Hubzylinder kpl. f. Bürst	
21A	40910A	1	Platine mit Potenziometer	
21B	40866A	1	Gehäuse Potentiometer	
22	53493A	1	Vierkantstift 2-1/2	
23	53760A	1	Lenkeinheit manuell	[4]
24	59614A	1	Ablassventil, Batterie	
25	61473A	4	Gelenkkopf Montage	[2]
26	61475A	2	CLAMP TRANSAXLE	[4]
27	61481A	1	FRAME WLDMT	[2]
28	61482A	1	Winkelstück	[4]
29	61491A	1	STOP SQUEEGEE	[4]
30	61572A	1	Halterung vorn Sauglippe	
31	61596A	1	Anschlag, Bürstkopf	
32	61877A	1	Endanschlag Steuerung Links	
33	61878A	1	Endanschlag Steuerung Rechts	
34	69639A	1	Statikband (FUSION)	
35	77267A	4	LABEL TIE DOWN FUSION	[4]
36	81104A	3	Mutter 1/2-20,	
37	81221A	8	Radmutter 500-20	
38	82501A	1	Stift, Bügel,3200 STD SII	
39	85700A	1	Sechskantschraube	
40	85737A	8	Schraube 1/4-20 X 5/8 HEX	
41	85813A	2	Sechskantschraube	
42	87026A	2	Scheibe .250	[6]
43	87054A	2	Dichtungsscheibe .375	
44	50248A	3	Schlauchschele 3/8	

Part Notes:

- [1] - EXPIRED USE 56002127
- [2] - NO LONGER AVAILABLE
- [3] - EXPIRED USE 56002063
- [4] - SEE PI 2017-002
- [5] - Not Shown
- [6] - EXPIRED USE 56002859

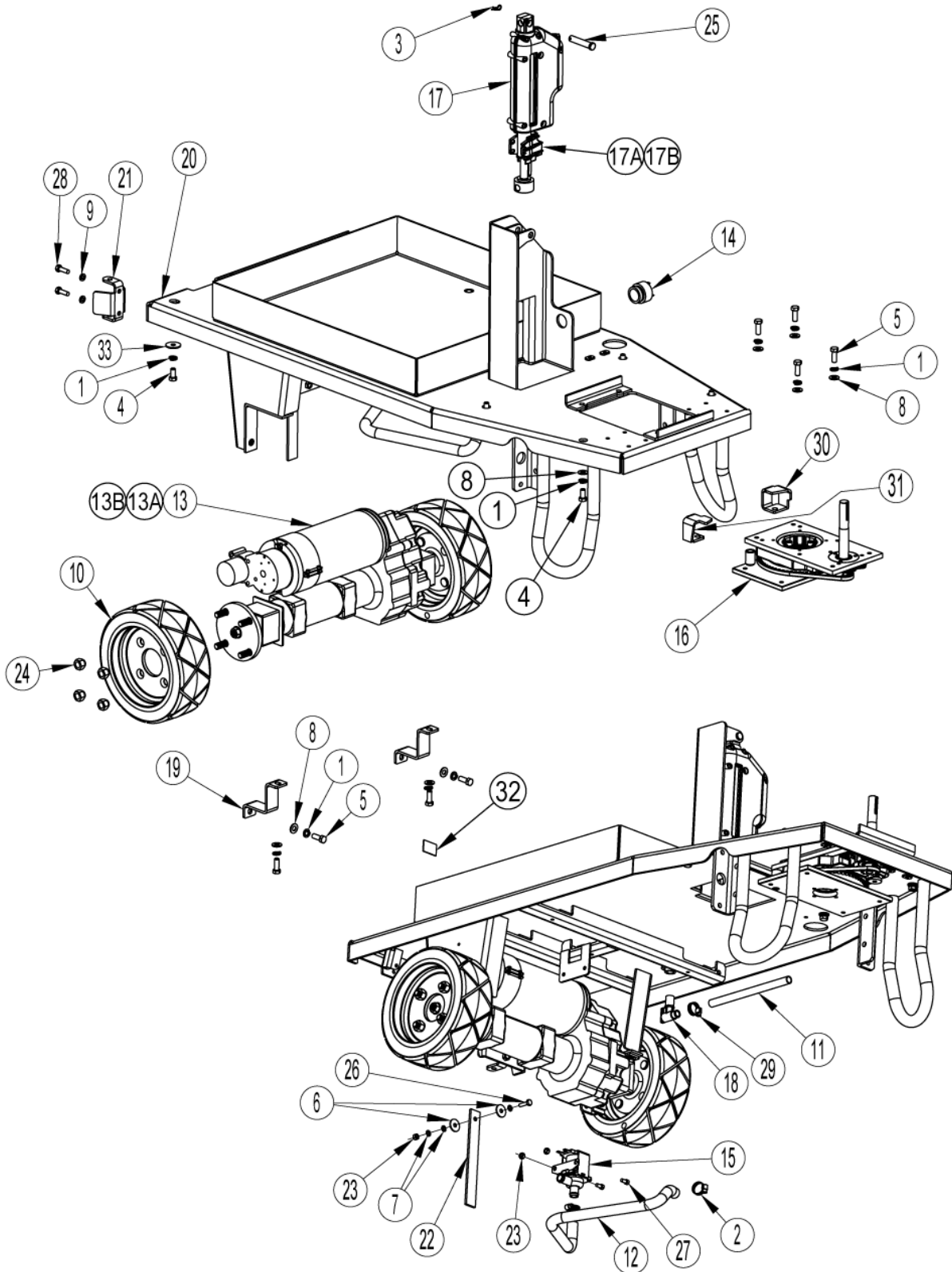




Pos.	Artikel-Nr.	Menge	Variante	Notes
01	170883	22	Scheibe LK 3/8	
02	413754	1	GRIP SOLUTION TANK CLAMP	[1]
03	2-00-05320	1	Haarnadel	
04	920204	8	Mutter 3/8 HEX JAM	
05	962244	6	Bolzen 3/8 16 X HHCS	[2]
06	962288	8	SCREW 3/8-16 X 1.0 HX ST CAP	
07	962929	2	PHILLIPS PAN MACHINE SCREW	[3]
08	980205	2	Scheibe	
09	980614	3	U-Scheibe	
10	980645	20	Scheibe 3/8	[4]
11	980652	2	Scheibe LK 5/16 REG	
12	980657	2	Scheibe 1/4 STD	
13	56109703	2	Rad	
14	30453A	1	Schlauch, Vinyl,	
15	30649A	1	HOSE SOLUTION CYL	
16	40771A	1	Stellantrieb	[5]
16A	40910A	1	Platine mit Potenziometer	
16B	40866A	1	Gehäuse Potentiometer	
17	40836A	1	HORN CE REVERSE ALARM	
18	56380669	1	Kohlebürstenkit	[6]
18	40837B	1	Getriebemotor 36v	
18A	40275A	1	Bremswarner	
18B	40274A	1	MOTOR TRANSAXLE FITS 40837B	[7]
19	48703A	1	Frischwasserventil	
20	51609A	2	BUMPER-REAR	
21	53493A	1	Vierkantstift 2-1/2	
22	53760A	1	Lenkeinheit manuell	[7]
23	59614A	1	Ablassventil, Batterie	
24	61473A	4	Gelenkkopf Montage	[3]
25	61475A	2	CLAMP TRANSAXLE	[7]
26	61718A	1	Bürstenaufhängung	
27	61719A	1	FRAME RIDER CYL. WELDMENT	
28	61736A	1	Anschlagwinkel	
29	61836A	1	STOP SQUEEGEE	
30	61877A	1	Endanschlag Steuerung Links	
31	61878A	1	Endanschlag Steuerung Rechts	
32	69639A	1	Statikband (FUSION)	
33	81104A	3	Mutter 1/2-20,	
34	81221A	8	Radmutter 500-20	
35	82501A	1	Stift, Bügel,3200 STD SII	
36	85700A	1	Sechskantschraube	
37	85737A	4	Schraube 1/4-20 X 5/8 HEX	
38	85813A	2	Sechskantschraube	
39	87054A	2	Dichtungsscheibe .375	
40	50248A	1	Schlauchschelle 3/8	

Part Notes:

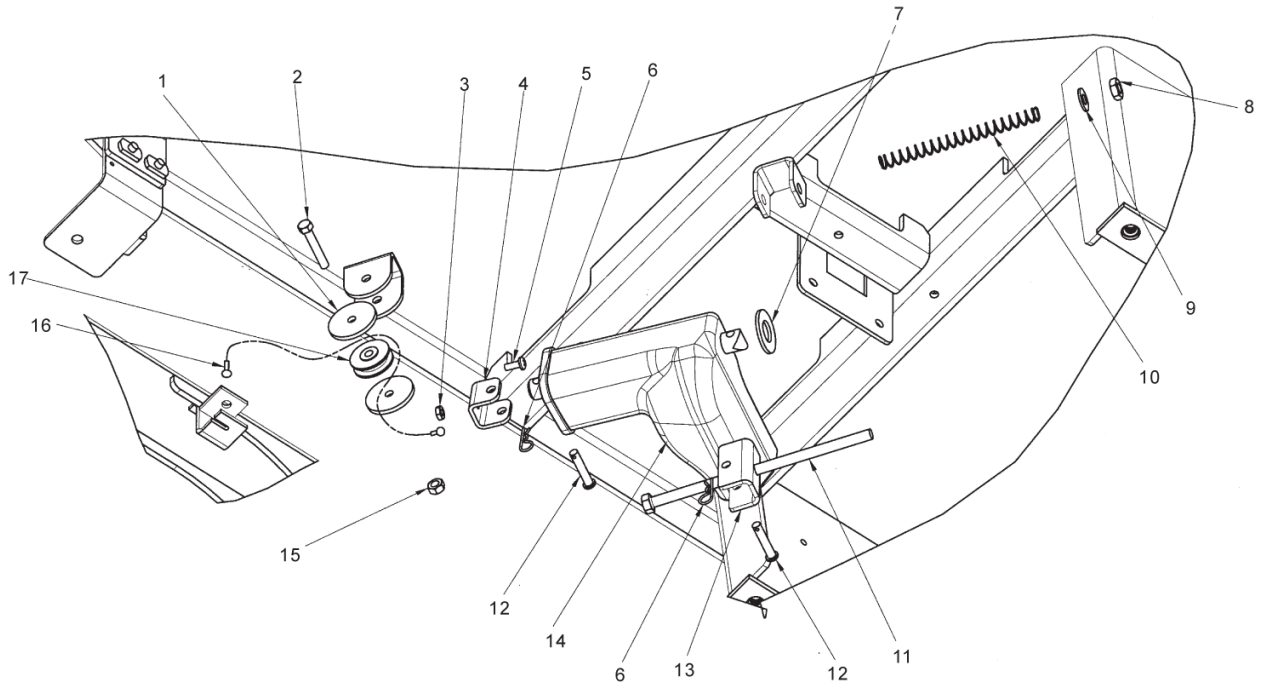
- [1] - EU ORDER FROM APEC
- [2] - EXPIRED USE 56002127
- [3] - NO LONGER AVAILABLE
- [4] - EXPIRED USE 56002063
- [5] - GUARANTEE DATE EXPIRED
- [6] - Not Shown
- [7] - SEE PI 2017-002



Pos.	Artikel-Nr.	Menge	Variante	Notes
01	170883	14	Scheibe LK 3/8	
02	56219932	2	Briede	
03	2-00-05320	1	Haarnadel	
04	962244	8	Bolzen 3/8 16 X HHCS	[1]
05	962288	8	SCREW 3/8-16 X 1.0 HX ST CAP	
06	980205	2	Scheibe	
07	980614	3	U-Scheibe	
08	980645	12	Scheibe 3/8	[2]
09	980652	2	Scheibe LK 5/16 REG	
10	56109703	2	Rad	
11	30453A	1	Schlauch, Vinyl,	
12	30680A	1	Frischwasserschlauch,	
13	40837B	1	Getriebemotor 36v	
13	56380669	1	Kohlebürstenkit	[3]
13A	40275A	1	Bremswarner	
13B	40274A	1	MOTOR TRANSAXLE FITS 40837B	[4]
14	40836A	1	HORN CE REVERSE ALARM	
15	48703A	1	Frischwasserventil	
16	53760A	1	Lenkeinheit manuell	[4]
17	53874A	1	Stellantrieb, Bürstendeck	[5]
17A	40910A	1	Platine mit Potenziometer	
17B	40866A	1	Gehäuse Potentiometer	
18	59614A	1	Ablassventil, Batterie	
19	61475A	2	CLAMP TRANSAXLE	[4]
20	61719A	1	FRAME RIDER CYL. WELDMENT	
21	61836A	1	STOP SQUEEGEE	
22	69639A	1	Statikband (FUSION)	
23	81104A	3	Mutter 1/2-20,	
24	81221A	8	Radmutter 500-20	
25	82501A	1	Stift, Bügel,3200 STD SII	
26	85700A	1	Sechskantschraube	
27	85737A	2	Schraube 1/4-20 X 5/8 HEX	
28	85813A	2	Sechskantschraube	
29	50248A	1	Schlauchschele 3/8	
30	61877A	1	Endanschlag Steuerung Links	
31	61878A	1	Endanschlag Steuerung Rechts	
32	77267A	4	LABEL TIE DOWN FUSION	[4]
33	87054A	2	Dichtungsscheibe .375	

Part Notes:

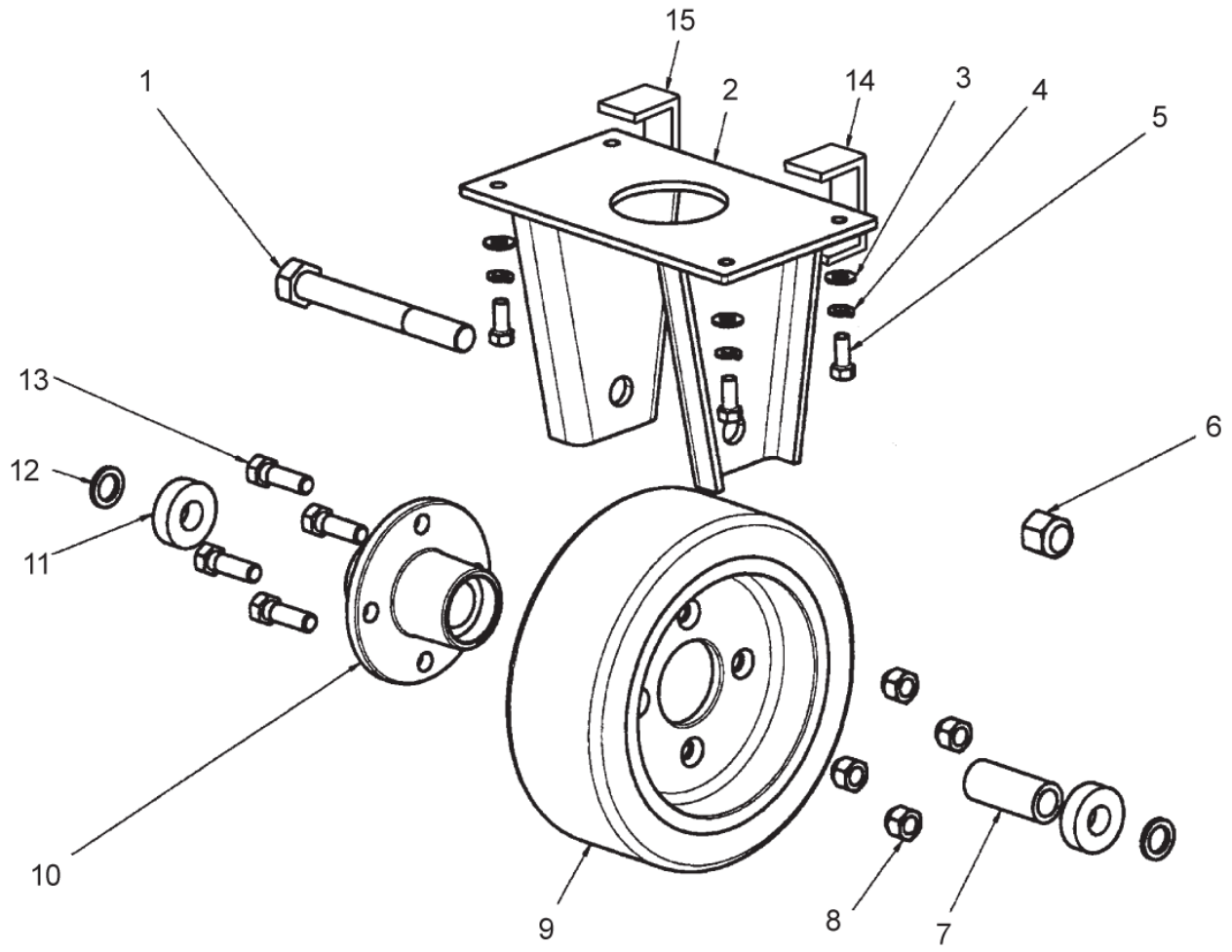
- [1] - EXPIRED USE 56002127
- [2] - EXPIRED USE 56002063
- [3] - Not Shown
- [4] - SEE PI 2017-002
- [5] - EXPIRED NO REPLACEMENT



Pos.	Artikel-Nr.	Menge	Variante	Notes
01	87624A	2	Flachscheibe 1.50X.26X.13	
02	86004A	1	Klemmschraube 1/4	
03	920296	1	Elastische Sicherungs-	
04	61699A	1	BRACKET SQU. LIFT	[1]
05	962798	1	Schraube 10-24X 1/2	
06	836711	2	Haarnadel f. Bügel 8,0 mm	
07	80152A	1	WASHER FLAT 5/8ID X 1.5OD	
08	920110	1	Sicherungsmutter	[2]
09	56001939	1	Flachdichtung 5/16	
10	80286A	1	SPRING	[3]
11	80287A	1	SCREW 5/16-18X7 HHCS	
12	80273A	2	Stift, Bügel 1/4 X 1-1/4	
13	61698A	1	BRACKET ACTUATOR MOUNT	[3]
14	40751A	1	Stellantrieb, seiti.	[4]
15	81104A	1	Mutter 1/2-20,	
16	61695A	1	Seil, Seite Sauglippen-	
17	57275a	1	Riemenscheibe, Sauglippe,	[1]

## Part Notes:

- [1] - NO LONGER AVAILABLE
- [2] - EXPIRED USE 56002701
- [3] - SEE PI 2017-002
- [4] - EXPIRED NO REPLACEMENT

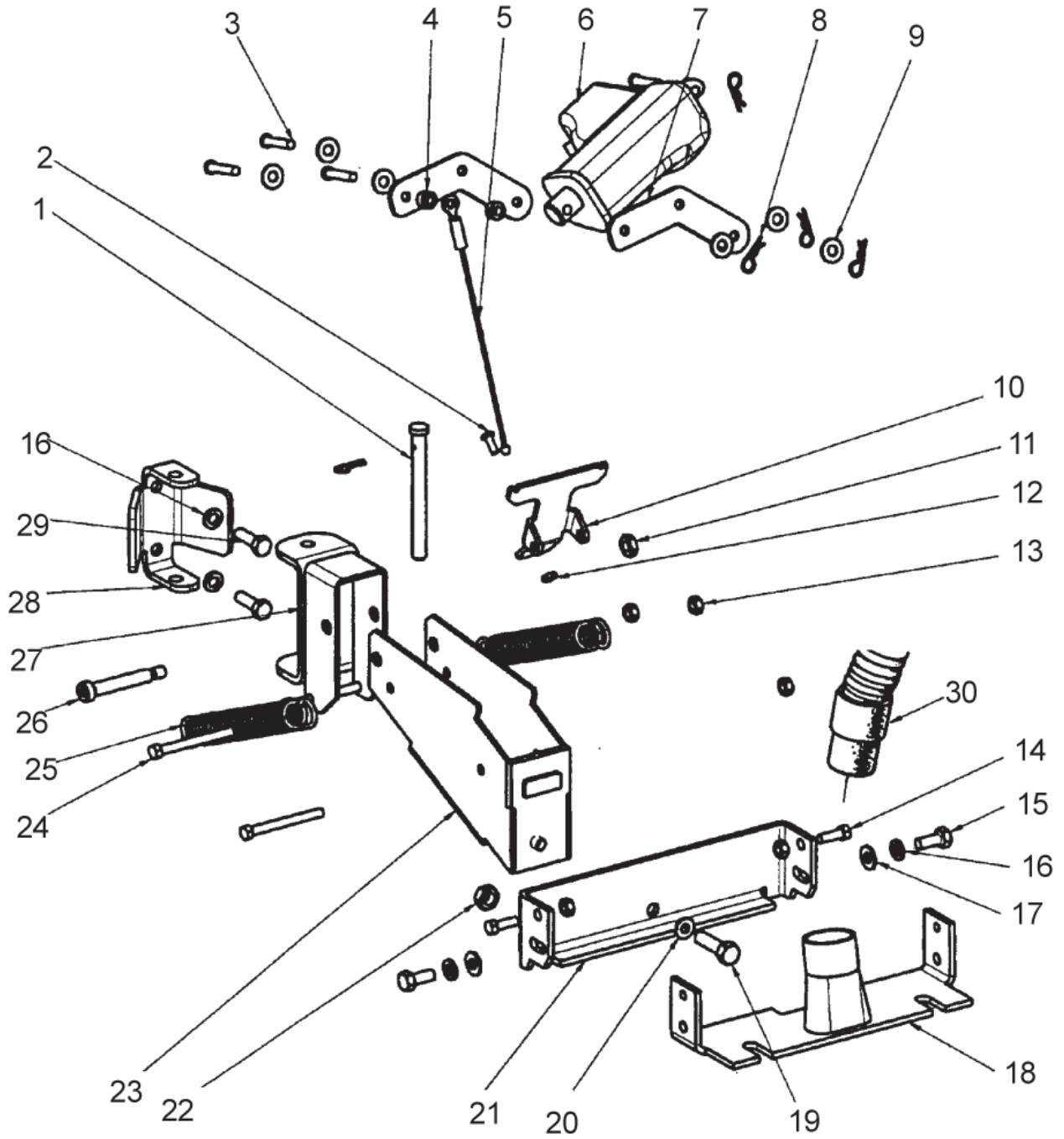


Pos.	Artikel-Nr.	Menge	Variante	Notes
01	80267A	1	Schraube 3/4 16 x 6	
02	61472A	1	WLDMT FRONT YOKE	[1]
03	980645	4	Scheibe 3/8	[2]
04	170883	4	Scheibe LK 3/8	
05	85822A	4	Sechskantkopfschraube	
06	80268A	1	Mutter 3/4 16 ESNA	
07		1	SPACER, CENTER, INCLUDED W/#10	[3]
08	81221A	4	Radmutter 500-20	
09	56109703	1	Rad	
10	61691A	1	HUB FRONT WHEEL ASM.	[4]
11		2	BEARING, INCLUDED W/#10	[5]
12		2	SPACER, INCLUDED W/#10	[6]
13	85838A	4	Schraube 1/2 UNC X 1.5	
14	61877A	1	Endanschlag Steuerung Links	
15	61878A	1	Endanschlag Steuerung Rechts	

Part Notes:

- [1] - SEE PI 2017-002
- [2] - EXPIRED USE 56002063
- [3] - SPACER, CENTER, INCLUDED W/#10
- [4] - INCLUDES POS. 11 AND 12  
GUARANTEE DATE EXPIRED
- [5] - BEARING, INCLUDED W/#10
- [6] - SPACER, INCLUDED W/#10

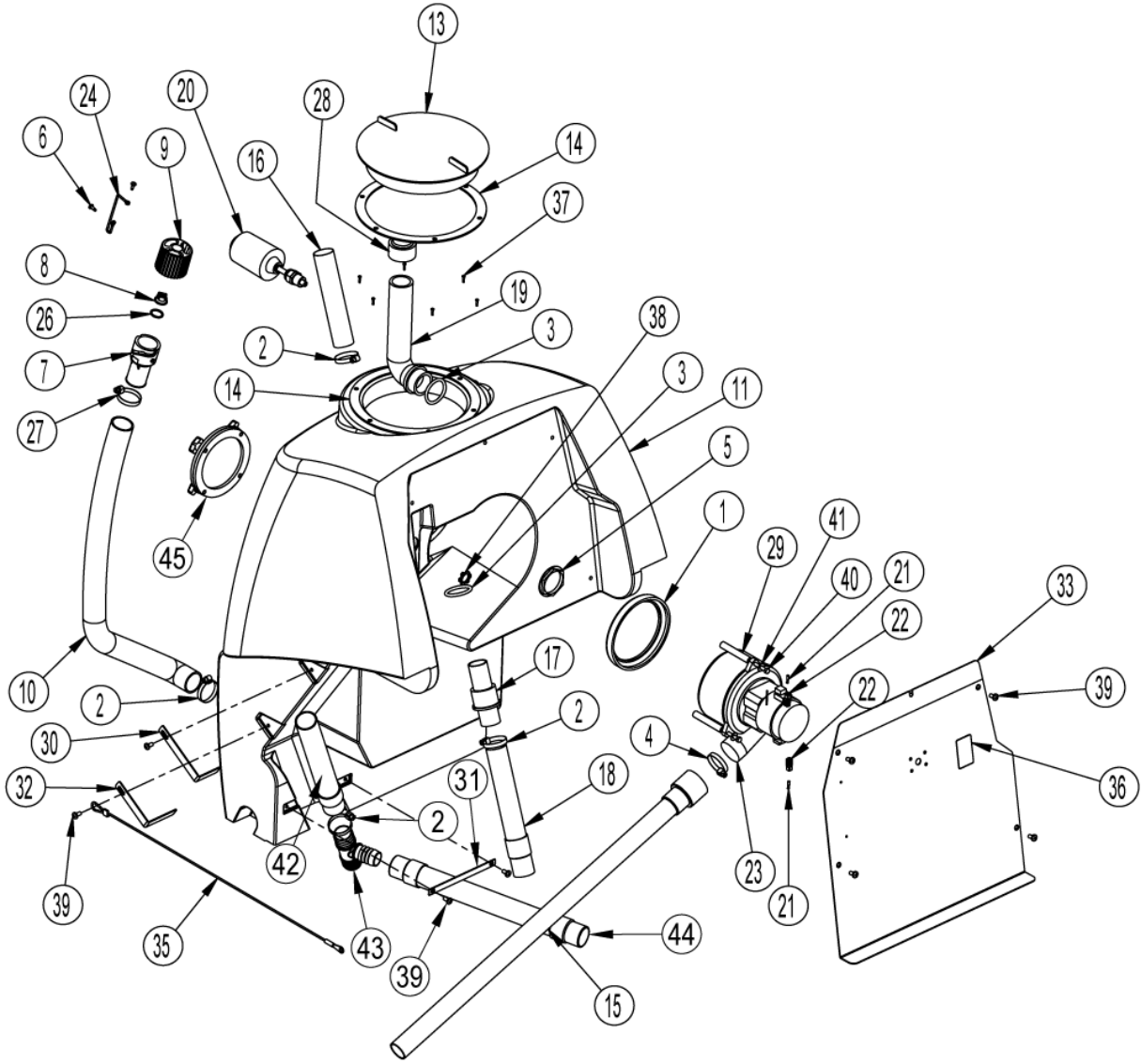




Pos.	Artikel-Nr.	Menge	Variante	Notes
01	66531A	1	Stift, Schwenkarm, 32 DLX	
02	962798	1	Schraube 10-24X 1/2	
03	80273A	4	Stift, Bügel 1/4 X 1-1/4	
04	30542A	2	Abstandshalter	[1]
05	61549A	1	Seilzug	
06	53387B	1	Stellantrieb, Saugfuß	
07	53446A	2	LEVER SQ LIFT	[1]
08	836711	5	Haarnadel f. Bügel 8,0 mm	
09	87026A	6	Scheibe .250	[2]
10	61552A	1	Federhebel	
11	920110	1	Sicherungsmutter	[3]
12	920296	1	Elastische Sicherungs-	
13	81104A	5	Mutter 1/2-20,	
14	170915	2	Sechskantschraube	
15	962620	2	Schraube 5/16-24X 3/4	
16	980652	4	Scheibe LK 5/16 REG	
17	56001939	2	Flachdichtung 5/16	
18	61267A	1	Halter Schweißteil, Rohr	
19	85730A	1	Sechskantschraube	
20	87031A	1	Flachscheibe 3/8, S.S.	
21	60678C	11	Rahmen Drehgelenk LARGE	
22	81105A	1	Mutter 3/8-16,	
23	61551A	1	Ausleger front	
24	962269	2	SCR 1/4 -20X2 1/2 HX ST CAP	
25	53423A	2	Feder, Sauglippe Druck	
26	80015A	2	Schaftbolzen 3/8 X 2	
27	61550A	1	Aufnahme Ausleger front	
28	61736A	1	Anschlagwinkel	[4]
28	61491A	1	STOP SQUEEGEE	[5]
29	85813A	2	Sechskantschraube	
30	30568A	1	Schlauch 1-1/2 Sauglippe	

Part Notes:

- [1] - SEE PI 2017-002
- [2] - EXPIRED USE 56002859
- [3] - EXPIRED USE 56002701
- [4] - CYLINDRICAL
- [5] - ROTARY  
SEE PI 2017-002



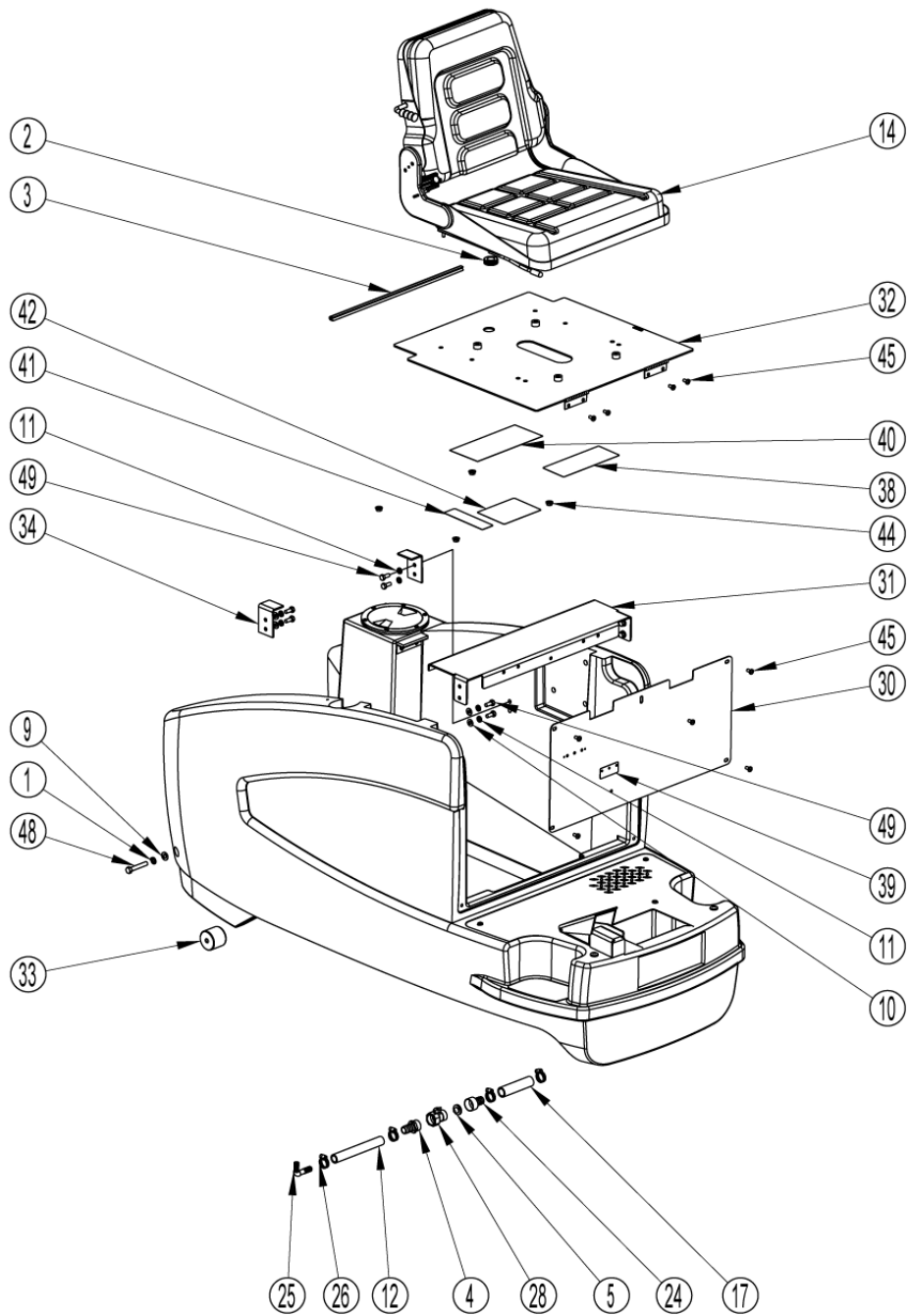
Resource notes:

Note 1: These items are only used on disk models.

Pos.	Artikel-Nr.	Menge	Variante	Notes
01	643418	1	GASKET	
02	752020	3	Schelle 450 Shampooierer	
03	80382A	2	O-RING 2.145X.210 THK 50 DURO	
04	872010	1	Schlauchschele	
05	185USP	1	NUT DIE CAST ALUM 1-1/2 N	
05	185USP	1	NUT DIE CAST ALUM 1-1/2 N	
06	962957	2	Schraube Nr. 10-16X	
07	30225A	1	Schlauchmuffe	
08	30226A	1	Kolben für Ablaufschlauch	
09	30227A	1	Kappe für Ablaufschlauch	
10	30443A	1	Ablaufschlauch, Schmutz-	
11	30531A	1	Tank, Schmutzwasser	[1]
13	30581A	1	Tankverschluss	[1]
14	30582A	2	Tankdichtung	
15	30621A	1	HOSE RECOVERY TANK	[2]
16	30622A	1	Abluftschlauch	
17	30623A	1	Adapter Antrieb	[3]
18	38731A	1	Saugschlauch 1 1/2 x 57.0	
19	39339B	1	Saugrohr 7 im Schmutzwa	
20	40002A	1	Schwimmerschalter	
21	41809A	2	Steckkontakt	
22	43401A	2	Steckergehäuse (schwarz)	
23	56109731	1	Saugmotor 36V DC	
23	56212223	2	CARBON BRUSH SET OF 2	[4]
24	52206A	1	Abdeckung für Kette,	
26	52560A	1	O RING .103 X .799 ID	
27	53371A	1	Klemme SchlauchIMAGE16/20	
28	58069A	1	Filter fuer Vacuumrohr	
29	58533A	3	Distanzstück, Saugermotor	
30	61477A	1	HOSE RETAINER 90 DEG	[1]
31	61478A	1	HOSE RETAINER STRAIGHT	
32	61498A	1	HOSE RETAINER 90 DEG	
33	61565A	1	PANEL REC TANK ACCESS	
35	61573B	1	CABLE SEAT/REC TANK	
36	71014A	1	LABEL FALLING PARTS	
37	80056A	6	SCREW 4 X 1/2 P.H. PHILLIPS	
38	82100A	1	Sicherungsmutter,	
39	85395A	8	SCREW 1/4 20 X 1/2 PAN HD SS	
40	85728A	3	Sechskantschraube	
41	87026A	3	Scheibe .250	[5]
42	30567A	1	Schlauch 1-1/2 Sauger	[6]
43	30561A	1	T-Stück, Schlauch	[7]
44	30568A	1	Schlauch 1-1/2 Sauglippe	[7]
45	10816A	1	REC TANK CLEANOUT OPTION	[8]

Part Notes:

- [1] - SEE PI 2017-002
- [2] - EXPIRED NO REPLACEMENT
- [3] - GUARANTEE DATE EXPIRED
- [4] - (for 56109731)
- [5] - EXPIRED USE 56002859
- [6] - NOTE 1  
EXPIRED NO REPLACEMENT
- [7] - NOTE 1
- [8] - NO LONGER AVAILABLE



Pos.	Artikel-Nr.	Menge	Variante	Notes
01	170883	2	Scheibe LK 3/8	
02	193944	1	GROMMETRUBBER 3/4ID X 3/8	
03	193951	1	TRIM DOUBLE LIP-BLACK	
04	830214	1	Schlauchtuelle Aussengewi	
05	838517	1	Scheibe für Siebschlauch	
06	2-00-00594	1	Mutter 6kt- 1/4-20	
07	962957	8	Schraube Nr. 10-16X	
08	980614	1	U-Scheibe	
09	980645	2	Scheibe 3/8	[1]
10	56001939	8	Flachdichtung 5/16	
11	980652	8	Scheibe LK 5/16 REG	
12	30445A	1	Schlauch, Frischwasser	
13	30530A	1	Frischwassertank	
14	30534B	1	ergonomischer Sitz,	[2]
15	30539B	1	Deckel rund	[3]
16	30564B	1	Schlauch, Frischwasser-	
17	30566A	1	Schlauch, Frischwasser	
18	30578A	1	GASKET TANK FILL BRKT	
19	30596A	1	PAD SOLUTION TANK STEP RT	[4]
20	30597A	1	PAD SOLUTION TANK STEP LT	[4]
21	30775A	1	Dichtung f. Deckel	[3]
22	56116721	2	GROMMET .59X.78X.62IN	
23	40876A	1	SENSOR LIQUID LEVEL	[5]
24	50358A	1	Adapter, 5/8 Tülle	
25	53498A	1	Rohrbogen 90Grad 1/2 NPTF	
26	53571A	4	Schlauchschele	
27	53767A	1	Gaspedal	[6]
28	54088A	1	Absperrventil	
29	30883A	2	Verbindungsstück, Bogen	
30	61489A	1	COVER ELECTRICAL PANEL	[5]
31	61490A	1	MOUNT SEAT ASM. WLDMT	[5]
32	61492B	1	PLATE SEAT SUPPORT	[5]
33	61561A	2	PIVOT Schmutzwassertank	[3]
34	61562A	2	BRACKET SEAT STOP	[4]
35	61563A	1	Beilagscheibe Seitengestä	
36	61574A	1	BRACKET TANK FILL	[5]
37	61843A	1	Aufnahmeplatte	[5]
38	70841A	1	LABEL BATTERY INSTALLATION	[5]
39	70883A	1	LABEL BATTERY CHARGER	
40	70884A	1	LABEL ERROR CODE	[5]
41	71015A	1	LABEL GASES & CHEMICALS	
42	71278A	1	LABEL BRAKE OPERATION	[5]
43	80333A	2	SCREW 3/8-16 X 5/8 C.R.P.H.	[5]
44	81208A	4	NUT HEX SERRATED FLANGE 5/1	
45	85395A	9	SCREW 1/4 20 X 1/2 PAN HD SS	
46	85398A	4	Flachkopfschraube	
47	85518A	1	Schraube 1/4 -20X 3/4	
48	85704A	2	Sechskantschraube	
49	56002667	8	Schraube 5/16-18 X.75	
50	87036A	2	Flachscheibe Nr. 10 S.S.	
51	50248A	1	Schlauchschele 3/8	
NS	61573B	1	CABLE SEAT/REC TANK	

## Part Notes:

- [1] - EXPIRED USE 56002063
- [2] - EXPIRED ON 02/26/2021
- [3] - EXPIRED NO REPLACEMENT
- [4] - NO LONGER AVAILABLE
- [5] - SEE PI 2017-002

[6] - GUARANTEE DATE EXPIRED



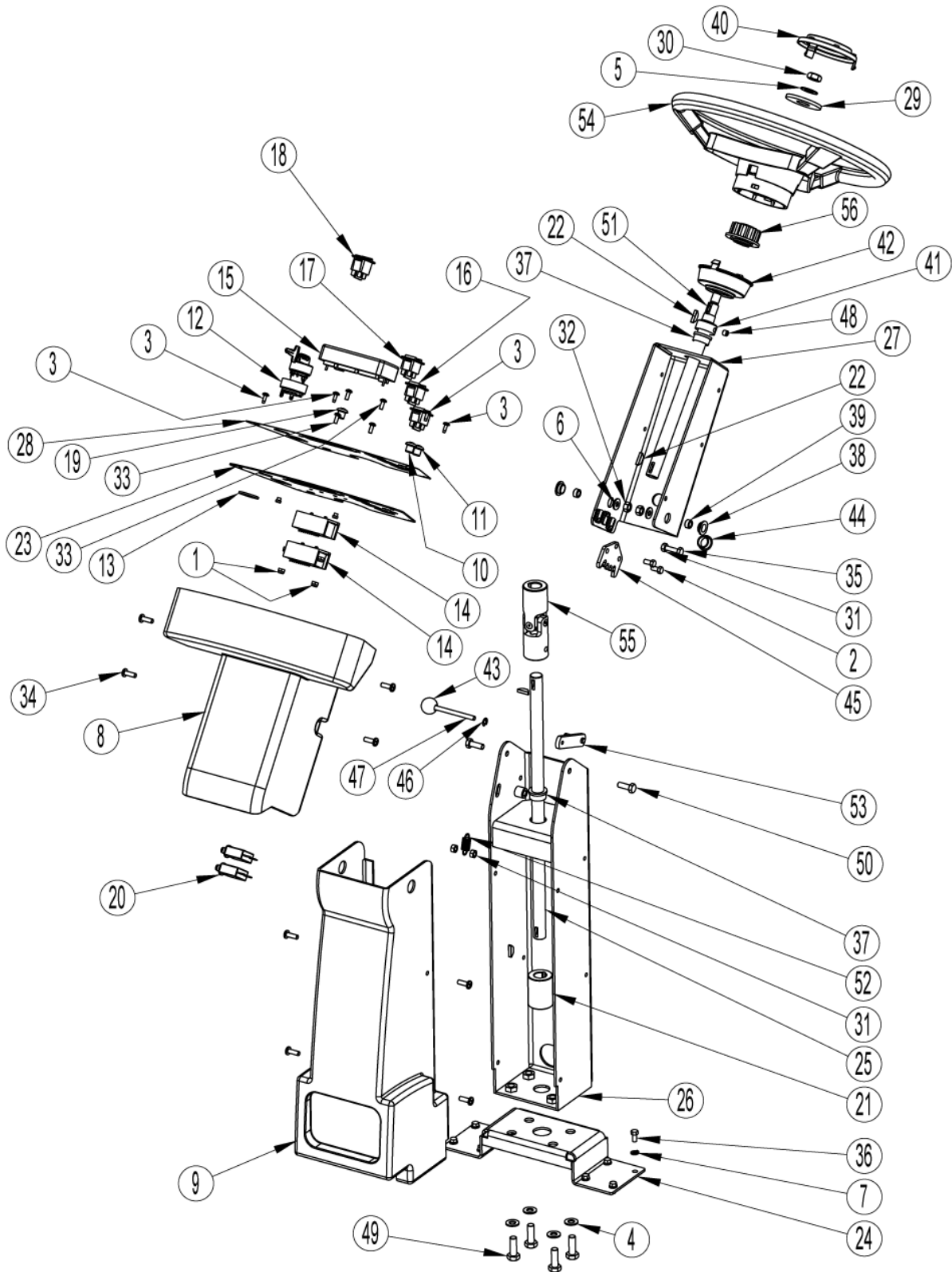


Pos.	Artikel-Nr.	Menge	Variante	Notes
01	170883	2	Scheibe LK 3/8	
02	193944	1	GROMMETRUBBER 3/4ID X 3/8	
03	193951	1	TRIM DOUBLE LIP-BLACK	
04	830214	1	Schlauchtuelle Aussengewi	
05	838517	1	Scheibe für Siebschlauch	
06	2-00-00594	1	Mutter 6kt- 1/4-20	
07	962957	8	Schraube Nr. 10-16X	
08	980614	1	U-Scheibe	
09	980645	2	Scheibe 3/8	[1]
10	56001939	8	Flachdichtung 5/16	
11	980652	8	Scheibe LK 5/16 REG	
12	30445A	1	Schlauch, Frischwasser	
13	30530A	1	Frischwassertank	
14	30534B	1	ergonomischer Sitz,	[2]
15	30539B	1	Deckel rund	[3]
16	30564B	1	Schlauch, Frischwasser-	
17	30566A	1	Schlauch, Frischwasser	
18	30578A	1	GASKET TANK FILL BRKT	
19	30596A	1	PAD SOLUTION TANK STEP RT	[4]
20	30597A	1	PAD SOLUTION TANK STEP LT	[4]
21	30775A	1	Dichtung f. Deckel	[3]
22	56116721	2	GROMMET .59X.78X.62IN	
23	40876A	1	SENSOR LIQUID LEVEL	[5]
24	50358A	1	Adapter, 5/8 Tülle	
25	53498A	1	Rohrbogen 90Grad 1/2 NPTF	
26	53571A	4	Schlauchschele	
27	53767A	1	Gaspedal	[6]
28	54088A	1	Absperrventil	
29	30883A	2	Verbindungsstück, Bogen	
30	61489A	1	COVER ELECTRICAL PANEL	[5]
31	61490A	1	MOUNT SEAT ASM. WLDMT	[5]
32	61492B	1	PLATE SEAT SUPPORT	[5]
33	61561A	2	PIVOT Schmutzwassertank	[3]
34	61562A	2	BRACKET SEAT STOP	[4]
35	61563A	1	Beilagscheibe Seitengestä	
36	61574A	1	BRACKET TANK FILL	[5]
37	61843A	1	Aufnahmeplatte	[5]
38	70841A	1	LABEL BATTERY INSTALLATION	[5]
39	70883A	1	LABEL BATTERY CHARGER	
40	70884A	1	LABEL ERROR CODE	[5]
41	71015A	1	LABEL GASES & CHEMICALS	
42	71278A	1	LABEL BRAKE OPERATION	[5]
43	80333A	2	SCREW 3/8-16 X 5/8 C.R.P.H.	[5]
44	81208A	4	NUT HEX SERRATED FLANGE 5/1	
45	85395A	9	SCREW 1/4 20 X 1/2 PAN HD SS	
46	85398A	4	Flachkopfschraube	
47	85518A	1	Schraube 1/4 -20X 3/4	
48	85704A	2	Sechskantschraube	
49	56002667	8	Schraube 5/16-18 X.75	
50	87036A	2	Flachscheibe Nr. 10 S.S.	
51	50248A	1	Schlauchschele 3/8	
NS	61573B	1	CABLE SEAT/REC TANK	

## Part Notes:

- [1] - EXPIRED USE 56002063
- [2] - EXPIRED ON 02/26/2021
- [3] - EXPIRED NO REPLACEMENT
- [4] - NO LONGER AVAILABLE
- [5] - SEE PI 2017-002

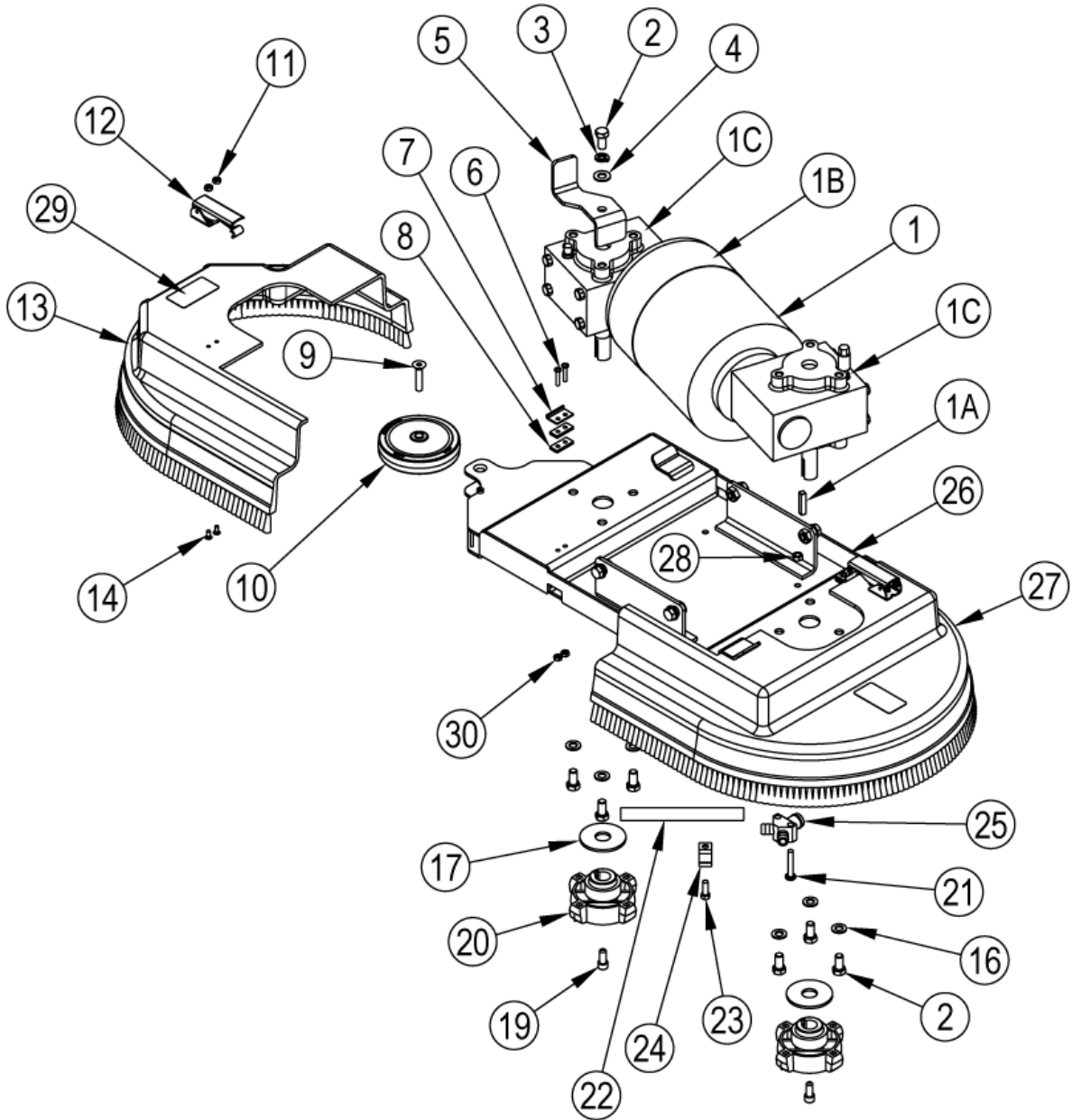
[6] - GUARANTEE DATE EXPIRED



Pos.	Artikel-Nr.	Menge	Variante	Notes
01	56002873	4	Mutter HEX NYL LOC 10-32	
02	962430	2	SCHRAUBE 1/4-20 X 1/2 HX ST MACH	
03	962957	4	Schraube Nr. 10-16X	
04	980645	4	Scheibe 3/8	[1]
05	56001879	1	U-SCHEIBEN	
06	56001939	2	Flachdichtung 5/16	
07	980657	8	Scheibe 1/4 STD	
08	30733B	1	COVER FRONT UPPER	
09	30734B	1	COVER FRONT LOWER	
10	40706A	1	Drucktaster	[2]
11	40748A	1	Umschaltknopf grün	[3]
12	40786A	1	Schlüsselschalter	
13	40786S	1	SPACER KEY SWITCH FOCUS	
14	40879A	2	LED-Modul, Frisch-/	
15	40880B	1	Display LCD	
16	40885A	2	Wippschalter	
17	40890A	1	Wippschalter	[3]
18	40940A	1	Schalter	
19	40941A	1	SWITCH HORN	
20	41423B	2	Überstrombegrenzer 5A rüc	
21	53759A	1	COUPLING SLEEVE	[2]
22	55400A	4	Passfeder	
23	61835A	1	PANEL CONTROL	
24	61837B	1	PLATE COLUMN ADAPTOR	[2]
25	61838B	1	SHAFT LOWER	
26	61839B	1	COLUMN LOWER	[2]
27	61848A	1	COLUMN UPPER STEERING	[4]
28	71165A	1	LABEL CONTROL PANEL	[2]
29	80328A	1	WASHER .82 ID X 2.29 OD X .18T	
30	80349A	1	NUT 1/2-13 THIN HEX NYLOCK	[2]
31	81104A	3	Mutter 1/2-20,	
32	81112A	2	Mutter 5/16-18 dünn	
33	84237A	4	Flachkopfschraube	
34	85518A	8	Schraube 1/4 -20X 3/4	
35	85700A	1	Sechskantschraube	
36	85737A	8	Schraube 1/4-20 X 5/8 HEX	
37	56250414	2	Bearing Flange/Lager	
38	56413211	2	Lagerflansche	
39	56320595	2	BUECHSE	
40	56497543	1	CAP	
41	56367095	1	Ring zu 5015B	
42	56497308	1	Verschaltung Lenkwelle	
43	56440817	1	"Knopf 1.00 x 1/4 ""	
44	56900041	1	Hülse	
45	56413658	1	Verzahnung	
46	56003261	1	Ring	
47	56413664	1	Stange	
48	56002086	1	Madenschraube	
49	80088A	4	SCREW M10-1.5 X 30MM	
50	56002037	2	SCR HEX 5/16-18 X .88	
51	56420059	1	Lenkstange, oben	
52	56305072	1	Zugfeder	
53	56413661	1	Lenksperrung	
54	56497306	1	Lenkrad cu CR 1300	
55	56454081	1	Kreuzgelenk zu 5015B	
56	56497560	1	Adapter	

## Part Notes:

- [1] - EXPIRED USE 56002063
- [2] - SEE PI 2017-002
- [3] - EXPIRED NO REPLACEMENT
- [4] - NO LONGER AVAILABLE

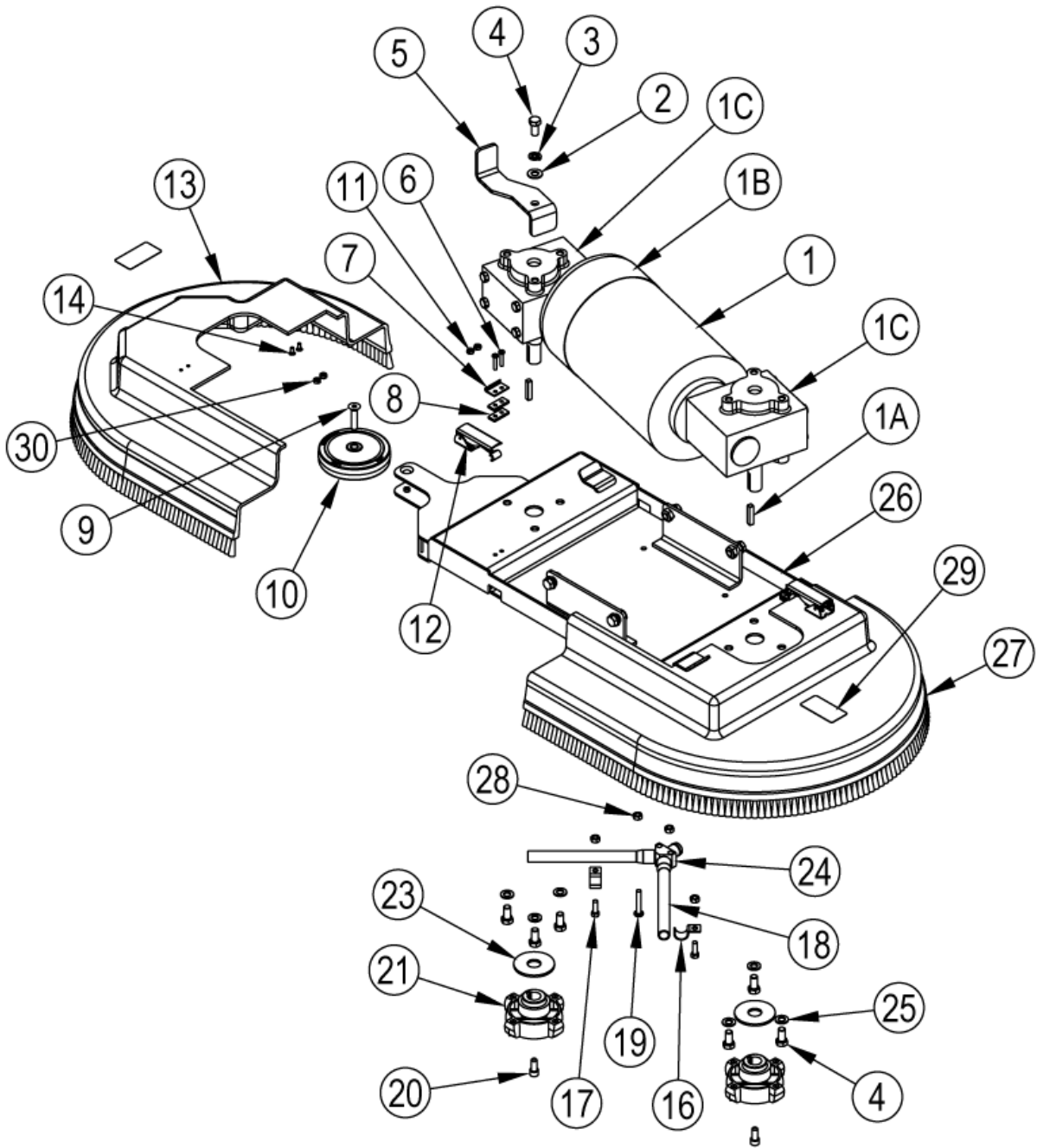


Resource notes:  
NI= Not Illustrated

Pos.	Artikel-Nr.	Menge	Variante	Notes
01	40904B	1	MOTOR 28 RA BRUSH W/ LEADS	[1]
01A	65305A	2	Dorn für Umlenkrolle 8 IN	
01B	56407500	1	Bürstenkit (Satz)	
01C	41048A	2	Getriebe R586	
02	962244	12	Bolzen 3/8 16 X HHCS	[2]
03	170883	2	Scheibe LK 3/8	
04	980645	2	Scheibe 3/8	[3]
05	61497A	1	Aufnahmeplatte s. Sauglei	
05	61722A	1	PLATE 28 HD. SEC. SQ. STOP	[1]
06	85613A	4	SCREW8-32X7/8 PAN HD	
07	55451A	2	Bürstenhalter, Gehäuse	
08	61570A	2	DISTANZPLATTE	[4]
09	962803	1	SCR 5/16-18X1&1/2 SF ST RECES	[4]
10	53838A	1	WHEEL GUIDE 4.00	[5]
11	56009148	4	NUT, HEX MACHINE 8-32	
12	56115427	2	LATCH ASSEMBLY	
13	30535A	1	Bürste HSG 28 RH	
14	962030	4	Schraube 8 32X 3/8	
16	2-00-02310	10	Sicherungsring	
17	59856A	2	Flachscheibe Gummi,	
18	61658A	2	Druckring Antrieb	[6]
19	962714	2	Schraube 5/16-18X 3/4	
20	56382665	2	Kardanring	
21	962989	2	Schraube 1/4 -20X1&1/2	
22	34705A	2	Schlauch, Bürste	
23	170915	2	Sechskantschraube	
24	782002	2	Klemme-Anschlussstück	
25	38014A	1	Verteiler, Frischwasser	
26	61546B	1	BRUSH BASE 28 LOW PROF	[1]
27	30536A	1	Bürste HSG 28 LH	
28	81104A	4	Mutter 1/2-20,	
29	71017A	1	Aufkleber	
30	81109A	4	Sechskant-Sicherungs-	
NI	30535A	1	Bürste HSG 28 RH	
NI	30536A	1	Bürste HSG 28 LH	

## Part Notes:

- [1] - SEE PI 2017-002
- [2] - EXPIRED USE 56002127
- [3] - EXPIRED USE 56002063
- [4] - NO LONGER AVAILABLE
- [5] - EXPIRED ON 06/17/2021
- [6] - TSB-FC-2015-040 Replacement Parts  
SEE TSB-FC-2015-040



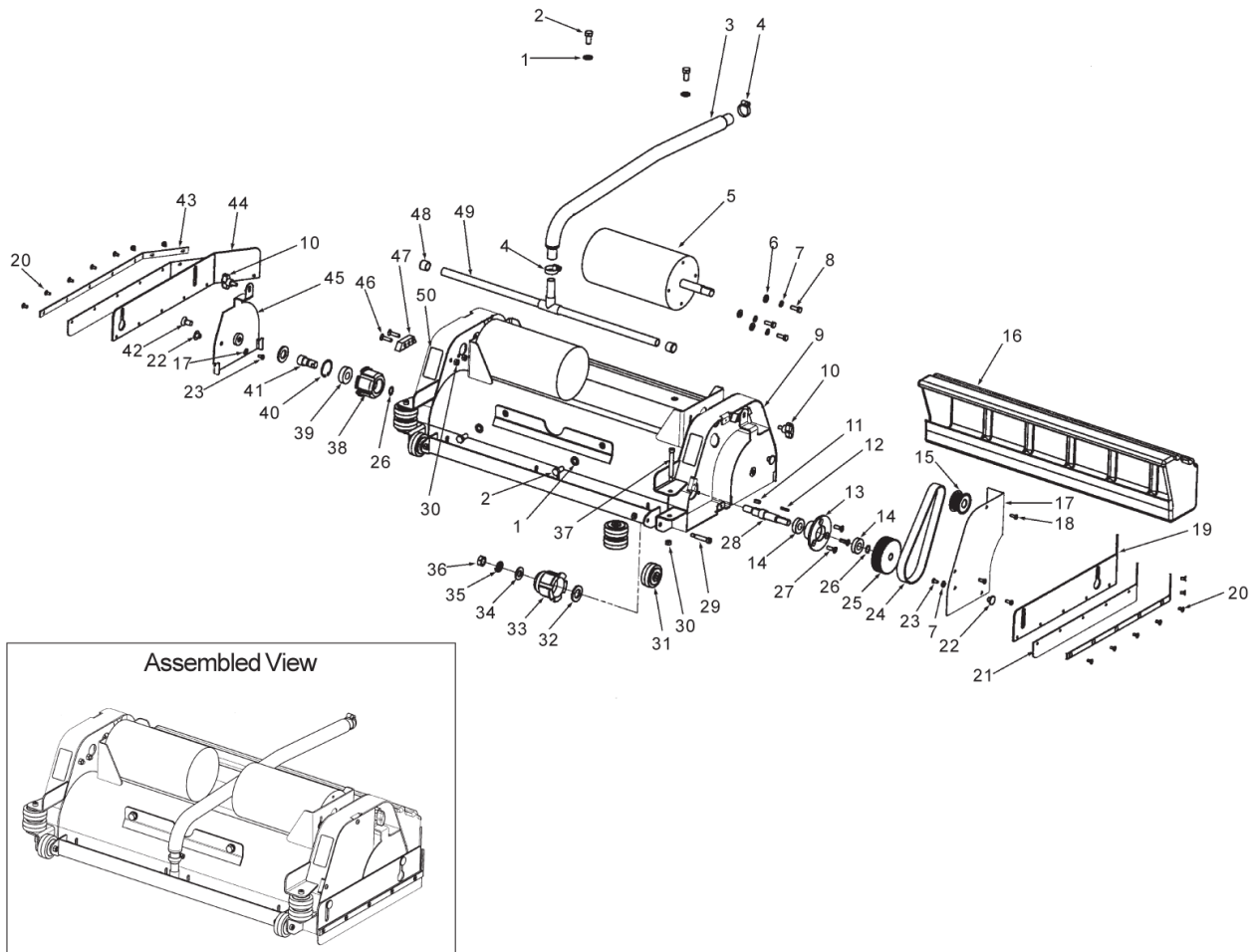
Resource notes:  
NI= Not Illustrated



Pos.	Artikel-Nr.	Menge	Variante	Notes
01	40905B	1	Motor	
01A	65305A	2	Dorn für Umlenkrolle 8 IN	
01B	56407500	1	Bürstenkit (Satz)	
01C	41048A	2	Getriebe R586	
02	980645	2	Scheibe 3/8	[1]
03	170883	2	Scheibe LK 3/8	
04	962244	11	Bolzen 3/8 16 X HHCS	[2]
05	61497A	1	Aufnahmeplatte s. Sauglei	
05	61723A	1	PLATE 34 HD. SEC. SQ. STOP	[3]
06	85613A	4	SCREW8-32X7/8 PAN HD	
07	55451A	2	Bürstenhalter, Gehäuse	
08	61570A	2	DISTANZPLATTE	[3]
09	962803	1	SCR 5/16-18X1&1/2 SF ST RECES	[3]
10	53838A	1	WHEEL GUIDE 4.00	[4]
11	56009148	4	NUT, HEX MACHINE 8-32	
12	56115427	2	LATCH ASSEMBLY	
13	30537A	1	Abdeckung Bürste rechts	
14	962030	4	Schraube 8 32X 3/8	
16	782002	2	Klemme-Anschlussstück	
17	170915	2	Sechskantschraube	
18	30210A	1	Schlauch klar	[3]
19	962989	2	Schraube 1/4 -20X1&1/2	
20	962714	2	Schraube 5/16-18X 3/4	
21	56382665	2	Kardanring	
22	61658A	2	Druckring Antrieb	[5]
23	59856A	2	Flachscheibe Gummi,	
24	38014A	1	Verteiler, Frischwasser	
25	2-00-02310	10	Sicherungsring	
26	61547B	1	BRUSH BASE 34 LOW PROF	
27	30538A	1	Abdeckung Bürste links	
28	81104A	4	Mutter 1/2-20,	
29	71017A	1	Aufkleber	
30	81109A	4	Sechskant-Sicherungs-	
NI	30537A	1	Abdeckung Bürste rechts	
NI	30538A	1	Abdeckung Bürste links	

## Part Notes:

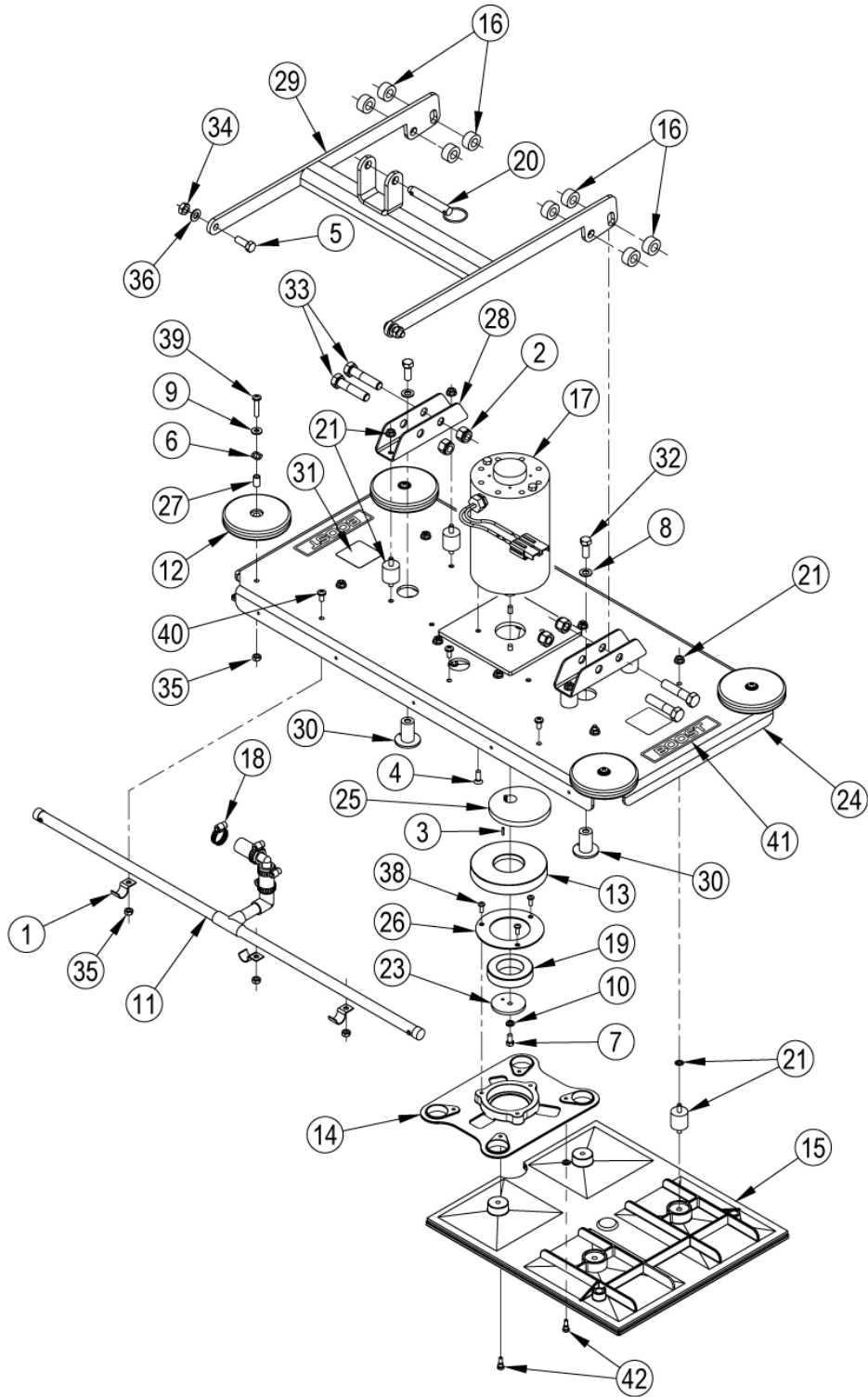
- [1] - EXPIRED USE 56002063
- [2] - EXPIRED USE 56002127
- [3] - NO LONGER AVAILABLE
- [4] - EXPIRED ON 06/17/2021
- [5] - TSB-FC-2015-040 Replacement Parts  
SEE TSB-FC-2015-040



Pos.	Artikel-Nr.	Menge	Variante	Notes
01	2-00-02310	4	Sicherungsring	
02	962244	4	Bolzen 3/8 16 X HHCS	[1]
03	30649A	1	HOSE SOLUTION CYL	
04	50248A	2	Schlauchschelle 3/8	
05	40772A	2	Bürstmotor, Walzenbürste	
06	56002098	6	Scheibe	
07	980657	9	Scheibe 1/4 STD	
08	85806A	6	Schraube	
09	61738A	1	Bürstengehäuse CYL	[2]
10	52477A	2	Flügelschraube	
11	80248A	2	Vierkantschlüssel 3/16	
12	80247A	2	Vierkantschlüssel 1/8 Zol	
13	61308A	2	Lagerträger	
14	51226A	4	Kugellager 6002	
15	61318A	2	Riemenscheibe, Motor	
16	30618A	1	Kehrgutbehälter	[3]
17	61743A	2	Schutz für Riemenantrieb	
18	84237A	6	Flachkopfschraube	
19	61752A	1	Platte f. Rahmen, links	
20	80240A	14	Schraube 32 X 3/8	
21	30312A	2	Seitenschürze	
22	61336A	4	Distanzstück	
23	962094	3	Schraube 1/4 20x 3/8 RD	
24	53661A	2	Antriebsriemen	
25	61319A	2	Riemenscheibe Bürsten-	
26	467308	4	Sicherungsring	
27	962098	6	Schraube 1/4-20 X 3/4	
28	61309A	2	Antriebswelle	
29	80270A	2	Schraube 5/16 x 1,25	
30	81104A	8	Mutter 1/2-20,	
31	30049B	6	Rolle Achs-8	
32	80257A	4	Scheibe 3/4 ID Neopren	
33	61293A	2	Aufnahme Walze	
34	56001879	2	U-SCHEIBEN	
35	980626	2	Sicherungsscheibe,	
36	170857	2	Sechskantmutter 1/2-13	
37	60254A	2	Schraube m. Ansatz 3/8 X	
38	61299A	2	Aufnahme Walze	
39	56106070	2	BEARING BALL Z22	
40	167312	2	Sicherungsring	
41	61310A	2	Antriebswelle	
42	962973	2	Schraube 3/8 -16X 3/4	
43	61335A	2	Schürzenhalter	[4]
44	61751A	1	Platte f. Rahmen, rechts	
45	61742A	1	Klappe für Bürste	[2]
46	962285	4	Schraube 1/4 20x 1FH	
47	61322A	2	Klappenhalterung	[5]
48	53182A	2	Endkappe für Verteiler-	
49	30648A	1	Rohr, Frischwasserzufuhr	
50	71017A	1	Aufkleber	

Part Notes:

- [1] - EXPIRED USE 56002127
- [2] - GUARANTEE DATE EXPIRED
- [3] - EXPIRED ON 07/30/2020
- [4] - EXPIRED ON 6/09/2021
- [5] - SEE PI 2017-002



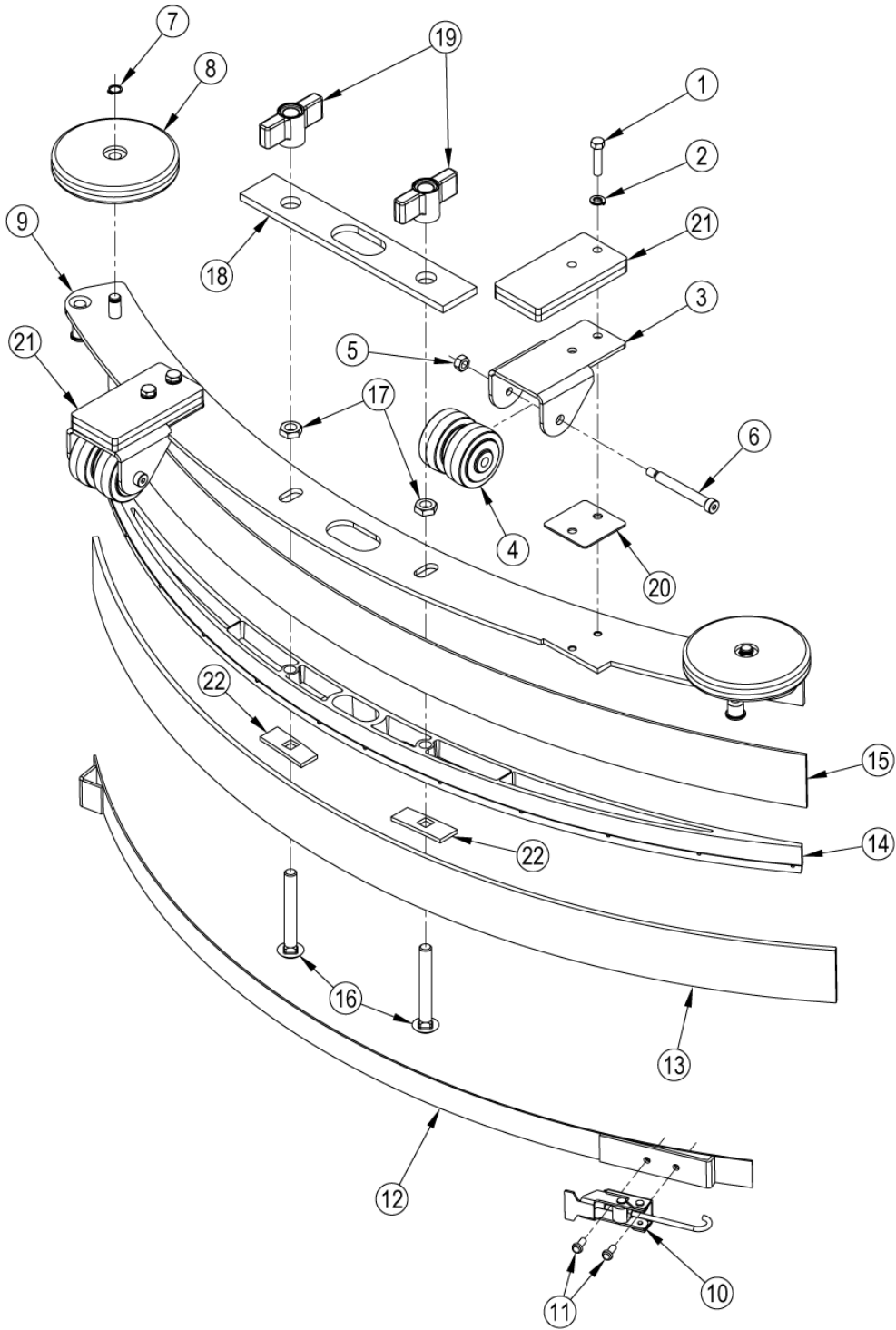
Resource notes:

NOTE 1: Customers ordering parts for machines built before April 2010 need to order 32" Flex Plate Kit 56380211 to replace any or all of these items for repair. NOTE 2: To replace Bearing Shield or Eccentric order 56380246 (Kit Eccentric & Shield).

Pos.	Artikel-Nr.	Menge	Variante	Notes
01	782002	3	Klemme-Anschlussstück	
02	920365	4	Sicherungsmutter	
03	925589	1	PIN 1/8 X 1/2	
04	56001881	4	SCR FLT HD SOC 1/4-20X.75	[1]
05	962288	2	SCREW 3/8-16 X 1.0 HX ST CAP	
06	980022	4	Federscheibe	
07	85737A	8	Schraube 1/4-20 X 5/8 HEX	
08	2-00-02310	2	Sicherungsring	
09	56002098	4	Scheibe	
10	980657	1	Scheibe 1/4 STD	
11	11002A	1	TUBE ASM. 32 DRIP	
12	30048A	4	Rolle 100 x 10-Nabe	
13	56380192	1	Lagerschild	[2]
14	56381491	1	PLATE DRIVER	
14	30663A	1	Halteplatte für	[3]
15	56383370	2	KIT-FLEXPLATE-BOOST 32 HD	[1]
16	30735A	8	SPACER LIFT BRACKET	
17	56390072	1	Motor 24V	
18	50248A	1	Schlauchschelle 3/8	
19	50736A	1	Lager	
20	53493A	1	Vierkantstift 2-1/2	
21	56382991	1	KIT-ISOLATOR BOOST HD	[1]
22	56381989	4	BOLT-SHOULDER	[1]
23	61724A	1	Aufnahme Exzenter	
24	56381721	1	PLATE WELDT BOOST 32	[4]
25	61753B	1	ECCENTRIC BOOST	[5]
26	61775A	1	Lagerhalterung	
27	61782A	4	SLEEVE GUIDE WHEEL	
28	61816B	2	BRACKET LIFT	[6]
29	61818A	1	ARM HEAD LIFT	
30	56381532	1	STUD STABILIZER SHORT	[7]
31	71192A	2	LABEL NO STEP	
32	80103A	2	SCREW 3/8-24 X 1 HEX HEAD	
33	80330A	4	SCREW 1/2-13 X 2 1/4	
34	81105A	2	Mutter 3/8-16,	
35	56002840	5	Nut 1/4 20	
36	87618A	2	Flachscheibe .75X.39X.62	
37	56003825	4	SCR-BUTTON SOC SS LOC 10-32X.6	[1]
38	84237A	3	Flachkopfschraube	
39	56002958	4	Schraube	
40	85395A	3	SCREW 1/4 20 X 1/2 PAN HD SS	
41	56381702	2	LABEL BOOST	
42	56381989	1	BOLT-SHOULDER	

## Part Notes:

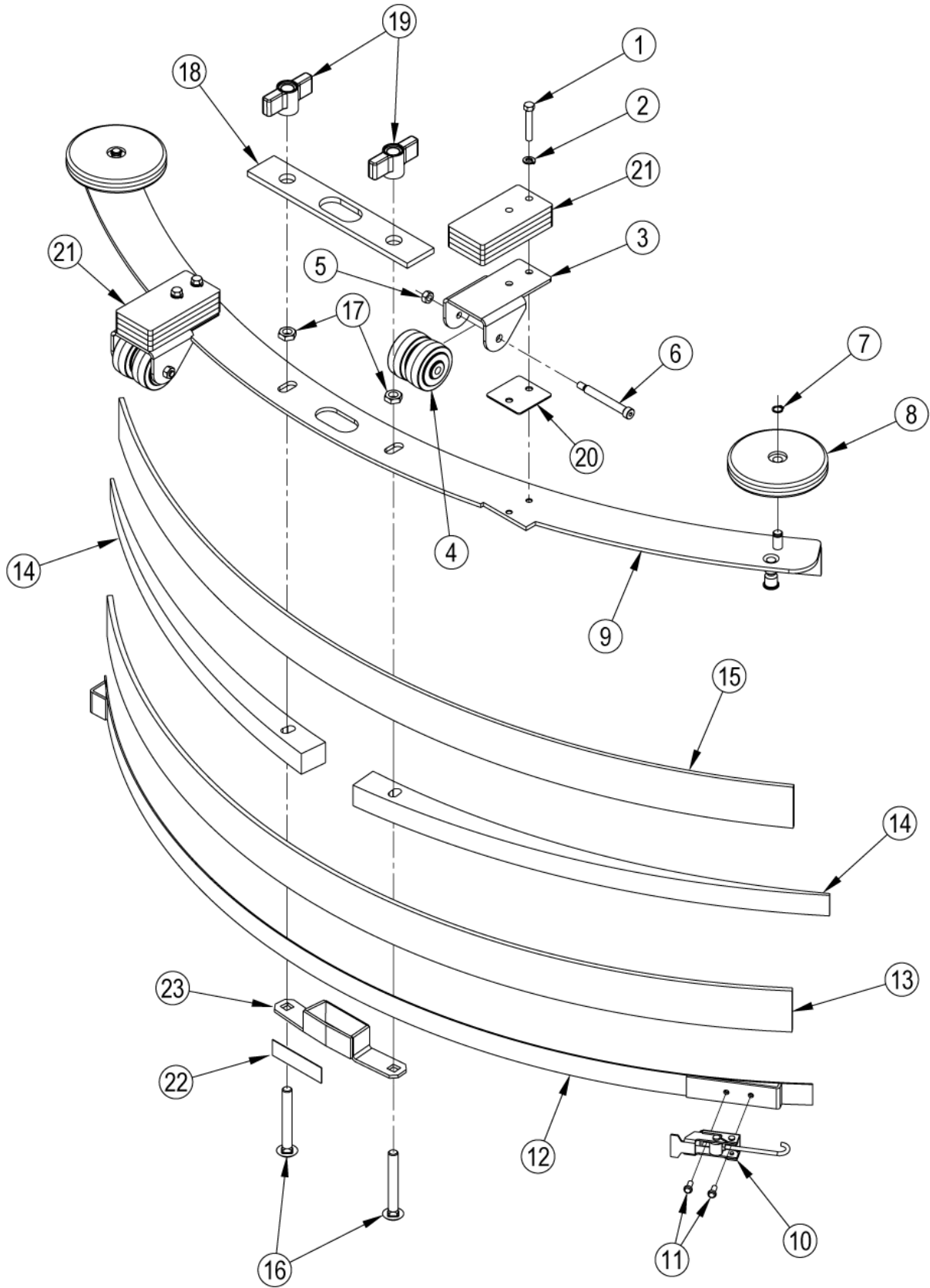
- [1] - NOTE 1 - TSBCL2010-12
- [2] - NOTE 1 - TSBCL2010-12 - NOTE 2  
TSB-CL2010-12
- [3] - EXPIRED USE 56381491
- [4] - GUARANTEE DATE EXPIRED
- [5] - NOTE 2  
SEE TSB- CL2010-12
- [6] - SEE PI 2017-002
- [7] - TSB-CL 2011-0010 BOOST deck noise



Pos.	Artikel-Nr.	Menge	Variante	Notes
01	80252A	4	Schraube 1/4-20 X 1 HH SS	
02	980657	4	Scheibe 1/4 STD	
03	60243A	2	Rahmen für Saugleisten-Ve	
04	30049B	4	Rolle Achs-8	
05	81104A	2	Mutter 1/2-20,	
06	60254A	2	Schraube m. Ansatz 3/8 X	
07	53185A	2	Haltering 3/8 ID	
08	30048A	2	Rolle 100 x 10-Nabe	
09	60234B	1	Kanal Saugleiste 32	
10	50835A	1	Verschlussklammer f.Saugl	
11	930086	2	Niet 3/16X.450 lang	
12	60232A	1	Rohr, Sauglippe,	
13	30556L	1	Sauglippe hinten Gummi rot 35.12	[1]
14	30047A	1	Distanzleiste für Sauglei	
15	30764L1	1	Sauglippe innen, gekerbt,	
16	80011A	2	Schraube 3/8 -16X3 CR SS	
17	81301A	2	Selbsthemmende	
18	34260B	1	Dichtung flach an Sauglei	
19	25201B	2	Drehknopf, Saugfuß	
20	60358A	2	Bremsbelag	
21	61370A	4	Gewicht für Saugfuß	
22	80280A	2	Mutter, Sauglippe,	

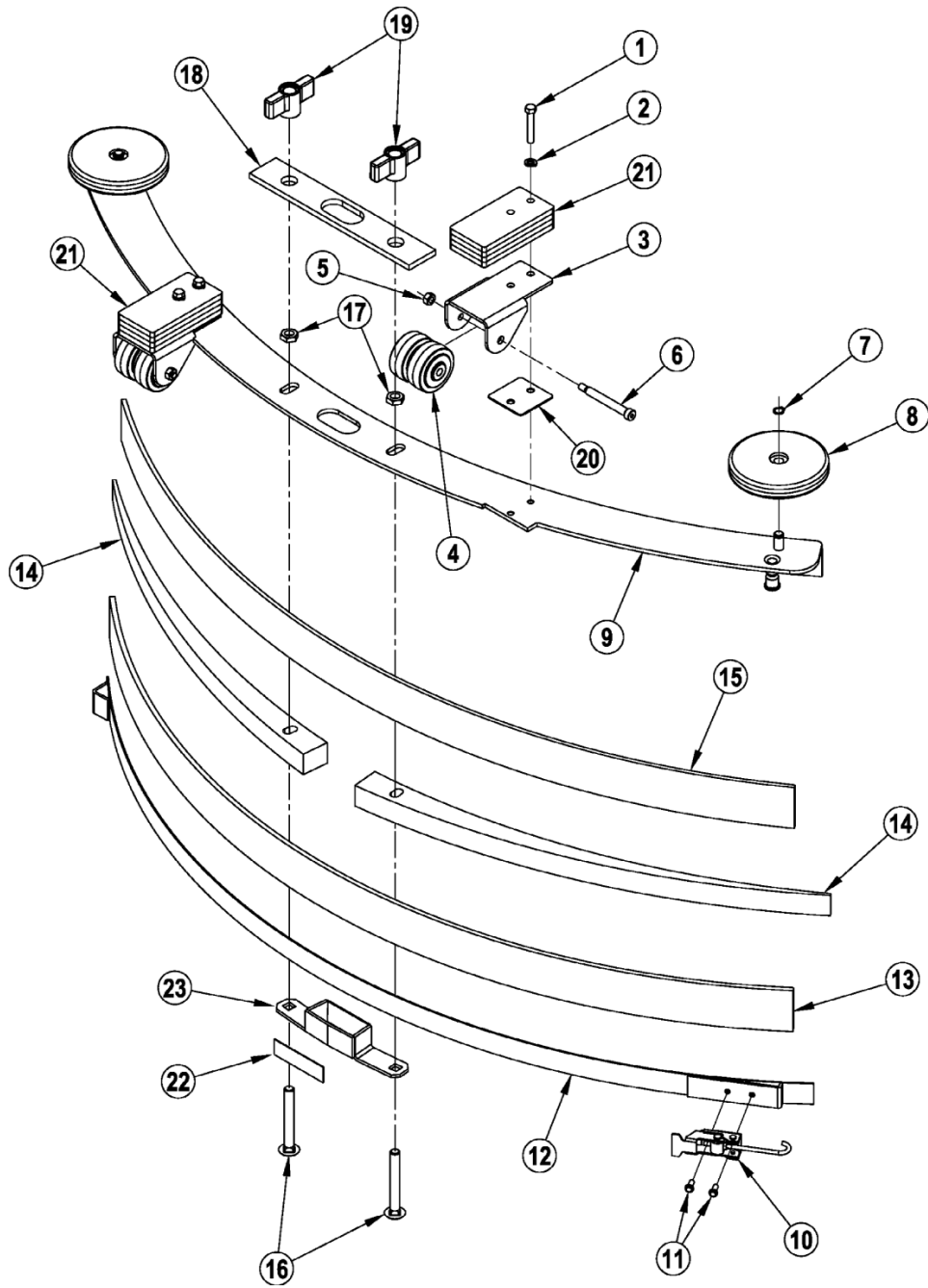
## Part Notes:

[1] - EXPIRED USE 30067L

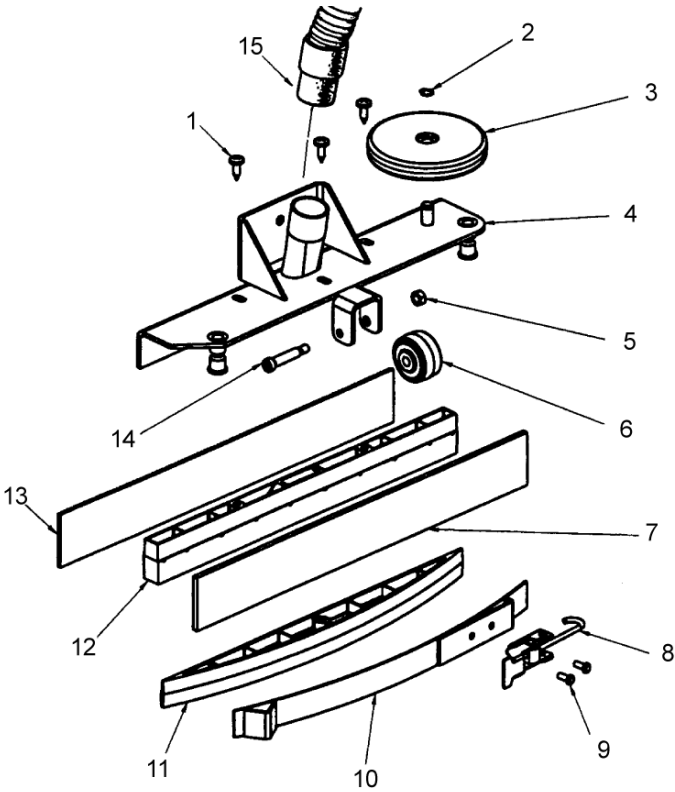




Pos.	Artikel-Nr.	Menge	Variante	Notes
01	56002901	4	SCHRAUBE 1/4-20X 1-1/2SS	
02	980657	4	Scheibe 1/4 STD	
03	60243A	2	Rahmen für Saugleisten-Ve	
04	30049B	4	Rolle Achs-8	
05	81104A	2	Mutter 1/2-20,	
06	60254A	2	Schraube m. Ansatz 3/8 X	
07	53185A	2	Haltering 3/8 ID	
08	30048A	2	Rolle 100 x 10-Nabe	
09	60272B	1	Saugfussleiste Encore	
10	50835A	1	Verschlussklammer f.Saugl	
11	930086	2	Niet 3/16X.450 lang	
12	60252A	1	Klemmband f.Sauglippe EN	
13	30774L	1	Sauglippe hinten, außen	
14	30058A	1	Distanzleiste f.Saugleist	
15	30773L2	1	Sauglippe, innen	
16	80011A	2	Schraube 3/8 -16X3 CR SS	
17	81301A	2	Selbsthemmende	
18	34260B	1	Dichtung flach an Sauglei	
19	25201B	2	Drehknopf, Saugfuß	
20	60358A	2	Bremsbelag	
21	61370A	8	Gewicht für Saugfuß	
22	80280A	2	Mutter, Sauglippe,	



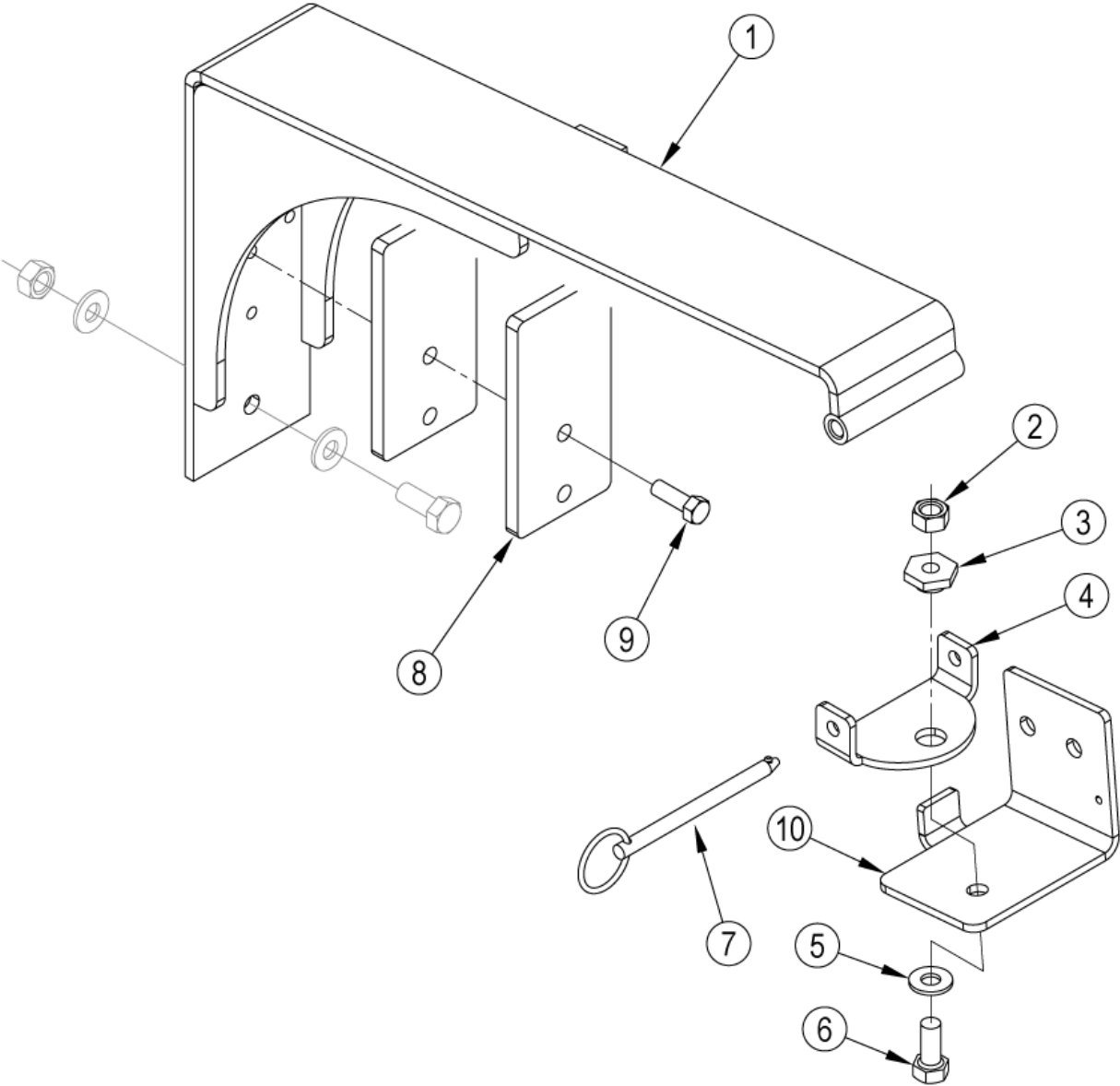
Pos.	Artikel-Nr.	Menge	Variante	Notes
01	56002901	4	SCHRAUBE 1/4-20X 1-1/2SS	
02	980657	4	Scheibe 1/4 STD	
03	60243A	2	Rahmen für Saugleisten-Ve	
04	30049B	4	Rolle Achs-8	
05	81104A	2	Mutter 1/2-20,	
06	60254A	2	Schraube m. Ansatz 3/8 X	
07	53185A	2	Haltering 3/8 ID	
08	30048A	2	Rolle 100 x 10-Nabe	
09	61886A	1	SQUEEGEE WLDMT 41	
10	50835A	1	Verschlussklammer f.Saugl	
11	930086	2	Niet 3/16X.450 lang	
12	61885A	1	Saugfuss Halteschiene	
13	30774L	1	Sauglippe hinten, außen	
14	38726A	2	Distanzstück Sauglippe	
15	30773L2	1	Sauglippe, innen	
16	80011A	2	Schraube 3/8 -16X3 CR SS	
17	81301A	2	Selbsthemmende	
18	34260B	1	Dichtung flach an Sauglei	
19	25201B	2	Drehknopf, Saugfuß	
20	60358A	2	Bremsbelag	
21	61370A	8	Gewicht für Saugfuß	
22	37016A	1	Pad, Sauglippengriff	
23	62712A	1	Kanal, Sauglippe Eintritt	



Pos.	Artikel-Nr.	Menge	Variante	Notes
01	80275A	3	SCREW 1/4 X 3/4 TYPE	
02	53185A	1	Haltering 3/8 ID	
03	30048A	1	Rolle 100 x 10-Nabe	
04	61496A	1	SAUGFUSS VORNE	[1]
05	81104A	1	Mutter 1/2-20,	
06	59932A	1	Vorderrad, 2000 PV	
07	30540L	1	Sauglippe seidl. Saugfuß, aussen	
08	50835A	1	Verschlussklammer f.Saugl	
09	930086	2	Niet 3/16X.450 lang	
10	61495A	1	CLAMP FRONT SQ BLADE	[2]
11	53444A	1	Keil, vorderer Saugfuss	[3]
12	53443A	1	Distanzstück Vorderseite	
13	30541A	1	Sauglippe seidl. Saugfuß, vorne, 15,5	
14	80270A	1	Schraube 5/16 x 1,25	
15	30569A	1	Schlauch 1-1/4 X 46	

## Part Notes:

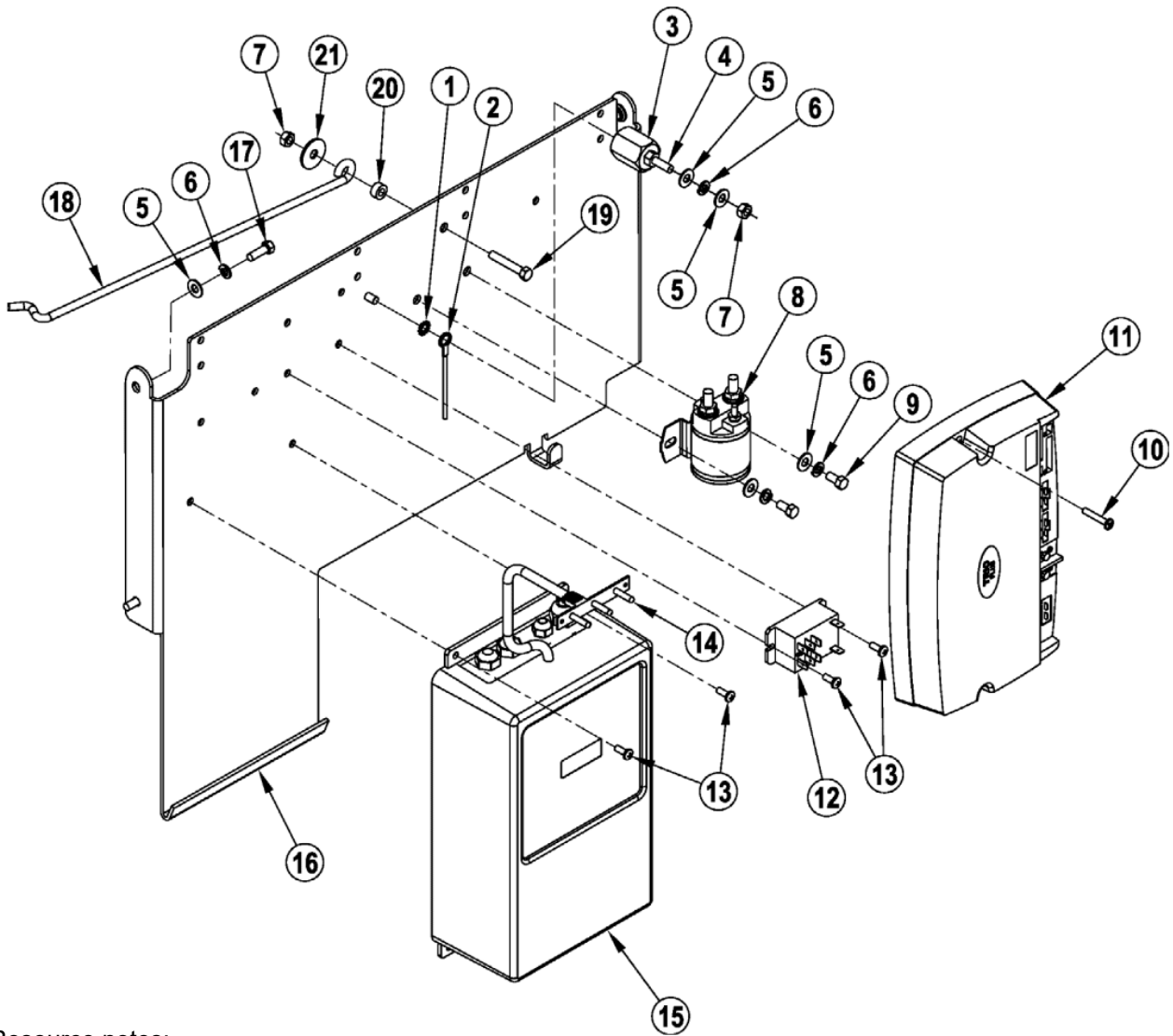
- [1] - NO LONGER AVAILABLE
- [2] - SEE PI 2017-002
- [3] - EXPIRED ON 8/06/2020 STOC



Pos.	Artikel-Nr.	Menge	Variante	Notes
01	61548A	1	Arm zweite Sauglippe	
02	81112A	2	Mutter 5/16-18 dünn	
03	67867A	1	Distanzstück, Sauglippe	
04	60256A	1	Halterung, Zapfen	[1]
05	56001939	3	Flachdichtung 5/16	
06	56002667	2	Schraube 5/16-18 X.75	
07	53491A	1	Haltestift	
08	61370A	2	Gewicht für Saugfuß	
09	170915	2	Sechskantschraube	[2]
10	61572A	1	Halterung vorn Sauglippe	

## Part Notes:

- [1] - EXPIRED ON 01/23/2020
- [2] - SS



Resource notes:

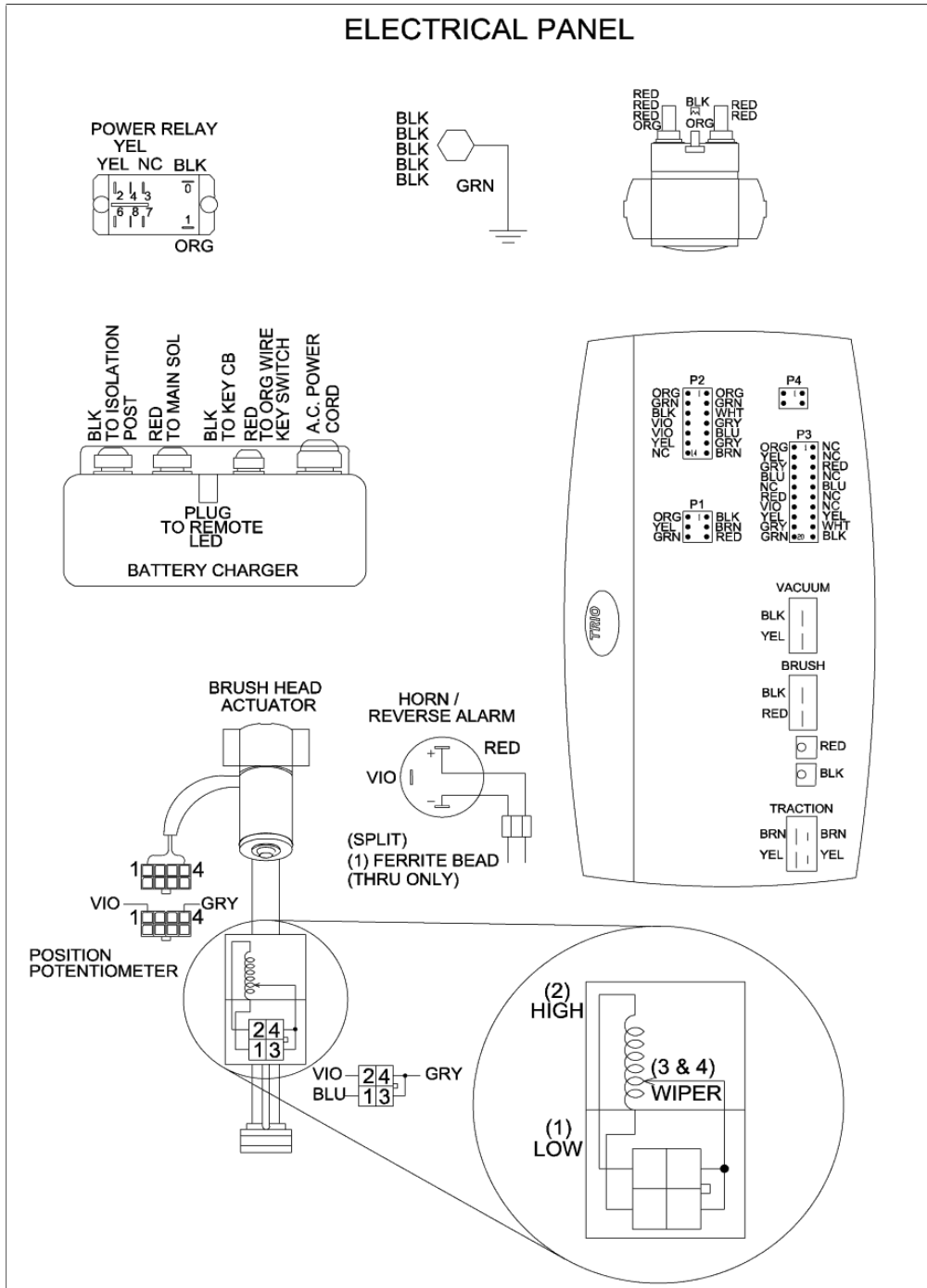
NOTE 1: Main Controller 53791A has been replaced by 56381788. When installing 56381788 in place of 53791A you will also need to order Main Controller Kit 56381791. NOTE 2: Main Controller 53792A has been replaced by 56381787. When installing 56381787 in place of 53792A you will also need to order Main Controller Kit 56381791. NOTE 3: Main Controller 53790B has been replaced by 56381789. When installing 56381789 in place of 53790B you will also need to order Main Controller Kit 56381791.



Pos.	Artikel-Nr.	Menge	Variante	Notes
00	40882A	1	CABLE 200 AMP FUSIBLE	[1]
00	71015A	1	LABEL GASES & CHEMICALS	[2]
00	40896A	1	CABLE 32 NEG BATTERY	[1]
00	41217A	1	CABLE BATTERY KIT 14662B	[2]
00	40934A	1	Kabelstrang	[3]
00	40895A	1	CABLE 24 POS BATTERY	[2]
01	980614	1	U-Scheibe	
02	40965A	1	HARNNESS MAIN POWER CYL MAN STR	[4]
02	40932B	1	Kabelbaum, Haupt-	[5]
03	854849	1	Isolator RO-42/32IX/26IX	
04	83302a	1	Bolzen 1/4-20	
05	87026A	8	Scheibe .250	[6]
06	980657	7	Scheibe 1/4 STD	
07	81104A	2	Mutter 1/2-20,	
08	41801A	1	Schütz 36V	
09	962430	2	SCHRAUBE 1/4-20 X 1/2 HX ST MACH	
10	56009334	1	SCR PAN PHIL 10-32 X 1.12	
11	56381787	1	Hauptcontroller TRIOHD	[7]
11	56381789	1	CONTROLLER-MAIN TRIO+HD	[8]
11	56381788	1	Controller	[9]
12	40892A	1	Zweipoliges Umschalt-	
13	962929	4	PHILLIPS PAN MACHINE SCREW	[10]
14	40853A	1	Platine Fern-LED	
15	40797A	1	LADEGERÄT 36V CE 230V	[11]
16	61558A	1	PANEL ELECTRICAL	[10]
17	962086	4	SCR 1/4 -20X 3/4 HX ST CAP	
18	61876B	1	ROD SEAT PROP	
19	86004A	1	Klemmschraube 1/4	
20	30542A	1	Abstandshalter	[12]
21	980205	1	Scheibe	

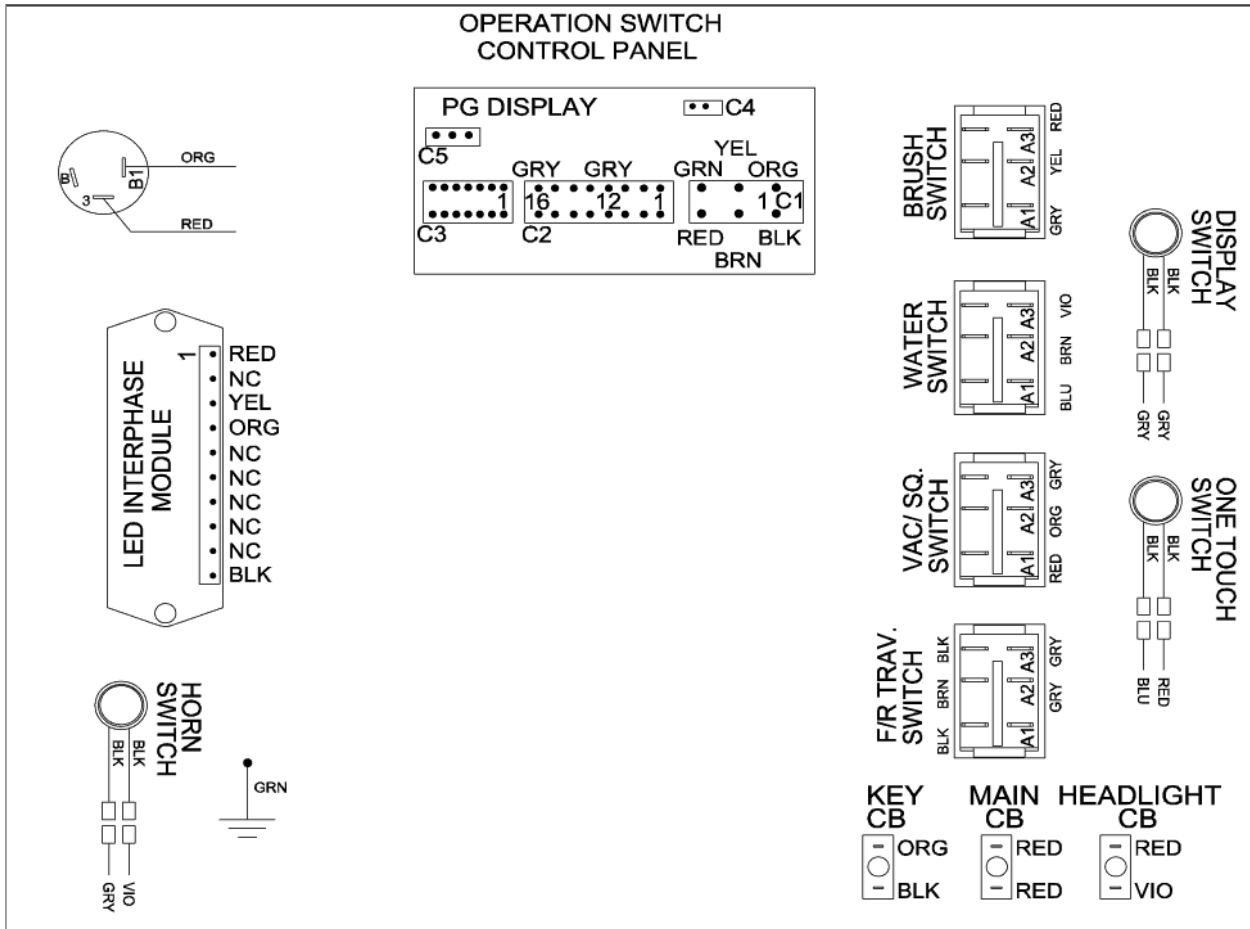
## Part Notes:

- [1] - NOT SHOWN  
SEE PI 2017-002
- [2] - NOT SHOWN
- [3] - NOT SHOWN  
EXPIRED NO REPLACEMENT
- [4] - CYL. ONLY
- [5] - Manual steering
- [6] - EXPIRED USE 56002859
- [7] - R 586 - NOTE 2
- [8] - R 81 - NOTE 3
- [9] - R 571 - NOTE 1
- [10] - NO LONGER AVAILABLE
- [11] - EXPIRED ON 6/09/2021
- [12] - SEE PI 2017-002



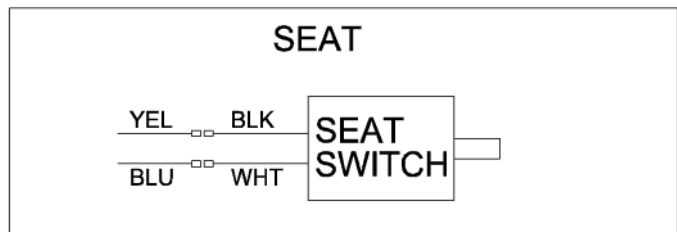
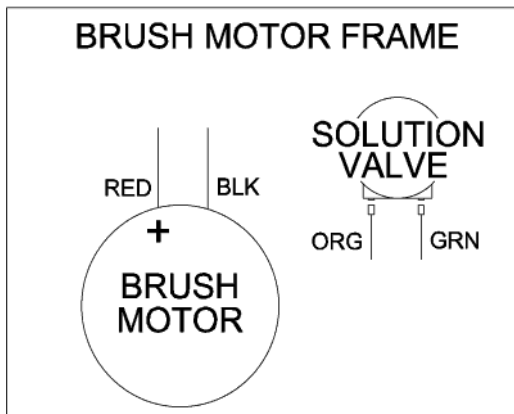
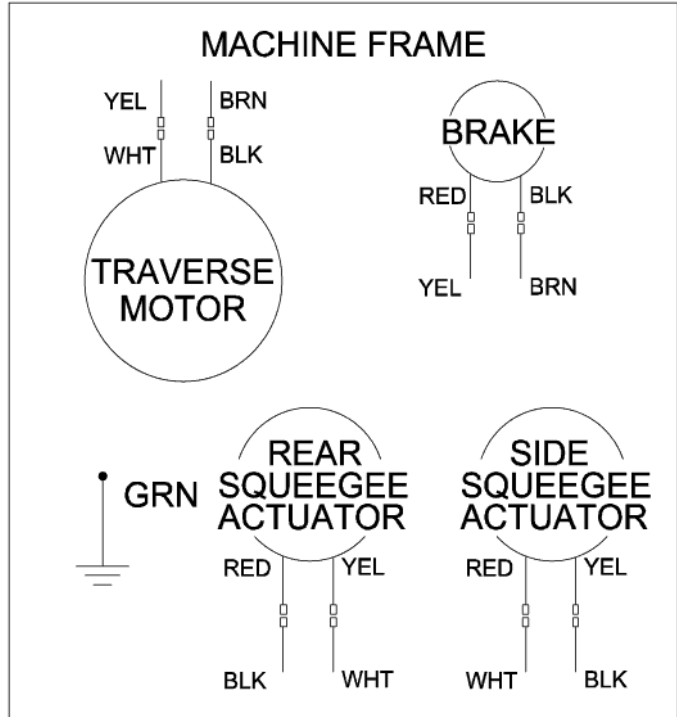
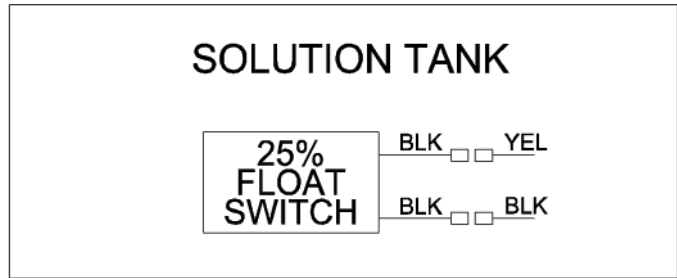
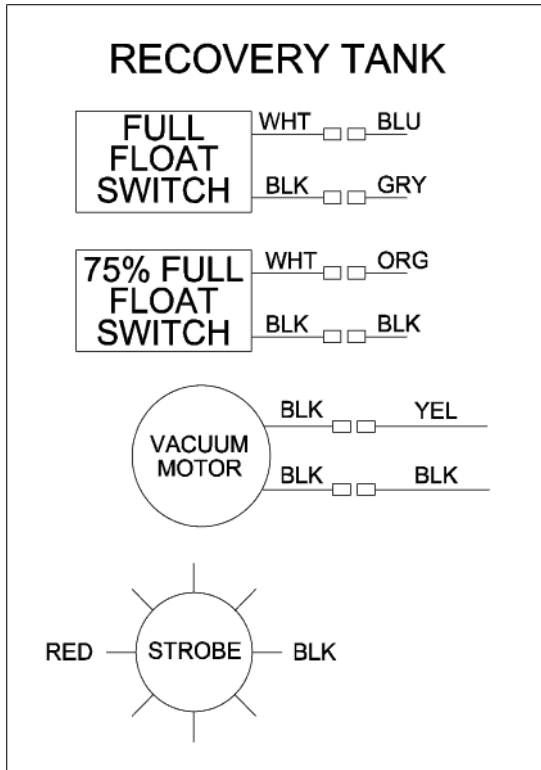
---

Pos.	Artikel-Nr.	Menge	Variante	Notes
------	-------------	-------	----------	-------



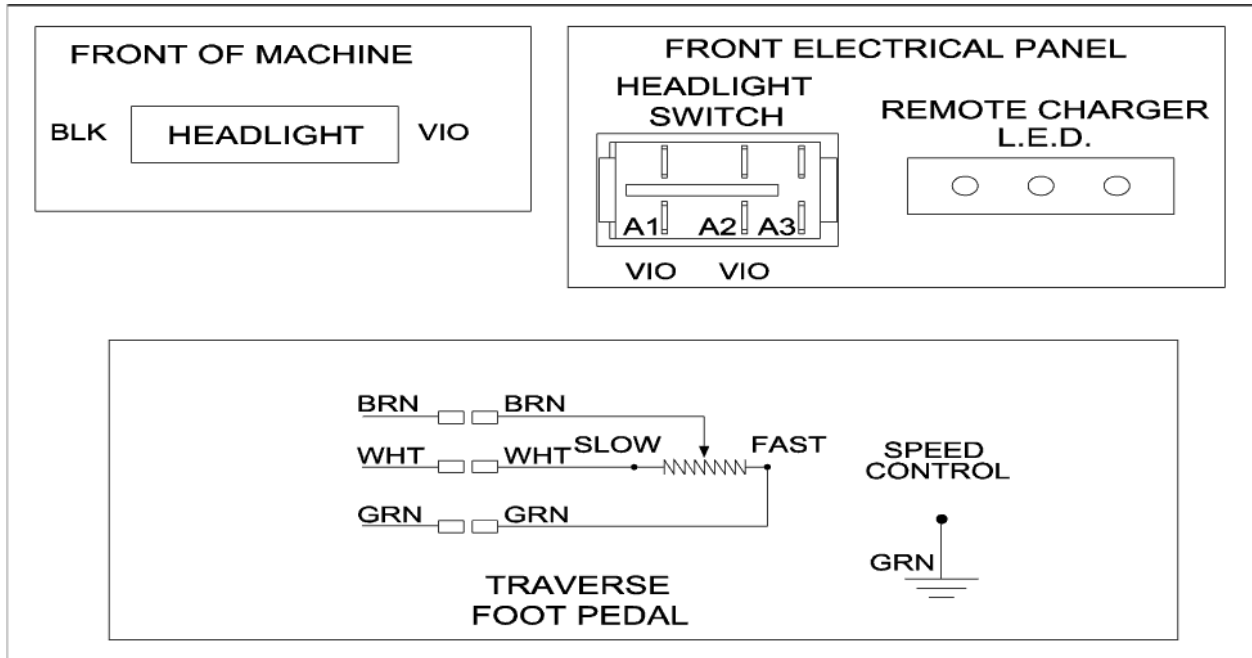
---

Pos.	Artikel-Nr.	Menge	Variante	Notes
------	-------------	-------	----------	-------



---

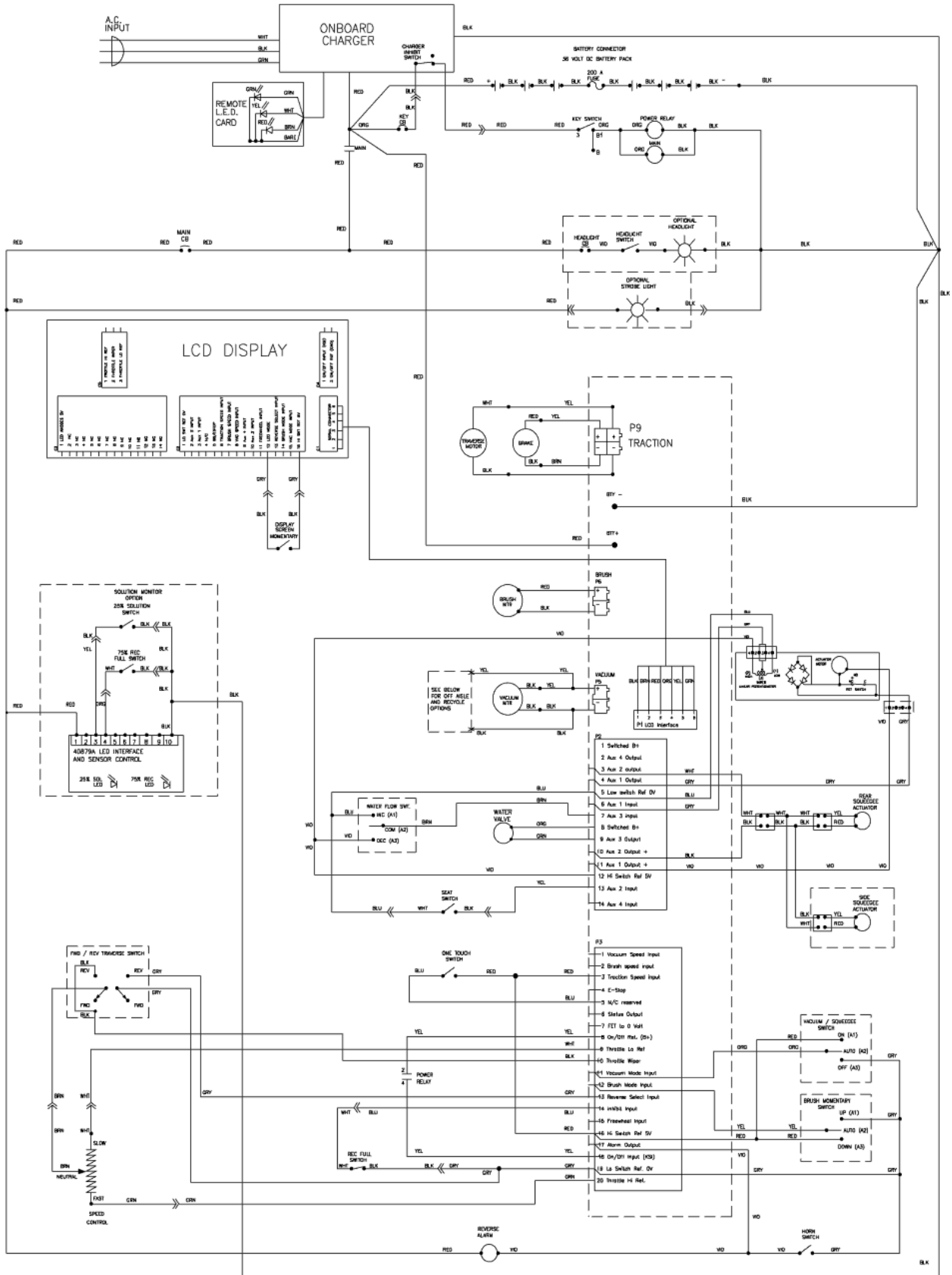
Pos.	Artikel-Nr.	Menge	Variante	Notes
------	-------------	-------	----------	-------





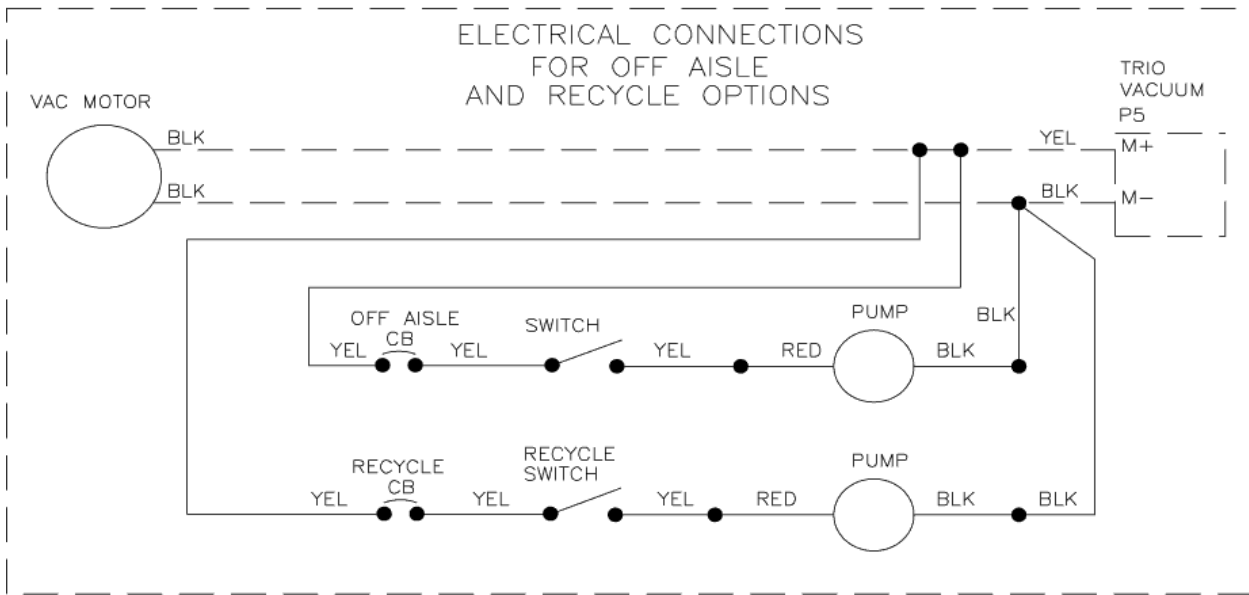
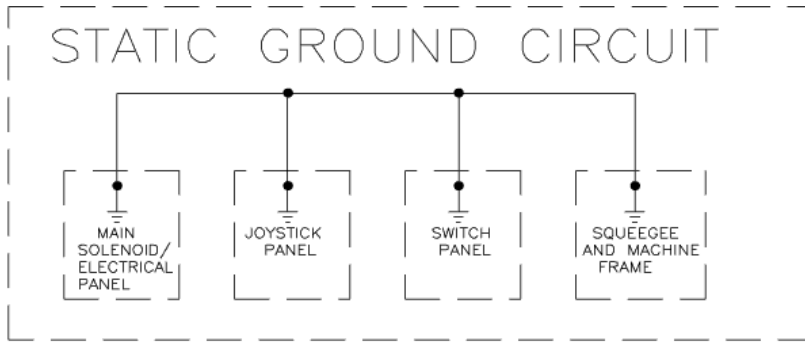
---

Pos.	Artikel-Nr.	Menge	Variante	Notes
------	-------------	-------	----------	-------



---

Pos.	Artikel-Nr.	Menge	Variante	Notes
------	-------------	-------	----------	-------



---

Pos.	Artikel-Nr.	Menge	Variante	Notes
------	-------------	-------	----------	-------



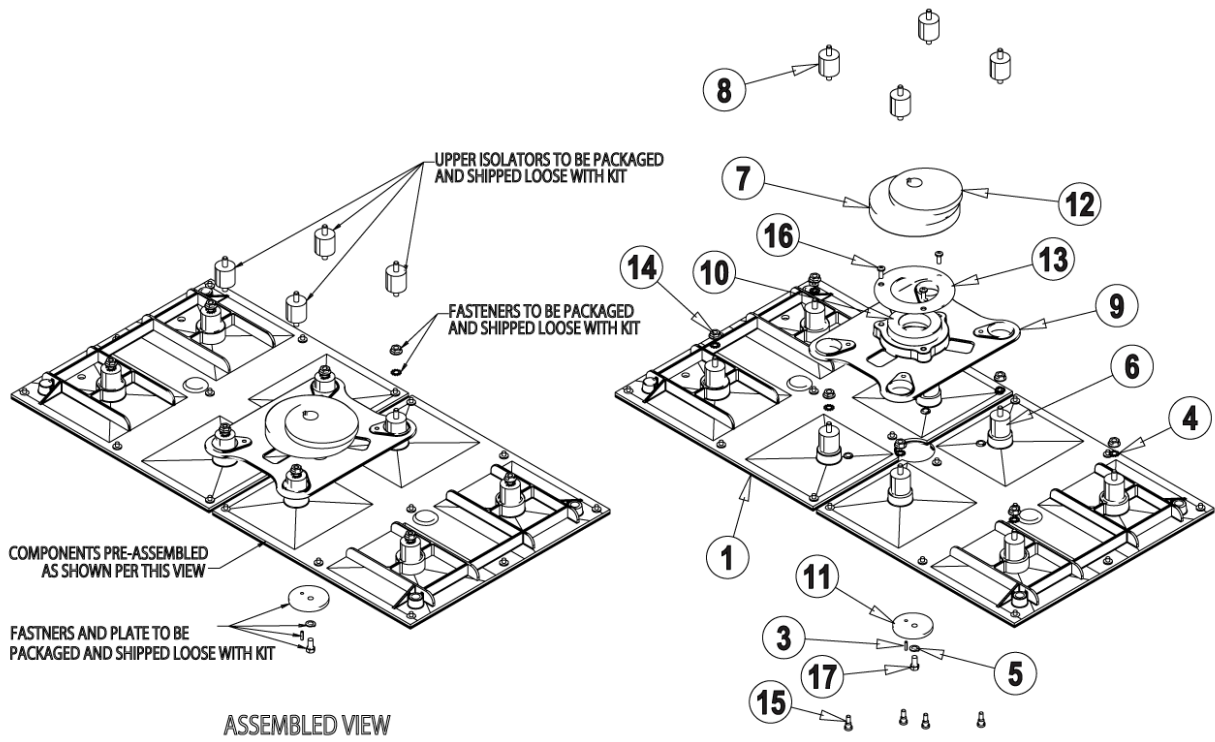
Pos.	Artikel-Nr.	Menge	Variante	Notes
01A	38036A	1	Padhalter 355 mm	[1]
01B	10383A	1	BRUSH ASM LITE GRIT 14	[2]
01C	11431B	1	Schleifkornbürste Grit mittel, 355 mm	[1]
01D	11426B	1	Schleifkornbürste 355 mm	[2]
01E	11427B	1	Schrubbbürste PP, 355 mm	[1]
01F	10874A	1	Schrubbbürste 355 mm	[1]
02A	38034A	1	Padhalter 430 mm	[3]
02B	10384A	1	Schleifkornbürste 430 mm, Grit 17	[3]
02C	11430B	1	Schleifkornbürste Grit mittel, 430 mm	[3]
02D	11425B	1	Schleifkornbürste Grit, schwer, 430 mm	[3]
02E	11424B	1	Schrubbbürste PP 430 mm,	[3]
02F	10875A	1	Schrubbbürste 430 mm	[3]
03A	30614A	1	Walzenbürste zyl., PP	[4]
03B	30615A	1	Walzenbürste zyl., Nylon	[4]
03C	30616A	1	Walzenbürste zyl., Clean Grit	[4]
03D	30617A	1	Walzenbürste zyl., Super Grit	[4]
03E	30619A	1	BRUSH LITE GRIT CYL	[4]
04A	997004	1	Pad 14", Ø 355 mm, rot, VPE 5	[5]
04B	997003	1	Pad 14", Ø 355 mm, schwarz, VPE 5	[5]
04C	997005	1	Pad 14", Ø 355 mm, weiß, VPE 5	[5]
04D	997007	1	Pad 14", Ø 355 mm, blau, VPE 5	[5]
05A	30556A	1	Sauglippe hinten Gummi	[1]
05B	30556L	1	Sauglippe hinten Gummi rot 35.12	[6]
05C	30066A	1	Sauglippe Saugfuß	[1]
05D	30764L1	1	Sauglippe innen, gekerbt,	[1]
05E	30540A	1	Sauglippe seitl. Saugfuß, 15,5 vorne	[1]
05F	30540L	1	Sauglippe seitl. Saugfuß, aussen	[1]
05G	30541A	1	Sauglippe seitl. Saugfuß, vorne, 15,5	[1]
06A	30557A	1	Sauglippe hinten Gummi	[7]
06B	30557L	1	Sauglippe hinten Gummi rot 43.50	[7]
06C	30091A	1	Sauglippe hinterer Saugfuß	[7]
06D	30717L1	1	Sauglippe innere, eingekerbt	[7]
06E	30540A	1	Sauglippe seitl. Saugfuß, 15,5 vorne	[7]
06F	30540L	1	Sauglippe seitl. Saugfuß, aussen	[7]
06G	30541A	1	Sauglippe seitl. Saugfuß, vorne, 15,5	[7]
07A	30773L2	2	Sauglippe, innen	[5]
07B	38727A	1	Sauglippe f. Saugleiste, vorne, innen	[5]
07C	30774A	1	Auflageschiene Saugleiste	[5]
07D	30774L	1	Sauglippe hinten, außen	[5]
08B	10881A	1	OFF AISLE WAND KIT	[8]
08C	10876A	1	SOL/REC INDICATOR KIT	[9]
08D	10877A	1	Blinkleuchte	[9]
08E	10816A	1	REC TANK CLEANOUT OPTION	[10]
08F	10879A	1	Scheinwerfer-Set	[11]
08G	53390A	1	KIT 36V BTY MAINT. SYSTEM	[12]
08H	53572A	1	Sicherheitsgurt fest	[9]
08I	11079A	1	Reinigungsmittel-Dosiersystem	[13]
08J	11036A	1	CHEMICAL TANK SPARE RIDER	[14]

## Part Notes:

- [1] - SCRUBTEC R 571 DISC MODEL
- [2] - SCRUBTEC R 571 DISC MODEL  
COMPLEXITY REDUCTION
- [3] - SCRUBTEC R 586 DISC MODEL
- [4] - SCRUBTEC R 571 C CYLINDRICAL MODEL
- [5] - SCRUBTEC R BOOST MODEL
- [6] - SCRUBTEC R 571 DISC MODEL  
EXPIRED USE 30067L
- [7] - SCRUBTEC R 586 DISC & 571 C CYLINDRICAL MODELS

- [8] - FIELD INSTALLED OPTION KITS  
EXPIRED NO REPLACEMENT
- [9] - FIELD INSTALLED OPTION KITS  
PRUNED ACCESSORY
- [10] - FIELD INSTALLED OPTION KITS  
NO LONGER AVAILABLE
- [11] - FIELD INSTALLED OPTION KITS  
EXPIRED ON 11/3/2021
- [12] - FIELD INSTALLED OPTION KITS  
SEE PI 2017-002
- [13] - FIELD INSTALLED OPTION KITS  
EXPIRED ON 9/5/2017
- [14] - FIELD INSTALLED OPTION KITS





Pos.	Artikel-Nr.	Menge	Variante	Notes
0	56383369	1	KIT-FLEXPLATE-BOOST 28 HD	
0	56383370	1	KIT-FLEXPLATE-BOOST 32 HD	
0	56383151	1	KIT-FLEXPLATE-BOOST 28 LG	
1	56383375	1	FLEX PLATE ASSY 28	[1]
1	56383376	1	FLEX PLATE ASSY 32	[2]
2		1	Loctite 242 Compound Blue 0.5	[3]
3	925589	1	PIN 1/8 X 1/2	
4	980614	8	U-Scheibe	
5	980657	1	Scheibe 1/4 STD	
6	56380190	8	ISOLATOR-30 DURO 1/4-20	
7	56380192	1	Lagerschild	[4]
8		4	Isolator-40 Duro 1/4-20	[5]
9	56381491	1	PLATE DRIVER	
10	50736A	1	Lager	
11	61724A	1	Aufnahme Exzenter	
12		1	Eccentric	[6]
13	61775A	1	Lagerhalterung	
14	56001827	8	NUT HEX SERRATED 1/4-20	
15	56381989	1	BOLT-SHOULDER	
16	84237A	3	Flachkopfschraube	
17	85737A	1	Schraube 1/4-20 X 5/8 HEX	
K1	56380246	1	Exzenterische	[7]
K2	56382991	1	KIT-ISOLATOR BOOST HD	[8]

## Part Notes:

- [1] - 56383369 56383151
- [2] - 56383370
- [3] - Loctite 242 Compound Blue 0.5
- [4] - TSB-CL2010-12
- [5] - Isolator-40 Duro 1/4-20
- [6] - Eccentric
- [7] - Includes pos. 3, 7, 12
- [8] - Includes pos. 2, 4, 6, 8, 14

for use with 56383369 56383370

