

# PARTS LIST



2017.09.25

 **Nilfisk**<sup>®</sup>

 07351-5758060

[kontakt@nilfisk-alto-shop.com](mailto:kontakt@nilfisk-alto-shop.com)



**Preisabfrage bzw. Bestellungen der Artikel im Shop unter**

**[www.nilfisk-alto-shop.com](http://www.nilfisk-alto-shop.com)**

**einfach die Artikelnummer in die Suchmaske eingeben**

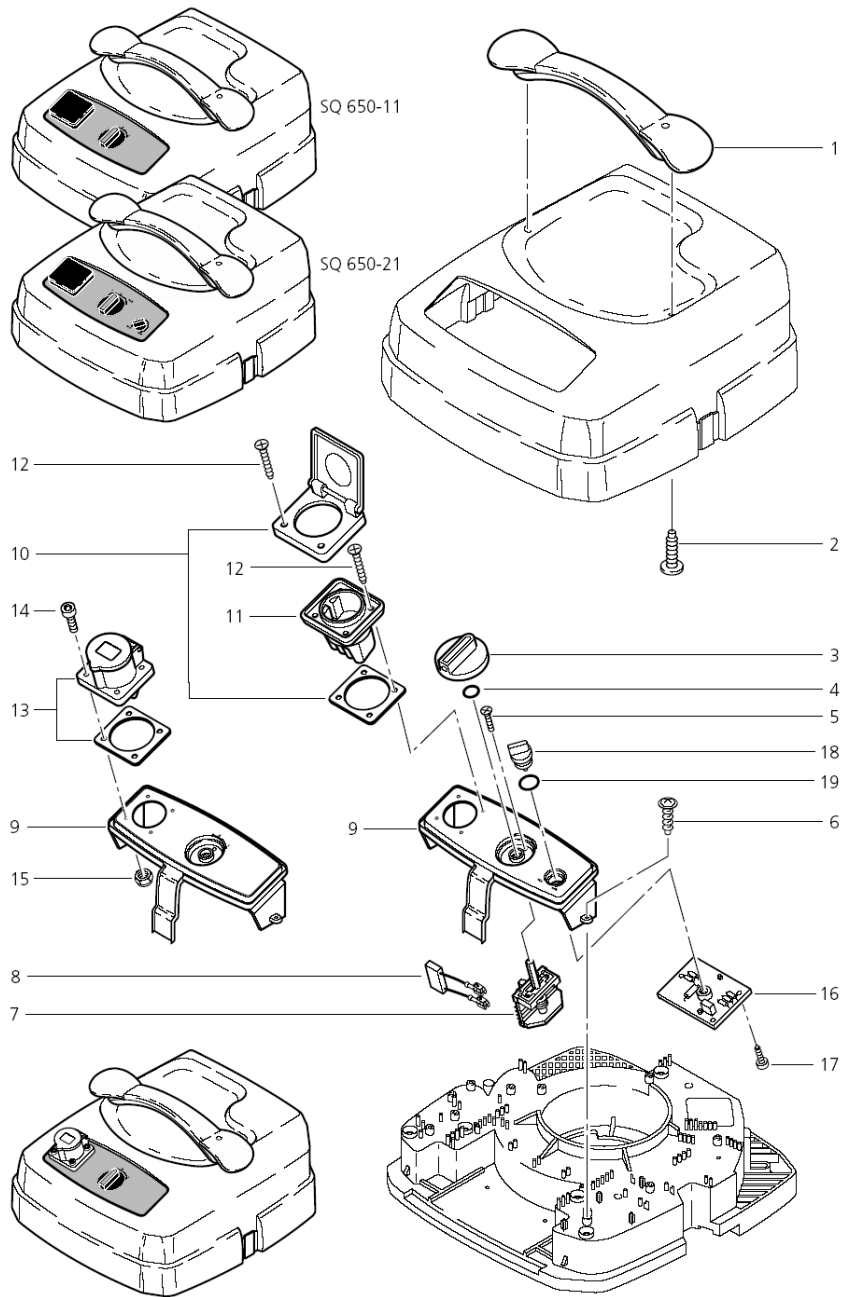
**(Bitte die Artikelnummer ohne Leerzeichen eingeben)**

# TABLE OF CONTENTS

---

Cabinet (a).....	1
Cabinet (b).....	3
Motor.....	5
Filter.....	7
Frame.....	9
Frame 651-11.....	11
Accessories.....	13
Zubehör 651-11.....	15
Zubehör SQ 17 Gallon.....	17

SQ 650-01  
SQ 650-11  
SQ 650-21  
SQ 651-11

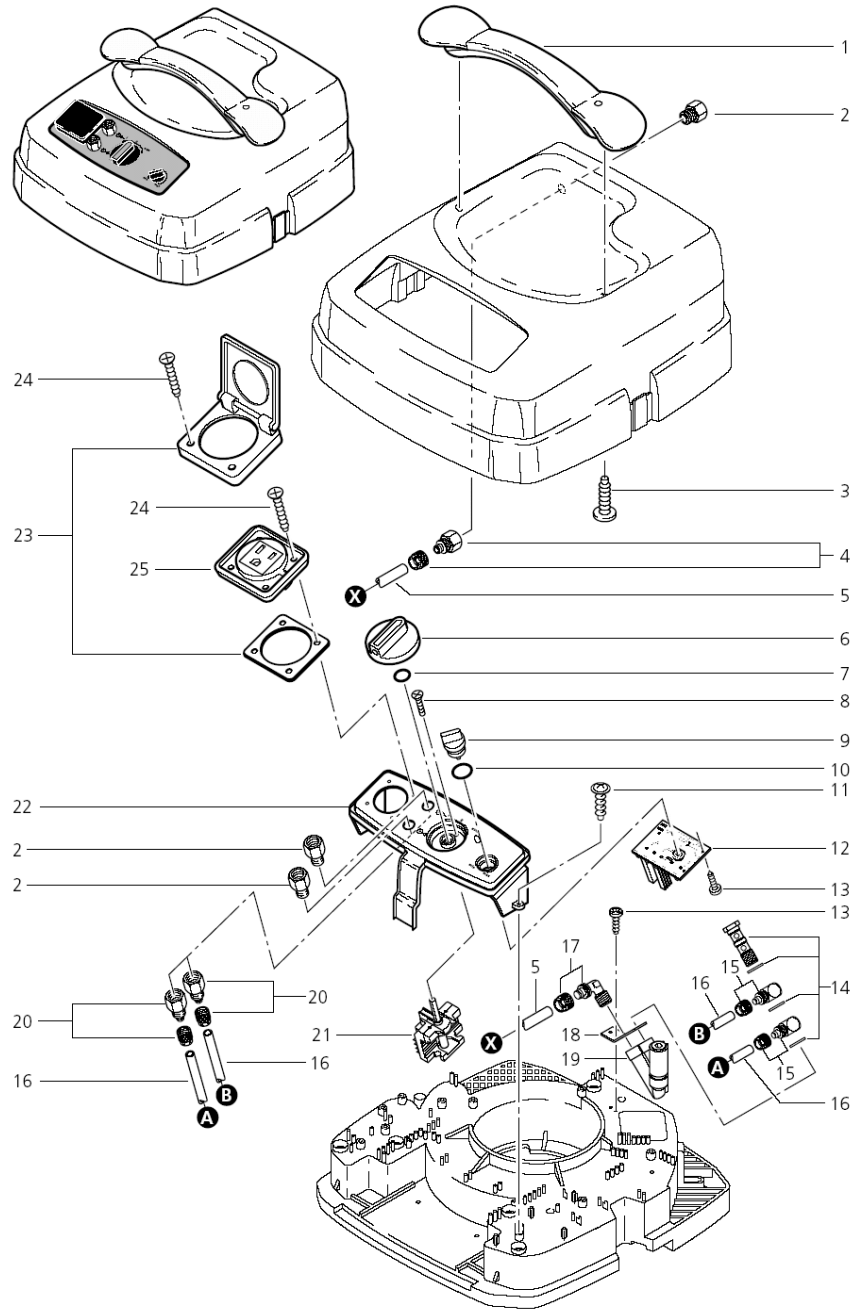


Pos.	Artikel-Nr.	Menge	Variante	Notes
01	26801	1	Handgriff	
02	10029	1	Schraube 5x25	
03	243611	1	Drehknopf	[1]
04	9868	1	O-Ring 10x2,5	
05	18274	1	Senkschraube M4x12	
06	11254	1	Ejotschraube KA35x10 WN1411 St/zn	
07	107402617	1	Schalter	[2]
07	48728	1	Schalter	[3]
08	48338	1	Entstörkondensator	[2]
09	65198	1	Schaltkasten	[4]
09	65197	1	Schaltk.SQ450/550-11/17Ga	[5]
09	65203	1	Schaltk.SQ450/550/650-01	[6]
10	107402628	1	Deckel	
11	48278	1	Steckdose GB	[7]
11	46296	1	Steckdose	[8]
11	48287	1	Stecker zu Anbausteckdose	[9]
12	46248	1	Schraube EJOT- KA35X18	[10]
13	107402842	1	OUTLET 2P AND PE 16A 110V	[11]
16	107401360	1	Leiterplatte	
17	4036	1	Blechschrabe 2,9x9,5	[3]
18	43694	1	Drehgriff	[12]
19	107400576	1	O-Ring 21x1.5	

## Part Notes:

- [1] - VERSION 050799
- [2] - SQ 650-01, SQ 650-11, SQ 651-11
- [3] - SQ 650-21
- [4] - SQ 650-21, VERSION 050799  
GUARANTEE DATE EXPIRED
- [5] - SQ 650-11, SQ 651-11, VERSION 050799  
GUARANTEE DATE EXPIRED
- [6] - SQ 650-01, VERSION 050799  
GUARANTEE DATE EXPIRED
- [7] - \*GB,230 V\*
- [8] - \*EU\*
- [9] - STOCK COVERS GUARANTEE
- [10] - GUARANTEE DATE EXPIRED
- [11] - SQ 650-11\*GB,110V\*
- [12] - SQ 650-21  
GUARANTEE DATE EXPIRED

SQ17Gallon  
ASPEZ

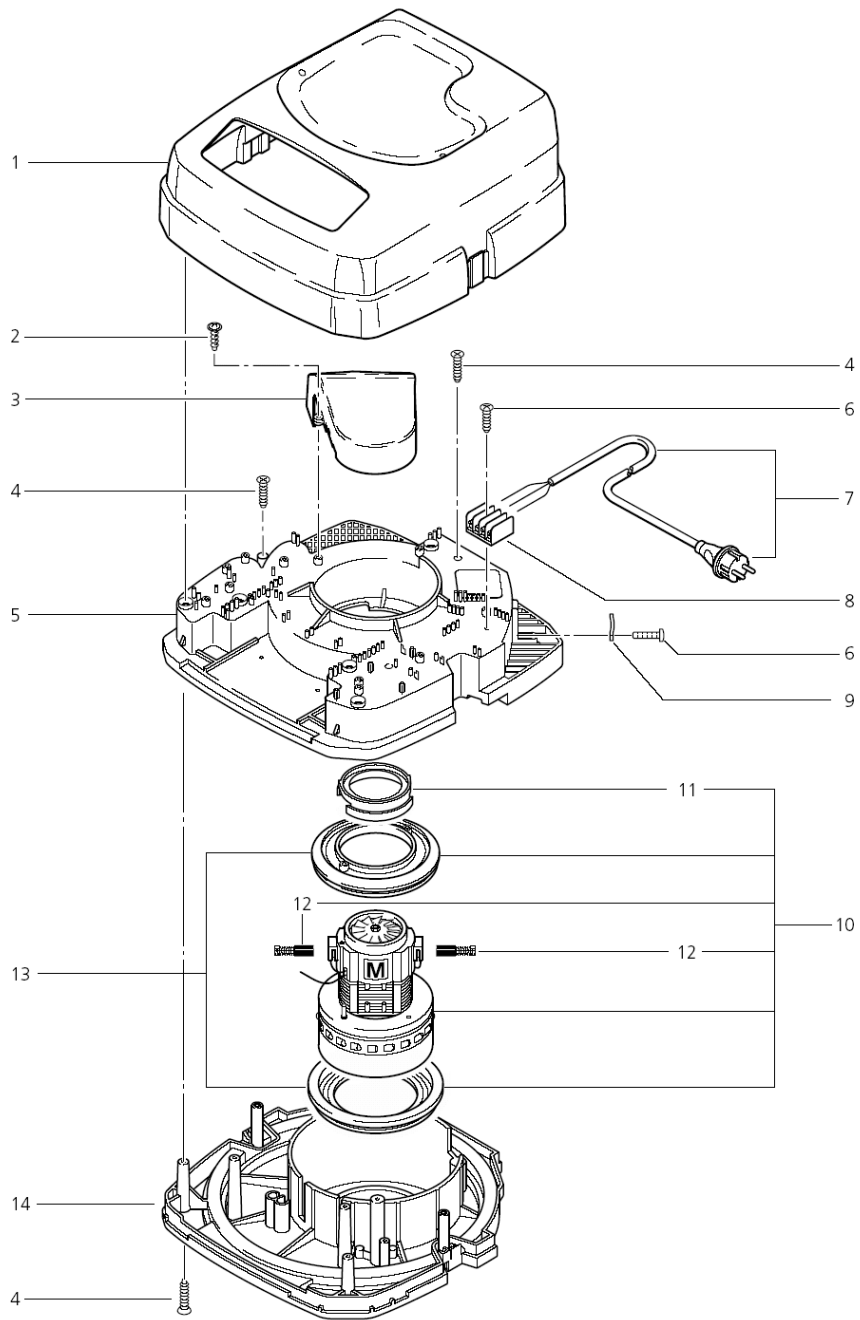


Pos.	Artikel-Nr.	Menge	Variante	Notes
01	26801	1	Handgriff	
02	25437	1	Muffennippel G1/4-R1/4	
03	10029	1	Schraube 5x25	
04	25434	1	FITTING	[1]
05	25435	1	HOSE	[2]
06	243611	1	Drehknopf	
07	9868	1	O-Ring 10x2,5	
08	18274	1	Senkschraube M4x12	
09	43694	1	Drehgriff	[2]
10	107400576	1	O-Ring 21x1.5	
11	11254	1	Ejotschraube KA35x10 WN1411 St/zn	
12	25999	1	Einschaltautomatik 100-12	[2]
13	4036	1	Blehschraube 2,9x9,5	
14	25441	1	HOLLOW SCREW G1/4 SHORT INCL 3 ORINGS	[2]
15	25440	1	SCREW IN CONNECTION 8/6-1/4 CUZN	[2]
16	25439	1	Schlauch ø8x1,0 MeWa transparent PA	[3]
17	25436	1	ANGULAR SCREW CONNECTION 10/8-1/4K MS	[2]
18	61272	1		
19	107402622	1	Durchflussregelung Set	
20	25438	1	STRAIGHT SCREW CONNECTION 8/6-1/4 MS	[2]
21	48728	1	Schalter	
22	60449	1	Schaltkasten	[4]
22	65199	1	Schaltk.SQ450/550-31/17Ga	[2]
22	60448	1	LABEL	[2]
23	107402628	1	Deckel	
24	46248	1	Schraube EJOT- KA35X18	[2]
25	49267	1	Steckdose USA/CDN	[2]

## Part Notes:

- [1] - Machine outphased 2005
- [2] - GUARANTEE DATE EXPIRED
- [3] - STOCK COVERS GUARANTEE
- [4] - VERSION 050799  
GUARANTEE DATE EXPIRED

SQ650-01  
SQ650-11  
SQ650-21  
SQ651-11  
SQ 17 Gallon  
ASPE2



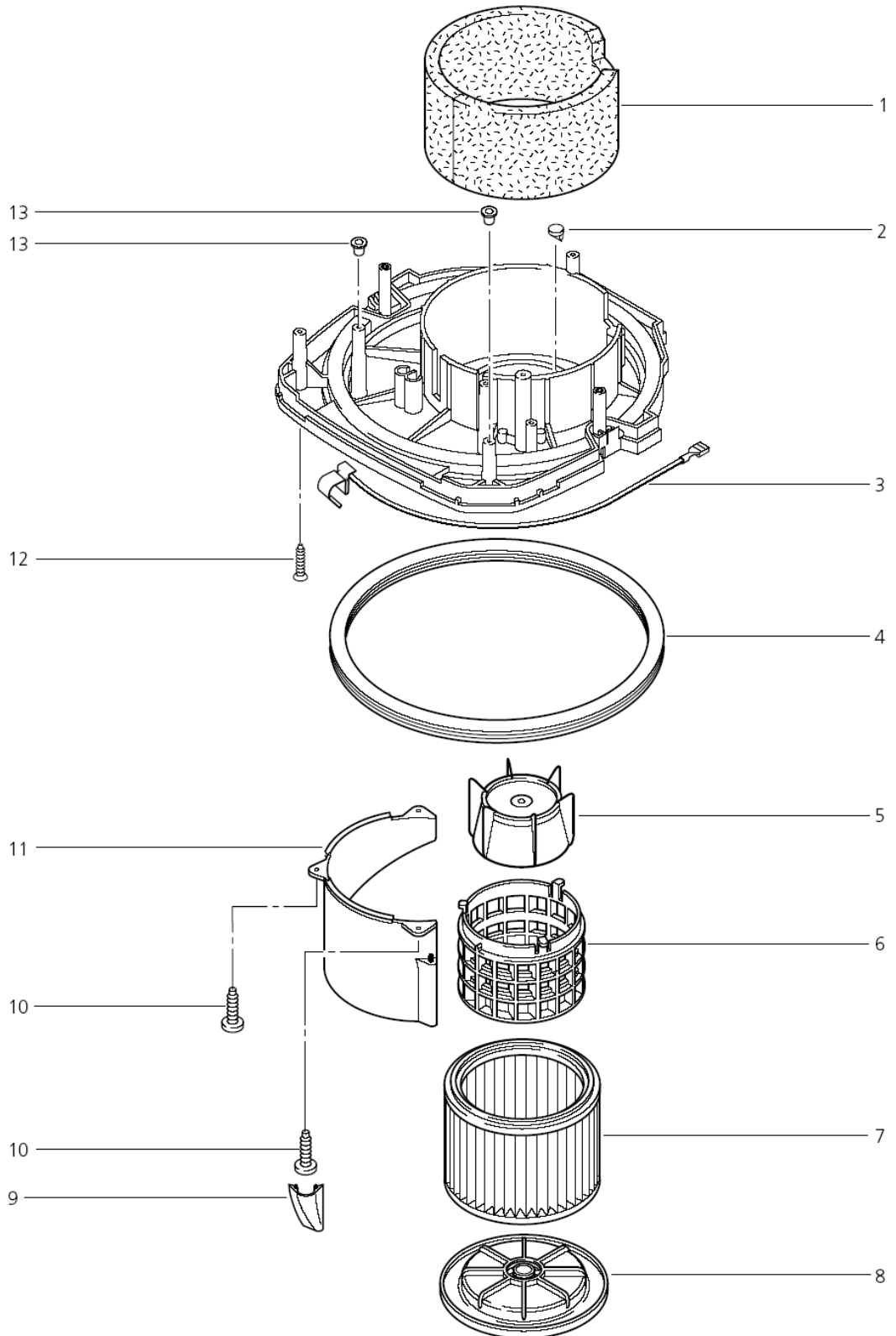


Pos.	Artikel-Nr.	Menge	Variante	Notes
01	26803	1	Haube SQ 450 ABS	[1]
02	24738	1	Schraube 3.5 x 8	
03	25700	1	Luftkanal	[2]
04	11253	1	SCREW 5X20 WN1413	
05	44240	1	Deckel	[2]
06	11256	1	EP-Schraube KA35x18 St/zn	
07	14885	1	Anschlussleitung	[3]
07	62016	1	LTG Netz NGMH11Yoe 3G2,5	[4]
07	60285	1	Anschlussleitung	[5]
07	60442	1	LTG Netz H07RN-F 3G1,0x 7	[6]
07	107400270	1	Anschlussleitung H05RR-F 3G1,5 BS1 363 G	[7]
07	62502	1	LTG NETZ SJTW 2XAWG16X6,7 NEMA 1-15	[8]
08	48421	1	Klemmleiste	[1]
09	5697	1	Kabelschelle	
10	49594	1	Elektromotor 230/240 V	[9]
10	26783	1	Elektromotor 100 V/50, 60 Hz	[10]
10	26785	1	Elektromotor 120 V/50, 60 Hz	[11]
11	47036	1	Gummiring	
11	47035	1	Manschette	[12]
12	26775	1	CARBON BRUSH SET L	
12	49625	1	Kohlebürsten-Satz C	[13]
12	26774	1	Satz Kohlebürsten	
13	28875	1	Satz Gummiringe	[14]
13	42538	1	Satz Gummiringe	[15]
14	44239	1	Motorgehäuse	[2]

Part Notes:

- [1] - STOCK COVERS GUARANTEE
- [2] - GUARANTEE DATE EXPIRED
- [3] - \*EU\*
- [4] - SQ 650-11\*GB,110V\*  
GUARANTEE DATE EXPIRED
- [5] - SQ 17 GALLON AS/PE2\*US\*  
GUARANTEE DATE EXPIRED
- [6] - \*CH\*  
GUARANTEE DATE EXPIRED
- [7] - \*GB,230V\*
- [8] - \*JP\*
- [9] - 230V / 1200W 220 - 240 V, 1200 W  
PLEASE CONTACT CARWASH DIRECTLY
- [10] - 100V 1200W
- [11] - 120V 1000W
- [12] - SQ 17 GALLON AS/PE2
- [13] - PLEASE CONTACT CARWASH DIRECTLY
- [14] - M & L
- [15] - C

SQ650-01  
SQ650-11  
SQ650-21  
SQ651-11  
SQ 17 Gallon  
AS/PE2



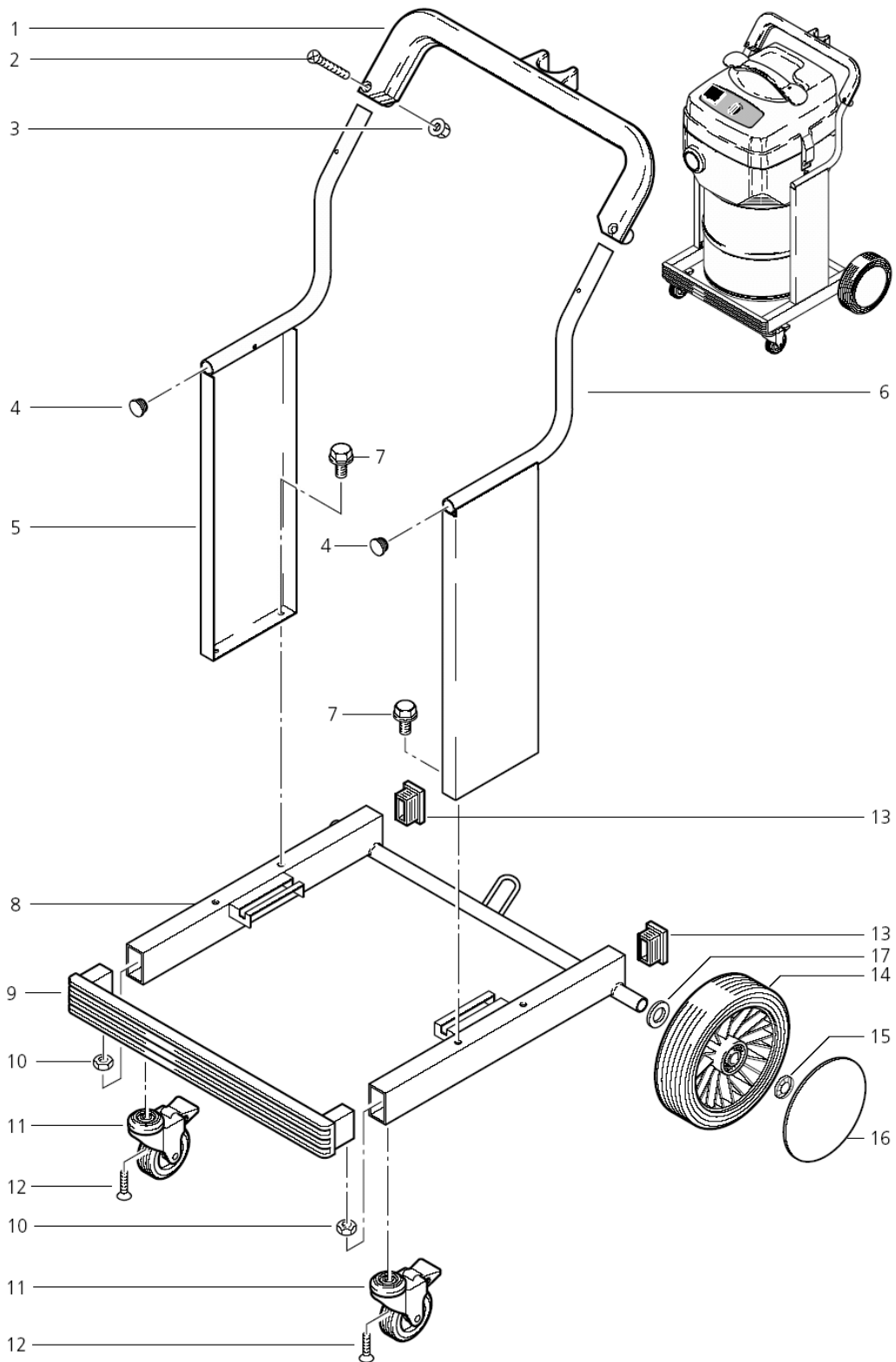
Pos.	Artikel-Nr.	Menge	Variante	Notes
01	47014	1	Dämmeinlage	[1]
02	46640	1	Klemmstück	[2]
03	26792	1	Ableiter	[2]
04	11222	1	Dichtring	
05	11835	1	Schwimmer	[2]
06	46418	1	Filterkorb	[2]
07	11753	1	Filterelement Ø 185x140 mm, Papier	
07	29747	1	Filterelement Ø 185x115 mm, PU/PET	[3]
08	11762	1	Filterdeckel	
08	29753	1	Filterdeckel	[4]
09	47025	1	Abdeckung	[2]
10	11565	1	Ejotschraube KB50x18 WN1411 A2	
11	45692	1	Abweiser	[1]
12	11253	1	SCREW 5X20 WN1413	
13	48414	1	Stopfen D5,5XD8X0,8x6,5 r	[1]

## Part Notes:

- [1] - STOCK COVERS GUARANTEE
- [2] - GUARANTEE DATE EXPIRED
- [3] - SQ 650-01, SQ 17 GALLON AS/PE2
- [4] - SQ 650-01, SQ 17 GALLON AS/PE2  
STOCK COVERS GUARANTEE

SQ650-01  
SQ650-11  
SQ650-21

SQ17Gallon  
ASPEZ

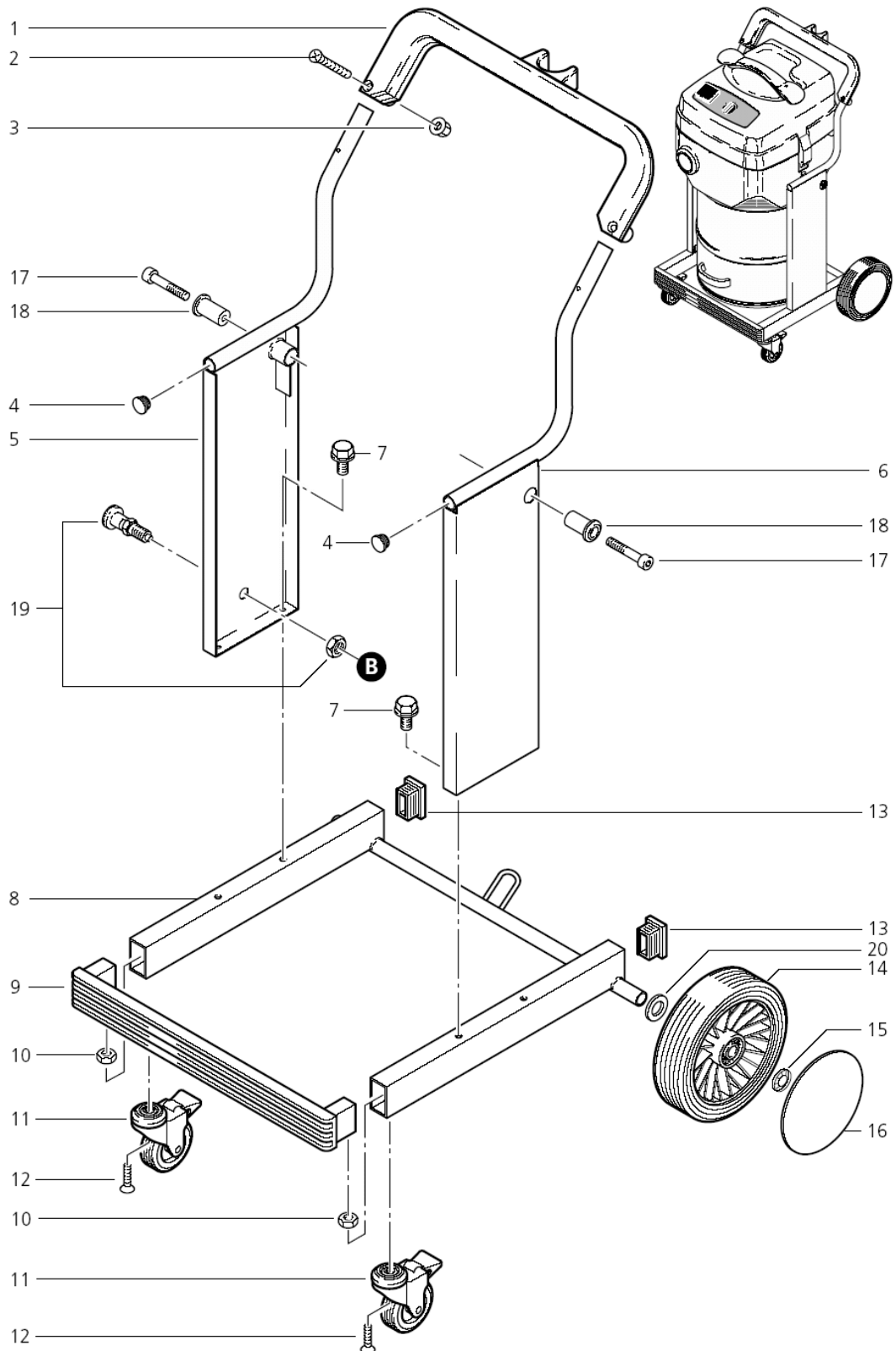


Pos.	Artikel-Nr.	Menge	Variante	Notes
01	46134	1	Schubbuegel SQ6 RAL9005	
02	17737	1	Senkschraube M6x40	
03	12496	1	Sechskantmutter M6	
04	60767	1	Lamellenstopfen	[1]
05	65267	1	Blende SQ650 rechts	[1]
05	60746	1	BLIND SQ650 RIGHT PRINTING MELON YELLOW	[2]
06	65266	1	Blende SQ650 links blau	[3]
07	60771	1	Zylinderschraube mit	[4]
08	60741	1	Grundrahmen	[1]
09	46301	1	Blende SQ 600/ SR 300 47	
11	11474	1	Lenkrolle	
12	30738	1	Schraube M8x30 ISO 10642	[1]
13	7895	1	KUNSTSTOFFKAPPE 50X30	[1]
14	48647	1	Rad	[4]
15	47302	1	Sich. Ring ¥ 28.6/ ¥20x	
16	65213	1	Radkappe 133 blau Col.10	[3]

## Part Notes:

- [1] - GUARANTEE DATE EXPIRED
- [2] - VERSION 050799  
outphased
- [3] - VERSION 050799  
GUARANTEE DATE EXPIRED
- [4] - STOCK COVERS GUARANTEE

SQ651-11

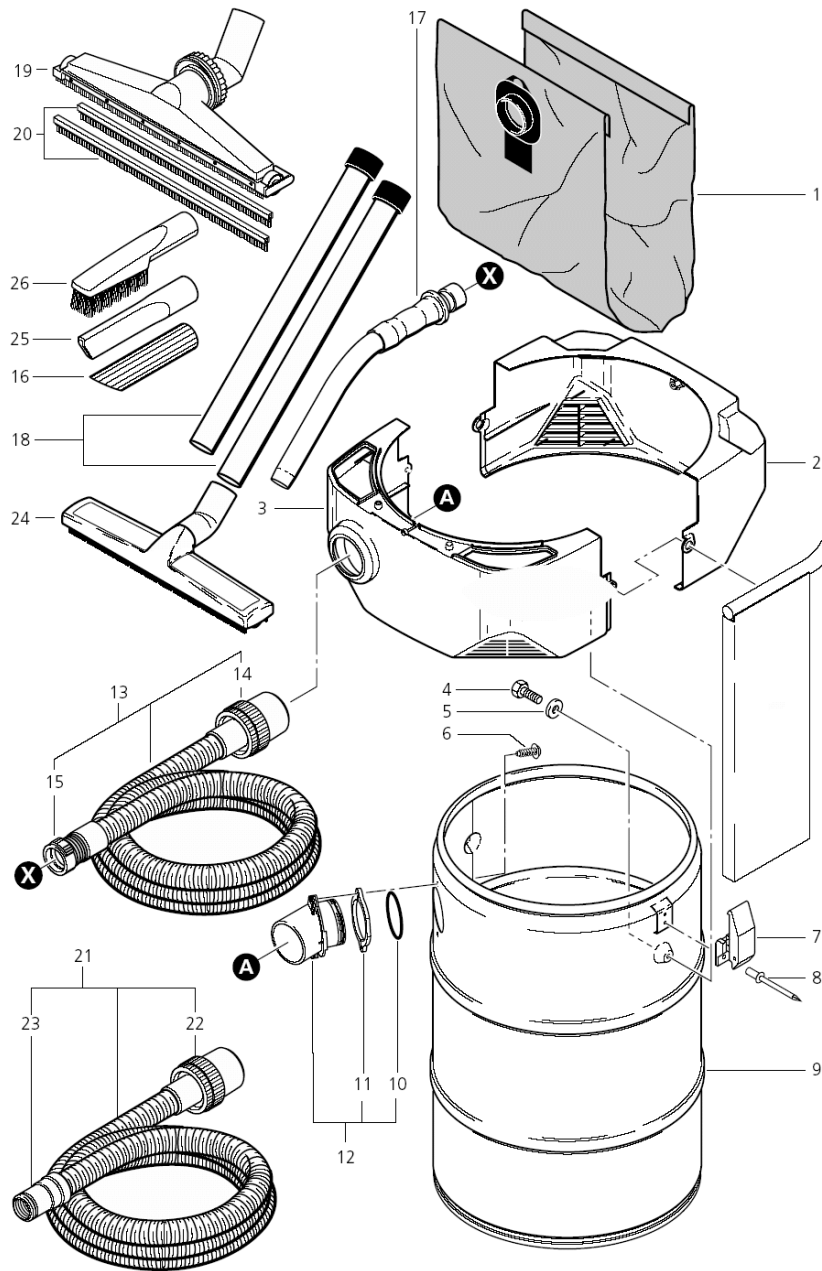


Pos.	Artikel-Nr.	Menge	Variante	Notes
01	46134	1	Schubbuegel SQ6 RAL9005	
02	17737	1	Senkschraube M6x40	
03	12496	1	Sechskantmutter M6	
04	60767	1	Lamellenstopfen	[1]
05	65224	1	COVER SQ651 RIGHT -WAP TE	[2]
05	65266	1	Blende SQ650 links blau	[3]
06	65212	1	COVER SQ651 LEFTWap Techn."	
06	65267	1	Blende SQ650 rechts	[3]
07	60771	1	Zylinderschraube mit	[4]
08	302000208	1	BASE FRAME	[1]
09	46301	1	Blende SQ 600/ SR 300 47	
11	11474	1	Lenkrolle	
12	30738	1	Schraube M8x30 ISO 10642	[1]
13	7895	1	KUNSTSTOFFKAPPE 50X30	[1]
14	48647	1	Rad	[4]
15	47302	1	Sich. Ring ¥ 28.6/ ¥20x	
16	65213	1	Radkappe 133 blau Col.10	[3]
18	60766	1	Lagerbuchse 21,8x 44	[1]
19	60836	1	Rastbolzen	[1]

## Part Notes:

- [1] - GUARANTEE DATE EXPIRED
- [2] - CLOSED BY VENDOR
- [3] - VERSION 050799  
GUARANTEE DATE EXPIRED
- [4] - STOCK COVERS GUARANTEE

SQ650-01  
 SQ650-11  
 SQ650-21



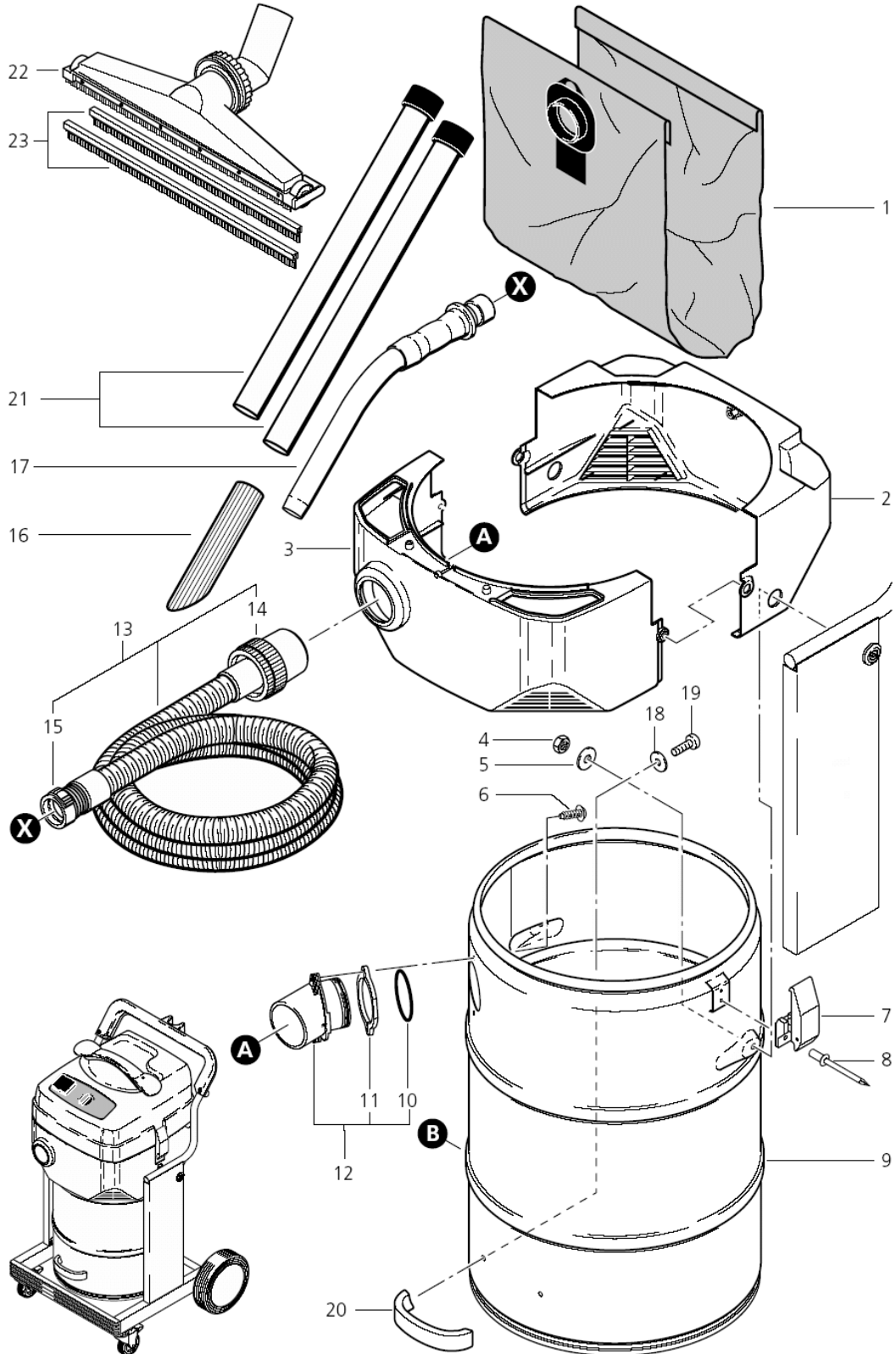


Pos.	Artikel-Nr.	Menge	Variante	Notes
01	47429	1	Filtersack SQ6	[1]
02	60737	1	Gürtel SQ 6 hinten	[2]
03	60738	1	Gürtel SQ 6	[2]
06	11565	1	Ejotschraube KB50x18 WN1411 A2	
07	19880	1	Klammer	
08	11691	1	Niet 4x10x8	
09	60739	1	CONTAINMENT SHELL	[2]
10	29191	1	Dichtring	[2]
11	46223	1	Ring D64xD78x5	[2]
12	60059	1	Fitting 50	[3]
13	25537	1	Saugschlauch Ø 36 mmx4 m	[4]
13	46948	1	Saugschlauch, Ø 36 mmx3 m	[5]
14	15102	1	Muffe Ø 36x50 mm	[6]
15	46690	1	Quicksystem-Muffe, Ø 36 mm, antistatisch	[6]
16	5067	1	Schrägrohrdüse Ø36mm	
17	46691	1	Handrohr gebog., Ø 36 mm, Edelstahl	
18	107408074	1	Verlängerungsrohr Edels. Ø36x505mm, VPE2	
19	5149	1	Spezial-Bodendüse Ø 36x400 mm	
20	6114	1	Sauglippen-Set	
21	107406091	1	Saugschlauch D27x3500 mit Werkzeugadapte	[7]
22	15369	1	Muffe Ø 27x50 mm, antistatisch	[7]
23	107404520	1	Werkzeugadapter, Ø 27 mm/36-24 mm	[7]
24	60356	1	Profi-Bodendüse, Ø 36x360 mm	
25	6084	1	Fugendüse Ø 36x300 mm	
26	6086	1	Bürstendüse Ø 36x230 mm, PP/PA	

## Part Notes:

- [1] - VERSION 050799
- [2] - GUARANTEE DATE EXPIRED
- [3] - VERSION 050799  
GUARANTEE DATE EXPIRED
- [4] - SQ 650-11
- [5] - SQ 650-01
- [6] - SQ 650-01, SQ 650-11
- [7] - SQ 650-21

SQ651-11

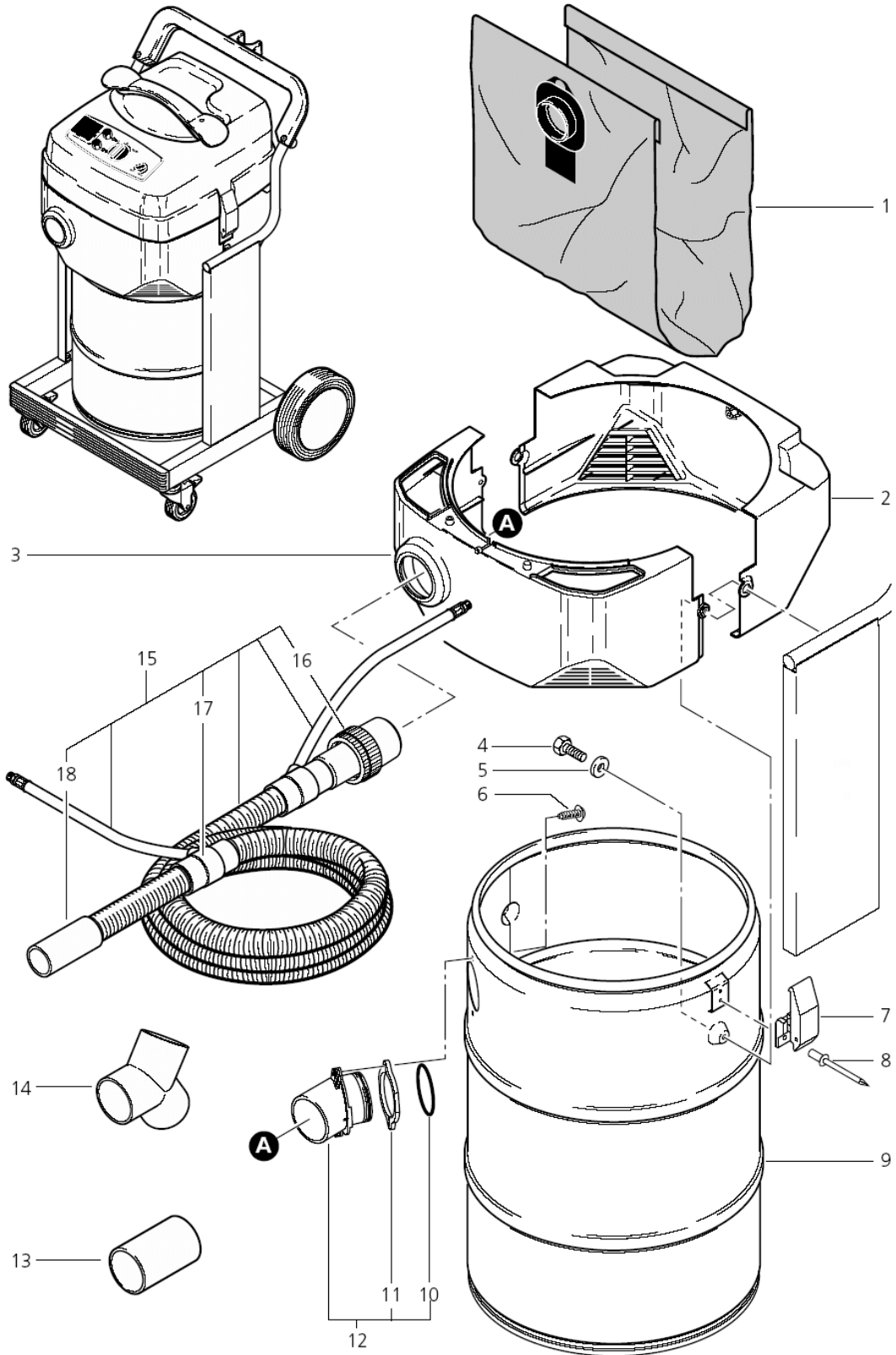


Pos.	Artikel-Nr.	Menge	Variante	Notes
01	47429	1	Filtersack SQ6	[1]
02	60737	1	Gürtel SQ 6 hinten	[2]
03	60738	1	Gürtel SQ 6	[2]
06	11565	1	Ejotschraube KB50x18 WN1411 A2	
07	19880	1	Klammer	
08	11691	1	Niet 4x10x8	
09	60740	1	CONTAINER	[2]
10	29191	1	Dichtring	[2]
11	46223	1	Ring D64xD78x5	[2]
12	60059	1	Fitting 50	[3]
13	25537	1	Saugschlauch Ø 36 mmx4 m	
14	15102	1	Muffe Ø 36x50 mm	
15	46690	1	Quicksystem-Muffe, Ø 36 mm, antistatisch	
16	5067	1	Schrägrohrdüse Ø36mm	
17	46691	1	Handrohr gebog., Ø 36 mm, Edelstahl	
18	14805	1	Scheibe 6,4x1,6x18 A ISO 7093-1 VA	
19	14664	1	SHR Li- M6 x12 H7985 A2	
20	14663	1	Buegelgriff M6 Turbo-	
21	107408074	1	Verlängerungsrohr Edels. Ø36x505mm, VPE2	
22	5149	1	Spezial-Bodendüse Ø 36x400 mm	
23	6114	1	Sauglippen-Set	

## Part Notes:

- [1] - VERSION 050799
- [2] - GUARANTEE DATE EXPIRED
- [3] - VERSION 050799  
GUARANTEE DATE EXPIRED

SQ 17 Gallon  
AS/PE2



Pos.	Artikel-Nr.	Menge	Variante	Notes
01	47429	1	Filtersack SQ6	[1]
02	60737	1	Gürtel SQ 6 hinten	[2]
03	60738	1	Gürtel SQ 6	[2]
06	11565	1	Ejotschraube KB50x18 WN1411 A2	
07	19880	1	Klammer	
08	11691	1	Niet 4x10x8	
09	60739	1	CONTAINMENT SHELL	[2]
10	29191	1	Dichtring	[2]
11	46223	1	Ring D64xD78x5	[2]
12	60059	1	Fitting 50	[3]
13	15953	1	Direktanschluss Ø 50, antistatisch	
14	15331	1	Y-Stück Ø 50 mm	
15	26601	1	Schlauch-Garnitur D32	[4]
16	30928	1	Muffe Schlauch, Ø 32 mm, antistatisch	
17	26309	1	Muffe m.Abzweig 32	[5]
18	26309	1	Muffe m.Abzweig 32	[5]

## Part Notes:

- [1] - VERSION 050799
- [2] - GUARANTEE DATE EXPIRED
- [3] - VERSION 050799  
GUARANTEE DATE EXPIRED
- [4] - PRUNED - NO REPLACEMENT
- [5] - STOCK COVERS GUARANTEE

