

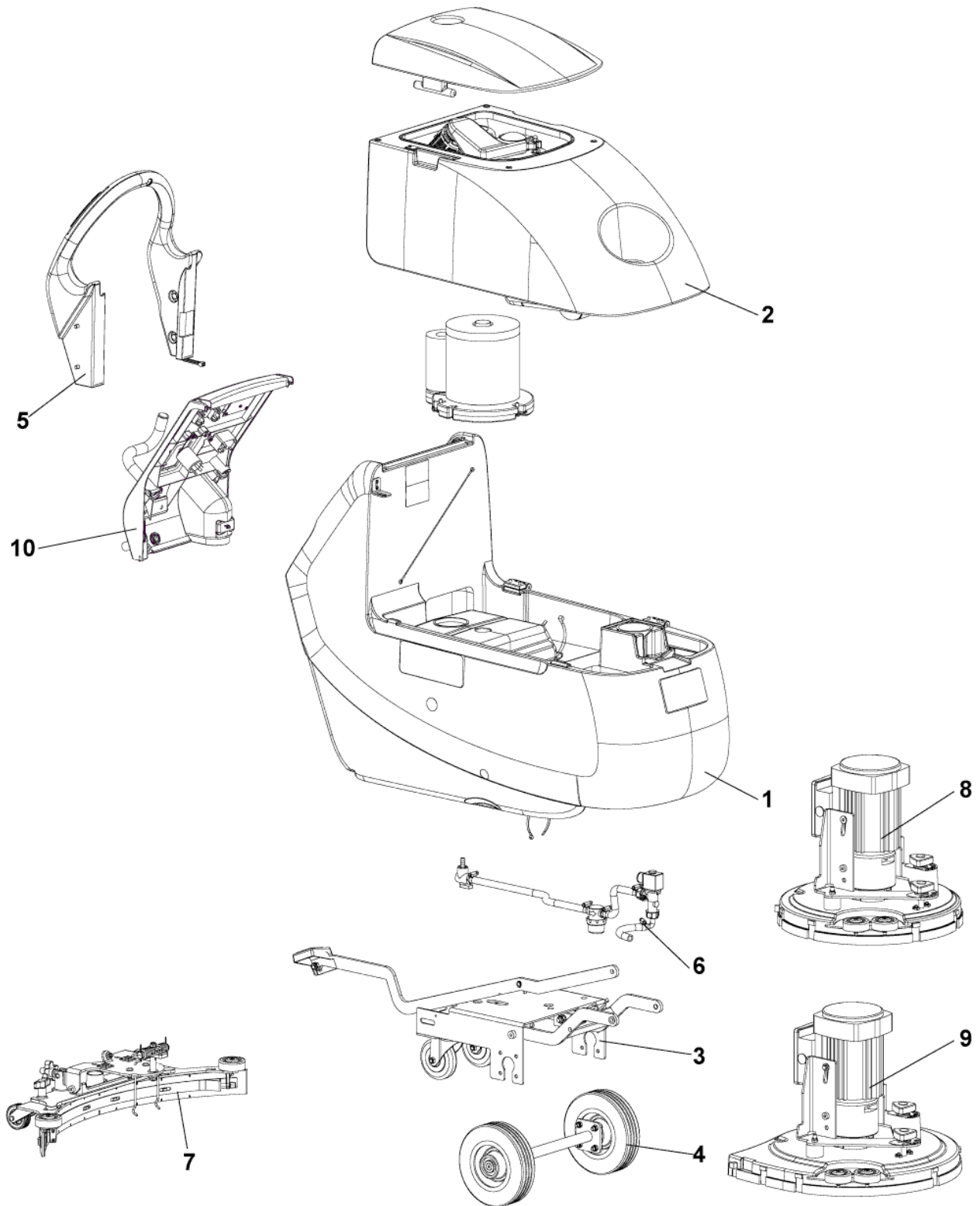
PARTS LIST



2021.04.29

TABLE OF CONTENTS

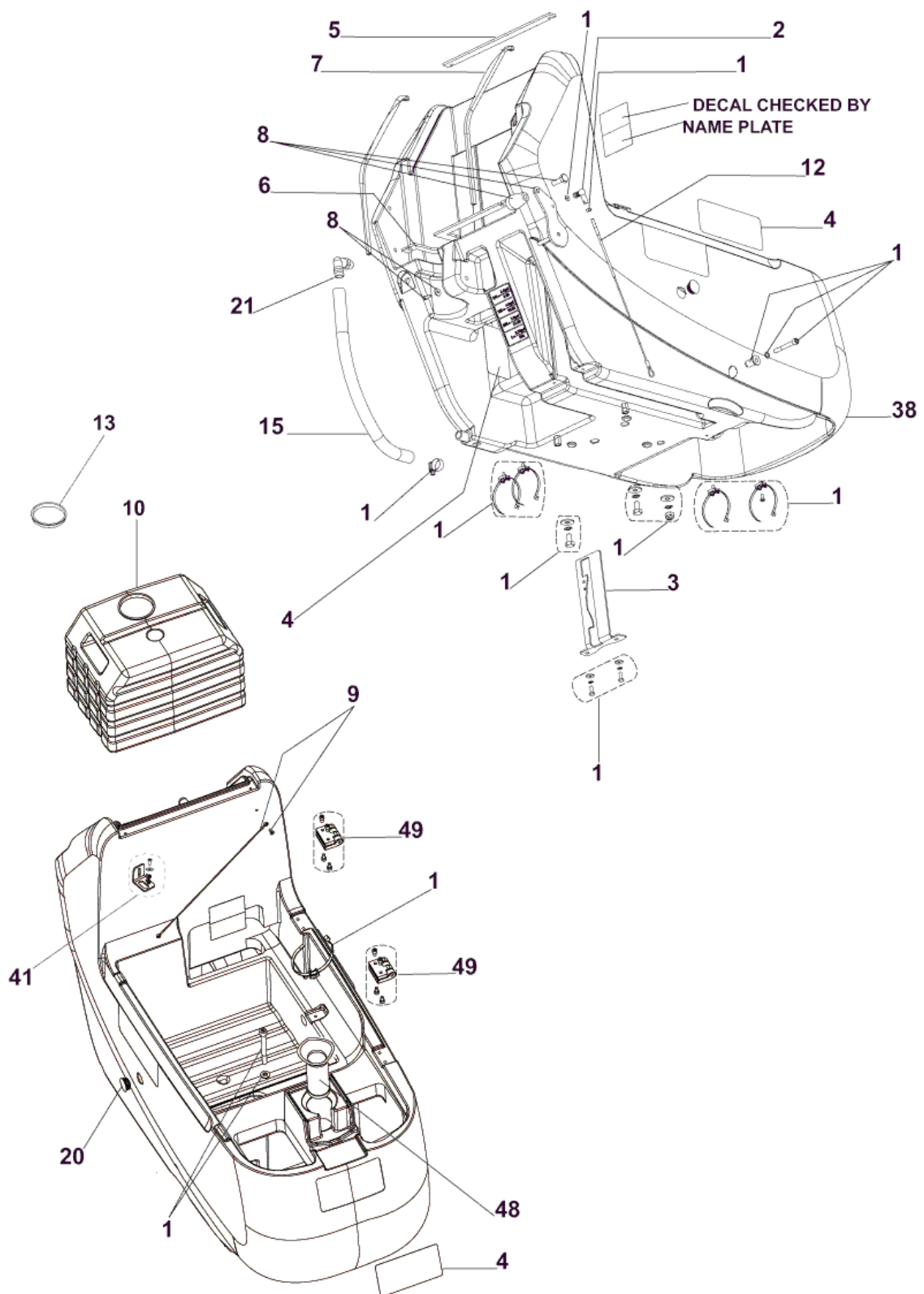
General view	1
Solution tank	3
Recovery tank	5
Chassis tank	7
Wheel system - Handle assembly	9
Solution system	11
Brush system	13
Accessories	15
Control panel system 545E-553E	17
Recommended spare parts 545E-553E	19



Pos.	Artikel-Nr.	Menge	Variante	Notes
1		1	Solution tank	[1]
2		1	Recovery tank	[2]
3		1	Chassis sytem	[3]
7		1	Wheels system	[4]
8		1	Handle assembly	[5]
9		1	Solution sytem	[6]
7		1	Squeegee sytem	[7]
8		1	Brush system 545 E	[8]
9		1	Brush system 553 E	[9]
10		1	Control panel system	[10]

Part Notes:

- [1] - Solution tankSolution system
- [2] - Recovery Tank
- [3] - Chassis System
- [4] - Wheels System
- [5] - Handle Assembly
- [6] - Solution System
- [7] - Squeegee System
- [8] - Brush System 545E
- [9] - Brush System 553E
- [10] - Control Panel System



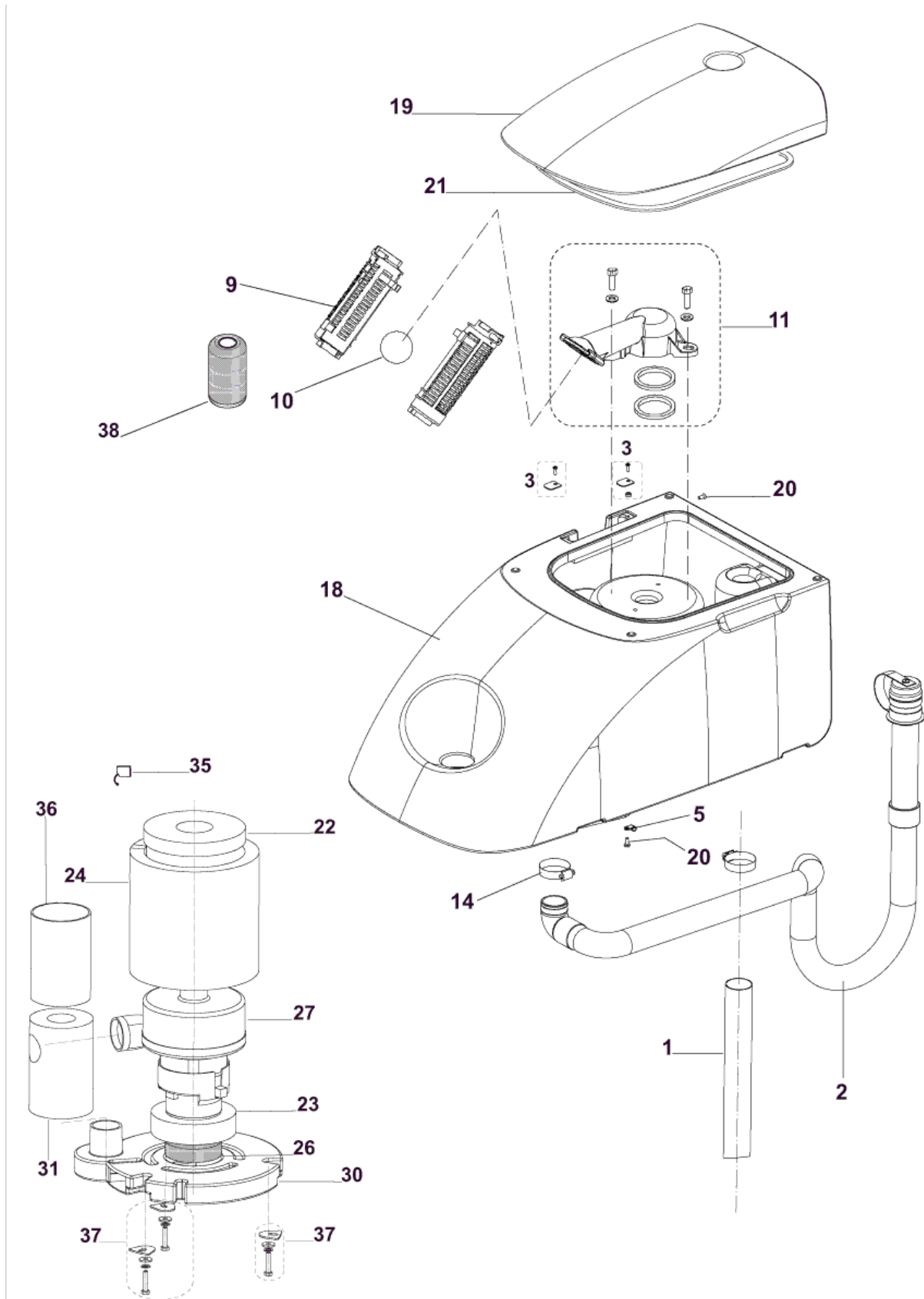
Resource notes:

POSITION 12 9098673000 INCLUDES POSITION 2

Pos.	Artikel-Nr.	Menge	Variante	Notes
0	9098033000	1	GASKET HANDLE BAR	[1]
1	9098265000	1	Befestigungskit	
3	909 6493 000	1	Stütze f. Pedal	
4	9100001520	1	DECALS SCRUBTEC 545/553 E KIT	[2]
5	909 6596 000	1	Dichtung	
6	909 6597 000	1	Dichtung	
7	909 6892 000	2	Dichtung L960	
8	9097630000	1	Hebel Saugfussanhebung zu BA 451	
9	909 6874 000	1	CABLE TANK KIT	
10	9099296000	1	WEIGHT CEMENT	
12	9098673000	1	Seilzug zu Hebe-vorrichtung BA 451	[3]
13	909 6658 000	1	PLUG PROTECTION PLASTIC	[4]
15	9097296000	1	Frischwasserschlauch	[2]
20	33023302	2	CAP BLACK SIP	
21	9100000771	1	FITTING 90. M 3/8-18 NPT HOSE D.19 PKD	
38	9097015000	1	TANK SOLUTION 35 LT BLUE	[2]
41	9098338000	1	BRACKET TANK FIXING KIT	
48	9097192000	1	Wasserfilter	
49	9098329000	1	Schanier Kit	

Part Notes:

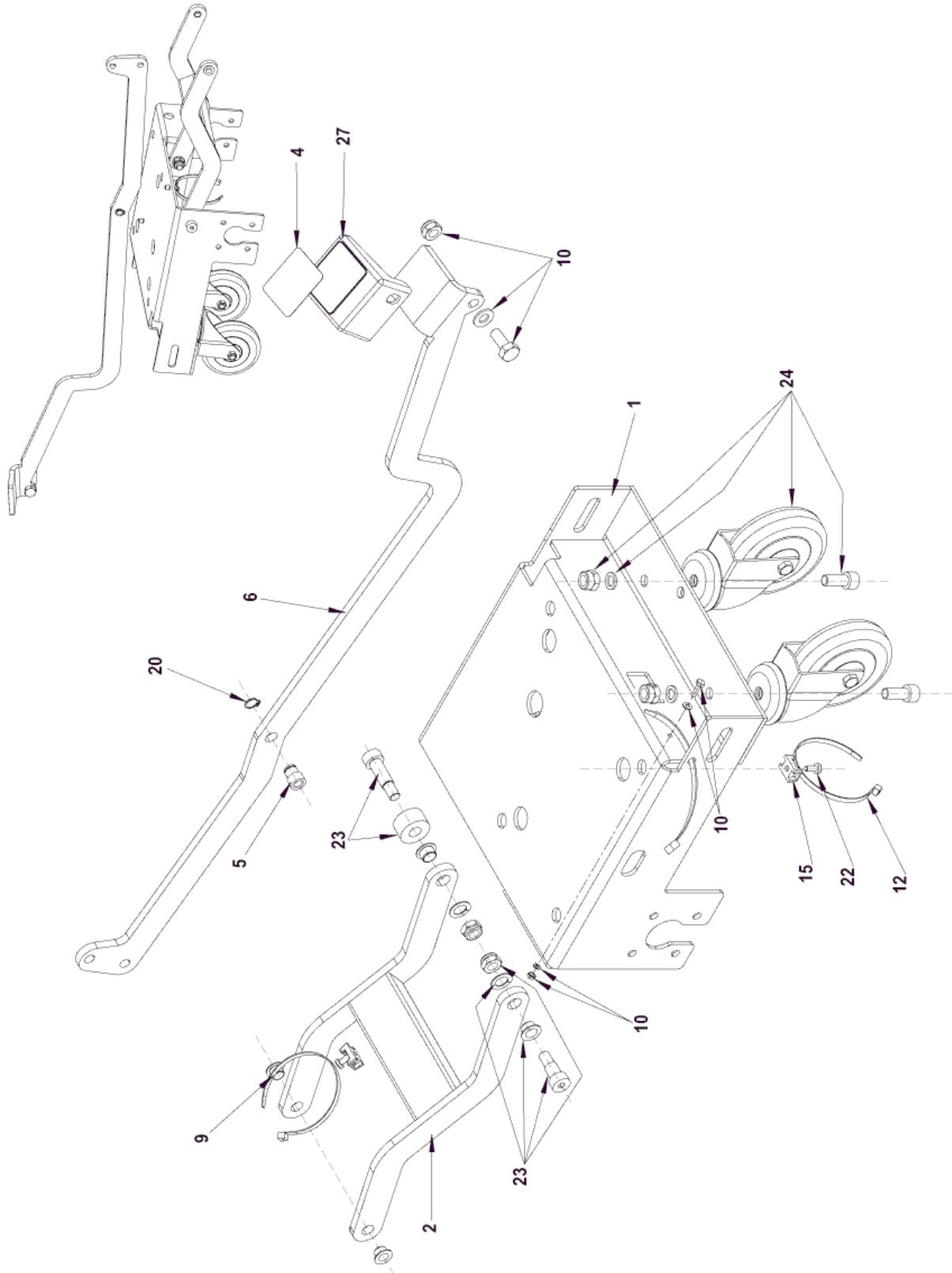
- [1] - STOCK COVERS GUARANTEE NOT SHOWN
- [2] - STOCK COVERS GUARANTEE
- [3] - SEE TSB IT 2010-053 - SEE INST. INTR. 9098672000
- [4] - GUARANTEE DATE EXPIRED



Pos.	Artikel-Nr.	Menge	Variante	Notes
0	909 6876 000	1	Befestigungskit	[1]
1	9099853000	1	Schlauch für Absaugleiste	
2	9100001892	1	Ablassschlauch L.1480MM 90 BLACK PKD	
3	9097654000	1	Tankdeckelkit	
5	L08239900	1	SCHELLE	
9	9100000818	1	CAGE FLOAT HALF 2 PCS SET	
10	9100000817	1	BALL FLOATING PKD	
11	9100001875	1	SUPPORT FLOAT KIT	[2]
14	9100001348	1	CLAMP 14/32-52 10 PCS SET	
18	9097016000	1	Schmutzwassertank	[3]
19	9097017000	1	Tankdeckel	
20	909 6337 000	2	Schraube M5 x 12	
21	909 6268 000	1	Dichtung	
22	9096918000	1	Dichtung f. Motor	
23	909 6490 000	1	Dichtung	
24	909 6491 000	1	Panel, schalldämpfend	
26	909 6672 000	1	Filter	
27	909 6803 000	1	Saugmotor 230V	
30	9100001246	1	COVER VACUUM MOTOR PKD	
31	909 6442 000	1	Geräuschdämmung f.	
35	909 5719 000	2	Kohlebürsten-Set	
36	909 6842 000	1	Hülse	
37	909 6877 000	1	Motor Befestigungskit	
38	909 5065 000	1	Filter antischäum	[4]

Part Notes:

- [1] - due to ODM/ECN 2810 should have been considered valid for all
Machine configurations which were using it ONLY Before Serial Number 081813772 (Beginning of May 2008).
GUARANTEE DATE EXPIRED
- [2] - SEE INST. INSTR. 9100001876
- [3] - STOCK COVERS GUARANTEE
- [4] - TSB IT 2008-002. Antifoaming filter

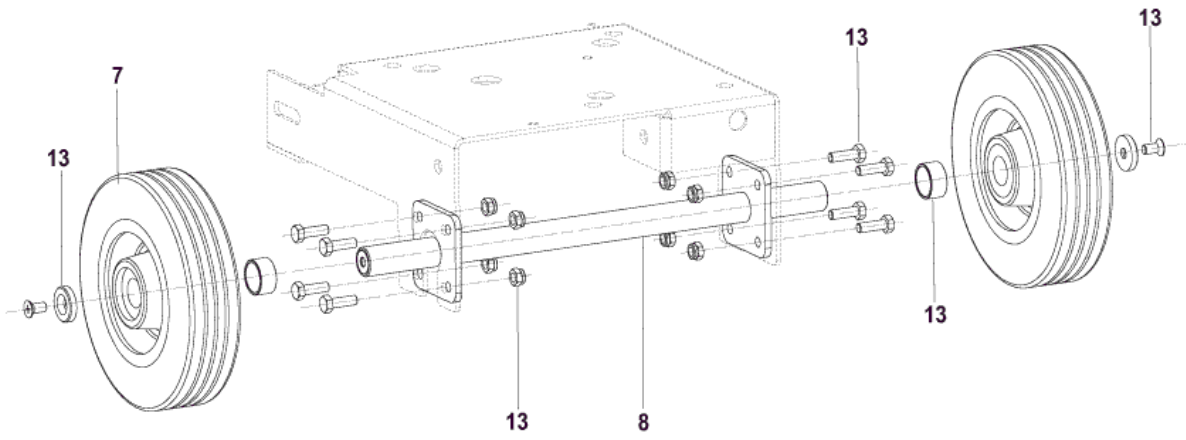


Pos.	Artikel-Nr.	Menge	Variante	Notes
1	909 6482 000	1	Chassis	[1]
2	909 6486 000	1	Hebel	
4	909 6539 000	1	Antirutsch-Belag	
5	909 6540 000	1	Buchse	
6	9100001783	1	PEDAL BRUSH LIFTING PKD	[2]
9	909 6594 000	2	Buchse	
10	9098339000	1	HARDWARE CHASSIS CABLE V.KIT	
12	1466344000	3	TIE CABLE 4.8X200 BLACK 10 PCS SET	
15	909 6595 000	1	Befestigungsset BR 611	
20	33006051	1	Ring D12	
22	909 6337 000	1	Schraube M5 x 12	
23	909 6878 000	1	Satz Befestigungsteile	
24	909 6880 000	1	Lenkrolle-Set	[3]
27	9096942000	1	COVER PEDAL	
28	52630A	1	SOCKETHOSE CONNECTING	[4]

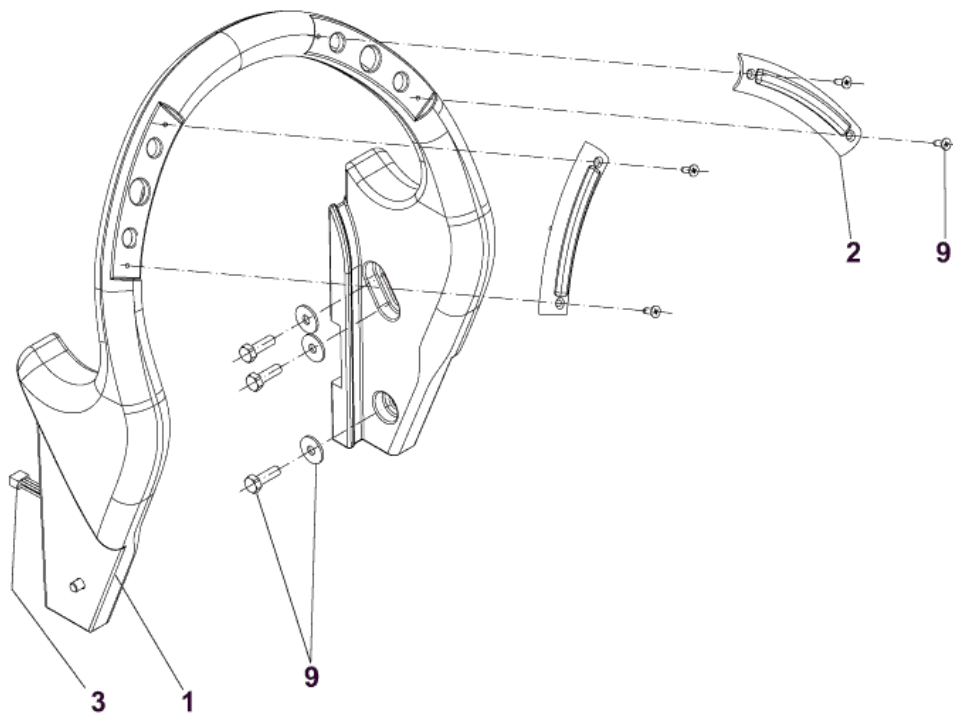
Part Notes:

- [1] - STOCK COVERS GUARANTEE
- [2] - NO LONGER AVAILABLE
- [3] - SEE TSB-FC-2015-020
- [4] - CLOSED SEE MI-SP-007

WHEELS SYSTEM



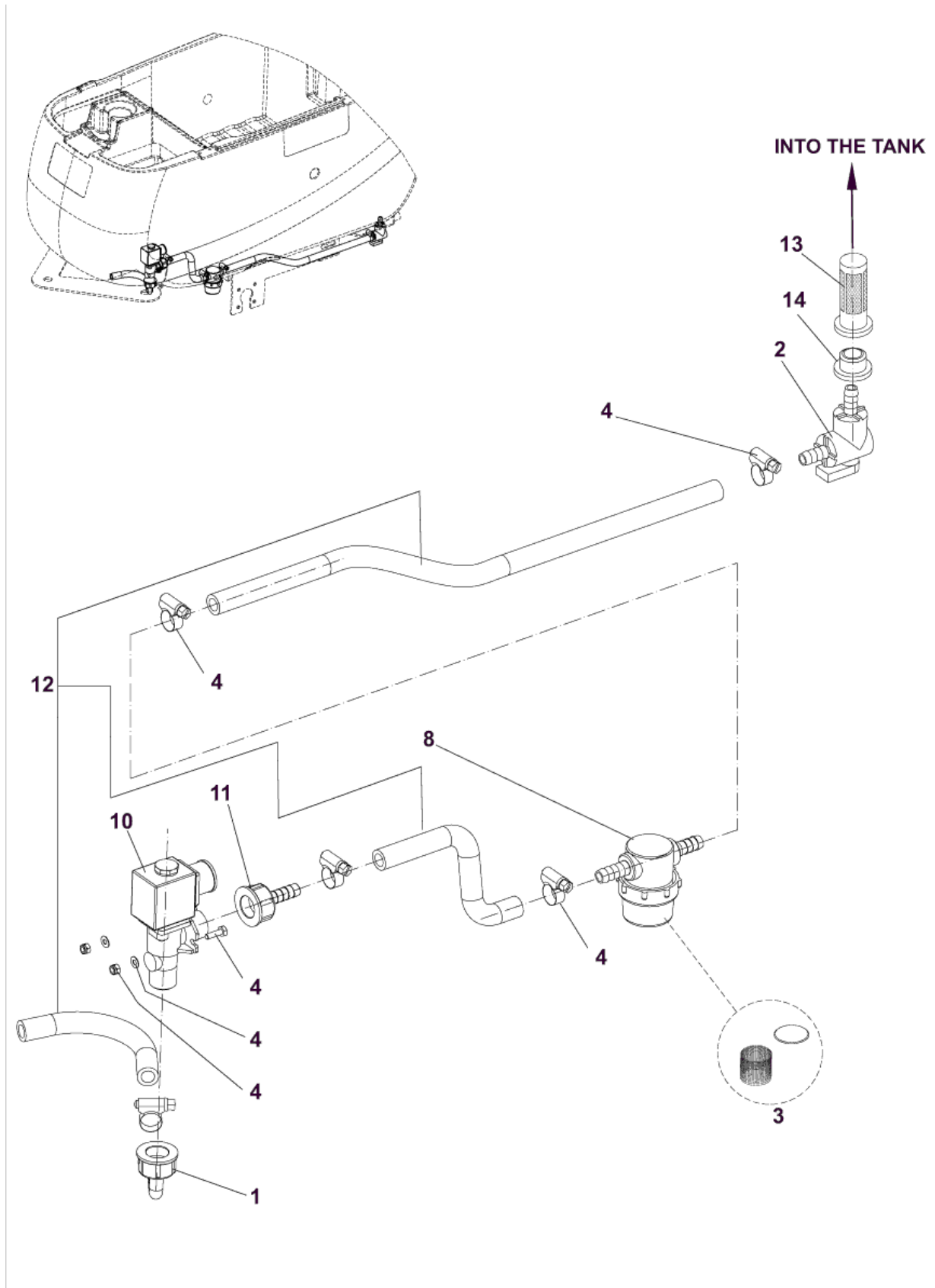
HANDLE ASSEMBLY



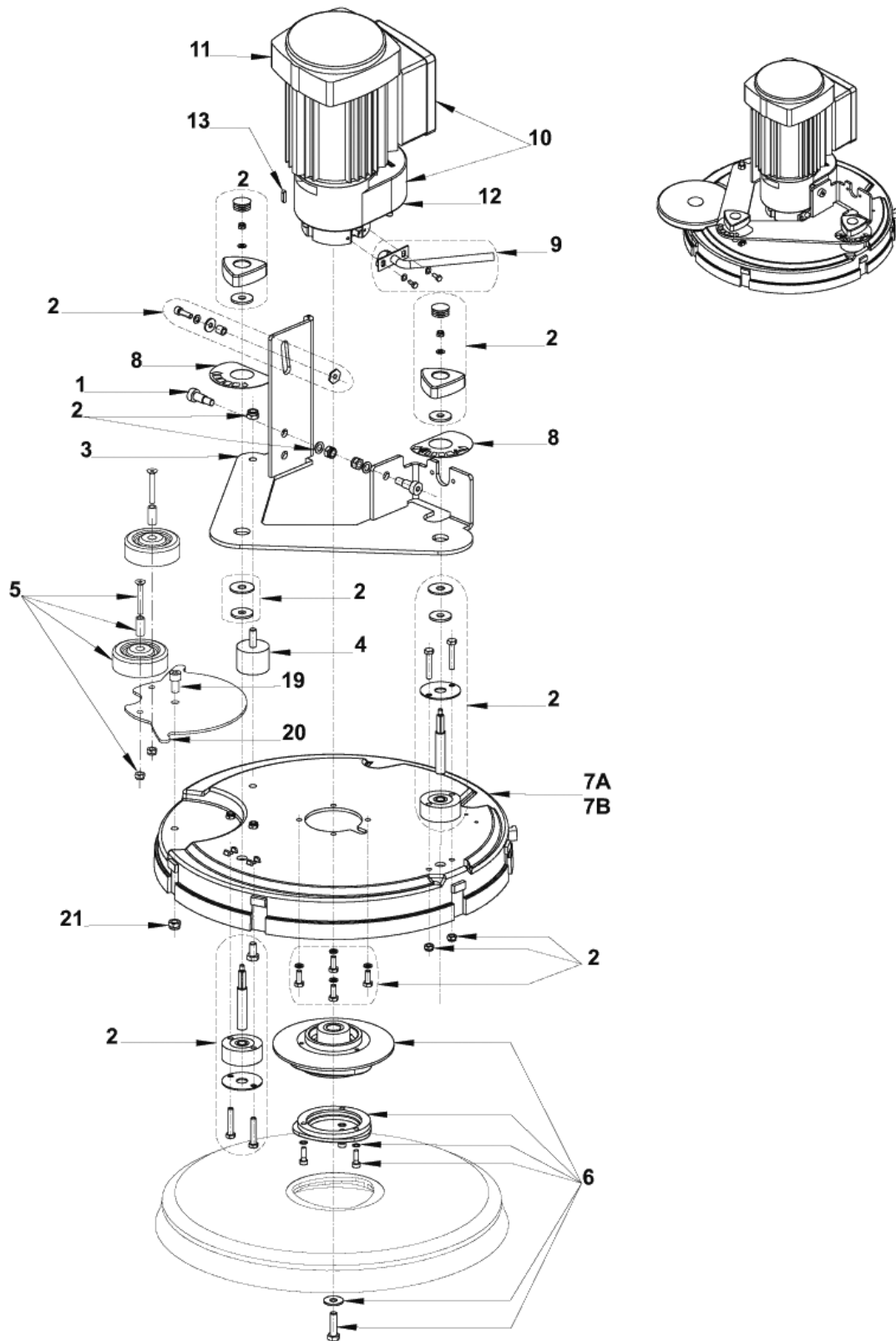
Pos.	Artikel-Nr.	Menge	Variante	Notes
1	9097021000	1	HANDLE BAR PLASTIC	[1]
2	9100000467	1	Schalter komplett gelb f	
3	9097036000	1	Kabelbaum, Lenker	
7	9099743000	1	Vorderrad D.200 Kit	[2]
8	9100002134	1	SHAFT WHEELS GALV. SIP	[1]
9	9098330000	1	Bediengriff-Set Maschine	
13	9098299000	1	Radbefestigungskit	

Part Notes:

- [1] - STOCK COVERS GUARANTEE
[2] - contains 2 wheels



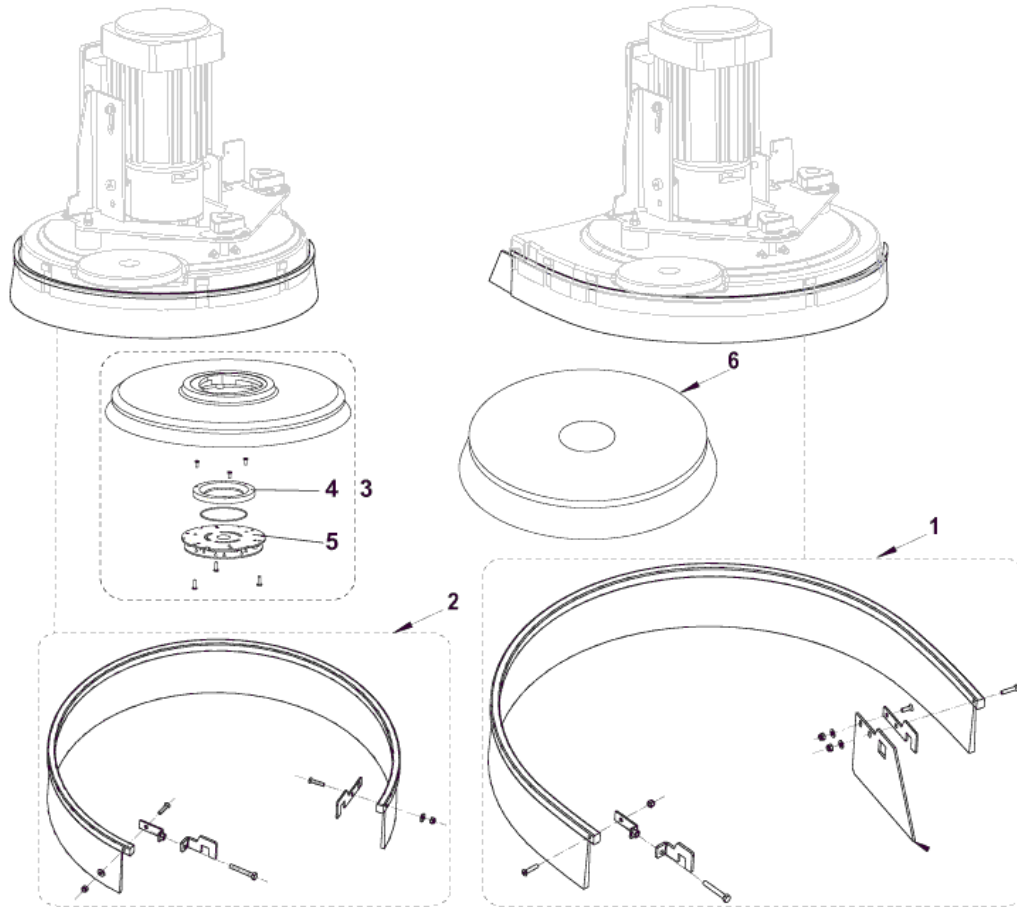
Pos.	Artikel-Nr.	Menge	Variante	Notes
1	9098777000	1	Schlauchwinkel 10/90	
2	9096994000	1	Wasserventil	
3	L08603893	1	Frischwasserfilter mit Dichtung zu BA 430	
4	9098301000	1	Hardware Solution System	
8	9097166000	1	Filter komplett Kit	
10	9098932000	1	Magnetventil 230V	
11	9100000106	1	HOLDER RUBBER 1/2 FEMALE KIT	
12	9097170000	1	Rohre Magnetventilsatz	
13	9100001353	1	FILTER SOLUTION TANK PKD	
14	909 5286 000	1	Dichtung BA 430S	



Pos.	Artikel-Nr.	Menge	Variante	Notes
0	909 5931 000	1	Kondensator 450V 30UF	[1]
0	909 5106 000	1	Kondensator 400V/65uF	[1]
1	9100001160	2	SCREW SHOUL 10X16 M8 ISO7379 10 PCS SET	
2	9099419000	1	Befestigungskit f.	
3	909 6485 000	1	Aufnahme	
4	9100000868	1	VIBRATION DAMPING M8 60SH 2 PCS SET	
5	909 6355 000	2	Abweisrollenkit BR 601	
6	9097093000	1	Polygonalhalter-Kit	
7A	9097079000	1	Bürstenabdeckung	[2]
7B	9097078000	1	Bürstenabdeckung schwarz	[3]
8	9100001520	1	DECALS SCRUBTEC 545/553 E KIT	[4]
9	9098340000	1	HOSE COPPER KIT	
10	9100001849	1	REDUCTION GEARMOTOR 1100W 230V KIT	
11	9100001847	1	MOTOR ELECTRIC 1100W 230V PKD	
12	9100001846	1	REDUCTION GEAR PKD	
13	1466147000	1	KEY 5X5X20 UNI6604A PKD	
19	32400530	1	SCREW M8X16 BUTTON HD HEX SS ISO7380	
20	909 6887 000	1	Abweisrollenkit	
21	145 0452 000	1	NUT SELFLOCKING LOW M8 UNI7474 SS	

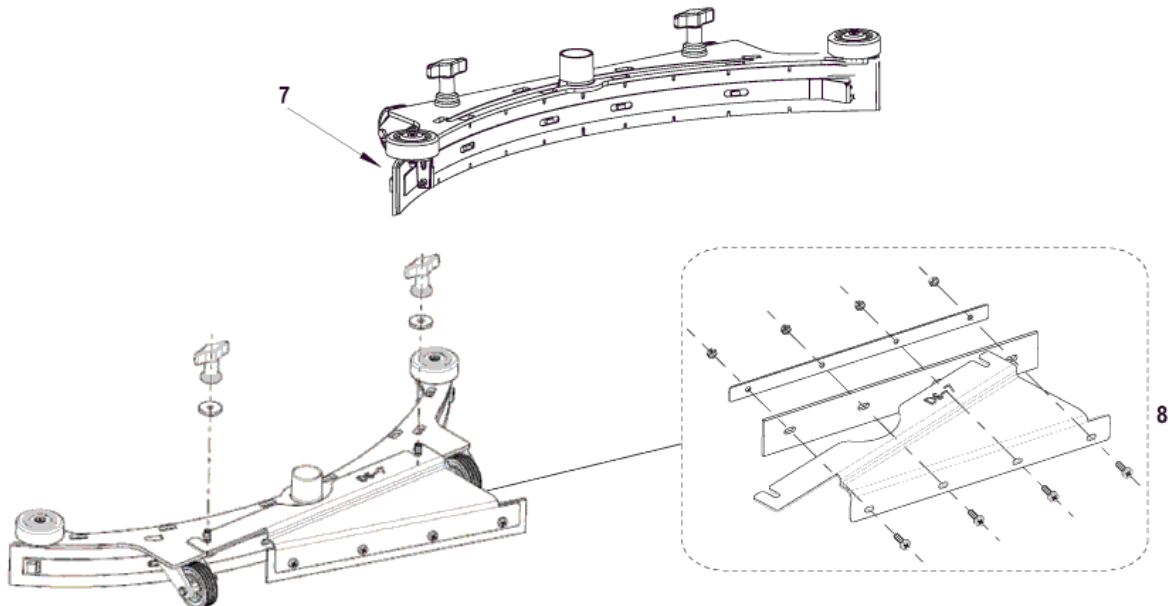
Part Notes:

- [1] - NOT SHOWN
- [2] - FOR SCRUBTEC 545E
- [3] - FOR SCRUBTEC 553E
- [4] - STOCK COVERS GUARANTEE



**KIT PARASPRUZZI 17" SCRUBTEC 545E
SPLASH GUARD 17" KIT SCRUBTEC 545E**

**KIT PARASPRUZZI 20" SCRUBTEC 553E
SPLASH GUARD 20" KIT SCRUBTEC 553E**



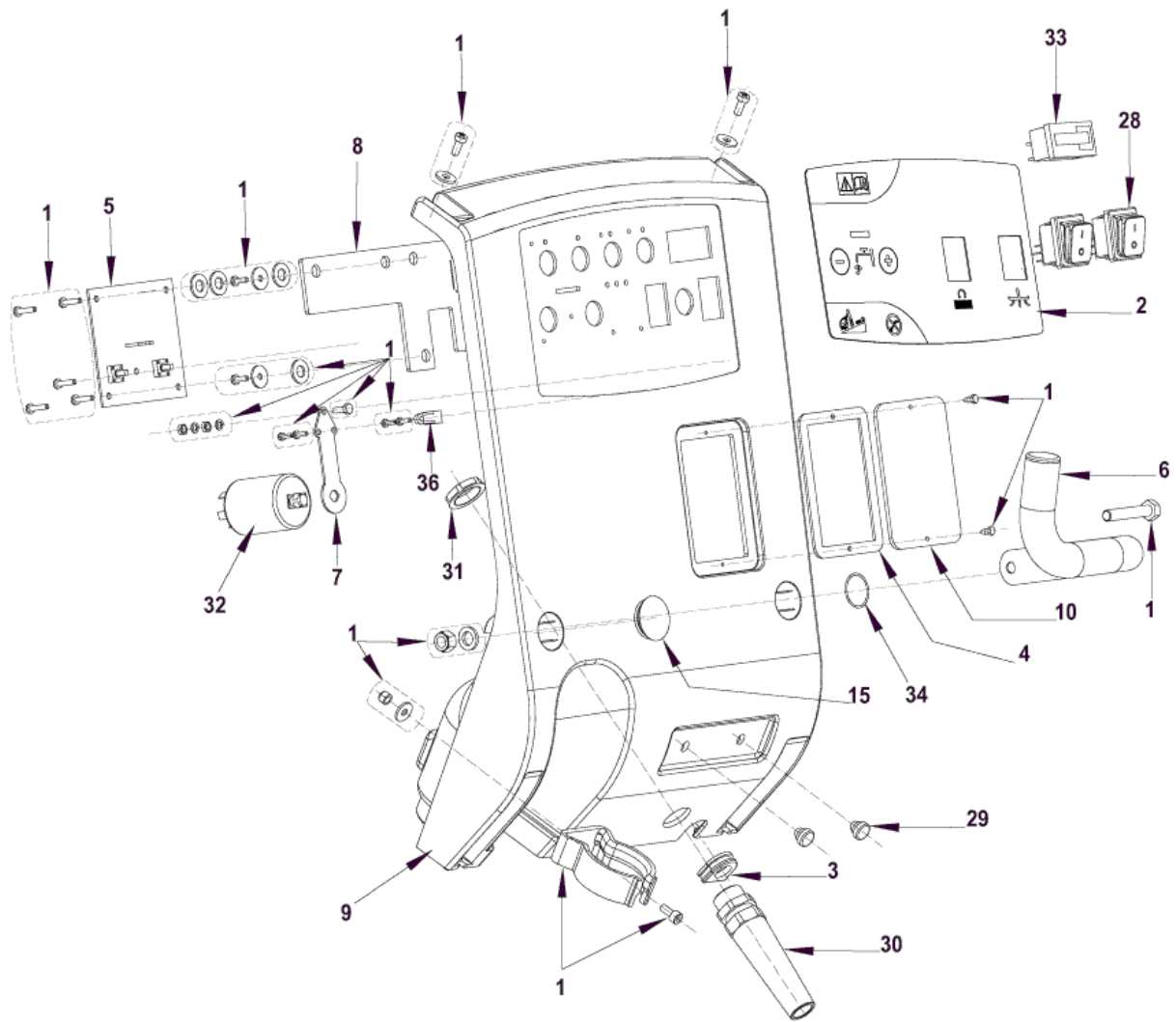
Resource notes:

POSITIONS 0: 909 6483 000 - 909 6484 000 included in the kit 909 6860 000

Pos.	Artikel-Nr.	Menge	Variante	Notes
0	9100000279	1	Sauglippen-Set, 740 mm, 29"	
0	9098854000	1	Winkel 90 Gr. schwarz	[1]
0	909 6858 000	1	Sauglippen-Set PU, 740 mm	
1	909 6736 000	1	Spritzschutz BA 531-551	[2]
2	909 6737 000	1	Spritzschutz BA 451	[2]
3	L08837018	1	Padhalter m. Padverschluss, 530 mm	
3	L08837017	1	Padhalter 450 mm	
4	L08603966	1	Nylon Ring	
5	56505195	1	Padverschluss m. Spange	
6	L08837021	1	Bürste PPN weich, 450 mm	[3]
6	L08837026	1	Bürste PPN weich, 530 mm	
6	L08837023	1	Bürste Midlite mittel-schwer 180 zu BA/C	[3]
6	L08837017	1	Padhalter 450 mm	
6	L08837028	1	Bürste Mid Grit 180, 530 mm	
6	L08837065	1	Bürste Magna Grit 46, 530 mm	
6	L08837020	1	Bürste PPN mittel, 450 mm	
6	L08837067	1	Schleifkornbürste 21" AGLiteGrit 500	
6	L08837066	1	Bürste Dyna Grit 80, 530 mm	
6	L08837024	1	Bürste Sica mittel, 450mm	[3]
6	L08837022	1	Union Mix Bürste 450mm	[3]
6	L08837025	1	Bürste PPN mittel, 530 mm	
6	L08837029	1	Bürste Sica Mid Grit 240, 530mm	
6	L08837027	1	Bürste Union Mix, 530 mm	
7	909 6851 000	1	Saugfuß Kit komplett	
7	L08603878	1	Saugfuss kompl. BA 430 S	
8	9098343000	1	3 er SeitenbesenCA / BA 451/531/551/611	[4]

Part Notes:

- [1] - SEE TSB IT 2010-061
- [2] - OPTIONAL - SEE INST. INSTR. 909 6745 000
- [3] - COMPLEXITY REDUCTION
- [4] - OPTIONAL - SEE INST. INSTR. 9098337000



Pos.	Artikel-Nr.	Menge	Variante	Notes
1	9098341000	1	Befestigungskit	
2	9097027000	1	Aufkleber Bedientafel	[1]
3	909 6542 000	2	Abdichtung Kabel	
4	909 6545 000	1	Dichtung	
5	909 6547 000	1	Elektronikkarte	
6	909 6591 000	1	SUPPORT. CABLE	
7	909 6631 000	1	PLATE GROUND	
8	909 6644 000	1	PLATE BOARD INSULATION	
9	9100001359	1	COVER BLUE F ELECTRIC COMP. BOX SIP	[2]
10	9100001065	1	COVER F INSPECTION PLATE BLACK PKD	
28	107404540	2	Schalter	
29	909 6553 000	2	Gummi	
30	909 6656 000	1	Zugentlastungsklemme	
31	909 6657 000	1	Gewindering	
32	9100000765	1	FILTER EMC KIT	
33	909 6735 000	1	Stundenzähler	[3]
34	909 6675 000	1	O-Ring	
36	L08600168	1	Block Fixierung	
37	909 6229 000	1	KABEL ORANGE 20M	[4]
38	909 6784 000	1	Relais 240V/20A	[4]
39	909 6625 000	1	CABLE. BRUSH MOTOR	[4]
40	909 6845 000	1	CABLE SOLENOID VALVE	[5]
41	909 6626 000	1	CABLE. VACUUM MOTOR	[4]
42	9097040000	1	HARNES CONTROL PANEL	[6]
43	909 6628 000	1	CABLE GROUND	[4]

Part Notes:

- [1] - STOCK COVERS GUARANTEE
SEE TSB IT 2009-025
- [2] - STOCK COVERS GUARANTEE
- [3] - PRUNED ACCESSORY
SEE INST. INSTR. 909 6832 000
- [4] - NOT SHOWN
- [5] - STOCK COVERS GUARANTEE
NOT SHOWN
- [6] - STOCK COVERS GUARANTEE
NOT SHOWN

Resource notes:

POSITIONS 34-35: 909 6483 000 - 909 6484 000 included in the kit 909 6860 000

Pos.	Artikel-Nr.	Menge	Variante	Notes
1	9097296000	1	Frischwasserschlauch	[1]
2	33023302	1	CAP BLACK SIP	[2]
3	909 6874 000	1	CABLE TANK KIT	[2]
4	9097192000	1	Wasserfilter	[2]
5	9098265000	1	BefestigungsKit	[2]
6	9099853000	1	Schlauch für Absaugleiste	[2]
7	9100001892	1	Ablassschlauch L.1480MM 90 BLACK PKD	[2]
8	9100000818	1	CAGE FLOAT HALF 2 PCS SET	[2]
9	9100000817	1	BALL FLOATING PKD	[2]
10	9100001875	1	SUPPORT FLOAT KIT	[2]
11	9100001348	1	CLAMP 14/32-52 10 PCS SET	[2]
12	909 6877 000	1	Motor BefestigungsKit	[2]
13	909 6876 000	1	BefestigungsKit	[3]
14	909 6803 000	1	Saugmotor 230V	[2]
15	909 5719 000	1	Kohlebürsten-Set	[2]
16	909 6491 000	1	Panel, schalldämpfend	[2]
17	909 6490 000	1	Dichtung	[2]
18	9096918000	1	Dichtung f. Motor	[2]
19	909 6672 000	1	Filter	[2]
20	909 6880 000	1	Lenkrolle-Set	[2]
21	909 6878 000	1	Satz Befestigungsteile	[2]
22	9099743000	1	Vorderrad D.200 Kit	[2]
23	9098330000	1	Bediengriff-Set Maschine	[2]
24	9096994000	1	Wasserventil	[2]
25	9097166000	1	Filter komplett Kit	[2]
26	9097170000	1	Rohre Magnetventilsatz	[2]
27	9098932000	1	Magnetventil 230V	[2]
28	9100000106	1	HOLDER RUBBER 1/2 FEMALE KIT	[2]
29	9098777000	1	Schlauchwinkel 10/90	[2]
30	909 6055 000	1	Halteband f. Gummilippe	[2]
31	909 6044 000	1	Saugbalken	[2]
32	9097637000	1	BefestigungsKit BA 551	[2]
33	9100000791	1	KNOB M8X30 THD STUD SS PKD	[2]
36	909 6851 000	1	Saugfuß Kit komplett	[2]
37	909 6882 000	1	BefestigungsKit	[2]
38	909 6883 000	1	Stützrad zu BA 451	[2]
39	9100000279	1	Sauglippen-Set, 740 mm, 29"	[2]
40	909 6884 000	1	Abweisrollenkit BA 451	[2]
41	909 6394 000	1	Verschluss BA 451	[2]
42	909 6885 000	1	Gummilippenhalter Kit	[2]

Part Notes:

- [1] - SCRUBTEC 545E - 553E
STOCK COVERS GUARANTEE
- [2] - SCRUBTEC 545E - 553E
- [3] - SCRUBTEC 545E - 553E

due to ODM/ECN 2810 should have been considered valid for all

Machine configurations which were using it ONLY Before Serial Number 081813772 (Beginning of May 2008).
GUARANTEE DATE EXPIRED

