

PARTS LIST



2017.03.08

 **Nilfisk**[®]

 07351-5758060

kontakt@nilfisk-alto-shop.com



 **Heine**
Vertriebs-GmbH

Preisabfrage bzw. Bestellungen der Artikel im Shop unter

www.nilfisk-alto-shop.com

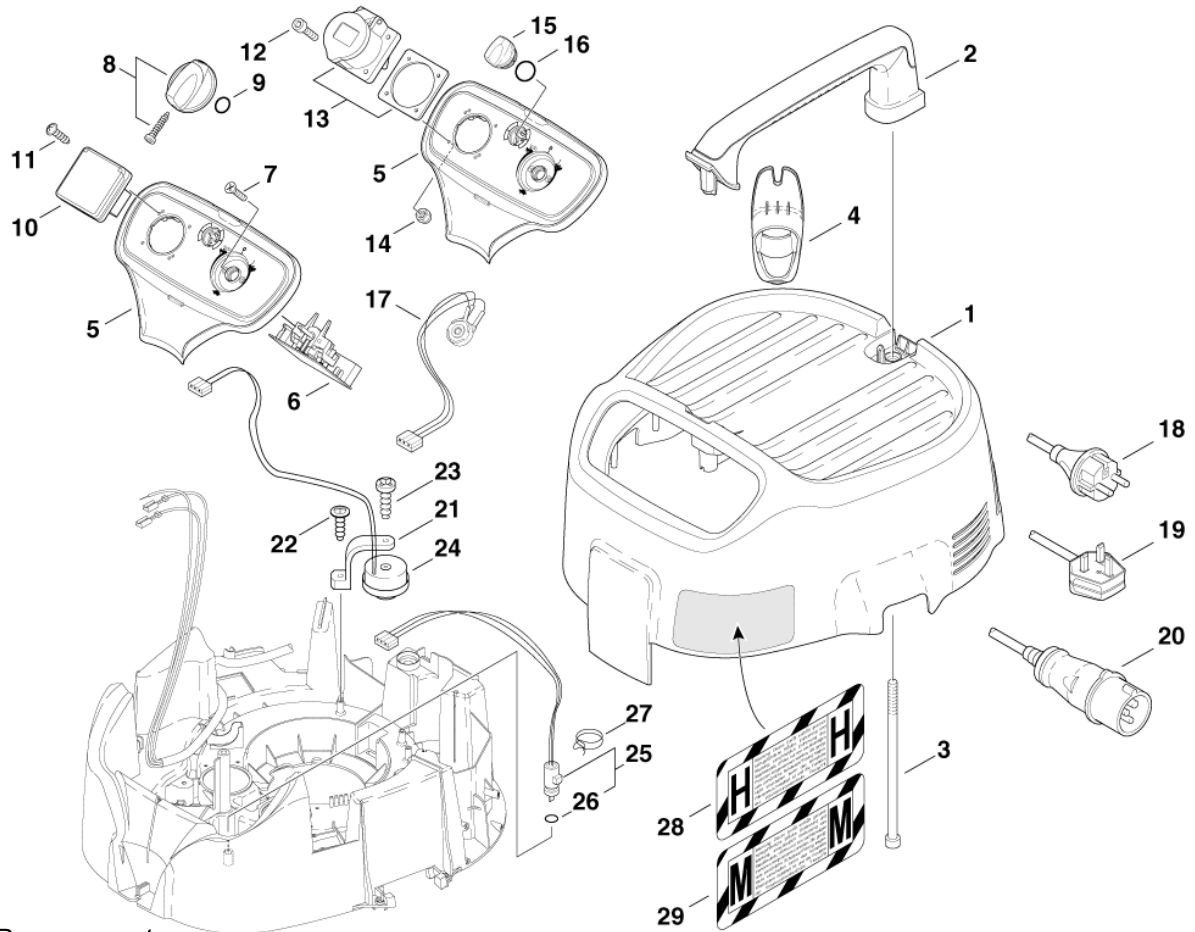
einfach die Artikelnummer in die Suchmaske eingeben

(Bitte die Artikelnummer ohne Leerzeichen eingeben)

TABLE OF CONTENTS

| | |
|--|----|
| Gehäuse ATTIX 550-2M, 751-2M..... | 1 |
| Gehäuse, Schaltkasten ATTIX 560-2M, 761-2M..... | 3 |
| Motor und Filter ATTIX 550-0M, 550-2M, 751-2M..... | 5 |
| Motor ATTIX 560-2M, 761-2M..... | 7 |
| Filterabreinigungssystem ATTIX 560-2M, 761-2M..... | 9 |
| Behälter ATTIX 550..... | 11 |
| Behälter ATTIX 560..... | 13 |
| Behälter ATTIX 751..... | 15 |
| Behälter ATTIX 761..... | 17 |
| Rahmen ATTIX 751..... | 19 |
| Rahmen 761..... | 21 |
| Zubehör (H/M- Klasse) ATTIX 550, 751..... | 23 |
| Zubehör (H/M) 560, 761, 763..... | 25 |

ATTIX 550-2M, 550-2H, 751-2M



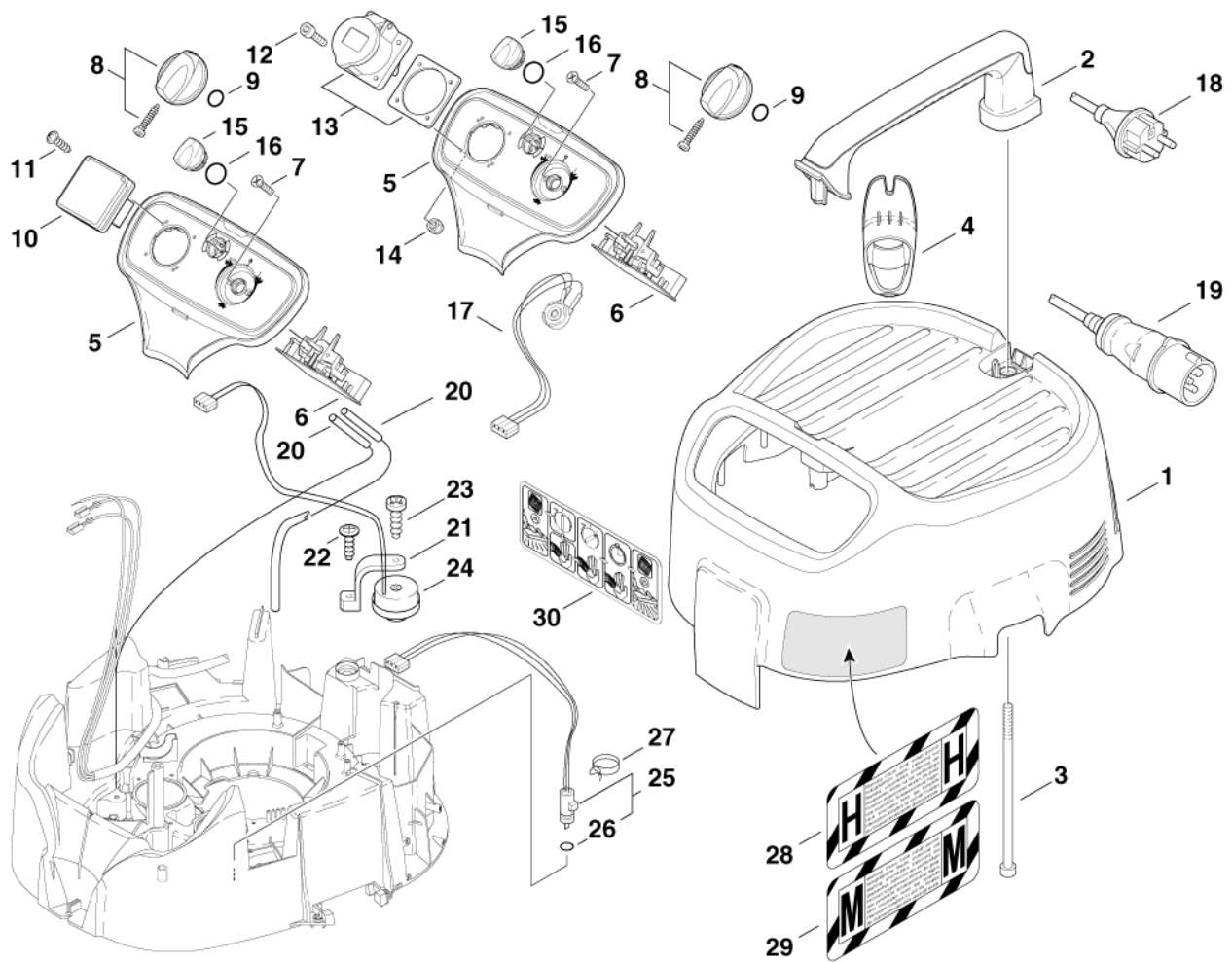
Resource notes:

* NOTE: 550-2M*EU*, 550-2H*EU*, 550-2M*GB,230V*, 751-2M*EU*

| Pos. | Artikel-Nr. | Menge | Variante | Notes |
|------|-------------|-------|--|-------|
| 01 | 107402652 | 1 | Haube mit Dämmlage | |
| 02 | 107402650 | 1 | Griff, Kit | |
| 03 | 909100084 | 2 | Schraube M6x140 | |
| 04 | 302000380 | 1 | Kabelhaken IVB | |
| 05 | 302001161 | 1 | Schaltkasten ATTIX 5,7 | [1] |
| 06 | 302000630 | 1 | Elektronikkarte IVB 3 | [2] |
| 06 | 302000629 | 1 | Elektronik Flow-Messung 100-120V | [3] |
| 07 | 18274 | 2 | Senkschraube M4x12 | |
| 08 | 909100204 | 1 | Drehknopf 6x5 blau | |
| 09 | 9868 | 1 | O-Ring 10x2,5 | |
| 10 | 302004336 | 1 | Steckdose 2 polig 13A. | [4] |
| 10 | 302004034 | 1 | Steckdose | [5] |
| 11 | 11256 | 2 | EP-Schraube KA35x18 St/zn | |
| 12 | 50598 | 4 | Zylinderschraube M5x 20 ISO4762 A2 | [3] |
| 13 | 107402842 | 1 | OUTLET 2P AND PE 16A 110V | [3] |
| 14 | 7417 | 4 | Sechskantmutter M5 | [3] |
| 15 | 107400575 | 1 | Drehknopf | |
| 16 | 107400576 | 1 | O-Ring 21x1.5 | |
| 17 | 302000429 | 1 | Potentiometer IVB 5 | |
| 18 | 107402641 | 1 | Anschlussleitung Europa | [5] |
| 19 | 107400270 | 1 | Anschlussleitung H05RR-F 3G1,5 BS1 363 G | [4] |
| 20 | 302000760 | 1 | Netz-Ltg H07BQ-F 3G1, 5x10, 55CEE 110V*G | [3] |
| 21 | 25871 | 1 | Halter | |
| 22 | 11254 | 1 | Ejotschraube KA35x10 WN1411 St/zn | |
| 23 | 14418 | 1 | Blechschrabe 4,2x13 C-H ISO 7049 zn | |
| 24 | 107400579 | 1 | Pieper IVB 7 | |
| 25 | 302000428 | 1 | Luftsensor IVB | |
| 26 | 55416 | 1 | O-Ring ¥4x1.5IVB 3/5/7 | |
| 27 | 107400578 | 1 | Schlauchschelle D10 | |
| 28 | 302001284 | 1 | Klebeschild WarnungH | [6] |
| 29 | 302001285 | 1 | Klebeschild "Warnung" 'M' | [7] |

Part Notes:

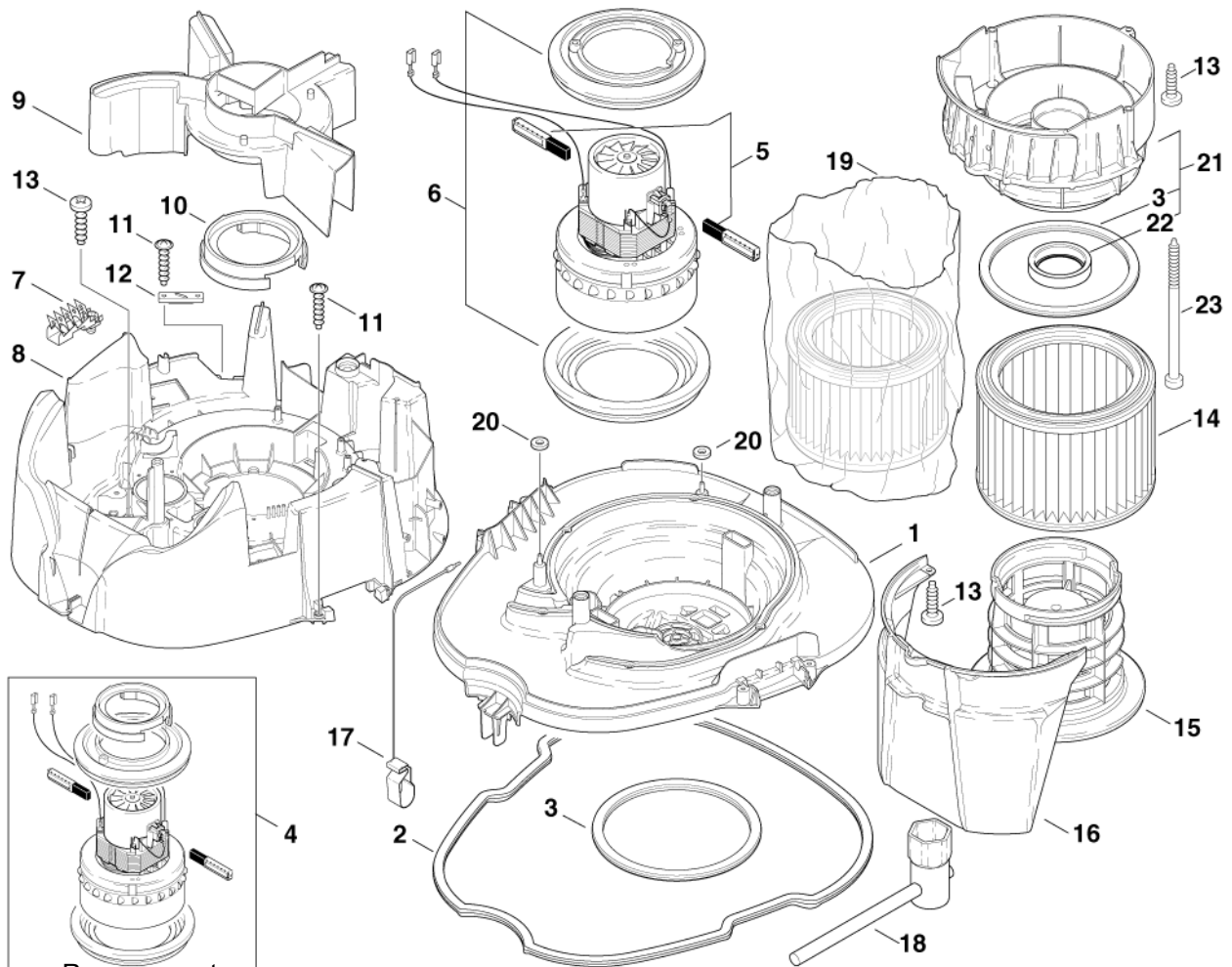
- [1] - 550-2M, 550-2H, 751-2M
- [2] - * SEE NOTE
- [3] - 550-2M*GB,110V*
- [4] - 550-2M*GB,230V*
- [5] - 550-2M*EU*, 550-2H*EU*, 751-2M*EU*
- [6] - 550-2H
- [7] - 550-2M, 751-2M



| Pos. | Artikel-Nr. | Menge | Variante | Notes |
|------|-------------|-------|--|-------|
| 01 | 107402652 | 1 | Haube mit Dämmlage | |
| 02 | 107402650 | 1 | Griff, Kit | |
| 03 | 909100084 | 2 | Schraube M6x140 | |
| 04 | 302000380 | 1 | Kabelhaken IVB | |
| 05 | 302001161 | 1 | Schaltkasten ATTIX 5,7 | |
| 06 | 302001427 | 1 | Elektronik IVB | [1] |
| 06 | 302001426 | 1 | Elektronik IVB 5 | [2] |
| 07 | 18274 | 2 | Senkschraube M4x12 | |
| 08 | 909100204 | 1 | Drehknopf 6x5 blau | |
| 09 | 9868 | 1 | O-Ring 10x2,5 | |
| 10 | 302004034 | 1 | Steckdose | [3] |
| 11 | 11256 | 2 | EP-Schraube KA35x18 St/zn | |
| 12 | 50598 | 4 | Zylinderschraube M5x 20 ISO4762 A2 | [4] |
| 13 | 107402842 | 1 | OUTLET 2P AND PE 16A 110V | [4] |
| 14 | 7417 | 4 | Sechskantmutter M5 | [4] |
| 15 | 107400575 | 1 | Drehknopf | |
| 16 | 107400576 | 1 | O-Ring 21x1.5 | |
| 17 | 302000429 | 1 | Potentiometer IVB 5 | |
| 18 | 107402641 | 1 | Anschlussleitung Europa | [3] |
| 18 | 107402642 | 1 | Netzkabel | [5] |
| 19 | 302000760 | 1 | Netz-Ltg H07BQ-F 3G1, 5x10, 55CEE 110V*G | [6] |
| 20 | 107411687 | 1 | SILIKON HOSE D3X1,5 2METER - KIT | |
| 21 | 25871 | 1 | Halter | |
| 22 | 11254 | 1 | Ejotschraube KA35x10 WN1411 St/zn | |
| 23 | 14418 | 1 | Blechschrabe 4,2x13 C-H ISO 7049 zn | |
| 24 | 107400579 | 1 | Pieper IVB 7 | |
| 25 | 302000428 | 1 | Luftsensur IVB | |
| 26 | 55416 | 1 | O-Ring ¥4x1.5IVB 3/5/7 | |
| 27 | 107400578 | 1 | Schlauchschelle D10 | |
| 28 | 302001284 | 1 | Klebeschild WarnungH | [7] |
| 29 | 302001285 | 1 | Klebeschild "Warnung" 'M' | [8] |
| 30 | 302000824 | 1 | Klebschild | |
| 30 | 1801075 | 1 | Dichtring | |

Part Notes:

- [1] - 560-2MXC*EU*, 761-2MXC*EU*, 763 2M ED
- [2] - 560-2HXC *GB,110V*
STOCK COVERS GUARANTEE
- [3] - *EU*
- [4] - 560-2HXC*GB,110V*
- [5] - DK
- [6] - *GB,110V*
- [7] - 560-2HXC
- [8] - 560-2MXC, 761-2MXC



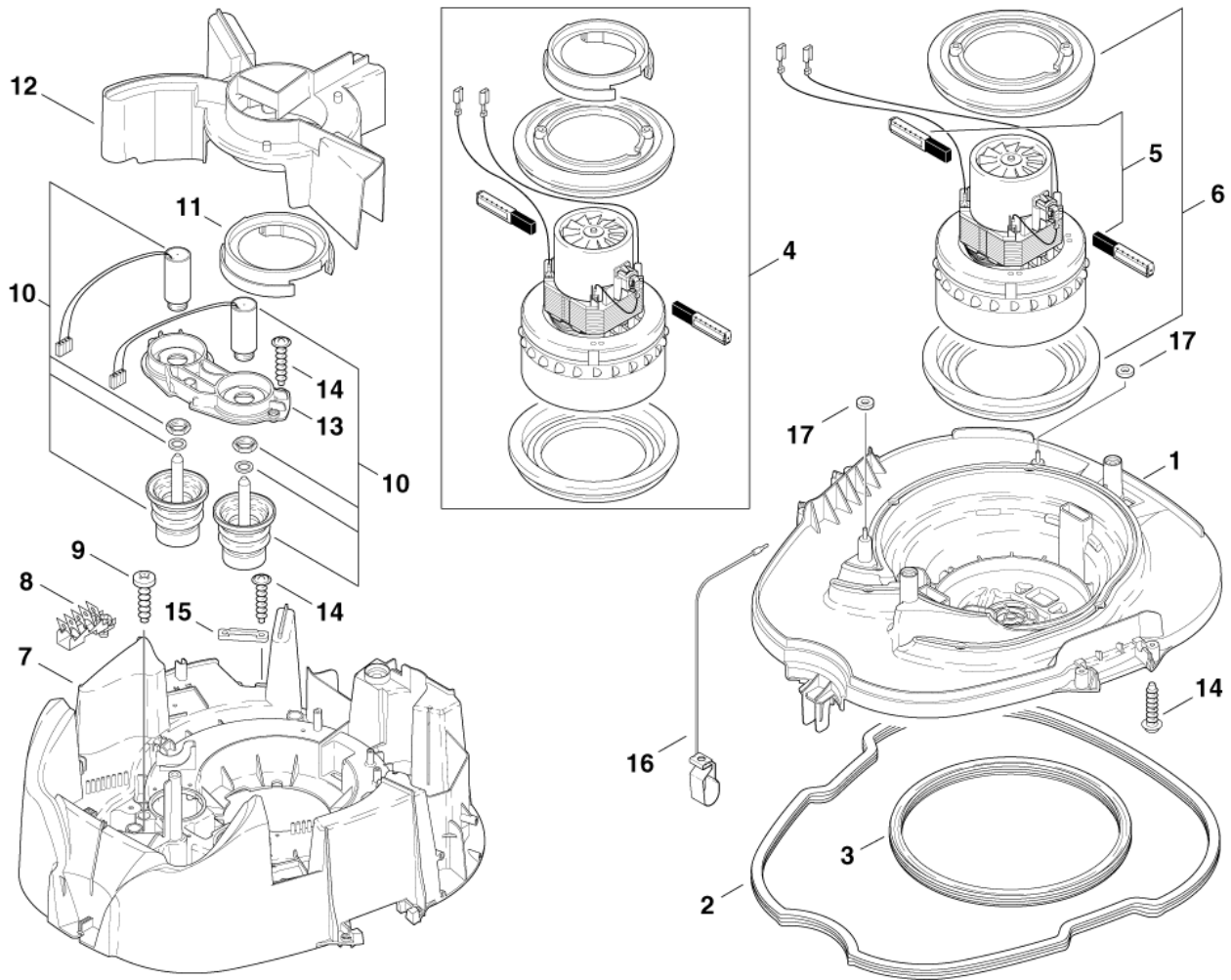
Resource notes:

* NOTE: 550-2M*EU, 550-2M*GB,230V*, 550-0H*GB,230V*, 550-2H*EU*, 751-2M

| Pos. | Artikel-Nr. | Menge | Variante | Notes |
|------|-------------|-------|--------------------------------------|-------|
| 01 | 302000372 | 1 | Trägerplatte | |
| 02 | 302000637 | 1 | Dichtung Container IVB 5 | |
| 03 | 302000460 | 1 | Dichtring | |
| 04 | 49594 | 1 | Elektromotor 230/240 V | [1] |
| 04 | 49598 | 1 | Elektromotor 230/240 V/50 Hz | [2] |
| 04 | 26784 | 1 | Elektromotor 120 V/50, 60 Hz | [3] |
| 05 | 26774 | 1 | Satz Kohlebürsten | [4] |
| 05 | 49625 | 1 | Kohlebürsten-Satz C | [5] |
| 05 | 26775 | 1 | CARBON BRUSH SET L | [6] |
| 06 | 42538 | 1 | Satz Gummiringe | [7] |
| 06 | 28875 | 1 | Satz Gummiringe | [8] |
| 07 | 302000755 | 1 | Verteilerleiste 6-pol. 1 | |
| 08 | 302001286 | 1 | Support plate | |
| 09 | 302000373 | 1 | Abluft | |
| 10 | 47035 | 1 | Manschette | [9] |
| 10 | 47036 | 1 | Gummiring | |
| 11 | 11256 | 6 | EP-Schraube KA35x18 St/zn | |
| 12 | 5697 | 1 | Kabelschelle | |
| 13 | 909100138 | 8 | Schraube 5x20 | |
| 14 | 302000658 | 1 | Filterelement H-Klasse, Ø 211x140 mm | [10] |
| 14 | 302000490 | 1 | Filterelement Ø 185x140 mm | [11] |
| 15 | 107400577 | 1 | Filterhalter | [12] |
| 15 | 107402646 | 1 | Filterkorb | [11] |
| 16 | 302000379 | 1 | Deflector IVB | |
| 17 | 61174 | 1 | Ableiter | |
| 17 | 302000823 | 1 | CONTACT SPRING 41.8X14 AS BR | [13] |
| 18 | 107400755 | 1 | TEE WRENCH HEXAGON 24MM DIN659 | [14] |
| 19 | 30082 | 1 | Filterschutzbeutel(10 Stück) | [14] |
| 20 | 62359 | 2 | Dichtung 9x4x1 | |
| 21 | 302001641 | 1 | Adapter vorm. ATTIX | [15] |
| 22 | 302001546 | 1 | Dichtring für Schwimmer | [15] |
| 23 | 909100196 | 3 | Schraube 5x90 | [15] |

Part Notes:

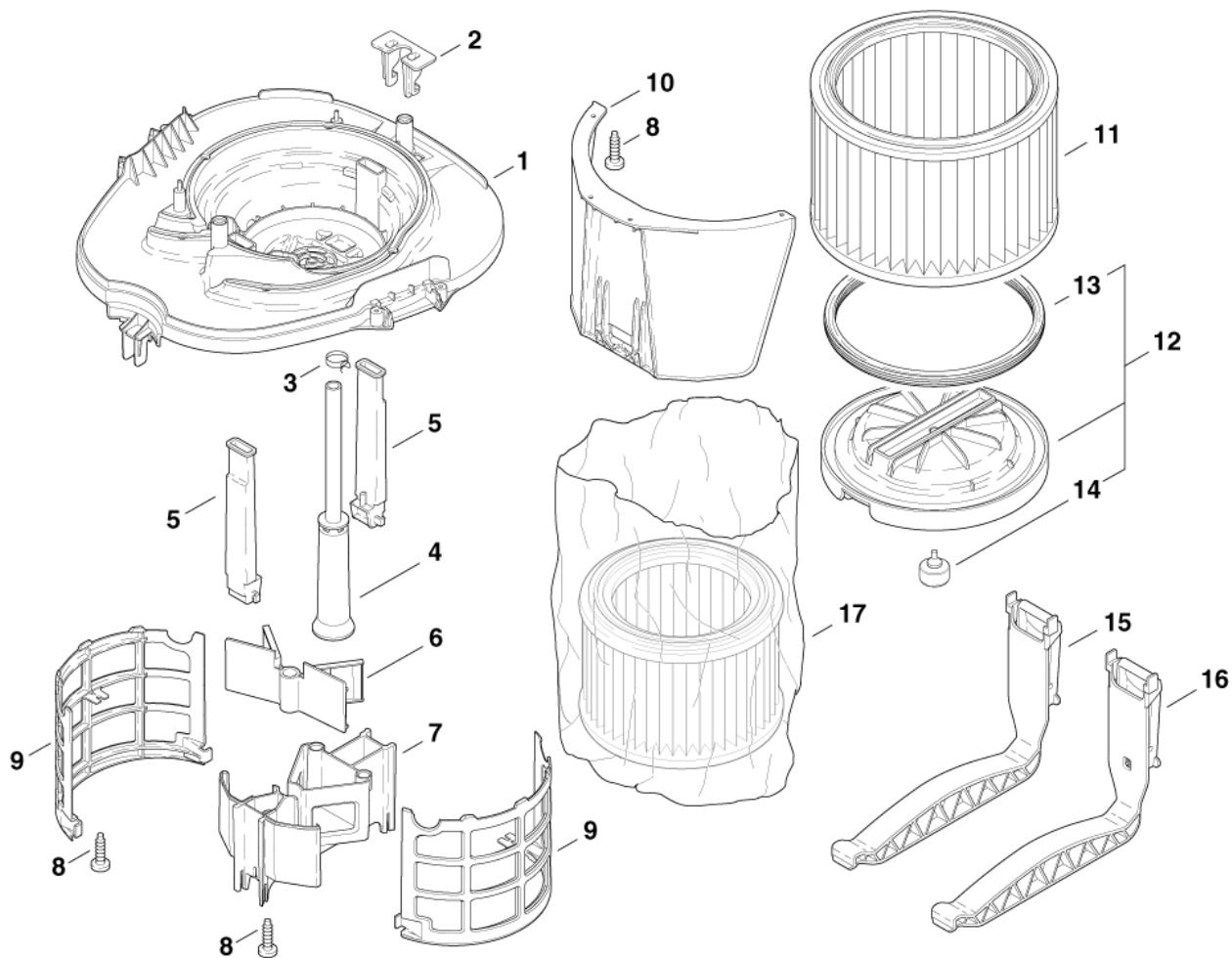
- [1] - * SEE NOTE
PLEASE CONTACT CARWASH DIRECTLY
- [2] - 550-0H*EU*, 751-0H
- [3] - 550-2M*GB, 110V*, 550-0H*GB, 110V*
- [4] - FOR IDENTIF.LETTER "M"
- [5] - FOR IDENTIF.LETTER "C"
PLEASE CONTACT CARWASH DIRECTLY
- [6] - FOR IDENTIF.LETTER "L"
- [7] - FOR IDENTIF.LETTER "C"
- [8] - FOR IDENTIF.LETTER "L"+"M"
- [9] - 550-0H*EU*, 751-0H
- [10] - 550-0H, 550-2H, 751-0H
CONTACT PM IN ZOCCA
- [11] - 550-2M, 751-2M
- [12] - 550-0H, 550-2H, 751-0H
- [13] - *GB*
- [14] - 550-0H, 550-2H, 751-0H
- [15] - 751-0H, 751-2M



| Pos. | Artikel-Nr. | Menge | Variante | Notes |
|------|-------------|-------|------------------------------|-------|
| 01 | 302000511 | 1 | Trägerplatte | |
| 02 | 302000637 | 1 | Dichtung Container IVB 5 | |
| 03 | 302000460 | 1 | Dichtring | |
| 04 | 49594 | 1 | Elektromotor 230/240 V | [1] |
| 04 | 26784 | 1 | Elektromotor 120 V/50, 60 Hz | [2] |
| 05 | 26775 | 1 | CARBON BRUSH SET L | [3] |
| 05 | 49625 | 1 | Kohlebürsten-Satz C | [4] |
| 05 | 26774 | 1 | Satz Kohlebürsten | [5] |
| 06 | 28875 | 1 | Satz Gummiringe | [6] |
| 06 | 42538 | 1 | Satz Gummiringe | [7] |
| 07 | 302001657 | 1 | Motorgehäuse IVB 5 | |
| 08 | 302000755 | 1 | Verteilerleiste 6-pol. 1 | |
| 09 | 909100138 | 8 | Schraube 5x20 | |
| 10 | 302000217 | 2 | Elektromagnet 12V | [8] |
| 10 | 107402635 | 2 | Elektromagnet Kit 24V | [9] |
| 11 | 47036 | 1 | Gummiring | |
| 12 | 302000373 | 1 | Abluft | |
| 13 | 302000388 | 1 | Halter Magnetventil | |
| 14 | 11256 | 11 | EP-Schraube KA35x18 St/zn | |
| 15 | 5697 | 1 | Kabelschelle | |
| 16 | 61174 | 1 | Ableiter | |
| 17 | 62359 | 2 | Dichtung 9x4x1 | |

Part Notes:

- [1] - *EU*
PLEASE CONTACT CARWASH DIRECTLY
- [2] - *GB,110V*
- [3] - FOR IDENTIF.LETTER "L"
- [4] - FOR IDENTIF.LETTER "C"
PLEASE CONTACT CARWASH DIRECTLY
- [5] - FOR IDENTIF.LETTER "M"
- [6] - FOR IDENTIF.LETTER"L"+"M"
- [7] - FOR IDENTIF.LETTER "C"
- [8] - FOR 100-120V
- [9] - FOR 220-240V

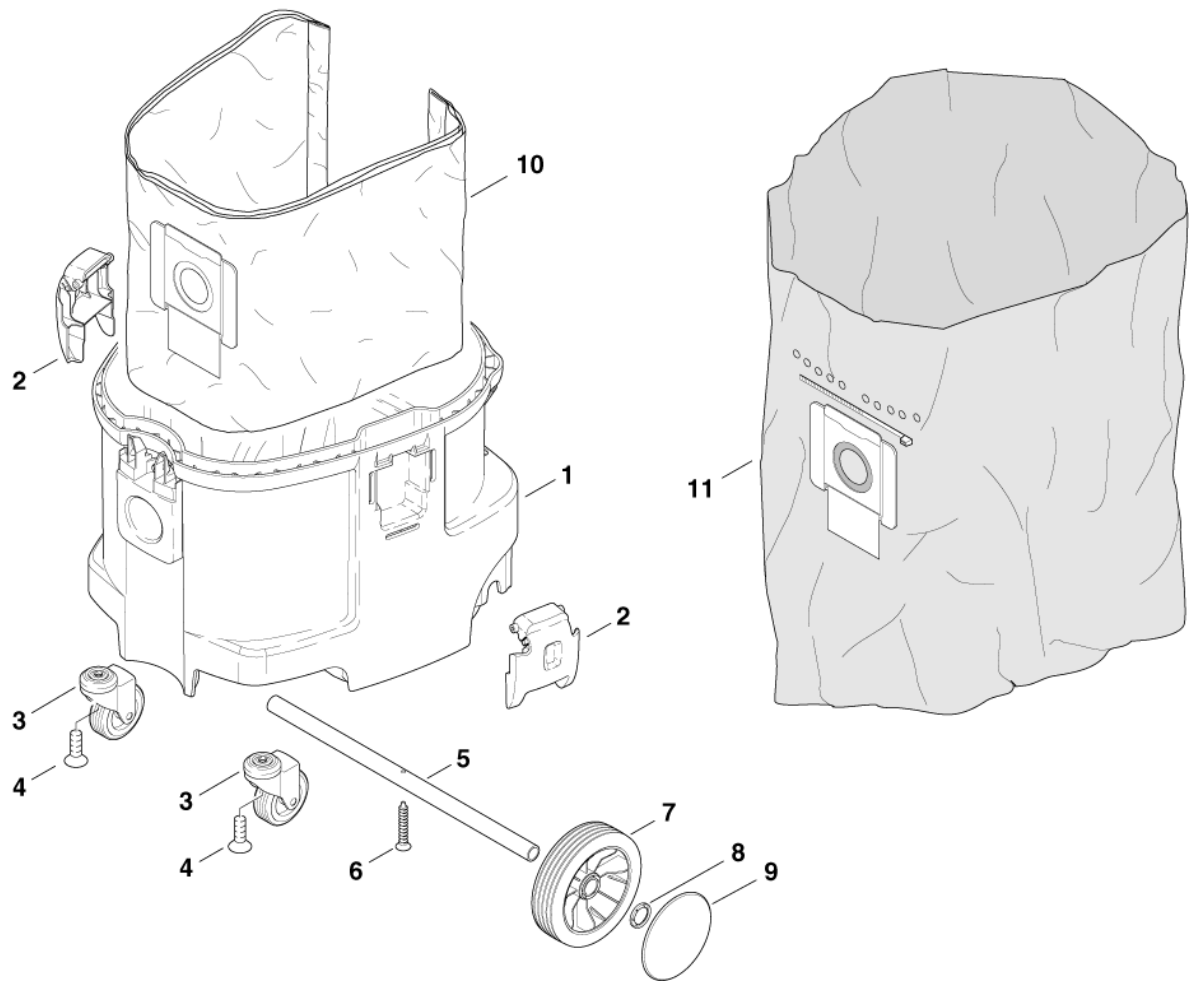


| Pos. | Artikel-Nr. | Menge | Variante | Notes |
|------|-------------|-------|--|-------|
| 01 | 107413315 | 1 | BASE PLATE - KIT | |
| 02 | 107413313 | 1 | Befestigung 72x32x52 | |
| 03 | 909100137 | 1 | Drahtschlauchklemme 19 | |
| 04 | 303000516 | 1 | Schlauch 40X335 | [1] |
| 04 | 302001473 | 1 | Schlauch 40x396 | [2] |
| 05 | 302000514 | 2 | Dichtung f.Filtertrennung | |
| K1 | 107412690 | 1 | COVER WITH FLAP ATTIX 560 | [3] |
| 08 | 909100138 | 9 | Schraube 5x20 | |
| 09 | 302000385 | 2 | Filterstützkorb IVB 5 | |
| 10 | 107402640 | 1 | Abweiser 318x180x212 | |
| 11 | 107400564 | 1 | Filter Element D275x187H Class | [4] |
| 11 | 302000751 | 1 | Filterelement M-Klasse, PET, Ø 275x185 m | [5] |
| 12 | 107402653 | 1 | FILTER SURFACE PLATE | |
| 13 | 302000697 | 1 | Dichtung Filter IVB 5 | |
| 14 | 302000515 | 1 | Stopfen 33x37 | |
| 15 | 107402651 | 1 | Filterfeststell- | [6] |
| 16 | 302001139 | 1 | Haltebügel | [4] |
| 17 | 30082 | 1 | Filterschutzbeutel(10 Stück) | [4] |

Part Notes:

- [1] - 560-2MXC, 560-2HXC,
- [2] - 761-2MXC
- [3] - Includes pos. 6+7
- [4] - 560-2HXC
- [5] - 560-2MXC, 761-2MXC, 763-2M ED
- [6] - 560-2MXC, 761-2M XC, 763-2M ED

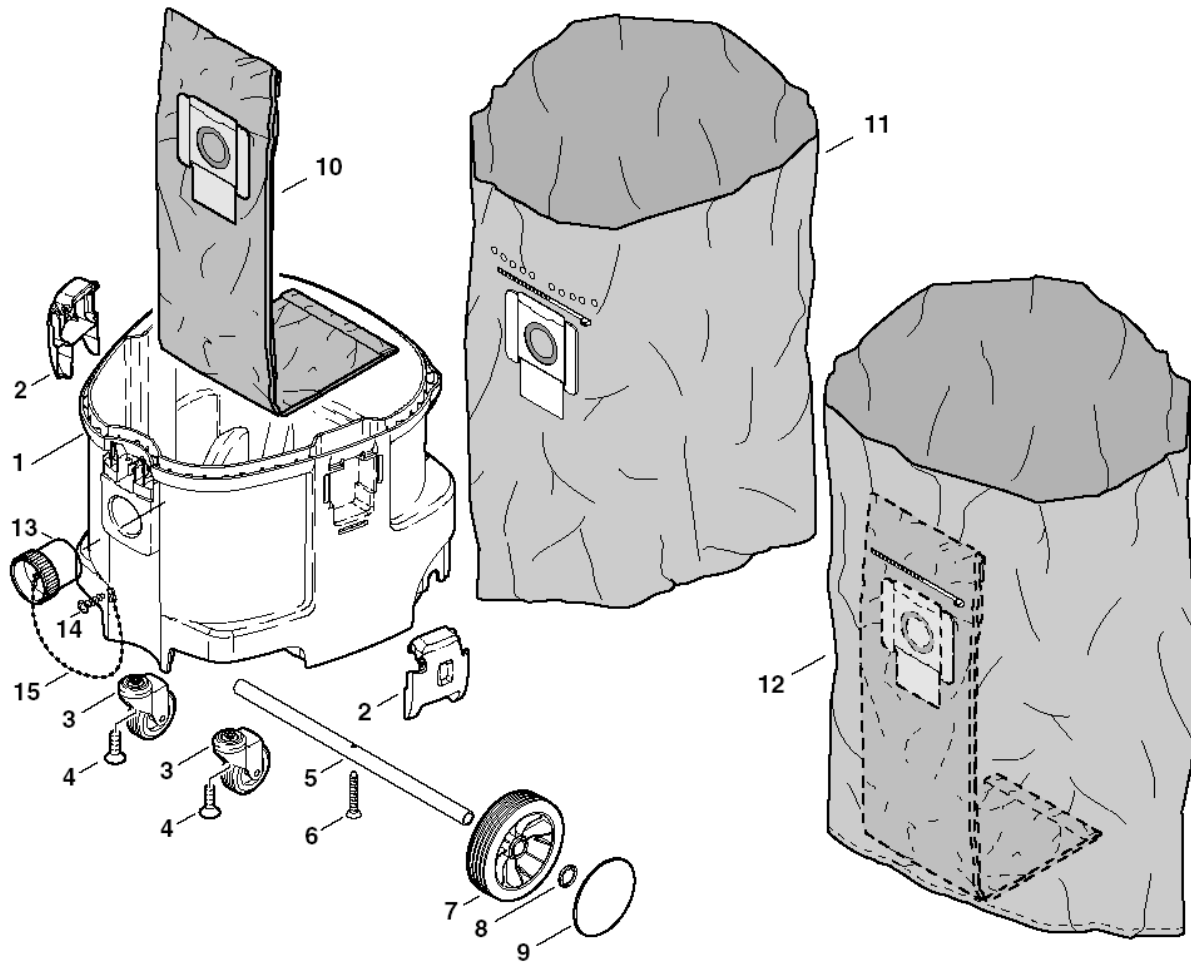
ATTIX 550-2M, 550-0H,550-2H



| Pos. | Artikel-Nr. | Menge | Variante | Notes |
|------|-------------|-------|---------------------------------|-------|
| 01 | 107413314 | 1 | CONTAINER - KIT | |
| 02 | 302000349 | 2 | Klammer | |
| 03 | 107409103 | 1 | CASTOR D75X100 2 PCS. | |
| 04 | 909100164 | 2 | Schraube M8 x 25 | |
| 05 | 107402649 | 1 | Achse 20x1,5x440 | |
| 06 | 909100085 | 1 | Schraube IVB 5x35 | |
| 07 | 302000639 | 2 | Rad hinten IVB schwarz ¥ 150x20 | |
| 08 | 47302 | 2 | Sich. Ring ¥ 28.6/ ¥20x | |
| 09 | 67050 | 2 | HUB CAP | |
| 10 | 302000527 | 1 | Filtersack ATTIX 550, 5 Stk | [1] |
| 11 | 302001141 | 1 | Sicherheitsfiltersack Set | [2] |

Part Notes:

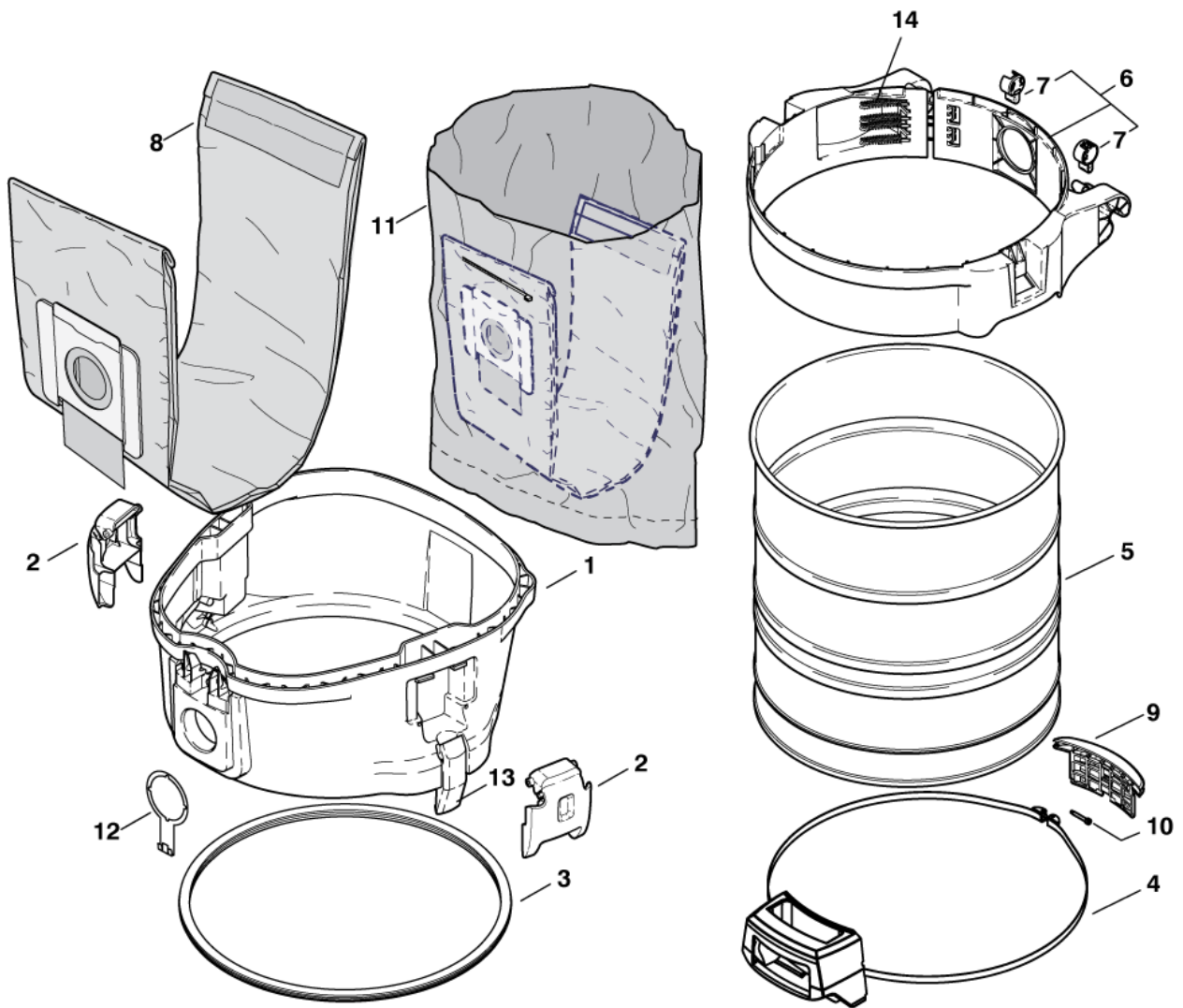
- [1] - 550-2M
[2] - 550-0H, 550-2H



| Pos. | Artikel-Nr. | Menge | Variante | Notes |
|------|-------------|-------|----------------------------------|-------|
| 01 | 107413314 | 1 | CONTAINER - KIT | |
| 02 | 302000349 | 2 | Klammer | |
| 03 | 107409103 | 1 | CASTOR D75X100 2 PCS. | |
| 04 | 909100164 | 2 | Schraube M8 x 25 | |
| 05 | 107402649 | 1 | Achse 20x1,5x440 | |
| 06 | 909100085 | 1 | Schraube IVB 5x35 | |
| 07 | 302000639 | 2 | Rad hinten IVB schwarz ¥ 150x20 | |
| 08 | 47302 | 2 | Sich. Ring ¥ 28.6/ ¥20x | |
| 09 | 67050 | 2 | HUB CAP | |
| 10 | 302001138 | 1 | FILTERSACK VPE 5 | [1] |
| 11 | 302000728 | 1 | Entsorgungssack (Set 5) | |
| 12 | 302001143 | 1 | Entsorgungssack Light Ivac 5Stk. | [2] |
| 13 | 14775 | 1 | Stopfen | [2] |
| 14 | 24738 | 1 | Schraube 3.5 x 8 | [2] |
| 15 | 30080 | 1 | Kette IVB 5 | [2] |

Part Notes:

- [1] - 560-2MXC
 [2] - 560-2HXC

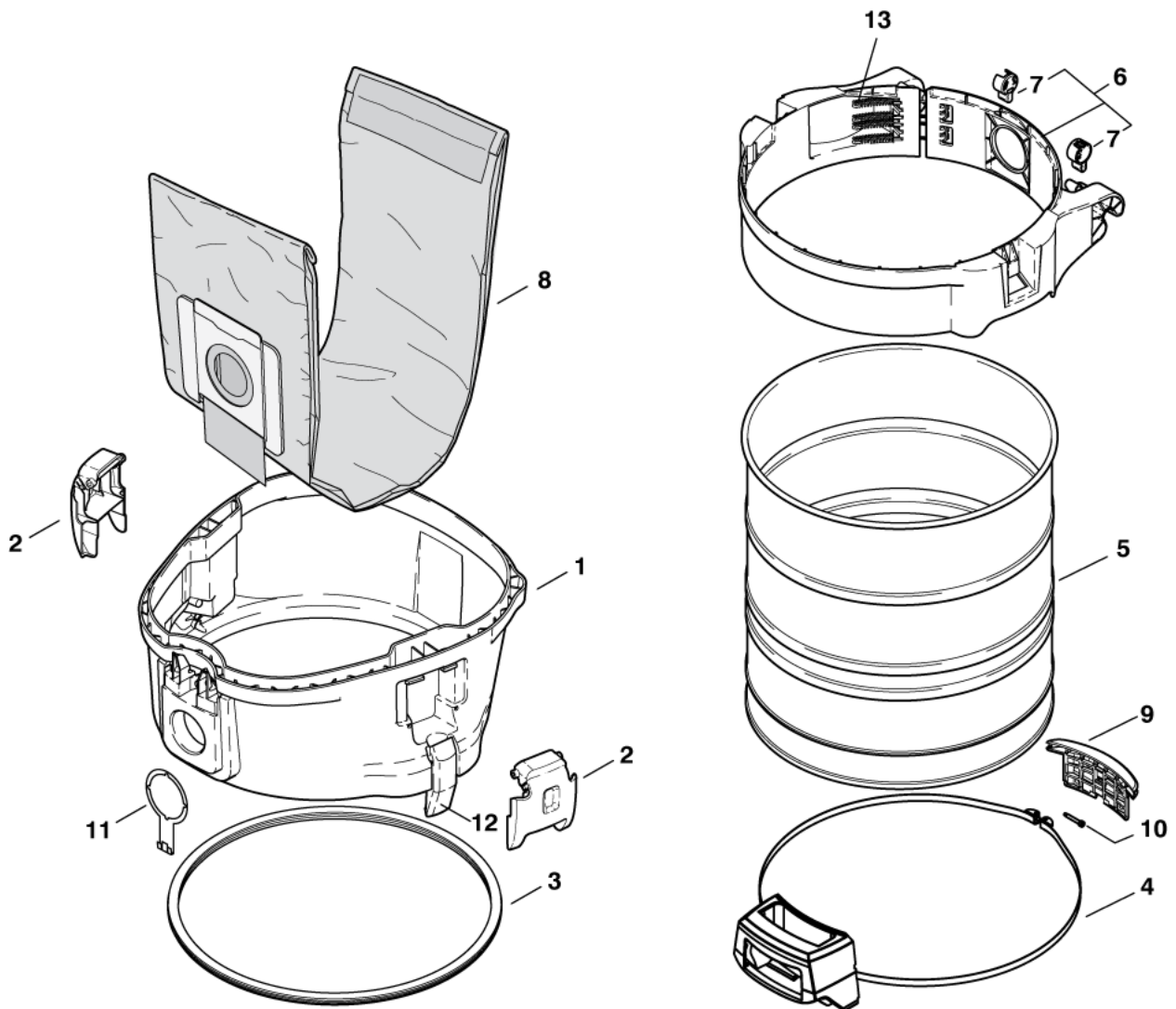


| Pos. | Artikel-Nr. | Menge | Variante | Notes |
|------|-------------|-------|------------------------------------|-------|
| 01 | 107400257 | 1 | ADAPTERRING ATTIX7-KIT | |
| 02 | 302000349 | 1 | Klammer | |
| 03 | 302001432 | 1 | Kesseldichtung IVB 7 | |
| 04 | 302001605 | 1 | Griff mit Spannband | |
| 05 | 107402657 | 1 | CONTAINER R408X430SS | |
| 06 | 302001704 | 1 | Gürtel 480 Set1 | |
| 07 | 302001441 | 1 | Verriegelung IVB 5 M | |
| 08 | 302001484 | 1 | Filtersack ATTIX 7-IVB 7 VPE 5 STK | [1] |
| 09 | 302001363 | 1 | CONTAINER STOPPER ATTIX 7 | |
| 10 | 302001613 | 1 | Zylinderschraube M5x35x5 | |
| 11 | 302001486 | 1 | SicherheitsFiltersack VPE 5 | [2] |
| 12 | 107400145 | 1 | Antistatikklammer Attix 7 | |
| 13 | 19880 | 1 | Klammer | |
| 14 | 909100383 | 1 | Druckfeder 1,40x 7,5 x | |

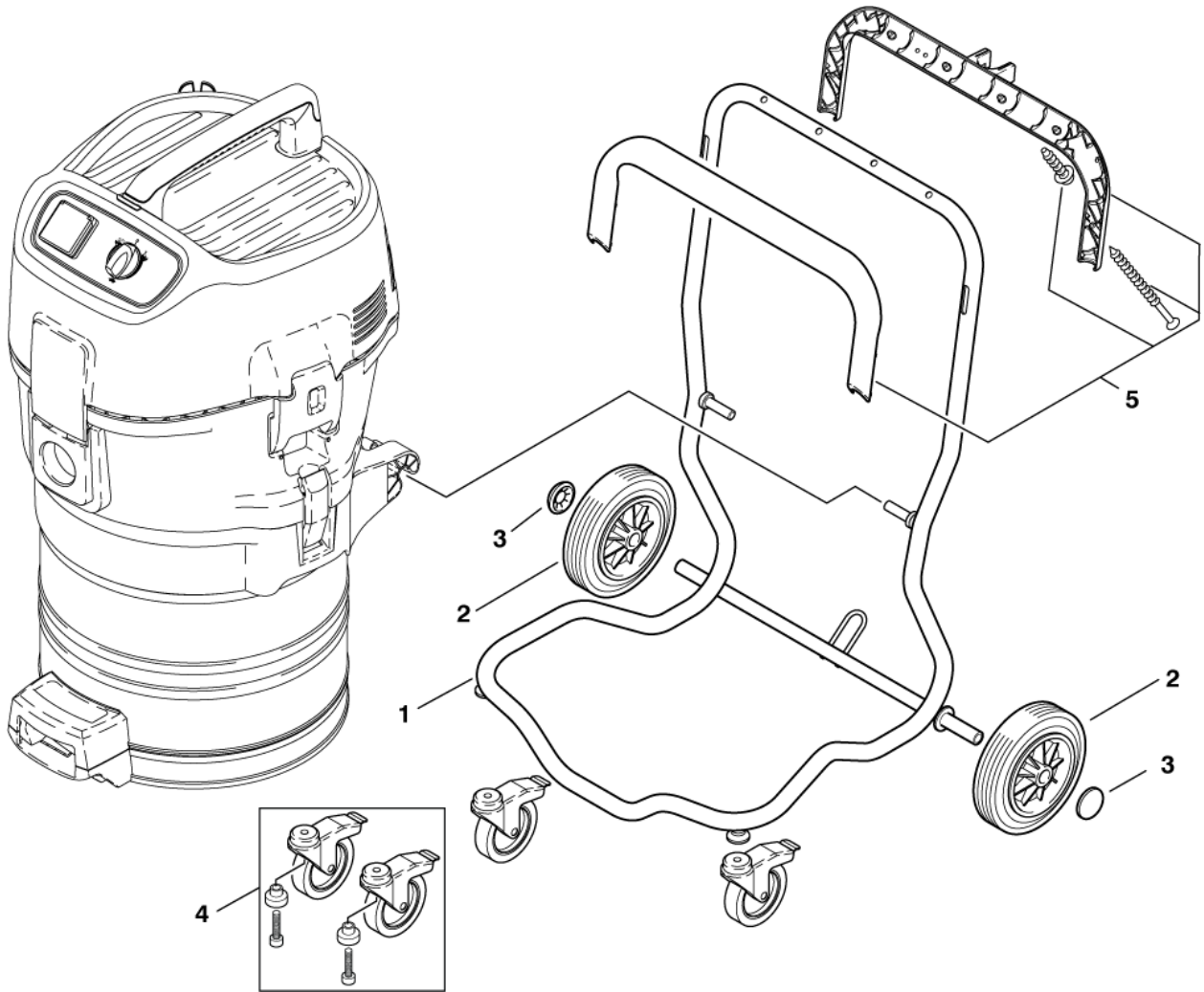
Part Notes:

[1] - 751-2M

[2] - 751-0H



| Pos. | Artikel-Nr. | Menge | Variante | Notes |
|------|-------------|-------|------------------------------------|-------|
| 01 | 107400257 | 1 | ADAPTERRING ATTIX7-KIT | |
| 02 | 302000349 | 2 | Klammer | |
| 03 | 302001432 | 1 | Kesseldichtung IVB 7 | |
| 04 | 302001605 | 1 | Griff mit Spannband | |
| 05 | 107402657 | 1 | CONTAINER R408X430SS | |
| 06 | 302001704 | 1 | Gürtel 480 Set1 | |
| 07 | 302001441 | 2 | Verriegelung IVB 5 M | |
| 08 | 302001484 | 1 | Filtersack ATTIX 7-IVB 7 VPE 5 STK | |
| 09 | 302001363 | 1 | CONTAINER STOPPER ATTIX 7 | |
| 10 | 302001613 | 1 | Zylinderschraube M5x35x5 | |
| 11 | 107400145 | 1 | Antistatikklammer Attix 7 | |
| 12 | 19880 | 1 | Klammer | |
| 13 | 909100383 | 1 | Druckfeder 1,40x 7,5 x | |

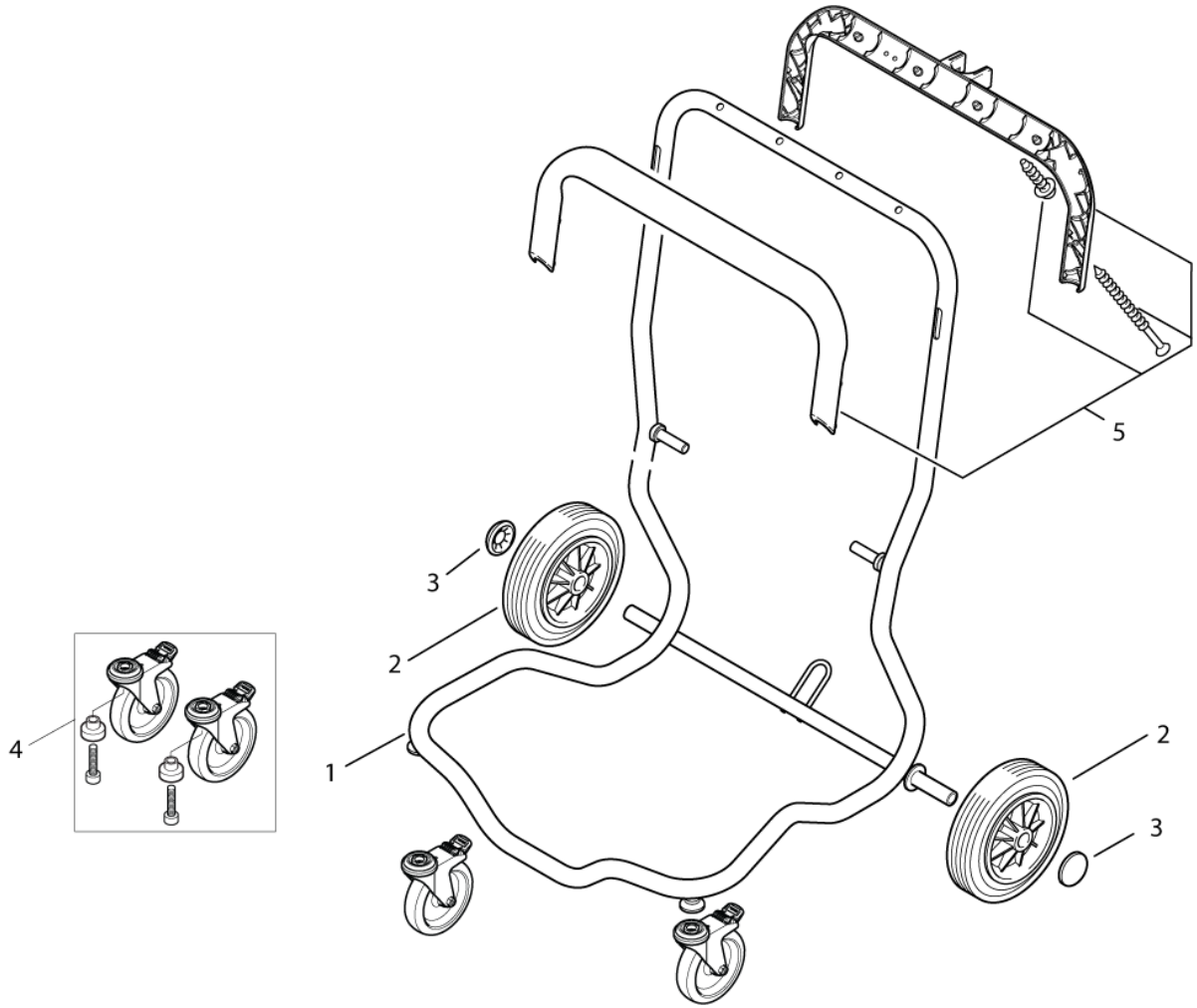


| Pos. | Artikel-Nr. | Menge | Variante | Notes |
|------|-------------|-------|-----------------------------------|-------|
| 01 | 302001437 | 1 | Grundrahmen ATTIX 7 sc | |
| 02 | 107401077 | 2 | Radkit 200x50 2 Stk | [1] |
| 03 | 3750 | 2 | Kappe | |
| 04 | 107401054 | 1 | Lenkrollen mit Bremse, VPE 2 Stck | [2] |
| 05 | 302001706 | 1 | Griffschale Ober-u.Untert | |

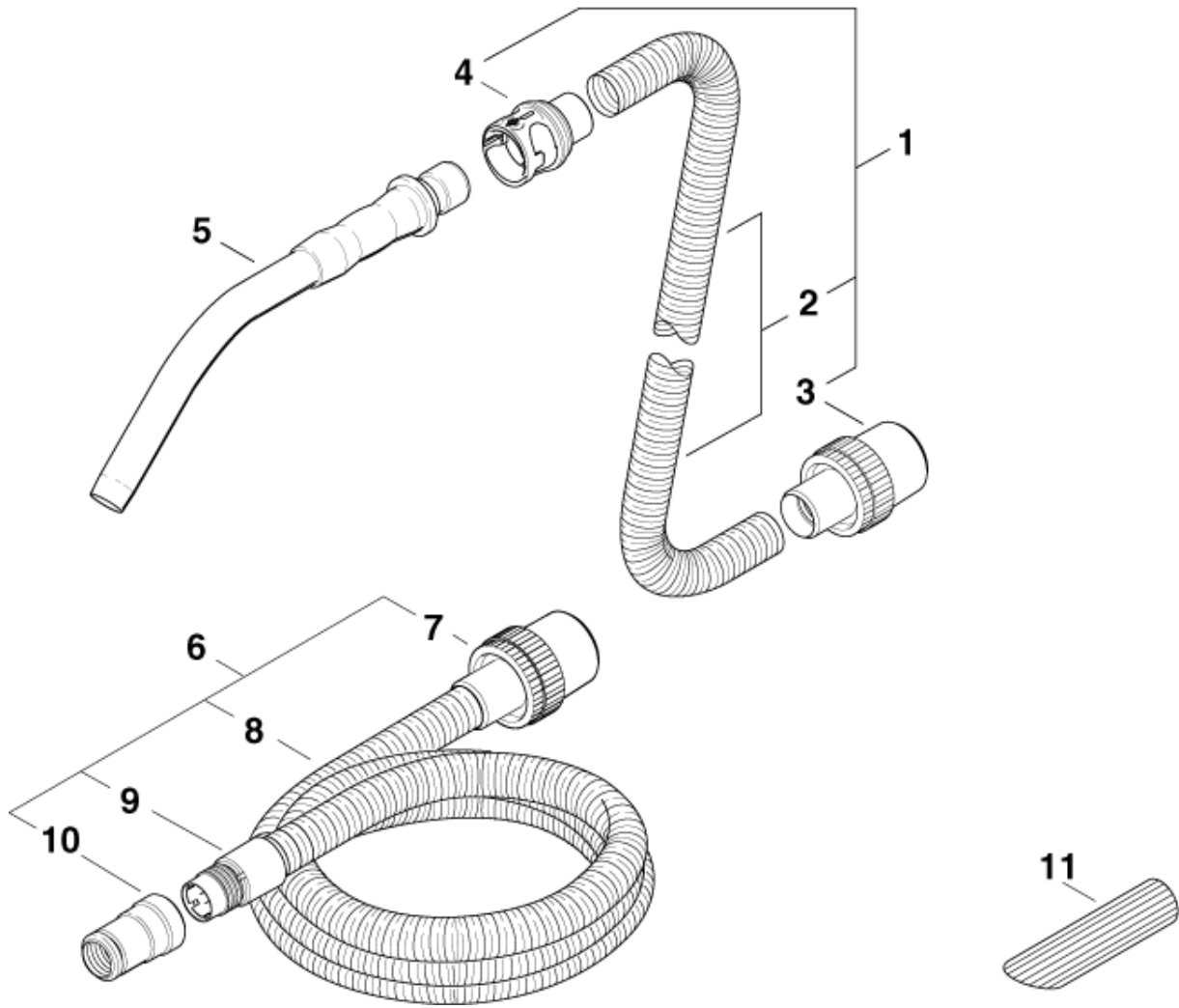
Part Notes:

[1] - 302000334

[2] - 2011054



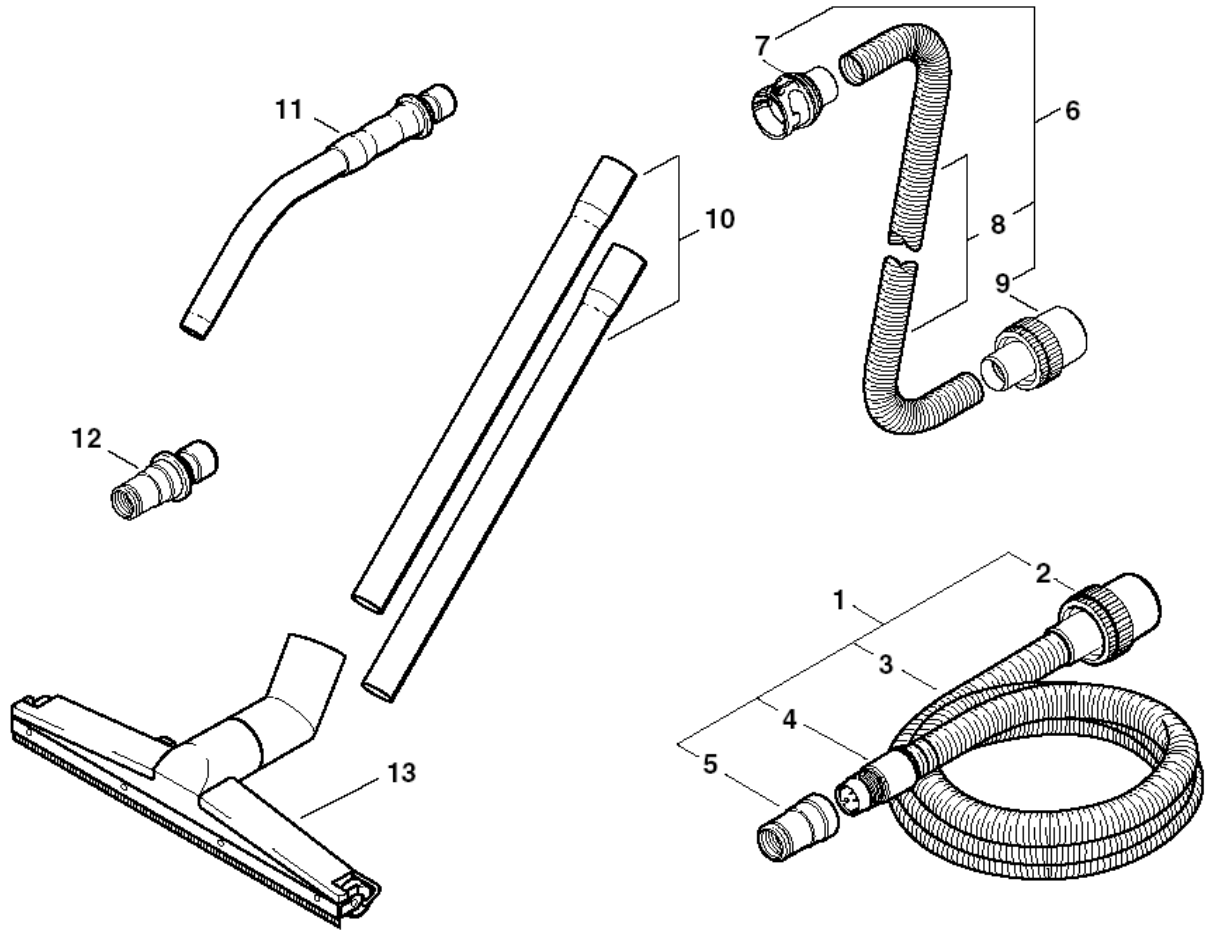
| Pos. | Artikel-Nr. | Menge | Variante | Notes |
|-------------|--------------------|--------------|-----------------------------------|--------------|
| 01 | 302001437 | 1 | Grundrahmen ATTIX 7 sc | |
| 02 | 107401077 | 2 | Radkit 200x50 2 Stk | |
| 03 | 3750 | 2 | Kappe | |
| 04 | 107401054 | 1 | Lenkrollen mit Bremse, VPE 2 Stck | |
| 05 | 302001706 | 1 | Griffschale Ober-u.Untert | |



| Pos. | Artikel-Nr. | Menge | Variante | Notes |
|------|-------------|-------|--|-------|
| 01 | 46948 | 1 | Saugschlauch, Ø 36 mmx3 m | |
| 02 | 11985 | 1 | Saugschlauch Ø 36 mmx1 m | |
| 03 | 15102 | 1 | Muffe Ø 36x50 mm | |
| 04 | 302001345 | 1 | Muffe Ø 36 mm | |
| 05 | 46691 | 1 | Handrohr gebog., Ø 36 mm, Edelstahl | |
| 05 | 302000528 | 1 | Handrohr, gebog., verchromt, Ø 36 mm | |
| 06 | 107406091 | 1 | Saugschlauch D27x3500 mit Werkzeugadapte | |
| 07 | 15369 | 1 | Muffe Ø 27x50 mm, antistatisch | |
| 08 | 15326 | 1 | Saugschlauch Ø 27 mmx1 m, Meterware | |
| 09 | 63509 | 1 | Muffe Ø 27 mm | [1] |
| 10 | 107404520 | 1 | Werkzeugadapter, Ø 27 mm/36-24 mm | |
| 11 | 5067 | 1 | Schrägrohrdüse Ø36mm | |

Part Notes:

[1] - STOCK COVERS GUARANTEE



| Pos. | Artikel-Nr. | Menge | Variante | Notes |
|------|-------------|-------|--|-------|
| 1 | 107406091 | 1 | Saugschlauch D27x3500 mit Werkzeugadapte | |
| 2 | 15369 | 1 | Muffe Ø 27x50 mm, antistatisch | |
| 3 | 15326 | 1 | Saugschlauch Ø 27 mmx1 m, Meterware | |
| 4 | 63509 | 1 | Muffe Ø 27 mm | [1] |
| 5 | 107404520 | 1 | Werkzeugadapter, Ø 27 mm/36-24 mm | |
| 6 | 302001682 | 1 | Saugschlauch, antistatisch, Ø 36 mmx5 m | |
| 7 | 302001345 | 1 | Muffe Ø 36 mm | |
| 8 | 15312 | 1 | Schlauch, Ø 36 mm, Meterware | |
| 9 | 15102 | 1 | Muffe Ø 36x50 mm | |
| 10 | 107408074 | 1 | Verlängerungsrohr Ø 36x505 mm, VPE 2 | |
| 11 | 46691 | 1 | Handrohr gebog., Ø 36 mm, Edelstahl | |
| 12 | 302000535 | 1 | Werkzeugadapter, Quicksystem, Ø 27 mm | |
| 13 | 15348 | 1 | Großraumbodendüse Ø 36x450 mm | |

Part Notes:

[1] - STOCK COVERS GUARANTEE

