

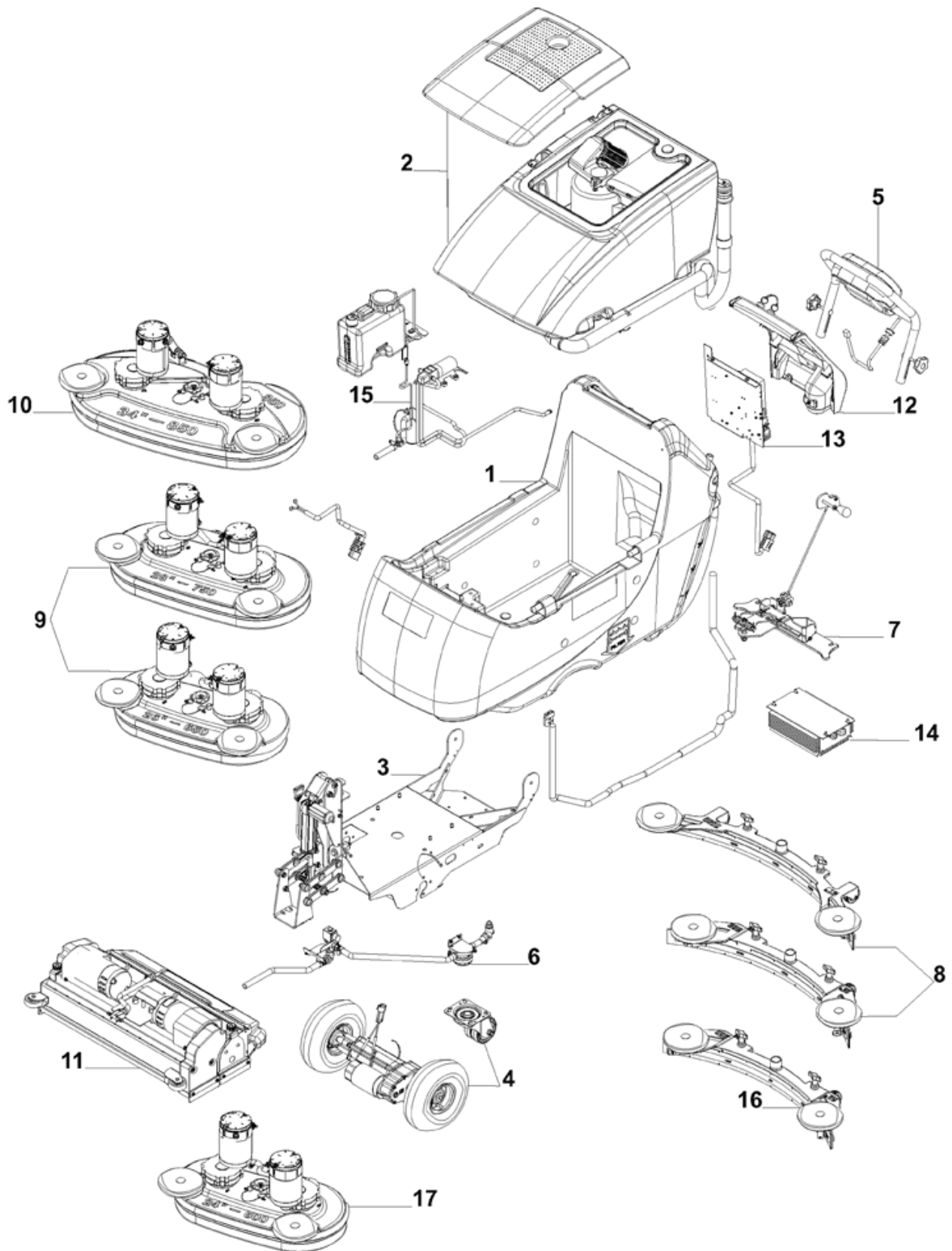
PARTS LIST



2020.11.12

TABLE OF CONTENTS

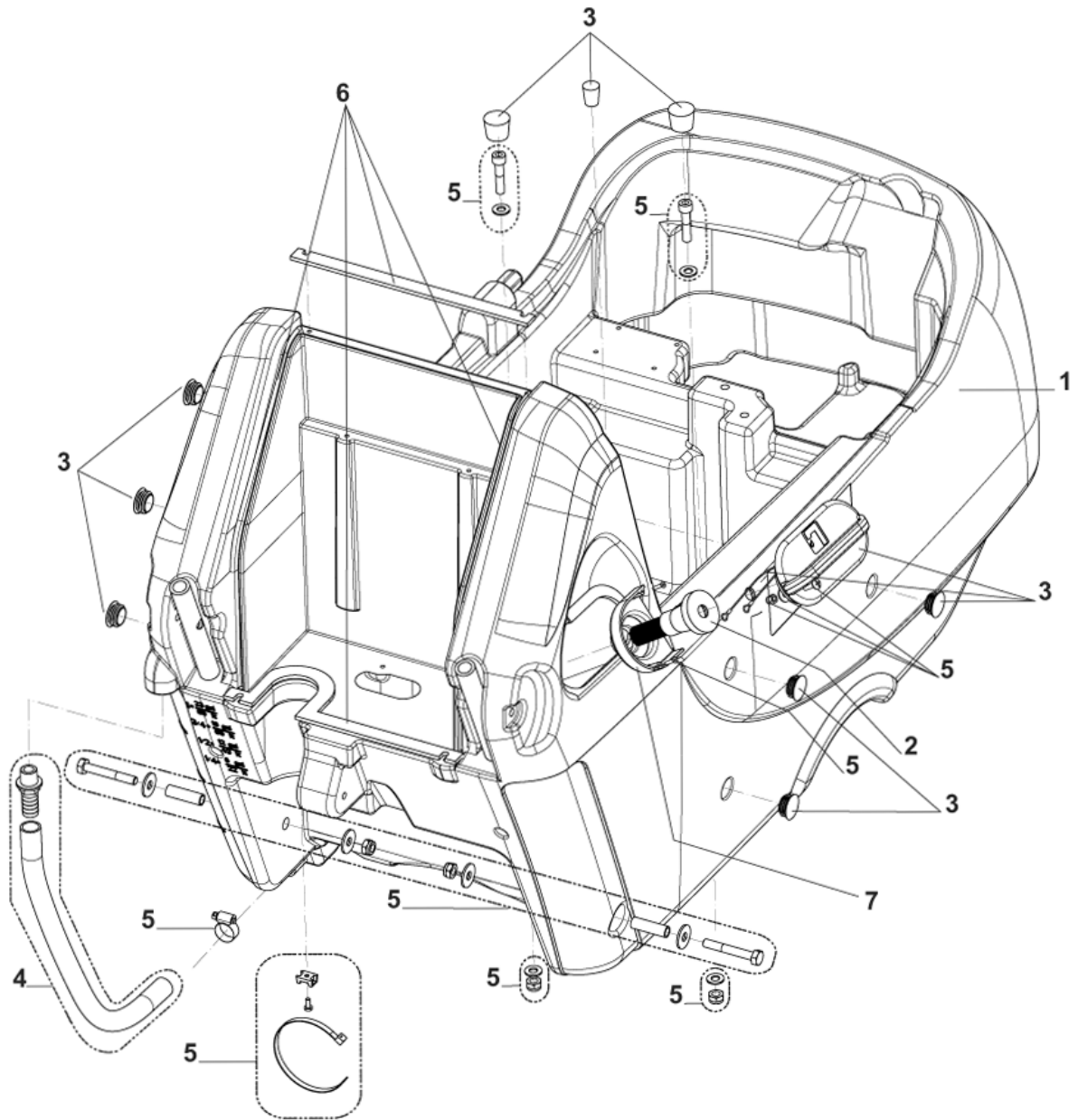
General view	1
Solution tank	3
Recovery tank	5
Chassis system	7
Wheels and drive	9
Handle assembly	11
Solution system	13
Squeegee holder	15
Squeegee systems	17
Bürstensystem - BA 651 - BA 751	19
Bürstensystem - BA 851	21
Cylindrical brushes system	23
Control panel system	25
Electrical components	27
Battery charger	29
Zubehör- EDS System	31
Zubehör - Sauglippensystem 850mm/33"	33
Zubehör- Bürstendeck 600mm/24"	35
Zubehör - Bürsten - Pads - Sauglippenset	37
Recommended spare parts	39
General list of accessories	41
9100002987 - MOP AND TRASH KIT	44



Pos.	Artikel-Nr.	Menge	Variante	Notes
1		1	SOLUTION TANK	[1]
2		1	RECOVERY TANK	[2]
3		1	CHASSIS SYSTEM	[3]
4		1	WHEELS AND DRIVE	[4]
5		1	HANDLE ASSEMBLY	[5]
6		1	SOLUTION SYSTEM	[6]
7		1	SQUEEGEE HOLDER	[7]
8		1	SQUEEGEE SYSTEMS	[8]
9		1	BRUSHES SYSTEMS BA 651 - BA 751	[9]
10		1	BRUSHES SYSTEM BA 851	[10]
11		1	CYL. BRUSHES SYSTEM	[11]
12		1	CONTROL PANEL SYSTEM	[12]
13		1	ELECTRICAL COMPONENTS	[13]
14		1	BATTERY CHARGER	[14]
15		1	ACCESSORIES - ECOFLEX SYSTEM	[15]
16		1	ACCESSORIES - SQUEEGEE SYSTEM 840MM/33"	[16]
17		1	ACCESSORIES - BRUSH DECK 600MM/24"	[17]

Part Notes:

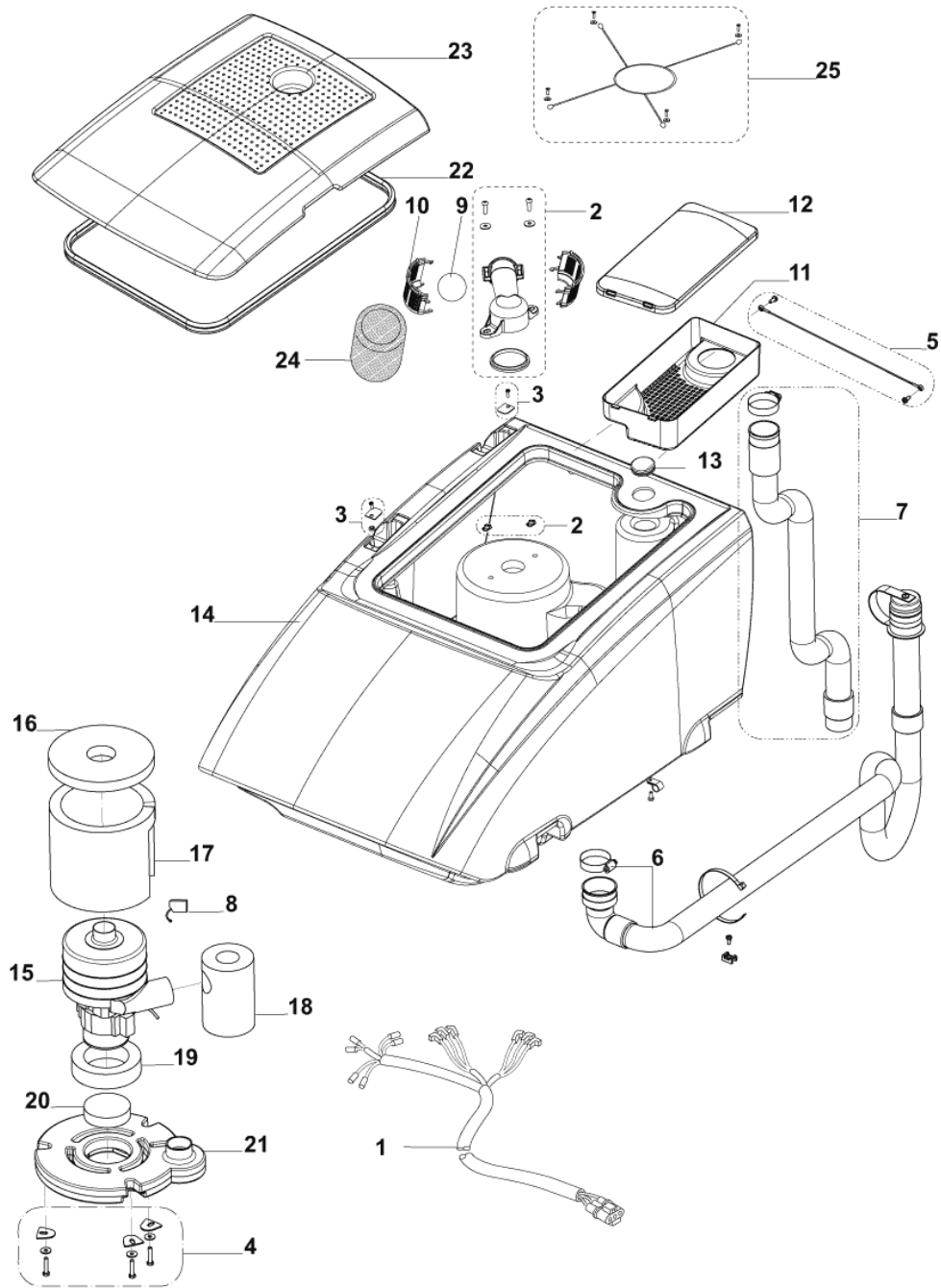
- [1] - Solution tank
- [2] - Recovery tank
- [3] - Chassis system
- [4] - Wheels and drive
- [5] - Handle assembly
- [6] - Solution system
- [7] - Squeegee holder
- [8] - Squeegee systems
- [9] - Brushes systems BA 651 - BA 751
- [10] - Brushes system BA 851
- [11] - Cylindrical brushes system
- [12] - Control panel system
- [13] - Electrical components
- [14] - Battery charger
- [15] - Accessory - EcoFlex system
- [16] - Accessory - Squeegee system 840mm/33"
- [17] - Accessory - Brush deck 600mm/24"



Pos.	Artikel-Nr.	Menge	Variante	Notes
1	9097202000	1	Tank 85 Liter	
2	9100000703	1	Füllschlauch	[1]
3	9097616000	1	Verschlusskappen Kit	
4	9097617000	1	Schlauchkit	
5	9097614000	1	BefestigungsKit Tank	
6	9097615000	1	Dichtungssatz f. Tank	
7	9097406000	1	Halter f. Befüllschlauch	
8	9098566000	1	Befestigungs - Kit	[2]

Part Notes:

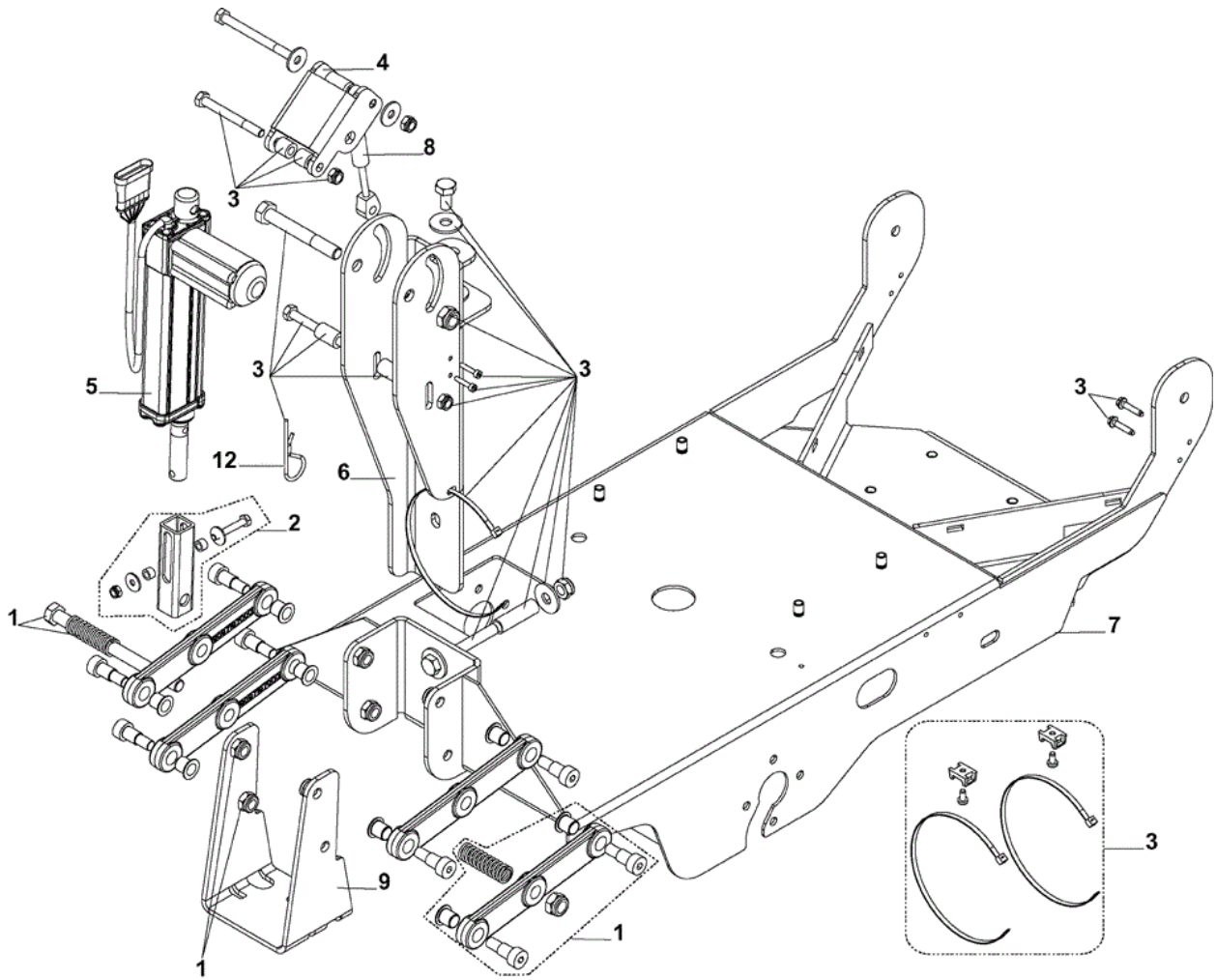
- [1] - SEE TSB-FC-2016-020
[2] - NOT SHOWN - SEE TSB IT 2009-029 - SEE INST. INSTR. 9098567000



Pos.	Artikel-Nr.	Menge	Variante	Notes
1	9097557000	1	Kabel f. Saugmotor	
2	9100001875	1	SUPPORT FLOAT KIT	[1]
3	9098714000	1	FIXING TANK KIT	
4	909 6877 000	1	Motor BefestigungsKit	
5	909 6874 000	1	CABLE TANK KIT	
6	9100001888	1	HOSE DRAIN L.1556MM 90 BLACK KIT	
7	9099853000	1	Schlauch für Absaugleiste	
8	9097653000	2	Kohlebürste	
9	9100000817	1	BALL FLOATING PKD	
10	9100000818	1	CAGE FLOAT HALF 2 PCS SET	
11	9097384000	1	Tankfilter OberteilBA 751	
12	9097477000	1	Tankfilter BA 751	
13	1466138000	1	CAP BLACK PPL DE 42X11.5 PKD	
14	9097203000	1	Schmutzwassertank	
15	9100001706	1	HIGH POWER VAC 570W KIT	[2]
15	9099929000	1	SAUGMOTOR 3ST 24V 420W KOMPLETT	
16	9096918000	1	Dichtung f. Motor	
17	909 6491 000	1	Panel, schalldämpfend	
18	909 6442 000	1	Geräuschdämmung f.	
19	9097555000	1	Dichtung	
20	909 6672 000	1	Filter	
21	9100001246	1	COVER VACUUM MOTOR PKD	
22	146 0630 000	1	Dichtung L= 1800	
23	9097204000	1	Abdeckung f. Tank	
24	909 5065 000	1	Filter antischaum	[3]
25	909 6734 000	1	Haltenetz	[4]
26	909 6876 000	1	BefestigungsKit	[5]

Part Notes:

- [1] - SEE INST. INSTR. 9100001876
- [2] - OPTIONAL - SEE INST. INSTR. 9100001707
- [3] - OPTIONAL - SEE TSB IT 2008-002
- [4] - OPTIONAL
- [5] - due to ODM/ECN 2810 should have been considered valid for all
- Machine configurations which were using it ONLY Before Serial Number 081813772 (Beginning of May 2008).
GUARANTEE DATE EXPIRED
- NOT SHOWN - FOR OLD CAGE SUPPORT

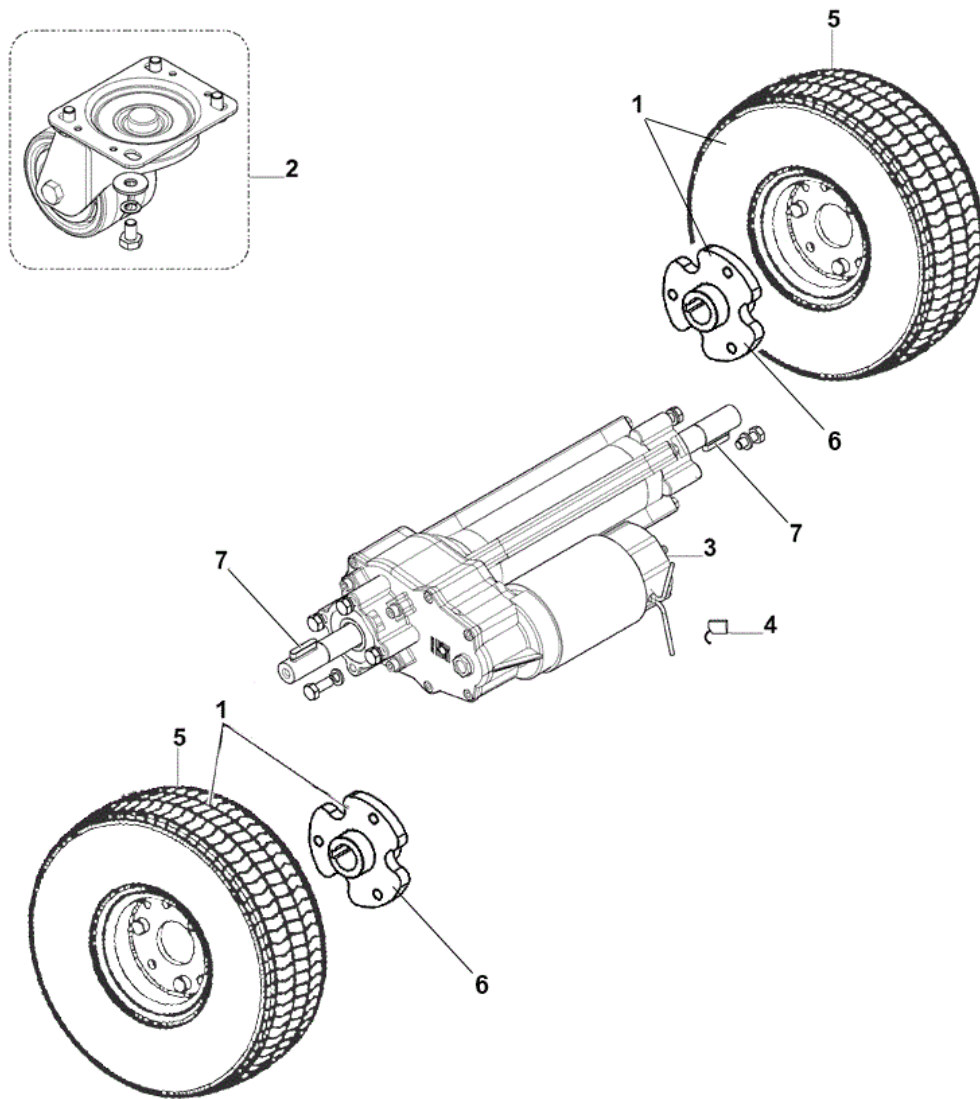


Pos.	Artikel-Nr.	Menge	Variante	Notes
1	9097655000	4	Befestigung f. Hebel	
2	9097656000	1	Motorbefestigung	
3	9097657000	1	Chassis BefestigungsKit	
4	9097456000	1	Hebel	
5	9100000680	1	ACTUATOR LINEAR 24V DC STRK 100MM PKD	
6	9097368000	1	Hubunterstützung	
7	9097364000	1	Chasis zu BA 751	
8	909 5637 000	1	Gasdruckfeder BA 410	
9	9097352000	1	SUPPORT BRUSH DECK	
10	9098566000	1	Befestigungs - Kit	[1]
11	9100000335	1	Befestigungs Set, antistatisch	[2]
12	1467005000	1	PIN SPLIT 4X25 UNI1336 10 PCS SET	

Part Notes:

[1] - NOT SHOWN - SEE INST. INSTR. 9098567000

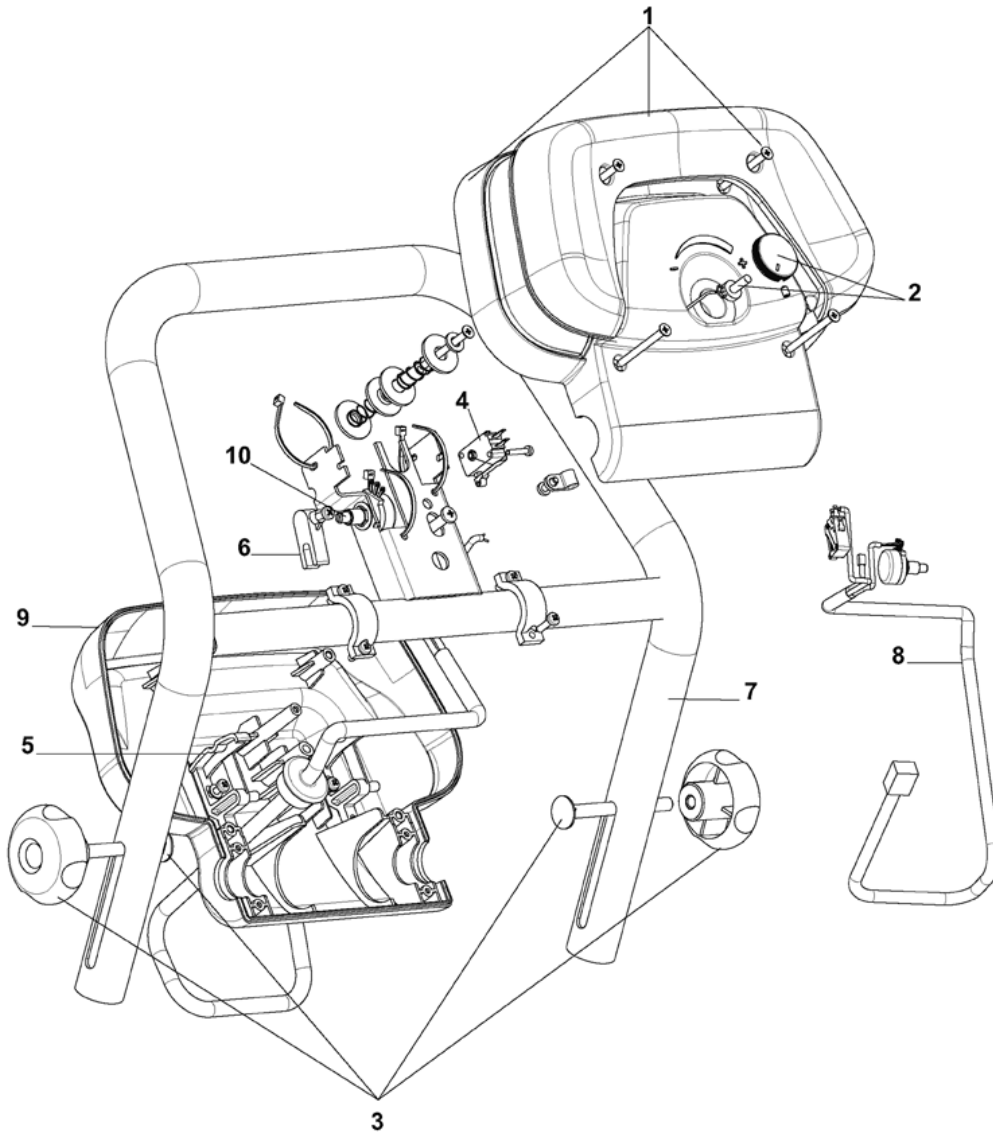
[2] - NOT SHOWN



Pos.	Artikel-Nr.	Menge	Variante	Notes
1	9100002121	1	WHEELS FOAMED KIT	[1]
2	9097621000	1	Hinterrad Kit schwenkbarBA 851	[2]
2	909 5511 000	1	Schwenkrad, hinten	[3]
3	9097363000	1	Fahrmotor 330 W 24V	
4	1464434000	1	Kohlebürsten 2Stück	
5	56112109	2	Reifen	[4]
6	9100002122	2	Radnabe	[4]
7	9100001156	1	KEY JOINT 6X30 UNI6604A 10 PCS SET	

Part Notes:

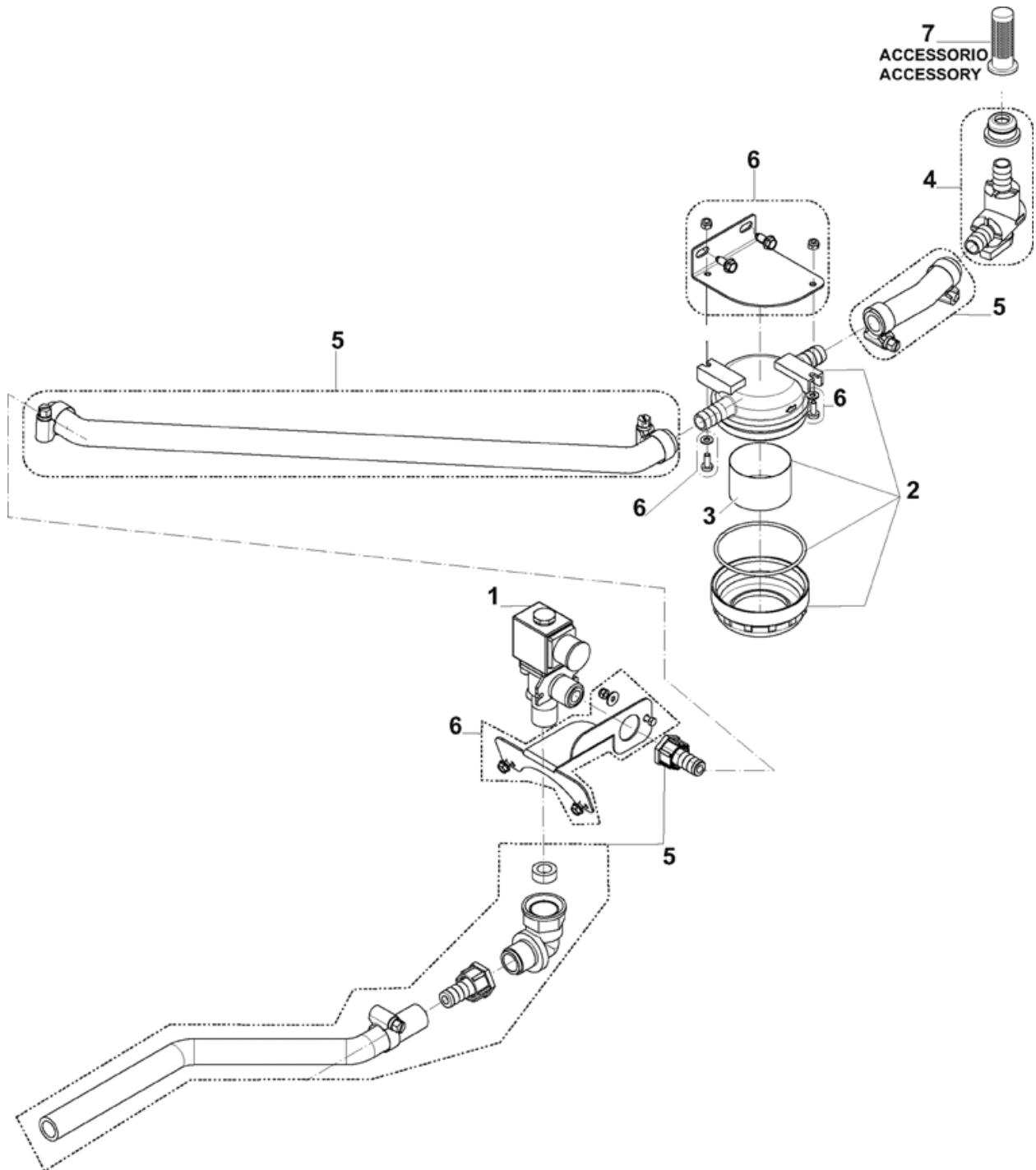
- [1] - TWO WHEEL INCLUDED
UNTIL S/N 3510170304453
- [2] - HARDWARE INCLUDED
- [3] - OPTIONAL - SINGLE WHEEL CASTOR
- [4] - AVAILABLE FROM S/N 3510170304454



Pos.	Artikel-Nr.	Menge	Variante	Notes
1	9097622000	1	Schaltergehäuse BA 611	[1]
2	9097623000	1	Potentiometer Kit	
3	9097624000	1	Handgriff Befestigungs-	
4	9100000792	1	MICROSWITCH 16A 250V PKD	
5	L08812282	2	Nockensteuerung /Microschzu BA 650/S	
6	909 6038 000	1	Potentiometergestänge	
7	9097377000	1	Griff	
8	9100001014	1	HARNESS HANDLE BAR DRIVE PKD	
9	9098792000	1	Gehäuseunterteil Kit	[2]
10	9100001062	1	POTENTIOMETER 5K 40 PKD	
11	9097625000	1	BefestigungsKit	[3]
12	909 6544 000	1	Verkabelung Potentiometerzu BA 451	[3]

Part Notes:

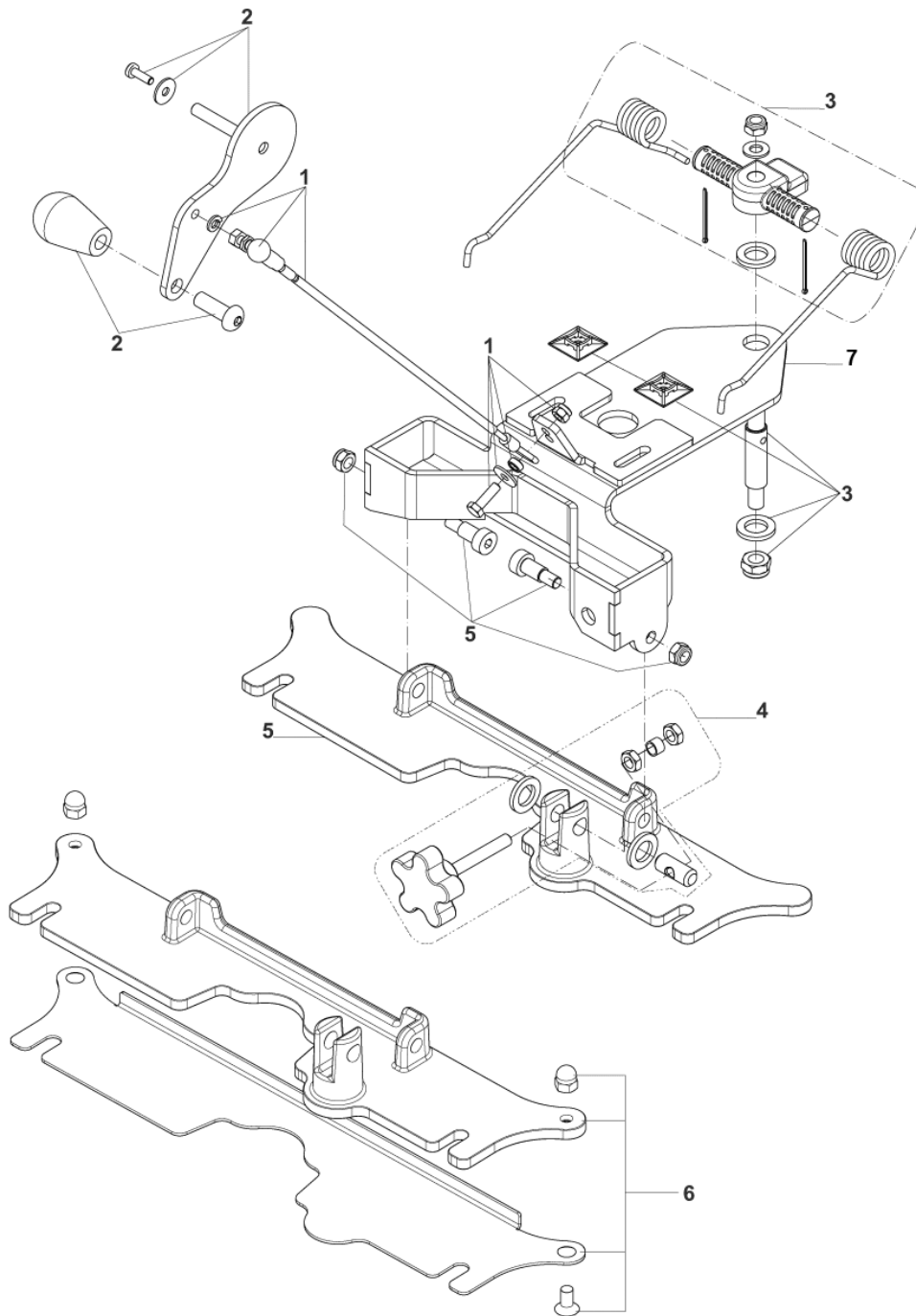
- [1] - INCLUDED POS 1 AND 9
- [2] - SEE TSB IT 2010-60
- [3] - NOT SHOWN



Pos.	Artikel-Nr.	Menge	Variante	Notes
1	909 6555 000	1	Magnetventil 24 V	
2	9100000860	1	Wasserfilter	
3	9100000861	1	NET WATER FILTER REINFORCED PKD	
4	9097626000	1	Winkelventilkit	
5	9097627000	1	Abwasserschlauch-Kit	
6	9097628000	1	Halter-Kit Frischwaaser-	
7	9100001353	1	FILTER SOLUTION TANK PKD	[1]

Part Notes:

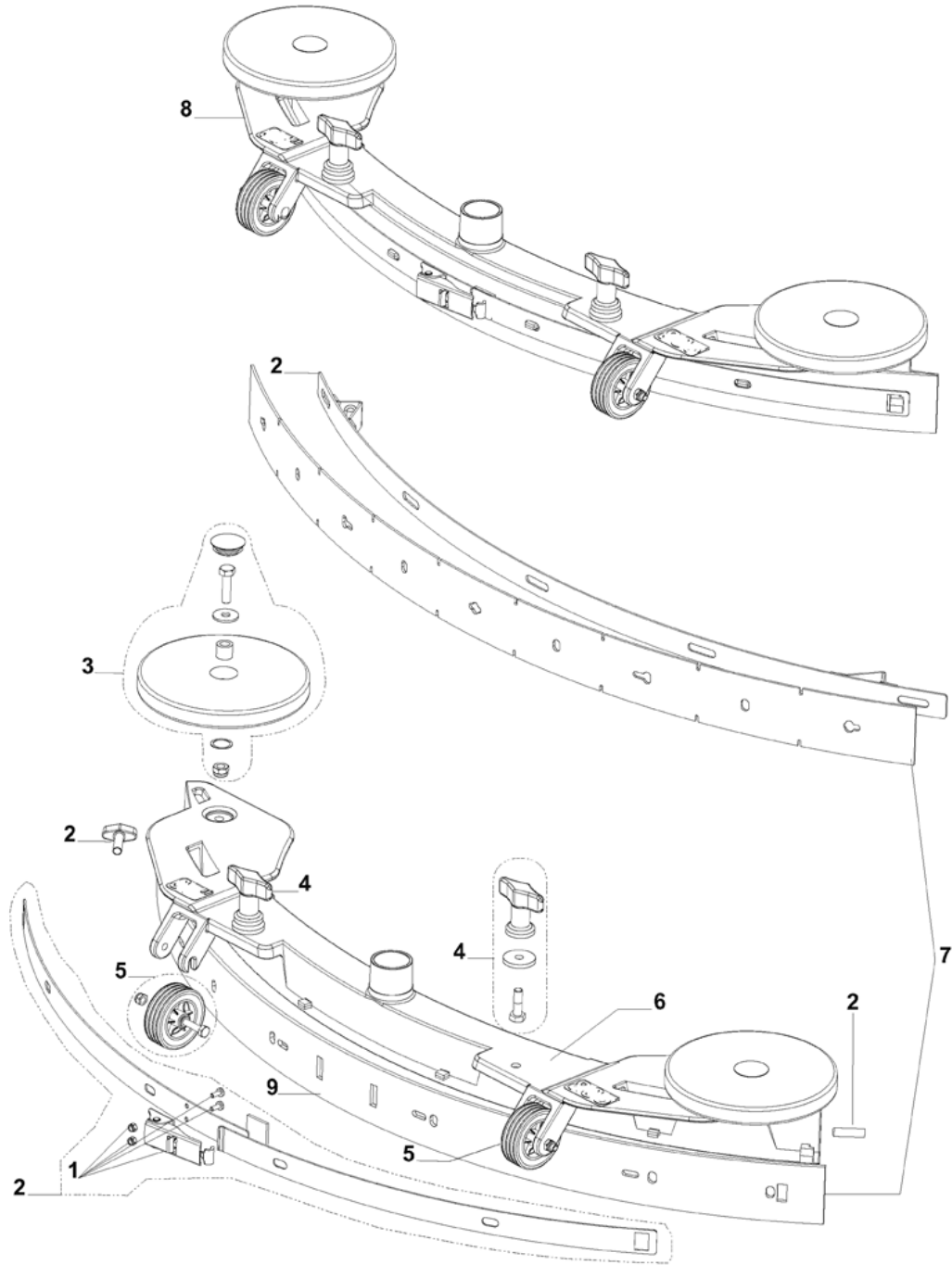
[1] - OPTIONAL



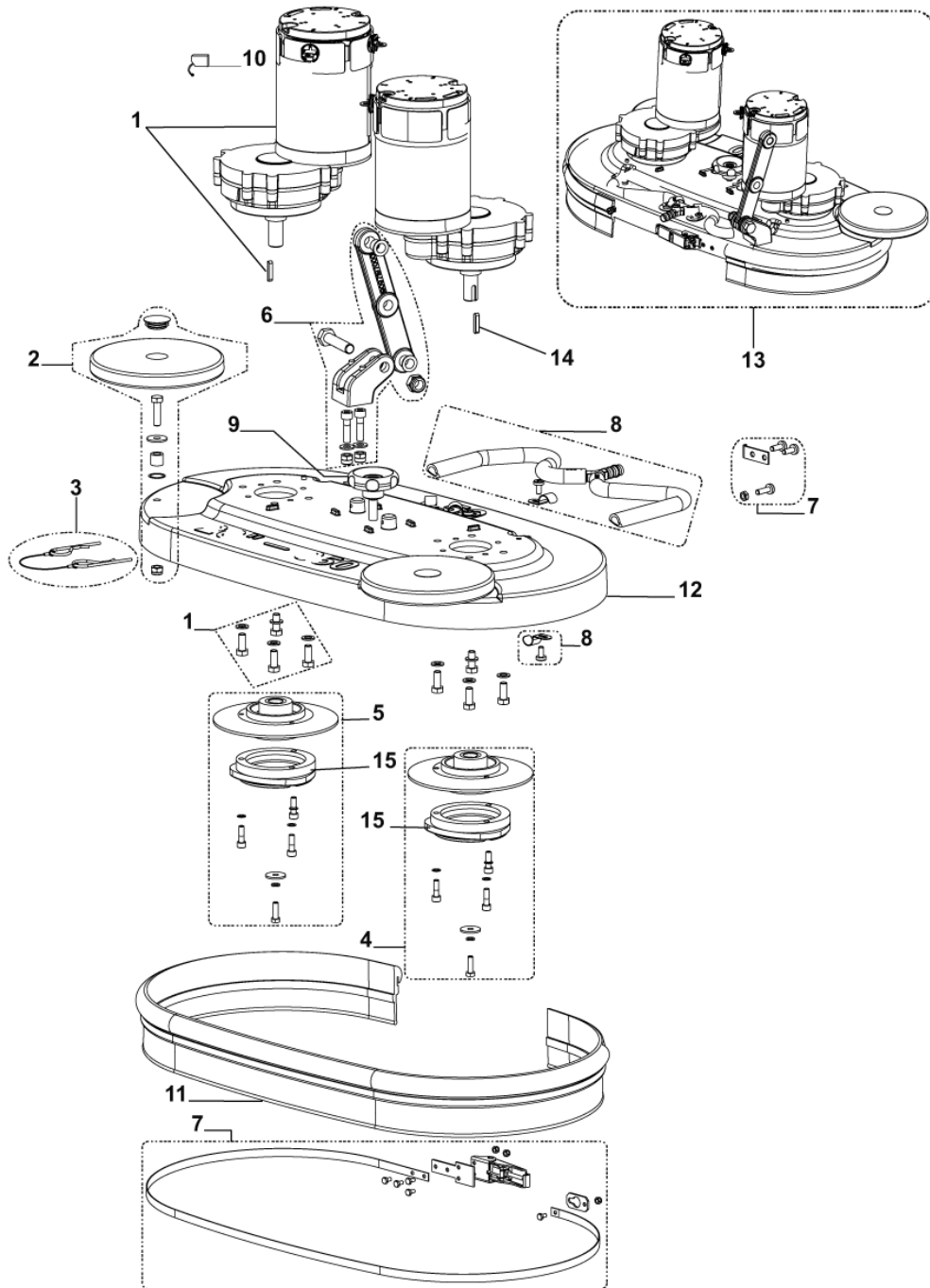
Pos.	Artikel-Nr.	Menge	Variante	Notes
1	9097629000	1	Lifting Kit	
2	9097630000	1	Hebel Saugfussanhebungzu BA 451	
3	9097631000	1	HARDWARE SQUEEGEE KIT	
4	9097632000	1	Befestigungs-Kit	
5	9097633000	1	Halter Spritzgummi	
6	9098912000	1	Aufnahme f. Absaugleiste	[1]
7	9100001737	1	SUPPORT MET. GREY F SQUEEGEE PKD	

Part Notes:

[1] - FOR BA 851 - STARTING FROM S/N 104824209 - SEE TSB IT 2010-062



Pos.	Artikel-Nr.	Menge	Variante	Notes
1	909 6394 000	1	Verschluss BA 451	
2	9097635000	1	Befestigungskit f.	
2	9097636000	1	Befestigungskit f.	
3	909 6887 000	2	Abweisrollenkit	
4	9097637000	1	Befestigungskit BA 551	
5	909 6883 000	1	Stützrad zu BA 451	
6	9097199000	1	Absaugleistenkit 890mm	
6	9097200000	1	WELDMENT SQUEEGEE TOOL 1040M	
7	9100000281	1	Sauglippen Set, 890 mm, 35"	
7	9100000282	1	Sauglippen-Set, 1040 mm, 41"	
8	9097540000	1	Absaugleiste kpl. ALU 890mm/35"	
8	9097541000	1	Absaugleiste kpl. Alu.	
9	9100000281	1	Sauglippen Set, 890 mm, 35"	
9	9097372000	1	Sauglippe hinten, Gummi, 1040 mm, 41"	



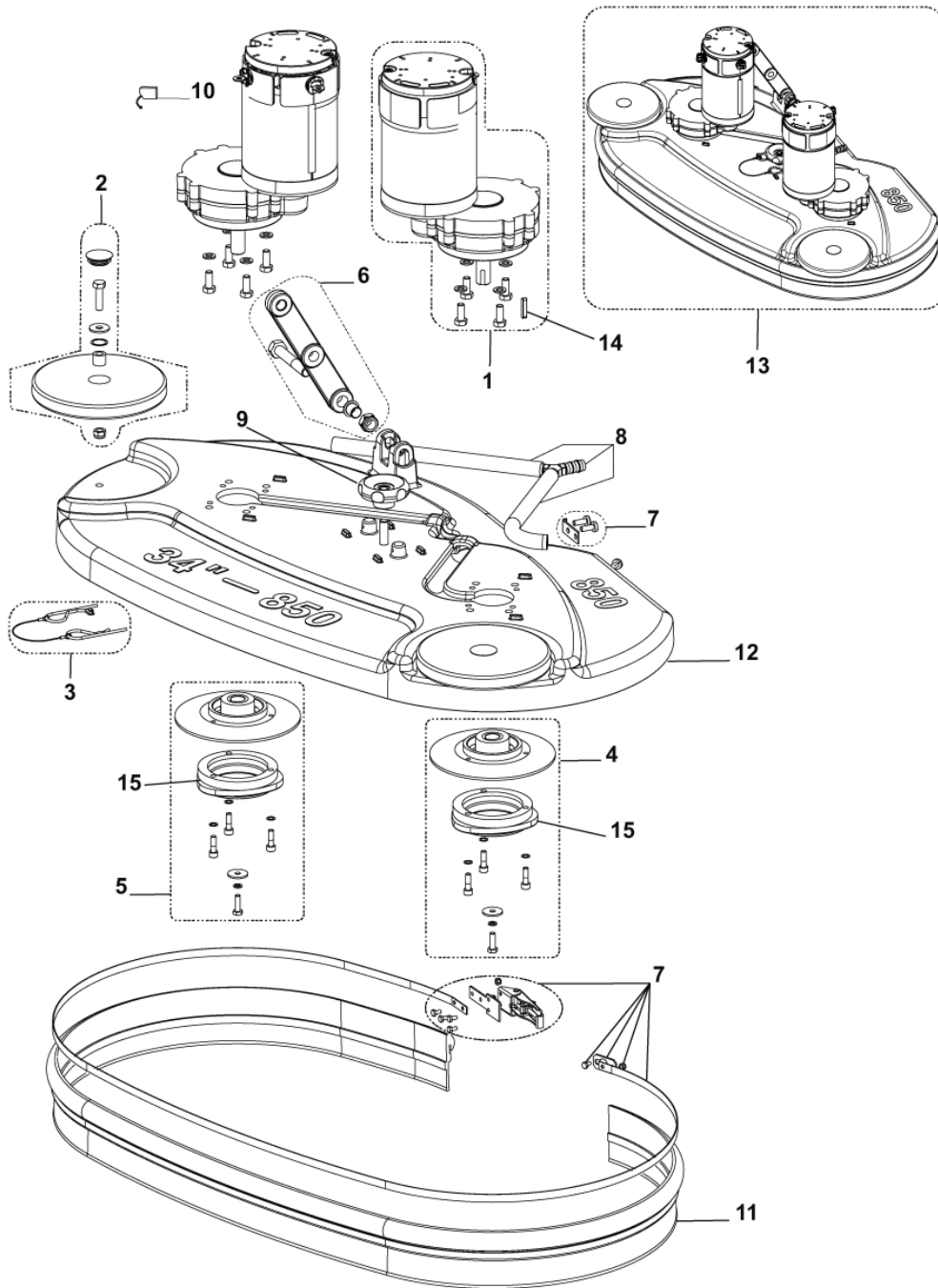
Pos.	Artikel-Nr.	Menge	Variante	Notes
1	9099546000	2	Bürstenmotor 24V 400W	[1]
2	909 6887 000	2	Abweisrollenkit	
3	909 6354 000	1	Kabel mit 2 Splint	
4	9097640000	1	Bürstenhalter Kompl. Re.	
5	9097640000	1	Bürstenhalter Kompl. Re.	
6	9097641000	1	Befestigungskit	
7	909 5398 000	1	Spritzgummihalterungs-KitBA 600S / BA 65	[2]
7	909 5407 000	1	Spritzgummihalterungs-KitBA 750S	[3]
8	9097644000	1	Schlauch	
8	9097645000	1	Wasserschlauch	
9	146 1037 000	1	Drehknopf	
10	9098376000	2	CARBON BRUSHES KIT 4 PCS	[4]
10	909 5380 000	2	Kohlebürste Kit	[5]
11	909 5224 000	1	Spritzgummi	[6]
11	909 5345 000	1	Spritzgummi BA 750L=1600mm	[3]
11	9097474000	1	Spritzschutz	[7]
11	9097475000	1	Spritzgummi mit Borsten	[8]
12	9099414000	1	DECK BRUSH 650MM	
12	9099415000	1	DECK BRUSH 750MM	
13	9097610000	1	Bürstendeck-Set 650 mm, 26"	[9]
13	9097611000	1	Bürstendeck 750mm / 28 - zu BA 751	[10]
14	1466146000	2	KEY 5X5X25 UNI6604A PKD	
15	L08812480	2	Polygonaufnahme	
16	9097410000	1	Kabelbaum	[11]

Part Notes:

- [1] - STARTING FROM S/N 3510124902357
- [2] - FOR BA 651
- [3] - FOR BA 751
- [4] - For AMER MRP6 Motor - REF. 9099546000
- [5] - STOCK COVERS GUARANTEE
Fro LEROY SOMER MBT 1141S Motor- REF. 9097638000 - BEFORE S/N 3510124902357
- [6] - ForBA 651
- [7] - OPTIONAL - FOR BA 651
- [8] - OPTIONAL - FOR BA 751
- [9] - COMPLEXITY REDUCTION

- [10] - SEE INST.INSTR. 9097695000
COMPLEXITY REDUCTION

- [11] - SEE INST.INSTR. 9097695000
NOT SHOWN

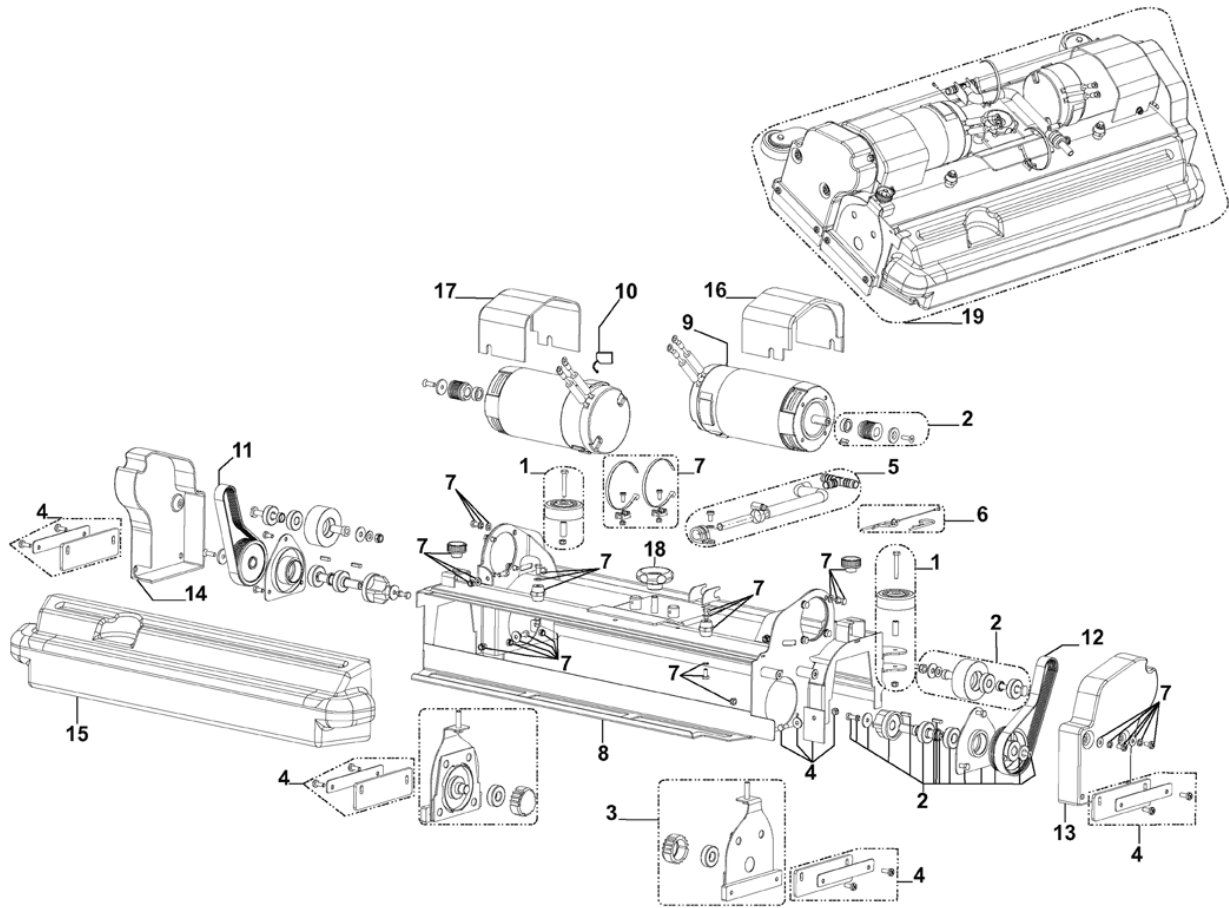


Pos.	Artikel-Nr.	Menge	Variante	Notes
1	9100001657	2	REDUCTION GEARMOTOR 400W 24V KIT	[1]
2	909 6887 000	2	Abweisrollenkit	
3	909 6354 000	1	Kabel mit 2 Splint	
4	9097640000	1	Bürstenhalter Kompl. Re.	
5	9097640000	1	Bürstenhalter Kompl. Re.	
6	9097642000	1	LEVER FIXING KIT 850	
7	9097643000	1	SPLASH GUARD FIXING KIT	
8	9097646000	1	Frischwasserschlauchkit	
9	146 1037 000	1	Drehknopf	
10	L08603949	2	Kohlenbürsten Kit 4pcs	[2]
10	9100000421	2	CARBON BRUSHES W/HOLDER KIT	[3]
10	909 5380 000	2	Kohlebürste Kit	[4]
11	9097476000	1	SPLASH GUARD W/BRISTLES	
11	9097471000	1	Deckgummi 850mm/34	
12	9097201000	1	Bürstenabdeckung	
13	9097612000	1	Bürstendeck-Set 850 mm, 34"	[5]
14	1466147000	2	KEY 5X5X20 UNI6604A PKD	
15	L08812480	2	Polygonaufnahme	
16	9097410000	1	Kabelbaum	[6]

Part Notes:

- [1] - SEE TSB-FC-2015-034
- [2] - For AMER MRP6 Motor - REF. 9100001657
- [3] - STOCK COVERS GUARANTEE
For LEROY SOMER MBT 1101 S Motor - REF. 9100000309
- [4] - STOCK COVERS GUARANTEE
For LEROY SOMER MBT 1141 S Motor -REF. 9097638000
- [5] - COMPLEXITY REDUCTION

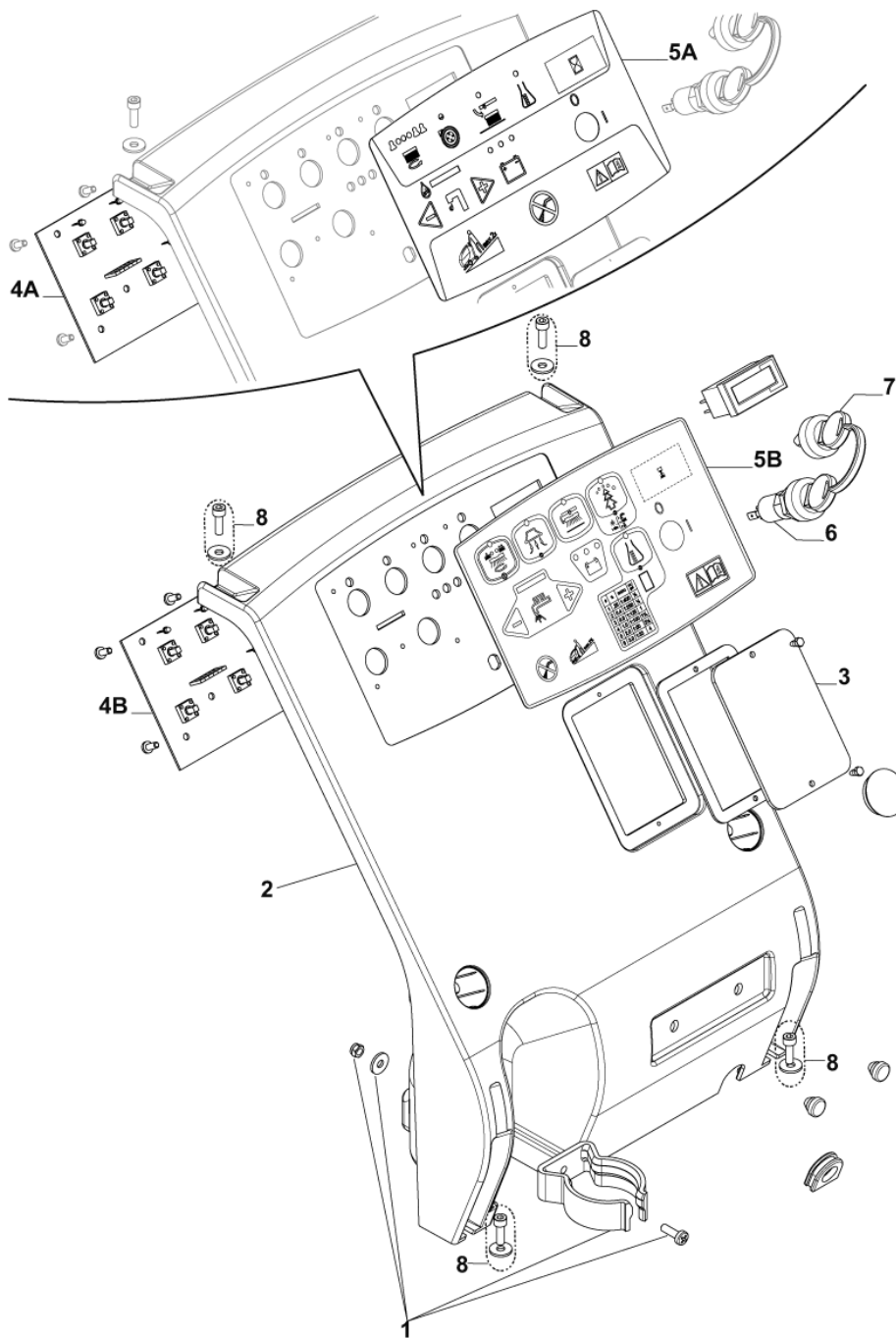
SEE INST.INSTR. 9097695000
- [6] - NOT SHOWN



Pos.	Artikel-Nr.	Menge	Variante	Notes
1	9098488000	1	ROLLERS BUMPERS KIT	
2	9097658000	2	Riemenrollenkit	
3	9097659000	2	Bürstenhalter Kit	
4	9097660000	1	Seiten Gummi zu BA 751C	
5	9097661000	1	HOSE WATER KIT	
6	909 6354 000	1	Kabel mit 2 Splint	
7	9097662000	1	Befestigungs-Kit	
8	909 5751 000	1	FRAME CYLINDRICAL DECK 750	
9	9099858000	2	MOTOR ELECTRIC 600W 24V KIT	
10	L08603949	2	Kohlenbürsten Kit 4pcs	
11	909 6731 000	1	Riemen Poly-V BR 601	
12	909 5761 000	1	Rillenriemen 11J04838BA 600SC	
13	909 6785 000	1	CRANKCASE.BELT PROTECTIONRIGHT	
14	909 6786 000	1	CRANKCASE.BELT PROTECTIONLEFT	
15	909 6225 000	1	Grobschmutzbehälter BR751	
16	909 5802 000	1	Motorabdeckung BR 751	
17	909 5803 000	1	Motorschutzgehäuse	
18	146 1037 000	1	Drehknopf	
19	9097652000	1	Walzendeck 750mm /28°zu BA 751	[1]
20	9097472000	1	HARNESS CYLINDRICAL BRUSHDECK	[2]

Part Notes:

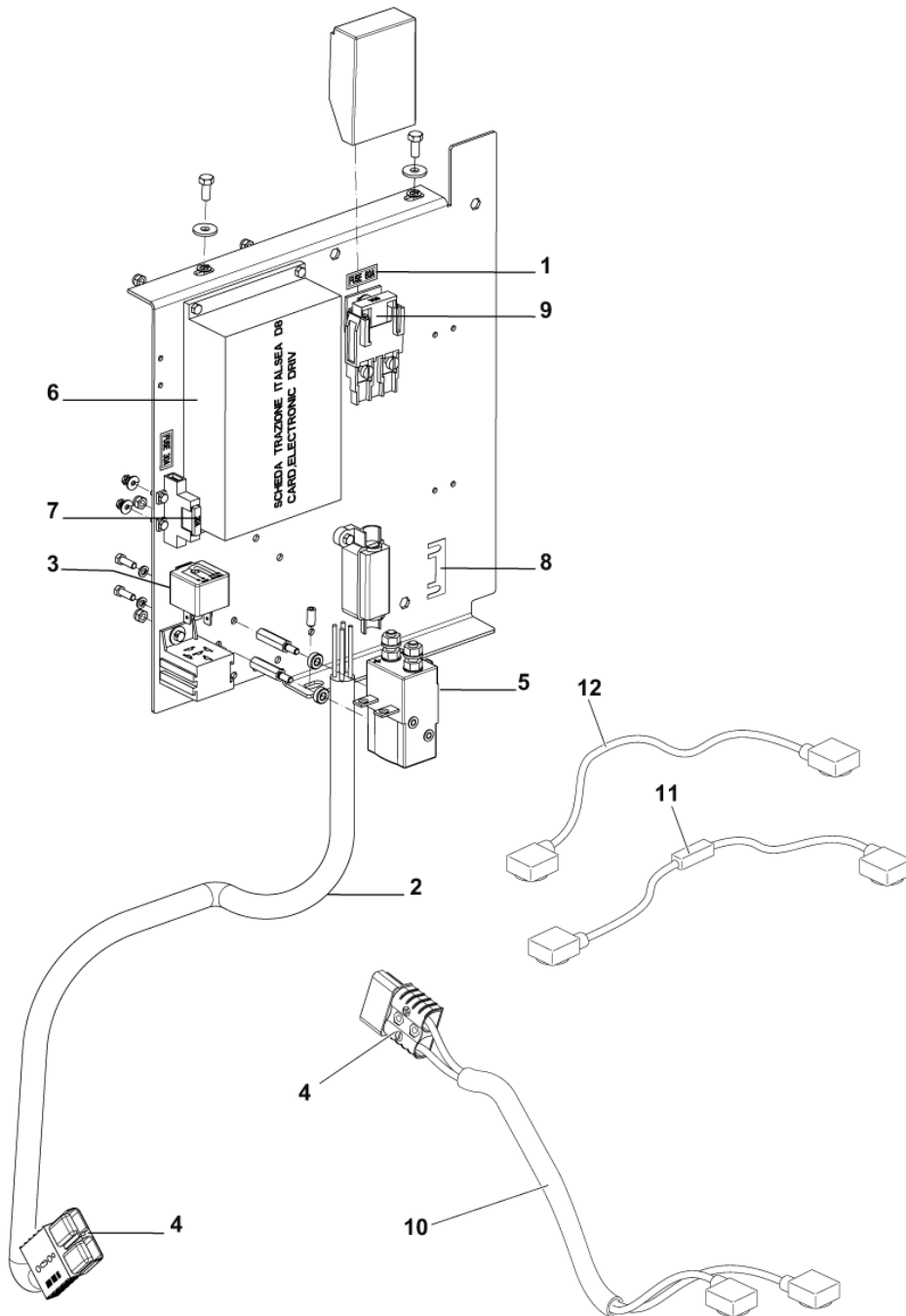
- [1] - COMPLEXITY REDUCTION
SEE INST.INSTR. 9097695000
- [2] - NOT SHOWN



Pos.	Artikel-Nr.	Menge	Variante	Notes
1	909 6380 000	1	Schlauchklammer BR 601BR 751	
2	9100001360	1	COVER GREY F ELECTRIC COMP. BOX PKD	
3	9100001065	1	COVER F INSPECTION PLATE BLACK PKD	
4A	9100000177	1	CARD ELECTRONIC FUNCTIONS KIT	[1]
4B	9100000180	1	CARD ELECTRONIC FUNCTIONS KIT	[2]
5A	9097382000	1	Kleber Panel	[3]
5B	9100001244	1	DECAL CONTROL PANEL ECOFLEX PKD	[4]
5A	9097479000	1	Kleber Systemsteuerung	[5]
5B	9100001245	1	DECAL CONTROL PANEL ECOFLEX PKD	[6]
6	9100001354	1	Schlüsselschalter komplett	
7	146 2887 000	1	Schlüssel (2 Stück)	
8	9100001891	1	HARDWARE CONTROL PANEL KIT	
9	9097403000	1	HARNESS KEY	[7]

Part Notes:

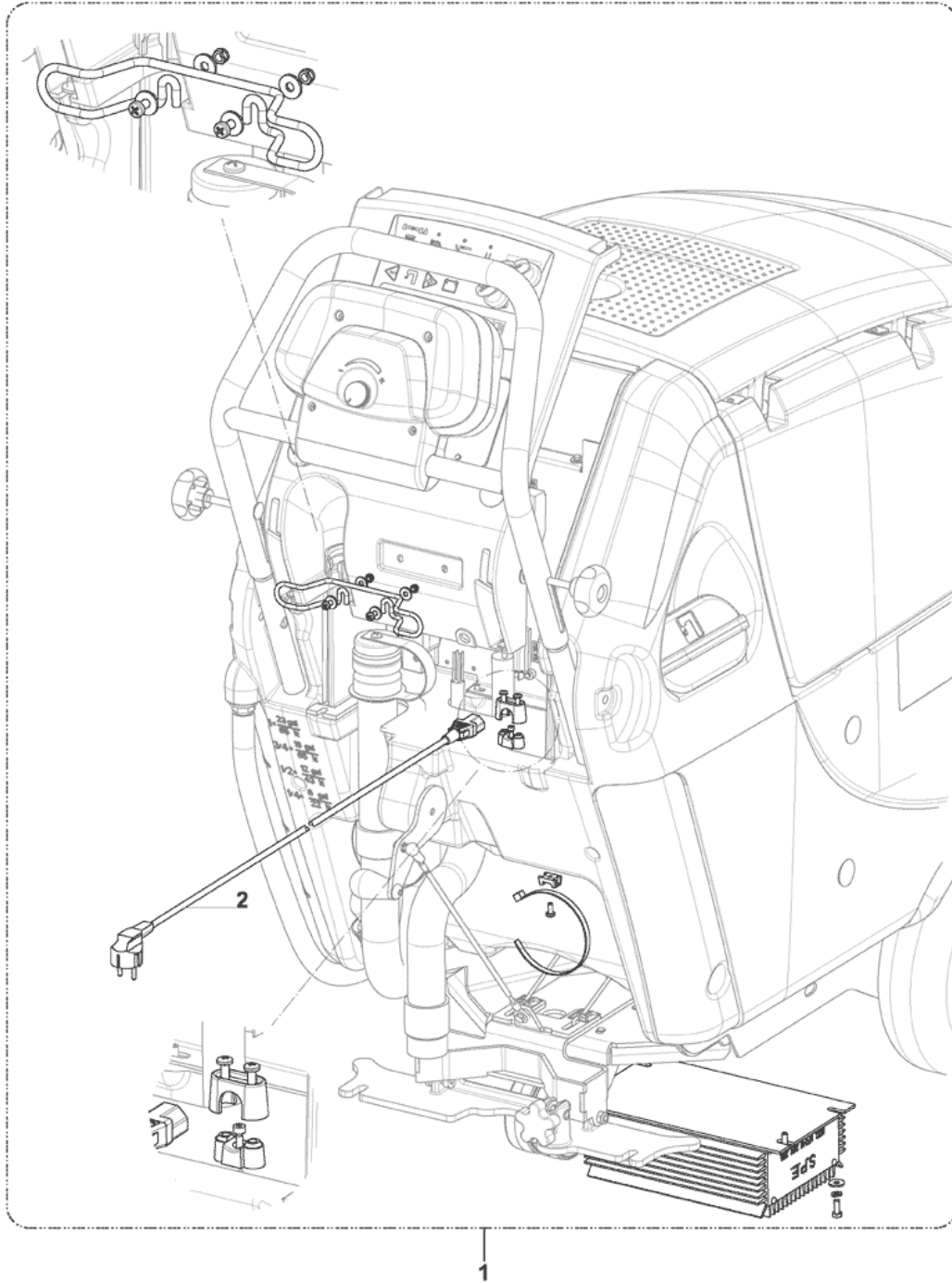
- [1] - VALID FOR MACHINE BA 651, BA 751, BA 851, BA 751C -UNTIL S/N 102214796 -ref. ECO 3707
- [2] - VALID FOR MACHINE BA 651, BA 751, BA 851, BA 751C-STARTING FROM S/N 102214797 -ref. ECO 3707 EcoFlex
- [3] - STOCK COVERS GUARANTEE
- VALID FOR MACHINE BA 651, BA 751, BA 851-UNTIL S/N 102214796 -ref. ECO 3707
- [4] - VALID FOR MACHINE BA 651, BA 751, BA 851 -STARTING FROM S/N 102214797 - ref. ECO 3707 EcoFlex
- [5] - NO LONGER AVAILABLE
VALID FOR MACHINE BA 751C- UNTIL S/N 102214796 - ref. ECO 3707
- [6] - VALID FOR MACHINE BA 751C -STARTING FROM S/N 102214797 - ref. ECO 3707 ecoFlex
- [7] - NOT SHOWN



Pos.	Artikel-Nr.	Menge	Variante	Notes
1	9097650000	1	Dekor-Kit EDS	
2	9097408000	1	Kabelbaum	
3	909 6622 000	1	Relais 24 V 40 A	
4	9100002117	2	CONNECTOR RED 120A PKD	
5	909 5127 000	1	Relais 24 V	
6	9100000189	1	CARD ELECTRONIC TRACTION KIT	
6	1466207000	1	PROGRAMMER F ELECTRONIC CARDS PKD	[1]
7	145 8513 000	1	FUSE BLADE 30A UL	
8	145 9854 000	1	Sicherung 50A	
9	909 6218 000	1	Sicherung 60 A	
10	9100001951	1	HARNESS BATTERY KIT	
11	9098526000	1	Bastteriekabel	
12	9097590000	1	Batterieverbundungskabel	
13	L08812670	4	Batterieverspannung	[2]
14	9097472000	1	HARNESS CYLINDRICAL BRUSHDECK	[2]
15	9097410000	1	Kabelbaum	[2]
16	9097407000	1	Kabelbaum	[2]

Part Notes:

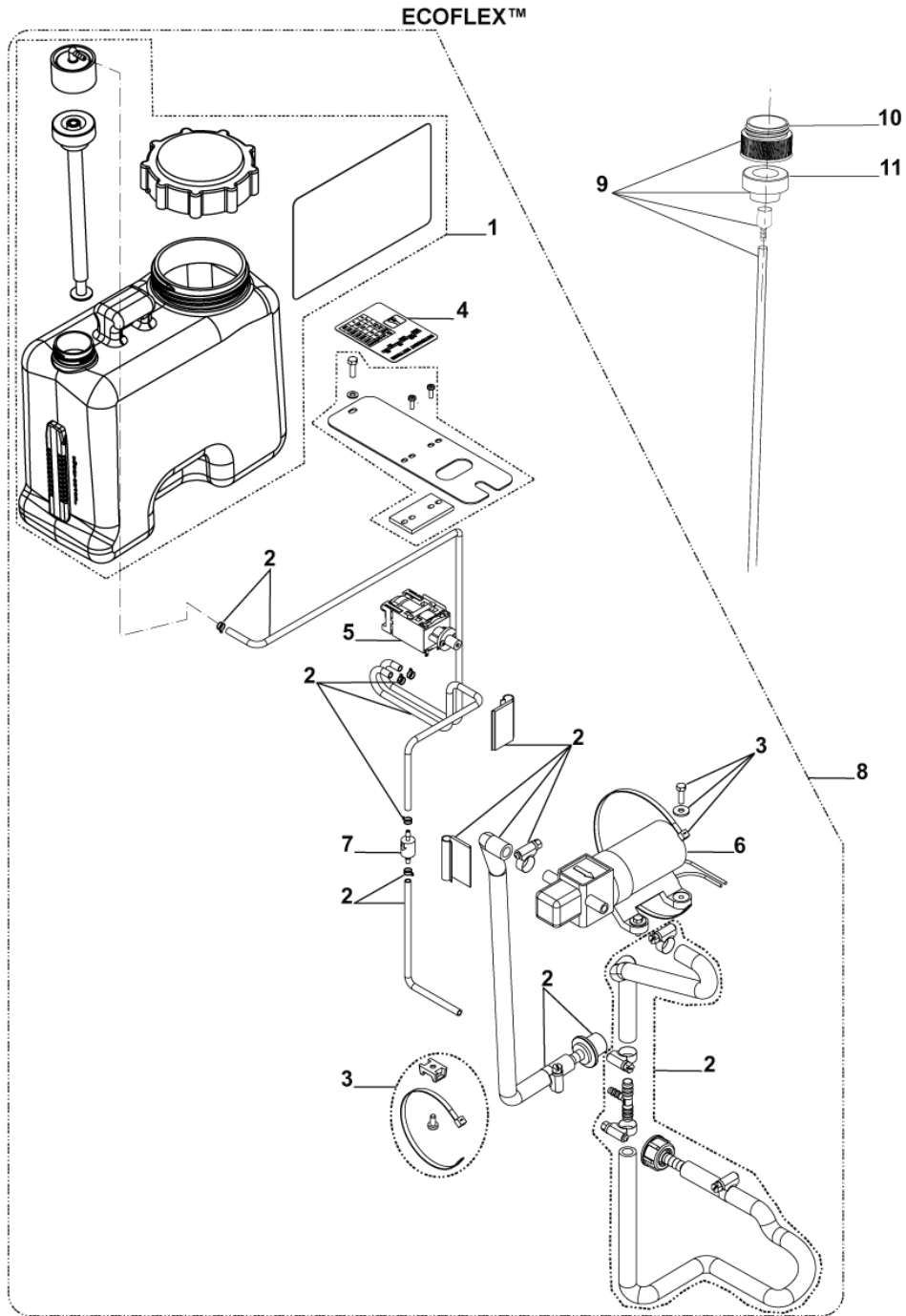
- [1] - SERVICE TOOL - NOT SHOWN
 [2] - NOT SHOWN



Pos.	Artikel-Nr.	Menge	Variante	Notes
1	9097597000	1	Einbauladegerät 24V-25A	[1]
2	9100000790	1	CABLE EXTENSION EU PLUG L.1000 PKD	
2	1466318000	1	CABLE EXTENSION UK PLUG L.2000MM SIP	
2	1467891000	1	CABLE EXTENSION SWISS PLUG L.2000MM SIP	
4	9099679000	1	Einbauladegerät 24V-25A 230V	[2]
NS	9100003003	1	PANEL BATT. FOAM 500X330X10MM 10PCS SET	

Part Notes:

- [1] - SEE INST.INSTR. 9097598000. Charger Battery kit PN. 9097597000
- [2] - NOT SHOWN - SEE TSB-IT 2012-088



Pos.	Artikel-Nr.	Menge	Variante	Notes
1	909 6903 000	1	EDS-Behälter	
2	9097678000	1	HOSES EDS SYSTEM KIT	
3	9097679000	1	Befestigungskit	
4	909 6592 000	1	DECAL DETERGENT ADJUST.	
5	9100001819	1	PUMP CHEMICAL MIX KIT	
6	56315108	1	Wasserpumpe 24 V EDS	
7	56315522	1	Rückschlagventil EDS	
8	9097457000	1	Ecoflex-Set	[1]
9	9098025000	1	Reduzierstück f.	
10	9097023000	1	Adapter f. Chemie Tank	
11	9097022000	1	Niveaufühler	
12	9097412000	1	Kabel f. Chemie System	[2]

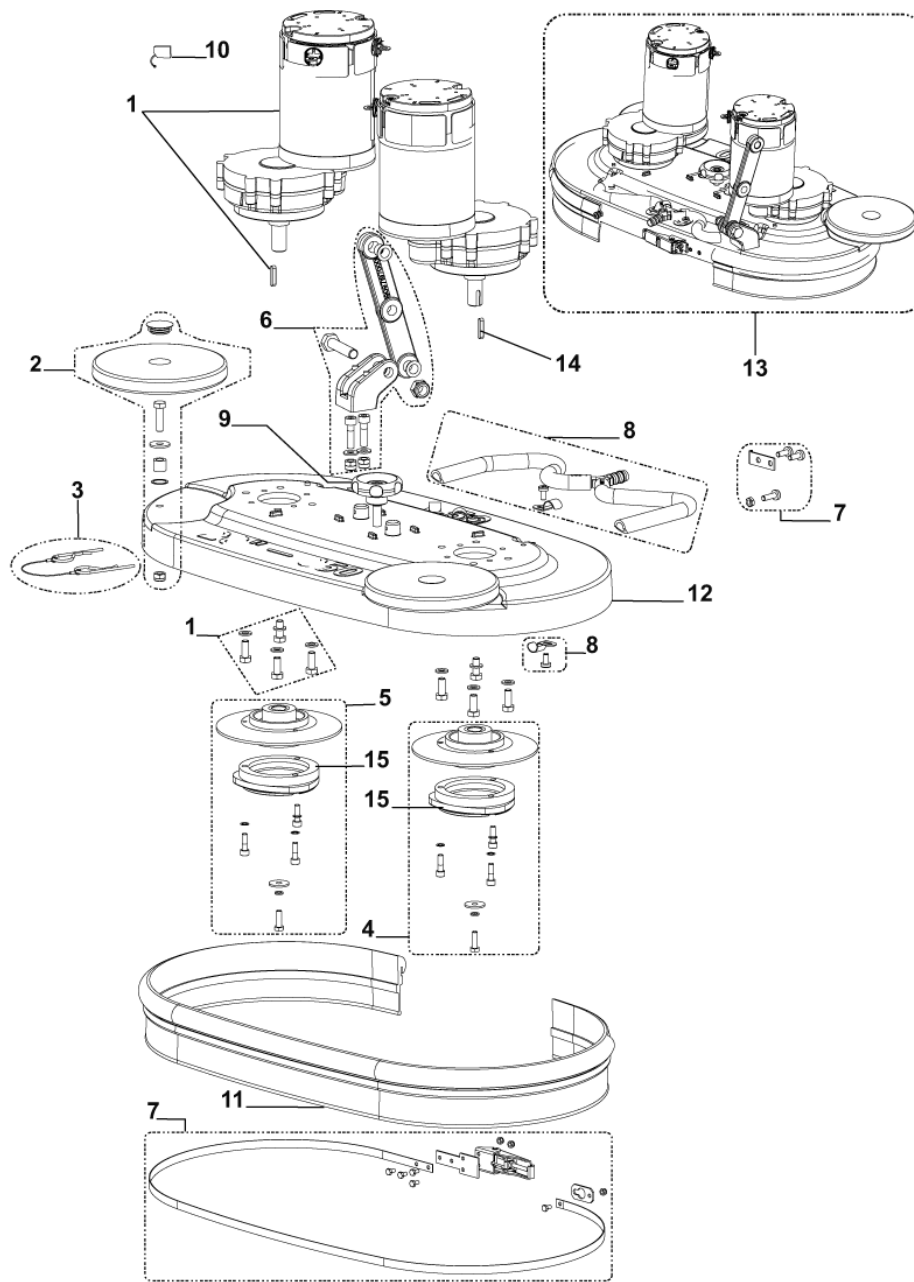
Part Notes:

[1] - SEE INST. INSTR. 9097009000

[2] - NOT SHOWN

Pos.	Artikel-Nr.	Menge	Variante	Notes
1	909 6394 000	1	Verschluss BA 451	
2	9097634000	1	Befestigungskit f.	
3	909 6887 000	2	Abweisrollenkit	
4	9097637000	1	Befestigungskit BA 551	
5	909 6883 000	1	Stützrad zu BA 451	
6	9097198000	1	Saugbalken Alu	
7	9100000280	1	Sauglippen-Set, 840 mm, 33"	
8	9097539000	1	Absaugleistenkit kpl. Alu	

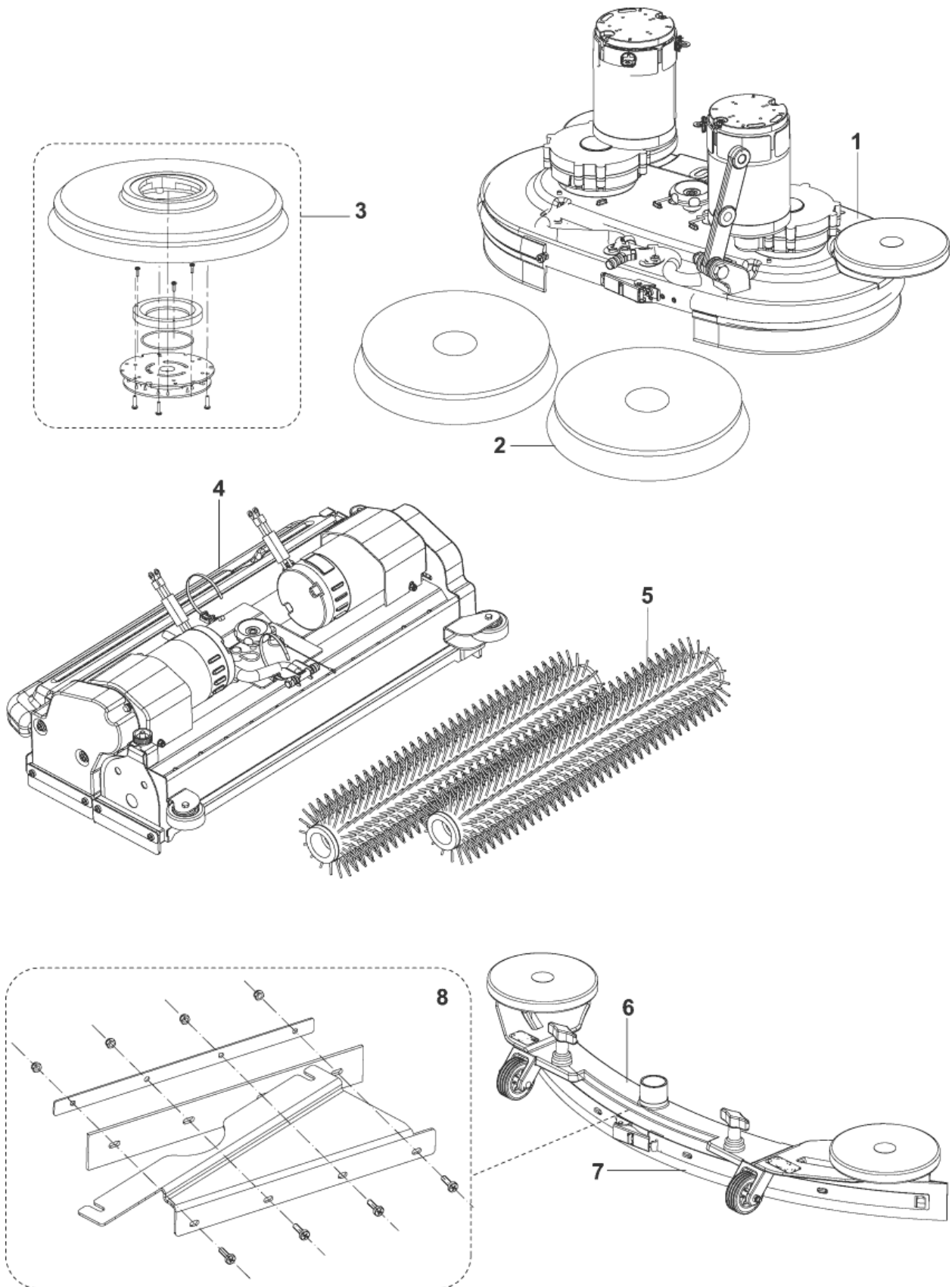
DECK BRUSH 600MM/24" KIT



Pos.	Artikel-Nr.	Menge	Variante	Notes
1	9099546000	2	Bürstenmotor 24V 400W	
2	909 6887 000	2	Abweisrollenkit	
3	909 6354 000	1	Kabel mit 2 Splint	
4	9097497000	1	Halter f Bürstenaufnahme	
5	9097496000	1	Halterungskit, rechts	
6	9097641000	1	Befestigungskit	
7	909 5398 000	1	Spritzgummihalterungs-KitBA 600S / BA 65	
8	9097648000	1	HOSE WATER BRUSH DECK 610MM/24 KIT	
9	146 1037 000	1	Drehknopf	
10	9098376000	2	CARBON BRUSHES KIT 4 PCS	
11	909 5224 000	1	Spritzgummi	
12	909 5344 000	1	Bürstendeckgehäuse BA600S	
13	9097522000	1	DECK BRUSH 600MM/24 KIT	[1]
14	1466146000	2	KEY 5X5X25 UNI6604A PKD	
15	L08812480	2	Polygonaufnahme	
16	9097410000	1	Kabelbaum	[2]

Part Notes:

- [1] - COMPLEXITY REDUCTION
SEE INST. INSTR. 9097695000
- [2] - NOT SHOWN



Pos.	Artikel-Nr.	Menge	Variante	Notes
1	9097522000	1	DECK BRUSH 600MM/24 KIT	[1]
1	9097611000	1	Bürstendeck 750mm / 28 · zu BA 751	[2]
1	9097610000	1	Bürstendeck-Set 650 mm, 26"	[2]
1	9097612000	1	Bürstendeck-Set 850 mm, 34"	[2]
2	909 5336 000	2	Bürste Mid Grit 180, Ø 330 mm	
2	909 5334 000	2	Bürste Mid Grit 240, Ø 330 mm	
2	909 5332 000	2	Bürste Prolene, hart, Ø 330 mm	
2	909 5338 000	2	Bürste Prolite, weich, Ø 330 mm	
2	909 5340 000	2	Bürste Union Mix, Ø 330 mm	
2	909 5337 000	2	Bürste Mid Grit 180, Ø 370 mm	
2	909 5335 000	2	Bürste Mid Grit 240, Ø 370 mm	
2	909 5333 000	2	Bürste Prolene, hart, Ø 370 mm	
2	909 5339 000	2	Bürste Prolite, weich, Ø 370 mm	
2	9100000000	2	Bürste Union Mix, 370 mm, 14,5"	
2	9097579000	2	Bürste Mid Grit 180, 432 mm, 17"	
2	9097578000	2	Bürste Sica Grit 240, weich, 432 mm, 17"	
2	9097469000	2	Bürste Prolene, hart, Ø 430 mm, 17"	
2	9097580000	2	Bürste Prolite, weich, 432 mm, 17"	
2	9097581000	2	Bürste Union Mix, 432 mm, 17"	
3	9099670000	2	Padhalter Ø 305 mm, 12"	[3]
3	909 5330 000	2	Padhalter Ø 330 mm, 13"	[4]
3	909 5331 000	2	Padhalter 14" 370mm, center lock	[5]
3	9100000144	2	PAD HOLDER FLAT 17" 432MM	[6]
3	9097582000	2	Padhalter 17", 432 mm	[6]
4	9097652000	1	Walzendeck 750mm /28° zu BA 751	[1]
5	56412192	2	Bürstenwalze Nylon, hart, Naturborsten	
5	56412195	2	Walze Sica braun BR 700 C	[7]
5	56412193	2	Bürstenwalze Sica Grit 180, blau/grau	
5	56412046	2	Bürstenwalze PP, rot	
5	56412194	2	Walze Sica schwarz BR700C	[7]
5	56412191	2	Bürstenwalze Nylon, weich, gelb	[7]
6	9097539000	1	Absaugleistenkit kpl. Alu	
6	9097540000	1	Absaugleiste kpl. ALU 890mm/35"	
6	9097541000	1	Absaugleiste kpl. Alu.	
7	9100000282	1	Sauglippen-Set, 1040 mm, 41"	
7	9097358000	1	Sauglippen-Set PU 1040 mm, 41"	
7	9096991000	1	Absaugleisten-Set PU	
8	9098342000	1	THIRD BLADE SQUEEGEE KIT	[8]
9	9098912000	1	Aufnahme f. Absaugleiste	[9]
10	9100002205	1	DRAINING HAND TOOL	[10]

Part Notes:

- [1] - COMPLEXITY REDUCTION
SEE INST. INSTR. 9097695000
- [2] - COMPLEXITY REDUCTION
SEE INST. INSTR. 9097695000
- [3] - For BA 601
- [4] - For BA 651
- [5] - For BA 751
- [6] - For BA 851
- [7] - COMPLEXITY REDUCTION
- [8] - SEE INST. INSTR. 9098337000
- [9] - SEE TSB-IT 2010-062
- [10] - NO SHOWN

Pos.	Artikel-Nr.	Menge	Variante	Notes
1	9099929000	1	SAUGMOTOR 3ST 24V 420W KOMPLETT	[1]
2	9097653000	2	Kohlebürste	[1]
3	146 0630 000	1	Dichtung L= 1800	[1]
4	9100000680	1	ACTUATOR LINEAR 24V DC STRK 100MM PKD	[1]
5	909 5637 000	1	Gasdruckfeder BA 410	[1]
6	9097621000	1	Hinterrad Kit schwenkbarBA 851	[1]
7	9100002121	1	WHEELS FOAMED KIT	[1]
8	9097363000	1	Fahrmotor 330 W 24V	[1]
9	1464434000	1	Kohlebürsten 2Stück	[1]
10	9097623000	1	Potentiometer Kit	[1]
11	9100000792	1	MICROSWITCH 16A 250V PKD	[1]
12	909 6038 000	1	Potentiometergestänge	[1]
13	9100001014	1	HARNES HANDLE BAR DRIVE PKD	[1]
14	9100001062	1	POTENTIOMETER 5K 40 PKD	[1]
15	909 6555 000	1	Magnetventil 24 V	[1]
16	9100000860	1	Wasserfilter	[1]
17	9100000861	1	NET WATER FILTER REINFORCED PKD	[1]
18	9097626000	1	Winkelventilkit	[1]
19	9097629000	1	Lifting Kit	[1]
20	9097632000	1	Befestigungs-Kit	[1]
21	9097635000	1	Befestigungskit f.	[2]
22	9097636000	1	Befestigungskit f.	[3]
23	909 6887 000	2	Abweisrollenkit	[1]
24	9097637000	1	Befestigungskit BA 551	[1]
25	909 6883 000	1	Stützrad zu BA 451	[1]
26	9100000281	1	Sauglippen Set, 890 mm, 35"	[2]
27	9100000282	1	Sauglippen-Set, 1040 mm, 41"	[3]
28	9099546000	2	Bürstenmotor 24V 400W	[4]
29	9098376000	2	CARBON BRUSHES KIT 4 PCS	[4]
30	9097640000	1	Bürstenhalter Kompl. Re.	[4]
31	9097640000	1	Bürstenhalter Kompl. Re.	[4]
32	909 5224 000	1	Spritzgummi	[5]
33	909 5345 000	1	Spritzgummi BA 750L=1600mm	[6]
34	9097471000	1	Deckgummi 850mm/34	[3]
35	9099858000	2	MOTOR ELECTRIC 600W 24V KIT	[7]
36	L08603949	1	Kohlenbürsten Kit 4pcs	[7]
37	9098488000	1	ROLLERS BUMPERS KIT	[7]
38	909 6731 000	1	Riemen Poly-V BR 601	[7]
39	909 5761 000	1	Rillenriemen 11J04838BA 600SC	[7]
40	9097660000	1	Seiten Gummi zu BA 751C	[7]
41	9097659000	2	Bürstenhalter Kit	[7]
42	9100000177	1	CARD ELECTRONIC FUNCTIONS KIT	[1]
43	9100001354	1	Schlüsselschalter komplett	[1]
44	909 6622 000	1	Relais 24 V 40 A	[1]
45	909 5127 000	1	Relais 24 V	[1]
46	9100000189	1	CARD ELECTRONIC TRACTION KIT	[1]
47	9100001819	1	PUMP CHEMICAL MIX KIT	[1]
48	56315108	1	Wasserpumpe 24 V EDS	[1]
49	56315522	1	Rückschlagventil EDS	[1]

Part Notes:

- [1] - BA 651 - 751 - 851 - 751C
- [2] - BA 651 - 751 - 751C
- [3] - BA 851
- [4] - BA 651 - 751 - 851
- [5] - BA 651
- [6] - BA 751
- [7] - BA 751C

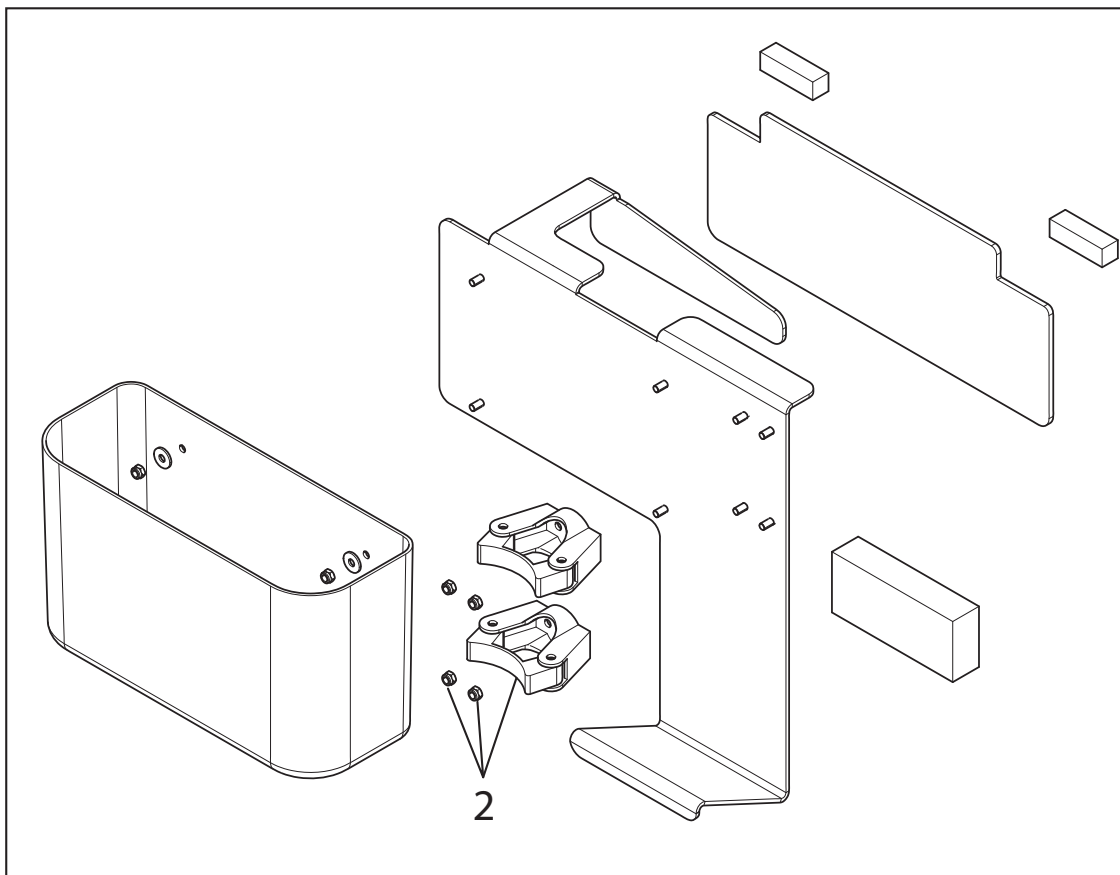
Pos.	Artikel-Nr.	Menge	Variante	Notes
1	9097522000	1	DECK BRUSH 600MM/24 KIT	[1]
2	9097610000	1	Bürstendeck-Set 650 mm, 26"	[1]
3	9097611000	1	Bürstendeck 750mm / 28 · zu BA 751	[1]
4	9097612000	1	Bürstendeck-Set 850 mm, 34"	[1]
5	9097652000	1	Walzendeck 750mm /28°zu BA 751	[1]
6	L08603875	2	Bürste Union Mix, 305 mm, 12"	
7	L08603842	2	Bürste Prolene, mittel, 305 mm, 12 "	
8	L08603874	2	Bürste Prolite, 305 mm, 12 "	
9	L08603873	2	Bürste Mid Grit 240, 305 mm, 12"	
10	L08603872	2	Bürste Mid Grit 180, 305 mm, 12"	
11	909 5340 000	2	Bürste Union Mix, Ø 330 mm	
12	909 5332 000	2	Bürste Prolene, hart, Ø 330 mm	
13	909 5338 000	2	Bürste Prolite, weich, Ø 330 mm	
14	909 5334 000	2	Bürste Mid Grit 240, Ø 330 mm	
15	909 5336 000	2	Bürste Mid Grit 180, Ø 330 mm	
16	909 5341 000	2	Bürste Union Mix D370	[1]
17	909 5333 000	2	Bürste Prolene, hart, Ø 370 mm	
18	909 5339 000	2	Bürste Prolite, weich, Ø 370 mm	
19	909 5335 000	2	Bürste Mid Grit 240, Ø 370 mm	
20	909 5337 000	2	Bürste Mid Grit 180, Ø 370 mm	
21	9097581000	2	Bürste Union Mix, 432 mm, 17"	
22	9097469000	2	Bürste Prolene, hart, Ø 430 mm, 17"	
23	9097580000	2	Bürste Prolite, weich, 432 mm, 17"	
24	9097578000	2	Bürste Sica Grit 240, weich, 432 mm, 17"	
25	9097579000	2	Bürste Mid Grit 180, 432 mm, 17"	
26	56412191	2	Bürstenwalze Nylon, weich, gelb	[1]
27	56412192	2	Bürstenwalze Nylon, hart, Naturborsten	
28	56412046	2	Bürstenwalze PP, rot	
29	56412193	2	Bürstenwalze Sica Grit 180, blau/grau	
30	56412194	2	Walze Sica schwarz BR700C	[1]
31	56412195	2	Walze Sica braun BR 700 C	[1]
32	9099670000	2	Padhalter Ø 305 mm, 12"	
33	909 5330 000	2	Padhalter Ø 330 mm, 13"	
34	909 5331 000	2	Padhalter 14" 370mm, center lock	
35	9097582000	2	Padhalter 17", 432 mm	
36	10001915	1	Eco Pad 13", Ø 330 mm, weiß, VPE 5	
37	10001913	1	Eco Pad 13", Ø 330 mm, grün, VPE 5	
38	10001914	1	Eco Pad 13", Ø 330 mm, rot, VPE 5	
39	10001911	1	Eco Pad 13", Ø 330 mm, blau, VPE 5	
40	10001912	1	Eco Pad 13", Ø 330 mm, braun, VPE 5	
41	10001921	1	Eco Pad 14", Ø 355 mm, weiß, VPE 5	
42	10001919	1	Eco Pad 14", Ø 355 mm, grün, VPE 5	
43	10001920	1	Eco Pad 14", Ø 355 mm, rot, VPE 5	
44	10001917	1	Eco Pad 14", Ø 355 mm, blau, VPE 5	
45	10001918	1	Eco Pad 14", Ø 355 mm, braun, VPE 5	
46	10001936	1	Eco Pad 17", Ø 432 mm, weiß, VPE 5	
47	10001940	1	Eco Pad 17", Ø 432 mm, grün, VPE 5	
48	10001941	1	Eco Pad 17", Ø 432 mm, rot, VPE 5	
49	10001939	1	Eco Pad 17", Ø 432 mm, blau, VPE 5	
50	10001971	1	Eco Pad 17", Ø 432 mm, braun, VPE 5	
51	9097539000	1	Absaugleistenkit kpl. Alu	
52	9097540000	1	Absaugleiste kpl. ALU 890mm/35"	
53	9097541000	1	Absaugleiste kpl. Alu.	
54	9096991000	1	Absaugleisten-Set PU	
55	9097358000	1	Sauglippen-Set PU 1040 mm, 41"	
56	909 5065 000	1	Filter antischäum	
57	909 6734 000	1	Haltenetz	
59	909 5511 000	1	Schwenkrad, hinten	
60	9100001353	1	FILTER SOLUTION TANK PKD	

Pos.	Artikel-Nr.	Menge	Variante	Notes
61	9096951000	1	Betriebsstundenzähler 24V	
62	9097597000	1	Einbauladegerät 24V-25A	
63	9097457000	1	Ecoflex-Set	
64	9100002987	1	MOP AND TRASH KIT	

Part Notes:

[1] - COMPLEXITY REDUCTION

1



Pos.	Artikel-Nr.	Menge	Variante	Notes
1	9100002987	1	MOP AND TRASH KIT	[1]
2	9100001369	2	Mophalter	

Part Notes:

[1] - INSTRUCTION INSTALL. KIT 9100002987

