

PARTS LIST



2017.06.08

 **Nilfisk**[®]

 07351-5758060

kontakt@nilfisk-alto-shop.com



 **Heine**
Vertriebs-GmbH

Preisabfrage bzw. Bestellungen der Artikel im Shop unter

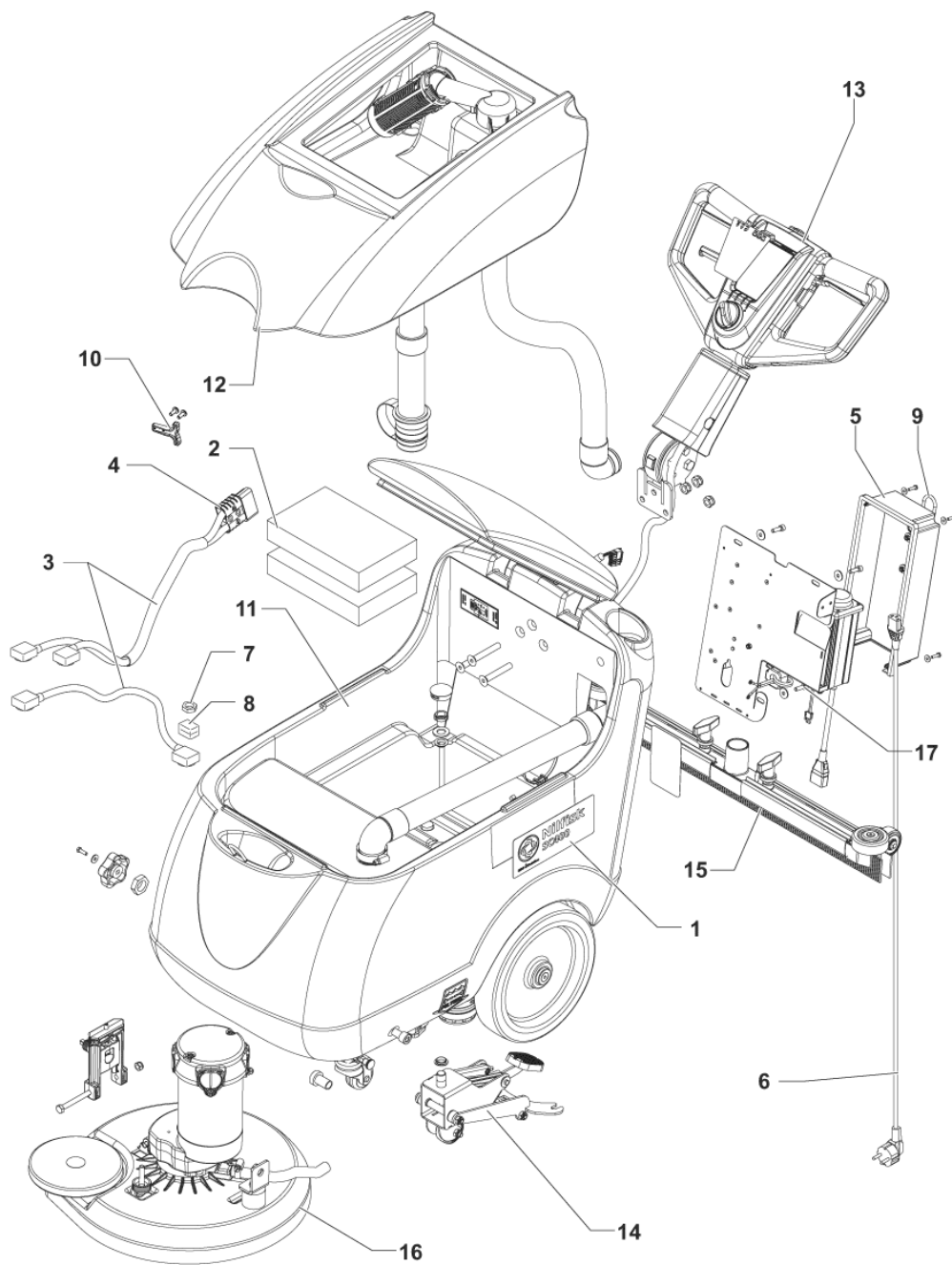
www.nilfisk-alto-shop.com

einfach die Artikelnummer in die Suchmaske eingeben

(Bitte die Artikelnummer ohne Leerzeichen eingeben)

TABLE OF CONTENTS

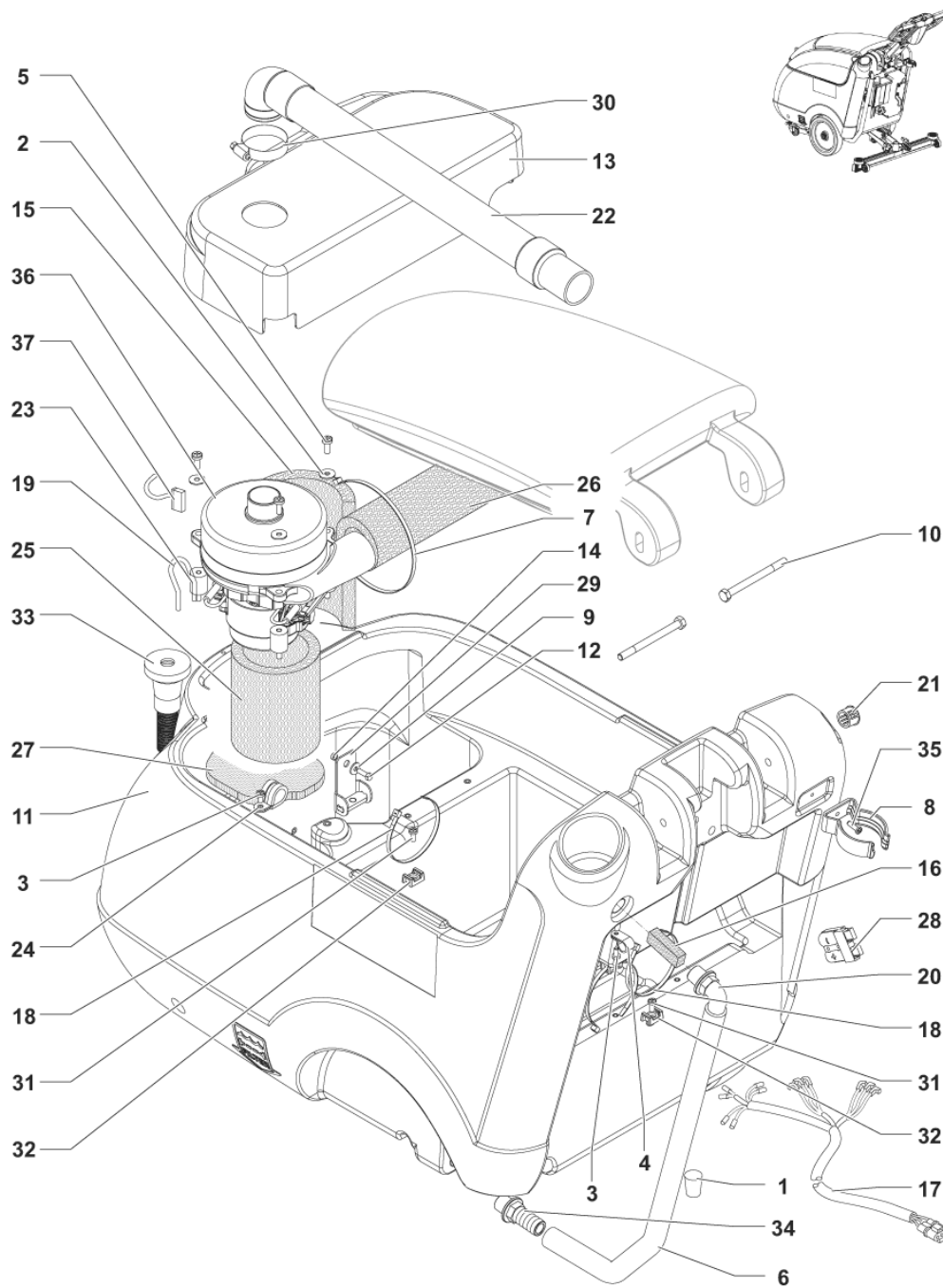
GENERAL SYSTEM	1
SOLUTION SYSTEM	3
FILTER AND WHEELS SYSTEM	5
RECOVERY SYSTEM	7
HANDLE SYSTEM	9
SQUEEGEE AND LIFT SYSTEM	11
BRUSH SYSTEM	13
WIRING SYSTEM	15
WIRING SYSTEM - 9087325020	17
ACCESSORIES	19
RECOMMENDED SPARE PARTS	21



Pos.	Artikel-Nr.	Menge	Variante	Notes
1	9099761000	1	DECALS SC400 NILFISK KIT	
2	L08812670	2	Batterieverspannung	
3	9100001952	1	HARNESS BATTERY KIT	
4	9100002248	1	CONNECTOR 50A RED SIP	
5	9099762000	1	Abdeckung	
6	9100000790	1	CABLE EXTENSION EU PLUG L.1000 PKD	
7	9099757000	1	NUT HEX M8 INSULATING PLASTIC	
8	9099756000	1	FUSE 125A	
9	1466317000	1	SUPPORT CABLE KIT	
10	9100000885	1	Handgriff	
11		1	Solution system	[1]
12		1	Recovery system	[2]
13		1	Handle system	[3]
14		1	Squeegee and lift sytem	[4]
15		1	Squeegee	[5]
16		1	Brush system	[6]
17		1	Wiring system	[7]

Part Notes:

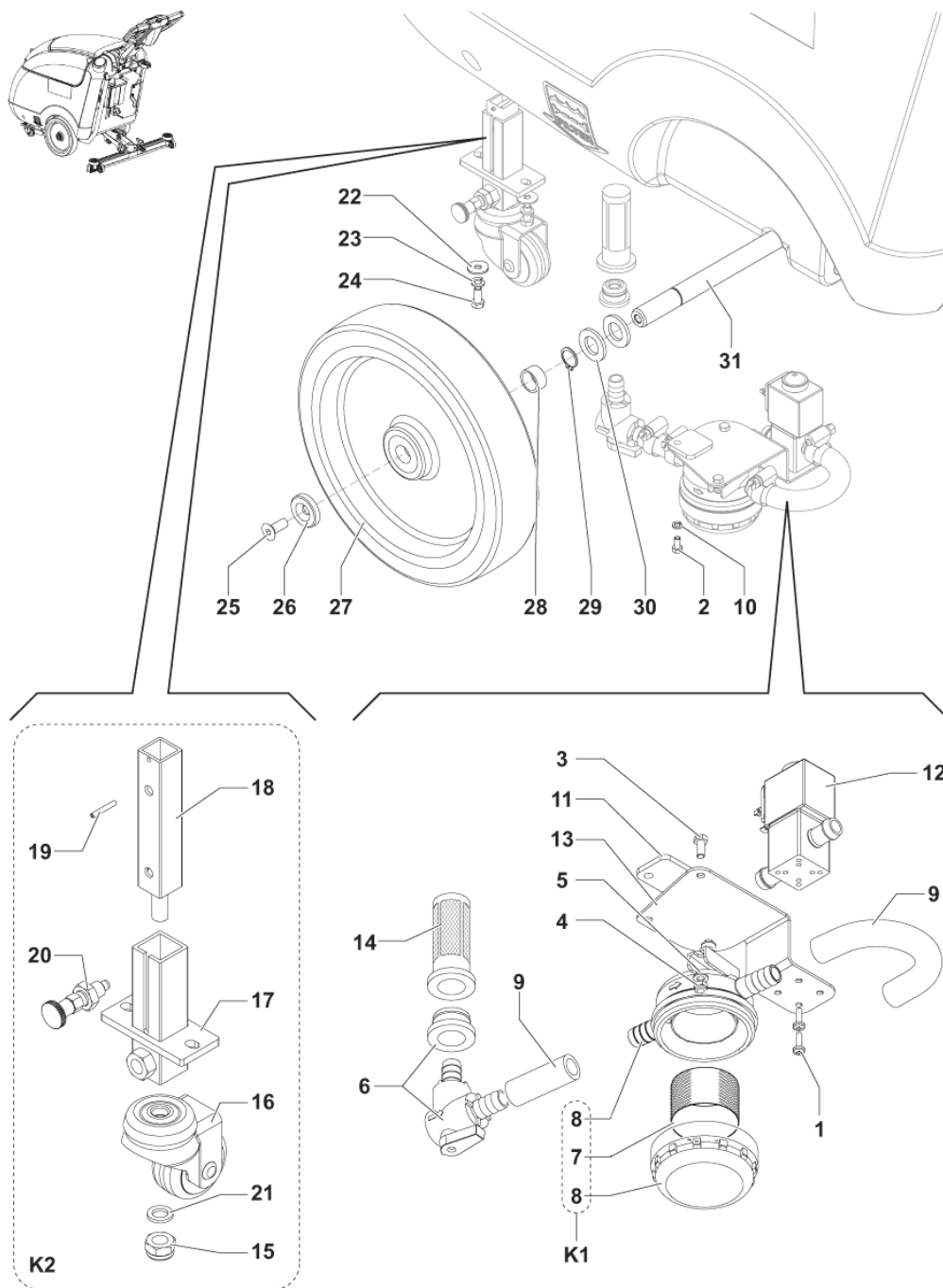
- [1] - Solution system SOLUTION SYSTEM
 - [2] - Recovery system RECOVERY SYSTEM
 - [3] - Handle systemHANDLE SYSTEM
 - [4] - SQUEEGEE AND LIFT SYSTEM
 - [5] - SQUEEGEE
 - [6] - BRUSH SYSTEM
 - [7] - WIRING SYSTEM
- WIRING SYSTEM - 9087325020



Pos.	Artikel-Nr.	Menge	Variante	Notes
6	9098446000	1	HOSE SOLUTION	
8	909 6380 000	1	Schlauchklammer BR 601BR 751	
11	9100001944	1	TANK SOLUTION RAL 7016 PKD	
13	9098466000	1	Deckel f. Motor	
15	9098801000	1	FILTER SOUND ABSORBENT	
16	9098802000	1	FILTER LEVEL WATER HOSE	
17	9099103000	1	HARNESS MACHINE	
19	9099178000	1	SUPPORT BRUSH	
20	9100001211	1	ELBOW 90 D.20 G1/2 M KIT	
22	909 5579 000	1	Schlauch Saugmotor	
25	909 5564 000	1	Schallschutz Schlauch	
26	909 5565 000	1	Schallschutz	
27	9099184000	1	FILTER FOAM MOTOR	
28	9100002248	1	CONNECTOR 50A RED SIP	
29	9099195000	1	VORDERE EINSTELLHALTERUNG CPL	
33	9097290000	1	Frischwasserfüllschlauch	[1]
34	9100000574	1	FITTING STRAIGHT G1/2 D.20 KIT	
36	9100000959	1	MOTOR VACUUM 300W 24V KIT	
37	909 5371 000	2	Kohlebürste	
K1	9099763000	1	HARDWARE SOLUTION TANK KIT	[2]

Part Notes:

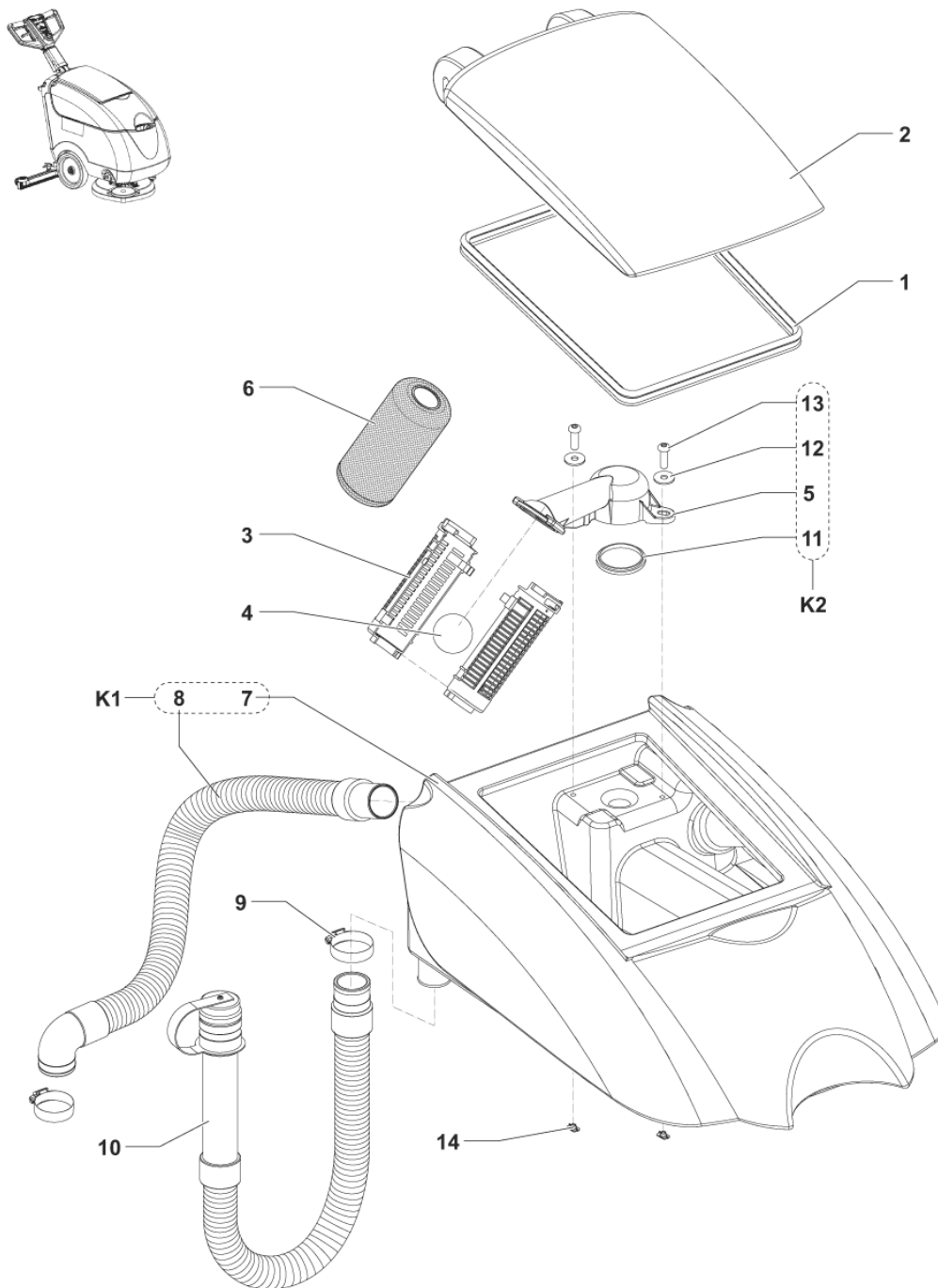
- [1] - SEE TSB-FC-2016-020
 [2] - NOT SHOWN (POS.1-2-3-4-5-7-9-10)



Pos.	Artikel-Nr.	Menge	Variante	Notes
6	9097626000	1	Winkelventilkit	
7	9100000861	1	NET WATER FILTER REINFORCED PKD	
9	9099778000	1	HOSE SOLUTION FILTER KIT	
11	9099200000	1	SPACER ADHESIVE RUBBER	
12	9100000870	1	SOLENOID VALVE 24V PKD	
13	9099179000	1	SUPPORT FILTER AND SOLENOID VALVE	
14	9100001353	1	FILTER SOLUTION TANK PKD	[1]
16	9100000961	1	WHEEL CASTOR D.51 SS GREY PKD	
20	909 5641 000	1	Bolzen BA 410	
26	9100002136	1	BUSHING GALV. 2 PCS SET	
27	9099410000	2	Rad D250x50 grau	
K1	9100000860	1	FILTER WATER PKD	[2]
K2	9099705000	1	SUPPORT KIT f. Scrubtec 343	[3]
K3	9099765000	1	Befestigungskit	[4]
K4	9099766000	1	HARDWARE FILTER AND SUPPORT KIT	[5]

Part Notes:

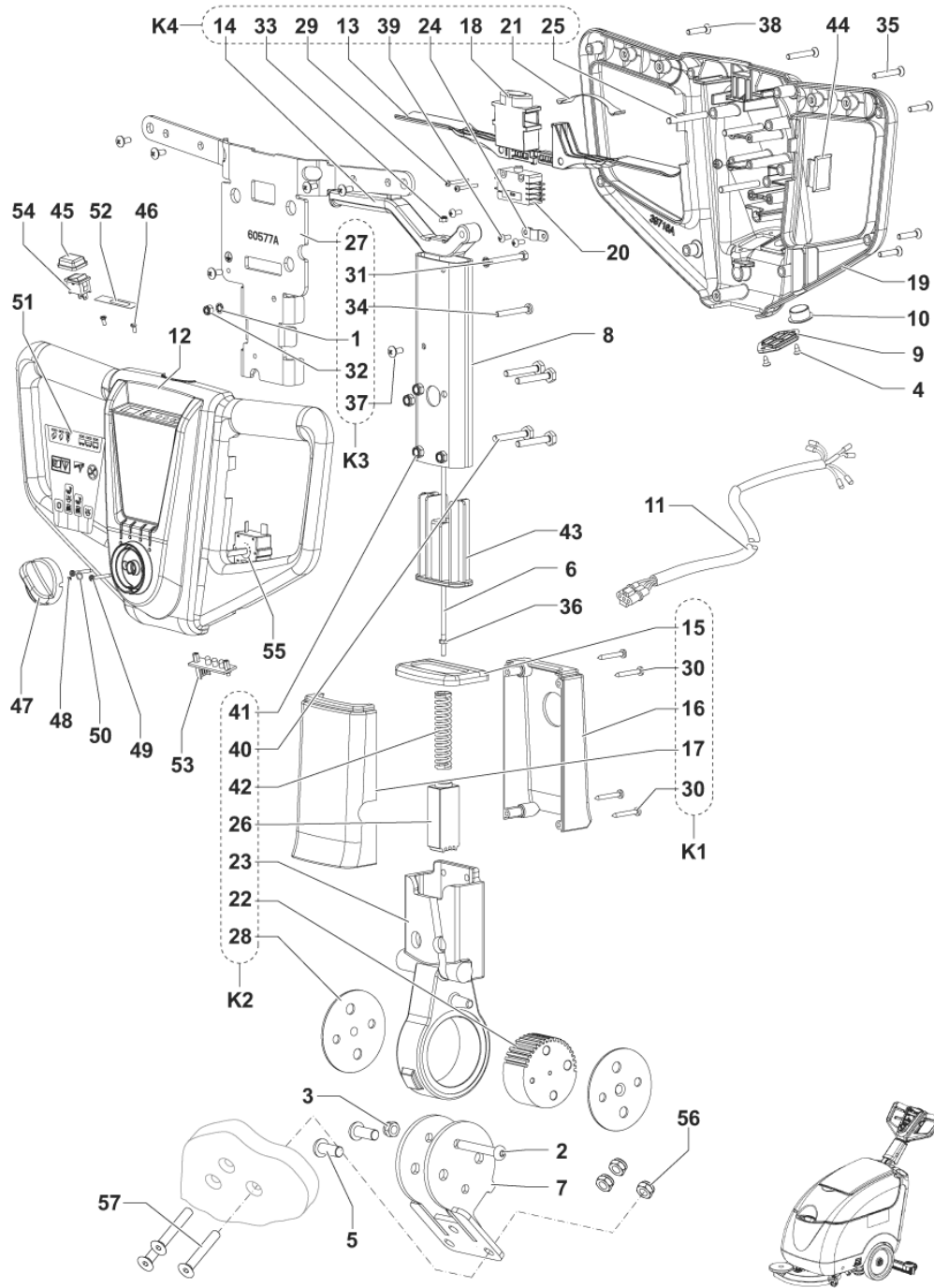
- [1] - OPTION
- [2] - (POS.7-8)
- [3] - (POS.15-16-17-18-19-20-21)
- [4] - NOT SHOWN (POS.25-26-28-29-30-31)
- [5] - NOT SHOWN (POS.1-2-3-4-5-10-22-23-24)



Pos.	Artikel-Nr.	Menge	Variante	Notes
1	909 5716 000	1	Dichtung	
2	9100001948	1	COVER TANK GREY PKD	
3	9100000818	1	CAGE FLOAT HALF 2 PCS SET	
7	9100000817	1	BALL FLOATING PKD	
6	909 5065 000	1	Filter antischäum	[1]
8	9100001947	1	SAUGSCHLAUCH 850MM 90 SCHWARZ PKD	
9	9100001348	1	CLAMP 14/32-52 10 PCS SET	
10	9099692000	1	Ablassschlauch L611 MM	
K1	909 6061 000	1	Schmutzwassertank BA 410	[2]
K2	9100001875	1	SUPPORT FLOAT KIT	[3]

Part Notes:

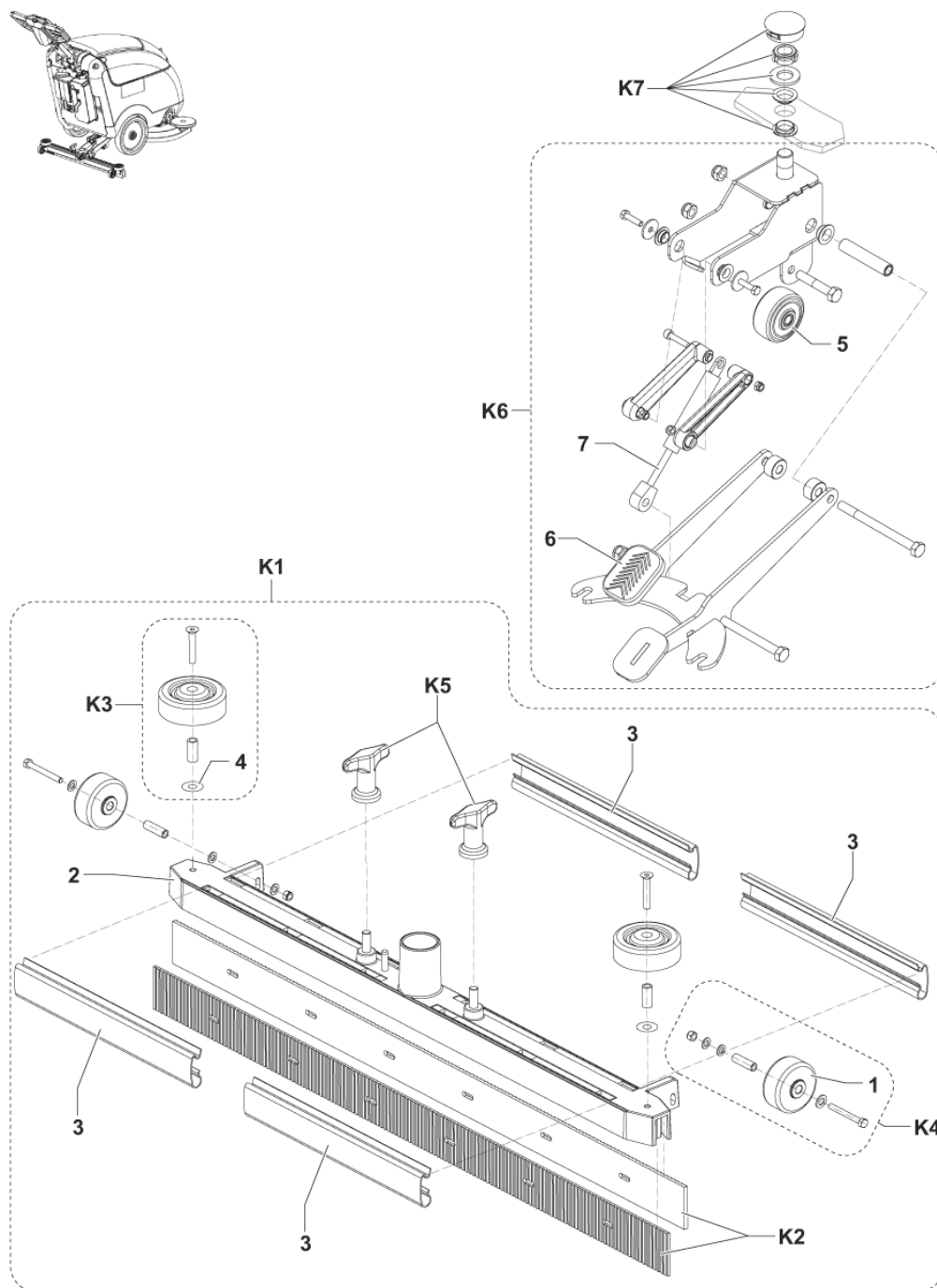
- [1] - OPTION
- [2] - (POS.7-8)
- [3] - (POS.5-11-12-13-14)



Pos.	Artikel-Nr.	Menge	Variante	Notes
00	9098807000	1	HANDLE BAR COMPLETE	[1]
6	9098805000	1	ROD HANDLE ADJUSTING	[2]
7	9098806000	1	SUPPORT HANDLE	[2]
8	9098808000	1	TUBE HANDLE	[2]
9	9098812000	1	CAP FOR HANDLE	
10	9098813000	1	CAP D.18.5/D.24MM BLACK	
11	9099054000	2	CABLE HANDLE BAR	[2]
12	9100000101	1	COVERS HANDLE GREY KIT	
19	9100000101	1	COVERS HANDLE GREY KIT	
20	40263A	1	SWITCH DPST	
36	VV13609	1	NUT M4	
43	VF47033	1	RETAINER	
44	VF54041	1	HANDLE PLUG	
45	L08603154	1	SCHUTZKAPPE	
47	9097283000	1	KNOB CONTROL FUNCTIONS	
51	9099056000	1	DECAL CONTROL PANEL	
52	9098616000	1	Sticker Batterie LED	[3]
53	9099053000	1	CARD TWO-COLOURED LED	
54	9099107000	1	SWITCH SINGLE-POLE MOMENTARY	
55	9099332000	1	SWITCH ROTATIVE 4 POSITIONS	
K1	11271A	1	Abdeckungskit	[4]
K2	11272A	1	LOWER HOUSING KIT	[5]
K3	11273A	1	Befestigungskit für Griff	[6]
K4	11274A	1	HANDLE SWITCH LEVER KIT	[7]
K5	9099768000	1	SCHRAUBENSATZ GRIFF	[8]

Part Notes:

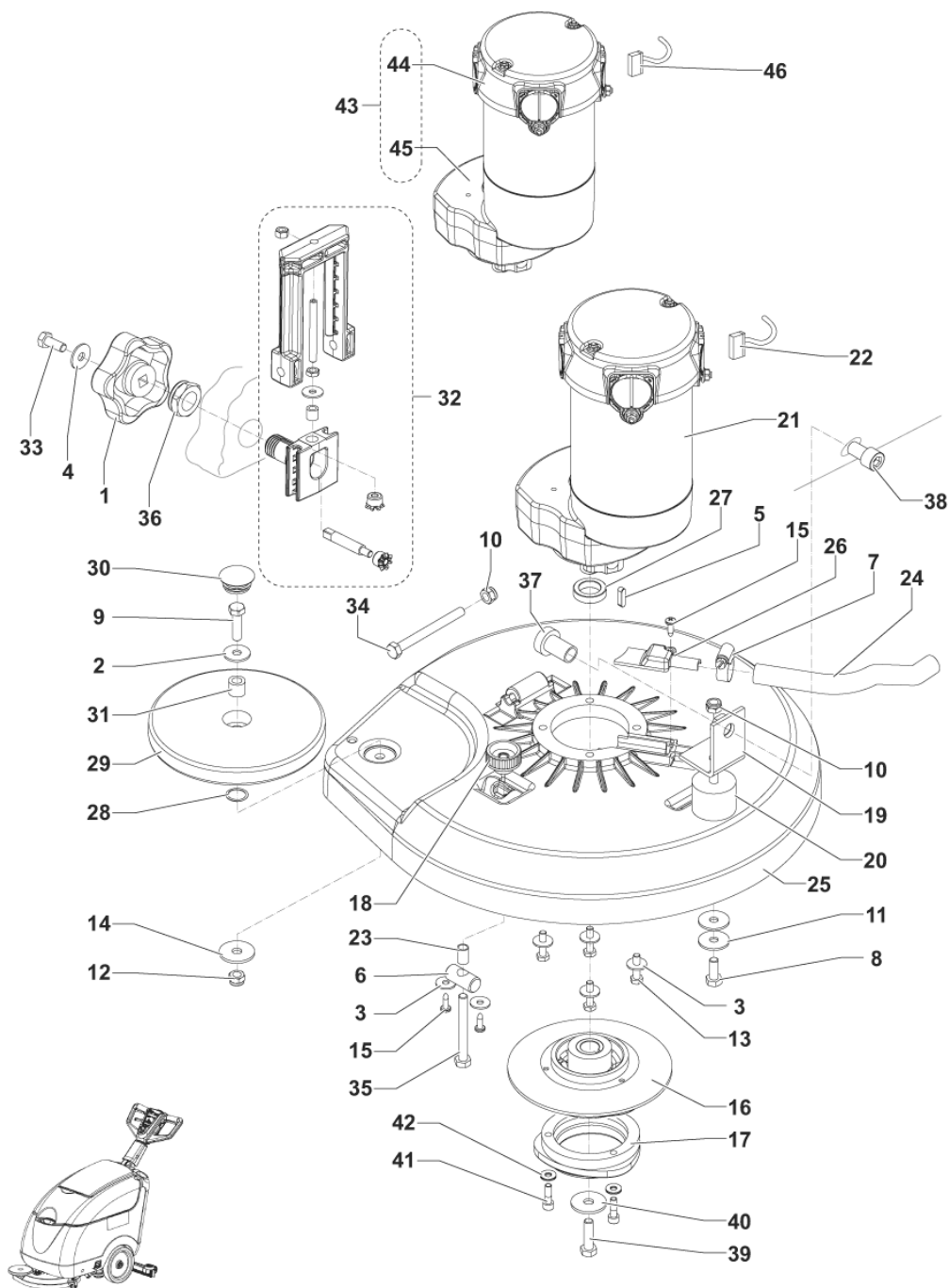
- [1] - complete handle, all positions on drawing
- [2] - NOT FOR SALE VIA EDC
- [3] - STOCK COVERS GUARANTEE
- [4] - (POS.15-16-17-30)
- [5] - (POS.22-23-26-28-40-41-42)
- [6] - (POS.1-27-31-32-34-37)
- [7] - (POS.13-14-18-21-24-25-29-33-39)
- [8] - NOT SHOWN (POS.2-3-4-5-35-38-46-48-49-50-56-57)



Pos.	Artikel-Nr.	Menge	Variante	Notes
1	9100000559	2	Rad grau D.51	
2	909 5554 000	1	Absaugleiste - Oberteil	
3	9100001661	2	PROFILE F SQUEEGEE BLADE 2 PCS SET	
4	L08603689	2	Scheibe 6x18x1.5	
5	9100000556	1	WHEEL D.50 PKD	
6	9099106000	1	COVER PEDAL	
7	909 5637 000	1	Gasdruckfeder BA 410	
K1	909 5702 000	1	Absaugleiste kpl. 740mm/29"	[1]
K2	9097354000	1	Sauglippen-Set PU Ø 720 mm, 28"	
K3	L08603880	1	Abweissrollen-Kit A 430S	[2]
K4	909 5703 000	1	RadBA 410	[3]
K5	9097637000	1	Befestigungskit BA 551	
K6	9099769000	1	HEBUNG SAUGLEISTENHALTERUNG KOMPLETT	[4]
K7	9099770000	1	REPARATURSATZ SAUGLEISTENHALTERUNG	

Part Notes:

- [1] - (POS.K1-K2-K3-K4-K5-2-3)
- [2] - (POS.4)
- [3] - (POS.1)
- [4] - (POS.5-6-7)



Pos.	Artikel-Nr.	Menge	Variante	Notes
1	9098465000	1	HANDLE LOBE SQUARE HOLE	
2	1466147000	1	KEY 5X5X20 UNI6604A PKD	
16	L08812306	1	Bürstenbüchse zu Getriebe	
17	L08812480	1	Polygonaufnahme	
18	909 5964 000	1	Stellschraube	
19	9099356000	1	BRACKET DECK SUPPORT	
20	9100000868	1	VIBRATION DAMPING M8 60SH 2 PCS SET	
21	9098308000	1	Bürstenmotor 450 W 24V	
22	9098376000	1	CARBON BRUSHES KIT 4 PCS	
24	9099779000	1	HOSE BRUSH DECK KIT	
25	9099093000	1	BÜRSTENHALTERKOPF	
26	9100000869	1	COVER SOLUTION HOSE SUPPORT PKD	
29	L08812204	1	Abweisrolle zu BA 530	
32	9099771000	1	ADJUSTABLE DECK KIT	
39	33023226	1	SCREW M6X30 HEX HD ISO4017 10 PCS SET	
40	9100001272	1	WASHER PLAIN M6X24 SS ISO7093 10 PCS SET	
43	9099805000	1	GETRIEBEMOTOR 520W 24V	[1]
44	9097114000	1	Bürstenmotor BA 410	
45	9099851000	1	GETRIEBEMOTOR	
46	909 6893 000	1	Kohlenbürsteset	
K1	9099772000	1	HARDWARE BRUSH SYSTEM KIT	[2]

Part Notes:

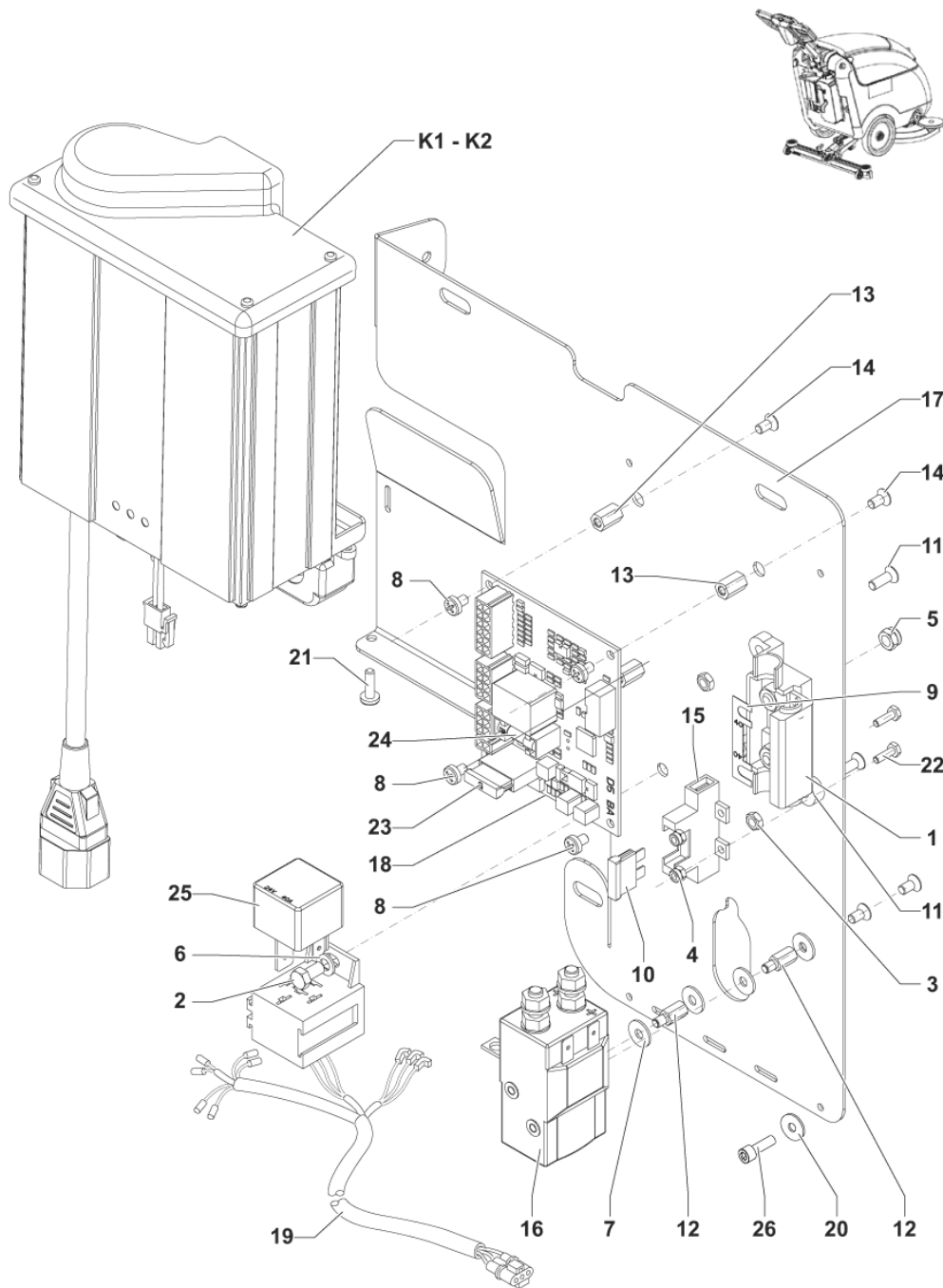
[1] - OPTION

[2] - NOT SHOWN (POS.2-3-4-6-7-8-9-10-11-12-13-14-15-23-27-28-30-31-33-34-35-36-37-38-41-42)

Pos.	Artikel-Nr.	Menge	Variante	Notes
1	145 8046 000	1	SicherungshalterG11-05000	
9	145 3824 000	1	Sicherung 40 A	
10	145 8513 000	1	FUSE BLADE 30A UL	
15	1467035000	1	HOLDER FUSE THERMOPL.UL 94-V0 SIP	
16	9097209000	1	SWITCH ELECTROMAGNETIC 24V	
17	9100001080	1	PLATE ELECTRIC COMPONENTS SIP	
18	9100000184	1	CARD ELECTRONIC FUNCTIONS KIT	
19	9099104000	1	HARNESSE ELECTRIC COMP. BOX	
20	9100000290	1	Einbauladegerät 24V-8A 100-230V	
23	145 9852 000	1	FUSE BLADE 5A UL	
24	909 6678 000	1	Glassicherung 20A	
25	909 6622 000	1	Relais 24 V 40 A	
28	9099387000	1	FERRITE	[1]
K1	9099773000	1	HARDWARE WIRING SYSTEM KIT	

Part Notes:

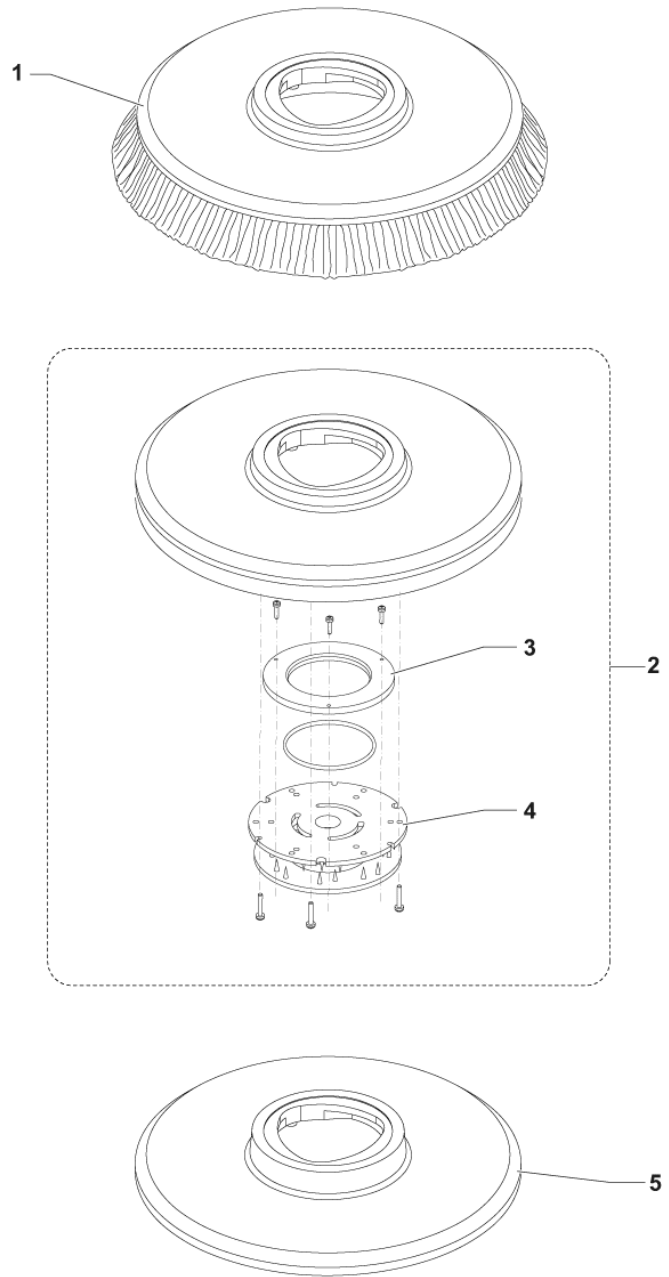
[1] - COMPLEXITY REDUCTION



Pos.	Artikel-Nr.	Menge	Variante	Notes
1	145 8046 000	1	SicherungshalterG11-05000	
9	145 3824 000	1	Sicherung 40 A	
10	145 8513 000	1	FUSE BLADE 30A UL	
15	1467035000	1	HOLDER FUSE THERMOPL.UL 94-V0 SIP	
16	9097209000	1	SWITCH ELECTROMAGNETIC 24V	
17	9100001080	1	PLATE ELECTRIC COMPONENTS SIP	
18	9100000184	1	CARD ELECTRONIC FUNCTIONS KIT	
19	9099104000	1	HARNESS ELECTRIC COMP. BOX	
23	145 9852 000	1	FUSE BLADE 5A UL	
24	909 6678 000	1	Glassicherung 20A	
25	909 6622 000	1	Relais 24 V 40 A	
K1	9100000290	1	Einbauladegerät 24V-8A 100-230V	[1]
28	9100000790	1	CABLE EXTENSION EU PLUG L.1000 PKD	[2]
29	9099387000	1	FERRITE	[3]
K2	9100000291	1	CHARGER BATT. O/B 24V 8A 100-230V JP KIT	[4]
29	9099387000	1	FERRITE	[5]
K3	9099773000	1	HARDWARE WIRING SYSTEM KIT	[6]

Part Notes:

- [1] - OPTION - INST. INSTR. 9100000288
- [2] - INCLUDED ON POS. K1 - NOT SHOWN
- [3] - COMPLEXITY REDUCTION
INCLUDED ON POS. K1 - NOT SHOWN
- [4] - OPTION - INST. INSTR. 9100000289
- [5] - COMPLEXITY REDUCTION
INCLUDED ON POS. K2 - NOT SHOWN
- [6] - NOT SHOWN - POS. 1-2-3-4-5-6-7-8-11-12-13-14-20-21-22-26



Pos.	Artikel-Nr.	Menge	Variante	Notes
1	909 5694 000	1	Bürste Union Mix	
1	L08812891	1	Bürste PP, mittel, 430 mm, 17"	
1	909 5692 000	1	Bürste Sica weich, Mid Grit 240	
1	909 5691 000	1	Bürste Mid Grit 180, mittelschwer	
1	909 5693 000	1	Bürste PPN Prolite	
2	9100001897	1	PAD HOLDER BRISTLE 17 430MM	[1]
3	L08603966	1	Nylon Ring	
4	L08603965	1	SEAL O-RING	
4	56505195	1	Padverschluss m. Spange	
5	9100002050	1	Padhalter flach 17" 432mm	[1]
6	10001936	1	Eco Pad 17", Ø 432 mm, weiß, VPE 5	[2]
6	10002336	1	Eco Brill. Pad 17", Ø 431 mm, rot, VPE 2	[2]
6	10001938	1	Eco Pad 17", Ø 432 mm, schwarz, VPE 5	[2]
6	10001940	1	Eco Pad 17", Ø 432 mm, grün, VPE 5	[2]
6	10002338	1	Eco Brill. Pad 17", Ø 431 mm, gelb, VPE	[2]
6	10001939	1	Eco Pad 17", Ø 432 mm, blau, VPE 5	[2]
6	10001937	1	Eco Pad 17", Ø 432 mm, hellbraun, VPE 5	[2]
6	10001941	1	Eco Pad 17", Ø 432 mm, rot, VPE 5	[2]
6	10002339	1	Eco Brill. Pad 17", Ø 431 mm, grün, VPE	[2]
6	10002337	1	Eco Brill. Pad 17", Ø 431 mm, blau, VPE	[2]
7	80542432	1	Ladegerät HF 24V-30A Optima SB50R	[2]
8	1466318000	1	CABLE EXTENSION UK PLUG L.2000MM SIP	[2]
9	80561268	1	Batterie 12V-68 Ah, AGM	[2]
9	80561252	1	Batterie 12V-52 Ah, AGM	[2]
9	80564310	1	Gelbatterie Monoblock, 12V-76 Ah	[2]

Part Notes:

- [1] - See TSB-FC-2016-012
 [2] - NOT SHOWN

RECOMMENDED SPARE PARTS

SC400 B NIL

2014.11.27

2017.01.10

Pos.	Artikel-Nr.	Menge	Variante	Notes
00	9098446000	1	HOSE SOLUTION	[1]
00	9097626000	1	Winkelventilkit	[1]
00	40263A	1	SWITCH DPST	[1]
00	909 5716 000	1	Dichtung	[2]
00	909 5703 000	1	RadBA 410	[1]
00	L08812891	1	Bürste PP, mittel, 430 mm, 17"	[3]
00	9100001661	2	PROFILE F SQUEEGEE BLADE 2 PCS SET	[1]
00	9099705000	1	SUPPORT KIT f. Scrubtec 343	[1]
00	909 5371 000	2	Kohlebürste	[2]
00	145 3824 000	1	Sicherung 40 A	[1]
00	145 8513 000	1	FUSE BLADE 30A UL	[1]
00	9100000559	1	Rad grau D.51	[2]
00	9100000868	1	VIBRATION DAMPING M8 60SH 2 PCS SET	[2]
00	L08812480	1	Polygonaufnahme	[1]
00	9099757000	1	NUT HEX M8 INSULATING PLASTIC	[1]
00	L08603880	1	Abweissrollen-Kit A 430S	[2]
00	9098308000	1	Bürstenmotor 450 W 24V	[1]
00	9100001348	2	CLAMP 14/32-52 10 PCS SET	[1]
00	9099332000	1	SWITCH ROTATIVE 4 POSITIONS	[1]
00	9099107000	1	SWITCH SINGLE-POLE MOMENTARY	[1]
00	9097209000	1	SWITCH ELECTROMAGNETIC 24V	[1]
00	9100000870	1	SOLENOID VALVE 24V PKD	[1]
00	9100000184	1	CARD ELECTRONIC FUNCTIONS KIT	[1]
00	9100000959	1	MOTOR VACUUM 300W 24V KIT	[2]
00	909 5637 000	1	Gasdruckfeder BA 410	[1]
00	9097354000	1	Sauglippen-Set PU Ø 720 mm, 28"	[1]
00	9099771000	1	ADJUSTABLE DECK KIT	[1]
00	909 5554 000	1	Absaugleiste - Oberteil	[1]
00	9100000860	1	FILTER WATER PKD	[2]
00	909 6380 000	1	Schlauchklammer BR 601BR 751	[1]
00	9100000290	1	Einbauladegerät 24V-8A 100-230V	[1]
00	9098376000	1	CARBON BRUSHES KIT 4 PCS	[2]
00	9099106000	1	COVER PEDAL	[2]
00	9100001947	1	SAUGSCHLAUCH 850MM 90 SCHWARZ PKD	[2]
00	9099104000	1	HARNESS ELECTRIC COMP. BOX	[1]
00	9099756000	1	FUSE 125A	[1]

Part Notes:

- [1] - E O M
- [2] - O M
- [3] - N W

