

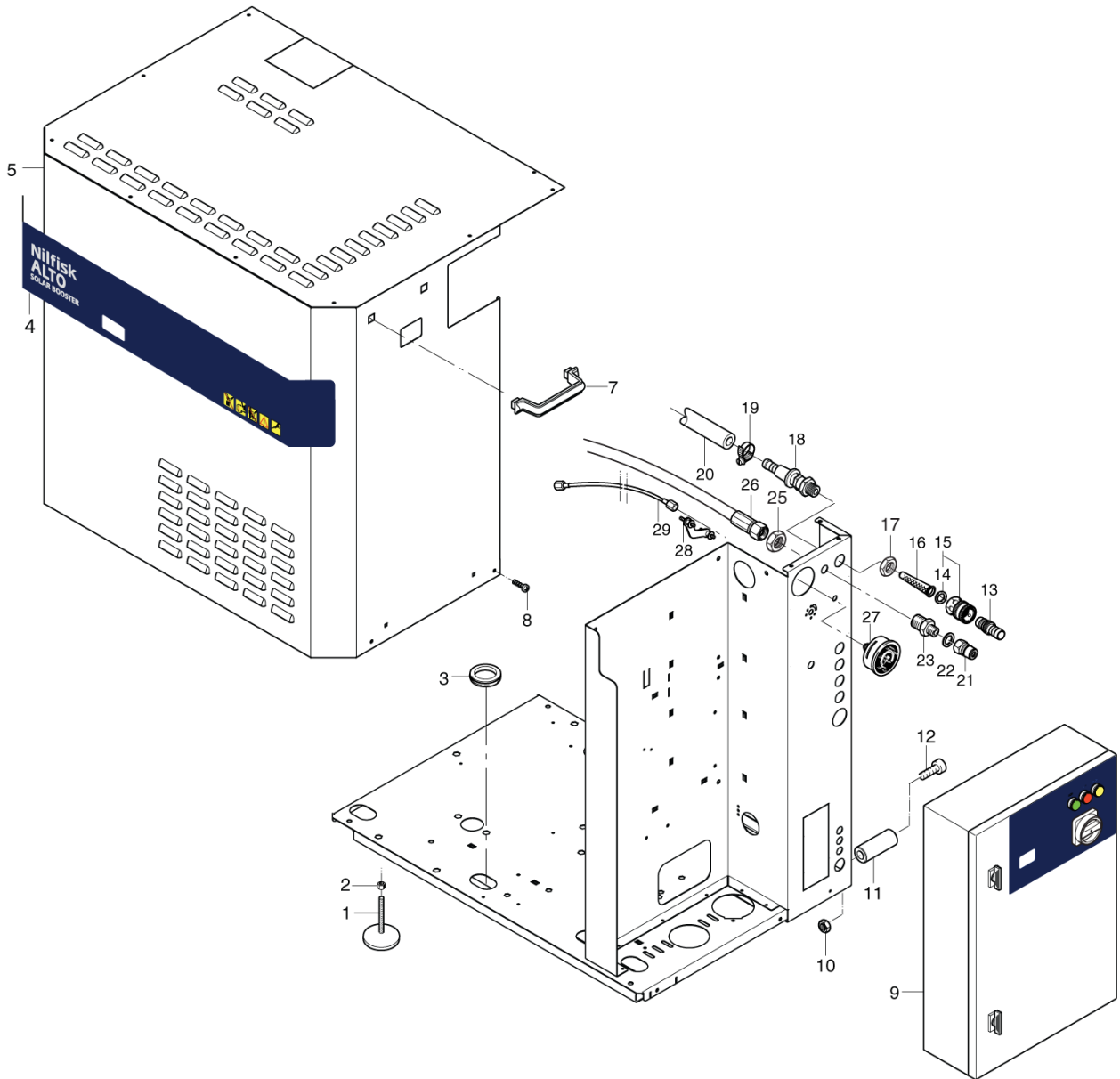
PARTS LIST



2020.10.01

TABLE OF CONTENTS

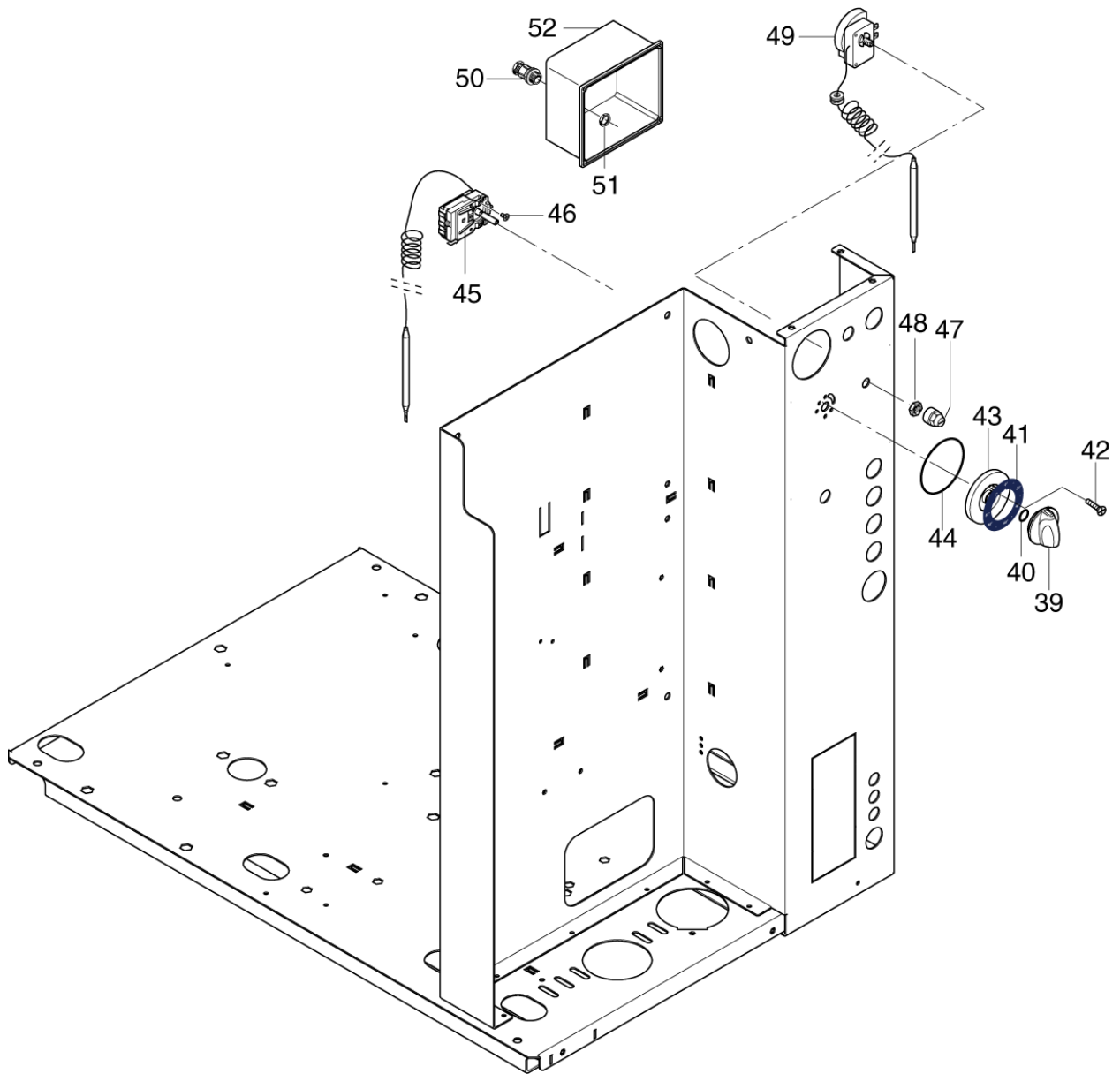
| | |
|---------------------------------|----|
| Overview 1 | 1 |
| Overview 2 | 3 |
| Elektronik -36H und 54H | 5 |
| Elektronik -18H | 8 |
| Motor-Pumpeneinheit 7 (a) | 10 |
| Motor-Pumpeneinheit 7 (b) | 12 |
| Motor-Pumpeneinheit 7 (c) | 14 |
| Motor-Pumpeneinheit 7 (d) | 16 |
| Motorpumpeneinheit 7 (e) | 18 |
| Heiztank | 21 |
| Default accessories | 23 |
| Recommended spare parts | 25 |



| Pos. | Artikel-Nr. | Menge | Variante | Notes |
|------|-------------|-------|-------------------------------|-------|
| 01 | 104601172 | 4 | Halteblock M12X7 | |
| 02 | 1810068 | 4 | Mutter | |
| 03 | 103004331 | 5 | SLEEVE PVC 45/ 60 | |
| 04 | 107319001 | 1 | Front Label Solar Booster | |
| 05 | 107318078 | 1 | Gehäuse Solar D/EH | |
| 07 | 107318079 | 1 | HANDLE FOR CABINET | |
| 08 | 107143307 | 5 | SCREW M5X16 A2 ECO-FIX FORM H | |
| 09 | | 1 | El-box | [1] |
| 10 | 1801905 | 3 | Mutter M8 | |
| 11 | 107318080 | 3 | SPACER | |
| 12 | 1812296 | 3 | SCREW M8X25 STAINLESS | |
| 13 | 1600659 | 1 | Nippel, Schnellkupplung | |
| 14 | 3001237 | 1 | Dichtung | |
| 15 | 1602945 | 1 | Kupplung kpl. 3/4 | |
| 16 | 6100941 | 1 | Filter | |
| 17 | 1800341 | 1 | Gegenmutter 3/4 | |
| 18 | 6100937 | 1 | Verbindungsstück | |
| 19 | 1810191 | 2 | Schlauchschelle 14-27 | |
| 20 | 106408242 | 1 | HOSE 5/8INCH - 2 METERS | |
| 21 | 1603101 | 1 | Nippel Schnellkupplung | |
| 22 | 1801075 | 1 | Dichtring | |
| 23 | 6200484 | 1 | Verschraubung | |
| 24 | 1810076 | 1 | Zahnscheibe M18 | |
| 25 | 1803220 | 1 | Mutter M18x1,5 I | |
| 26 | 107318088 | 1 | Hochdruckschlauch DN 8 | |
| 27 | 3600301 | 1 | Manometer | |
| 28 | 1808088 | 1 | Spannstueck fuer Manomete | |
| 29 | 102406647 | 1 | Manometerrohr | |

Part Notes:

- [1] - El-box
See Electric parts 18Hor Electric parts 36H, 54H



| Pos. | Artikel-Nr. | Menge | Variante | Notes |
|------|-------------|-------|---------------------------------|-------|
| 39 | 909100204 | 1 | Drehknopf 6x5 blau | |
| 40 | 9868 | 1 | O-Ring 10x2,5 | |
| 41 | 107319071 | 1 | Beschriftung | |
| 42 | 1801612 | 2 | Schraube | |
| 43 | 107313045 | 1 | Sockel kpl. | |
| 44 | 3001443 | 1 | O-Ring | |
| 45 | 101118279 | 1 | THERMOSTAT 0-85 KIT | [1] |
| 46 | 1801612 | 2 | Schraube | |
| 47 | 34970 | 1 | Kappe f. Temp.-Begrenzer | |
| 48 | 47313 | 1 | Mutter M10x1x3 | |
| 49 | 101118278 | 1 | SAFETY THERMOSTAT 97 DEG 6K KIT | [1] |
| 50 | 103821788 | 1 | CABLE BUSHING | |
| 51 | 103821789 | 1 | NUT M12X1.5 PA | |
| 52 | 107318085 | 1 | Abdeckung für Elektrokomponente | |

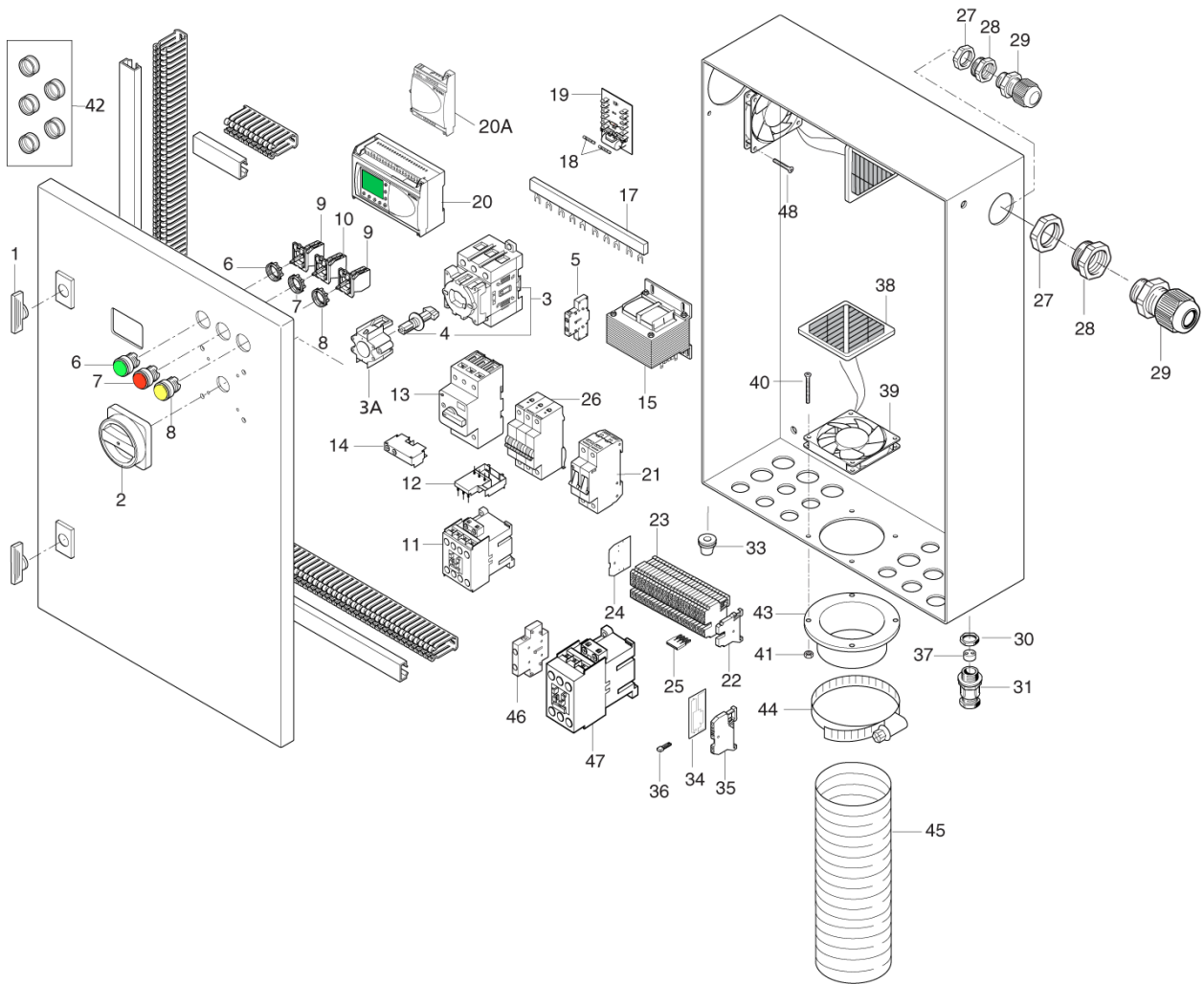
Part Notes:

[1] - MI - Thermostat

TSB-PPW-2017-010 SH SOLAR E, Thermostat Installation Instruction

DE TSB-PPW-2017-010 SH SOLAR E Neue Installationsanweisung Sicherheitsh...

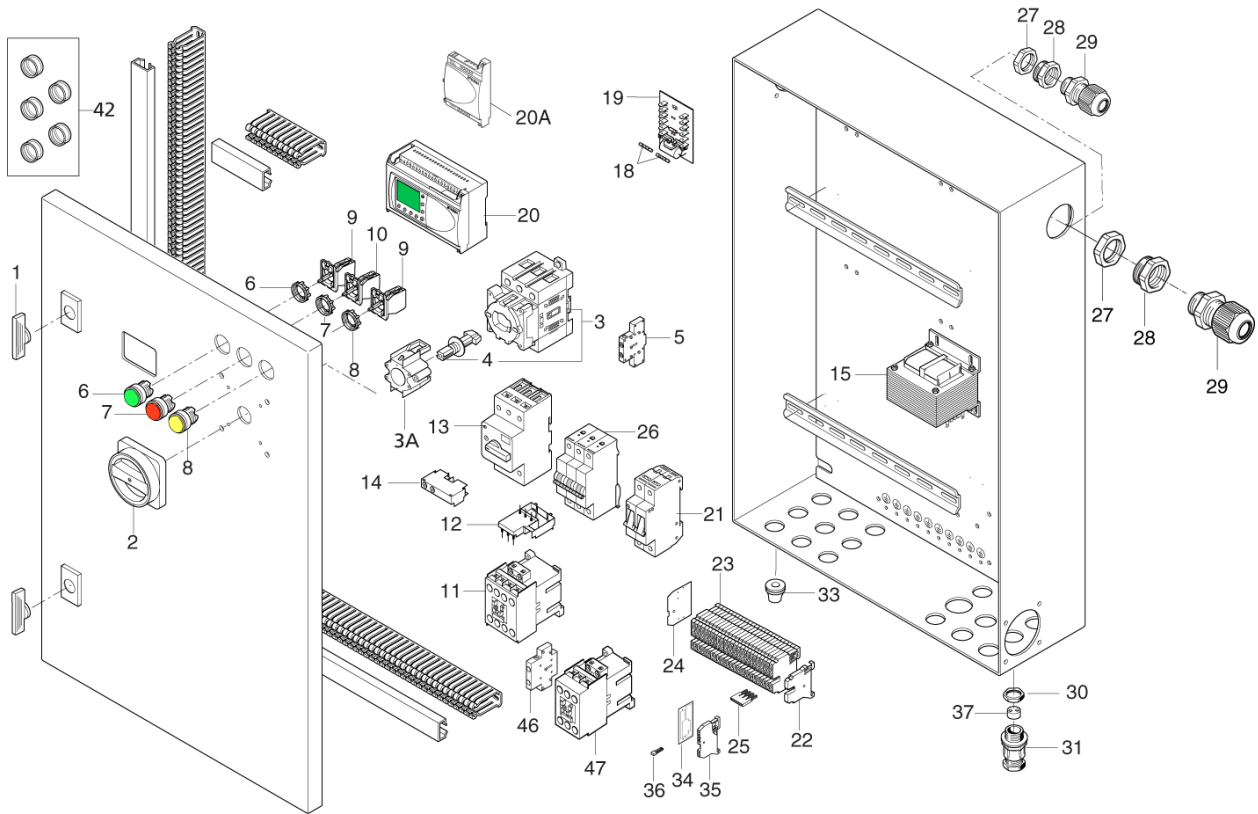
FR TSB-PPW-2017-010 SH SOLAR E Instruction pour thermostat



| Pos. | Artikel-Nr. | Menge | Variante | Notes |
|------|-------------|-------|---|-------|
| 01 | 103821959 | 2 | KEY | |
| 02 | 3830121 | 1 | Griff für Hauptschalter | |
| 03 | 103821895 | 1 | Hauptschalter, 100A | |
| 03 | 103821908 | 1 | Hauptschalter 63A | |
| 03A | 103821907 | 3 | Wellenerweiterung | |
| 04 | 103821961 | 1 | Achse für Hauptschalter | |
| 05 | 107318225 | 1 | Hilfsschalter | |
| 06 | 103821823 | 1 | Leuchttaster Vorsatz grün | |
| 07 | 103821824 | 1 | Leuchttaster Vorsatz rot | |
| 08 | 103821900 | 1 | Leuchttaster Vorsatz gelb | |
| 09 | 103821825 | 2 | Tastschalter Schließer | |
| 10 | 103821826 | 1 | Tastschalter Öffner | |
| 11 | 103822317 | 1 | Schütz CJX2-D32-B7 24V | |
| 11 | 103822306 | 1 | Schütz CJX2-D18-B7 24V | |
| 12 | 103821899 | 1 | Anschlussmodul | |
| 13 | 103821898 | 1 | Überstromrelais 10-16A | [1] |
| 13 | 3817319 | 1 | Höchststromschalter KTA3- | [2] |
| 14 | 103821929 | 1 | Hilfsschalter 140M-C-AFA01 | |
| 15 | 103821847 | 1 | Steuertrafo 230V 24/19V | |
| 15 | 103821846 | 1 | Steuertrafo 400V | |
| 17 | 107318106 | 1 | Steckbrücke 9-Module | [3] |
| 17 | 107318105 | 1 | Steckbrücke 6-Module | [4] |
| 18 | 3812385 | 2 | Feinsicherung 6,3 A | |
| 19 | 106420051 | 1 | Steuerelektronik UNO DUO | |
| 20 | 106426055 | 1 | SPS-Steuerung | |
| 20A | 103821948 | 1 | Trägerschiene für Reihenklemme AL2-4EYR | |
| 21 | 103821905 | 1 | Sicherung | |
| 22 | 103821922 | 6 | Abschlussplatte | |
| 23 | 103821920 | 27 | Reihenklemme | |
| 24 | 103821921 | 1 | Endplatte | |
| 25 | 103821924 | 2 | Brücke 4-polig | |
| 26 | 107318096 | 3 | Schütz 3P 32A 10KA | [5] |
| 27 | 103821842 | 1 | Reduzierung M40-M32 | |
| 27 | 103821832 | 1 | NUT M25X1.5 PA/L GREY | [6] |
| 28 | 103821874 | 1 | REDUCTION M40/M25 | |
| 29 | 103821872 | 1 | CABLE BUSHING M40X1.5 | [6] |
| 29 | 103821831 | 1 | CABLE BUSHING | |
| 30 | 103821778 | 4 | NUT M20X1.5 | |
| 31 | 103821785 | 4 | Kabelverschraubung | |
| 33 | 3803780 | 9 | Tülle | |
| 34 | 103821968 | 1 | Endplatte WAGO 4MM2 | |
| 35 | 103821967 | 6 | Kabelführung WAGO281 800V 4MM2 | |
| 36 | 103821969 | 2 | Steckbrücke | |
| 37 | 103821942 | 1 | INSERT 2X4 | |
| 37 | 103821946 | 1 | Einsatz 3x6,5 | |
| 38 | 107318098 | 2 | FILTER COVER FOR FAN | |
| 39 | 107318099 | 2 | FAN 80X80X20 24V | |
| 40 | 107318103 | 4 | SCREW M4X40 DIN965-A | |
| 41 | 1800127 | 8 | Gegenmutter | |
| 42 | 107318028 | 1 | Schutzkappe (VPE 5 Stück) | |
| 43 | 107318100 | 1 | FLANGE FOR EL-BOX | |
| 44 | 107318102 | 1 | HOSE CLAMP 71-95MM | |
| 45 | 107318101 | 1 | FLEXIBLE HOSE D90 L 250MM | |
| 46 | 3821748 | 1 | AUXILIARY SWITCH AB 100-SB10 | [2] |
| 47 | 103822317 | 3 | Schütz CJX2-D32-B7 24V | [5] |
| 48 | 107318083 | 4 | SCREW M4X35 DIN965-A 4X | |

Part Notes:

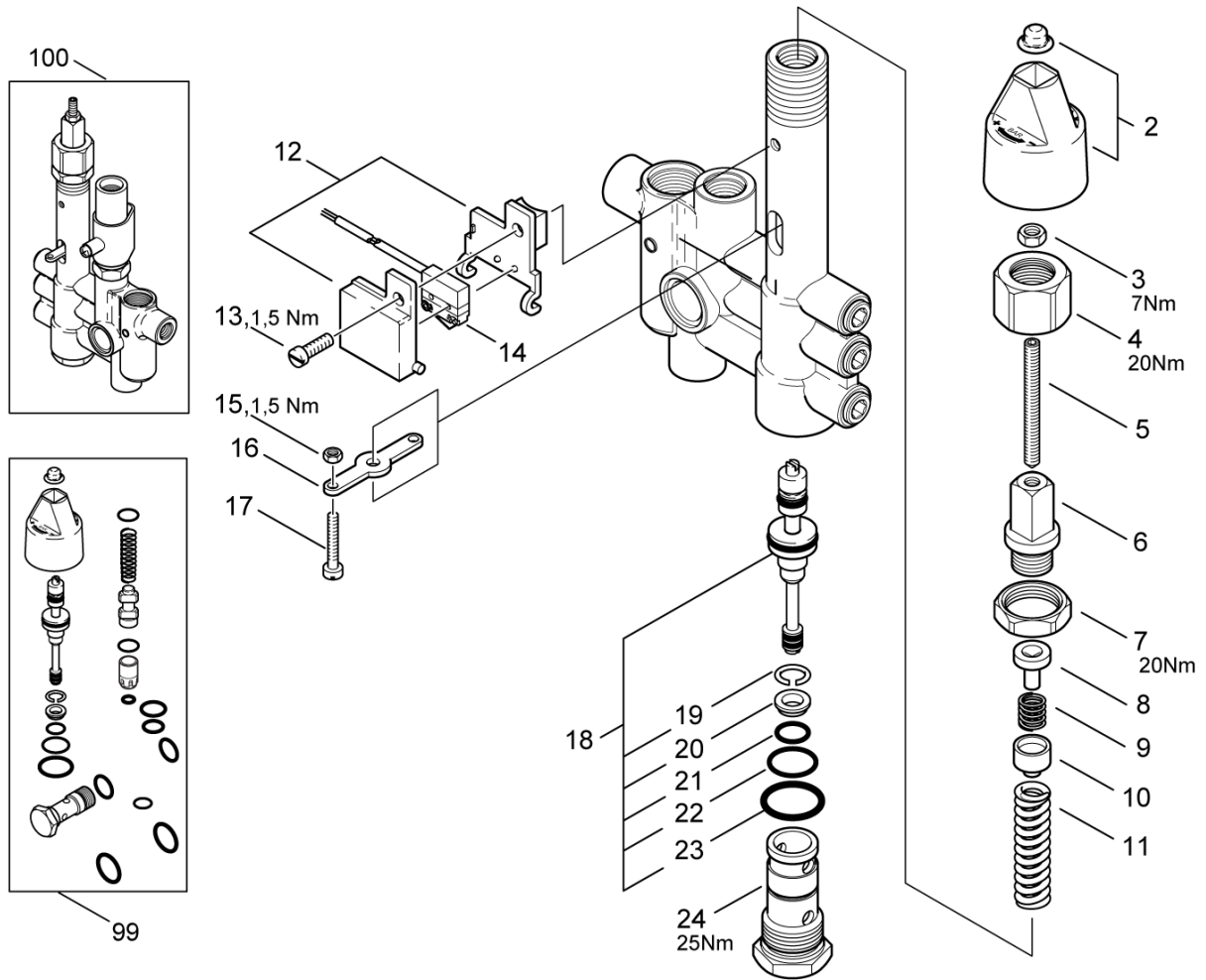
- [1] - From week 34 2009
- [2] - Up to week 34 2009
- [3] - 54H
- [4] - 36H
- [5] - 2 pcs. 36H, 3 pcs. 54H
- [6] - OPTION



| Pos. | Artikel-Nr. | Menge | Variante | Notes |
|------|-------------|-------|---|-------|
| 01 | 103821959 | 1 | KEY | |
| 02 | 3830121 | 1 | Griff für Hauptschalter | |
| 03 | 103821908 | 1 | Hauptschalter 63A | |
| 03A | 103821907 | 3 | Wellenerweiterung | |
| 04 | 103821961 | 1 | Achse für Hauptschalter | |
| 05 | 107318225 | 1 | Hilfsschalter | |
| 06 | 103821823 | 1 | Leuchttaster Vorsatz grün | |
| 07 | 103821824 | 1 | Leuchttaster Vorsatz rot | |
| 08 | 103821900 | 1 | Leuchttaster Vorsatz gelb | |
| 09 | 103821825 | 1 | Tastschalter Schließer | |
| 10 | 103821826 | 1 | Tastschalter Öffner | |
| 11 | 103822317 | 1 | Schütz CJX2-D32-B7 24V | |
| 11 | 103822306 | 1 | Schütz CJX2-D18-B7 24V | |
| 12 | 103821899 | 1 | Anschlussmodul | |
| 13 | 103821898 | 1 | Überstromrelais 10-16A | [1] |
| 13 | 3817319 | 1 | Höchststromschalter KTA3- | [2] |
| 14 | 103821929 | 1 | Hilfsschalter 140M-C-AFA01 | |
| 15 | 103821846 | 1 | Steuertrafo 400V | |
| 18 | 3812385 | 1 | Feinsicherung 6,3 A | |
| 19 | 106420051 | 1 | Steuerelektronik UNO DUO | |
| 20 | 106426055 | 1 | SPS-Steuerung | |
| 20A | 103821948 | 1 | Trägerschiene für Reihenklemme AL2-4EYR | |
| 21 | 103821905 | 1 | Sicherung | |
| 22 | 103821922 | 6 | Abschlussplatte | |
| 23 | 103821920 | 27 | Reihenklemme | |
| 24 | 103821921 | 1 | Endplatte | |
| 25 | 103821924 | 2 | Brücke 4-polig | |
| 26 | 107318096 | 1 | Schütz 3P 32A 10KA | |
| 27 | 103821832 | 1 | NUT M25X1.5 PA/L GREY | [3] |
| 27 | 103821842 | 1 | Reduzierung M40-M32 | |
| 28 | 103821874 | 1 | REDUCTION M40/M25 | |
| 29 | 103821831 | 1 | CABLE BUSHING | |
| 29 | 103821872 | 1 | CABLE BUSHING M40X1.5 | [3] |
| 30 | 103821778 | 4 | NUT M20X1.5 | |
| 31 | 103821785 | 4 | Kabelverschraubung | |
| 33 | 3803780 | 9 | Tülle | |
| 34 | 103821968 | 1 | Endplatte WAGO 4MM2 | |
| 35 | 103821967 | 6 | Kabelführung WAGO281 800V 4MM2 | |
| 36 | 103821969 | 2 | Steckbrücke | |
| 37 | 103821942 | 1 | INSERT 2X4 | |
| 37 | 103821946 | 1 | Einsatz 3x6,5 | |
| 42 | 107318028 | 1 | Schutzkappe (VPE 5 Stück) | |
| 46 | 3821748 | 1 | AUXILIARY SWITCH AB 100-SB10 | [2] |
| 47 | 103822317 | 1 | Schütz CJX2-D32-B7 24V | |

Part Notes:

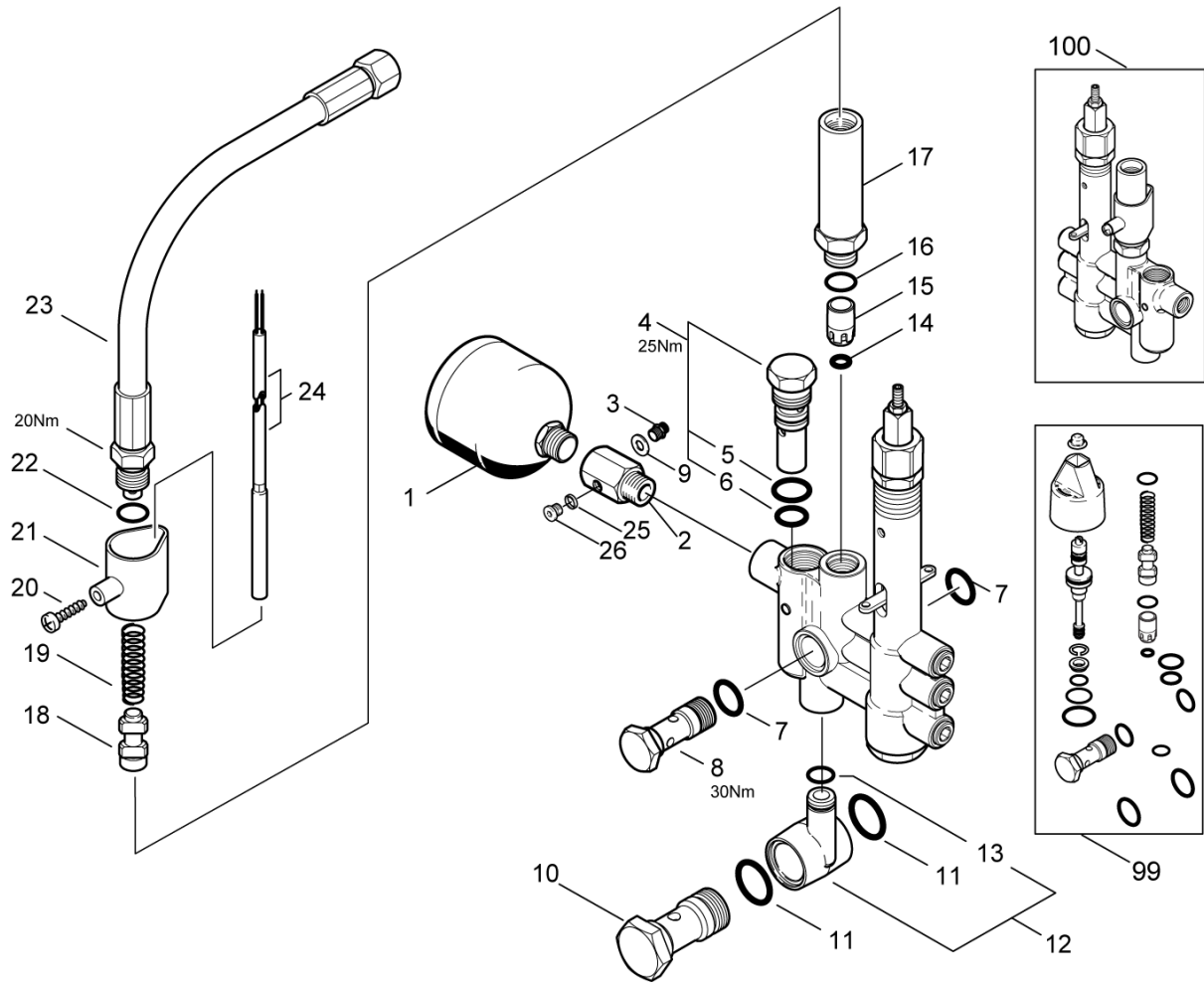
- [1] - From week 34 2009
- [2] - Up to week 34 2009
- [3] - OPTION



| Pos. | Artikel-Nr. | Menge | Variante | Notes |
|------|-------------|-------|-------------------------------------|-------|
| 100 | 301000903 | 1 | Regelsicherheitsblock | [1] |
| 2 | 62397 | 1 | Drehgriff | [2] |
| 3 | 3136 | 1 | Sechskantmutter M6 ISO 4032 zn | [3] |
| 4 | 62710 | 1 | Überwurfmutter | [3] |
| 5 | 62711 | 1 | Gewindestift M6x60 | [3] |
| 6 | 62712 | 1 | Hohlschraube | [3] |
| 7 | 62696 | 1 | Sechskantmutter M24x1,5x | [3] |
| 8 | 62695 | 1 | Federhalter | [3] |
| 9 | 62713 | 1 | Feder | [3] |
| 10 | 62694 | 1 | Federhalter | [3] |
| 11 | 40972 | 1 | Feder | [3] |
| 12 | 62401 | 1 | Halter | |
| 13 | 3349 | 1 | Zylinderschraube M5x16 | |
| 14 | 301000731 | 1 | Schalter | |
| 15 | 2759 | 1 | Sechskantmutter M4 ISO 4032 -8 zn | |
| 16 | 62717 | 1 | Hebel | [3] |
| 17 | 101117739 | 1 | Flachkopfschraube | |
| 18 | 64314 | 1 | Reparatursatz Steuerkolben | [4] |
| 19 | 909100001 | 1 | Sprengring 14 | [4] |
| 20 | 62708 | 1 | Ventilsitzring | [4] |
| 21 | 49461 | 1 | O-Ring 11x1,5 | [4] |
| 22 | 9523 | 1 | O-Ring 17x1,5 | [4] |
| 23 | 32091 | 1 | O-Ring 21x2 | [4] |
| 24 | 64301 | 1 | Hohlschraube | [3] |
| 99 | 301001195 | 1 | Reparatursatz Regelsicherheitsblock | |

Part Notes:

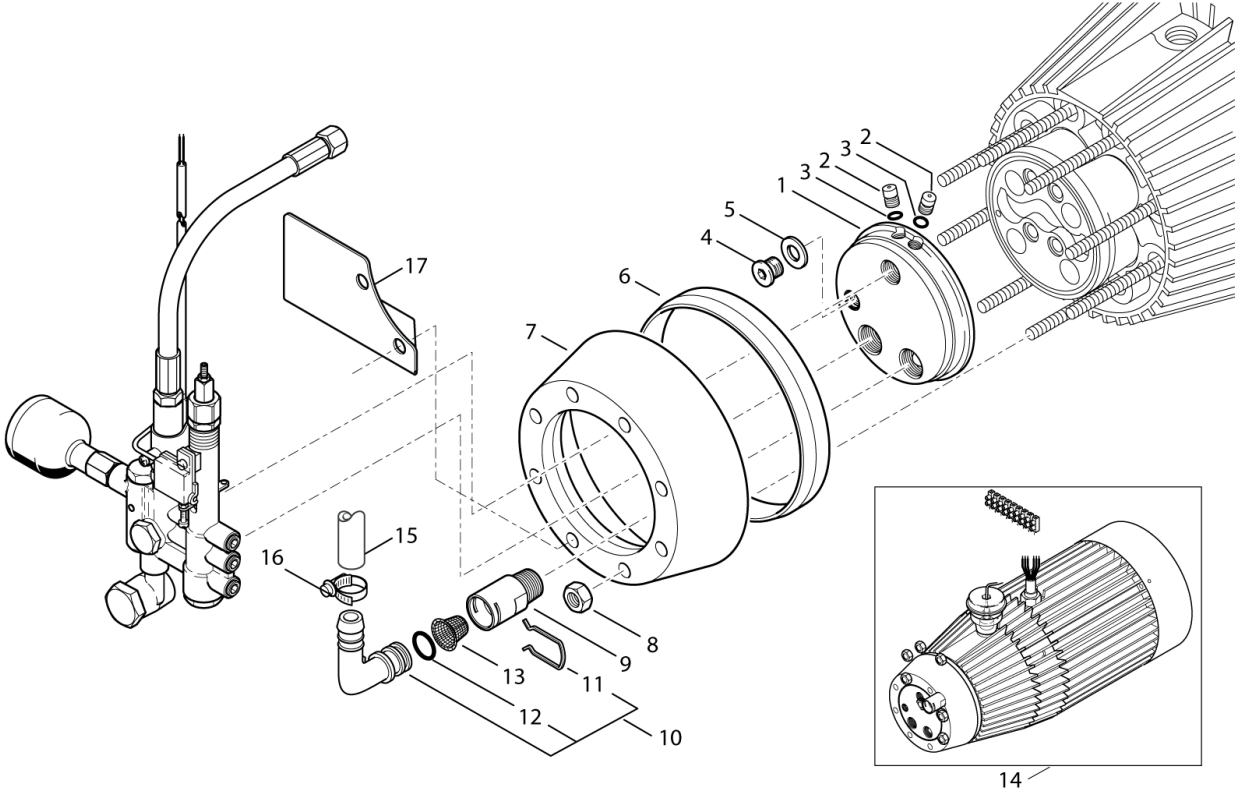
- [1] - 250BAR
- [2] - part of pos. 99
- [3] - part of pos. 100
- [4] - part of pos. 99 and 100



| Pos. | Artikel-Nr. | Menge | Variante | Notes |
|------|-------------|-------|-------------------------------------|-------|
| 100 | 301000903 | 1 | Regelsicherheitsblock | [1] |
| 1 | 63090 | 1 | Hydrospeicher | |
| 2 | 107312001 | 1 | Muffe | |
| 3 | 1821 | 1 | Verbindungsstück | |
| 4 | 301000911 | 1 | Sicherheitsventil | |
| 5 | 16443 | 1 | O-Ring 17,0 x 2,0 DIN 3770 NBR70 | [2] |
| 6 | 62706 | 1 | O-Ring 13,0 x 2,0 DIN 3770 NBR70 | [2] |
| 7 | 16443 | 2 | O-Ring 17,0 x 2,0 DIN 3770 NBR70 | [2] |
| 8 | 62697 | 1 | Hohlschraube | [2] |
| 9 | 101814735 | 1 | Dichtring | |
| 10 | 107121503 | 1 | Hohlschraube | |
| 11 | 24347 | 2 | O-Ring 21,0 x 2,5 DIN 3770 FPM80 | [2] |
| 12 | 63058 | 1 | Anschlussstück | |
| 13 | 13739 | 1 | O-Ring 10,0 X2,0 DIN | [2] |
| 14 | 56519 | 1 | O-Ring 6,5 x 3,0 SMS 1586 NBR90 | [3] |
| 15 | 301000905 | 1 | Kolben | [3] |
| 16 | 16998 | 1 | O-Ring 14x1,5 | [3] |
| 17 | 62722 | 1 | Kolbenführung | [4] |
| 18 | 63538 | 1 | Kolben | [2] |
| 19 | 6231 | 1 | Feder | [2] |
| 20 | 10028 | 1 | Ejotschraube KA50x14 WN1411 verz | [5] |
| 21 | 62399 | 1 | Halter | [6] |
| 22 | 62706 | 1 | O-Ring 13,0 x 2,0 DIN 3770 NBR70 | [2] |
| 23 | 101406030 | 1 | HD-Schlauch | |
| 24 | 301002458 | 1 | Reedschalter | |
| 25 | 101814735 | 1 | Dichtring | |
| 26 | 4443 | 1 | Shr Vers. G1/8 DIN 9 | |
| 99 | 301001195 | 1 | Reparatursatz Regelsicherheitsblock | |

Part Notes:

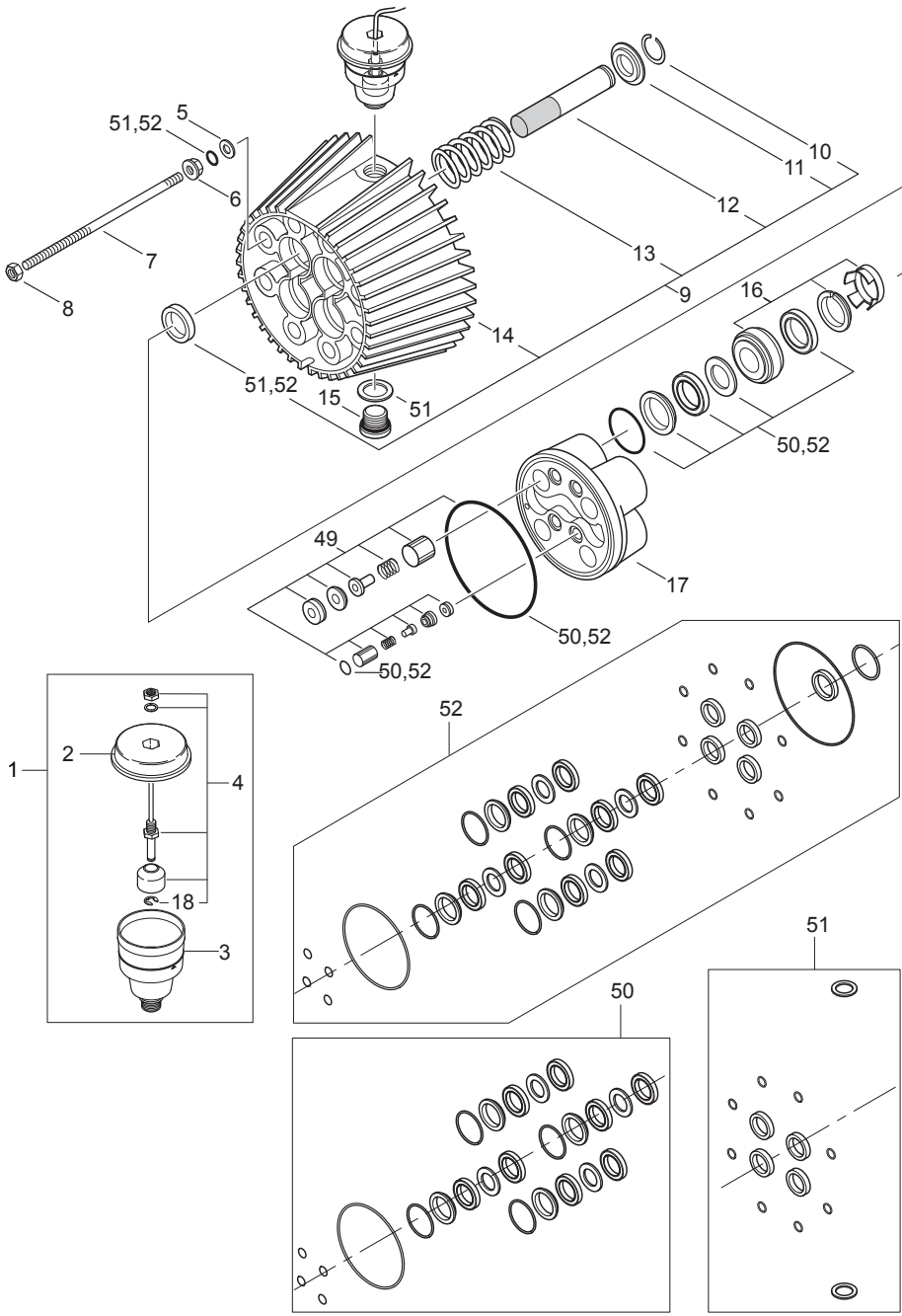
- [1] - 250BAR
- [2] - part of pos. 99
- [3] - part of pos. 99 and 100
- [4] - part of pos. 100
- [5] - part of pos 100
- [6] - part of pos.100



| Pos. | Artikel-Nr. | Menge | Variante | Notes |
|------|-------------|-------|------------------------------|-------|
| 01 | 107121500 | 1 | Scheibe 109x22 | |
| 02 | 107121501 | 2 | Stopfen 8x10,5 | |
| 03 | 3000270 | 2 | O-Ring 5,1x1,6 | |
| 04 | 6180660 | 1 | Pfropfen | |
| 05 | 3001740 | 1 | O-RING 7.66X1.78 NITRIL 70SH | |
| 06 | 6301392 | 1 | Abstandsring | |
| 07 | 6100602 | 1 | Spannring | |
| 08 | 1800465 | 8 | Mutter M10 | |
| 09 | 107121502 | 1 | Hülse | |
| 10 | 1119210 | 1 | Winkelstutzen | |
| 11 | 6180661 | 1 | Klammer | |
| 12 | 3004226 | 1 | O-Ring 13x3 | |
| 13 | 107312039 | 1 | Filter | |
| 14 | 107310010 | 1 | Motorpumpeneinheit | [1] |
| 14 | 107310001 | 1 | Motorpump unit S7-51 EU | [2] |
| 14 | 107310000 | 1 | Motor-Pumpeneinheit | [3] |
| 14 | 107310002 | 1 | Motor Pumpeneinheit | [4] |
| 15 | 106408242 | 1 | HOSE 5/8INCH - 2 METERS | |
| 16 | 8298 | 1 | Schlauchschelle SGL 16-27 | |
| 17 | 107318139 | 1 | BRACKET FOR C3 | |

Part Notes:

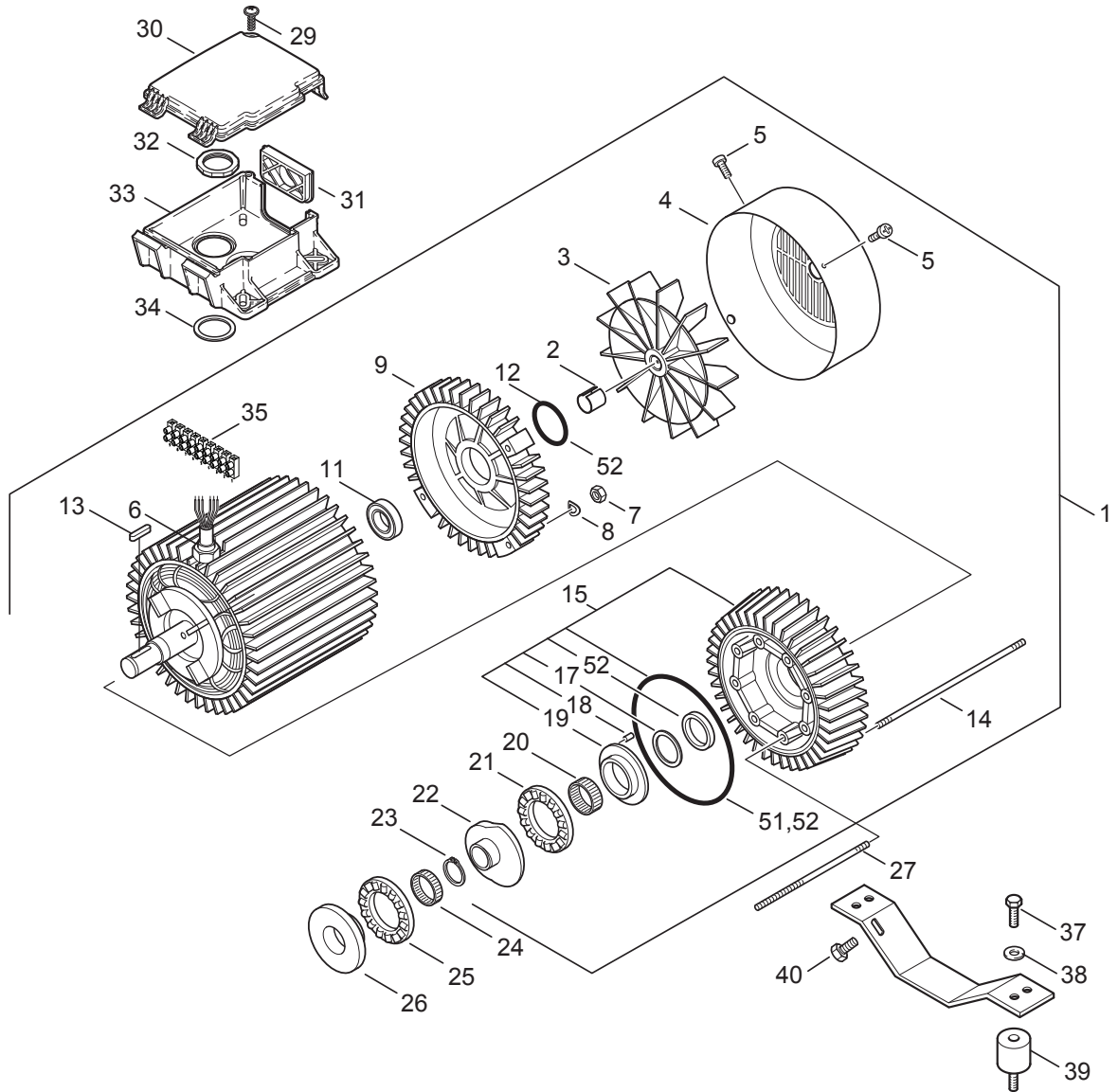
- [1] - for 7-63D
- [2] - for 7-51D, 7-51GH and 7-52GH
- [3] - for 7-57 and 7-58D, 7-58E, 7-58G
- [4] - for 7-37E and 7-38E



| Pos. | Artikel-Nr. | Menge | Variante | Notes |
|------|-------------|-------|----------------------------|-------|
| | 31001229 | 1 | OIL ISO 150 ALPHASYN-T 20L | |
| 0- | 5218433 | 1 | Pumpenöl 150 1x1l | [1] |
| 1 | 301000616 | 1 | Füllstandsanzeige Pumpenö | |
| 2 | 301000615 | 1 | Deckel | |
| 3 | 301000614 | 1 | Öltank | |
| 4 | 301001196 | 1 | Schwimmerschalter | |
| 5 | 6100718 | 8 | Scheibe 10x16x1 | |
| 6 | 6100719 | 8 | Druckring | |
| 7 | 6301368 | 8 | Stehbolzen | |
| 8 | 1800465 | 8 | Mutter M10 | |
| 9 | 6300071 | 1 | Zylinderblock Kompl. | |
| 10 | 1802529 | 4 | Sicherungsring 24 | |
| 11 | 6100666 | 4 | Ring | |
| 12 | 6301166 | 4 | Keramischer Druckkolben | |
| 13 | 102602517 | 4 | RUECKHOLFEDER C3 | |
| 14 | 6100610 | 1 | Zylinderblock | |
| 15 | 6150400 | 1 | Verschlusspfropfen | |
| 16 | 101119850 | 4 | Dichtung Set Gleitring | |
| 17 | 107120701 | 1 | Zylinderkopf C3 | |
| 18 | 107142593 | 1 | HOLDING WASHER PE | [2] |
| 49 | 1119195 | 1 | Reparatursatz Ein-Auslas | |
| 50 | 1119571 | 1 | Dichtsatz | [3] |
| 51 | 1119820 | 1 | Reparatursatz Öldichtung | |
| 52 | 1119570 | 1 | Dichtsatz | [3] |

Part Notes:

- [1] - 1,1 l - OIL TYPES_QUANTITY for HPW_APRIL 2017
- [2] - TSB-PPW-2016-017 Locking ring for oil level switch falling off
- [3] - TSB-PPW-2016-011 Rep kit 1119571 and 1119570 potential have wrong O-ring in kit
DE TSB-PPW-2016-011 Rep Kit 1119571 und 1119570 beinhalten möglicherweise einen falschen O-Ring



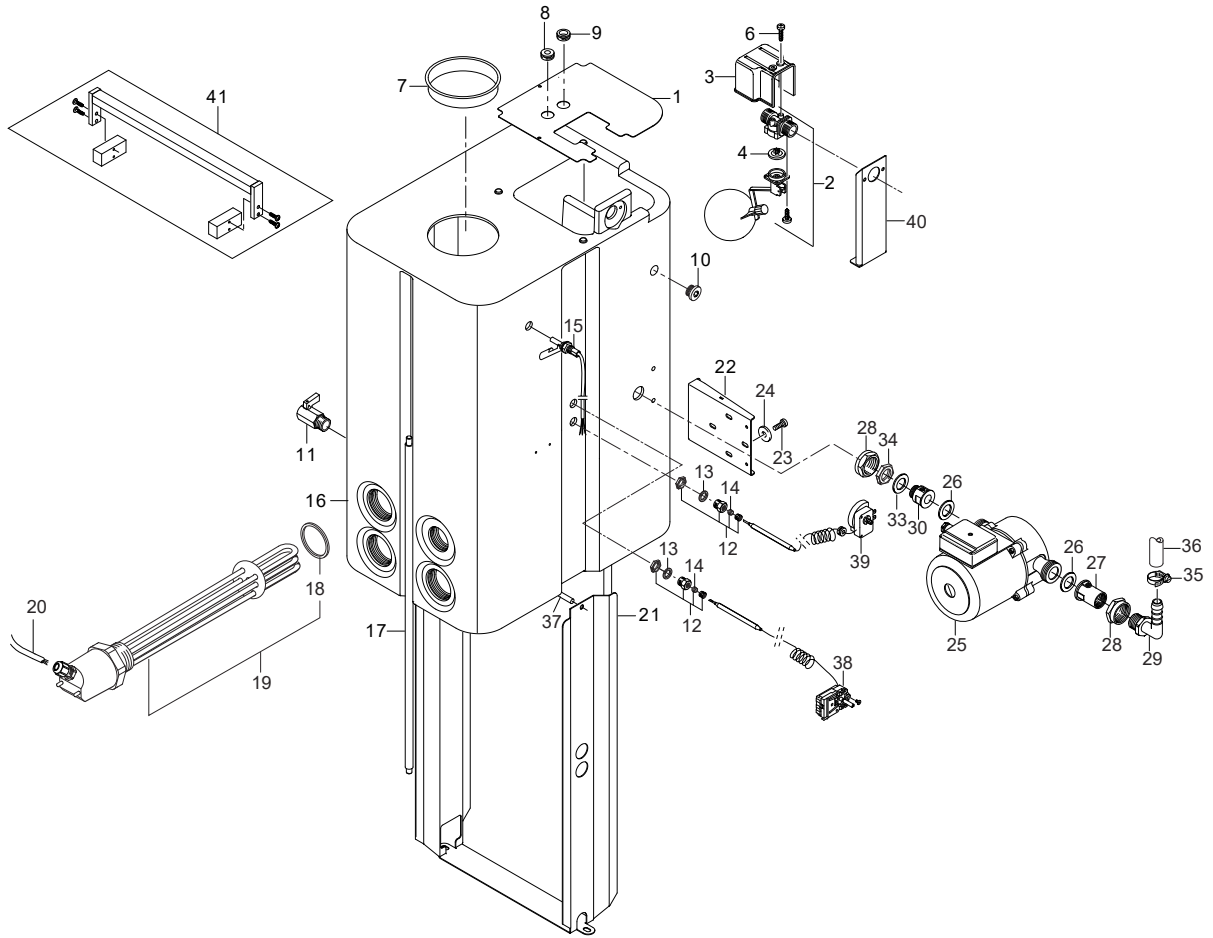
| Pos. | Artikel-Nr. | Menge | Variante | Notes |
|------|-------------|-------|----------------------------------|-------|
| 1 | 107310070 | 1 | Motor 6,5KW 400-415, 230V | [1] |
| 1 | 107310072 | 1 | Motor 5.5kW | [2] |
| 1 | 107310071 | 1 | Motor 5,5 Kw 400-415 230/ | [3] |
| 2 | 1802503 | 1 | Sicherungshülse | |
| 3 | 107142275 | 1 | FAN AND RETAINING RING | [4] |
| 3 | 6100607 | 1 | Ventilator | [5] |
| 4 | 107142276 | 1 | COVER FOR FAN | [4] |
| 4 | 6100609 | 1 | Deckel | [6] |
| 5 | 101814693 | 4 | Schraube M4x8 | |
| 7 | 2758 | 4 | Sechskantmutter M8 DIN 934 zn | |
| 8 | 1801182 | 4 | Federring 8,1 | |
| 9 | 6100611 | 1 | N-Lagerdeckel | [7] |
| 9 | 107140617 | 1 | Lagerabdeckung | [8] |
| 9 | 107142277 | 1 | REAR BEARING COVER | [4] |
| 11 | 3200623 | 1 | N-Lager | |
| 12 | 107318244 | 1 | O Ring 51,6x2,4 NBR 70 | |
| 13 | 3200672 | 1 | Passfeder 6x6x32 | |
| 14 | 6100711 | 8 | Stehbolzen L261mm | |
| 14 | 6100712 | 8 | Stehbolzen L306mm | [9] |
| 15 | 6101750 | 1 | D-Lagerdeckel Kompl. | [10] |
| 15 | 107140615 | 1 | Lagerabdeckung, vorn | [11] |
| 17 | 6100995 | 1 | Scheibe 53x40,5x1,25 | |
| 18 | 6100996 | 1 | Kegelstift | |
| 19 | 107120703 | 1 | Lagerscheibe Motorseitig | [12] |
| 20 | 3200656 | 1 | Nadellager K40x45x17 | |
| 21 | 3200615 | 1 | Axialrollenlager | |
| 22 | 107120708 | 1 | Taumelscheibe No.4 | [13] |
| 22 | 107120716 | 1 | Taumelscheibe No.12 | [14] |
| 22 | 107120714 | 1 | Taumelscheibe 10 | [15] |
| 22 | 107120707 | 1 | Taumelscheibe 3 | [16] |
| 23 | 1802511 | 1 | Sicherungsring 28x1,2 | |
| 24 | 3200664 | 1 | Nadellager K40x45x13A | |
| 25 | 3200615 | 1 | Axialrollenlager | |
| 26 | 107120704 | 1 | Lagerscheibe Pumpenseiti | [12] |
| 27 | 6301368 | 8 | Stehbolzen | |
| 29 | 10028 | 1 | Ejotschraube KA50x14 WN1411 verz | |
| 30 | 301000782 | 1 | Deckel | |
| 31 | 17106 | 1 | Abschlussdeckel | |
| 32 | 20862 | 1 | Rohrmutter R1 | |
| 33 | 301000781 | 1 | Rahmen | |
| 34 | 103004340 | 1 | Dichtring 1 | |
| 35 | 101117839 | 1 | Klemmleiste | |
| 37 | 1803089 | 4 | SCREW INSEX M8X12 | |
| 38 | 1800317 | 4 | Scheibe | |
| 39 | 107318091 | 4 | Schwingungsdämpfer | |
| 40 | 1802651 | 2 | Schraube M10x20 | |
| 51 | 1119820 | 1 | Reparatursatz Öldichtung | |
| 52 | 1119570 | 1 | Dichtsatz | |

Part Notes:

- [1] - 7-58D / 170/1200D
7-58E / 170/1200E
7-58G / 170/1200G7-66D (DISC no. 12)TSB-PPW-2011-013 C3 Pump information
- [2] - 7-38E / 135/875E (DISC no. 3)
- [3] - 7-52GH / 150/1100GH(DISC no. 10)
- [4] - RF – has Nilfisk letter on the motor type plate
- [5] - EME with 2 holes EME – has EME letter on the motor type plate
- [6] - EME – has EME letter on the motor type plate

-
- [7] - Up to week 32 2009 (ATB)
 - [8] - ALTERNATIVE BUY NEW MOTOR COMPLETE

From week 32 2009 EME – has EME letter on the motor type plate
 - [9] - STOCK COVERS GUARANTEE
 - [10] - Up to week 32 2009 (ATB) - TSB-PPW-2011-013 C3 Pump information TSB-PPW-2011-013 C3 Pump information
 - [11] - From week 32 2009 RF – has Nilfisk letter on the motor type plate TSB-PPW-2011-013 C3 Pump information
 - [12] - TSB-PPW-2019-007 C3 NA6 Wobble Disc and Bearing Track surface hardening change
 - [13] - 5.5kW 440,220/3/60
TSB-PPW-2019-007 C3 NA6 Wobble Disc and Bearing Track surface hardening change
 - [14] - 6.5kW 400,230/3/50
TSB-PPW-2019-007 C3 NA6 Wobble Disc and Bearing Track surface hardening change
 - [15] - 5.5kW-1030 400,230/3/50
TSB-PPW-2019-007 C3 NA6 Wobble Disc and Bearing Track surface hardening change
 - [16] - 5.5kW-810 400,230/3/50
TSB-PPW-2019-007 C3 NA6 Wobble Disc and Bearing Track surface hardening change



| Pos. | Artikel-Nr. | Menge | Variante | Notes |
|------|-------------|-------|---------------------------------|-------|
| 1 | 107318114 | 1 | COVER FOR WATERTANK | |
| 2 | 63871 | 1 | Schwimmerventil 3/4-10- | |
| 3 | 34240 | 1 | Abdeckung | |
| 4 | 17379 | 1 | Membrane | |
| 6 | 16860 | 2 | EP- Schraube KA 40x12 WN1412 A2 | |
| 7 | 104601176 | 1 | Revisionsabdeckung | |
| 8 | 5172 | 1 | TÜLLE GUMMI-DG 11 | |
| 9 | 3001427 | 1 | Kabeldurchführung | |
| 10 | G181419 | 1 | Stopfen 24X12 | |
| 11 | 3400819 | 1 | Balofix 1/2oe Hahn | |
| 12 | 107318000 | 2 | Verschraubung | |
| 13 | 1801075 | 2 | Dichtring | |
| 14 | 101609437 | 2 | Kegelring 8mm | |
| 15 | 3817582 | 1 | Niveaunkontakt LS 103-12 | |
| 16 | 107318107 | 1 | Heiztank | |
| 17 | 107318108 | 2 | Stütze für Seitenbesen | |
| 18 | 107318109 | 1 | O-Ring 53.57X3.53 | [1] |
| 19 | 107318110 | 1 | HEATING ELEMENT 18KW | [1] |
| 19 | 107318178 | 1 | HEATING ELEMENT 18KW 440V | [1] |
| 20 | 107318111 | 1 | CABLE FOR HEATING ELEMENT | [1] |
| 21 | 107318112 | 1 | Halterung | |
| 22 | 107318113 | 1 | BRACKET FOR FEED PUMP | |
| 23 | 1814706 | 4 | SCREW M6X8 A2 ISO 7380 | |
| 24 | 1813807 | 4 | Scheibe M6 | |
| 25 | 107318067 | 1 | Förderpumpe 1x230 UP20- | |
| 26 | 103821954 | 2 | Dichtung | [2] |
| 27 | 101609354 | 1 | Verschraubung | |
| 28 | 101609357 | 2 | Überwurfmutter | |
| 29 | 101609353 | 1 | Schlauchstutzen, Winkel | |
| 30 | 107312000 | 1 | Zwischenstück | |
| 33 | 2377 | 1 | Dichtring 27,0x 38,0x 2,0 IT | |
| 34 | 1800341 | 1 | Gegenmutter 3/4 | |
| 35 | 1810191 | 2 | Schlauchschele 14-27 | |
| 36 | 106408242 | 1 | HOSE 5/8INCH - 2 METERS | |
| 37 | 107318097 | 1 | SUPPORT TUBE | |
| 38 | 101118279 | 1 | THERMOSTAT 0-85 KIT | [3] |
| 39 | 101118278 | 1 | SAFETY THERMOSTAT 97 DEG 6K KIT | [4] |
| 40 | 107318173 | 1 | Halter für Wassertank | [5] |
| 41 | 101118283 | 1 | BRACKET KIT FOR HEATING TANK | [6] |

Part Notes:

- [1] - 2 pcs. 36H, 3 pcs. 54H
- [2] - STOCK COVERS GUARANTEE
- [3] - MI - Thermostat

TSB-PPW-2017-010 SH SOLAR E, Thermostat Installation Instruction

DE TSB-PPW-2017-010 SH SOLAR E Neue Installationsanweisung Sicherheitsth...

FR TSB-PPW-2017-010 SH SOLAR E Instruction pour thermostat

- [4] - TSB-PPW-2017-010 SH SOLAR E, Thermostat Installation Instruction

DE TSB-PPW-2017-010 SH SOLAR E Neue Installationsanweisung Sicherheitsth...

FR TSB-PPW-2017-010 SH SOLAR E Instruction pour thermostat

- [5] - TSB-PPW-2011-008 Bracket for Heating Tank

- [6] - TSB-PPW-2017-019 SH SOLAR 7P E, Cracks in heating tank

FR TSB-PPW-2017-019 SH Solar 7P E fissure de la chaudière

DE TSB-PPW-2017-019 SH SOLAR 7P E, Risse in Heiztank

| Pos. | Artikel-Nr. | Menge | Variante | Notes |
|------|-------------|-------|--|-------|
| 0- | 101119742 | 1 | HD-Düse 0530 TORNADO | [1] |
| 0- | 101119747 | 1 | HD-Düse 0680 TORNADO | [2] |
| 0- | 107370955 | 1 | Baugruppe Frostsicherung | [3] |
| 0- | 107370954 | 1 | Baugruppe Frostsicherung | [3] |
| | 107370962 | 1 | OPTION WERKSEITIG EDELSTAHLGEHAEUSE D/EH | |

Part Notes:

- [1] - 7-38E
- [2] - 7-58E
- [3] - Frost protection - ANTI FROST

| Pos. | Artikel-Nr. | Menge | Variante | Notes |
|------|-------------|-------|-------------------------------------|-------|
| 0A | 64314 | 1 | Reparatursatz Steuerkolben | [1] |
| 0A | 1119570 | 1 | Dichtsatz | [1] |
| 0A | 1119820 | 1 | Reparatursatz Öldichtung | [1] |
| 0A | 301000905 | 1 | Kolben | [1] |
| 0A | 3812385 | 1 | Feinsicherung 6,3 A | [1] |
| 0A | 1119571 | 1 | Dichtsatz | [1] |
| 0A | 56519 | 1 | O-Ring 6,5 x 3,0 SMS 1586 NBR90 | [1] |
| 0A | 301001195 | 1 | Reparatursatz Regelsicherheitsblock | [1] |
| 0A | 1119820 | 1 | Reparatursatz Öldichtung | [1] |
| 0A | 1119570 | 1 | Dichtsatz | [1] |
| 0A | 5218433 | 1 | Pumpenöl 150 1x1l | [1] |
| 0A | 6100941 | 1 | Filter | [1] |
| 0A | 1119195 | 1 | Reparatursatz Ein-Auslas | [1] |
| 0A | 63056 | 1 | Reparatursatz Regelsicherheitsblock | [1] |
| 0B | 63871 | 1 | Schwimmventil 3/4-10- | [2] |
| 0B | 107318091 | 1 | Schwingungsdämpfer | [2] |
| 0C | 107318096 | 1 | Schütz 3P 32A 10KA | [3] |
| 0C | 103821847 | 1 | Steuertrafo 230V 24/19V | [3] |
| 0C | 101406030 | 1 | HD-Schlauch | [3] |
| 0C | 103821929 | 1 | Hilfsschalter 140M-C-AFA01 | [3] |
| 0C | 107120701 | 1 | Zylinderkopf C3 | [3] |
| 0C | 3200656 | 1 | Nadellager K40x45x17 | [3] |
| 0C | 103821899 | 1 | Anschlussmodul | [3] |
| 0C | 107120714 | 1 | Taumelscheibe 10 | [4] |
| 0C | 107120716 | 1 | Taumelscheibe No.12 | [4] |
| 0C | 103822306 | 1 | Schütz CJX2-D18-B7 24V | [3] |
| 0C | 101118279 | 1 | THERMOSTAT 0-85 KIT | [3] |
| 0C | 107318088 | 1 | Hochdruckschlauch DN 8 | [3] |
| 0C | 1802511 | 1 | Sicherungsring 28x1,2 | [3] |
| 0C | 3600301 | 1 | Manometer | [3] |
| 0C | 301000731 | 1 | Schalter | [3] |
| 0C | 107120707 | 1 | Taumelscheibe 3 | [4] |
| 0C | 103822317 | 1 | Schütz CJX2-D32-B7 24V | [3] |
| 0C | 6301166 | 1 | Keramischer Druckkolben | [3] |
| 0C | 301002458 | 1 | Reedschalter | [3] |
| 0C | 107140615 | 1 | Lagerabdeckung, vorn | [3] |
| 0C | 103821898 | 1 | Überstromrelais 10-16A | [3] |
| 0C | 3200664 | 1 | Nadellager K40x45x13A | [3] |
| 0C | 107310070 | 1 | Motor 6,5KW 400-415, 230V | [3] |
| 0C | 3817582 | 1 | Niveauekontakt LS 103-12 | [3] |
| 0C | 103821846 | 1 | Steuertrafo 400V | [3] |
| 0C | 107120704 | 1 | Lagerscheibe Pumpenseiti | [4] |
| 0C | 107120708 | 1 | Taumelscheibe No.4 | [4] |
| 0C | 106420051 | 1 | Steuerelektronik UNO DUO | [3] |
| 0C | 101118278 | 1 | SAFETY THERMOSTAT 97 DEG 6K KIT | [3] |
| 0C | 107310072 | 1 | Motor 5.5kW | [3] |
| 0C | 3200615 | 1 | Axialrollenlager | [3] |
| 0C | 301000616 | 1 | Füllstandsanzeige Pumpenö | [3] |
| 0C | 107318110 | 1 | HEATING ELEMENT 18KW | [3] |
| 0C | 107310071 | 1 | Motor 5,5 Kw 400-415 230/ | [3] |
| 0C | 6101750 | 1 | D-Lagerdeckel Kompl. | [3] |
| 0C | 3821748 | 1 | AUXILIARY SWITCH AB 100-SB10 | [3] |
| 0C | 6100602 | 1 | Spannring | [3] |

Part Notes:

- [1] - A
- [2] - B
- [3] - C

[4] - C
TSB-PPW-2019-007 C3 NA6 Wobble Disc and Bearing Track surface hardening change

