

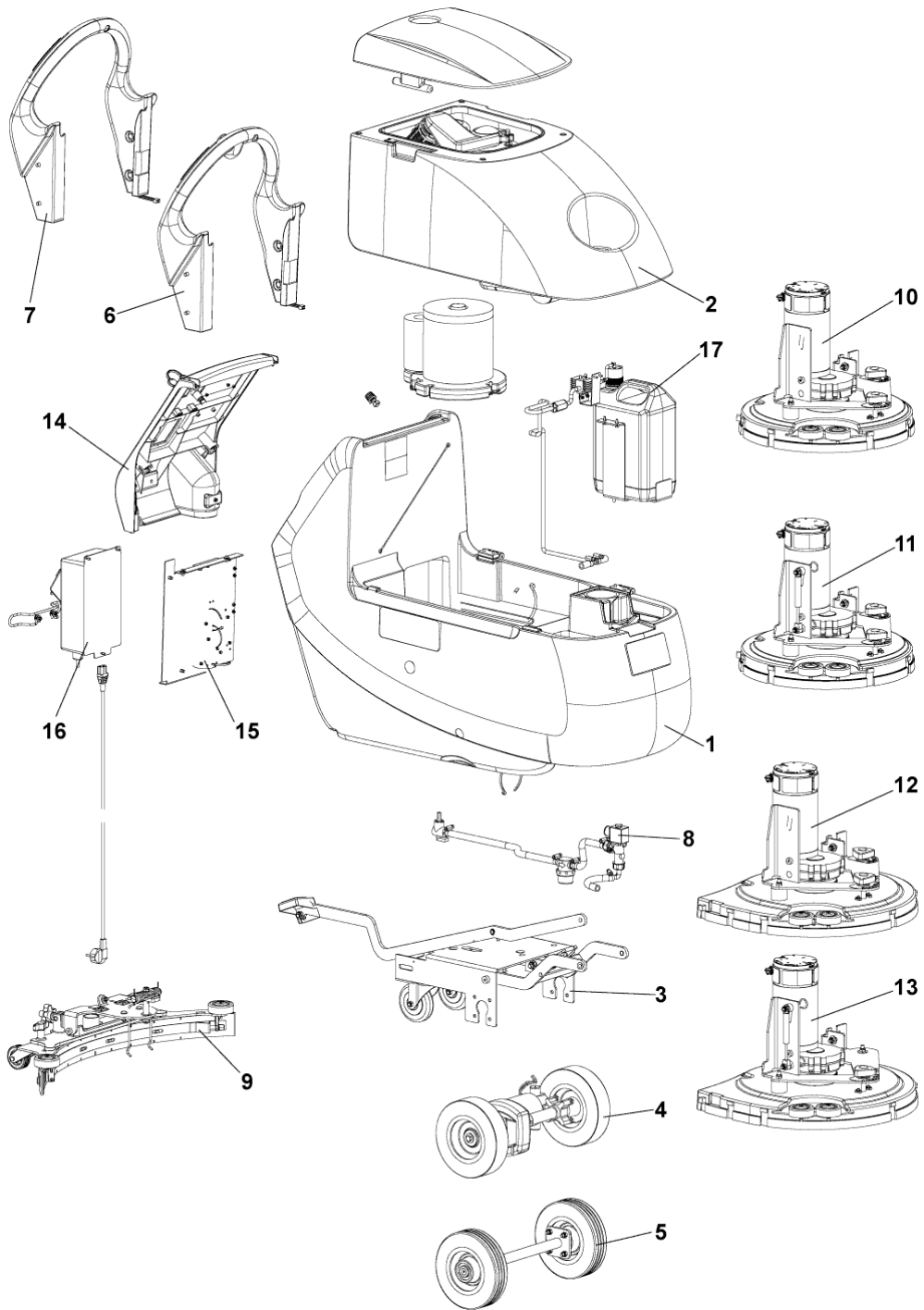
PARTS LIST



2020.09.11

TABLE OF CONTENTS

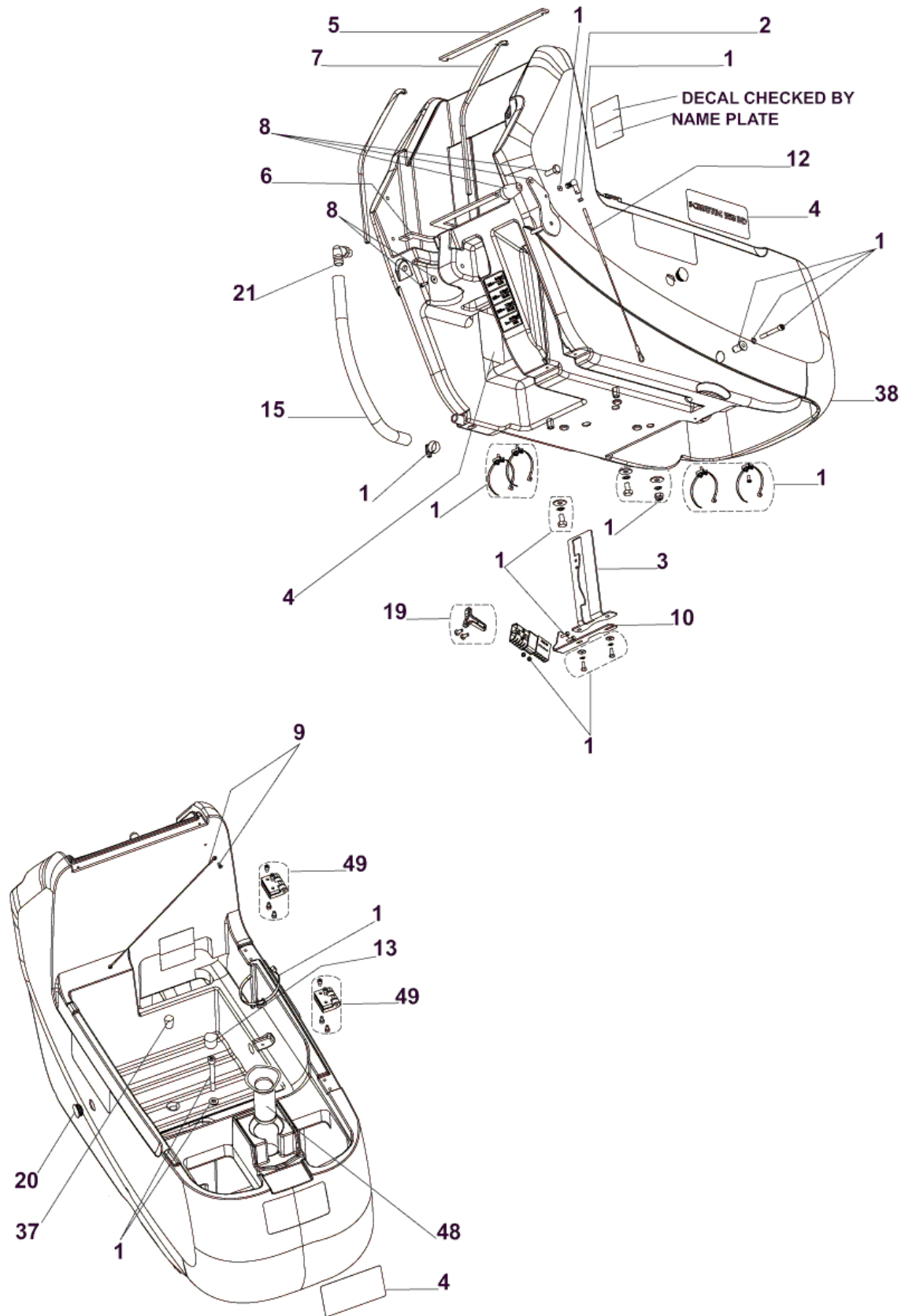
General view	1
Solution tank	3
Recovery tank	5
Chassis system	7
Wheels and traction	9
Handle assembly without traction 545B-553B	11
Handle assembly with traction 545BL-553BL-BOOST5	13
Solution system	15
Squeegee system	17
Brush system 545B-553B	19
Brush system 545BL-553BL	21
Brush system BOOST5	23
Accessories 1	26
Accessories 2	28
Control panel system	30
Electrical components 545B-533B	32
Electrical components 545BL-533BL-BOOST5	34
Battery charger accessory kit	36
Chemical mixing accessory kit	38
Recommended spare parts	40
56380209 - Flex Plate 20 Kit	43



Pos.	Artikel-Nr.	Menge	Variante	Notes
00	9098358000	1	CARDBOARD BOX 1400X690X1150MM	[1]
1		1	Solution tank - use link	[2]
2		1	Recovery tank - use link	[3]
3		1	Chassis system - use link	[4]
4		1	Wheels and traction - use link	[5]
5		1	Wheel system - use link	[6]
6		1	Handle assembly with traction 545BL, 553BL, Boost 5 - use link	[7]
7		1	Handle assembly without traction 545B - 553B - use link	[8]
8		1	Solution system - use link	[9]
9		1	Squeegee system - use link	[10]
10		1	Brush system 545B - use link	[11]
11		1	Brush system 545BL - use link	[12]
12		1	Brush system 553B - use link	[13]
13		1	Brush system 553BL and BOOST 5 - use link	[14]
14		1	Control panel system - use link	[15]
15		1	Electrical components - use link	[16]
16		1	Battery charger - use link	[17]
17		1	Chemical mixing system - use link	[18]

Part Notes:

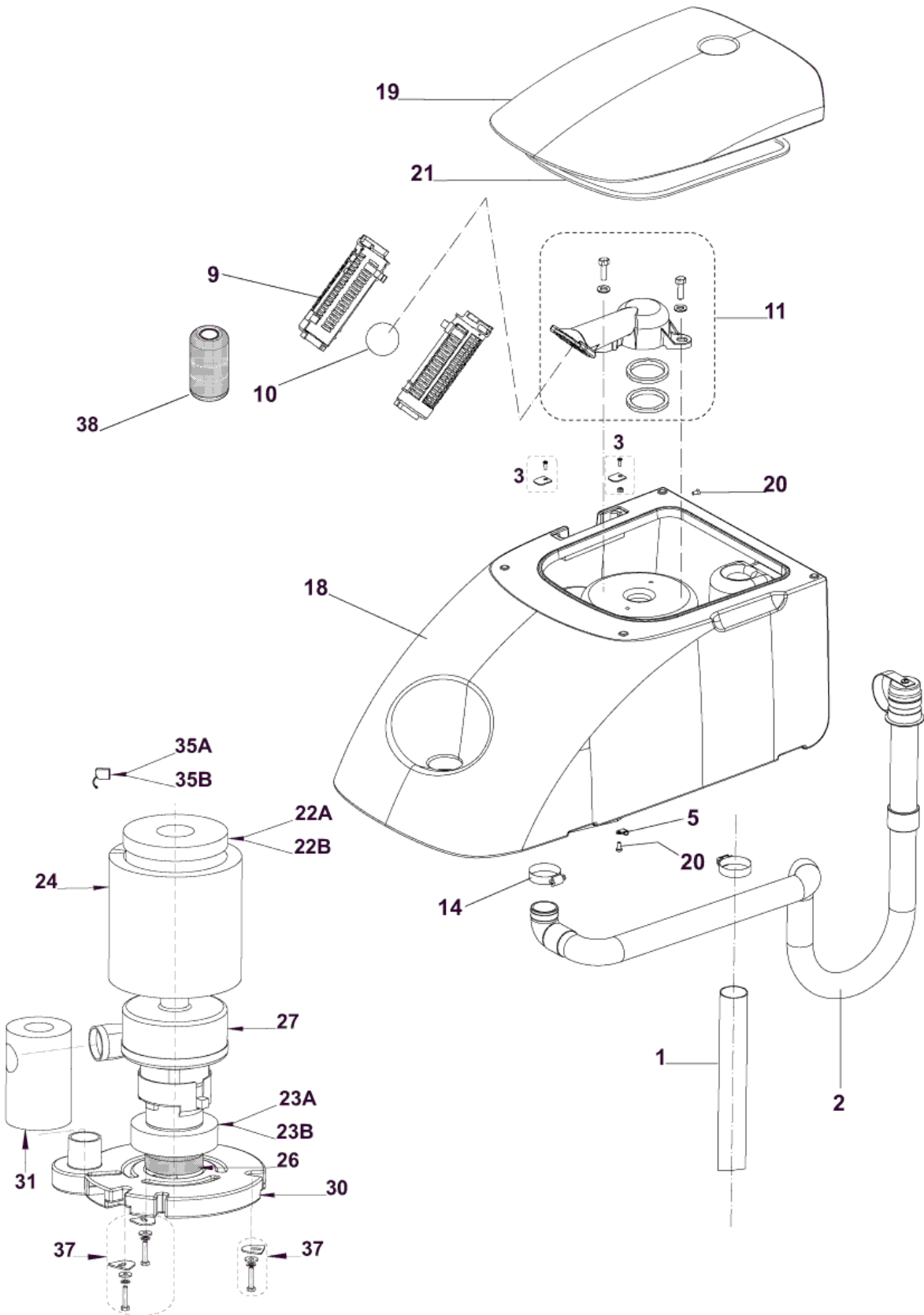
- [1] - Box for 553BL
NOT FOR SALE VIA EDC
- [2] - Solution TankSolution tank
- [3] - Recovery TankRecovery tank
- [4] - Chassis System
Chassis system
- [5] - Wheels and traction 545BL - 553BLWheels and traction
- [6] - Wheels System 545B - 553BWheels and traction
- [7] - Handle Assembly 545BL - 553BLHandle assembly with traction 545BL-553BL-BOOST5
- [8] - Handle Assembly 545B - 553BHandle assembly without traction 545B-553B
- [9] - Solution SystemSolution system
- [10] - Squeegee SystemSqueegee system
- [11] - Brush System 545BBrush system 545B-553B
- [12] - Brush System 545BLBrush system 545BL-553BL
- [13] - Brush System 553BBrush system 545B-553B
- [14] - Brush System 553BL and BOOST 5
Brush system 545BL-553BL
Brush system BOOST5
- [15] - Control Panel SystemControl panel system
- [16] - Electrical ComponentsElectrical components 545B-533B and Electrical components 545BL-533BL-BOOST5
- [17] - Battery ChargerBattery charger accessory kit
- [18] - Chemical Mixing SystemChemical mixing accessory kit



Pos.	Artikel-Nr.	Menge	Variante	Notes
00	9098033000	1	GASKET HANDLE BAR	[1]
1	9098265000	1	Befestigungskit	
2	145 8479 000	1	Kugelgelenk M 6-10521	
3	909 6493 000	1	Stütze f. Pedal	
4	9100001552	1	DECALS SCRUBTEC 545/553/BOOST 5 B KIT	[2]
4	9098332000	1	DECALS SCRUBTEC BOOST 5 ALTO KIT	[3]
4	9100001565	1	DECALS SCRUBTEC 553 BL COMBI ALTO KIT	[4]
4	9098068000	1	DECALS SCRUBTEC 545 BL COMBI ALTO KIT	[3]
5	909 6596 000	1	Dichtung	
6	909 6597 000	1	Dichtung	
7	909 6892 000	2	Dichtung L960	
8	9097630000	1	Hebel Saugfussanhebung zu BA 451	
9	909 6874 000	1	CABLE TANK KIT	
10	9098936000	1	BRACKET SS F BATTERY CONNECTOR	[5]
12	9098673000	1	Seilzug zu Hebe-vorrichtung BA 451	
13	909 6673 000	1	Kappe, schwarz	
15	9097296000	1	Frischwasserschlauch	[5]
19	9100000885	1	Handgriff	
20	33023302	2	CAP BLACK SIP	
21	9100000771	1	FITTING 90. M 3/8-18 NPT HOSE D.19 PKD	
37	909 6236 000	1	Abdeckung, schwarz	
38	9097015000	1	TANK SOLUTION 35 LT BLUE	[5]
48	9097192000	1	Wasserfilter	
49	9098329000	1	Schanier Kit	

Part Notes:

- [1] - STOCK COVERS GUARANTEE NOT SHOWN
- [2] - NO LONGER AVAILABLE
- [3] - FOR ALTO BRANDED ONLY STOCK COVERS GUARANTEE
- [4] - FOR ALTO BRANDED ONLY
- [5] - STOCK COVERS GUARANTEE



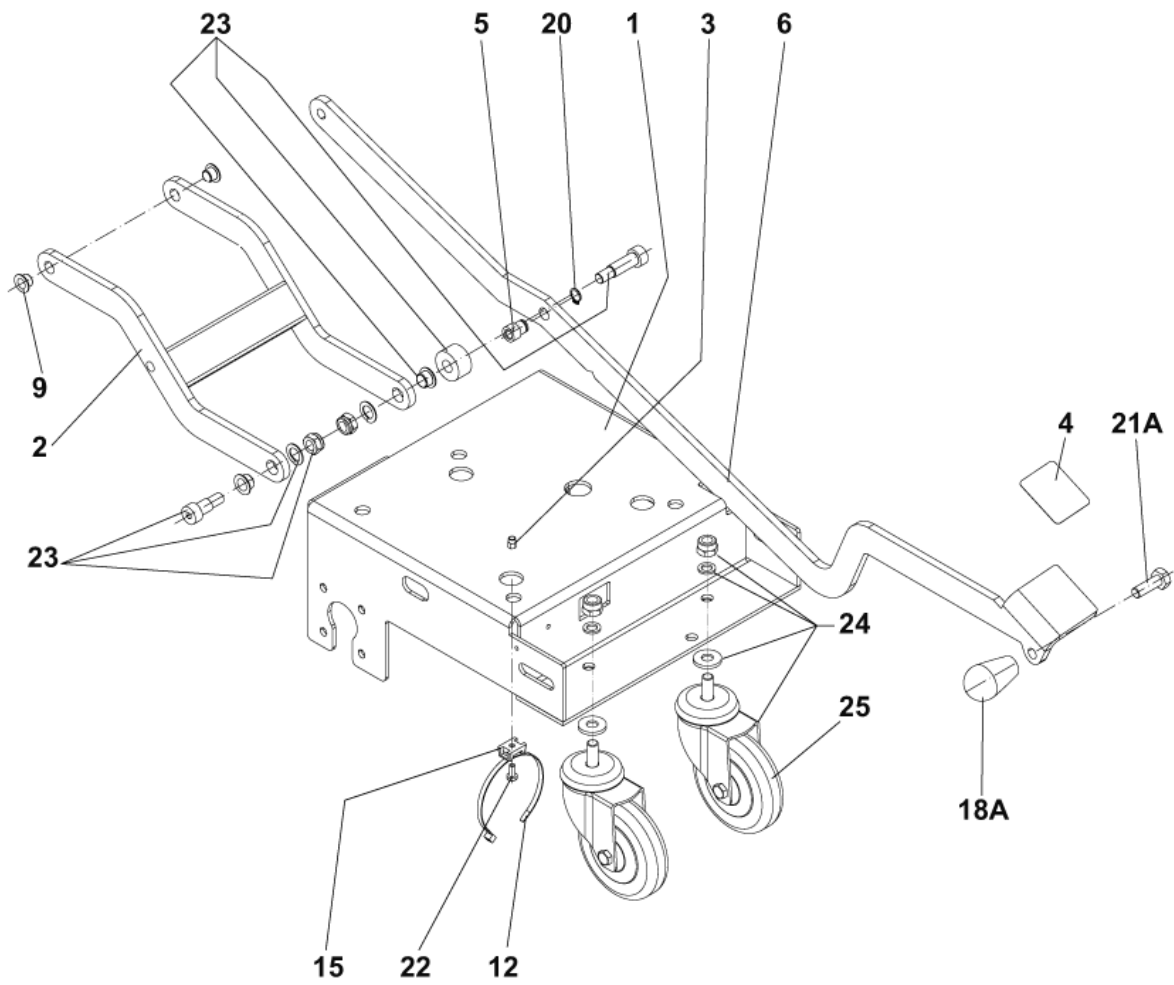
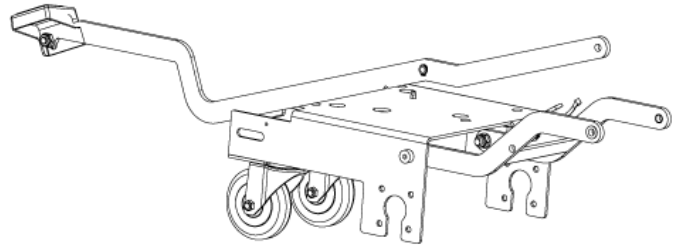
Resource notes:

A: FOR MOTOR 9099401000 (AMETEK) B: FOR MOTOR 9098062000 (VIPER)

Pos.	Artikel-Nr.	Menge	Variante	Notes
00	909 6876 000	1	Befestigungskit	[1]
1	9099853000	1	Schlauch für Absaugleiste	
2	9100001892	1	Ablassschlauch L.1480MM 90 BLACK PKD	
3	9097654000	1	Tankdeckelkit	
5	L08239900	1	SCHELLE	
9	9100000818	1	CAGE FLOAT HALF 2 PCS SET	
10	9100000817	1	BALL FLOATING PKD	
11	9100001875	1	SUPPORT FLOAT KIT	[2]
14	9100001348	1	CLAMP 14/32-52 10 PCS SET	
18	9097016000	1	Schmutzwassertank	[3]
19	9097017000	1	Tankdeckel	
20	33005124	2	Scharabe M5x12 UNI 7688	
21	909 6268 000	1	Dichtung	
22A	9096918000	1	Dichtung f. Motor	
22B	9098057000	1	Dichtung f. Vacuummotor	
23A	909 6490 000	1	Dichtung	
23B	9097555000	1	Dichtung	
24	909 6491 000	1	Panel, schalldämpfend	
26	909 6672 000	1	Filter	
27	9099401000	1	Saugmotor	
30	9100001246	1	COVER VACUUM MOTOR PKD	
31	909 6442 000	1	Geräuschdämmung f.	
35A	909 5371 000	2	Kohlebürste	
35B	ZD53501A	1	Kohlebürsten für Saugermo	
37	909 6877 000	1	Motor Befestigungskit	
38	909 5065 000	1	Filter antischaum	[4]

Part Notes:

- [1] - due to ODM/ECN 2810 should have been considered valid for all
Machine configurations which were using it ONLY Before Serial Number 081813772 (Beginning of May 2008).
GUARANTEE DATE EXPIRED
NOT SHOWN
- [2] - SEE INST. INSTR. 9100001876
- [3] - STOCK COVERS GUARANTEE
- [4] - TSB IT 2008-002

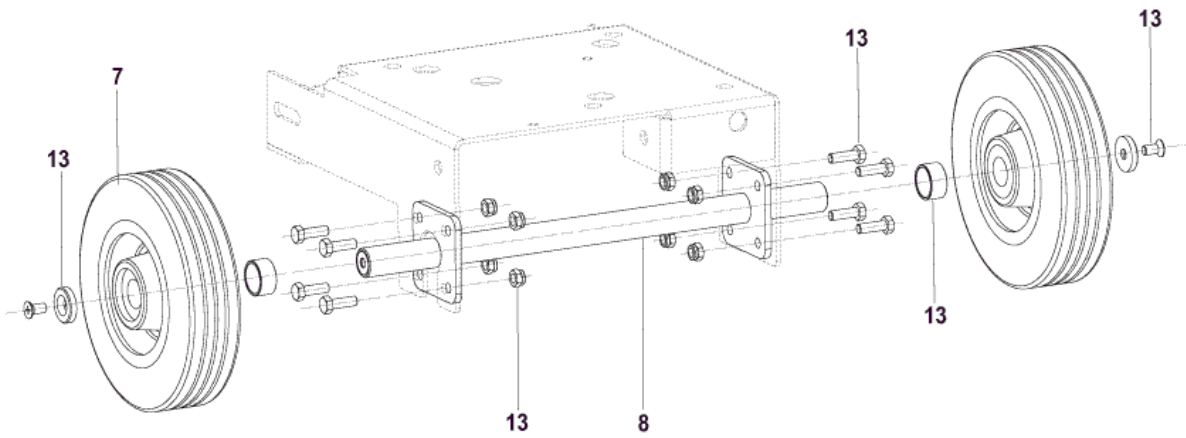


Pos.	Artikel-Nr.	Menge	Variante	Notes
1	909 6482 000	1	Chassis	[1]
2	909 6486 000	1	Hebel	
3	145 6132 000	1	INSERT M5	
4	909 6539 000	1	Antirutsch-Belag	
5	909 6540 000	1	Buchse	
6	9100001783	1	PEDAL BRUSH LIFTING PKD	[1]
9	909 6594 000	3	Buchse	
12	1466344000	1	TIE CABLE 4.8x200 BLACK 10 PCS SET	
15	909 6595 000	1	Befestigungsset BR 611	
18A	909 6621 000	1	Knopf BR 611	[2]
20	33006051	1	Ring D12	
21A	33004010	1	Schraube	[2]
22	909 6337 000	1	Schraube M5 x 12	
23	909 6878 000	1	Satz Befestigungsteile	
24	909 6880 000	2	Lenkrolle-Set	[3]
24	9098619000	2	Lenkrollenkit PU/SS	
25	909 6880 000	2	Lenkrolle-Set	
26	9100000335	1	Befestigungs Set, antistatisch	[4]

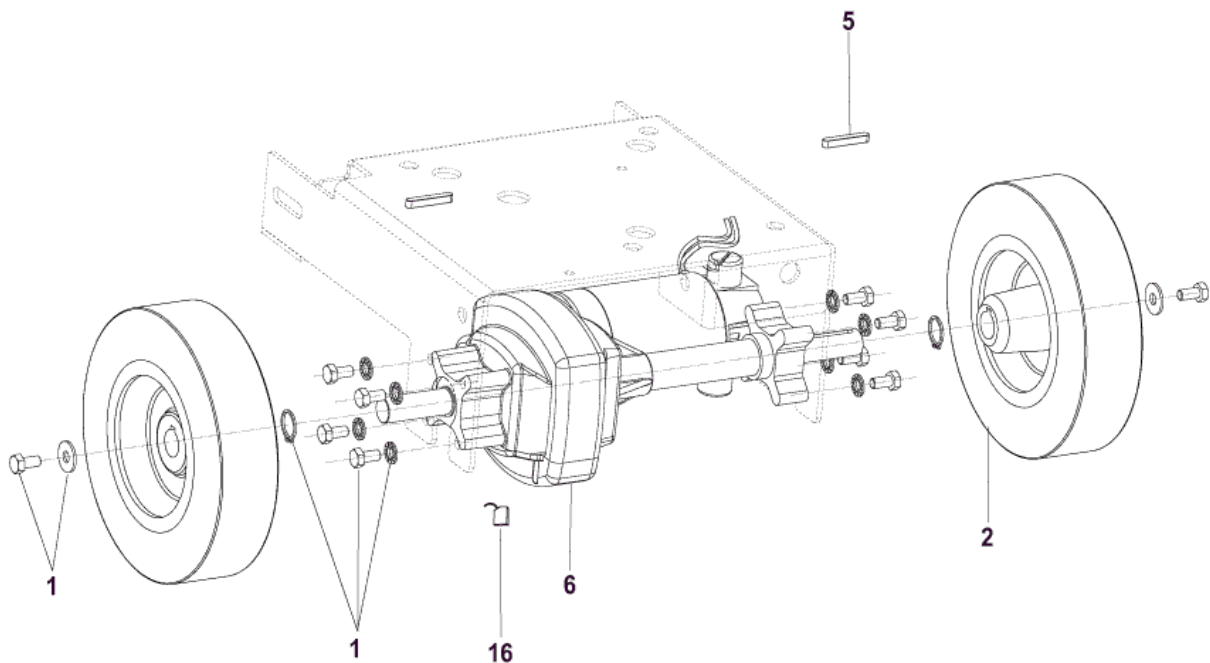
Part Notes:

- [1] - STOCK COVERS GUARANTEE
- [2] - FOR SCRUBTEC 545BL - 553BL - BOOST5
- [3] - SEE TSB-FC-2015-020
- [4] - NOT SHOWN

**WITHOUT TRACTION
(SCRUBTEC 545 B - SCRUBTEC 553 B)**



**WITH TRACTION
(SCRUBTEC 545 BL - SCRUBTEC 553 BL - BOOST 5)**



Resource notes:

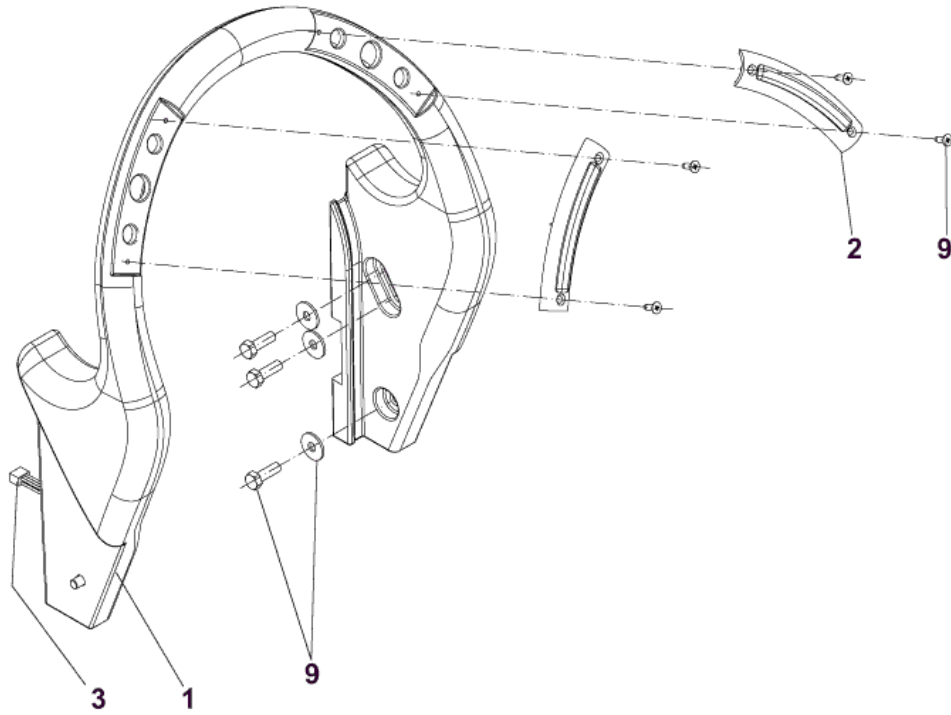
REPLACED THE 9098039000 (WHEEL D.200 BLUE) FOR MACHINE UNTIL SERIAL NUMBER 3510134303098
9098039000 (WHEEL D.200 BLUE): IN PRODUCTION STARTING FROM SERIAL NUMBER 091609853

Pos.	Artikel-Nr.	Menge	Variante	Notes
1	9098298000	1	Befestigungs-Kit f.	
2	9099693000	1	RAD SATZ	[1]
2	9099693000	1	RAD SATZ	[2]
2	9097032000	2	Vorderrad	[3]
2	9099204000	2	Frontrad D200	[4]
5	146 0769 000	2	Keil BA 451 6x6x40	
6	909 6548 000	1	Motor 200 W 24V	
7	9099743000	1	Vorderrad D.200 Kit	[5]
8	9100002134	1	SHAFT WHEELS GALV. SIP	[6]
13	9098299000	1	RadbefestigungsKit	
16	145 5124 000	2	Kohlenbürste BA 650S	

Part Notes:

- [1] - HAS REPLACED THE 9098039000 (WHEEL D.200 BLUE) FOR MACHINE UNTIL SERIAL NUMBER 3510134303098
 9098039000 (WHEEL D.200 BLUE): IN PRODUCTION STARTING FROM SERIAL NUMBER 091609853
- [2] - SCRUBTEC 545BL - 553BL
- [3] - SCRUBTEC BOOST5
- [4] - SCRUBTEC 545 BL - 553 BL
 AVAILABLE AS SINGLE WHEEL FOR MODELS WHICH ALREADY HAVE BLACK WHEELS
- [5] - contains 2 wheels
- [6] - STOCK COVERS GUARANTEE

WITHOUT TRACTION (SCRUBTEC 545 B - SCRUBTEC 553 B)

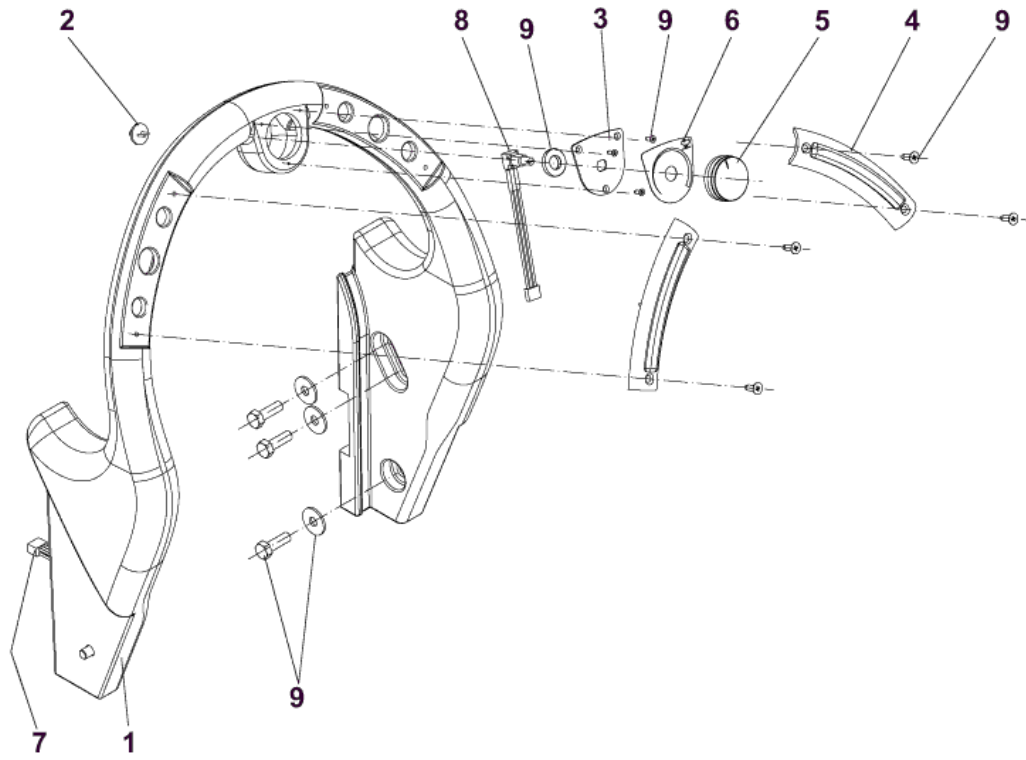


Pos.	Artikel-Nr.	Menge	Variante	Notes
1	9097021000	1	HANDLE BAR PLASTIC	[1]
2	9100000467	1	Schalter komplett gelb f	
3	9097036000	1	Kabelbaum, Lenker	
9	9098330000	1	Bediengriff-Set Maschine	

Part Notes:

[1] - STOCK COVERS GUARANTEE

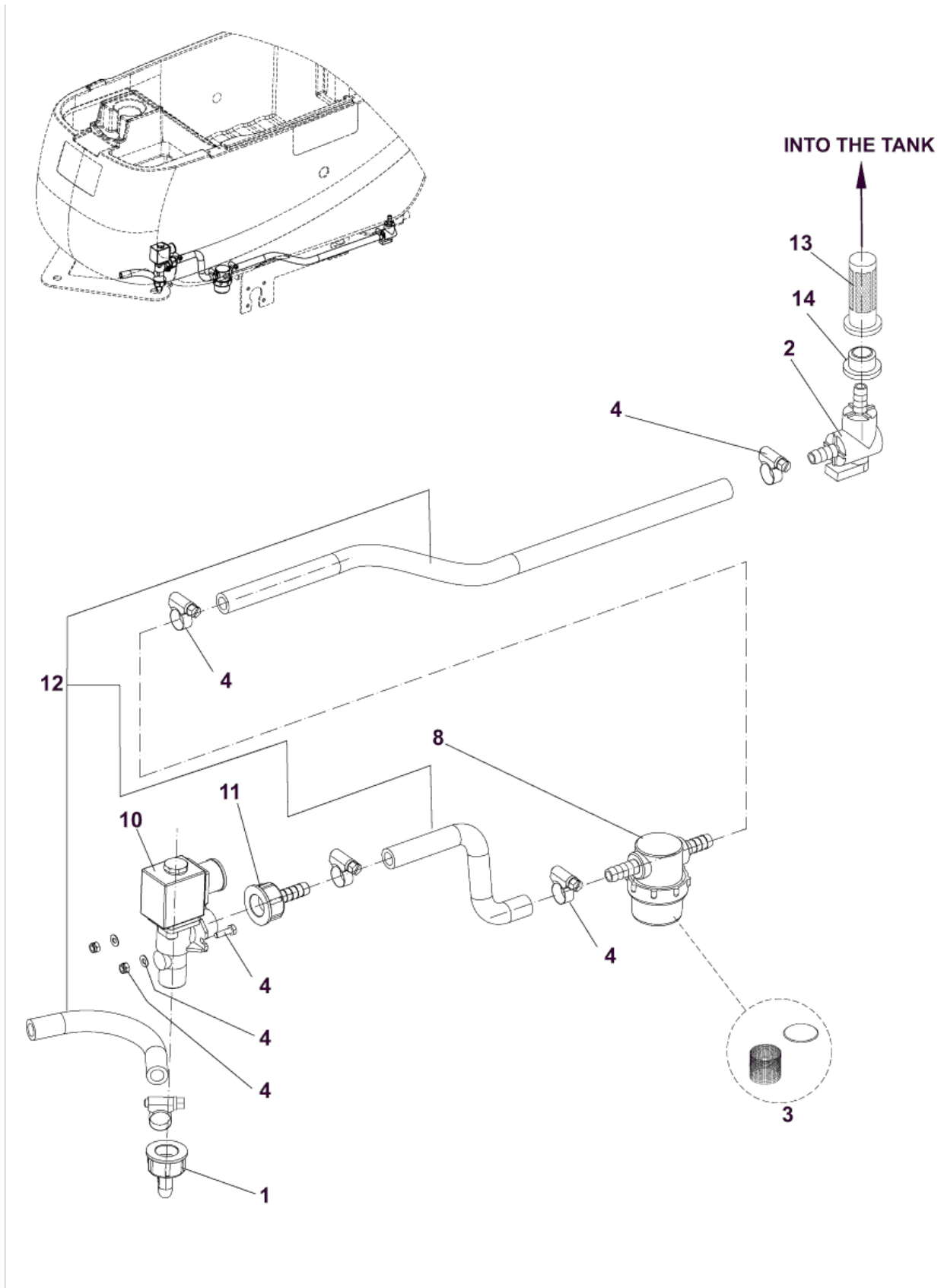
WITH TRACTION (SCRUBTEC 545 BL - SCRUBTEC 553 BL - BOOST 5)



Pos.	Artikel-Nr.	Menge	Variante	Notes
1	9097018000	1	Lenkstange	[1]
2	9097153000	1	Drehzahlumschalter	
3	9097031000	1	Platte für Potentiometer	[1]
4	9100000467	1	Schalter komplett gelb f	
5	9098484000	1	Knopf	
6	9097071000	1	Aufkleber Antischlupf	
7	9097035000	1	Kabelbaum Gelenkachse	
8	9097043000	1	Potenziometer	
9	9098330000	1	Bediengriff-Set Maschine	

Part Notes:

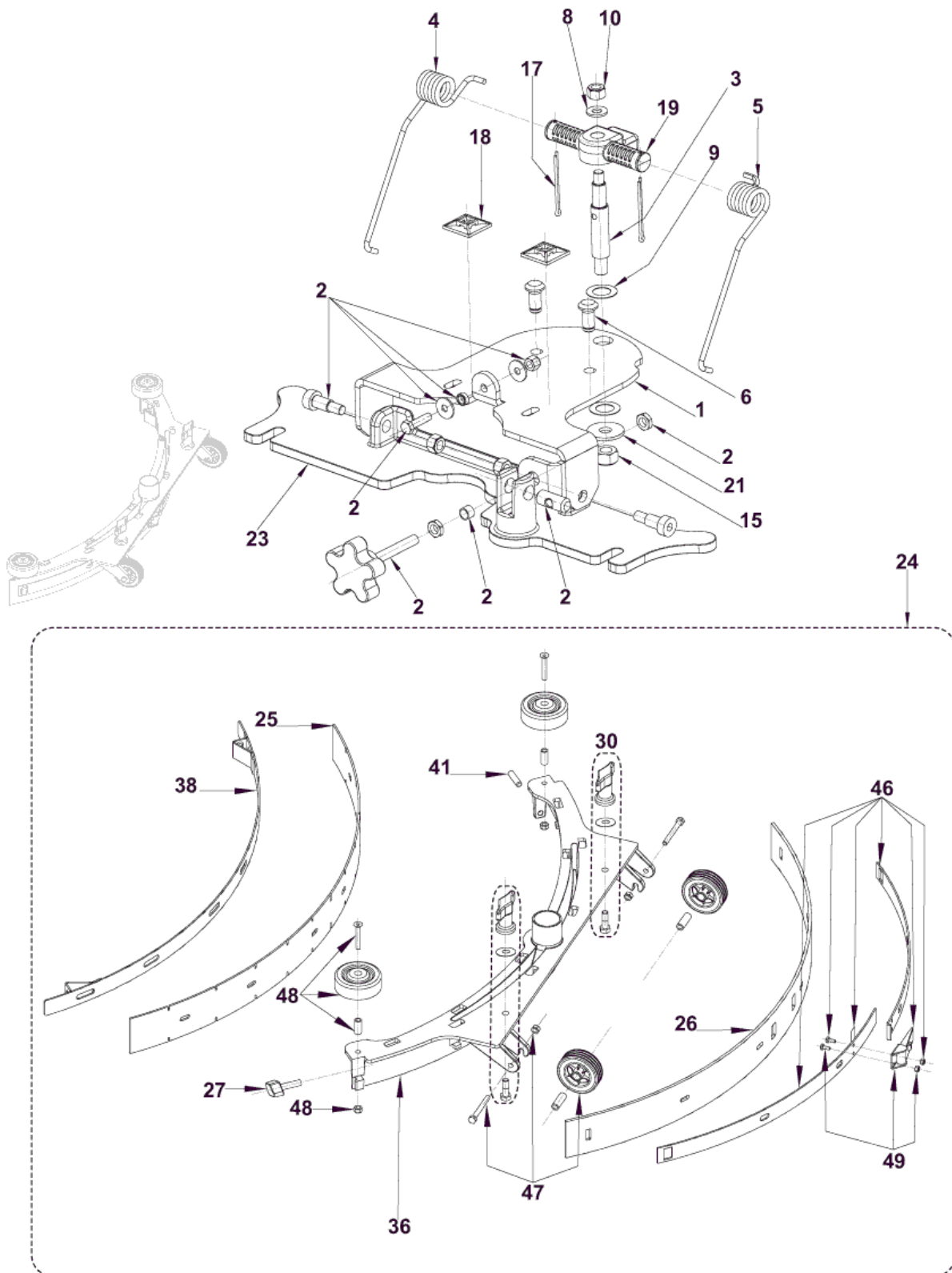
[1] - STOCK COVERS GUARANTEE



Pos.	Artikel-Nr.	Menge	Variante	Notes
1	9098777000	1	Schlauchwinkel 10/90	
2	9096994000	1	Wasserventil	[1]
3	L08603893	1	Frischwasserfilter mitDichtung zu BA 430	
4	9098301000	1	Hardware Solution System	
8	9097166000	1	Filter komplett Kit	
10	909 6555 000	1	Magnetventil 24 V	
11	9100000106	1	HOLDER RUBBER 1/2 FEMALE KIT	
12	9097170000	1	Rohre Magnetventilsatz	
13	9100001353	1	FILTER SOLUTION TANK PKD	[2]
14	909 5286 000	1	Dichtung BA 430S	

Part Notes:

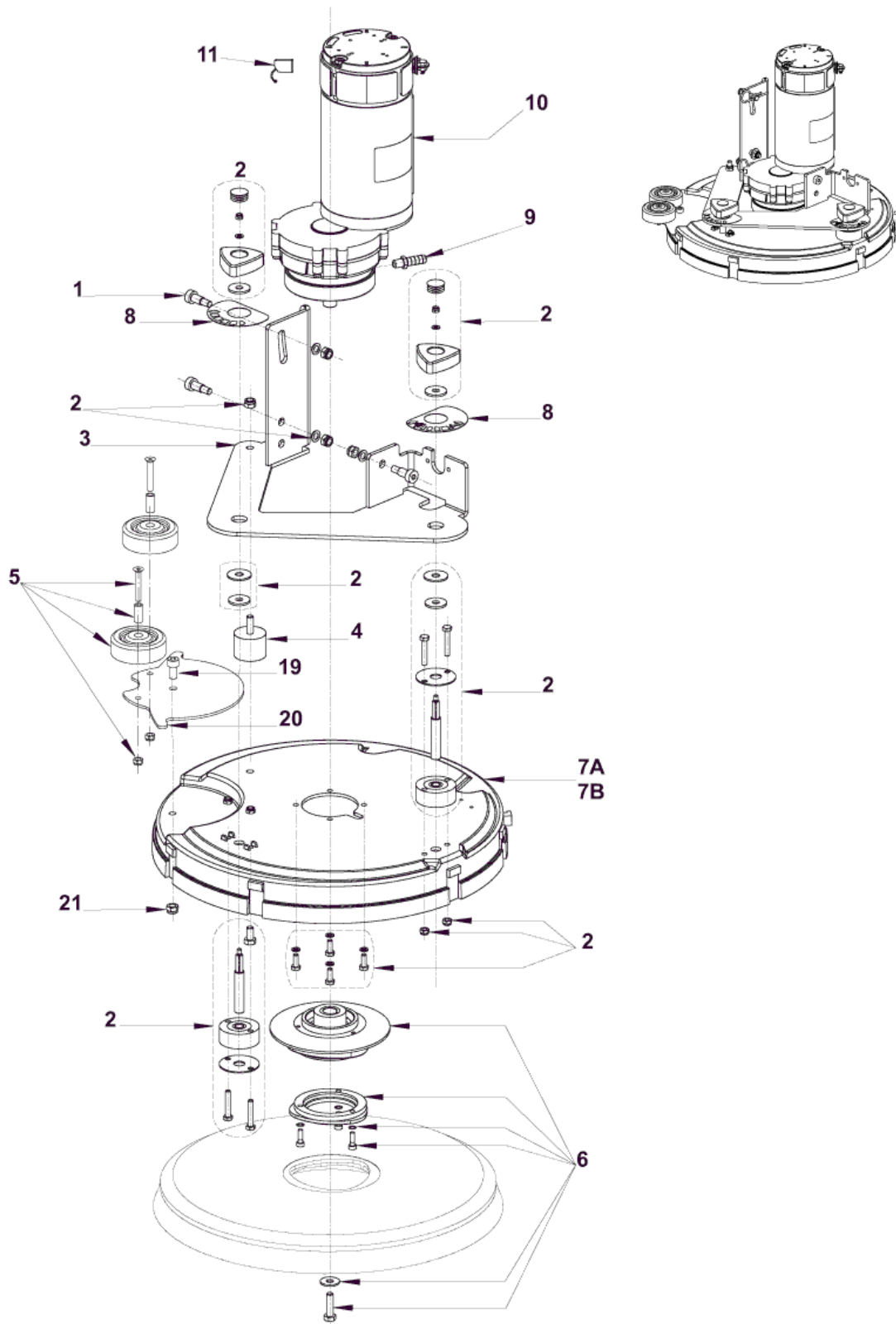
- [1] - FOR 9087259020 ONLY
- [2] - OPTIONAL



Pos.	Artikel-Nr.	Menge	Variante	Notes
00	9097548000	1	Nylonscheibe BA 451	[1]
1	909 6494 000	1	Halterung f. Aufnahme	
2	909 6885 000	1	Gummilippenhalter Kit	
3	909 6497 000	1	Bolzen	
4	909 6537 000	1	Feder	
5	909 6538 000	1	Feder	
6	909 6543 000	2	Bolzen	
8	33023208	1	WASHER M8 UNI6592 10 PCS SET	
9	L08238300	2	SCHEIBE 25X3X15 POLYAMID	
10	33023574	1	NUT LOCK HEX M8 ISO10511 PCS 10 SET	
15	33005608	1	Mutter M10 UNI7474	
17	33005758	2	Splint	
18	909 6635 000	2	Halteplatte	
19	9100000515	1	SUPPORT SQUEEGEE SPRING PKD	
21	L08604251	1	Scheibe 10,5 vz	
23	909 6045 000	1	Saugfusshalter	[2]
24	909 6851 000	1	Saugfuß Kit komplett	
25	9100000279	1	Sauglippen-Set, 740 mm, 29"	
27	9100000791	1	KNOB M8X30 THD STUD SS PKD	
30	9097637000	1	BefestigungsKit BA 551	
36	909 6044 000	1	Saugbalken	
38	909 6055 000	1	Halteband f. Gummilippe	
41	909 6600 000	1	Schraube M8X30 UNI5929 SS	
46	909 6882 000	1	BefestigungsKit	
47	909 6883 000	2	Stützrad zu BA 451	
48	909 6884 000	2	Abweisrollenkit BA 451	
49	909 6394 000	1	Verschluss BA 451	

Part Notes:

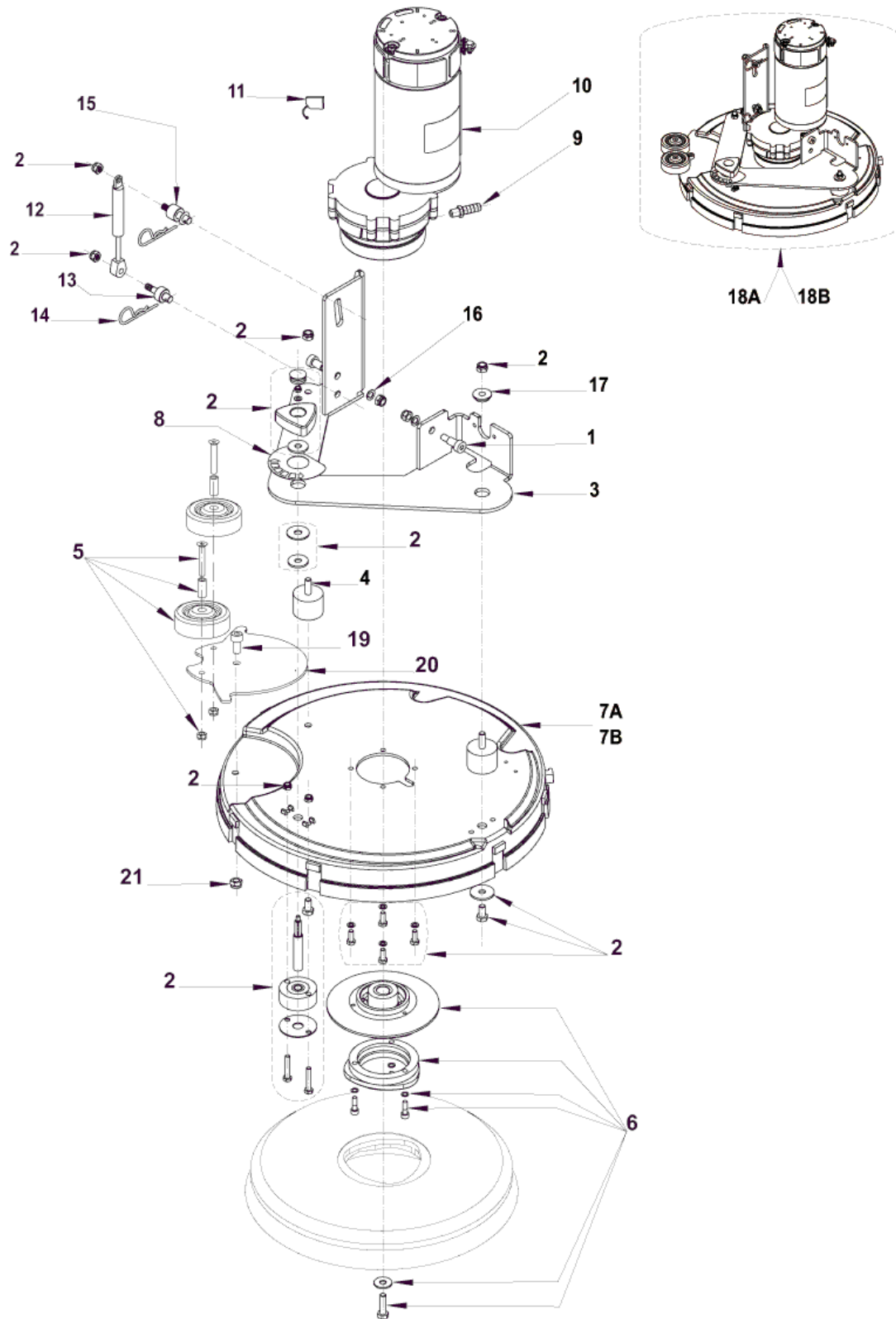
- [1] - NOT SHOWN - SEE TSB IT 2007-031
 [2] - SEE TSB IT 2008-003



Pos.	Artikel-Nr.	Menge	Variante	Notes
00	9097599000	1	Motorschutz Kit	[1]
1	9100001160	1	SCREW SHOUL 10X16 M8 ISO7379 10 PCS SET	
2	9099419000	1	Befestigungskit f.	
3	909 6485 000	1	Aufnahme	
4	9100000868	1	VIBRATION DAMPING M8 60SH 2 PCS SET	
5	909 6355 000	2	Abweisrollenkit BR 601	
6	9097093000	1	Polygonalhalter-Kit	
7A	9097079000	1	Bürstenabdeckung	[2]
7B	9097078000	1	Bürstenabdeckung schwarz	[3]
8	9100001552	1	DECALS SCRUBTEC 545/553/BOOST 5 B KIT	[4]
9	L08601624	1	Schlauchnippel 1/4 x 10	
10	9098308000	1	Bürstenmotor 450 W 24V	
10	1466147000		KEY 5X5X20 UNI6604A PKD	[5]
11	9098674000	1	CARBON BRUSHES KIT 4 PCS	[6]
11	909 5380 000	1	Kohlebürste Kit	[7]
11	9098376000	1	CARBON BRUSHES KIT 4 PCS	[8]
19	32400530	1	SCREW M8X16 BUTTON HD HEX SS ISO7380	
20	909 6887 000	1	Abweisrollenkit	
21	145 0452 000	1	NUT SELFLOCKING LOW M8 UNI7474 SS	

Part Notes:

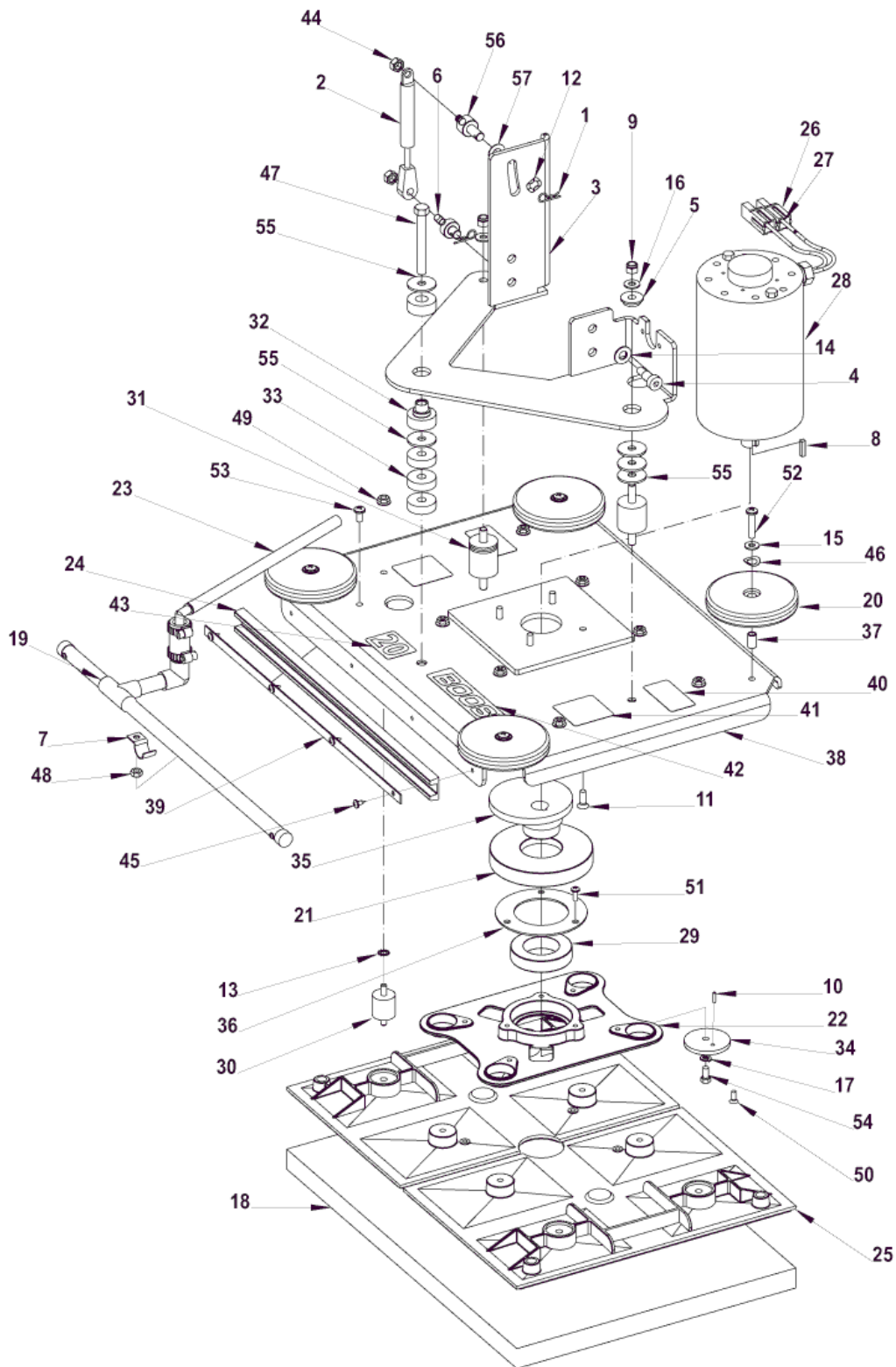
- [1] - SEE TSB-FC-2015-035
- NOT SHOWN - OPTIONAL - INST.INSTR. 9097600000 FOR 909 6546 000 - SEE TSB IT 2008-014
- see TSB FC 2015-035 (COMING SOON)
- [2] - FOR SCRUBTEC 545B
- [3] - FOR SCRUBTEC 553B
- [4] - NO LONGER AVAILABLE
- [5] - NOT SHOWN - ALREADY INCLUDED IN REDUCTION GEARMOTOR
- [6] - FOR REDUCTION GEARMOTOR 9098352000 (VIPER)
- [7] - FOR REDUCTION GEARMOTOR 909 6546 000 (LEROY SOMER)
STOCK COVERS GUARANTEE
- [8] - FOR REDUCTION GEARMOTOR 9098308000 (AMER)



Pos.	Artikel-Nr.	Menge	Variante	Notes
00	9097599000	1	Motorschutz Kit	[1]
1	9100001160	1	SCREW SHOUL 10X16 M8 ISO7379 10 PCS SET	
2	9099419000	1	Befestigungskit f.	
3	909 6485 000	1	Aufnahme	
4	9100000868	1	VIBRATION DAMPING M8 60SH 2 PCS SET	
5	909 6355 000	2	Abweisrollenkit BR 601	
6	9097093000	1	Polygonalhalter-Kit	
7A	9097079000	1	Bürstenabdeckung	[2]
7B	9097078000	1	Bürstenabdeckung schwarz	[3]
8	9100001552	1	DECALS SCRUBTEC 545/553/BOOST 5 B KIT	[4]
9	L08601624	1	Schlauchnippel 1/4 x 10	
10	9098308000	1	Bürstenmotor 450 W 24V	
11	909 5380 000	1	Kohlebürste Kit	[5]
11	9098376000	1	CARBON BRUSHES KIT 4 PCS	[6]
12	9097080000	1	Gasdruckfeder 100N	
13	909 6516 000	1	Pin unten	
14	1467692000	1	PIN SPRING COTTER 3X56 GALV. 2 PCS SET	
15	909 6515 000	1	Bolzen	
16	33023224	1	WASHER PLAIN M10 ISO7089 10 PCS SET	
17	909 6513 000	1	Flanschbuchse	
18A	9097176000	1	Bürstendeck-Set 450 mm/18"	
18B	9097177000	1	Bürstendeck-Set 530 mm/21"	
19	32400530	1	SCREW M8X16 BUTTON HD HEX SS ISO7380	
20	909 6887 000	1	Abweisrollenkit	
21	145 0452 000	1	NUT SELFLOCKING LOW M8 UNI7474 SS	

Part Notes:

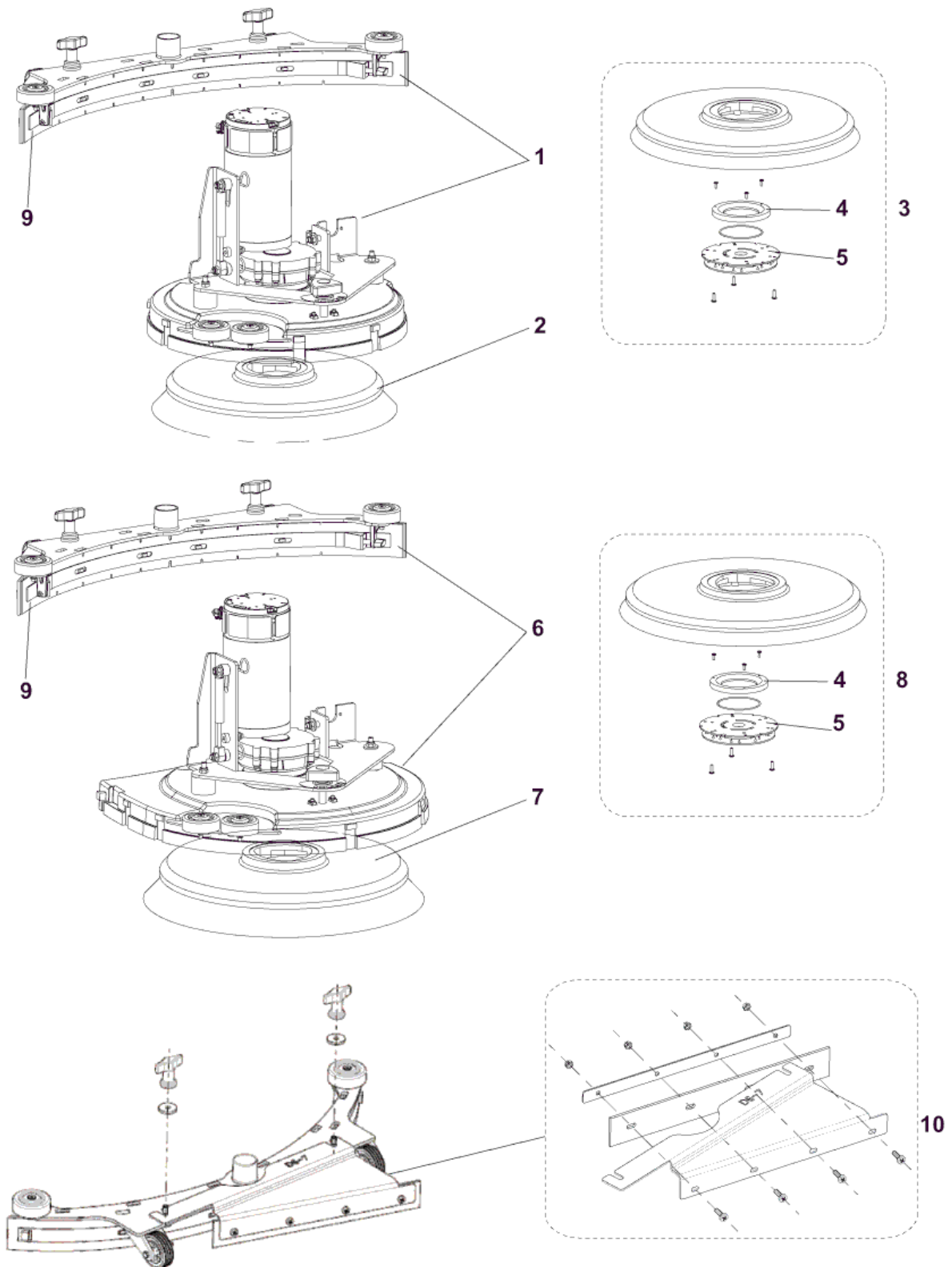
- [1] - SEE TSB-FC-2015-035
- NOT SHOWN - OPTIONAL - INST.INSTR. 9097600000 FOR 909 6546 000 - SEE TSB IT 2008-014
see TSB FC 2015-035 (COMING SOON)
- [2] - FOR SCRUBTEC 545BL
- [3] - FOR SCRUBTEC 553BL
- [4] - NO LONGER AVAILABLE
- [5] - FOR REDUCTION GEARMOTOR 909 6546 000 (LEROY SOMER)
STOCK COVERS GUARANTEE
- [6] - FOR REDUCTION GEARMOTOR 9098308000 (AMER)



Pos.	Artikel-Nr.	Menge	Variante	Notes
1	1467692000	1	PIN SPRING COTTER 3X56 GALV. 2 PCS SET	
2	909 5637 000	1	Gasdruckfeder BA 410	
3	909 6485 000	1	Aufnahme	
4	9100001160	1	SCREW SHOUL 10X16 M8 ISO7379 10 PCS SET	
5	909 6513 000	1	Flanschbuchse	
6	909 6516 000	1	Pin unten	
7	782002	2	Klemme-Anschlussstück	
8	915082	1	Passfeder	
9	920110	2	Sicherungsmutter	
10	925589	1	PIN 1/8 X 1/2	
11	962098	4	Schraube 1/4-20 X 3/4	
12	980022	1	Federscheibe	
13	980614	8	U-Scheibe	
14	980645	1	Scheibe 3/8	[1]
15	56002098	4	Scheibe	
16	980651	2	Flachscheibe 5/16 SAE	[2]
17	980657	1	Scheibe 1/4 STD	
18	997020	1	Pad 510x360mm, Rot VPE5	
19	11175A	1	TUBE ASM DRIP 20	
20	30048A	4	Rolle 100 x 10-Nabe	
21	56380246	1	Exzentrerscheibe	
22	56381491	1	PLATE DRIVER	
23	30786A	1	HOSE VINYL 3/8 X 23	
24	38741A	1	BUMPER 17	
25	56383377	2	KIT FLEX PLATE 20	
26	40645A	2	Gehäuse mit Flachstecker	
27	40657A	2	Stecker für Batteriekabel	
28	56390072	1	Motor 24V	
29	50736A	1	Lager	
30	56380236	1	Isolator Kit	[3]
31	56380236	2	Isolator Kit	
32	54446A	1	universelle Halterung kpl	
33	54641A	3	Distanzstück Nylon 1,25	
34	61724A	1	Aufnahme Exzenter	
35	61753B	1	ECCENTRIC BOOST	[4]
36	61775A	1	Lagerhalterung	
37	61782A	4	SLEEVE GUIDE WHEEL	
38	56381722	1	PLATE WELDT BOOST 20	
39	61911A	1	RETAINER BUMPER 17	
40	71017A	2	Aufkleber	
41	71192A	2	LABEL NO STEP	
42	56381702	1	LABEL BOOST	
43	71458A	1	LABEL BOOST 20	
44	80198A	2	Mutter M8-1.25 HEX Nylon	
45	80296A	4	SCREW 10-24 X 3/8 PHCR TYPE 23	
46	80317A	4	WASHER BOWED .455 ID X .740 OD	
47	56002204	1	Schraube 3/8 16 x 3.00	[5]
48	56002840	6	Nut 1/4 20	
49	56001827	8	NUT HEX SERRATED 1/4-20	
50	84236B	4	Senkkopfschraube	
51	84237A	3	Flachkopfschraube	
52	85301A	4	Schraube 1/4 -20X1&1/4	[6]
53	85395A	2	SCREW 1/4 20 X 1/2 PAN HD SS	
54	85737A	1	Schraube 1/4-20 X 5/8 HEX	
55	87054A	8	Dichtungsscheibe .375	
56	88638A	1	PIN GAS SPRING UPPER	
57	88639A	1	WASHER NYLON .75X.406X.032	

Part Notes:

- [1] - EXPIRED USE 56002063
- [2] - EXPIRED USE 56001939
- [3] - SEE TSB CL 2010-12
- [4] - SEE TSB- CL2010-12
- [5] - GUARANTEE DATE EXPIRED
- [6] - EXPIRED USE 56002958



Resource notes:

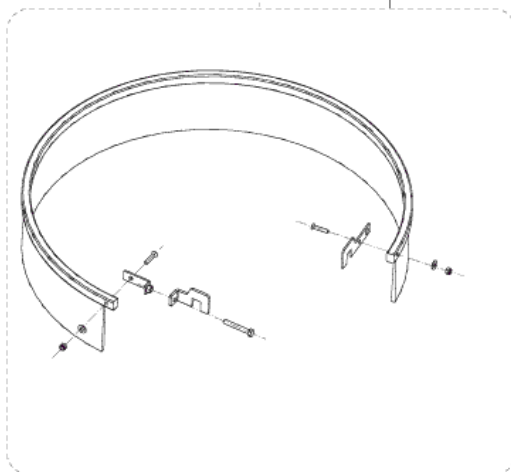
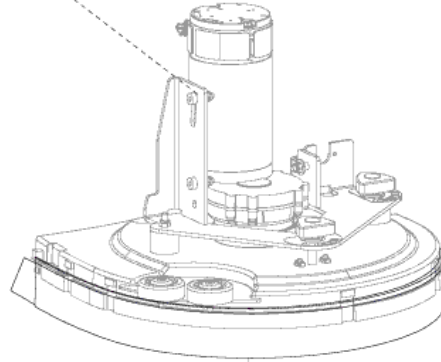
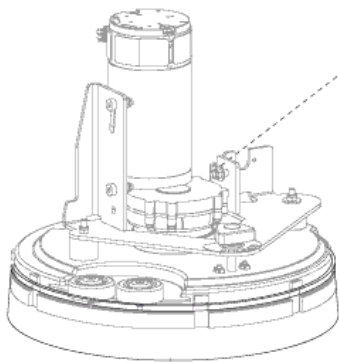
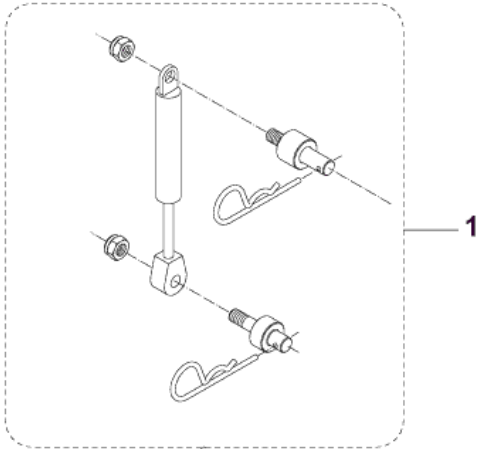
POSITION 0: 909 6483 000 - 909 6484 000 INCLUDED IN THE KIT 909 6860 000

Pos.	Artikel-Nr.	Menge	Variante	Notes
00	910000279	1	Sauglippen-Set, 740 mm, 29"	
00	9098854000	1	Winkel 90 Gr. schwarz	[1]
00	909 6858 000	1	Sauglippenset PU, 740 mm	
1	9097180000	1	DECK BRUSH 450MM/18 W/SQUEEGEE KIT	
2	L08837020	1	Bürste PPN mittel, 450 mm	
2	L08837022	1	Union Mix Bürste 450mm	[2]
2	L08837024	1	Bürste Sica mittel, 450mm	[2]
2	L08837023	1	Bürste Midlite mittel-schwer 180 zu BA/C	[2]
2	L08837021	1	Bürste PPN weich, 450 mm	[2]
3	L08837017	1	Padhalter 450 mm	
4	L08603966	1	Nylon Ring	
5	56505195	1	Padverschluss m. Spange	
6	9097181000	1	DECK BRUSH 530MM/21 KIT W.SQU.	
7	L08837028	1	Bürste Mid Grit 180, 530 mm	
7	L08837026	1	Bürste PPN weich, 530 mm	
7	L08837065	1	Bürste Magna Grit 46, 530 mm	
7	L08837067	1	Schleifkornbürste 21" AGLiteGrit 500	
7	L08837025	1	Bürste PPN mittel, 530 mm	
7	L08837027	1	Bürste Union Mix, 530 mm	
7	L08837066	1	Bürste Dyna Grit 80, 530 mm	
7	L08837029	1	Bürste Sica Mid Grit 240, 530mm	
8	L08837018	1	Padhalter m. Padverschluß, 530 mm	
9	L08603878	1	Saugfuss kompl. BA 430 S	
9	909 6851 000	1	Saugfuß Kit komplett	
10	9098343000	1	3 er SeitenbesenCA / BA 451/531/551/611	[3]
11	9100002050	1	Padhalter flach 17" 432mm	[4]

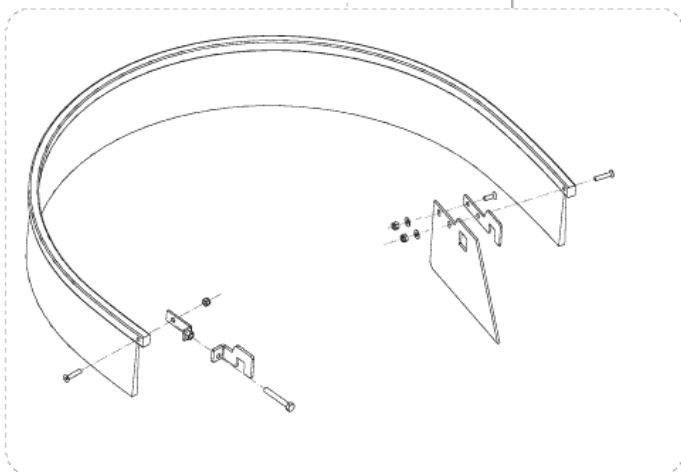
Part Notes:

- [1] - TSB IT 2010-061. Squeegee hose elbow
- [2] - COMPLEXITY REDUCTION
- [3] - OPTIONAL - SEE INST. INSTR. 9098337000
- [4] - NOT SHOWN

**EXTRA PRESSURE KIT
(SCRUBTEC 545 B - SCRUBTEC 553 B)**



**SPLASH GUARD 17" KIT
(SCRUBTEC 545 B / SCRUBTEC 545 BL)**

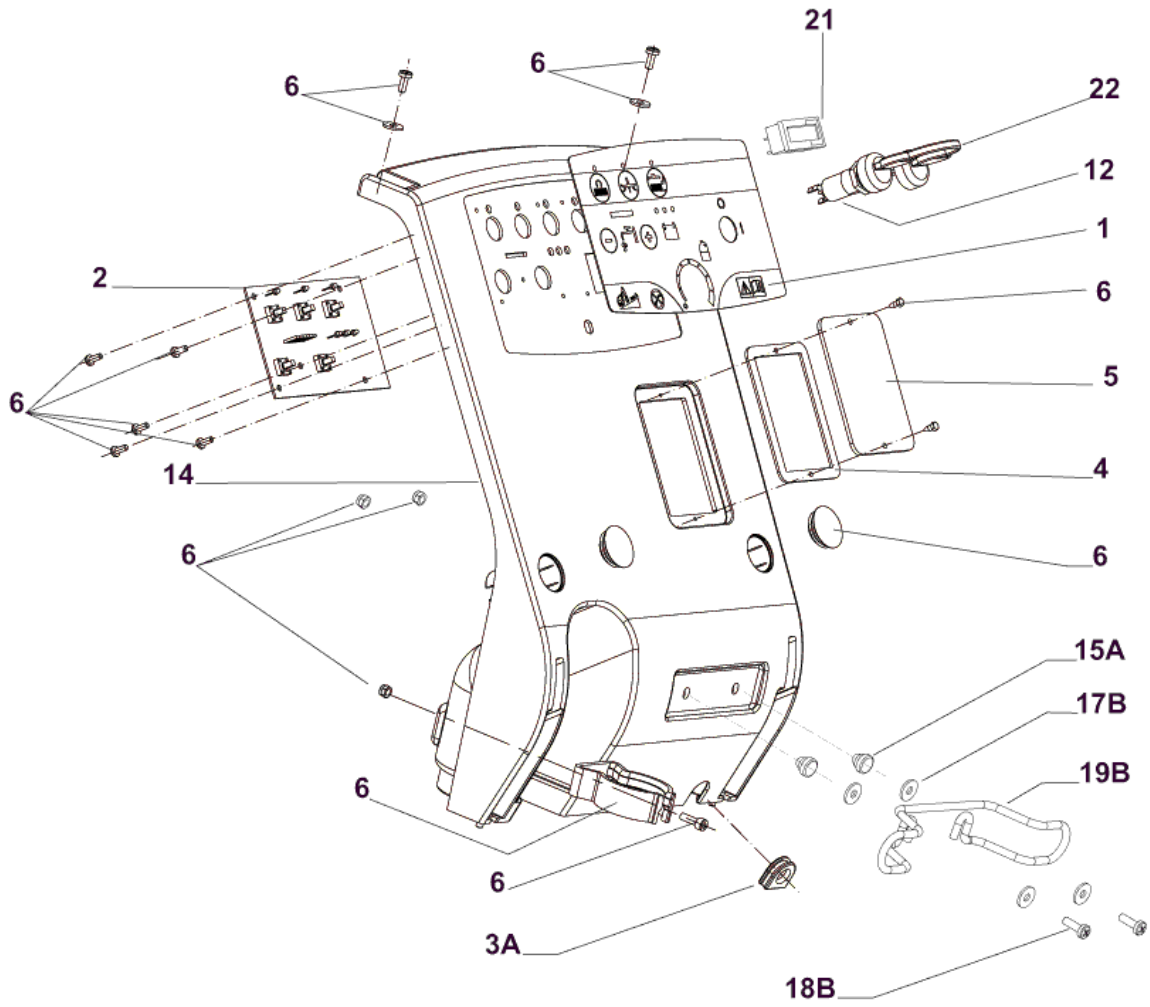


**SPLASH GUARD 20" KIT
(SCRUBTEC 553 B / SCRUBTEC 553 BL)**

Pos.	Artikel-Nr.	Menge	Variante	Notes
1	9097185000	1	Anpressdruck-Set 10 kg	[1]
2	909 6737 000	1	Spritzschutz BA 451	[2]
3	909 6736 000	1	Spritzschutz BA 531-551	[3]

Part Notes:

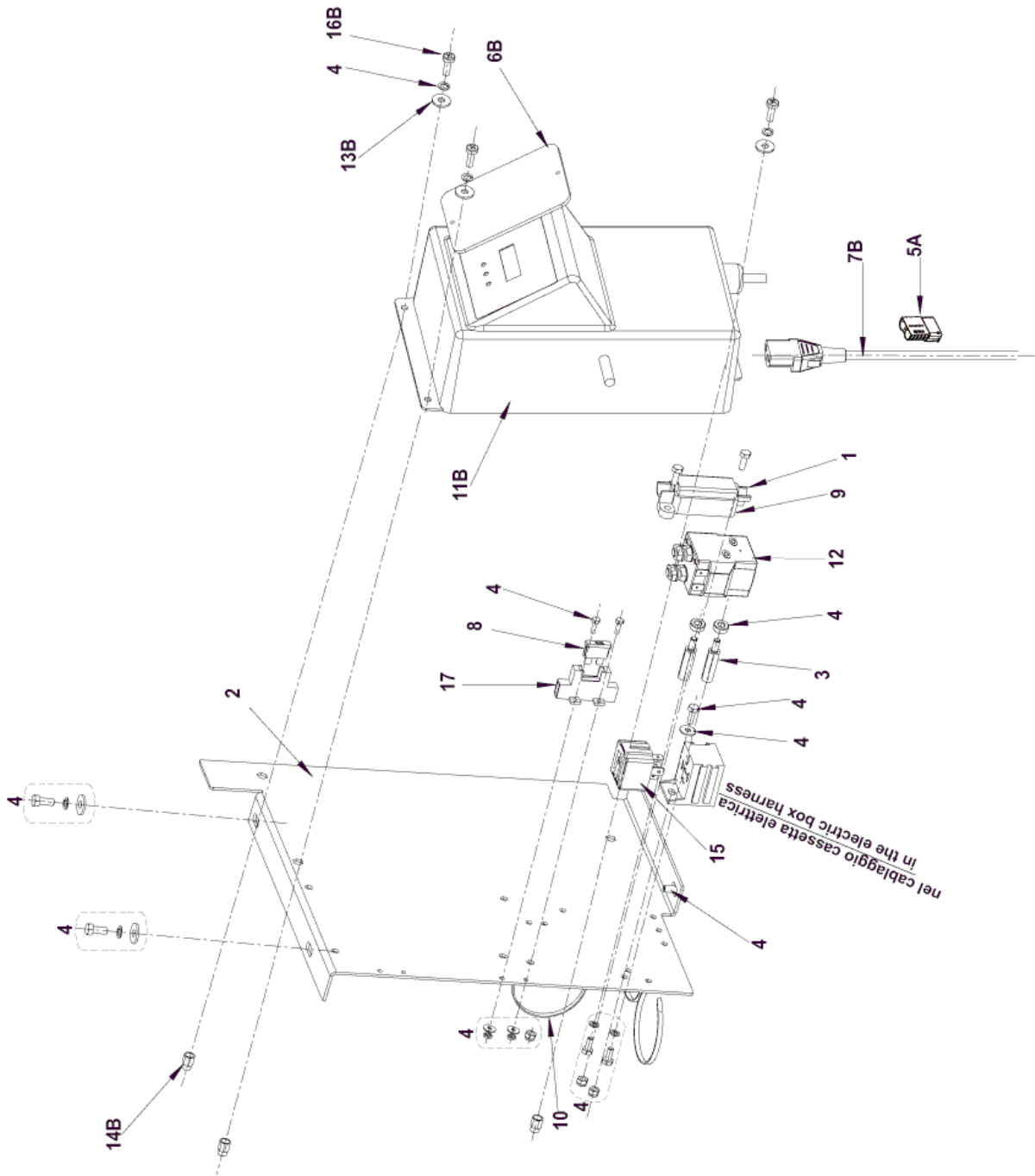
- [1] - OPTIONAL - SEE INST. INSTR. 909 6759 000
- [2] - OPTIONAL - SEE INST INSTR. 909 6745 000
- [3] - OPTIONAL - SEE INST. INSTR. 909 6745 000



Pos.	Artikel-Nr.	Menge	Variante	Notes
1	9097025000	1	Aufkleber Bedientafel	[1]
2	910000176	1	PLATINE FUNKTIONEN KIT	
3A	909 6542 000	1	Abdichtung Kabel	[2]
4	909 6545 000	1	Dichtung	
5	9100001065	1	COVER F INSPECTION PLATE BLACK PKD	[2]
6	9100001891	1	HARDWARE CONTROL PANEL KIT	
12	9100001354	1	Schlüsselschalter komplett	
14	9098123000	1	Abdeckung, blau	
15A	909 6553 000	2	Gummi	[2]
17B	1467686000	1	WASHER PLAIN M5X15 ISO7093 10 PCS SET	[3]
18B	146 2090 000	2	Schraube M5x16	[3]
19B	1466317000	1	SUPPORT CABLE KIT	[3]
21	9096951000	1	Betriebsstundenzähler 24V	[4]
22	146 2887 000	1	Schlüssel (2 Stück)	
23	9100000878	2	FUSE BLADE 3A PKD	[5]
24	909 6678 000	1	Glassicherung 20A	[6]

Part Notes:

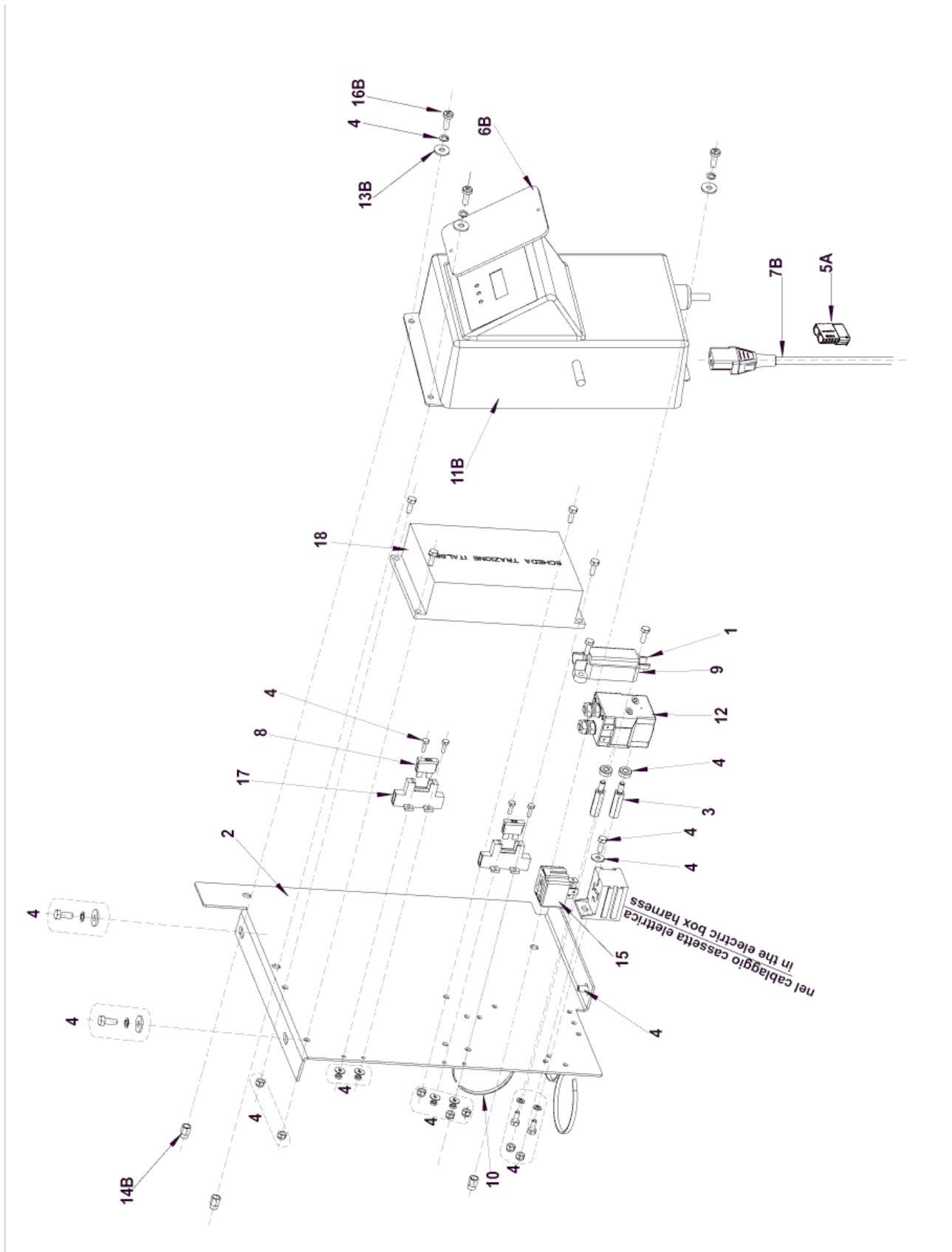
- [1] - SEE TSB IT 2009-025
- [2] - WITHOUT BATTERY CHARGER ON BOARD
- [3] - WITH BATTERY CHARGER ON BOARD
- [4] - OPTIONAL - SEE INST. INSTR. 9096952000
- [5] - NOT SHOWN
- [6] - STOCK COVERS GUARANTEE
NOT SHOWN



Pos.	Artikel-Nr.	Menge	Variante	Notes
00	9097036000	1	Kabelbaum, Lenker	
00	9097034000	1	Kabelbaum	
00	909 6840 000	1	HARNESS VACUUM MOTOR	[1]
00	9097039000	1	HARNESS MACHINE	[1]
00	9097590000	1	Batterieverbindingkabel	
00	9100001950	1	HARNESS BATTERY KIT	
1	145 8046 000	1	SicherungshalterG11-05000	
2	909 6498 000	1	Support Electric	
3	909 6676 000	2	Distanzbolzen	
4	9098303000	1	Befestigungskit	
5A	9100002117	2	CONNECTOR RED 120A PKD	[2]
6B	9100001064	1	COVER F INSPECTION PLATE TRANSP. PKD	[3]
7B	9100000790	1	CABLE EXTENSION EU PLUG L.1000 PKD	[3]
7B	1466318000	1	CABLE EXTENSION UK PLUG L.2000MM SIP	[3]
8	145 8513 000	1	FUSE BLADE 30A UL	
9	145 3824 000	1	Sicherung 40 A	
10	145 1449 000	3	TIE CABLE 3.6x140 BLACK	
11B	9098297000	1	Einbauladegerät 24V-13A 100-230V EU	[3]
12	9097209000	1	SWITCH ELECTROMAGNETIC 24V	
13B	33023195	3	WASHER M5 UNI6592 10 PCS SET	[3]
14B	145 6132 000	3	INSERT M5	[3]
15	909 6622 000	1	Relais 24 V 40 A	
16B	1466964000	1	SCREW M5X20 PAN HD ISO7045 10 PCS SET	[3]
17	1467035000	2	HOLDER FUSE THERMOPL.UL 94-V0 SIP	

Part Notes:

- [1] - STOCK COVERS GUARANTEE
- [2] - WITHOUT BATTERY CHARGER ON BOARD
- [3] - WITH BATTERY CHARGER ON BOARD

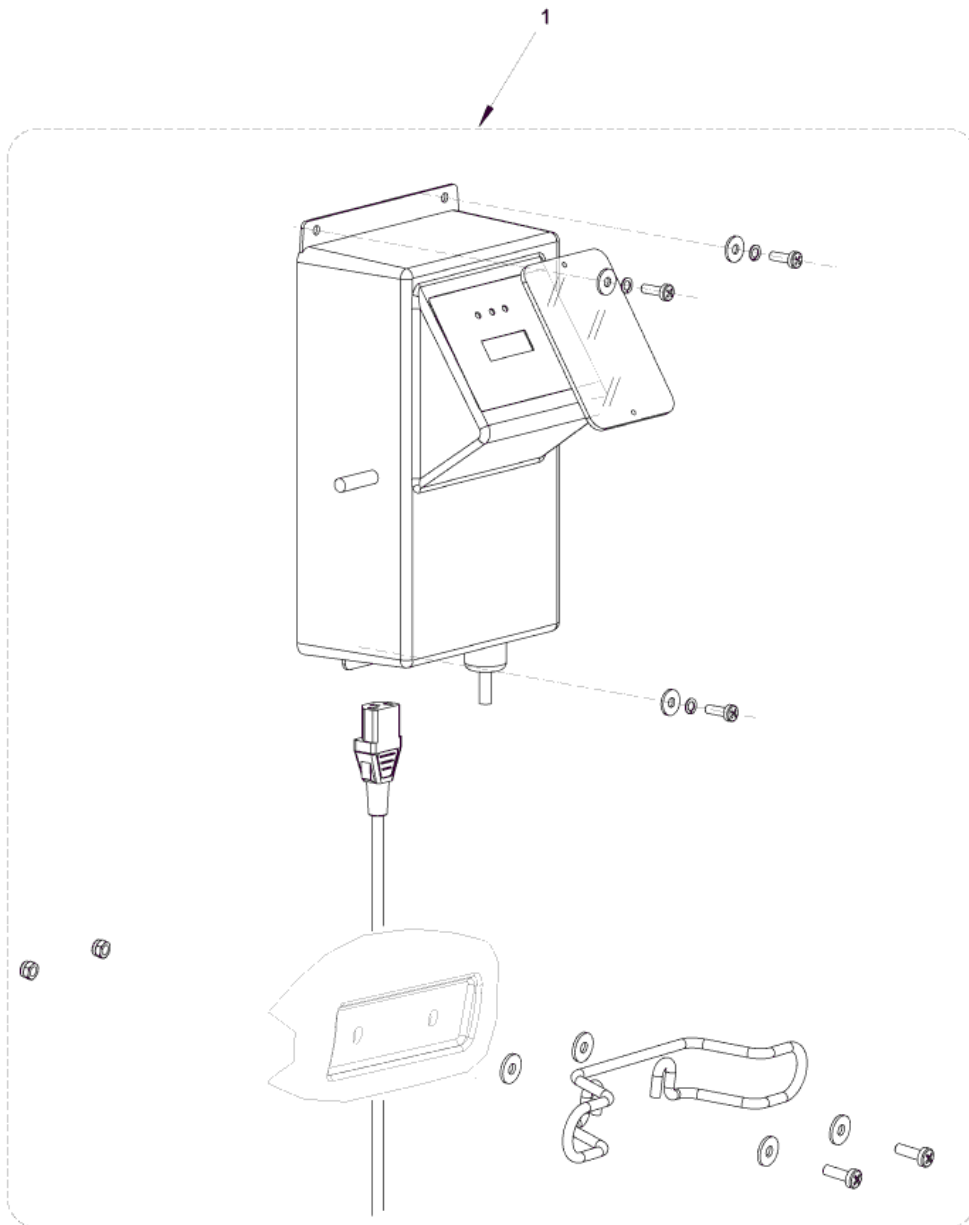


Pos.	Artikel-Nr.	Menge	Variante	Notes
00	9100001950	1	HARNESS BATTERY KIT	
00	9097590000	1	Batterieverbindingkabel	
00	9096964000	1	HARNESS ELECTRIC BOX	
00	9098263000	1	HARNESS MACHINE	[1]
00	9096972000	1	Kabelbaum	[1]
00	9097035000	1	Kabelbaum Gelenkachse	
00	909 6840 000	1	HARNESS VACUUM MOTOR	[1]
1	145 8046 000	1	SicherungshalterG11-05000	
2	909 6498 000	1	Support Electric	
3	909 6676 000	2	Distanzbolzen	
4	9098303000	1	Befestigungskit	[2]
5A	9100002117	2	CONNECTOR RED 120A PKD	[3]
6B	9100001064	1	COVER F INSPECTION PLATE TRANSP. PKD	[4]
7B	1466318000	1	CABLE EXTENSION UK PLUG L.2000MM SIP	[4]
7B	9100000790	1	CABLE EXTENSION EU PLUG L.1000 PKD	[4]
8	145 8513 000	1	FUSE BLADE 30A UL	
9	145 3824 000	1	Sicherung 40 A	
10	145 1449 000	3	TIE CABLE 3.6x140 BLACK	
11B	9098297000	1	Einbauladegerät 24V-13A 100-230V EU	[4]
12	9097209000	1	SWITCH ELECTROMAGNETIC 24V	
13B	33023195	3	WASHER M5 UNI6592 10 PCS SET	[4]
14B	145 6132 000	3	INSERT M5	[4]
15	909 6622 000	1	Relais 24 V 40 A	
16B	1466964000	1	SCREW M5X20 PAN HD ISO7045 10 PCS SET	[4]
17	1467035000	2	HOLDER FUSE THERMOPL.UL 94-V0 SIP	
18	9100000173	1	Fahrelektronik Kit	
18	1466207000	1	PROGRAMMER F ELECTRONIC CARDS PKD	

Part Notes:

- [1] - STOCK COVERS GUARANTEE
- [2] - contains all Hardware shown in this system
- [3] - WITHOUT BATTERY CHARGER ON BOARD
- [4] - WITH BATTERY CHARGER ON BOARD

KIT CARICABATTERIA - BATTERY CHARGER KIT

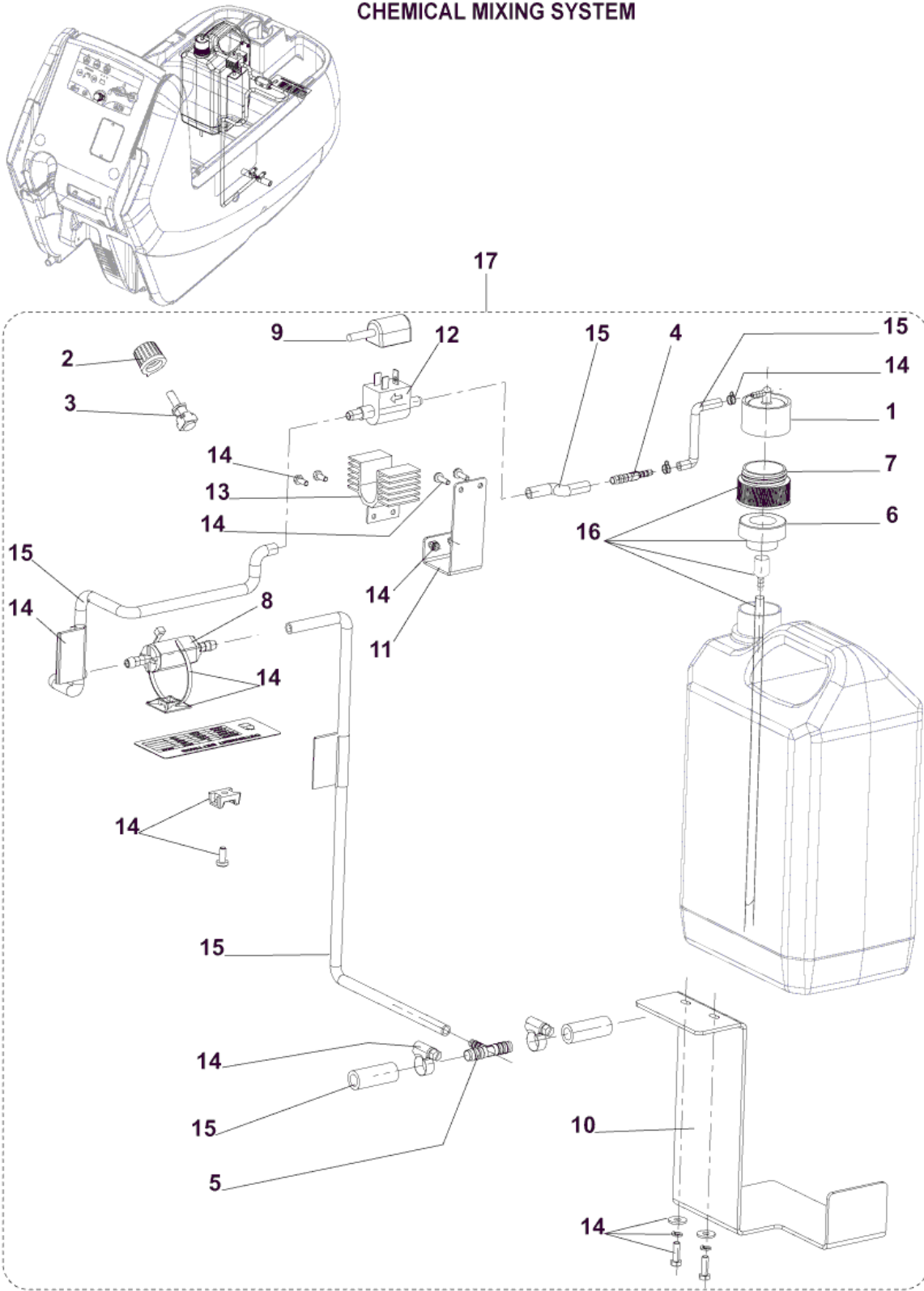


Pos.	Artikel-Nr.	Menge	Variante	Notes
1	909 6739 000	1	Einbauladegerät 24V-13A 100-230V	[1]

Part Notes:

[1] - OPTIONAL - INSTR. 909 6746 000

CHEMICAL MIXING SYSTEM



Pos.	Artikel-Nr.	Menge	Variante	Notes
00	9097041000	1	HARNESS DETERGENT SOLUTION PUMP	[1]
1	56315523	1	Deckel EDS-Schwimmer	
2	145 4719 000	1	Drehknopf zuPotentiometer	
3	909 6076 000	1	Potentiometer BR 601	
4	909 6090 000	1	HOLDER RUBBER STRAIGHT	
5	909 6092 000	1	T- Stück	
6	9097022000	1	Niveaufühler	
7	9097023000	1	Adapter f. Chemie Tank	
8	9097030000	1	Wegeventil	
9	9097041000	1	HARNESS DETERGENT SOLUTION PUMP	
10	9097082000	1	Klammer f. Chemietank	[2]
11	9097161000	1	BRACKET PUMP SUPPORT	[2]
12	53721A	1	Chemiepumpe	
13	61772A	1	BRACKET CHEMICAL PUMP	
14	9098331000	1	HARDWARE CHEMICAL MIXING KIT	[2]
15	9097174000	1	HOSES CHEMICAL MIX KIT	[2]
16	9098025000	1	Reduzierstück f.	
17	9097163000	1	Reinigungsmittel-Dosiersystem	[3]

Part Notes:

- [1] - NOT SHOWN
- [2] - STOCK COVERS GUARANTEE
- [3] - OPTIONAL - SEE INST. INSTR. 09097162000

Resource notes:

POSITION 36-37: 909 6483 000 - 909 6484 000 INCLUDED IN THE KIT 909 6860 000 POSITION 23 9098039000
REPLACED BY THE KIT 9099693000 FOR MACHINE BEFORE SERIAL NUMBER

Pos.	Artikel-Nr.	Menge	Variante	Notes
1	9098265000	1	BefestigungsKit	[1]
2	909 6874 000	1	CABLE TANK KIT	[1]
3	9097296000	1	Frischwasserschlauch	[2]
4	33023302	1	CAP BLACK SIP	[1]
5	9099853000	1	Schlauch für Absaugleiste	[1]
6	9100001892	1	Ablassschlauch L.1480MM 90 BLACK PKD	[1]
7	9100000818	1	CAGE FLOAT HALF 2 PCS SET	[1]
8	9100000817	1	BALL FLOATING PKD	[1]
9	9100001875	1	SUPPORT FLOAT KIT	[1]
10	9100001348	1	CLAMP 14/32-52 10 PCS SET	[1]
11	909 5371 000	1	Kohlebürste	[1]
12	ZD53501A	1	Kohlebürsten für Saugermo	[1]
13	909 6491 000	1	Panel, schalldämpfend	[1]
14	9096918000	1	Dichtung f. Motor	[1]
15	909 6672 000	1	Filter	[1]
16	909 6876 000	1	BefestigungsKit	[3]
17	909 6877 000	1	Motor BefestigungsKit	[1]
18	909 6880 000	2	Lenkrolle-Set	[4]
19	909 6880 000	2	Lenkrolle-Set	[5]
20	909 6878 000	1	Satz Befestigungsteile	[1]
21	909 6548 000	1	Motor 200 W 24V	[4]
22	145 5124 000	1	Kohlenbürste BA 650S	[4]
23	9099693000	1	RAD SATZ	[6]
24	9097032000	1	Vorderrad	[7]
25	9099743000	1	Vorderrad D.200 Kit	[5]
26	9097043000	1	Potenzimeter	[4]
27	9098330000	1	Bediengriff-Set Maschine	[1]
28	9097166000	1	Filter komplett Kit	[8]
29	9097170000	1	Rohre Magnetventilsatz	[8]
30	909 6555 000	1	Magnetventil 24 V	[8]
31	9100000106	1	HOLDER RUBBER 1/2 FEMALE KIT	[8]
32	909 6055 000	1	Halteband f. Gummilippe	[1]
33	909 6044 000	1	Saugbalken	[1]
34	9097637000	1	BefestigungsKit BA 551	[1]
35	9100000791	1	KNOB M8X30 THD STUD SS PKD	[1]
38	909 6851 000	1	Saugfuß Kit komplett	[1]
39	909 6882 000	1	BefestigungsKit	[1]
40	909 6883 000	1	Stützrad zu BA 451	[1]
41	909 6884 000	1	Abweisrollenkit BA 451	[1]
42	909 6885 000	1	Gummilippenhalter Kit	[1]
43	909 6394 000	1	Verschluss BA 451	[1]
44	9097176000	1	Bürstendeck-Set 450 mm/18"	[9]
45	9097177000	1	Bürstendeck-Set 530 mm/21"	[9]
46	9097079000	1	Bürstenabdeckung	[10]
47	9097078000	1	Bürstenabdeckung schwarz	[11]
48	9098308000	1	Bürstenmotor 450 W 24V	[8]
49	909 6355 000	1	Abweisrollenkit BR 601	[8]
50	L08601624	1	Schlauchnippel 1/4 x 10	[8]
51	9100000868	1	VIBRATION DAMPING M8 60SH 2 PCS SET	[8]
52	1467692000	1	PIN SPRING COTTER 3X56 GALV. 2 PCS SET	[12]
53	9099419000	1	BefestigungsKit f.	[8]
54	9097080000	1	Gasdruckfeder 100N	[12]
55	56380236	1	Isolator Kit	[7]
56	56380236	1	Isolator Kit	[7]
57	54446A	1	universelle Halterung kpl	[7]
58	56383377	1	KIT FLEX PLATE 20	[7]
59	11175A	1	TUBE ASM DRIP 20	[7]
60	56381491	1	PLATE DRIVER	[7]
61	56390072	1	Motor 24V	[7]

Pos.	Artikel-Nr.	Menge	Variante	Notes
62	50736A	1	Lager	[7]
63	61724A	1	Aufnahme Exzenter	[7]
64	61753B	1	ECCENTRIC BOOST	[13]
65	61775A	1	Lagerhalterung	[7]
66	40645A	1	Gehäuse mit Flachstecker	[7]
67	40657A	1	Stecker für Batteriekabel	[7]
68	9097025000	1	Aufkleber Bedientafel	[1]
69	9100001354	1	Schlüsselschalter komplett	[1]
70	9100000176	1	PLATINE FUNKTIONEN KIT	[1]
71	9100000878	1	FUSE BLADE 3A PKD	[1]
72	909 6678 000	1	Glassicherung 20A	[2]
73	9100000173	1	Fahrelektronik Kit	[1]
74	9100002117	1	CONNECTOR RED 120A PKD	[1]
75	9097209000	1	SWITCH ELECTROMAGNETIC 24V	[1]
76	909 6622 000	1	Relais 24 V 40 A	[1]
77	145 3824 000	1	Sicherung 40 A	[1]
78	145 8513 000	1	FUSE BLADE 30A UL	[1]
79	9098297000	1	Einbauladegerät 24V-13A 100-230V EU	[14]

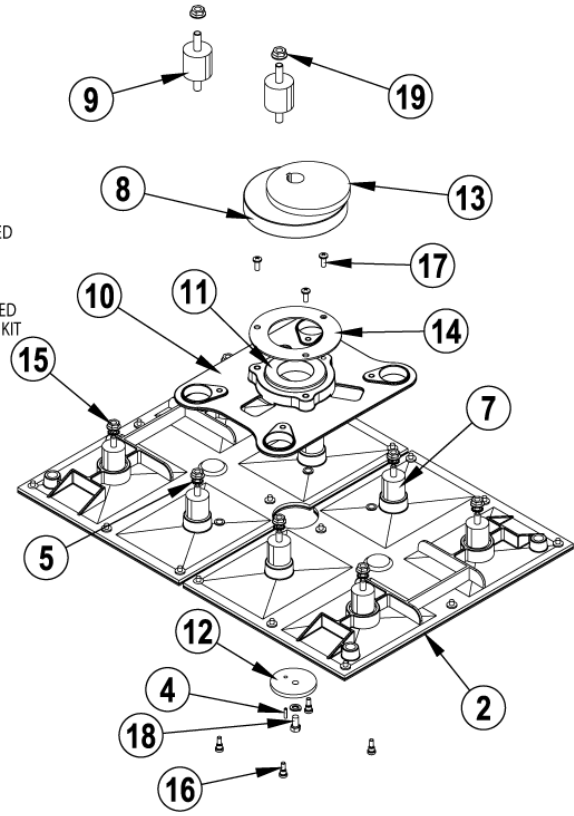
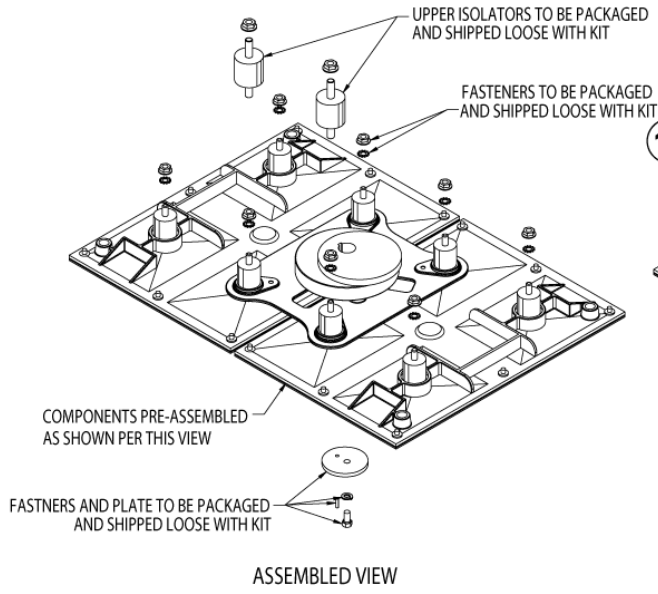
Part Notes:

- [1] - SCRUBTEC 545B - 545BL - 553B - 553BL - BOOST 5
 [2] - SCRUBTEC 545B - 545BL - 553B - 553BL - BOOST 5
 STOCK COVERS GUARANTEE
 [3] - SCRUBTEC 545B - 545BL - 553B - 553BL - BOOST 5

due to ODM/ECN 2810 should have been considered valid for all

Machine configurations which were using it ONLY Before Serial Number 081813772 (Beginning of May 2008).
 GUARANTEE DATE EXPIRED

- [4] - SCRUBTEC 545BL - 553BL - BOOST 5
 [5] - SCRUBTEC 545B - 553B
 [6] - SCRUBTEC 545BL - 553BL TILL S/N
 [7] - SCRUBTEC BOOST 5
 [8] - SCRUBTEC 545B - 545BL - 553B - 553BL
 [9] - SCRUBTEC 545BL
 [10] - SCRUBTEC 545B
 [11] - SCRUBTEC 545BL - 553B - 553BL
 [12] - SCRUBTEC 545BL - 553BL
 [13] - SCRUBTEC BOOST 5
 SEE TSB- CL2010-12
 [14] - ALL SCRUBTEC W/BATTERY CHARGER ON BOARD



Pos.	Artikel-Nr.	Menge	Variante	Notes
0	56383377	1	KIT FLEX PLATE 20	
2	56383374	2	FLEX PLATE ASSY 20	
3		1	Loctite 242 Compound Blue 0.5	[1]
4	925589	1	PIN 1/8 X 1/2	
5	980614	8	U-Scheibe	
6	980657	1	Scheibe 1/4 STD	
7	56380190	8	ISOLATOR-30 DURO 1/4-20	
8	56380192	1	Lagerschild	[2]
9	56380272	2	ISOLATOR-50 DURO 5/16-18	
10	56381491	1	PLATE DRIVER	
11	50736A	1	Lager	
12	61724A	1	Aufnahme Exzenter	
13		1	ECCENTRIC BOOST	[3]
14	61775A	1	Lagerhalterung	
15	56001827	8	NUT HEX SERRATED 1/4-20	
16	56381989	4	BOLT-SHOULDER	
17	84237A	3	Flachkopfschraube	
18	85737A	1	Schraube 1/4-20 X 5/8 HEX	
19	81211A	2	NUT HEX SERRATED FLANGE 5/1	
K1	56380246	1	Exzenterscheibe	[4]
K2	56380236	1	Isolator Kit	[5]

Part Notes:

- [1] - Loctite 242 Compound Blue 0.5
- [2] - TSB-CL2010-12
- [3] - ECCENTRIC BOOST
- [4] - Includes pos. 4, 8,13
- [5] - Includes pos. 3, 5, 7, 9, 15, 19

