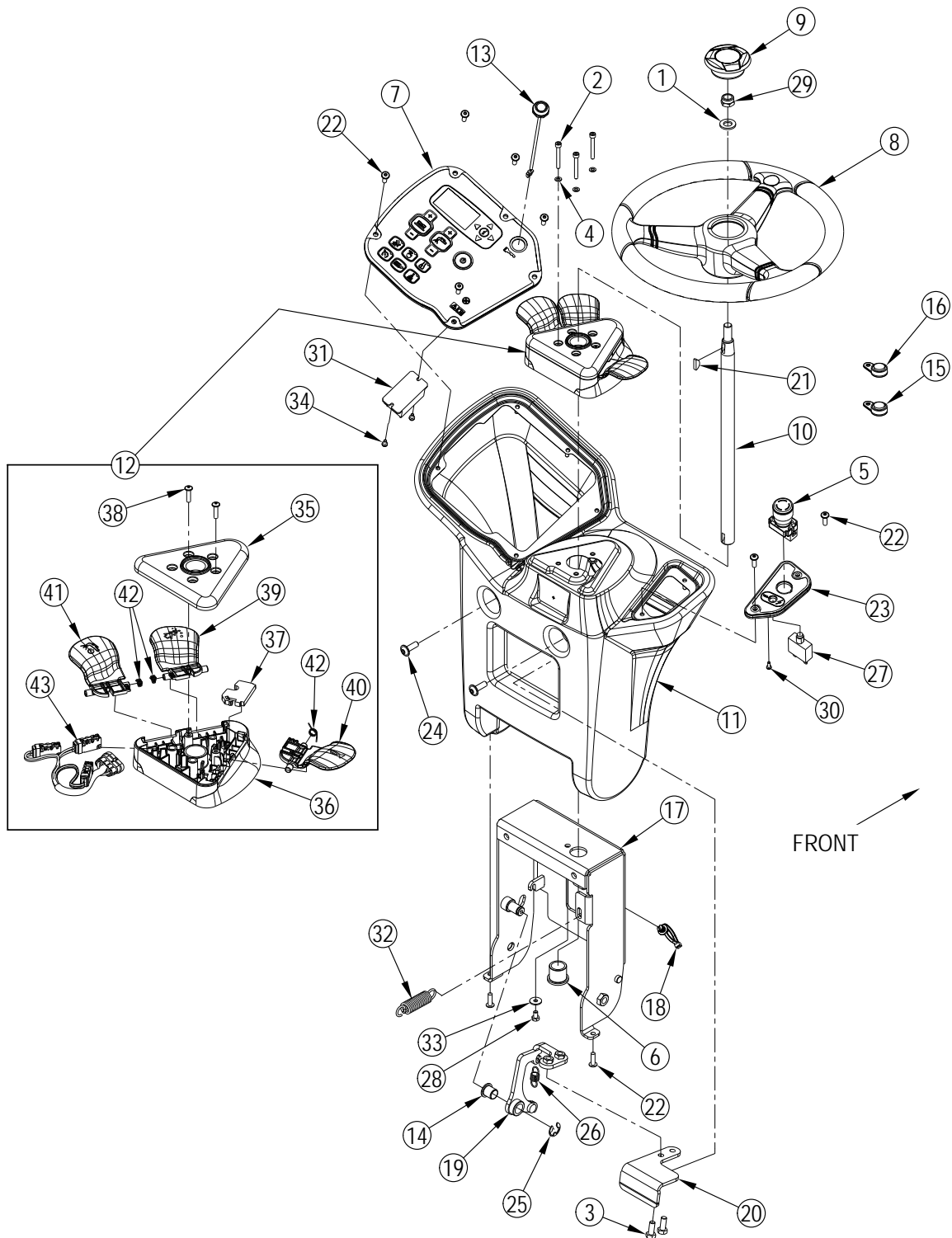


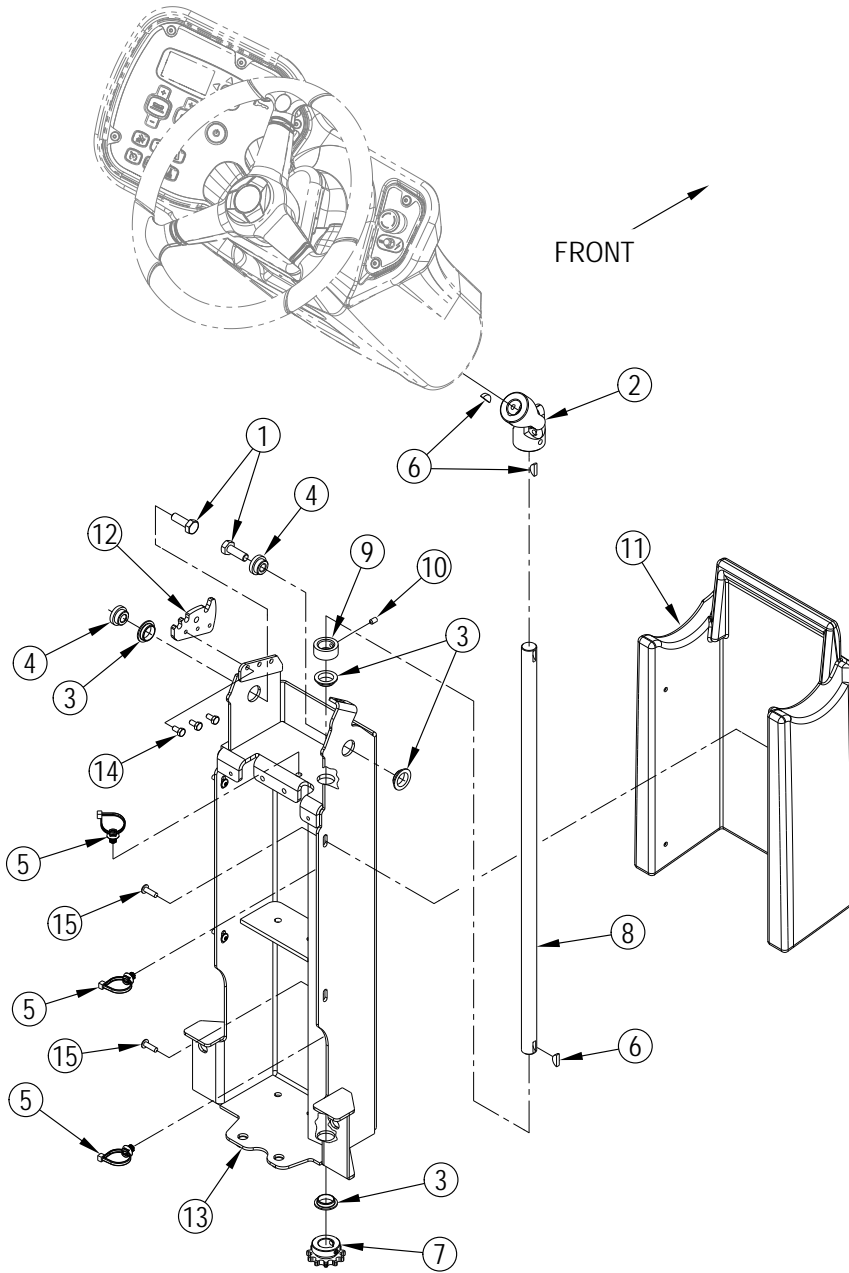
- [4] - K3
- [5] - K4
- [6] - TSB-FC-2017-053 Abnormal acceleration or deceleration
- [7] - K9
- [8] - K4,K7



Pos.	Artikel-Nr.	Menge	Variante	Notes
1		1	Washer, Flat 13x24	[1]
2		3	Screw Soc. Hd M5x40	[2]
3		2	Screw M8x20 Hex Hd F/Thd	[3]
4		3	Washer, Flat 5,3x10	[2]
5	56104247	1	DISCONNECT-EMERGENCY	
6	56104407	1	BEARING -FLANGE	
7	56116054	1	PCB BOX ASSEMBLY	
	56116056	1	MEMBRANE PANEL ASSEMBLY	
8	56116102	1	WHEEL-STEERING	
9	56116122	1	CAP-STEERING WHEEL	
10	56116165	1	SHAFT-STEERING-UPPER 20MM	
11	56116312	1	SHROUD-STEERING COLUMN-UPPER	
12		1	Paddle Assembly	
13	56116477	1	IBUTTON-PROBE	
14		1	Bearing-Flange-14x16x17mm	[3]
15	56116518	1	SMART KEY-USER	
16	56116519	1	SMART KEY-SUPERVISOR	
17	56116580	1	STEERING COLUMN WELDMENT-UPPER	
18		1	Cable Tie Mount	[1]
19		1	Lever Weldment-Tilt	[3]
20		1	Handle-Tilt Lever	[3]
21		1	Key-Wdf 5x7.5x19 Uni6606	[1]
22		9	Screw M6x20 Wn1451 Black Zn	[1]
23	56116802	1	MOUNTING PANEL-E-STOP BREAKER	
24		2	Screw M8x25 Iso7380 Flange Blk	[1]
25		1	Washer-Retaining 12mm Din6799	
26		1	Spring-Extension-0.50x1.25in	
27	56507644	1	CIRCUIT BREAKER 10 AMP	
28		1	Screw M6x10 Hex Hd F/Thd Ss	[1]
29		1	Nut, Hex Nyl Loc Thin M12	[1]
30		1	Scr, Pan Phil M3.5x10	[1]
31	40892A	1	Zweipoliges Umschalt-	
32	56116846	1	SPRING-EXTENSION 0.75X3.00IN	
33		1	Washer Flat XI 6x18x1.5	[1]
34		2	Scr, Pan Phil M4x10	[1]
35		1	Housing-Paddle-Cover	[2]
36		1	Housing-Paddle	[2]
37		1	Plate-Blank-Paddle	[2]
38		2	Screw M5x20 Wn1451 Black Zn	[2]
39		1	Paddle-Boost Of Power	[4]
40		1	Paddle-Horn	[4]
41		1	Paddle-Solution	[4]
42		3	Spring-Torsion .33in-135deg	[4]
43	56116529	1	HARNES-PADDLE	
			Service Kits	
K1	56116913	1	PADDLE KIT	
K2	56116914	1	PADDLE HOUSING KIT	
K6	56118052	1	HARDWARE KIT-UPPER COLUMN	
K10	56118066	1	COLUMN TILT KIT	

## Part Notes:

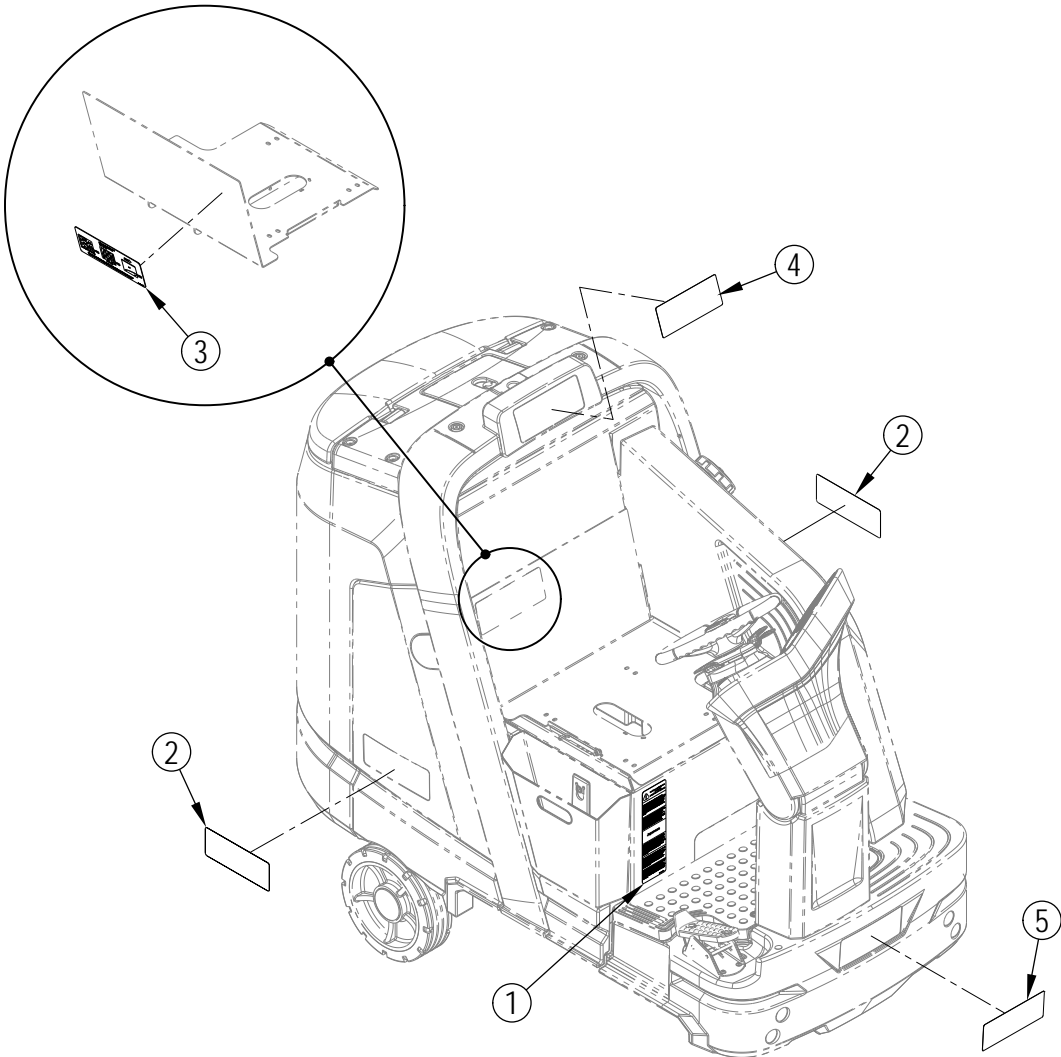
- [1] - K6  
 [2] - K2  
 [3] - K10  
 [4] - K1



Pos.	Artikel-Nr.	Menge	Variante	Notes
1		2	Screw M10x30 Hex Hd F/Thd	[1]
2	56116169	1	UNIVERSAL JOINT 20MM	
3		4	Bearing-Flange-20x23x7mm	[1]
4		2	Bushing-Flange-10x20x12mm	[2]
5		3	Cable Tie Mount	[2]
6		3	Key-Wdf 5x7.5x19 Uni6606	[1]
7	56104269	1	SPROCKET-11 TOOTH	
8	56116163	1	SHAFT-STEERING-LOWER-20MM	
9		1	Collar-Shaft-20x32x14mm	[3]
10		1	Screw M6x1.0x10 Soc.Set Cylindrical	[3]
11	56116278	1	SHROUD-STEERING COLUMN-LOWER	
12	56116323	1	PLATE-TILT ADJUSTMENT	
13	56116570	1	STEERING COLUMN WELDMENT-LOWER	
14		3	Screw M6x12 Hex Hd F/Thd Ss	[3]
15		4	Screw M6x20 Wn1451 Black Zn	[3]
			Service Kits	
K5	56116904	1	HARDWARE KIT-COLUMN	
K7	56116987	1	HARDWARE KIT-LOWER COLUMN	

## Part Notes:

- [1] - K5, K7  
 [2] - K5  
 [3] - K7

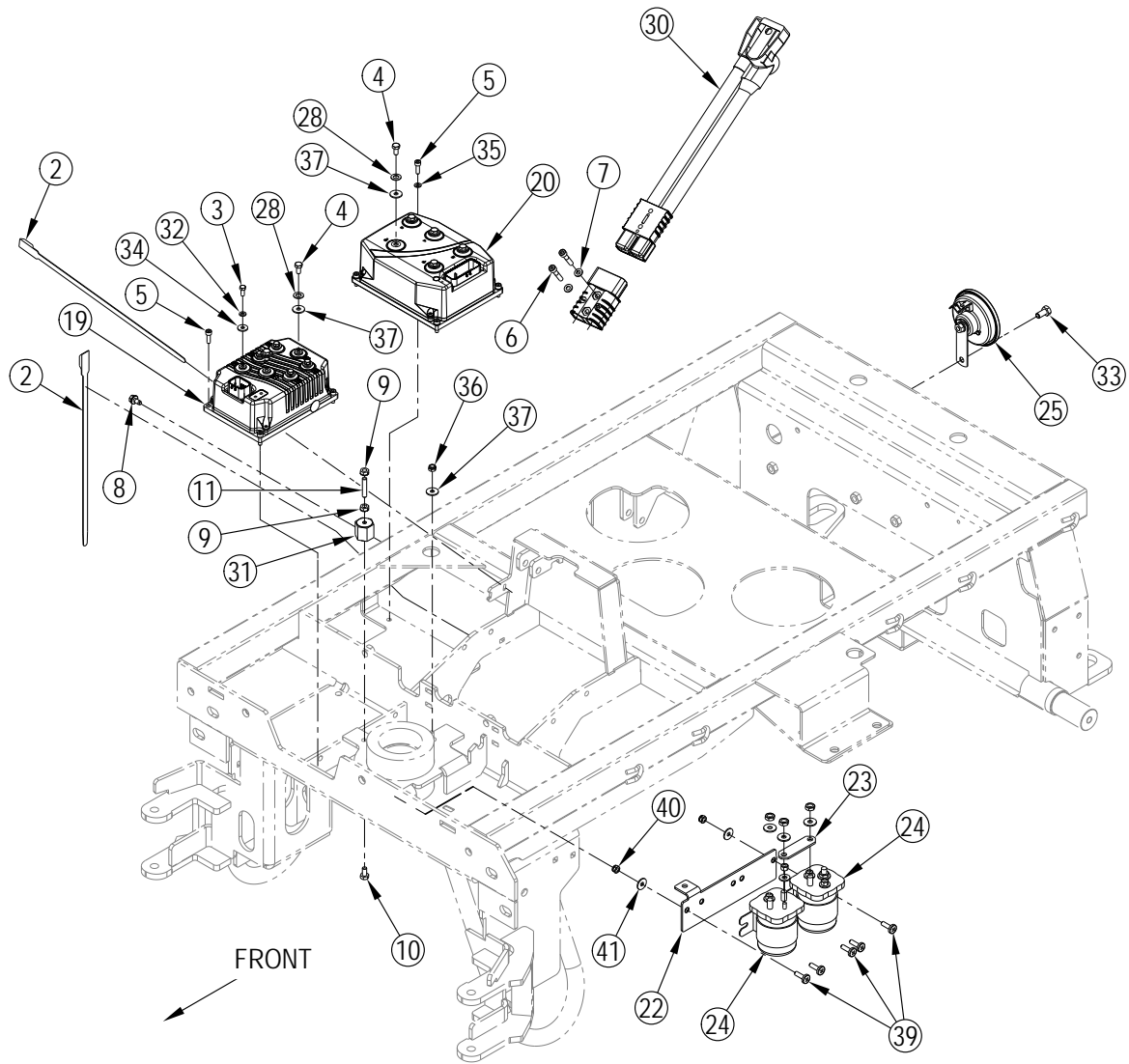


---

Pos.	Artikel-Nr.	Menge	Variante	Notes
1		1	Decal, Caution	[1]
2		2	Decal-SC6000-Nilfisk	[1]
2		2	Decal-SC6000-Ecoflex-Nilfisk	[1]
3		1	Decal-Battery Wiring 36v	[1]
4		1	Decal Nilfisk Rectangular	[1]
5		1	Decal Nilfisk Rectangular 210x83	[1]
			Service Kits	
K1	56118069	1	DECAL KIT-EMEA	
K1	56118068	1	DECAL KIT-AMERICAS	[2]

## Part Notes:

- [1] - K1
- [2] - ONLY Advance





Pos.	Artikel-Nr.	Menge	Variante	Notes
1		29	Clamp 290x4.8	[1]
2		2	Clamp 9x350	[1]
3		5	Screw M5x12 Hex Hd F/Thd	[2]
4		7	Screw M6x12 Hex Hd F/Thd	[2]
5		8	Screw Soc. Hd M5x16 Ss	[2]
6		2	Screw Soc. Hd M6x30	[1]
7		2	Washer, Flat 6,4x12,5	[1]
8		1	Screw Thread Rolling M6x12	[1]
9		2	Nut, Hex W/ Shprf 1/4-20	
10		1	Scr- Hex Ss 1/4-20 X .50	
11		1	Stud, 1/4-20	
12	56116050	1	HARNES-MAIN	[3]
	56115432	1	FUSE-150 AMP	[3]
13	56116059	1	HARNES-TRACTION	[3]
14	56116061	1	CABLE-SPEED CONTROLLER-RED	[3]
15	56116062	1	CABLE-SPEED CONTROLLER-BLACK	[3]
16	56116063	1	CABLE-POWER MODULE-RED	[3]
17	56116064	1	CABLE-POWER MODULE-BLACK	[3]
18	56116065	1	HARNES-MACHINE POWER	[3]
19	56116087	1	MODULE-HIGH POWER	[4]
20	56116131	1	SPEED CONTROL	
21		1	Contacto Assembly	[5]
22	56116300	1	PLATE-CONTACTOR MOUNTING	[6]
23	56116345	1	BUS BAR-CONTACTOR	[6]
24	56118145	2	CONTACTOR-36V -TYPE 4	[6]
25	56116375	1	HORN-36V	
26	56116396	1	Harness-Vacuum Float	[3]
27		7	Cable Tie Mount	[1]
28		7	Washer Int Lock M6 Din6798jss	[2]
29	56116909	1	HARNES-SEAT SWITCH	[3]
30	56116977	1	HARNES ASSEMBLY-BATTERY	
31		1	Electrical Mount	
32		5	Washer, Ext. Shprf Ø 5 Ss	[2]
33		1	Screw M8x16 Hex Hd F/Thd Ss	[1]
34		5	Washer Flat XI 5.5x15.0x1.6ss	[2]
35	L08241500	4	SCHEIBE 5.3 A 2	
36		1	Nut, Hex Nyl Loc Thin M6ss	[1]
37		8	Washer Flat XI 6x18x1.5 -Ss	[7]
38		15	Tie, Cable 4.8x430	[1]
39		5	Scr, Pan Phil M6x20	[6]
40		2	Nut, Hex Nyl Loc Thin M6 Ss	[6]
41		2	Washer Flat XI 6x18x1.5 - Ss	[6]
			Service Kits	
K1	56118049	1	ELECTRICAL MOUNT KIT	
K2	56116992	1	HARDWARE KIT-ELECTRICAL	
K3	56116926	1	HARDWARE KIT-CONTROLLERS	
K4	56116993	1	HARDWARE KIT-CONTACTOR ASSY	

## Part Notes:

- [1] - K2
- [2] - K3
- [3] - Not Shown
- [4] - TSB-FC-2017-048 SC6000 2-081 EPROM error
- [5] - K4 - (Power Module K2, / Speed Controller K3)
- [6] - K4
- [7] - K2, K3

