

 **Nilfisk**<sup>®</sup>

 07351-5758060

[kontakt@nilfisk-alto-shop.com](mailto:kontakt@nilfisk-alto-shop.com)



 **Heine**  
Vertriebs-GmbH

**Preisabfrage bzw. Bestellungen der Artikel im Shop unter**

**[www.nilfisk-alto-shop.com](http://www.nilfisk-alto-shop.com)**

**einfach die Artikelnummer in die Suchmaske eingeben**

**(Bitte die Artikelnummer ohne Leerzeichen eingeben)**

# PARTS LIST

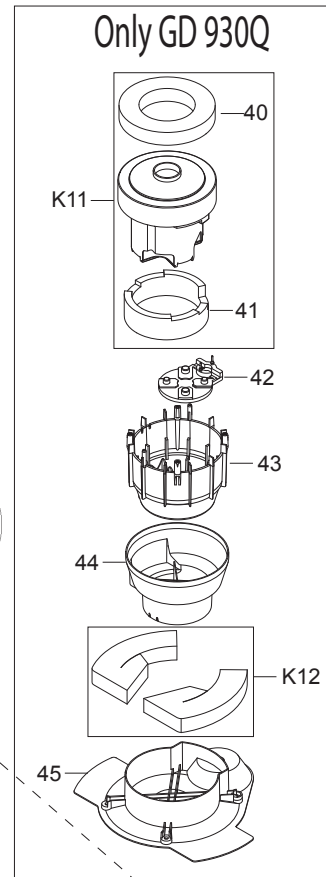
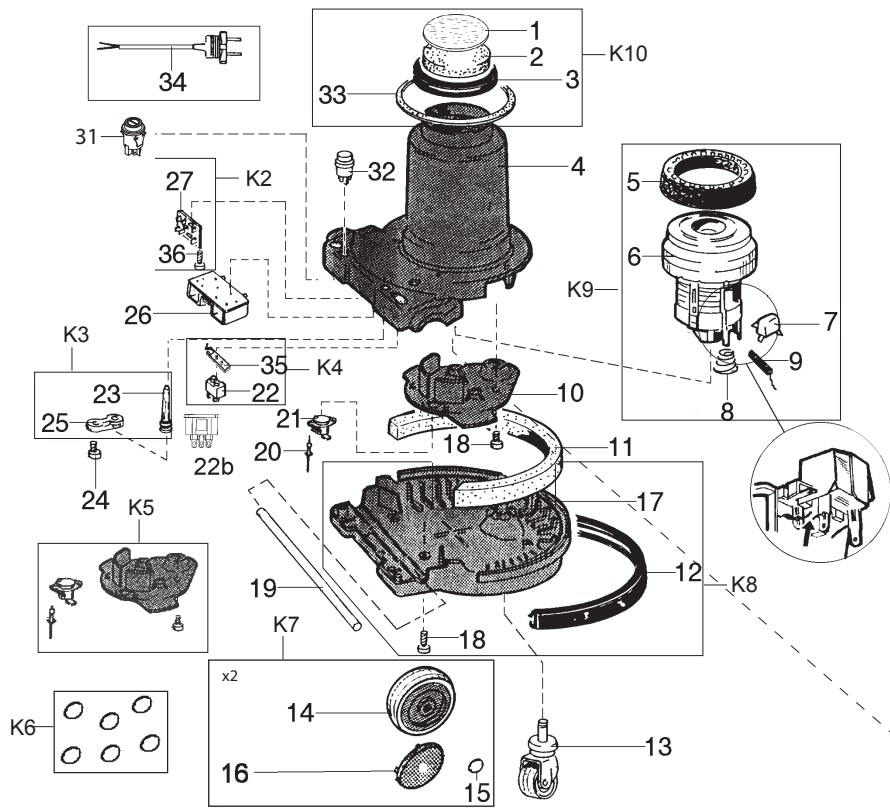


2016.01.19

# TABLE OF CONTENTS

---

|  |    |
|--|----|
| Lower parts after serial no. (12.2012).....  | 1  |
| Lower parts before serial no. (11.2012)..... | 5  |
| Container and Filters .....                  | 9  |
| Nozzles Ø 32 mm.....                         | 11 |
| Hose and tubes.....                          | 13 |
| Power brush UZ 984 line drawing.....         | 15 |
| RECOMMENDED SPARE PARTS.....                 | 17 |
| Wiring.....                                  | 19 |



| Pos. | Artikel-Nr.  | Menge | Variante                                 | Notes |
|------|--------------|-------|--|-------|
| 00   | 107412603    |       | BOX GD 930 10X                           | [1]   |
| 1    |              | 1     | Part of kit K10                          | [2]   |
| 2    | 140 1535 510 | 1     | Filter-MotorschutzPaket à 3 Stück        |       |
| 3    |              | 1     | Part of kit K10                          | [2]   |
| 4    | 107413587    | 1     | STAND BLACK ON-OFF ONLY W POWER OUTLET   | [3]   |
| 4    | 107413588    | 1     | STAND BLACK DUAL SPEED W POWER OUTLET    |       |
| 4    | 107413589    | 1     | STAND BLACK ON-OFF ONLY W POWEROUTLET US | [4]   |
| 5    | 140 7901 000 | 1     | Aufhängering UZ930-neu-                  |       |
| 6    |              | 1     | Part of kit K9                           | [5]   |
| 7    | 140 8166 010 | 1     | Kondensator GD 930                       |       |
| 8    | 140 7016 000 | 1     | Feder UZ 930/S                           |       |
| 9    | 140 7719 000 | 1     | Kohle GD930/UZ934                        |       |
| 10   |              | 1     | Part of kit K5                           | [6]   |
| 11   | 140 7022 500 | 1     | MUFFLER STRIP                            |       |
| 12   |              | 1     | Part of kit K8                           | [7]   |
| 13   | 140 7025 500 | 1     | Lenkrolle GD 930                         |       |
| 14   |              | 1     | Part of kit K7                           | [8]   |
| 15   |              | 1     | Part of kit K7                           | [8]   |
| 16   |              | 1     | Part of kit K7                           | [8]   |
| 17   |              | 1     | Part of kit K8                           | [7]   |
| 18   | 140 9214 070 | 3     | Schraube 50x14                           |       |
| 19   | 140 5059 000 | 1     | Achse (Shaft)                            |       |
| 20   | 140 5694 000 | 1     | Niete                                    |       |
| 21   | 140 3894 500 | 1     | Thermoschalter GD 930                    |       |
| 22   | 010 9678 500 | 1     | Steckdose GD930                          |       |
| 23   |              | 1     | Part of kit K3                           | [9]   |
| 24   | 140 9214 040 | 2     | Schraube 40x14                           |       |
| 25   | 056 1014 060 | 1     | Tripper/Anti-Strain Clip                 |       |
| 26   | 140 7026 500 | 1     | 2 Stufenschalter GDP 2000                |       |
| 31   | 107408927    | 1     | Schalter ON/OFF 930-SERIES               |       |
| 32   | 140 7023 500 | 1     | Schalter GD 930 / S2                     |       |
| 33   |              | 1     | Part of kit K10                          | [2]   |
| 34   | 140 6423 500 | 1     | Netzkabel 15m schwarz zu Backuum BB      |       |
| 34   | 107407565    | 1     | CORD SET ORANGE 15.5M - KIT              | [10]  |
| 35   | 010 9678 500 | 1     | Steckdose GD930                          |       |
| 36   | 140 7027 010 | 1     | Schraube                                 |       |
| 40   | 107410498    | 1     | TURBINE DAMPER                           |       |
| 41   | 107410499    | 1     | SOUND ABSORBER                           |       |
| 42   | 107410500    | 1     | MOTOR DAMPER                             |       |
| 43   | 107410501    | 1     | INNER AIRGUIDE                           |       |
| 44   | 107410502    | 1     | INNER AIRGUIDE 2                         |       |
| 45   | 107410503    | 1     | BASEPLATE GD930Q                         |       |
| K2   | 140 7024 500 | 1     | Schaltkarte GD 930                       |       |
| K3   | 140 7035 500 | 1     | Kabelführung-Kit                         |       |
| K4   | 140 7665 500 | 1     | Steckdose 15A 250V                       |       |
| K5   | 140 7012 500 | 1     | Motorplatte inkl. Thermo-                |       |
| K6   | 140 5058 500 | 1     | Verschlusskappe GD930                    |       |
| K7   | 140 5055 500 | 1     | Laufbandsatz GD 930                      |       |
| K8   | 107408930    | 1     | Bodenplatte                              |       |
| K9   | 107410504    | 1     | TURBINE 220-240V KIT                     |       |
| K10  | 140 1535 500 | 1     | MOTOR PROTECTION                         |       |
| K11  | 107410504    | 1     | TURBINE 220-240V KIT                     | [11]  |
| K11  | 107410505    | 1     | TURBINE 120V KIT                         | [4]   |
| K11  | 107410506    | 1     | TURBINE 100V KIT                         | [12]  |
| K12  | 107410507    | 1     | EXHAUST FOAM                             |       |

## Part Notes:

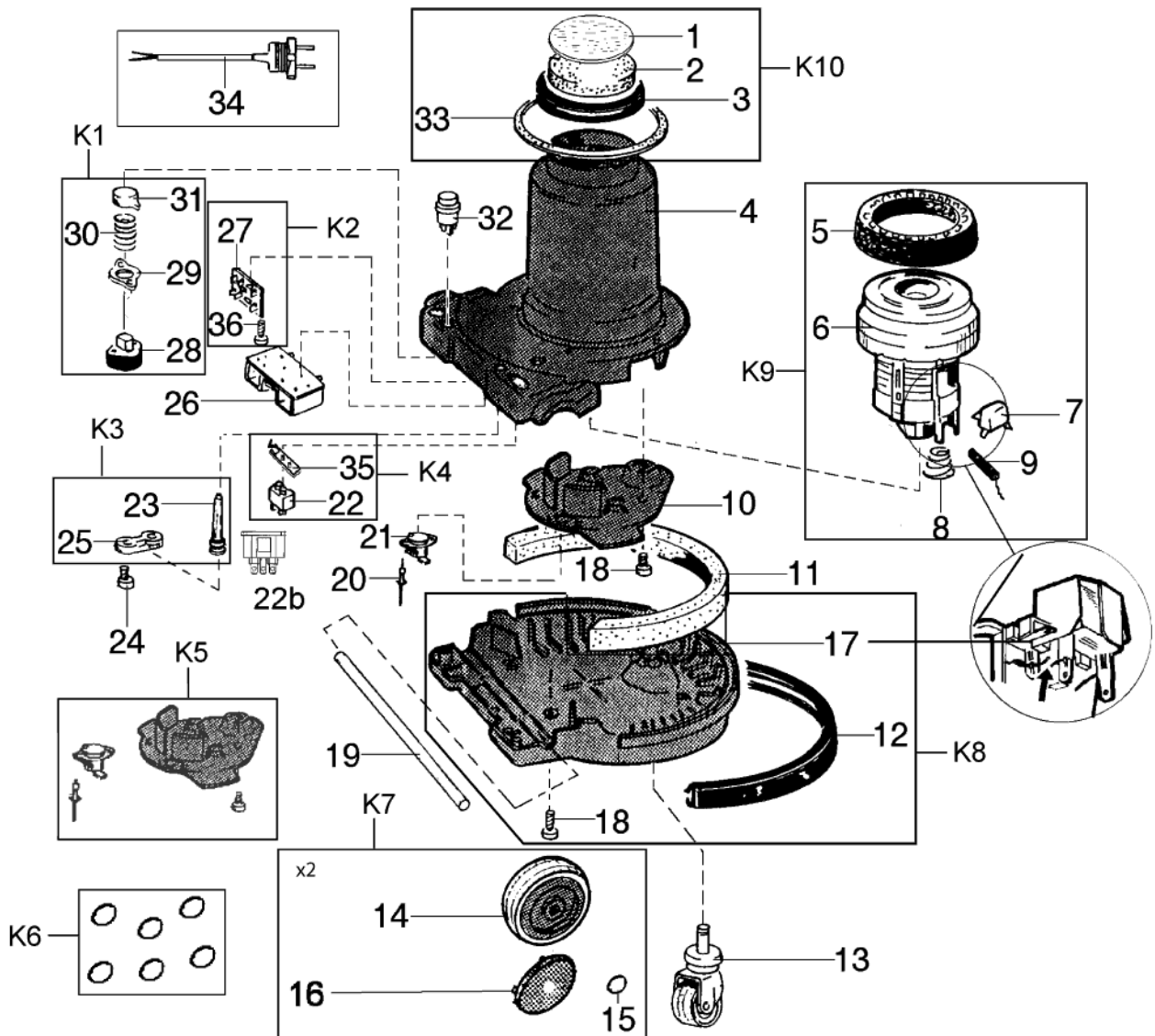
- [1] - Neutral Box kit containing 10 pcs  
 [2] - part of kit K10

- [3] - To be used on dark/light grey versions also
- [4] - US
- [5] - part of kit K9
- [6] - part of kit K5
- [7] - part of kit K8
- [8] - part of kit K7
- [9] - part of kit K3
- [10] - Nordic
- [11] - EU, UK, AUS/NZ, CN
- [12] - JP



**Comments:**







| Pos. | Artikel-Nr.  | Menge | Variante                            | Notes |
|------|--------------|-------|-------------------------------------|-------|
| 00   | 140 7031 010 | 1     | CARTON UZ 930S WHITE                | [1]   |
| 2    | 140 1535 510 | 1     | Filter-MotorschutzPaket à 3 Stück   |       |
| 4    | 140 7010 500 | 1     | Untergestell f. GD 930              |       |
| 4    | 140 7010 080 | 1     | STAND UL-LISTED                     |       |
| 4    | 140 7010 530 | 1     | STAND BASIC                         |       |
| 4    | 140 7010 540 | 1     | STAND S2 W SQUARE HOLE E-NOZZLE     |       |
| 4    | 140 7010 510 | 1     | Motorgehäuse GD/UZ 930S2            |       |
| 5    | 140 7901 000 | 1     | Aufhängering UZ930-neu-             |       |
| 6    |              | 1     | Part of kit K9                      | [2]   |
| 7    | 140 8166 010 | 1     | Kondensator GD 930                  |       |
| 8    | 140 7016 000 | 1     | Feder UZ 930/S                      |       |
| 9    | 140 7719 000 | 1     | Kohle GD930/UZ934                   |       |
| 9    | 140 7720 000 | 1     | Kohlebürste 110-120V                |       |
| 9    | 001 8619 110 | 1     | Kohle UZ 930/S                      |       |
| 11   | 140 7022 500 | 1     | MUFFLER STRIP                       |       |
| 13   | 140 7025 500 | 1     | Lenkrolle GD 930                    |       |
| 18   | 140 9214 070 | 3     | Schraube 50x14                      |       |
| 19   | 140 5059 000 | 1     | Achse (Shaft)                       |       |
| 20   | 140 5694 000 | 1     | Niete                               |       |
| 21   | 140 3894 500 | 1     | Thermoschalter GD 930               |       |
| 22   | 010 9678 500 | 1     | Steckdose GD930                     |       |
| 22b  | 140 7665 500 | 1     | Steckdose 15A 250V                  | [3]   |
| 23   | 093 1027 010 | 1     | Kabelschutz                         |       |
| 24   | 140 9214 040 | 2     | Schraube 40x14                      |       |
| 25   | 056 1014 060 | 1     | Trippler/Anti-Strain Clip           |       |
| 26   | 140 7026 500 | 1     | 2 Stufenschalter GDP 2000           |       |
| 26   | 140 7026 500 | 1     | 2 Stufenschalter GDP 2000           |       |
| 26   | 140 7026 510 | 1     | 2S CIRCUIT BOARD 110-120V KIT       |       |
| 31   | 140 7805 000 | 1     | Knopf, rot f. GD 930                | [4]   |
| 32   | 140 7023 500 | 1     | Schalter GD 930 / S2                |       |
| 34   | 140 6423 560 | 1     | CORD US L 10M GROUNDED              |       |
| 34   | 140 6423 540 | 1     | CORD UK L 10M                       |       |
| 34   | 140 6423 580 | 1     | CORD AU L 15.5M                     |       |
| 34   | 140 6423 510 | 1     | Anschlußkabel EU, 10 m              |       |
| 34   | 140 6423 530 | 1     | CORD UK L 15M                       |       |
| 34   | 107407565    | 1     | CORD SET ORANGE 15.5M - KIT         | [5]   |
| 34   | 140 6423 570 | 1     | CORD JP L 15M                       |       |
| 34   | 107401390    | 1     | CORD SET CN 15.5M - KIT             |       |
| 34   | 140 6423 550 | 1     | CORD US PLUG L 15M                  |       |
| 34   | 140 6423 500 | 1     | Netzkabel 15m schwarz zu Backuum BB |       |
| 34   | 140 3859 020 | 1     | CORD SET                            | [6]   |
| 34   | 140 6423 520 | 1     | CORD KIT CH L 15M                   | [7]   |
| 35   | 010 9678 500 | 1     | Steckdose GD930                     |       |
| K1   | 107408927    | 1     | Schalter ON/OFF 930-SERIES          |       |
| K10  | 140 1535 500 | 1     | MOTOR PROTECTION                    |       |
| K2   | 140 7024 500 | 1     | Schaltkarte GD 930                  |       |
| K3   | 140 7035 500 | 1     | Kabelführung-Kit                    |       |
| K3   | 140 7035 510 | 1     | PROTECTION SLEEVE US KIT            |       |
| K4   | 140 7665 500 | 1     | Steckdose 15A 250V                  |       |
| K5   | 140 7012 500 | 1     | Motorplatte inkl. Thermo-           |       |
| K5   | 140 7012 510 | 1     | Motorplatte                         |       |
| K6   | 140 5058 500 | 6     | Verschlusskappe GD930               |       |
| K7   | 140 5055 500 | 2     | Laufbandsatz GD 930                 |       |
| K8   | 140 7011 510 | 1     | Unterteil f. UZ930S/S2              |       |
| K8   | 140 7011 500 | 1     | Boden & Stossring-KitGD/UZ 930S/S2  |       |
| K9   | 140 7902 500 | 1     | Saugmotor UZ930/S                   |       |
| K9   | 140 7902 520 | 1     | Saugmotor 240VSL010/UZ934           | [8]   |
| K9   | 140 7902 530 | 1     | FAN UNIT KIT DOMEL 100V             | [9]   |
| K9   | 140 7902 510 | 1     | Motor 930/934, 110-120V             | [3]   |

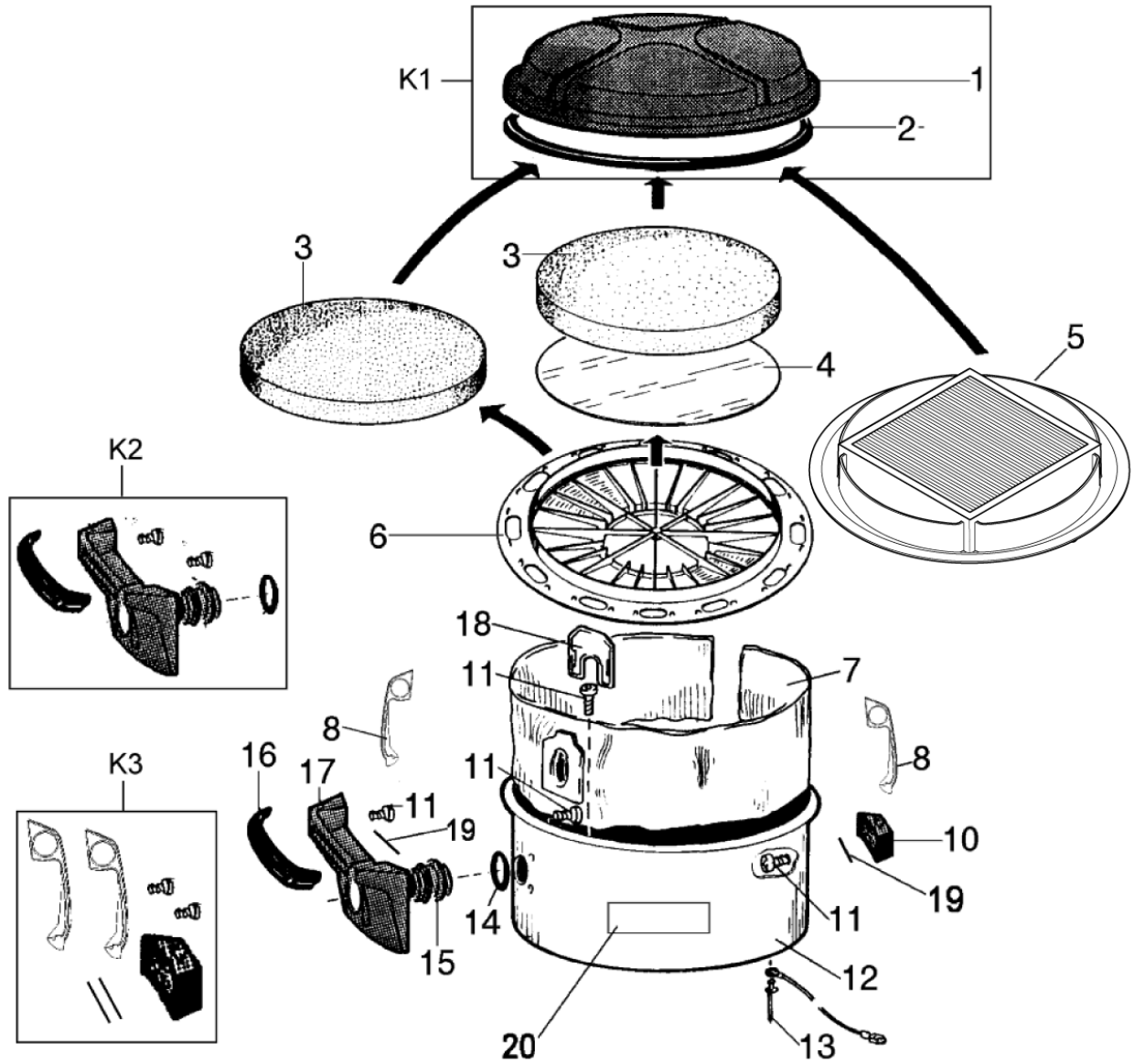
Part Notes:

- [1] - NEUTRAL, FOR PANTHER
- [2] - Part of K9
- [3] - US
- [4] - STOCK COVERS GUARANTEE
- [5] - campain modul
- [6] - 120V US/CA
- [7] - Machine outphased 2010
- [8] - (UZ934)
- [9] - JP



**Comments:**

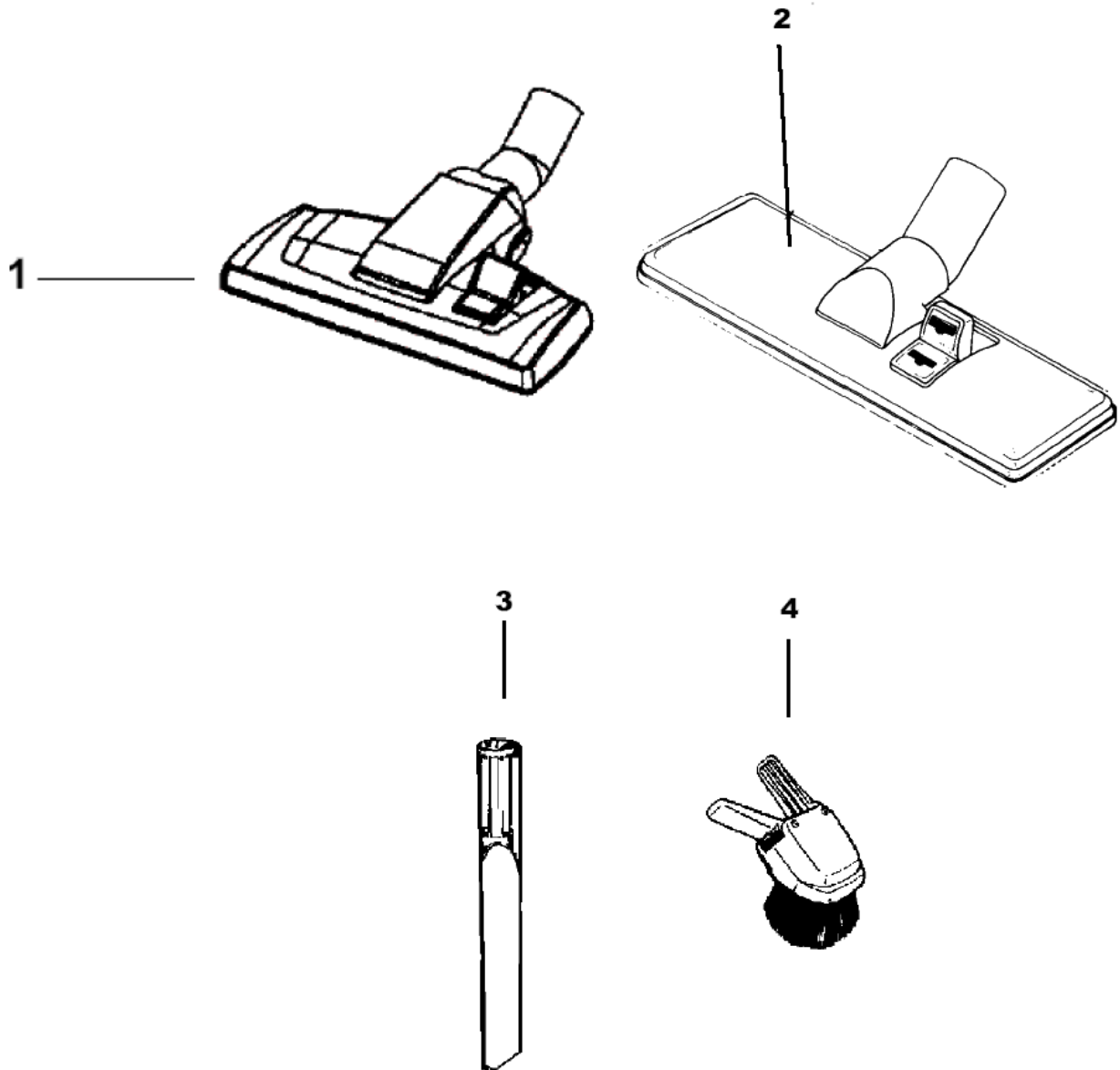




| Pos. | Artikel-Nr.  | Menge | Variante                                | Notes |
|------|--------------|-------|---|-------|
| 1    | 140 7801 500 | 1     | Deckel mit Filter fürGD 930             | [1]   |
| 1    | 140 7802 080 | 1     | LID RED                                 |       |
| 2    | 140 0061 030 | 1     | Dichtung GD 930                         |       |
| 3    | 140 1515 500 | 1     | Filter Schaumstoff UZ 930               |       |
| 4    | 140 3260 500 | 1     | Papierfilter UZ 930/SPaket à 5 Stück    |       |
| 4    | 140 5661 000 | 1     | Hygienefilter UZ 930/S                  |       |
| 5    | 140 2666 010 | 1     | HEPA-Filter UZ 930/S                    |       |
| 6    | 140 2911 000 | 1     | Filterhalter zu GD 930                  |       |
| 7    | 140 7313 020 | 1     | Staubbeutel GD 930 spez.High Filter     |       |
| 7    | 140 7019 500 | 1     | Stoffbeutel GD 930 1 Stk                |       |
| 7    | 140 7015 040 | 1     | Staubbeutel GD/UZ 93010 Stk.            |       |
| 8    |              | 1     | Part of K3 item 140 7832 500            | [2]   |
| 10   | 140 7832 500 | 1     | Kesselklammerset GD 930                 |       |
| 11   | 140 9214 070 | 8     | Schraube 50x14                          |       |
| 12   | 140 7020 510 | 1     | Behälter, Chrom                         |       |
| 13   | 140 5694 000 | 1     | Niete                                   |       |
| 14   | 740 4416 000 | 1     | O-Ring                                  | [3]   |
| 15   | 140 7013 000 | 1     | Zwischenstück zu GD 930                 |       |
| 16   |              | 1     | Part of K2                              | [4]   |
| 17   |              | 1     | Part of K2                              | [4]   |
| 18   | 140 7014 500 | 1     | StaubbeutelverschlussGD/UZ 930/S2 3 Stk |       |
| 19   |              | 1     | Part of K3                              | [5]   |
| 20   | 140 7877 000 | 1     | DECAL NILFISK GD 930                    |       |
| 23   | 140 9214 040 | 2     | Schraube 40x14                          | [6]   |
| K1   | 140 7801 500 | 1     | Deckel mit Filter fürGD 930             |       |
| K1   | 140 7801 510 | 1     | LID WITH HEPA FILTER                    |       |
| K2   | 140 7800 500 | 1     | Griffgummi GD 930/S2                    |       |
| K3   | 140 7832 500 | 1     | Kesselklammerset GD 930                 |       |
| NI   | 140 6076 000 | 1     | SIGN                                    | [7]   |
| NI   | 140 6754 000 | 1     | LABEL                                   | [8]   |
| NI   | 140 7784 000 | 1     | BOX FOR GD 930                          |       |

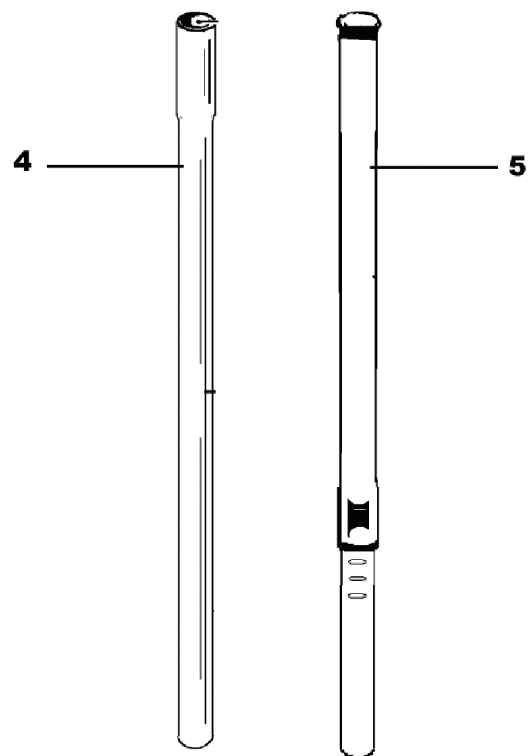
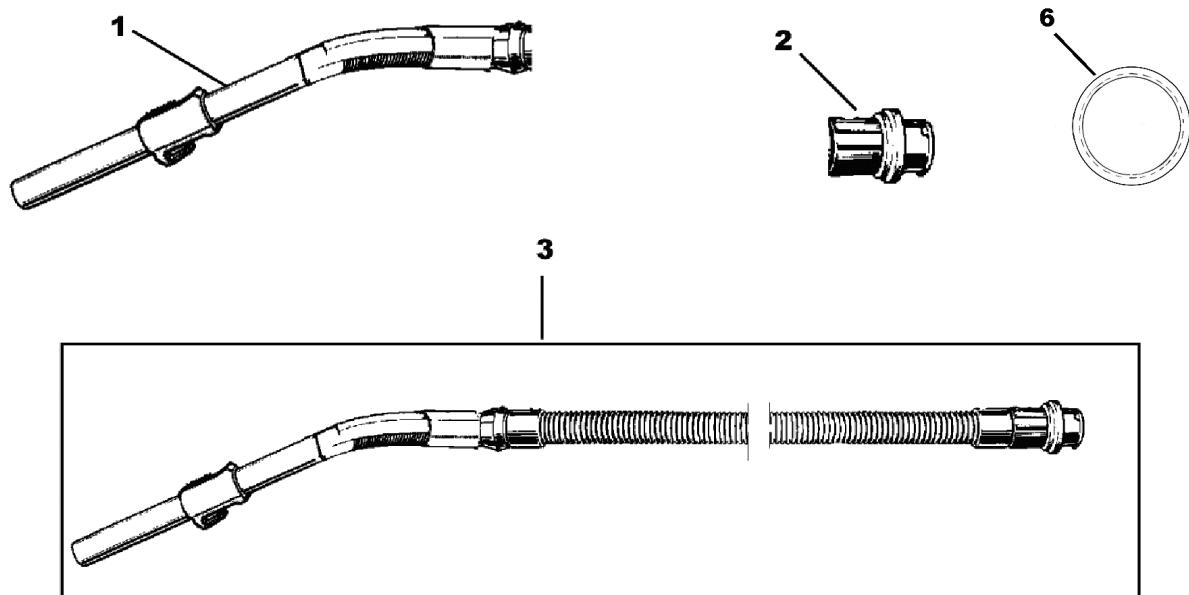
Part Notes:

- [1] - LID BLACK
- [2] - Part of K3 item 140 7832 500
- [3] - TERMINATED NO REPLACEMENT
- [4] - Part of K2
- [5] - Part of K3
- [6] - Incl. in K2
- [7] - Emptying - if this vacuum cleaner is...
- [8] - Warning HEPA filter must be installed...



---

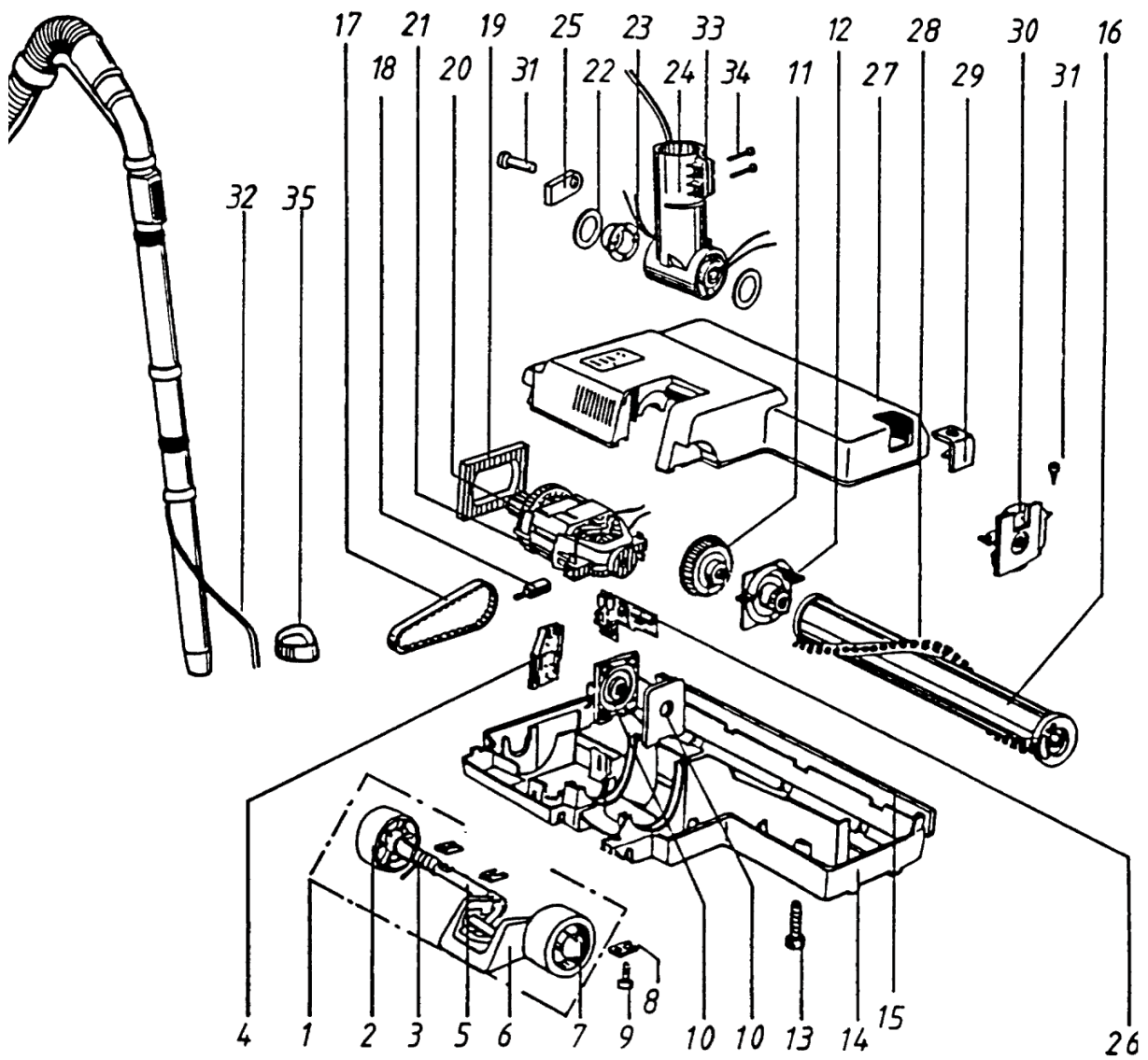
| Pos. | Artikel-Nr.  | Menge | Variante                       | Notes |
|------|--------------|-------|--------------------------------|-------|
| 01   | 140 8492 520 | 1     | Kombidüse D35/300 mit Parkclip |       |
| 02   |              | 1     | Not available                  |       |
| 03   | 010 3098 500 | 1     | Fugendüse 32-250 mm            |       |
| 04   | 011 3104 500 | 1     | Kombidüse klein                |       |





---

| Pos. | Artikel-Nr.  | Menge | Variante                             | Notes |
|------|--------------|-------|--------------------------------------|-------|
| 01   | 140 5116 500 | 1     | Rohrbogen Alu GD 930                 |       |
| 02   | 140 3846 500 | 1     | Muffe 32mm Bajoner ks                |       |
| 03   | 140 2782 500 | 1     | Schlauch PVC kompl.UZ 930, 32-1900mm |       |
| 04   | 011 6431 500 | 1     | Verlängerungsrohr 32x500 mm Alu      |       |
| 05   | 011 8130 500 | 1     | Teleskoprohr Alu 32mm                |       |
| 06   | 010 9299 540 | 1     | Dirchtung GD 930                     |       |



| Pos. | Artikel-Nr.  | Menge | Variante                  | Notes |
|------|--------------|-------|---------------------------|-------|
| 00   | 909 1220 010 | 1     | Elektrosaugbürste 220V    |       |
| 00   | 909 1221 010 | 1     | UZ 984 POWER NOZZLE 240V  | [1]   |
| 01   | 093 1751 000 | 1     | Shaft                     |       |
| 02   | 093 1750 000 | 2     | Rad UZ 814                | [2]   |
| 03   | 093 1752 000 | 1     | Feder                     | [3]   |
| 04   | 142 0882 000 | 1     | BEARING PLATE             |       |
| 05   | 093 1754 000 | 1     | Achse f.UZ984             |       |
| 06   | 093 1755 000 | 1     | Entriegelungshebel        |       |
| 07   | 093 1757 000 | 2     | Sicherungsscheibe UZ984   | [2]   |
| 08   | 093 1759 000 | 3     | WASHER                    | [2]   |
| 09   | 093 1760 000 | 5     | SCREW RXS 3.9 13 Z.PL..   | [2]   |
| 10   | 142 0883 000 | 2     | BEARING CPL..             |       |
| 11   | 142 0559 000 | 1     | Bürstenantriebsrad f.     |       |
| 12   | 093 1763 000 | 1     | Gleitlager                | [2]   |
| 13   | 093 1764 000 | 4     | SCREW MRX M5X25           |       |
| 14   | 093 1765 000 | 1     | Unterteil f. ESB 22203000 |       |
| 15   | 142 0885 000 | 1     | Stoßgummi                 |       |
| 16   | 093 1769 000 | 1     | Bürstenwalze              | [4]   |
| 17   | 093 1781 000 | 1     | Antriebsriemen /Belt 2025 | [3]   |
| 18   | 093 1783 000 | 2     | Kohlebürsten              |       |
| 19   | 093 1782 000 | 1     | INJECTOR                  | [3]   |
| 20   | 093 1780 000 | 1     | Gear / Ritzel UZ984       | [2]   |
| 21   | 093 1806 000 | 1     | BRUSH MOTOR 115V          |       |
| 21   | 093 1779 000 | 1     | MOTOR                     | [3]   |
| 21   | 093 1805 000 | 1     | MOTOR 240V                |       |
| 22   | 142 0886 000 | 2     | WASHER                    |       |
| 23   | 142 0887 000 | 2     | CONDUCTOR BEARING         |       |
| 24   | 142 0888 000 | 1     | VERBINDUNGSGELENK UZ 984  |       |
| 25   | 142 0889 000 | 1     | ANTI STRAIN CLIP          |       |
| 26   | 142 0890 000 | 1     | EL. CONTROL BOARD 220V    |       |
| 26   | 142 0891 000 | 1     | EL. CONTROL BOARD 240V    |       |
| 26   | 142 0892 000 | 1     | EL.CONTROL BOARD 110V     |       |
| 27   | 142 0893 000 | 1     | TOP.                      | [5]   |
| 28   | 093 1770 000 | 1     | Brush 2054                | [6]   |
| 29   | 093 1768 000 | 1     | SUPPORT                   | [5]   |
| 30   | 093 1767 000 | 1     | Gleitlager (UZ984)        | [3]   |
| 31   | 093 1756 000 | 7     | SCREW RXS 3.9 16 Z.PL.    | [2]   |
| 32   | 142 0894 000 | 1     | Verl.-Kabel               |       |
| 33   | 093 1786 000 | 2     | SQUARE NUT M4             |       |
| 34   | 18274        | 2     | Senkschraube M4x12        |       |
| 35   | 011 3634 000 | 1     | Hose Clip                 |       |

## Part Notes:

- [1] - PRUNED - NO REPLACEMENT
- [2] - Machine outphased 1998  
STOCK COVERS GUARANTEE
- [3] - Machine outphased 1998
- [4] - Unit incl strip
- [5] - STOCK COVERS GUARANTEE
- [6] - Only the strip is supplied

**No  
Diagram  
Available**

**Parts List  
Only**

# RECOMMENDED SPARE PARTS

GD 930

2015.05.19

2013.04.02

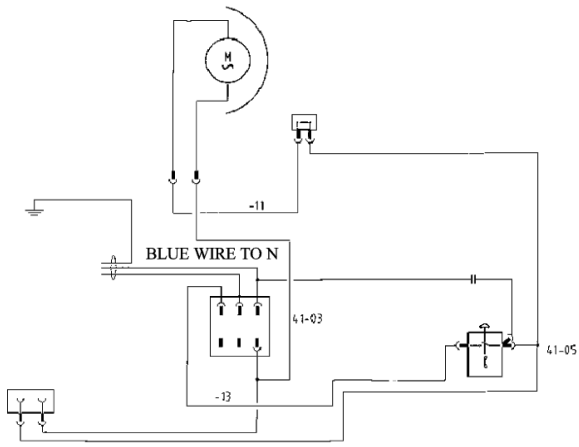
| Pos. | Artikel-Nr.  | Menge | Variante                                | Notes |
|------|--------------|-------|---|-------|
| 01   | 140 1535 500 | 1     | MOTOR PROTECTION                        |       |
| 01   | 140 5055 500 | 1     | Laufbandsatz GD 930                     |       |
| 01   | 140 6423 530 | 1     | CORD UK L 15M                           |       |
| 01   | 140 7012 500 | 1     | Motorplatte inkl. Thermo-               |       |
| 01   | 107401390    | 1     | CORD SET CN 15.5M - KIT                 | [1]   |
| 01   | 140 6423 550 | 1     | CORD US PLUG L 15M                      |       |
| 01   | 140 7026 510 | 1     | 2S CIRCUIT BOARD 110-120V KIT           |       |
| 01   | 140 6423 510 | 1     | Anschlußkabel EU, 10 m                  |       |
| 01   | 140 6423 570 | 1     | CORD JP L 15M                           |       |
| 01   | 140 7801 500 | 1     | Deckel mit Filter fürGD 930             |       |
| 01   | 140 7801 510 | 1     | LID WITH HEPA FILTER                    |       |
| 01   | 140 7014 500 | 1     | StaubbeutelverschlussGD/UZ 930/S2 3 Stk |       |
| 01   | 010 9678 500 | 1     | Steckdose GD930                         |       |
| 01   | 010 9299 540 | 1     | Dirchtung GD 930                        |       |
| 01   | 140 7902 530 | 1     | FAN UNIT KIT DOMEL 100V                 |       |
| 01   | 140 7023 500 | 1     | Schalter GD 930 / S2                    |       |
| 01   | 140 7665 500 | 1     | Steckdose 15A 250V                      |       |
| 01   | 140 6423 520 | 1     | CORD KIT CH L 15M                       | [2]   |
| 01   | 140 7025 500 | 1     | Lenkrolle GD 930                        |       |
| 01   | 140 7024 500 | 1     | Schaltkarte GD 930                      |       |
| 01   | 140 7832 500 | 1     | Kesselklammerset GD 930                 |       |
| 01   | 140 6423 500 | 1     | Netzkabel 15m schwarz zu Backuum BB     |       |
| 01   | 140 7902 500 | 1     | Saugmotor UZ930/S                       |       |
| 01   | 140 6423 560 | 1     | CORD US L 10M GROUNDED                  |       |
| 01   | 140 7033 500 | 1     | Schalter GD 930                         |       |
| 01   | 140 6423 540 | 1     | CORD UK L 10M                           |       |
| 01   | 140 7800 500 | 1     | Griffgummi GD 930/S2                    |       |
| 01   | 140 7026 500 | 1     | 2 Stufenschalter GDP 2000               |       |
| 01   | 140 6423 580 | 1     | CORD AU L 15.5M                         |       |
| 01   | 140 2782 500 | 1     | Schlauch PVC kompl.UZ 930, 32-1900mm    |       |
| 01   | 140 7902 520 | 1     | Saugmotor 240VSL010/UZ934               |       |
| 01   | 140 1515 500 | 1     | Filter Schaumstoff UZ 930               |       |
| 01   | 140 7019 500 | 1     | Stoffbeutel GD 930 1 Stk                |       |
| 01   | 140 7012 510 | 1     | Motorplatte                             |       |
| 01   | 140 7902 510 | 1     | Motor 930/934, 110-120V                 |       |

Part Notes:

- [1] - CN ONLY
- [2] - Machine outphased 2010

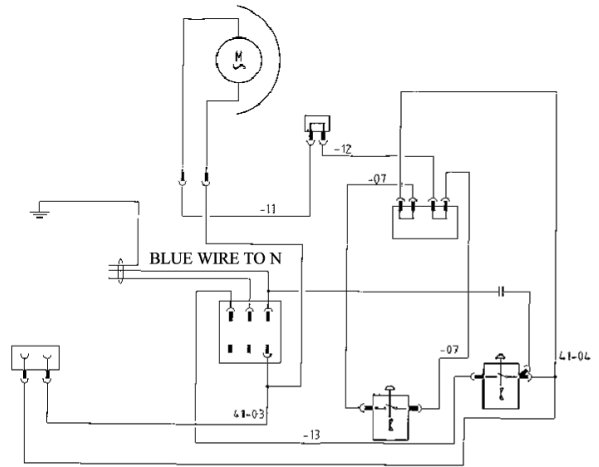
**GD 930 GROUNDED VERSION**

FOR THE NEW DOMEL  
FAN UNITS



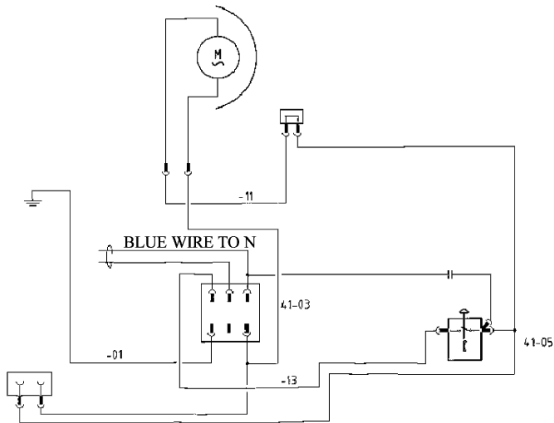
**GD 930S2 GROUNDED**

FOR THE NEW DOMEL  
FAN UNITS



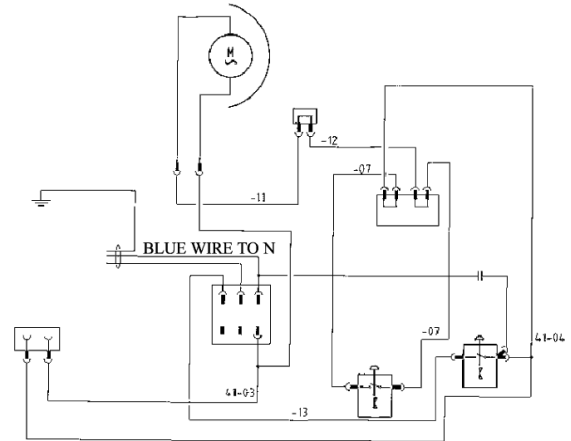
**GD 930 DOUBLE INSULATED**

FOR THE NEW DOMEL  
FAN UNITS



**GD 930S2 DOUBLE INSULATED**

FOR THE NEW DOMEL  
FAN UNITS



---

| Pos. | Artikel-Nr. | Menge | Variante | Notes |
|------|-------------|-------|----------|-------|
|------|-------------|-------|----------|-------|

