



07351-5758060

kontakt@nilfisk-alto-shop.com



Preisabfrage bzw. Bestellungen der Artikel im Shop unter

www.nilfisk-alto-shop.com

einfach die Artikelnummer in die Suchmaske eingeben

(Bitte die Artikelnummer ohne Leerzeichen eingeben)

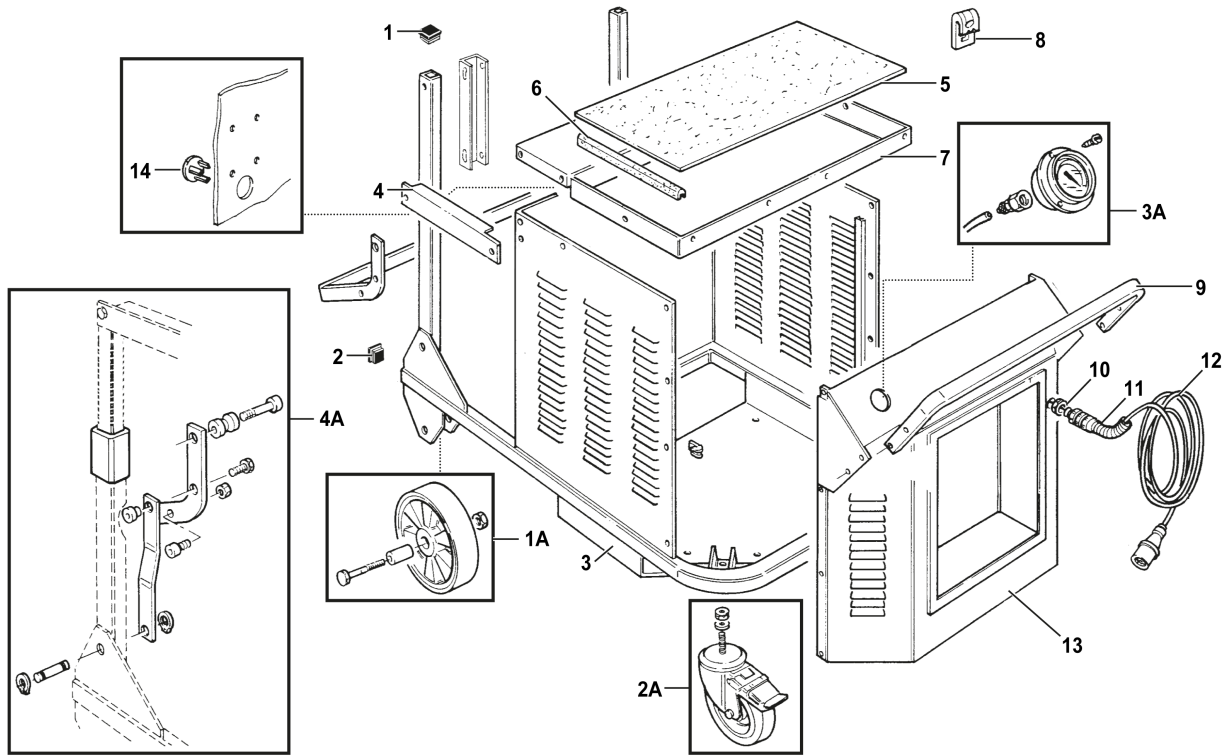
PARTS LIST



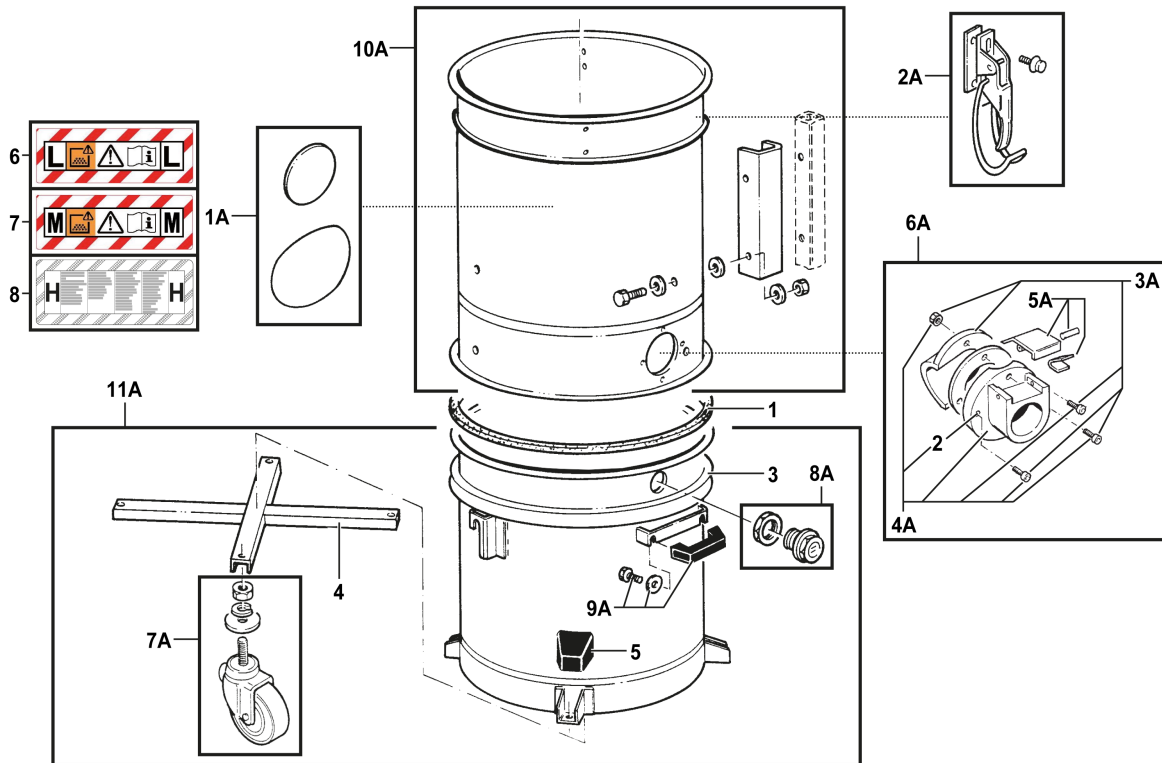
2020.11.16

TABLE OF CONTENTS

L13 - 1 - FRAME.....	1
L13 - 2 - CONTAINER UNIT.....	3
L13 - 3 - CONTAINER UNIT.....	5
L13 - 4 - FILTER GROUP.....	7
L13 - 5 - ABSOLUTE FILTER.....	9
L13 - 6 - ABSOLUTE FILTER.....	11
L13 - 7 - COVER.....	13
L13 - 8 - SHAKER UNIT.....	15
L13 - 9 - FILTER GROUP.....	17
L13 - 10 - 3707 SUCTION UNIT.....	19
L13 - 11 - 3707/10 SUCTION UNIT.....	21
L13 - 12 - CYCLON KIT.....	23



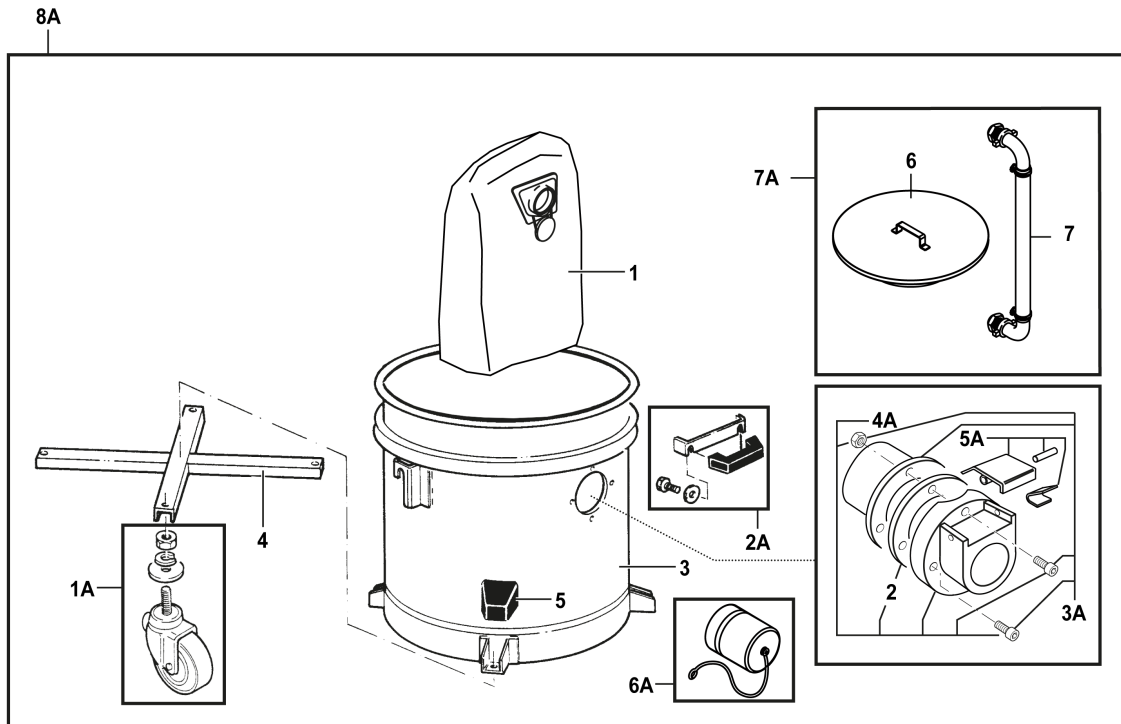
Pos.	Artikel-Nr.	Menge	Variante	Notes
1	8 40035	2	PLUG	
2	8 40036	2	PLUG	
3	8 36063	1	CAR	
4	8 18157	2	SPACER	
5	8 17105	1	BELT	
6	8 17230	1	SEAL	
7	8 16056	1	TANK	
8	8 40037	20	NUT	
9	8 18147	1	HANDGRIP	
10	8 39569	1	RING NUT	
11	8 39099	1	CABLE PRESS	
12	8 39026	1	CABLE	
12	4083901291	1	Kabel Stecker 5 PP	
13	8 35083	1	CONNECTION	
14	8 39532	1	PLUG	
1A	40000574	2	Rad starr D200	
2A	40000575	2	Lenkrollenkit (Satz)	
3A	40000554	1	Druckanzeige 4500	
3A	40000569	1	Manometer f. 3707	
4A	40000576	1	KIT RELEASE LEVER	



Pos.	Artikel-Nr.	Menge	Variante	Notes
1	4081701229	1,8	Dichtband 25 x 15 T140 CR	
2	8 17056	1	GASKET FOR INLET 100MM	
3	8 30025	1	CONTAINER	
3	8 30117	1	SS CONTAINER	
4	8 36109	1	REINFORCEMENT	
5	8 17021	4	BUMPER	
6	8 17550	1	LC LABEL	
7	8 17551	1	MC LABEL	
1A	40000580	1	KIT LABELS MOD.3707	
1A	40000608	1	KIT LABELS	
1A	40000613	1	KIT LABELS	[1]
2A	40000321	4	Deckelverschlußkit	
3A	40000582	1	Deflektorkit D100	
4A	40000581	1	Kesselanschluss	
5A	40000345	1	KIT PUSHBUTTON FOR INLET D70	
6A	40000583	1	Kesselanschluß kpl. D100	
7A	40000577	4	Radkit f. Container	
8A	40000579	1	LEVEL GAUGE KIT	
9A	40000339	2	Griff-Kit FE	
10A	40000578	1	Filterzwischenteil	
11A	8 30090	4	CONTAINER COMPLETE	
11A	8 30090	4	CONTAINER COMPLETE	

Part Notes:

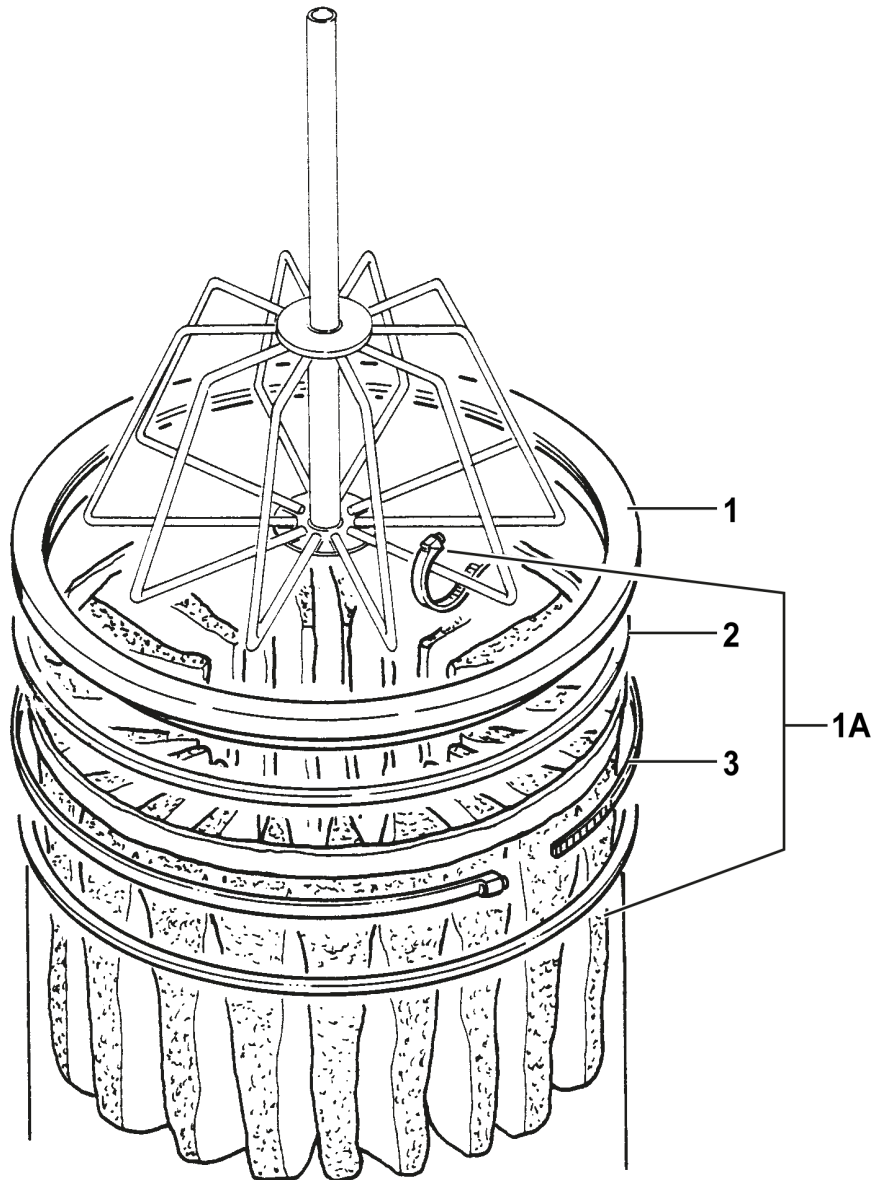
[1] - CONTACT PM IN ZOCCA



Pos.	Artikel-Nr.	Menge	Variante	Notes
1	8 40832	1	DUST SAFE BAG SYSTEM	
2	8 17006	1	SEAL	
3	4083000402	1	CONT.D560 L175 X ATT.SAC.CARTA RICAIVATO	
4	8 36109	1	REINFORCEMENT	
5	8 17021	4	BUMPER	
6	8 31231	1	CONTAINER GRID	
7	5 60228	1	TUBE LEVER CHECK	
1A	40000577	4	Radkit f. Container	
2A	40000339	2	Griff-Kit FE	
3A	40000852	1	DEFLECTOR FOR PAPER BAG KIT	
4A	8 13002	1	ALUMINIUM INLET	
5A	8 32544	1	KIT PUSH BUTTON FOR INLET D100	
6A	7 21070	1	COMPLETE PLUG D70	
6A	7 21063	1	STOPPER D100"BIA"	
7A	5 60039	1	GRILL AND PIPE D560	
8A	4056000409	4	Entsorgungssystem 3707 - 3707/10	[1]

Part Notes:

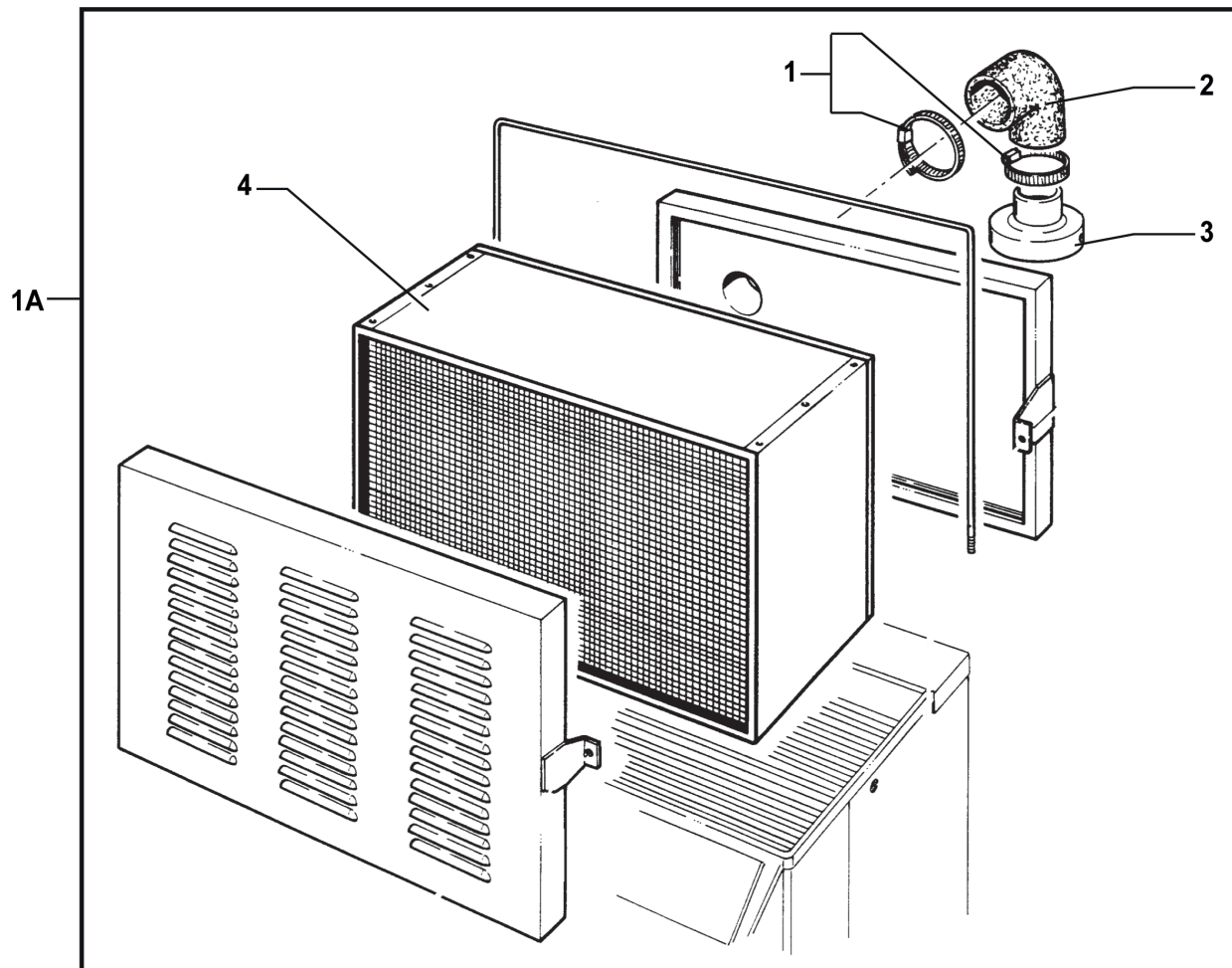
[1] - CONTACT PM IN ZOCCA



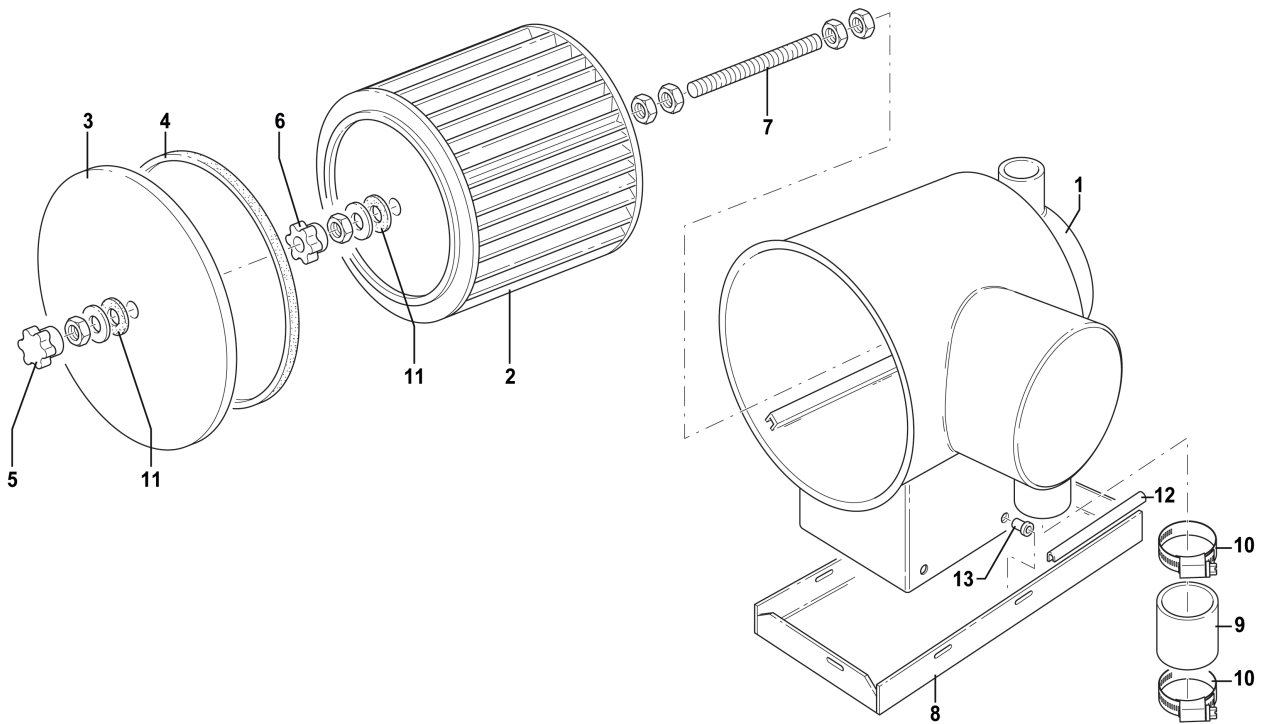
Pos.	Artikel-Nr.	Menge	Variante	Notes
1	8 17027	1		
2	8 15005	1		
3	8 18081	1		
1A	40000584	1	Sternfilter Ø560mm Polyester	
1A	32400902	1	FILTER.NOMEX KIT IV055 /075/110	[1]
1A	40000755	1	Sternfilter Ø560mm Polyester Polyurethan	

Part Notes:

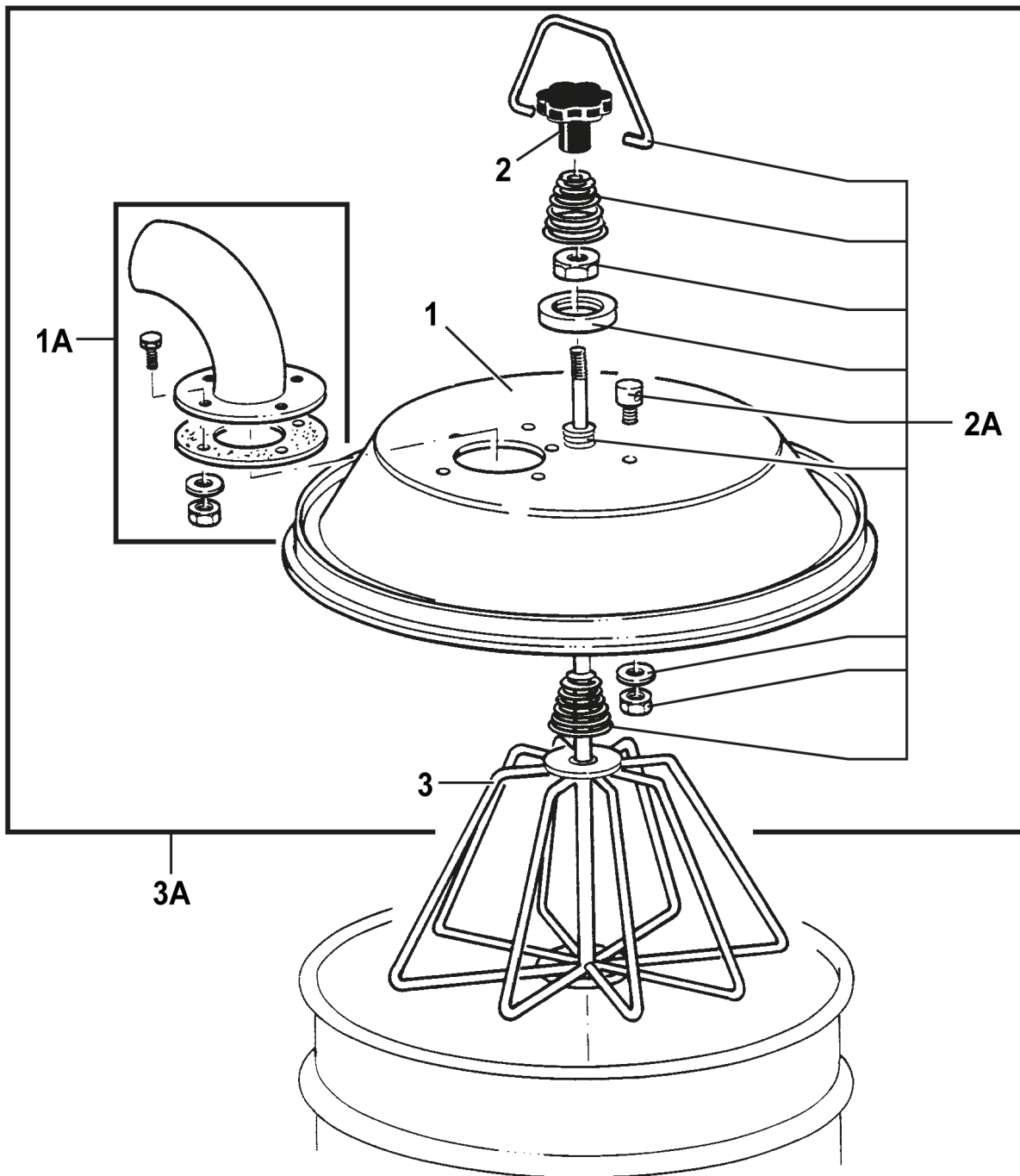
[1] - CONTACT PM IN ZOCCA



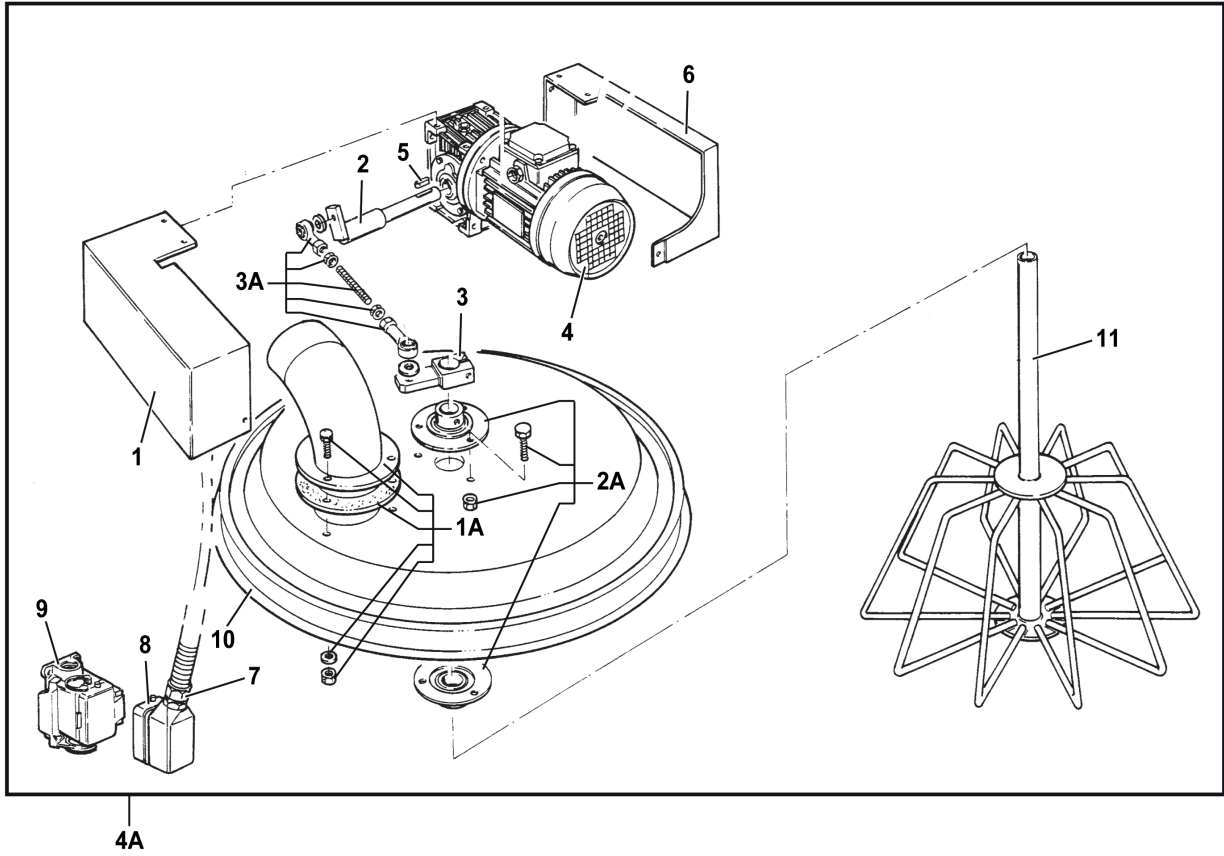
Pos.	Artikel-Nr.	Menge	Variante	Notes
1	8 40044	2	CLAMP	
2	4072400259	0,5	Saugschlauch Polyurethan D100mm L1000mm	
3	8 13115	1	COVER	
4	8 17093	1	ABSOLUTE FILTER	
1A	5 60069	1	HEPA FILTER EXHAUST KIT	

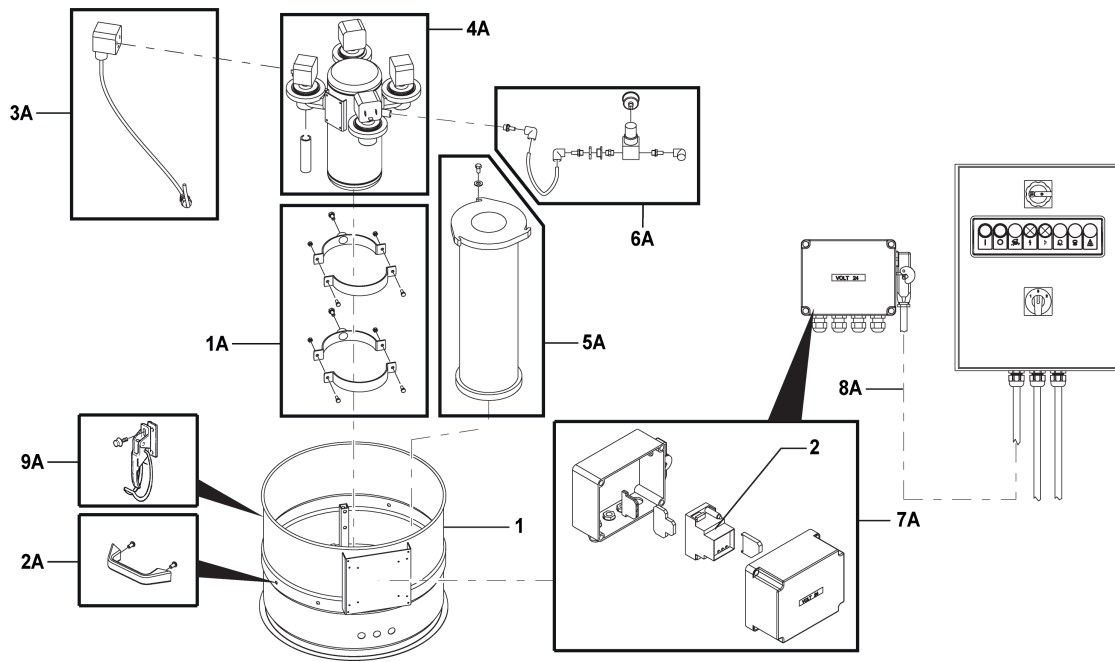


Pos.	Artikel-Nr.	Menge	Variante	Notes
1	8 30193	1	CONTAINER	
2	8 17264	1	FILTER	
3	8 12145	1	COVER	
4	8 17231	mt. 1,5	SEAL	
5	8 40576	1	KNOB	
6	8 40030	1	ADJUSTING KNOB	
7	8 38046	1	THREADED BAR	
8	8 18843	1	BASE	
9	7 24118	mt. 0,2	ANTISTATIC POLY HOSE 100M	
10	8 40044	2	CLAMP	
11	8 38053	2	WASHER	
12	8 17230	mt. 0,9	SEAL	
13	8 38036	4	RIVER	



Pos.	Artikel-Nr.	Menge	Variante	Notes
1	8 31229	1		
2	8 40027	1	KNOB	
3	8 33073	1		
1A	40000585	1	KIT CAP COUPLING D100 FL150	
2A	40000313	1	Gestängekit f. Filter-	
3A	8 31230	1		

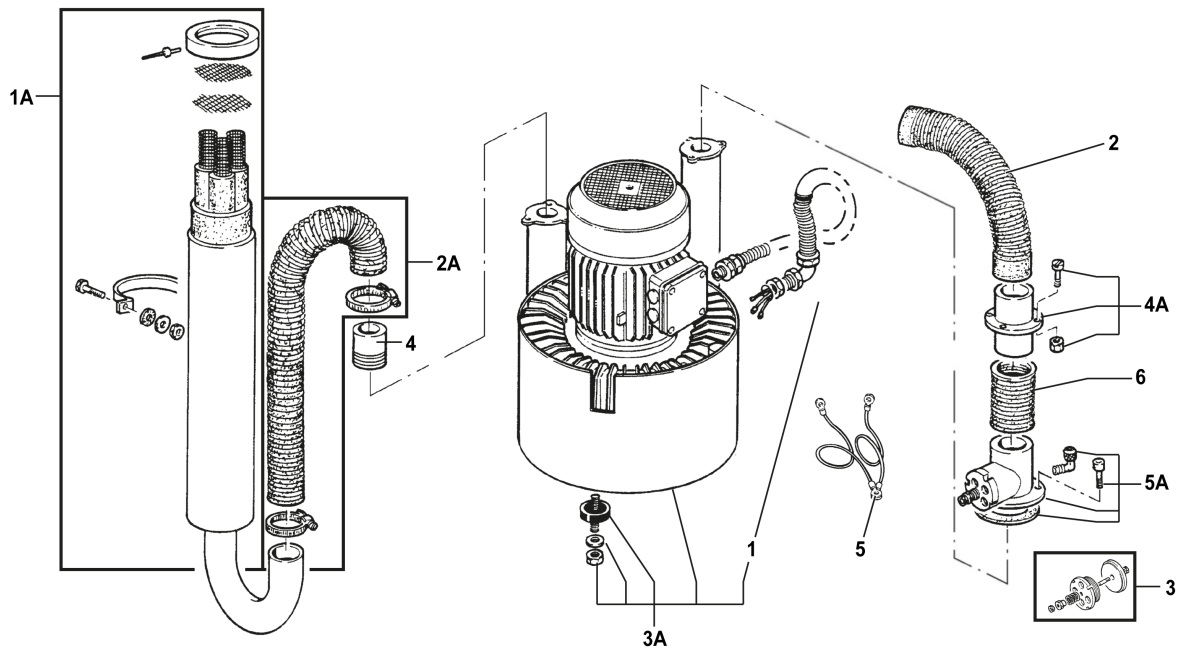




Pos.	Artikel-Nr.	Menge	Variante	Notes
1	8 31086	1	CONTAINER	
1	8 31238	1	SS CONTAINER	
2	8 391107	1	TIMER	
1A	4089101034	2	D160 COLLAR TANK KIT	
2A	40000339	2	Griff-Kit FE	
3A	4089101035	4	CABLE KIT WITH CONNECTOR FOR TANK D560	
4A	4089101036	1	AIR TANK KIT D560	
5A	4089100114	4	Patronen-Kit	
6A	4089100121	3	AIR FITTING KIT	
7A	8 41039	1	SWITCH FOR CONVERSION KIT	
8A	4089100128	1	POWER CABLE KIT FOR PULSE JET SYSTEM	[1]
9A	40000321	4	Deckelverschlußkit	
9A	40000322	2	Deckel Verschluss KitINOX	

Part Notes:

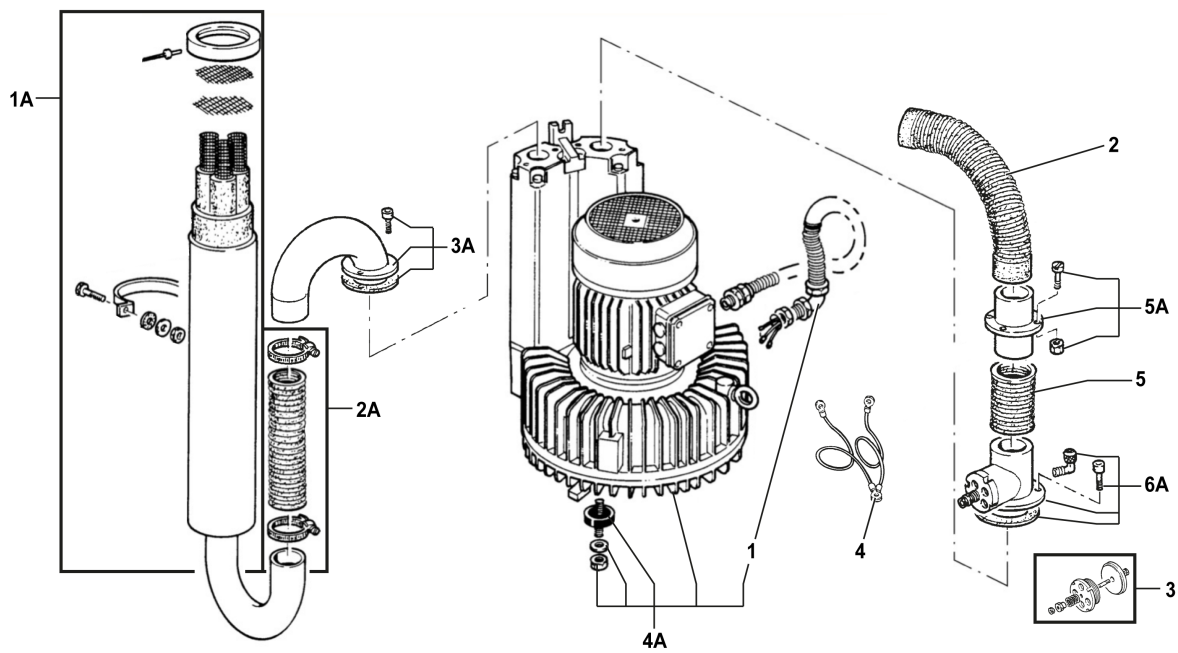
[1] - CONTACT PM IN ZOCCA



Pos.	Artikel-Nr.	Menge	Variante	Notes
1	8 39127	1	3707 CABLE	
1	8 39122	1	3907CABLE	
2	8 13156	1	EXTERNAL CONNECTION PIPE	
3	8 34024	1	RELIEF VALVE	
4	8 32318	1	BLOWING CONNECTION	
5	8 39590	1	EARTH CABLE	
6	7 24079	0,5	TUBE	
1A	40000586	1	Schalldämpfer	
2A	32400342	1	HOSE.FOR SUCTION KIT IV022/040	[1]
3A	4089100757	1	SUCTION UNIT KIT 3707	
3A	40000606	1	Absaugeinheit	
4A	40000602	1	Flansch D100-100	
5A	40000607	1	KIT SUCTION CONNECTION D100	

Part Notes:

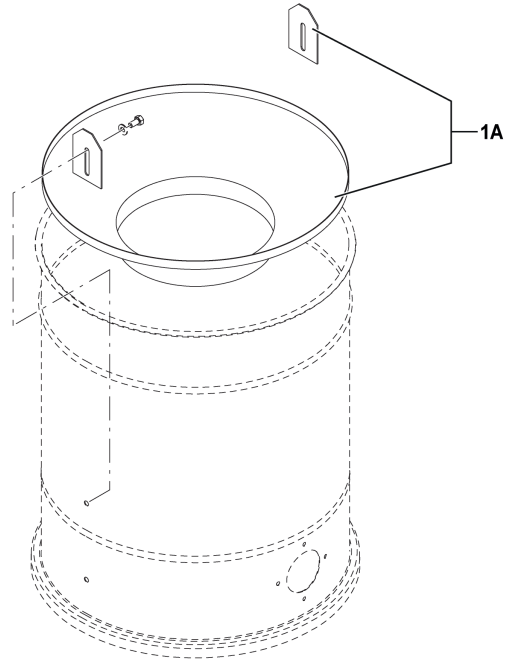
[1] - CONTACT PM IN ZOCCA



Pos.	Artikel-Nr.	Menge	Variante	Notes
1	8 39127	1	CABLE	
2	8 13156	1	EXTERNAL CONNECTION PIPE	
3	8 34025	1	RELIEF VALVE	
4	8 39590	1	EARTH CABLE	
5	7 24079	0,15	3707 TUBE	
5	32400453	0,6	HOSE D.100 FOR BLOWING	[1]
1A	40000586	1	Schalldämpfer	
2A	40000587	2	KIT BLOWING TUBE	
3A	40000599	1	KIT BLOWING CONNECTION D70	
4A	40000600	1	Verdichter 3707	
4A	40000610	1	Absaugereinheit	
4A	40000614	1	Saugereinheit	
5A	40000602	1	Flansch D100-100	
6A	40000601	1	Sauganschluß Kit	
6A	40000611	1	KIT BLOWING CONNECTION D100	

Part Notes:

[1] - CONTACT PM IN ZOCCA



Pos.	Artikel-Nr.	Menge	Variante	Notes
1A	5 60110	1	REFER 5 60032	

