

# PARTS LIST

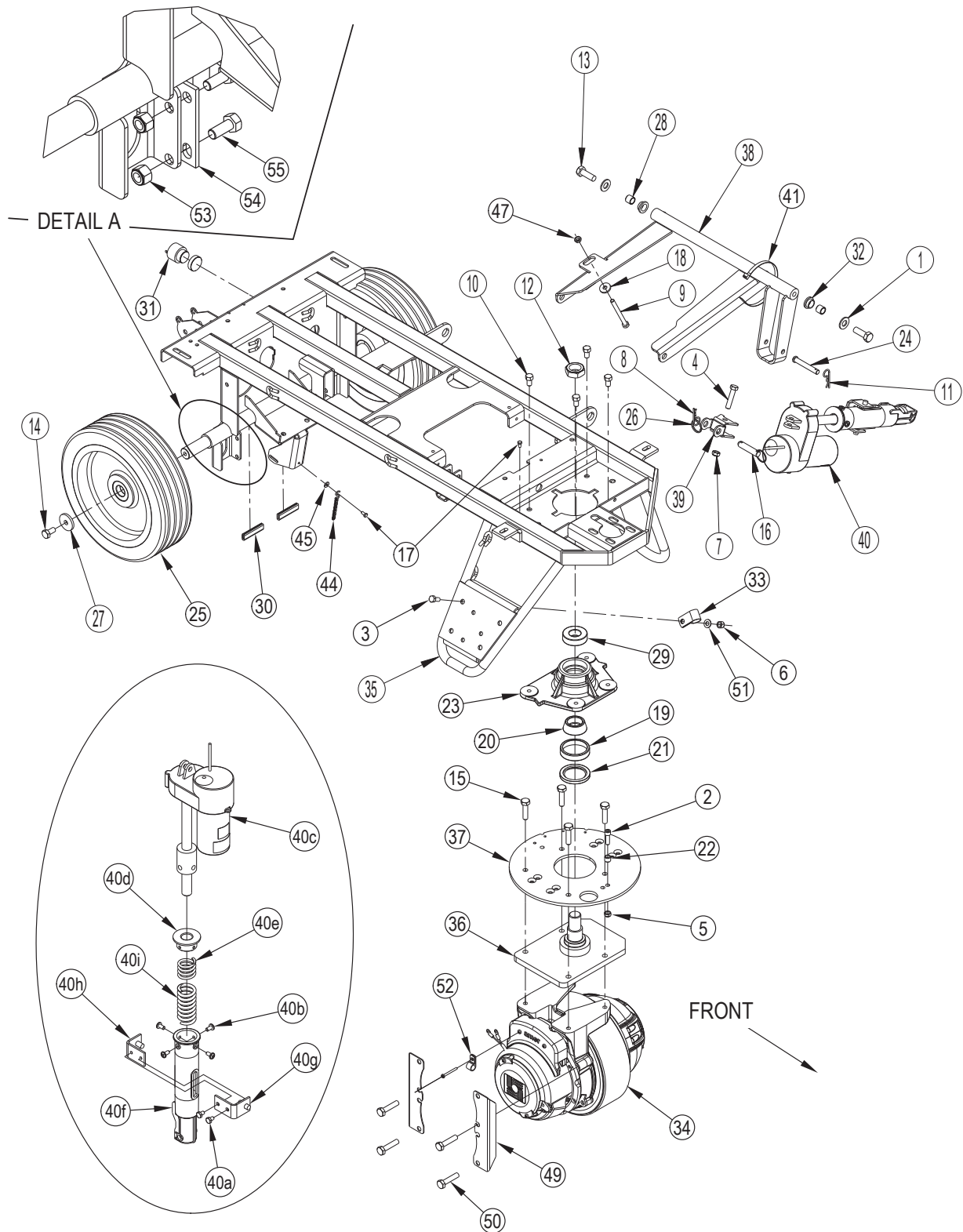


2020.10.20

# TABLE OF CONTENTS

---

Chassis system .....	1
Control system .....	4
Decal system .....	6
Electrical system .....	8
Recovery system .....	11
Scrub system-cylindrical .....	13
Scrub system-cylindrical-skirt assemblies .....	15
Scrub system-BR 755 disk .....	17
Scrub system-BR 855 disk .....	20
Scrub system-disk-skirt assemblies .....	23
Solution system .....	25
Squeegee system .....	27
Squeegee assembly - BR 755 .....	29
Squeegee assembly - BR 855 .....	31
Wiring diagram .....	33
Optional kits and accessories .....	35
Brush selector guide-disk .....	38
Brush selector guide-cylindrical .....	40
Recommended spare parts .....	42
56314312/56422162 - Seat Belt Kit .....	44
56314981/56601527 - Battery Watering Kit, fig. 1 .....	46
56314981/56601527 - Battery Watering Kit, fig. 2 .....	48
56382635 - Squeegee spring kit .....	50
56601080 - On Board Charger Kit EU .....	52
56601082 - EDS Onboard Chemical Kit .....	54
56601085 - Beacon Kit .....	56
56601087 - Vacuum Wand Kit .....	58
56601090 - Dual Vac Kit .....	60
56601700 - BR 755 Disk Deck Assy Kit .....	62
56601701 - BR 855 Disk Deck Assy Kit .....	64
56601756 - BR755 Cylindrical Deck Assy Kit .....	66
56601082 - ECOFLEX CHEMICAL KIT .....	68

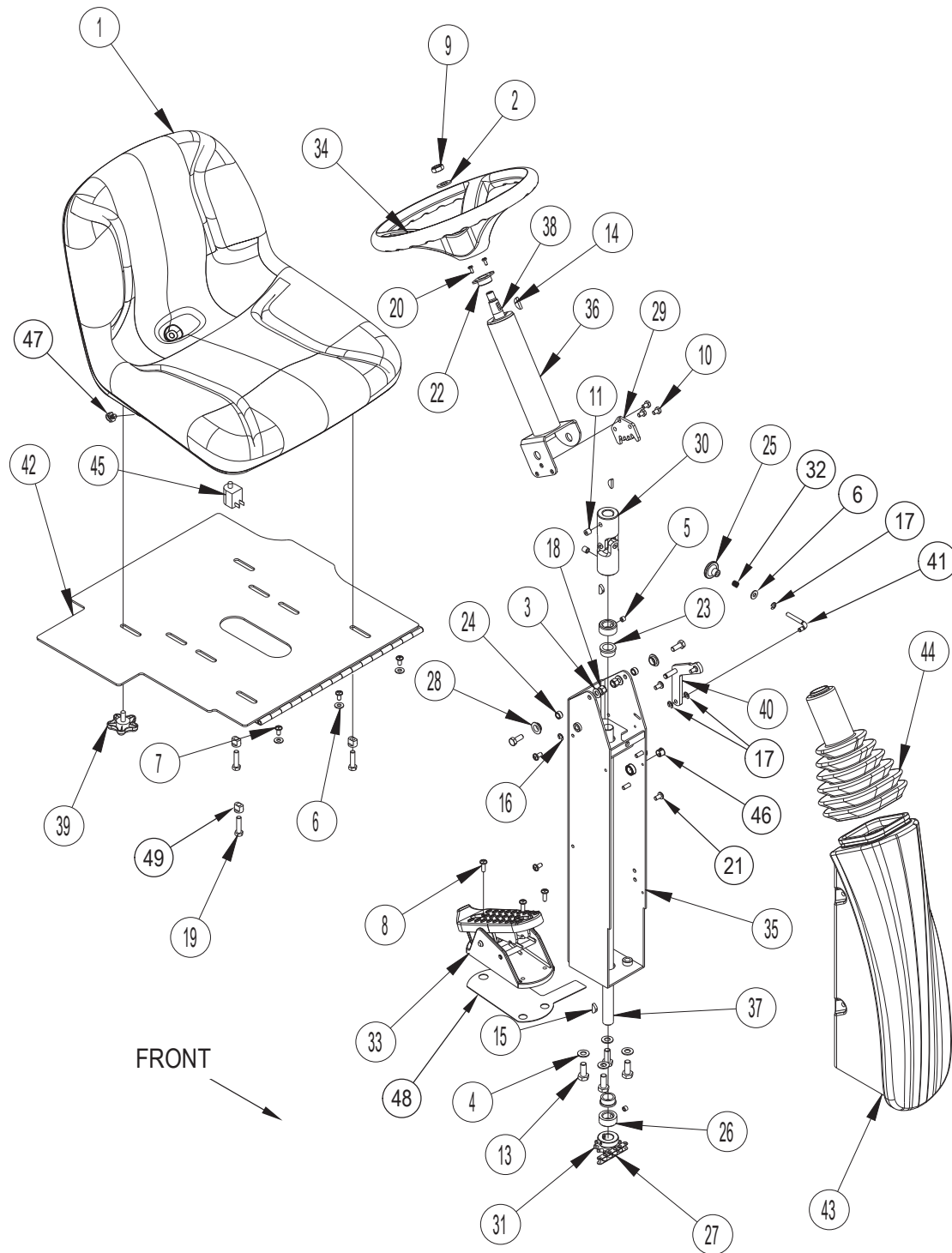


Pos.	Artikel-Nr.	Menge	Variante	Notes
1	56001879	2	U-SCHEIBEN	
2	56002129	1	SCR-SOC HD 5/16-18 X 1.00	
3	56002667	1	Schraube 5/16-18 X.75	
4	56002684	1	SCR HEX HD 3/8-16x1,75	
5	56002826	1	NUT HEX NYLOC THIN 5/16-1	
6	56002701	1	MUTTER 5-16-18 HEX JAM	
7	56002841	1	NUT HEX NYL LOC-THIN 3/8	
8	56002959	1	Splint zu BA 500	
9	56003008	1	Schraube THD TO HD	
10	56003040	4	Schraube HEX LOC3/8-16*62	
11	56003120	1	Vorstecker	
12	56003220	1	Schraube	
13	56003412	2	Schraube M12 1.75 x 35mm	
14	56003442	2	SCR HEX LOC M10-1.50X20MM	
15	56003491	4	Schraube HEX M10-1.5	
16	56003679	1	Stift	
17	56009012	2	Schraube 10-24 x 3/8Siehe 56009039	
18	56009122	1	Unterlegscheibe	
19	56158143	1	Lagerschale	
20	56158151	1	Kegelrollenlager	
21	56171081	1	Simmenring	
22	56244941	1	BUSHING .31X.50X.40FC428E	
23	56314032	1	Lagerblock	
24	56003803	1	Splint	
25	56382693	2	Rad	[1]
26	56317071	1	RING	
27	56367117	2	Scheibe Stahl	
28	56367206	2	BUCHSE	
29	56378380	1	Kugellager 0.9843	
30	56412122	2	Kantenschutz	
31	56412177	1	Horn RückfahralarmBR 1100S	
32	56420160	2	Hülse BR 800	
33	56469380	1	Kabelklammer	
34	56601050	1	MOTOR DRIVE WHEEL	
	56601472	1	Rad m. Nabe	
	56601473	1	Motor	
	56601509	1	Kohlebürstenkit	
	56601471	1	Rad	
	56601507	1	PARKING BRAKE	
	56422174	1	TIRE PULLER KIT	
	56504482	1	COVER DRIVE MOTOR	
	56504481	1	Gehäuse für Getriebe	
	56380310	1	KIT BRAKE LEVER	
35	56114199	1	CHASSIS WELDMENT	
36	56601077	1	SPINDLE WELDT	
37	56314116	1	Platte f. Steuerung	
38	56601239	1	Gestänge	
39	56601328	1	YOKE ACTUATOR	
40	56601432	1	LIFT ACTUATOR ASSEMBLY	
40a	56009019	2	Schraube 1/4-20x.38	
40b	56009062	4	Schraube	
40c	56393303	1	Antrieb	
40d	56396268	1	Führung f. Feder	
40e	56412071	1	Druckfeder	
40f	56412262	1	Federgehäuse BA750/850	
40g	56420019	1	Mutter arretierung	
40h	56420020	1	Mutter arretierung	
40i	56601470	1	COMPRESSION SPRING	
41	56477613	1	Kabelbändli 7x380mm	

Pos.	Artikel-Nr.	Menge	Variante	Notes
44	56601716	1	GROUND CHAIN	
45	56009011	1	WSH, INT SHPRF	
47	56009086	1	NUT, HEX JAM 5/16-18	
49	56344100	2	BRACKET WHEEL	
50	56003445	4	SCR HEX NYL LOC M10-1.50X45MM	
51	56002220	1	WSH FLT CUT 5/16	
52	56486112	1	Kabelklammer	
53	56002856	2	"Mutter Nylon LOC 5/16""	[2]
54	56601675	1	BRACKET	[2]
55	56003925	2	SCR-HEX LOC SS 5/16-18 X .75	[2]

## Part Notes:

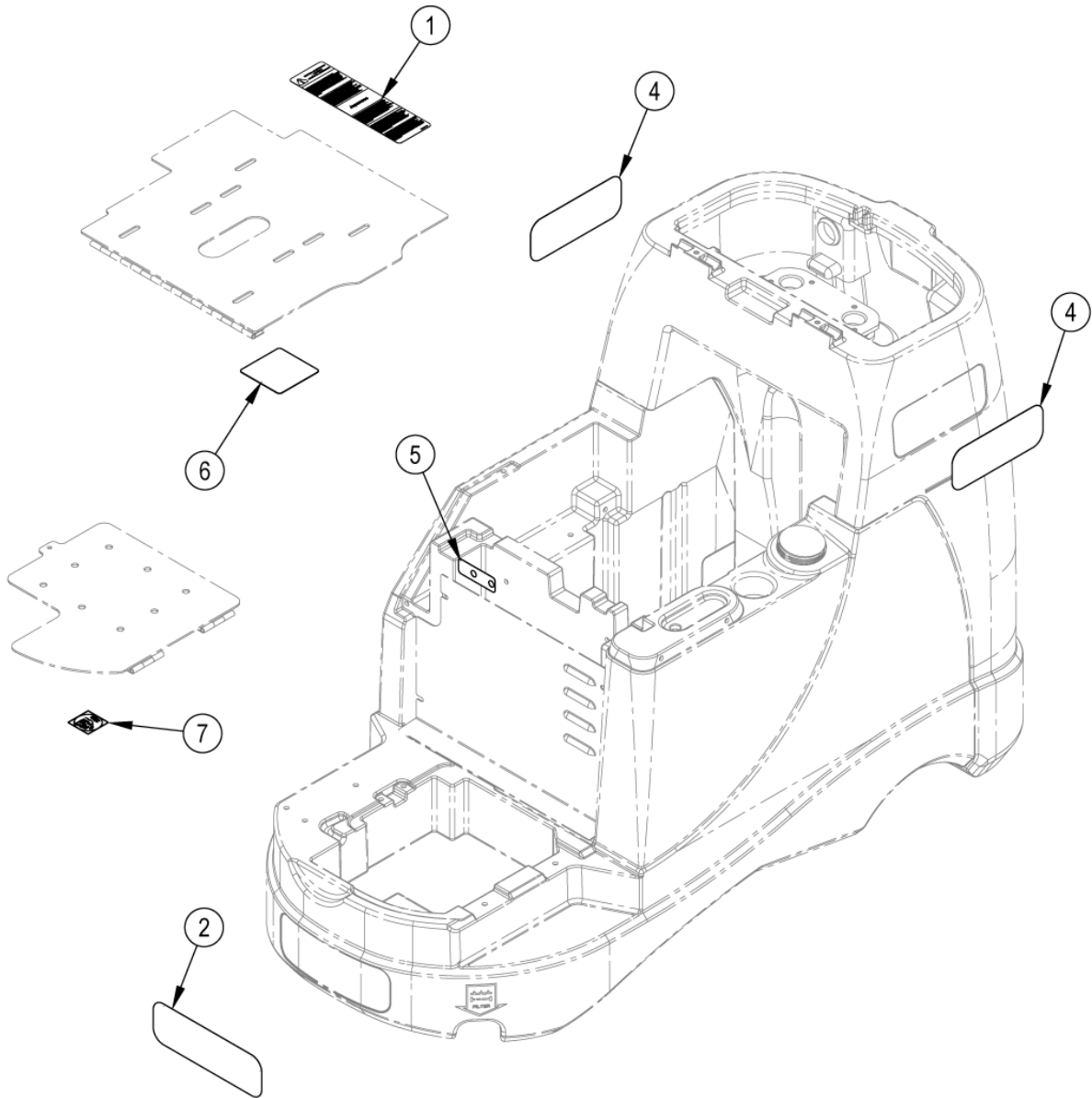
- [1] - TSB-FC-2015-033 Various machines rear wheel hub cracking
- TSB-FC-2017-059 Squeegee stop bracketsand DE TSB-FC-2017-059 BR755 855 Scrubtec R6 Saugfuß Endanschlag
- [2] - TSB-FC-2017-059 Squeegee stop brackets
- DE TSB-FC-2017-059 BR755 855 Scrubtec R6 Saugfuß Endanschlag



Pos.	Artikel-Nr.	Menge	Variante	Notes
1	56394342	1	SEAT-MID BACK-11.25IN MOUNT	[1]
2	56001879	1	U-SCHEIBEN	
3	56001939	2	Flachdichtung 5/16	
4	56002063	4	"U-Scheibe 3/8""	
5	56002086	2	Madenschraube	
6	56002859	4	Mutter SS 1/4	[2]
7	56003119	3	SCR PAN PHIL SS 1/4 20 X .50.	[2]
8	56002957	3	Schraube SS 1/4 - 20 X	
9	56002843	1	NUT HEX NYL LOC-THIN1/2-1	
10	56002933	3	LOC SCREW 1/4-20 X 3/8	
11	56003081	2	Madenschraube 3/8 x 16	
12	56003179	2	Schraube HEX THD/HD M8-1,	
13	56003186	4	Schrauben	
14	56003227	1	KEY / Paßfeder	
15	56003228	3	KEY, WDF 606	
16	56003261	1	Ring	
17	56003268	3	Ring	
18	56003389	2	MutterHEX NYL LOC M8-1.25	
19	56001834	3	Schraube 5/16-18 x 1,25	[2]
20	56002523	2	SCR PAN HD PHIL HP5 8-32 X .38	
21	56009062	4	Schraube	
22	56100393	1	Büchse BR 1100	
23	56250414	2	Bearing Flange/Lager	
24	56320595	2	BUECHSE	
25	56362778	1	KNOB 1.25X1/4-28 CA29M	
26	56367095	2	Ring zu 5015B	
27	56412198	1	Lenkkette	
28	56413211	2	Lagerflansche	
29	56413658	1	Verzahnung	
30	56454081	1	Kreuzgelenk zu 5015B	
31	56471148	1	Zahnrad	
32	56578222	1	SPRING COM.36X.875 E00453	
33	56385084	1	Fahrpedal komplett	[3]
34	56601060	1	STEERING WHEEL	
35	56601850	1	LOWER COLUMN WELDT	
36	56601169	1	Lenksäule	
37	56601223	1	SHAFT LOWER STEERING	
38	56601224	1	SHAFT UPPER STEERING	
39	56601271	1	KNOB 5/16 STUD	
40	56601284	1	STEERING PAWL WELDMENT	
41	56601292	1	Schwenkhebel	
42	56601362	1	SEAT PANEL WELDMENT	
43	56601484	1	Abdeckung	
44	56601500	1	BOOT STEERING	
45	7-82-00050	1	Sitzschalter BR 1300 S	
46	56601683	1	PLUG-CAP	
47	56315382	1	CLIP CONDUIT	
48	56601601	1	FOOT PEDAL PLATE	
49	56383230	3	FLANGED BUSHING SEAT	
			Service Kits	
K1	56114304	1	HARDWARE KIT-SEAT	

## Part Notes:

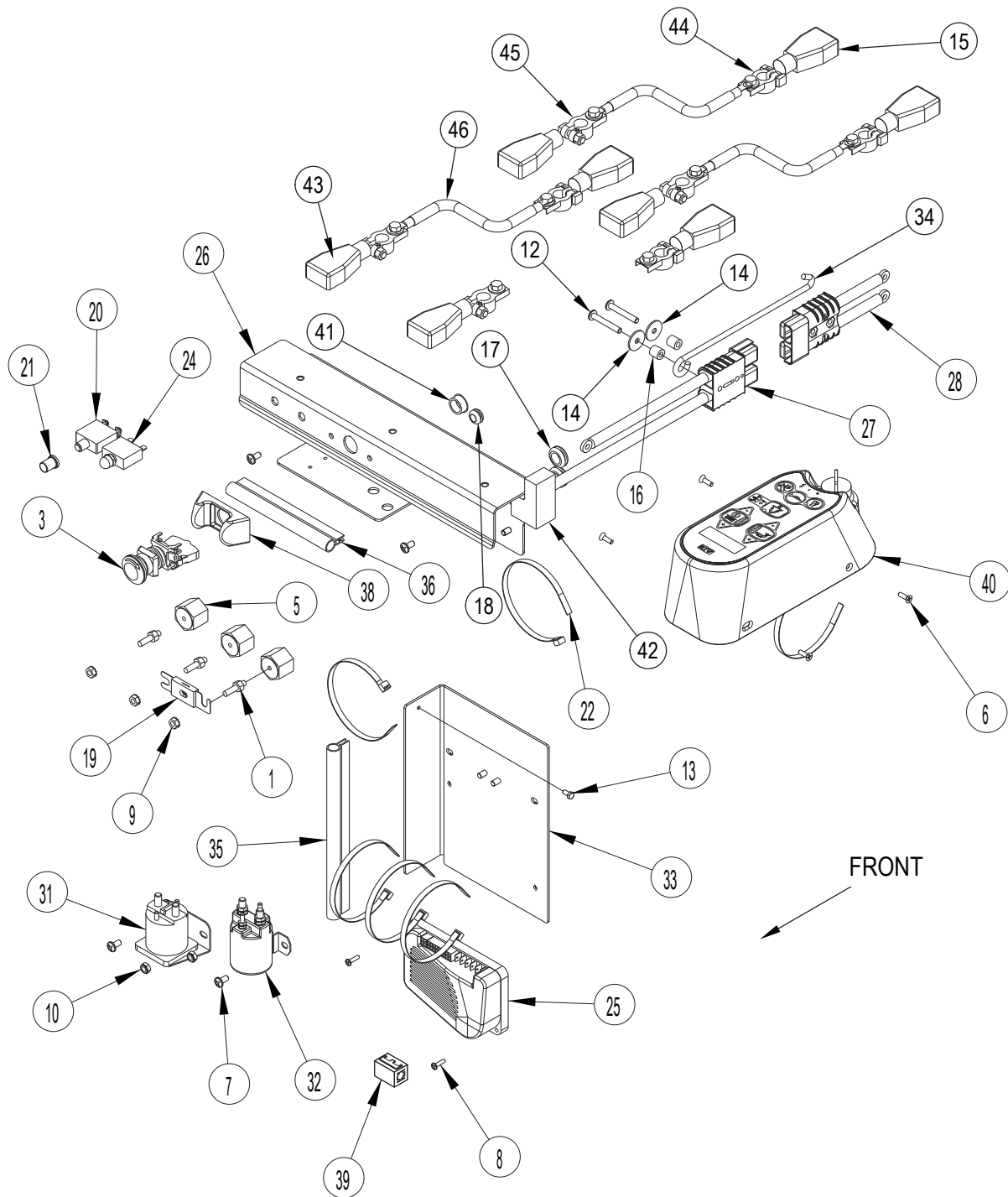
- [1] - Seat 8-69-00022 (steel seat pan) has been replaced by Seat 56394342 (plastic seat pan) in production. Please order Seat Kit 56383240 when replacing Seat 8-69-00022.
- [2] - K1
- [3] - K1  
TSB-FC-2017-053 Abnormal acceleration or decelerationand DE TSB-FC-2017-053 neues Fahrpedal mit Justierscheibe





---

<b>Pos.</b>	<b>Artikel-Nr.</b>	<b>Menge</b>	<b>Variante</b>	<b>Notes</b>
01	56014601	1	DECAL, CAUTION	
02	56016731	1	Aufkleber Nilfisk	
04	56601303	2	Aufkleber BR 755	
04	56601305	2	DECAL BR855	
05	56601414	1	DECAL CIRCUIT BREAKER	
06	56601416	1	DECAL BATTERY WIRING	
07	56380254	1	DECAL OPEN WHEN CHARGING	



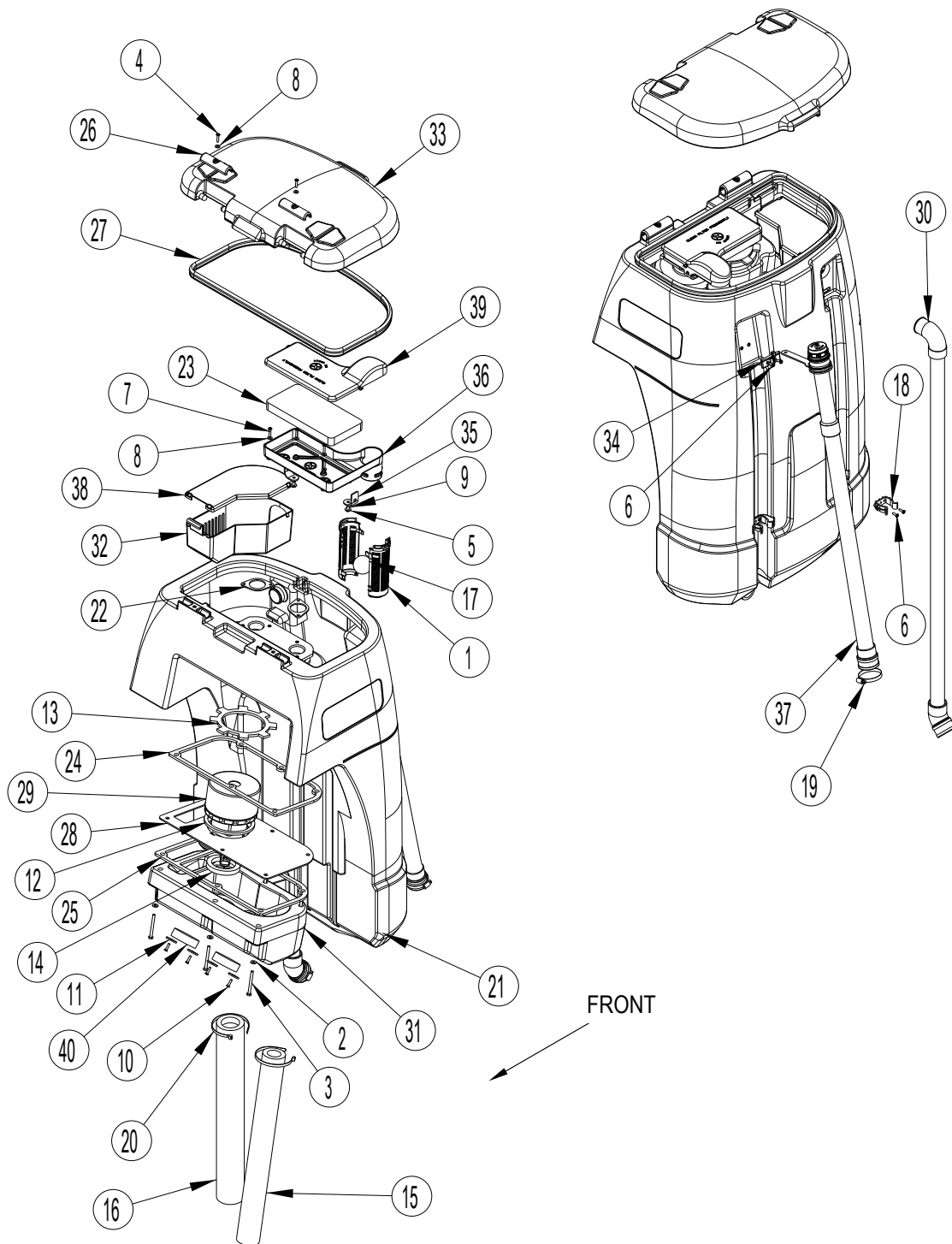
Pos.	Artikel-Nr.	Menge	Variante	Notes
1	83302A	3	Bolzen 1/4-20	
3	56407130	1	Schalter(Notunterbrecher)	[1]
5	56469858	3	INSULATED STANDOFF	
6	56003056	4	SCR FLT PHIL SS 10-24X.62	
7	56002828	4	SCR PAN PHIL LOC 1/4-20 X .6	[2]
8	56002146	2	SCR PAN PHIL 8-32 X .62	
9	56002561	3	NUT HEX W/SHRPF 1/4/20	
10	56002840	2	Nut 1/4 20	
12	56002997	2	Schraube	
13	56009012	1	Schraube 10-24 x 3/8Siehe 56009039	
14	56009060	2	SCHEIBE-U	
15	2-00-05173	4	BAT TERMINAL COVER BLK	
16	56046309	2	U-Scheibe	
17	56157376	2	GROMMET 1 OD X 9/16 ID X 5/	
18	56321540	1	GROMMET .500 HC42D	
19	56412089	1	FUSE 150 AMP	[3]
20	56454429	1	CIRCUIT BREAKER 70A	[4]
21	56459369	1	Abdeckung Rückstellknopf5015	
22	56477613	9	Kabelbändli 7x380mm	
24	56507644	1	CIRCUIT BREAKER 10 AMP	[5]
25	56601061	1	SPEED CONTROL	[6]
26	56601854	1	PANEL	
27	56601171	1	Batteriestecker	
28	56601172	1	Stecker ASM	
29	56601174	1	HARNESS MAIN	[7]
30	56344205	1	HARNESS-TRACTION	[7]
31	56601183	1	CONTACTOR 24V 100 AMP	[8]
32	56412179	1	CONTACTOR 24 VDC	[9]
33	56601185	1	PANEL	
34	56601215	1	PROP ROD SEAT	
35	56601251	1	GASKET	
36	56601252	1	GASKET	
37	56601431	1	CABLE ASSEMBLY	[7]
38	56601434	1	Abdeckung f.	
39	40849A	1	SUPPRESSOR EMI SPLIT	
40	56384462	1	INTERFACE PANEL ASSY	[10]
	56601096	1	Bedienfeld - Kit	[11]
	56303553	1	KEY SWITCH ASSEMBLY	[12]
	56303526	1	Schlüssel. 2Stk.	[13]
41	56900144	1	PLUG CAP E00046	
42	56601600	1	FOAM INSERT	
43	2-00-05171	4	BAT TERMINAL COVER RED	
44	9100000883	4	CLAMP BATTERY MINUS 2 PCS SET	
45	9100000882	4	CLAMP BATTERY PLUS 2 PCS SET	
46	56409485	3	CABLE ASSY.1 X 15.00	

## Part Notes:

- [1] - S4
- [2] - GUARANTEE DATE EXPIRED
- [3] - F1
- [4] - CB1
- [5] - CB2
- [6] - A2
- [7] - NOT SHOWN
- [8] - K1
- [9] - K2
- [10] - A1
- [11] - Membrane Switch, Interface Panel - NOT SHOWN
- [12] - S1 - NOT SHOWN

[13] - NOT SHOWN

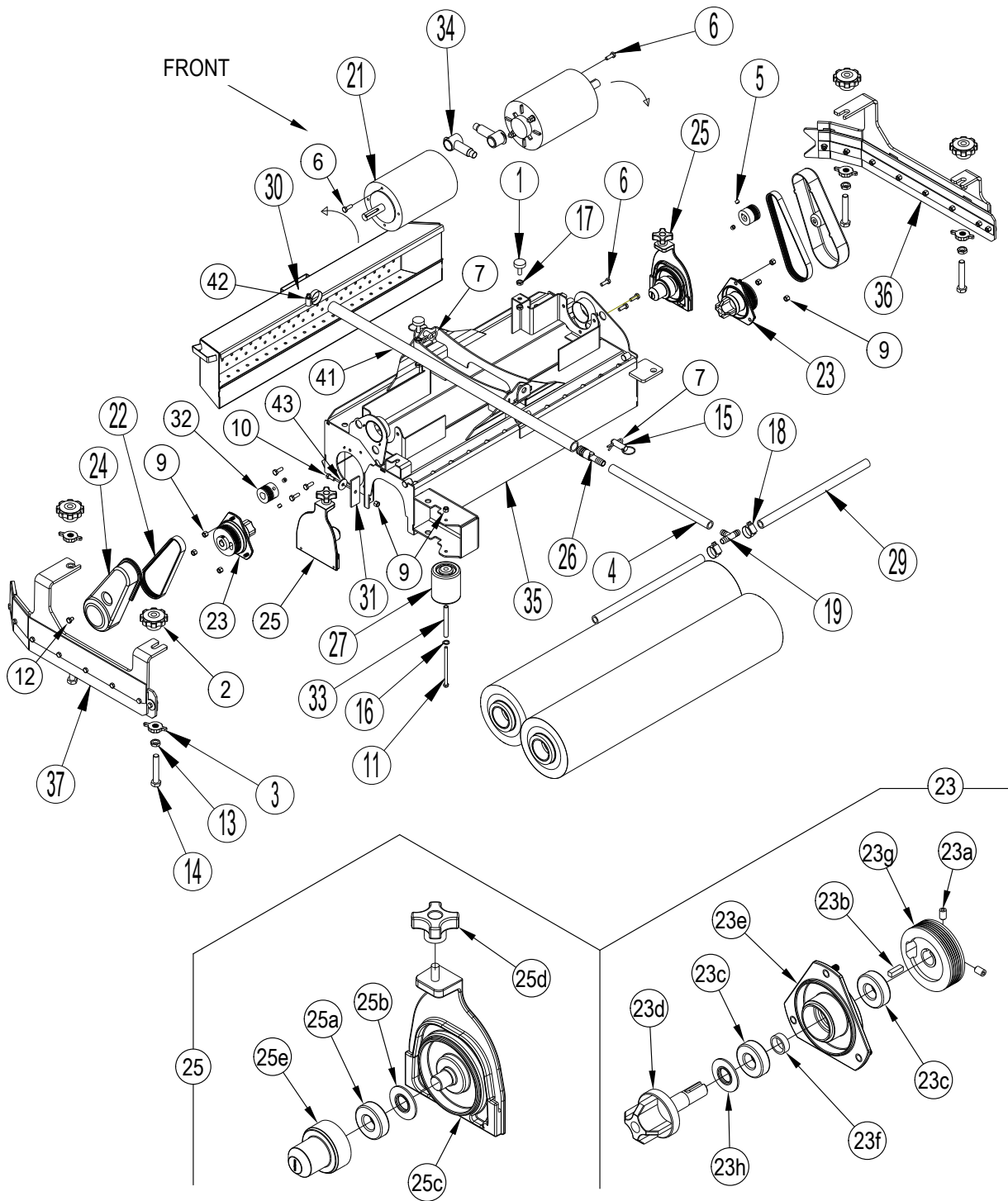
for 56303553



Pos.	Artikel-Nr.	Menge	Variante	Notes
1	56324497	2	Schwimmergitter zu BA 700	
2	56002098	6	Scheibe	
3	56003867	6	SCR-HEX LOC 1/4-20 X 3.00	
4	56003951	2	SCR-PAN PHIL LOC SS 10-24X .88	
5	56002859	2	Mutter SS 1/4	
6	56002896	6	Schraube SS10-24X0	
7	56002894	4	SCR PAN PHIL SS 10-24 X .75	
8	56002916	6	WSH FLT SAE SS #10	
9	56003799	2	PLASTITE 1/4-10 x 1/2	
10	56009005	4	Schraube 16x.75	
11	56003817	4	WSH-FLT SS .281 x 1.25 x .05	
12	56212143	1	GASKET VACUUM DUCT	
13	56264103	1	GASKET VAC MOTOR	
14	56314760	1	Dichtung	
15	56315375	1	Geräuschdämmung	
16	56315847	1	Schaumstoffröhre	
17	56391690	1	Schwimmerball	
18	56407361	2	Plastikklammer zu BR 850	
19	56440213	1	Schlauchbride	
20	56477613	2	Kabelbändli 7x380mm	
21	56601120	1	Tank	
22	56601121	2	Dichtung	
23	56601125	1	Filter	
24	56601126	1	GASKET EXHAUST	
25	56601127	1	GASKET VAC	
26	56601128	2	Klemmbügel	
27	56114185	1	Deckeldichtung für Schmutzwassertank	
28	56601131	1	VAC PLATE STANDARD	
29	56601488	1	Saugturbine	[1]
29	56397098	1	Kohlebürste (Set)	[2]
30	56601136	1	Saugschlauch BR 855	
31	56601137	1	Motorhaube	
32	56601138	1	Schmutzbehälter	
33	56601139	1	Tankdeckel	
34	56601204	1	Schlauchhalter	
35	56601250	2	Spanngummi	
36	56601253	1	Filterbox	
37	56383319	1	DRAIN HOSE ASSY-1.5	[3]
38	56601421	1	Deckel f. Schmutzbehälter	
39	56601451	1	Deckel f. Filterbox	
40	56344168	2	Filter	

## Part Notes:

- [1] - M5
- [2] - SET OF 2 - NOT SHOWN
- [3] - TSB-US 2011-0015 - Suction Hose Improvement



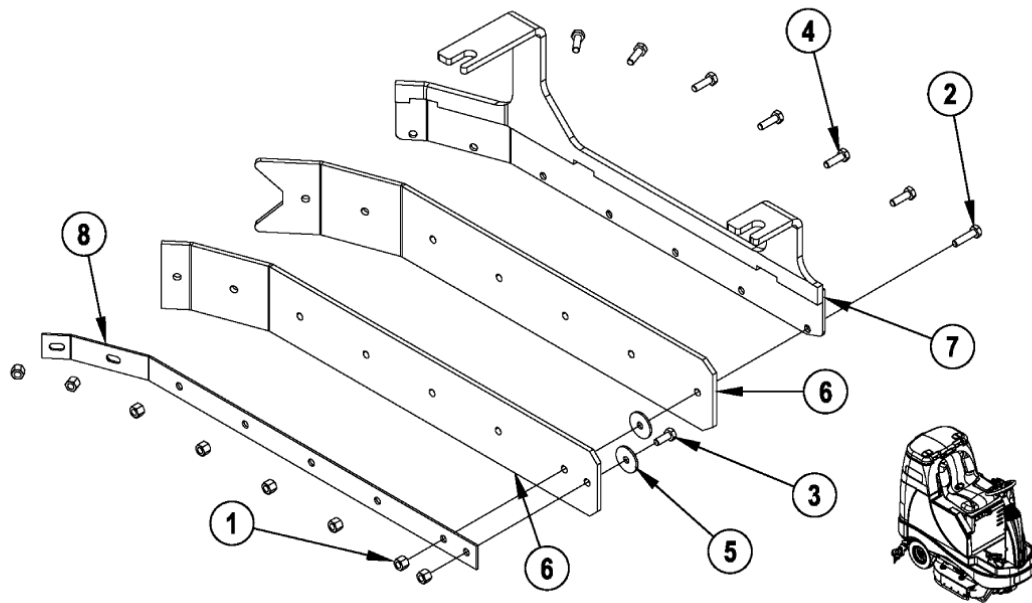
Pos.	Artikel-Nr.	Menge	Variante	Notes
1	56401783	2	Anschlagschraube BR 700S	
2	56380149	4	Rändelschraube	[1]
3	56601578	4	Drehknopf	
4	56409462	1	Schlauch 0.50x12.0	
5	56002086	4	Madenschraube	
6	56002948	8	Schraube 1/4-20 X .75	
7	56003222	2	"Splint 0.125" x 0.5"'"	
9	56003426	9	Stopfmutter M6 Inox	
10	56003431	2	Schraube M6 x 16	
11	56003939	1	SCR-HEX SS M6-1 X 95MM	
12	56009019	2	Schraube 1/4-20x.38	
13	56003657	4	Mutter M12-1.75	
14	56003658	4	Schraube	
15	56003786	2	Bolzenring	
16	56009045	2	WASHER, BOWED	
17	56009086	4	NUT, HEX JAM 5/16-18	
18	56112771	2	CLAMP HOSE SAE 10	
19	56262549	1	Aufsatz	
21	56315061	2	Motor 24V 5HP	[2]
21	56412258	4	Bürste (4 Stk. pro Motor)	[3]
21	56412287	1	Kohlenbürstensenst. m. Federkompl. BA 755/8	[3]
21	56412259	4	Bürstenfeder(4 Stk. pro Motor)	[3]
22	56315321	2	Riemen Poly-V Walzenbürste	
23	56407559	2	Bürstenlager Antriebseite	
23a	56002119	2	Schraube 1/4-20x50zu BR 1000	
23b	56003237	1	Keil 19x.62	
23c	56106070	2	BEARING BALL Z22	
23d	56109527	1	Bürstenklaue BR 950	
23e	56381765	1	Lagerplatte	
23f	56407389	1	Distanzbüchse	
23g	56407442	1	Riemenscheibe POLY-V	
23h	56407558	1	Scheibe zu BR 850	
24	56115314	2	Riemen-Abdeckung	
25	56115344	1	IDLER END ASSY	
25a	56106070	1	BEARING BALL Z22	
25b	56407558	1	Scheibe zu BR 850	
25c	56315447	1	Spannradträger	
25d	56407303	1	Rändelmutter	
25e	56115273	1	Abdeckung Lager	
26	56315625	1	Verbindungsstück	
27	56316089	1	Abweisrolle	
28	56316210	2	HARNESS BRUSH MOTOR	[3]
29	56316553	2	PVC - Schutzrohr	
30	56601049	1	HOPPER WELDT	
31	56407391	2	Spritzschutz vorne/hinten	
32	56407433	2	Scheibe, Poly-V	
33	56412176	1	Lager	
34	56493357	2	INSULATOR TERMINAL	
35	56601048	1	HOUSING WELDT	
36	56601468	1	Seitenschürze, links	
37	56601476	1	Seitenschürze, rechts	
41	56379139	1	Schlauch PVC .750x30	
42	56244969	1	Schlauch-Bride	
43	56009060	2	SCHEIBE-U	

## Part Notes:

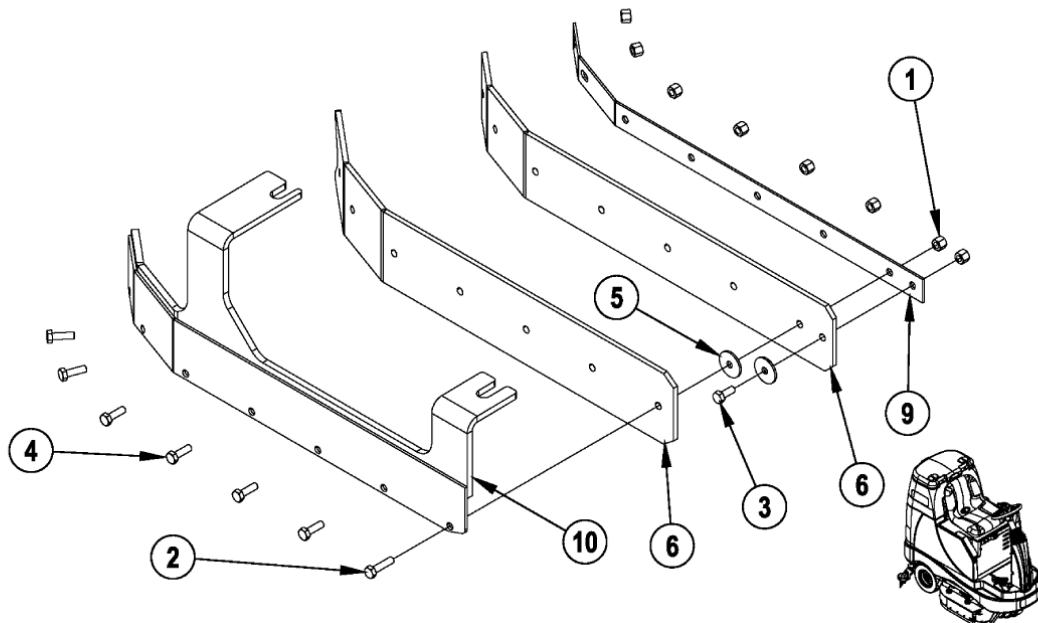
- [1] - TSBUS2010-1060  
 [2] - M7 / M8, TSBUS2010-1058  
 [3] - NOT SHOWN



56601468 - Left Skirt Assy



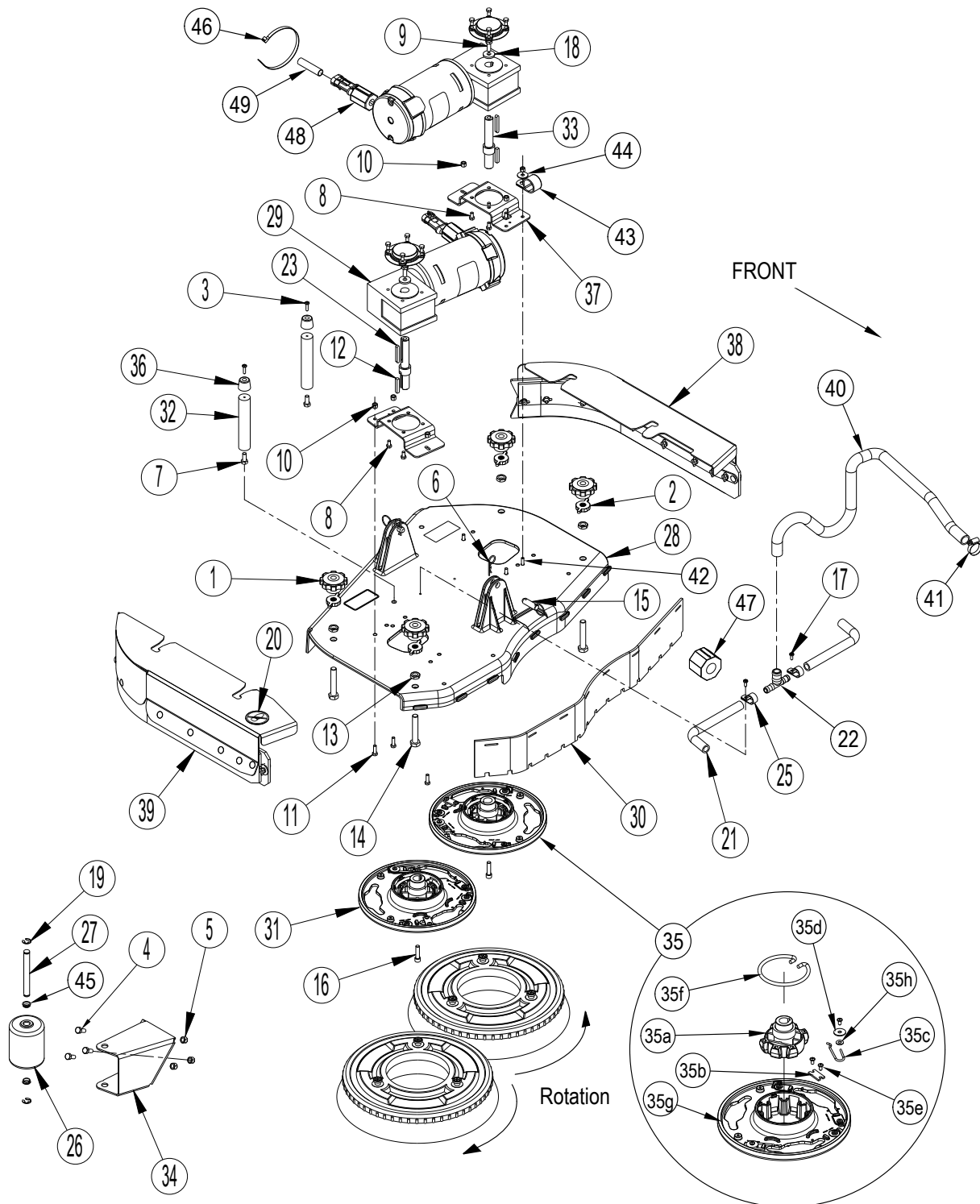
56601476 - Right Skirt Assy



Pos.	Artikel-Nr.	Menge	Variante	Notes
	56601468	1	Seitenschürze, links	[1]
	56601476	1	Seitenschürze, rechts	[2]
1	56003426	8	Stopfmutter M6 Inox	
2	56003695	1	Schraube M6	
3	56003431	1	Schraube M6 x 16	
4	56003454	6	Schraube HEX ZHD TO HD	
6	56316194	1	Seitenschürze	[3]
5	56009060	2	SCHEIBE-U	
6	56601538	1	Seitenschürzen-Set PU	[4]
6	56601681	1	Seitenschürzen-Set zyl.	[4]
7	56601047	1	SKIRT BRACKET WELDT	[5]
8	56601046	1	Befestigung	[5]
9	56601045	1	RETAINER-SKIRT	[6]
10	56601044	1	SKIRT BRACKET WELDT	[6]

## Part Notes:

- [1] - 1-8
- [2] - 1-6, 9, 10
- [3] - All deck blade kits include all blades necessary.
- [4] - All deck blade kits include all blades necessary. - OPTIONAL, NOT INCLUDED
- [5] - LEFT
- [6] - RIGHT

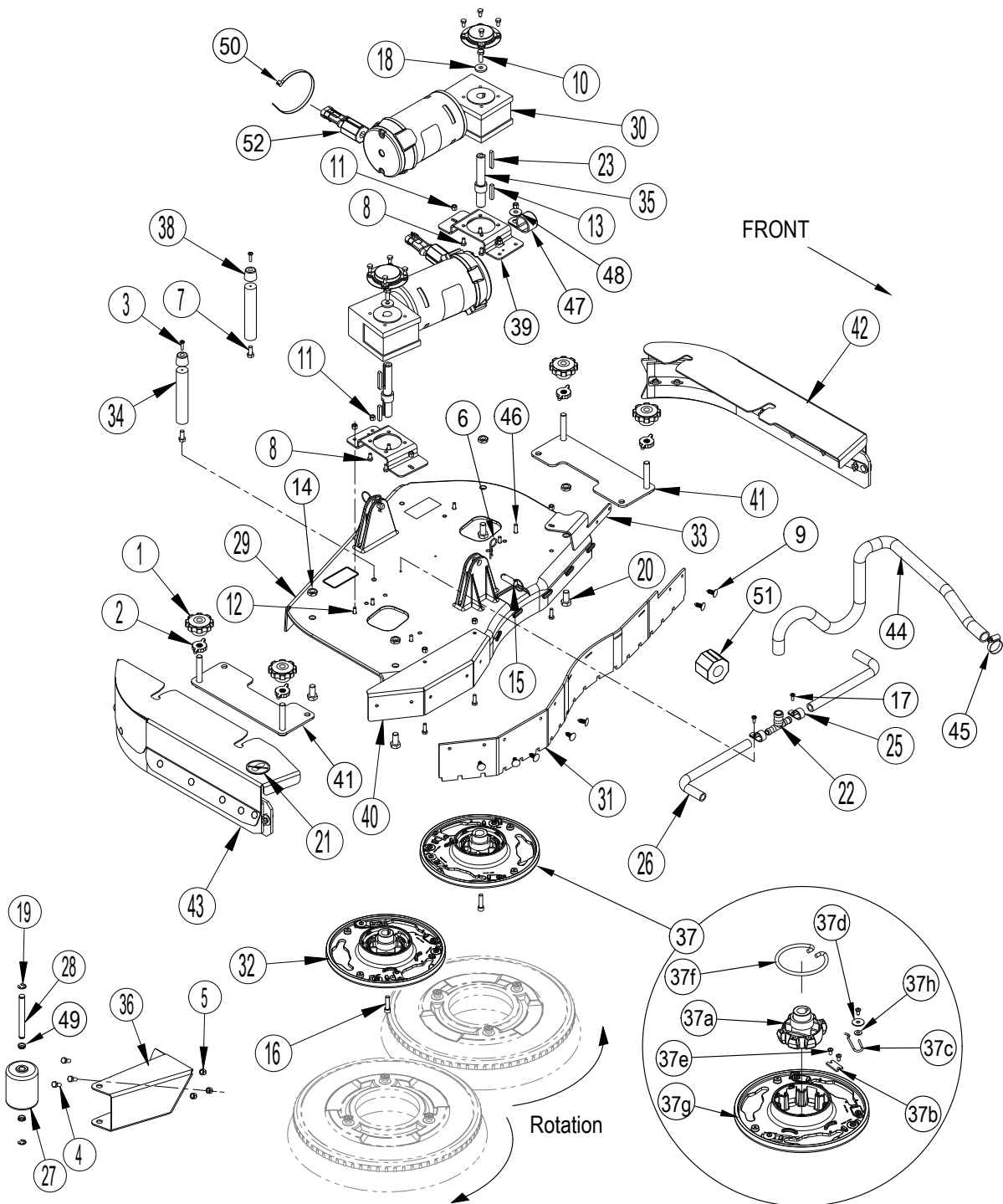


Pos.	Artikel-Nr.	Menge	Variante	Notes
1	56380149	4	Rändelschraube	[1]
2	56601578	4	Drehknopf	
3	56002192	2	SCR PAN HD PHIL 10-24X.75	
4	56002667	3	Schraube 5/16-18 X.75	
5	56002701	3	MUTTER 5-16-18 HEX JAM	
6	56002959	2	Splint zu BA 500	
7	56003012	2	SCR HEX HD SS 5/16-18 XO.	
8	56003211	8	Schraube HEX HDSS	
9	56003335	2	Schraube HEX	
10	56003426	6	Stoppmutter M6 Inox	
11	56003454	5	Schraube HEX ZHD TO HD	
12	56003526	2	KEY SQ .25 X 1.44	
13	56003657	4	Mutter M12-1.75	
14	56003658	4	Schraube	
15	56003786	2	Bolzenring	
16	56003798	2	Schraube 5/16 18x1.25	
17	56009029	2	SCR PANPHIL THD FORM10-24	
18	56009057	2	WSHFLTHARD.344x1.000x	
19	56003264	2	"Benzingring 0,5""	
20	56016163	1	Aufkleber no-Step	
21	56266108	2	Spiralschlauch	
22	56305760	1	TEE BARB 3/4 X 1/2 X 1/2	
23	56314359	2	Keil 6mm	
25	56328064	2	Clamp, Cable .75 E00129	
26	56407006	1	Abweisrolle zu BR 850	
27	56601580	1	Bolzen	
28	56601113	1	Grundplatte	
29	56601134	2	Bürstenmotor	[2]
	56601533	1	MOTOVARIO GEARBOX	[3]
	56314580	1	Kugellager	[4]
	56601537	1	BALL BEARING OUTPUT SIDE	[5]
	56601534	2	CARBON BRUSH	[3]
	56601535	1	Keil	[3]
	56601508	1	PLASTIC COVER	[3]
	56601536	1	MOTOR FAN	[3]
30	56601248	1	Gummilippe vorn	
	56601521	1	Sauglippe vorne	[6]
31	56601734	1	Bürstenaufnahme	[7]
32	56601289	2	ROD UP STOP	
33	56601319	2	SHAFT HUB MOUNT	
34	56601032	1	ROLLER BRKT 28	
35	56601733	1	Bürstenaufnahme	
35a	56112521	1	Schraubenstützlager	
35b	56366455	1	Platte zu BR 1000	
35c	56109653	2	Klemmfeder	
35d	56009002	2	UNTERLEGSCHIBE, FLACH	
35e	56009247	3	SCR PN PHIL PLASTITE 10-14X.38	
35f	56601056	1	Sicherungsring	
35g	56601118	1	Bürstenplatte	
35h	56001954	1	WSH FLT SAE 10	
36	56601388	2	Anschlag	
37	56601389	2	BRACKET MOTOR	
38	56383468	1	SKIRT ASSY KIT-28 IN	[8]
	56383471	1	SKIRT ASSY-LEFT-28D	[9]
	56384427	1	SKIRT ASSEMBLY KIT-28 IN EU	[10]
39	56601543	1	Seitenschürze kpl. rechts	[8]
	56383470	1	SKIRT ASSY-RIGHT-28-34D	[9]
38-39	56383468	1	SKIRT ASSY KIT-28 IN	[9]
40	56601793	1	HOSE-.75X36.00	

Pos.	Artikel-Nr.	Menge	Variante	Notes
41	56244969	1	Schlauch-Bride	
42	56003695	1	Schraube M6	
43	56409463	1	Clamp, 1.25 Hose support	
44	56003696	1	Unterlegscheibe	
45	56302164	2	Nylonbüchse	
46	56477613	1	Kabelbändli 7x380mm	
47	56601687	1	FERRITE BEAD	[11]
48	56601686	2	FERRITE BEAD	[12]
49	56384077	2		[13]

## Part Notes:

- [1] - TSBUS2010-1060
- [2] - M7 / M8
- [3] - Not Shown
- [4] - (fan end) Not Shown
- [5] - (brush end) Not Shown
- [6] - Optional, Not IncludedPU
- [7] - Item 31 (56601733) consists of the exact same components as item 35 (56601734)
- [8] - The original Skirt Assemblies have been reactivated and are available again. If you have a machine built before January 20, 2014 and After April 13, 2015 and you need to replace either skirt assembly you should order Skirt Assy Kit 56384427 for BR755
- [9] - The Side Skirt Assemblies were updated as of January 20, 2014. If you have a machine built between January 20, 2014 and April 13, 2015 and you need to replace either skirt assembly you should order Skirt Assy Kit 56383468 for BR755 models and replace
- [10] - EXPIRED USE 56383468  
The original Skirt Assemblies have been reactivated and are available again. If you have a machine built before January 20, 2014 and After April 13, 2015 and you need to replace either skirt assembly you should order Skirt Assy Kit 56384427 for BR755
- [11] - Installed on main harness
- [12] - Installed on each brush drive motor
- [13] - 56384077 is only used on machines built after January 26th 2015. Revised or new since last update



Pos.	Artikel-Nr.	Menge	Variante	Notes
1	56380149	4	Rändelschraube	[1]
2	56601578	4	Drehknopf	
3	56002192	2	SCR PAN HD PHIL 10-24X.75	
4	56002667	3	Schraube 5/16-18 X.75	
5	56002701	3	MUTTER 5-16-18 HEX JAM	
6	56003222	2	"Splint 0.125" x 0.5"	
7	56003012	2	SCR HEX HD SS 5/16-18 XO.	
8	56003211	8	Schraube HEX HDSS	
9	56003263	7	"Nylonstift 0.25"	
10	56003335	2	Schraube HEX	
11	56003426	9	Stoppmutter M6 Inox	
12	56003454	8	Schraube HEX ZHD TO HD	
13	56003526	2	KEY SQ .25 X 1.44	
14	56003657	4	Mutter M12-1.75	
15	56003786	2	Bolzenring	
16	56003798	2	Schraube 5/16 18x1.25	
17	56009029	2	SCR PANPHIL THD FORM10-24	
18	56009057	2	WSHFLTHARD.344x1.000x	
19	56003264	2	"Benzingring 0,5"	
20	56009119	4	Schraube HEXTHDTHD	
21	56016163	1	Aufkleber no-Step	
22	56305760	1	TEE BARB 3/4 X 1/2 X 1/2	
23	56314359	2	Keil 6mm	
25	56328064	2	Clamp, Cable .75 E00129	
26	56387302	2	Schlauch PVC	
27	56407006	1	Abweisrolle zu BR 850	
28	56601580	1	Bolzen	
29	56601113	1	Grundplatte	
30	56601134	2	Bürstenmotor	
	56601533	1	MOTOVARIO GEARBOX	[2]
	56314580	1	Kugellager	[3]
	56601537	1	BALL BEARING OUTPUT SIDE	[4]
	56601534	2	CARBON BRUSH	[2]
	56601535	1	Keil	[2]
	56601508	1	PLASTIC COVER	[2]
	56601536	1	MOTOR FAN	[2]
31	56601275	1	Gummilippe	
	56601522	1	BLADE FRONT 34	
32	56601734	1	Bürstenaufnahme	[5]
33	56601278	1	SKIRT BRACKET FRONT 34	
34	56601289	2	ROD UP STOP	
35	56601319	2	SHAFT HUB MOUNT	
36	56601031	1	ROLLER BRKT 34	
37	56601733	1	Bürstenaufnahme	
37a	56112521	1	Schraubenstützlager	
37b	56366455	1	Platte zu BR 1000	
37c	56109653	2	Klemmfeder	
37d	56009002	1	UNTERLEGSCHIEBE, FLACH	
37e	56009247	4	SCR PN PHIL PLASTITE 10-14X.38	
37f	56601056	1	Sicherungsring	
37g	56601118	1	Bürstenplatte	
37h	56001954	1	WSH FLT SAE 10	
38	56601388	2	Anschlag	
39	56601389	2	BRACKET MOTOR	
40	56601452	1	BRUSH COVER	
41	56601034	2	SIDE SKIRT WELDMENT	
42	56601542	1	Seitenschürze li, 34	[6]
	56383472	1	SKIRT ASSY-LEFT-34D	[7]
	56384428	1	SKIRT ASSEMBLY KIT-34 IN EU	[7]

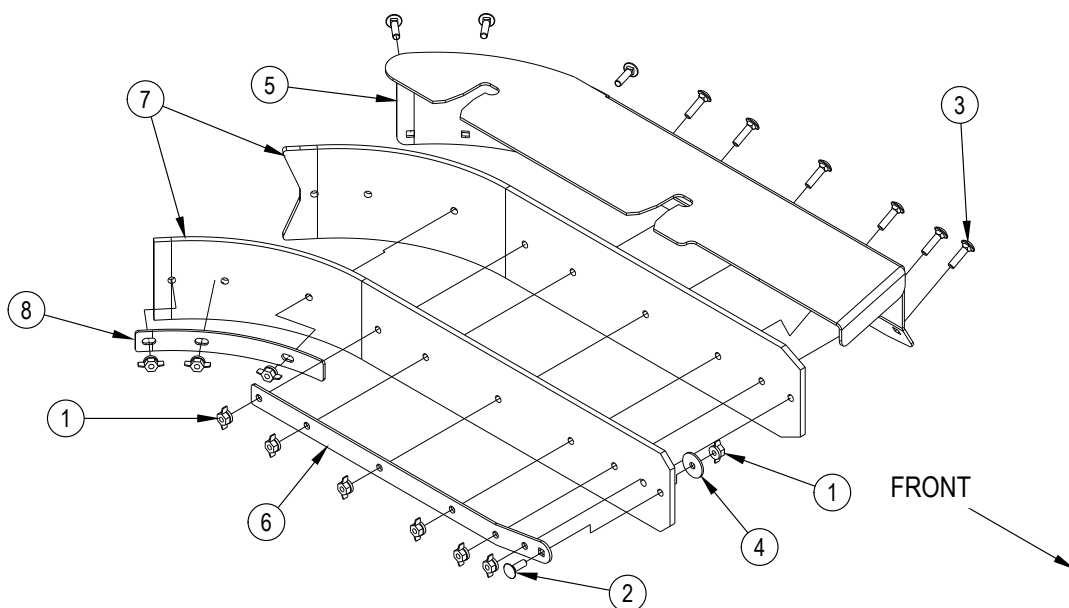
Pos.	Artikel-Nr.	Menge	Variante	Notes
43	56601543	1	Seitenschürze kpl. rechts	[6]
	56383469	1	SKIRT ASSY KIT-34 IN	[7]
	56383470	1	SKIRT ASSY-RIGHT-28-34D	[7]
44	56601793	1	HOSE-.75X36.00	
45	56244969	1	Schlauch-Bride	
46	56003695	1	Schraube M6	
47	56409463	1	Clamp, 1.25 Hose support	
48	56003696	1	Unterlegscheibe	
49	56302164	2	Nylonbüchse	
50	56477613	1	Kabelbändli 7x380mm	
51	56601687	1	FERRITE BEAD	[8]
52	56601686	2	FERRITE BEAD	[9]

## Part Notes:

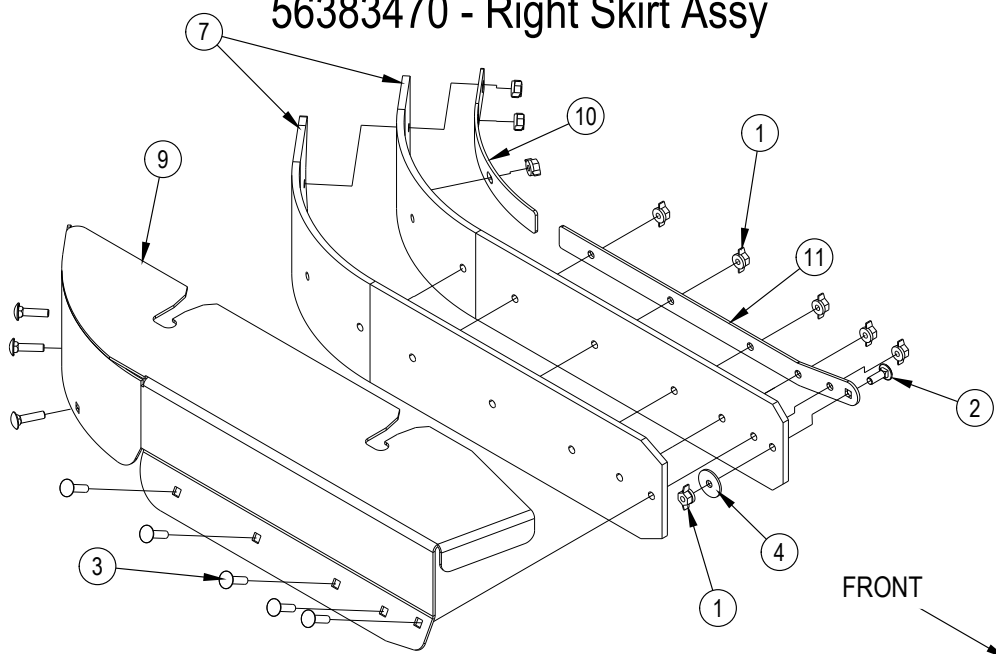
- [1] - TSBUS2010-1060
- [2] - Not Shown
- [3] - (fan end) Not Shown
- [4] - (brush end) Not Shown
- [5] - Item 32 (56601733) consists of the exact same components as item 37 (56601734)
- [6] - The original Skirt Assemblies have been reactivated and are available again. If you have a machine built before January 20, 2014 and After April 13, 2015 and you need to replace either skirt assembly you should order Skirt Assy Kit 56384428 for BR855 models and replace them as a matched pair. See pages 20 and 21
- [7] - The Side Skirt Assemblies were updated as of January 20, 2014. If you have a machine built between January 20, 2014 and April 13, 2015 and you need to replace either skirt assembly you should order Skirt Assy Kit 56383469 for BR855 models and replace them as a matched pair. See pages 22 and 23. If you want to replace either Skirt Assembly with the original Side Skirt Assemblies you should order Skirt Assy Kit 56384428 for BR855 models and replace them as a matched pair. See pages 20 and 21
- [8] - Installed on main harness
- [9] - Installed on each brush drive motor



56383471 (BR755) / 56383472 (BR855) - Left Skirt Assy



56383470 - Right Skirt Assy



Resource notes:

NOTE 1: All quantities shown are for one skirt assembly. There are two skirt assemblies on the machine.

NOTE 2: All disk deck blade kits include all side skirt blades.

NOTE 3: The Side Skirt Assemblies have been updated as of January 20, 2014. The original Skirt Assemblies are no longer available. If you have a machine

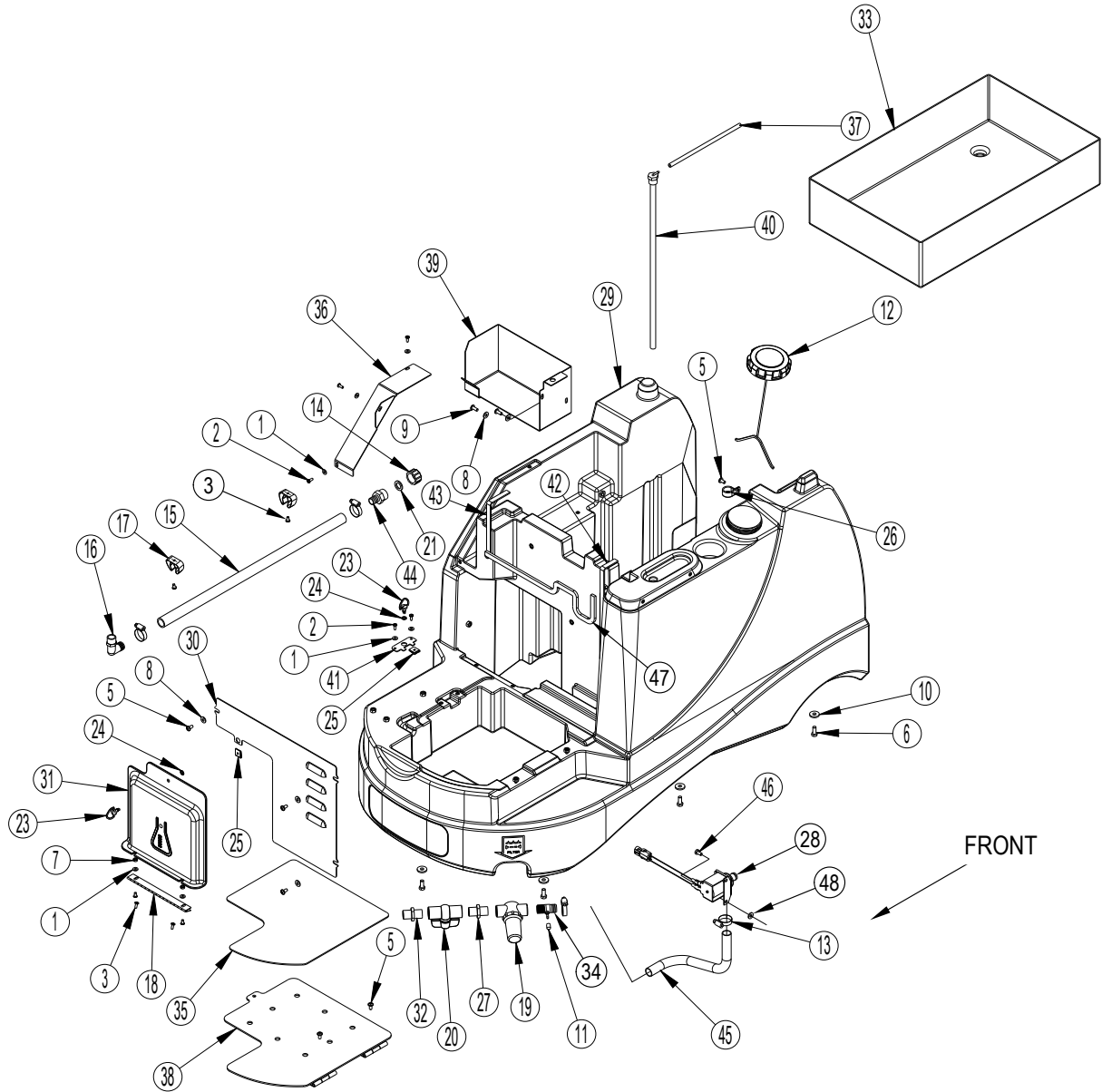
built prior to January 20, 2014 and you need to replace either skirt assembly you should order Skirt Assy Kit 56383468 for BR755 models or Skirt Assy Kit

56383469 for BR855 models and replace them as a matched pair.

Pos.	Artikel-Nr.	Menge	Variante	Notes
	56383471	1	SKIRT ASSY-LEFT-28D	[1]
	56383472	1	SKIRT ASSY-LEFT-34D	[2]
	56383470	1	SKIRT ASSY-RIGHT-28-34D	[3]
1	56003824	9	Mutter 1/4 20	[4]
2	56003715	1	Halter	
3	56003828	8	Schraube 1/4 20x1.00	[5]
4	56009060	1	SCHEIBE-U	
5		1	NON-SALEABLE	
5	56383493	1	SKIRT BKT WELDT-LEFT-34D	[6]
6	56383473	1	STRAP-FRONT-28-34D	[7]
6	56383474	1	STRAP-FRONT-LEFT-34D	[8]
7	56383488	1	Seitenschürze-Set, Gummi	[9]
	56383490	1	Seitenschürze-Set, PU	[9]
	56383489	1	Seitenschürze-Set, Gummi rot	[9]
8	56114386	1	STRAP REAR 28D 34D	[7]
8	56114387	1	STRAP REAR 34D LT	[8]
9	56383470	1	SKIRT ASSY-RIGHT-28-34D	[10]
10	56114386	1	STRAP REAR 28D 34D	[10]
11	56383473	1	STRAP-FRONT-28-34D	[10]

## Part Notes:

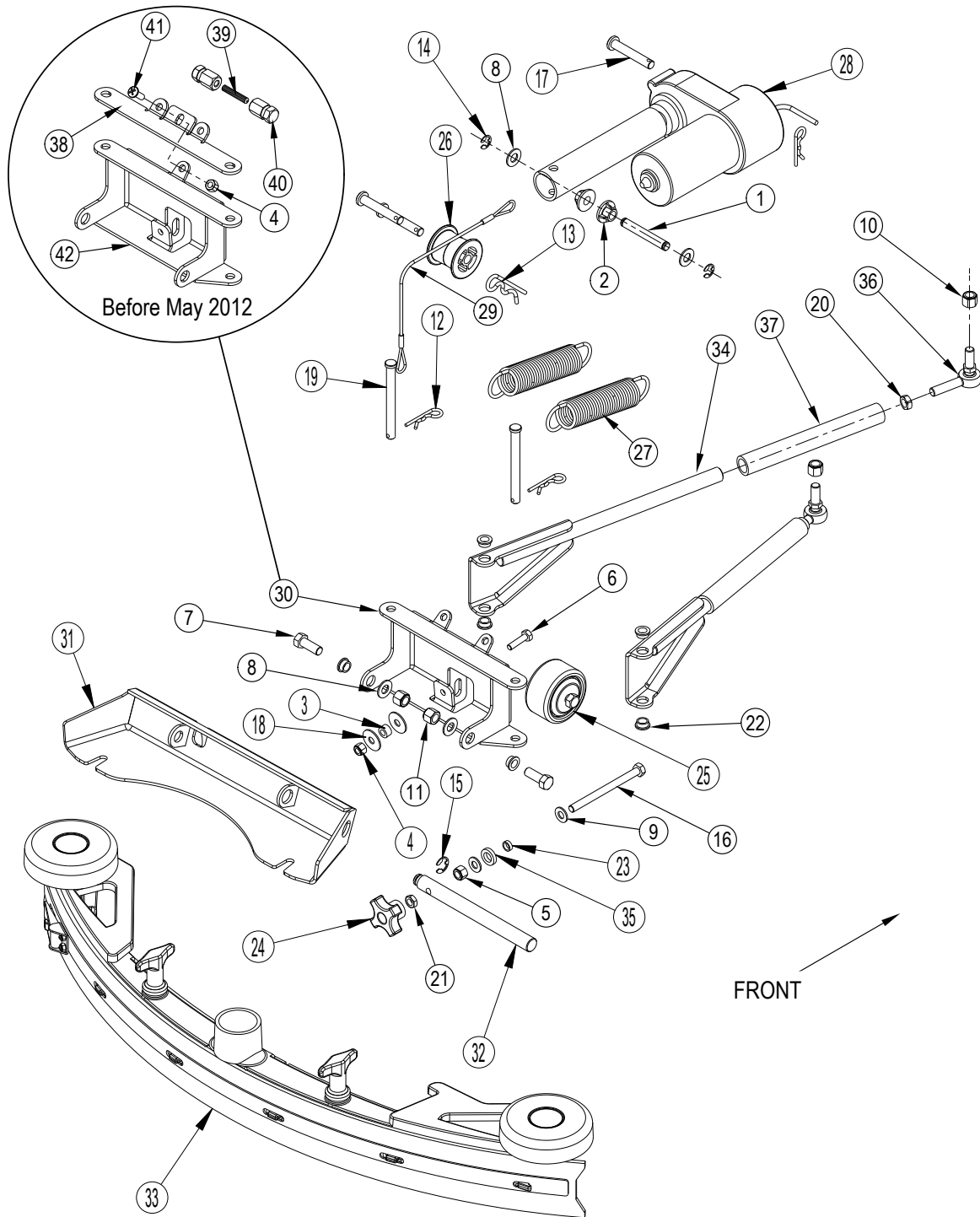
- [1] - (BR755 / 1-8) NOTE 3
- [2] - (BR855 / 1-8) NOTE 3
- [3] - (All Models / 1-4, 7, 9, 10, 11) NOTE 3
- [4] - (qty of 10 in 56383472)
- [5] - (qty of 9 in 56383472)
- [6] - NON-SALEABLE USE 56383472
- [7] - (BR755 / Left)
- [8] - (BR855 / Left)
- [9] - NOTE 2
- [10] - (All Models / Right)



Pos.	Artikel-Nr.	Menge	Variante	Notes
1	56002916	7	WSH FLT SAE SS #10	
2	56003400	5	Schraube	
3	56003913	6	SCR-PAN PHIL LOC SS 10-24X.38	
5	56003119	8	SCR PAN PHIL SS 1/4 20 X .50.	
6	56002667	4	Schraube 5/16-18 X.75	
7	56002849	2	NUT HEX NYL LOC-THIN SS10	
8	56002859	2	Mutter SS 1/4	
9	56002859	2	Mutter SS 1/4	
10	56009122	4	Unterlegscheibe	
11	56051209	1	Gummispitze schwarz	
12	56510442	1	Schraubverschluss	[1]
13	56244969	4	Schlauch-Bride	
14	56255076	1	Frischwasserverschlusszu BA 530	
15	56261265	1	Plastikrohr	
16	56314757	1	Gelenkverschraubung	
17	56601598	1	Schlauchclip	
18	56315285	1	HINGE	
19	56315296	1	Frischwasserfilter	
19	56601594	1	Wasserfilter	[2]
20	56381521	1	Kugelhahn	
21	56368776	1	Dichtung Frischwasser-verschluss zu BA 5	
23	56380132	2	Halter	
24	56380137	2	Halter	
25	56380141	2	Steckhülse	
26	56410097	3	CLAMP P	
27	56412182	1	Nippel	
28	56601064	1	SOLENOID VALVE ASSEMBLY	[3]
29	56601076	1	Tank	
30	56601106	1	PANEL	
31	56601202	1	CHEMICAL BOTTLE COVER	
32	56601212	1	Nippel	[4]
33	56601213	1	Batteriebox	
34	56601236	1	Anschlussstück	
35	56601246	1	Matte	
36	56601268	1	PLATE	
37	56112553	1	HOSE	
38	56601339	1	CHARGER COVER WELDMENT	
39	56601845	1	BRACKET	
40	56344172	1	TUBE PRESSURE SENSING W/ELBOW	[5]
41	56601843	1	PLATE	
42	56601569	1	GASKET	
43	56601570	1	Dichtung	
44	56900273	1	Schlauchnippel BA 800	
45	30445A	1	Schlauch, Frischwasser	
46	56002935	1	SCR HEX LOC SS 1/4-20 X .5	
47	56601685	1	Dichtung	
48	56009064	1	Unterlegscheibe	

## Part Notes:

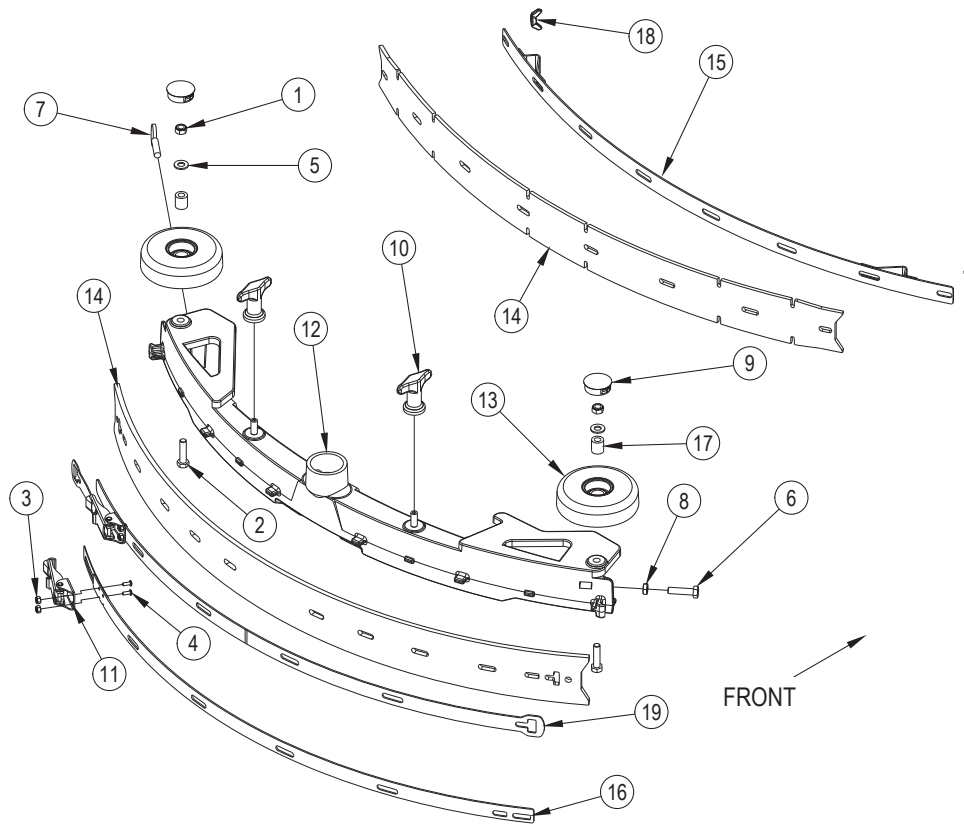
- [1] - TSB-FC-2015-031 Various machines Solution Fill Cap
- [2] - 56601594 is a repair kit for the item 56315296. 56601594 contains: filter mesh, o-ring and filter cup
- [3] - TSB-FC-2015-023-Various Machines -Clean water leaking from machine when  
DE TSB-FC-2015-023 Div. Maschinen - Undichtes Magnetventil
- [4] - 56601212 is only used on machines built before December 16, 2013. After that date it is replaced with 56412182.
- [5] - May 2011



Pos.	Artikel-Nr.	Menge	Variante	Notes
1	56412088	1	Bolzen zu BR 700	
2	56412248	2	Scheibe	
3	56453691	1	SPACER	
4	56002491	2	Stopmutter 1/4-20	[1]
5	56002856	1	"Mutter Nylon LOC 5/16""	
6	56002883	1	Schraube SS1/4-20x75	
7	56002886	2	SCR HEX HD SS 3/8-16x1	
8	56002910	4	"Scheibe 3/8""	
9	56002938	2	WSH FLT SAE SS 5/16	
10	56002951	2	NUT HEX NYL LOC 3/8-24	
11	56003219	2	Mutter Zoll LOC SS 3/8 16	
12	56003222	3	"Splint 0.125"" x 0.5""	
13	56003223	1	"Splint 0.148"" x 0.62""	
14	56003262	2	Ring	
15	56003264	1	"Benzingring 0,5""	
16	56003486	1	Schraube 5/16 18x 4.00	
17	56003656	3	"Bolzen 0.375"" x 2.25""	
18	56003696	2	Unterlegscheibe	
19	56003713	2	Bolzen .38 X 3.75	
20	56009103	2	Stopmutter 3/8-24	
21	56009141	1	Mutter HEX JAM SS 5/16-18	
22	56324505	6	BEARING FLANGE .376E00201	
23	56381818	1	Buchse f. Segment	
24	56407303	1	Rändelmutter	
25	56412124	1	Stützrolle	
26	56412208	1	Rolle zu BR 700C	
27	56412216	2	Zugfeder	[2]
28	56601147	1	ACTUATOR MOTOR 24V	[3]
29	56601257	1	CABLE ASSEMBLY	
30	56601038	1	WELDT-SQUEEGEE PIVOT	[4]
31	56601037	1	WELDT-SQUEEGEE MOUNT	
32	56601442	1	Spindel	
33	56601449	1	Absaugleiste Kompl.	[5]
	56601454	1	Absaugleiste	[6]
34	56601460	2	Gestänge	
35	56601463	1	Unterlegscheibe	
36	56601469	2	Endstück	
37	56601512	2	Schlauch	
38	56382623	1	Federträger	[2]
39	56382637	1	Gewindestange	[2]
40	56382624	2	Federmutter	[2]
41	56002957	1	Schraube SS 1/4 - 20 X	[7]
42	56601436	1	Halterung	[8]

## Part Notes:

- [1] - These parts were implemented in production as of November 2011 to increase squeegee down pressure. Order Squeegee Spring Kit 56382635 to upgrade your machine to include this improvement. Only used before May 2012
- [2] - These parts were implemented in production as of November 2011 to increase squeegee down pressure. Order Squeegee Spring Kit 56382635 to upgrade your machine to include this improvement. Only used before May 2012 56382635 - Squeegee spring kit
- [3] - M3
- [4] - After April 2012
- [5] - BR 755 Includes Gum Rubber Blades
- [6] - BR 855 Includes Gum Rubber Blades
- [7] - These parts were implemented in production as of November 2011 to increase squeegee down pressure. Order Squeegee Spring Kit 56382635 to upgrade your machine to include this improvement. Only used before May 2012  
56382635 - Squeegee spring kit
- [8] - Before May 2012

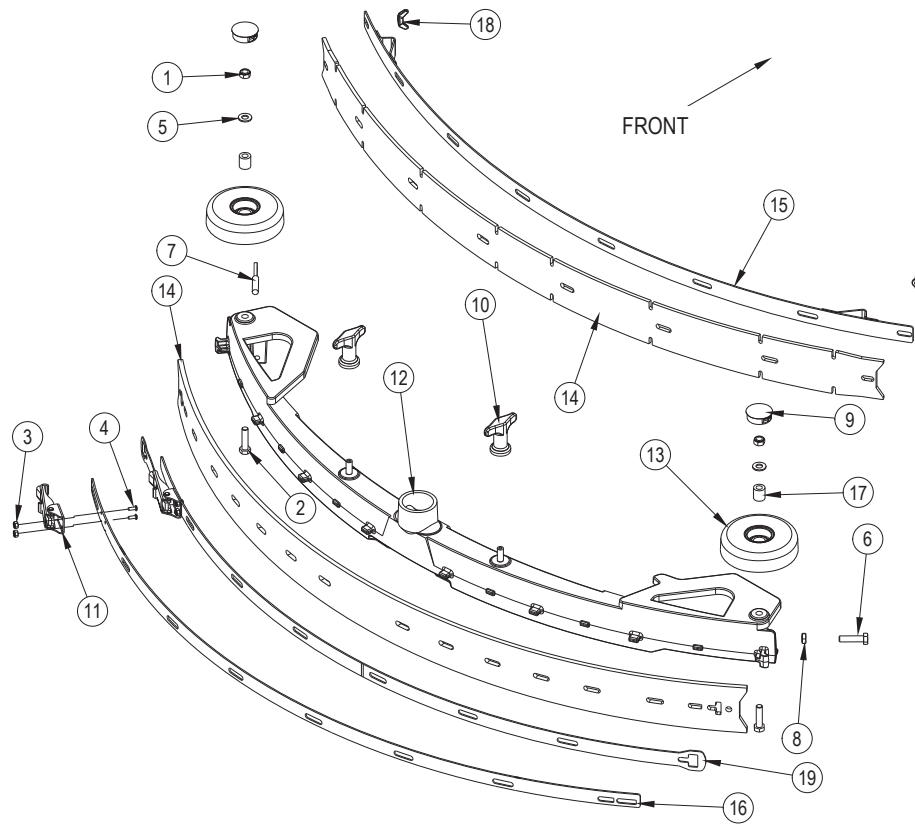


Pos.	Artikel-Nr.	Menge	Variante	Notes
00	56601449	1	Absaugleiste Kompl.	[1]
1	56002851	2	Mutter NYL LOC-THIN SS5/	
2	56003302	2	Schraube 5/16-18	
3	56002907	2	NUT HEX NYL LOC SS 6-32	[2]
4	56002909	2	SCR PAN PHL SS6-32X38	[2]
5	56002938	2	WSH FLT SAE SS 5/16	
6	56003302	1	Schraube 5/16-18	
7	56003792	1	Schraube	
8	56009141	1	Mutter HEX JAM SS 5/16-18	
9	56111444	2	Deckel f. Rad	
10	56370711	2	Mutter	
11	56471194	1	Klemme	[2]
12		1	SQUEEGEE CASTING - BR 755, NOTE 2	[3]
13	56601450	2	Rad 4,00 Od	
14	56382734	1	Absaugleisten-Set	[4]
14	56382735	1	Sauglippen-Set, Gummi, rot	[4]
14	56382737	1	Sauglippen-Set, PU, 71 cm	[4]
15	56601489	1	Befestigungsschiene	
16	56382676	1	Befestigungsschiene 28IN	[5]
16	56601591	1	Befestigungsschiene	[6]
17	56601499	2	Buchse	
18	56009111	2	Flügelmutter 1/4-20	[7]
19	56382697	1	CLAMP-BAND 28 IN ASSY	[8]

## Part Notes:

- [1] - BR 755 - Includes Gum Rubber Blades
- [2] - Before June 2012
- [3] - SQUEEGEE CASTING - BR 755, The squeegee casting is not available for sale separately. If you need to replace your squeegee casting please order a new Squeegee Assembly part number 56601449.
- [4] - All squeegee blade kits include both front and rear squeegee blades. These squeegee blades are designed to provide increased performance and reduced streaking. When installing these blades on a machine built before November 2011 you must also order a new rear strap part number 56382676. After October 2011
- [5] - Squeegee assembly - BR 855 - Only used after SN 3000023099.
- [6] - Squeegee assembly - BR 855 - Only used before SN 3000023100.
- [7] - Squeegee assembly - BR 855- Only used before SN 3000023100.
- [8] - After May 2012

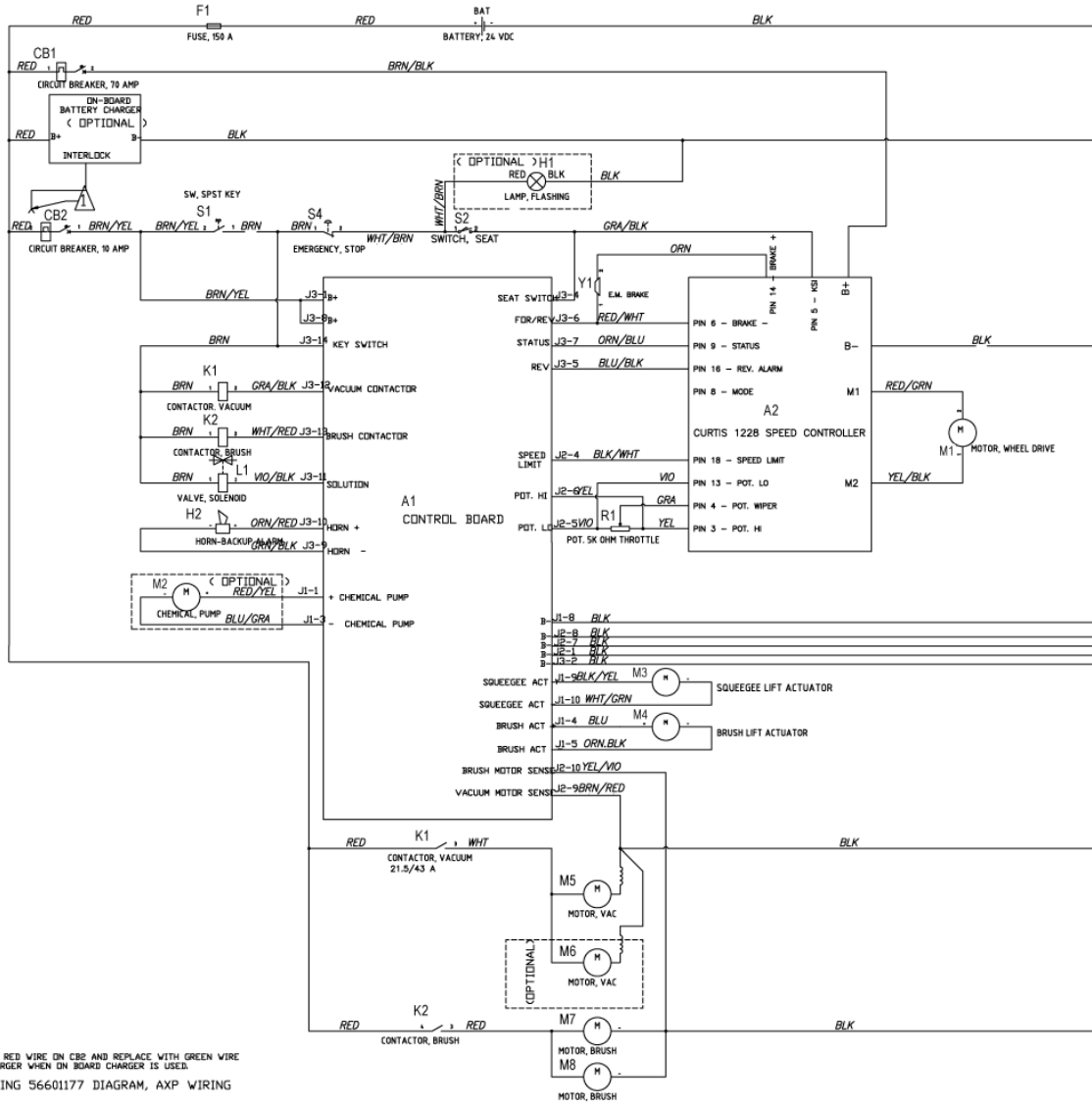




Pos.	Artikel-Nr.	Menge	Variante	Notes
00	56601454	1	Absaugleiste	[1]
1	56002851	2	Mutter NYL LOC-THIN SS5/	
2	56003302	2	Schraube 5/16-18	
3	56002907	2	NUT HEX NYL LOC SS 6-32	[2]
4	56002909	2	SCR PAN PHL SS6-32X38	[2]
5	56002938	2	WSH FLT SAE SS 5/16	
6	56003302	1	Schraube 5/16-18	
7	56003792	1	Schraube	
8	56009141	1	Mutter HEX JAM SS 5/16-18	
9	56111444	2	Deckel f. Rad	
10	56370711	2	Mutter	
11	56471194	1	Klemme	
12		1	SQUEEGEE CASTING - BR 855, NOTE2	[3]
13	56601450	2	Rad 4,00 Od	
14	56382740	1	Sauglippen-Set PU	[4]
14	56382738	1	Absaugleisten-Set	[4]
14	56382739	1	Sauglippen-Set, Gummi, rot	[4]
15	56601495	1	Befestigung Vorne D	[5]
16	56601496	1	Befestigung hinten	[6]
16	56601593	1	Halteschiene Saugfuss	[7]
17	56601499	2	Buchse	
18	56009111	2	Flügelmutter 1/4-20	[7]
19	56382698	1	CLAMP-BAND 34 IN ASSY	[8]

## Part Notes:

- [1] - BR 855 - Includes Gum Rubber Blades
- [2] - Before May 2012
- [3] - The squeegee casting is not available for sale separately. If you need to replace your squeegee casting please order a new Squeegee Assembly part number 56601454.
- [4] - All squeegee blade kits include both front and rear squeegee blades.
- [5] - BR 855
- [6] - TSB US 2009-1041. New Squeegee Casting - Only used after SN 300006846 and before May 2012
- [7] - TSB US 2009-1041. New Squeegee Casting - Only used before SN 300006847.
- [8] - After April 2012



NOTES  
 ⚠ DISCONNECT RED WIRE ON CB2 AND REPLACE WITH GREEN WIRE FROM CHARGER WHEN ON BOARD CHARGER IS USED.  
 REF DRAWING 56601177 DIAGRAM, AXP WIRING

Pos.	Artikel-Nr.	Menge	Variante	Notes
A1	56384462	1	INTERFACE PANEL ASSY	
A2	56601061	1	SPEED CONTROL	
BAT		1	BATTERY, NOT AVAILABLE	[1]
CB1	56454429	1	CIRCUIT BREAKER 70A	
CB2	56507644	1	CIRCUIT BREAKER 10 AMP	
F1	56412089	1	FUSE 150 AMP	
H1	56307166	1	Rundumleuchte	[2]
H2	56412177	1	Horn RückfahralarmBR 1100S	
K1	56601183	1	CONTACTOR 24V 100 AMP	
K2	56412179	1	CONTACTOR 24 VDC	
L1	56601064	1	SOLENOID VALVE ASSEMBLY	[3]
M1	56601050	1	MOTOR DRIVE WHEEL	
M2	56315241	1	EDS Pumpe	
M3	56601147	1	ACTUATOR MOTOR 24V	
M4	56601432	1	LIFT ACTUATOR ASSEMBLY	
M5	56601488	1	Saugturbine	
M6	56601488	1	Saugturbine	[2]
M7	56601134	2	Bürstenmotor	[4]
M7	56315061	1	Motor 24V 5HP	[5]
M8	56601134	2	Bürstenmotor	[4]
M8	56315061	1	Motor 24V 5HP	[5]
R1		1	Part of 56385804	
S1	56303553	1	KEY SWITCH ASSEMBLY	
S1	56303526	1	Schlüssel, 2Stk.	[6]
S2	7-82-00050	1	Sitzschalter BR 1300 S	
S4	56407130	1	Schalter(Notunterbrecher)	
Y1	56601507	1	PARKING BRAKE	
Y1	56315124	1	Einbauladegerät 24V	[7]

## Part Notes:

- [1] - BATTERY, NOT AVAILABLE
- [2] - OPTIONAL
- [3] - TSB-FC-2015-023-Various Machines -Clean water leaking from machine when  
DE TSB-FC-2015-023 Div. Maschinen - Undichtes Magnetventil
- [4] - DISK
- [5] - CYLINDRICAL, TSB US 2010-1058. Identification of Cyl. Brush Motors
- [6] - OPTIONAL, NOT INCLUDED
- for 56303553
- [7] - TSBUS2008-984



Pos.	Artikel-Nr.	Menge	Variante	Notes
1		1	Kits	[1]
2	56397453	1	INDICATOR BATTERY LEVEL	[2]
3	7-03-04249	1	Armlehne links	
4	56383188	1	ARM REST KIT R/H + L/H	
5	56601085	1	Blitzlampe	
6	56601087	1	Handsaugset	
7	56422162	1	Sicherheitsgurt	
8	56601090	1	Saugmotor	
9	56601080	1	Einbauladegerät	
10	56601527	1	KIT BATTERY WATERING	[2]
11	56315732	1	Programmiergerät	
12	56601082	1	Ecoflex-Set	
13	56601735	1	DEBRIS TRAY	
14	56601546	1	Tellerdeck 71 cm komplettBR 755	
15	56601547	1	KIT 34 DISK DECK ASSY	
16	56601756	1	Walzendeck 28"	
17	56383697	1	SKIRT EXT-CONCRETE POLISH KIT	
18		1	BR 755 Squeegee Blade Kits	
19	56382734	1	Absaugleisten-Set	
21	56382737	1	Sauglippen-Set, PU, 71 cm	
23	56382735	1	Sauglippen-Set, Gummi, rot	
25		1	BR 855 Squeegee Blade Kits	
26	56382738	1	Absaugleisten-Set	
27	56382740	1	Sauglippen-Set PU	
28	56382739	1	Sauglippen-Set, Gummi, rot	
29		1	Disk Deck Blade Kits	
30	56383488	1	Seitenschürze-Set, Gummi	
31	56383490	1	Seitenschürze-Set, PU	
32	56383489	1	Seitenschürze-Set, Gummi rot	
33		1	Cylindrical Deck Blade Kits	
34	56316194	1	Seitenschürze	
35	56601538	1	Seitenschürzen-Set PU	
36	56601681	1	Seitenschürzen-Set zyl.	
37		1	Accessories	
38	56383571	1	PROGRAMMER-USER	
39	56383572	1	PROGRAMMER CABLE-MOLEX	
40	56044419	1	LITERATURE PACK	[3]
41		1	BA 755 Disk Scrub Brushes (See Brush Selector Guide)	
42	56505800	2	Padhalter 14"	
43	56505195	2	Padverschluss m. Spange	
44	56505805	2	Bürste PPN weich Prolite	
45	56505804	2	Bürste Prolene 14"	
46	56505806	2	Bürste Union Mix	
47	56505803	2	Bürste Sica weich 14"	
48	56505807	2	Bürste Sica weich, Grit 240	
49	56505808	2	Bürste Sica, Grit 180	
50	56505802	2	Bürste Sica mittel, Dyna Grit 360 mm	
51	56505801	2	Bürste Sica hart, Magna Grit 46	
52		1	BA 855 Disk Scrub Brushes (See Brush Selector Guide)	
53	56505780	2	Padhalter 430 mm	
54	56505195	2	Padverschluss m. Spange	
55	56505785	2	Bürste PPN weich 430 mm	
56	56505784	2	Bürste PPN hart 430 mm	
57	56505786	2	Bürste Union Mix 430 mm	
58	56505783	2	Bürste Aglite, weich 400 mm	
59	56505787	2	Bürste Mid Grit 240, 430 mm	
60	56505788	2	Bürste Mid Grit 180	
61	56505782	2	Bürste Dyna Grit, mittel 400 mm	
62	56505781	2	Bürste Magna Grit, hart 400 mm	

Pos.	Artikel-Nr.	Menge	Variante	Notes
63		1	BA 755 Cylindrical Scrub Brushes (See Brush Selector Guide)	
64	56412191	2	Bürstenwalze Nylon, weich, gelb	[4]
65	56412192	2	Bürstenwalze Nylon, hart, Naturborsten	
66	56412046	2	Bürstenwalze PP, rot	
67	56412193	2	Bürstenwalze Sica Grit 180, blau/grau	
68	56412194	2	Walze Sica schwarz BR700C	[4]
69	56412195	2	Walze Sica braun BR 700 C	[4]

## Part Notes:

- [1] - NOTE 2: All disk deck blade kits include all side skirt blades.  
NOTE 3: All cylindrical deck blade kits include all blades necessary.  
NOTE 4: These squeegee blades are designed to provide increased performance and reduced streaking. When installing these blades on a machine built before November 2011 you must also order a new rear strap part number 56382676.
- [2] - NOT FOR SALE VIA EDC
- [3] - PRINT FROM HOMEPAGE
- [4] - COMPLEXITY REDUCTION

We provide brushes and pad holders that will give you the best possible performance between machine and floor. Following are descriptions of the materials and their applications.

- Union Mix:** Medium grade natural fibers for polishing finished floors with standard-speed equipment. Recommended for use in place of white pads.
- ProLite:** Bristles are made from light-duty polypropylene for general scrubbing when you do not want to scratch or remove finish from the floor. Recommended for use in place of red pads.
- Prolene:** Polypropylene material for medium-duty scrubbing on concrete, terrazzo and vinyl floor tile. Recommended for use in place of green or blue pads.
- Magna Grit:** For extreme heavy-duty scrubbing or stripping of floors. This brush has extra large diameter silicon carbide grit impregnated synthetic bristles. Recommended for use in place of black pads.
- Dyna Grit:** For aggressive, heavy-duty scrubbing or stripping of floors. Recommended for use in place of brown pads.
- MidLite Grit:** For general purpose scrubbing of sealed or unsealed concrete, stone, terrazzo, quarry tile and other resilient hard floor surfaces. Recommended for use in place of green or blue pads.
- MidGrit:** For general purpose scrubbing when you need a lighter action for sealed or unsealed concrete, stone, terrazzo, quarry tile and other resilient hard floor surfaces. Recommended for use in place of green or blue pads.
- AgLite Grit:** For light scrubbing when used wet; buffing or polishing when used dry on urethane coated, sealed concrete or other resilient hard surface floors. Recommended for use in place of red or white pads.
- Short Trim Pad Holder:** Made with a structural foam block and center ring for correct pad centering. It has a "shower feed" design for getting solution to the floor.

**BR 755 BRUSHES**

- 56505800 - Short Trim Pad Holder
- 56505195 - Pad Retainer for 56505800
- 56505801 - Magna Grit
- 56505802 - Dyna Grit
- 56505803 - AgLite Grit
- 56505804 - Prolene
- 56505805 - ProLite
- 56505806 - Union Mix
- 56505807 - MidGrit
- 56505808 - MidLite Grit

**BR 855 BRUSHES**

- 56505780 - Short Trim Pad Holder
- 56505195 - Pad Retainer for 56505830
- 56505781 - Magna Grit
- 56505782 - Dyna Grit
- 56505783 - AgLite Grit
- 56505784 - Prolene
- 56505785 - ProLite
- 56505786 - Union Mix
- 56505787 - MidGrit
- 56505788 - MidLite Grit

**DISC BRUSH APPLICATION GUIDE (SUGGESTION ONLY)**

Application	46 Grit	80 Grit	180 Grit	240 Grit	500 Grit	Prolene	ProLite	Union Mix
<b>Stripping:</b>								
Concrete	X	X						
Terrazzo	X	X						
Ceramic/Quarry tile		X						
Vinyl tile		X						
<b>General Scrubbing:</b>								
Concrete	X	X	X	X		X		
Terrazzo			X	X	X	X		
Ceramic/Quarry tile			X	X	X	X		
Marble					X		X	
Vinyl tile			X		X	X		
Raised-rubber tile					X		X	
<b>Polishing:</b>								
Raised Disc Tile								X
Marble								X
Vinyl tile								X



Pos.	Artikel-Nr.	Menge	Variante	Notes
			Pos. 1-10: BR 755 Brushes	
01	56505800	1	Padhalter 14"	
02	56505195	1	Padverschluss m. Spange	[1]
03	56505801	1	Bürste Sica hart, Magna Grit 46	
04	56505802	1	Bürste Sica mittel, Dyna Grit 360 mm	
05	56505803	1	Bürste Sica weich 14"	
06	56505804	1	Bürste Prolene 14"	
07	56505805	1	Bürste PPN weich Prolite	
08	56505806	1	Bürste Union Mix	
09	56505807	1	Bürste Sica weich, Grit 240	
10	56505808	1	Bürste Sica, Grit 180	
			Pos. 11-20: BR 855 Brushes	
11	56505780	1	Padhalter 430 mm	
12	56505195	1	Padverschluss m. Spange	[2]
13	56505781	1	Bürste Magna Grit, hart 400 mm	
14	56505782	1	Bürste Dyna Grit, mittel 400 mm	
15	56505783	1	Bürste Aglite, weich 400 mm	
16	56505784	1	Bürste PPN hart 430 mm	
17	56505785	1	Bürste PPN weich 430 mm	
18	56505786	1	Bürste Union Mix 430 mm	
19	56505787	1	Bürste Mid Grit 240, 430 mm	
20	56505788	1	Bürste Mid Grit 180	

## Part Notes:

- [1] - PAD RETAINER FOR 56505800  
 [2] - PAD RETAINER FOR 56505830

We provide brushes and pad holders that will give you the best possible performance between machine and floor. Following are descriptions of the materials and their applications.

- 46 Grit Brush: Most aggressive grit brush. Used primarily to clean heavy buildup on concrete floors in factories, or for heavy stripping of finish.
- 80 Grit Brush: Medium aggressive grit brush. Good all-around brush for medium to heavy buildup removal. Can also be used for general stripping operations.
- 180 Grit Brush: Least aggressive grit brush. Used for daily cleaning of hard-finished floors.
- Polypropylene Brush: Standard equipment brush. Low cost, yet effective in cleaning many common floor surfaces.
- Stiff Nylon Brush: Cleaning action similar to polypropylene. More durable and wear-resistant than polypropylene.
- Soft Nylon Brush: Least aggressive brush available. Used on soft-finish floors where a more aggressive brush would leave scratch marks, or in applications requiring very light cleaning.

**BR 755 BRUSHES**

- 56412191 - Soft Nylon
- 56412192 - Hard Nylon
- 56412046 - Prolene
- 56412193 - 180 Grit
- 56412194 - 80 Grit
- 56412195 - 46 Grit

**CYLINDRICAL BRUSH APPLICATION GUIDE (SUGGESTION ONLY)**

Application	46 Grit	80 Grit	180 Grit	Polypropylene	Stiff Nylon	Soft Nylon
<b>Stripping:</b>						
Concrete	X	X				
Terrazzo	X	X				
Ceramic/Quarry tile		X				
Vinyl tile		X				
<b>General Scrubbing:</b>						
Concrete	X	X	X	X	X	
Terrazzo			X	X	X	X
Ceramic/Quarry tile			X	X	X	X
Marble			X		X	X
Vinyl tile			X	X	X	X
Raised-rubber tile			X			X

---

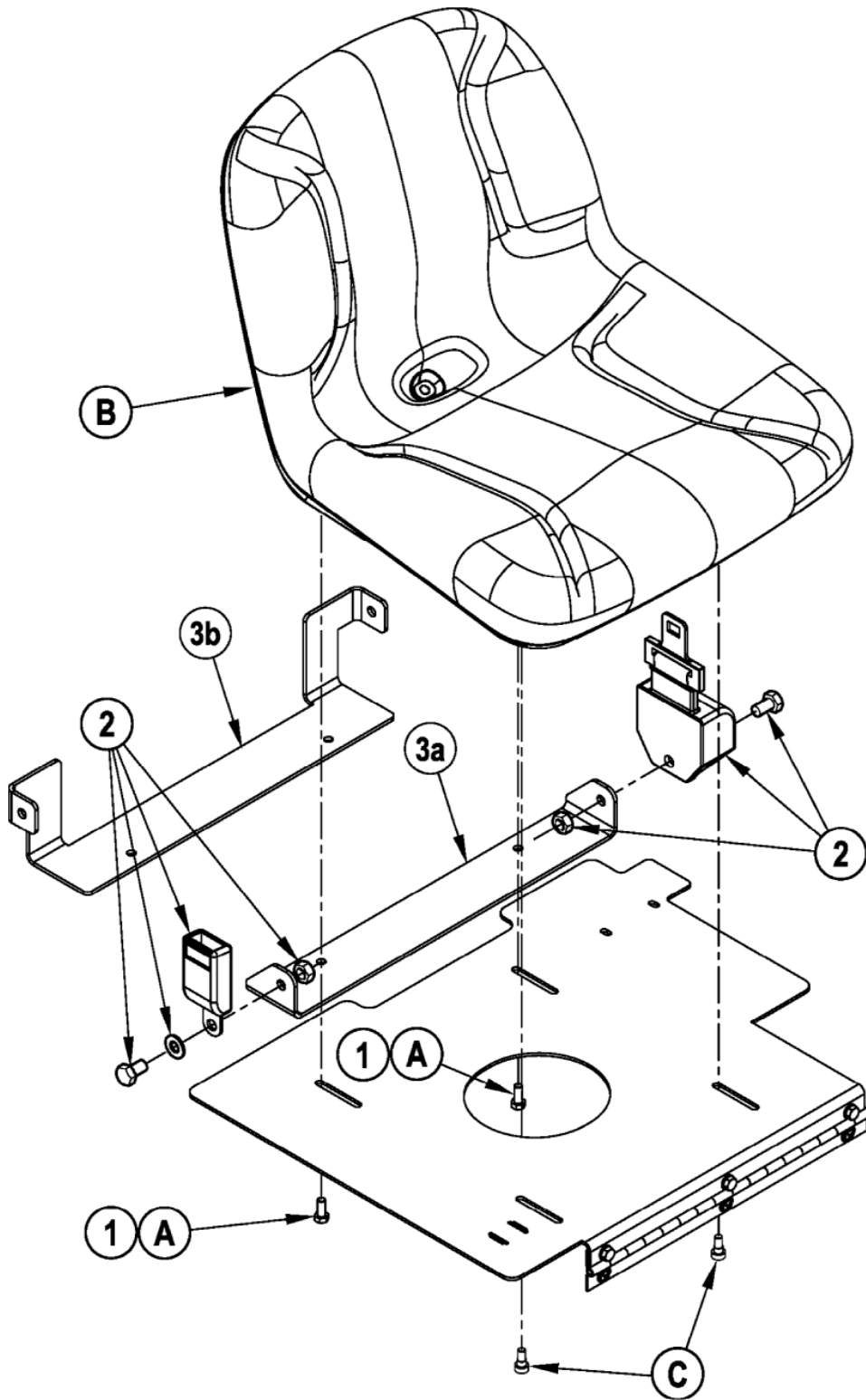
Pos.	Artikel-Nr.	Menge	Variante	Notes
01	56412191	1	Bürstenwalze Nylon, weich, gelb	[1]
02	56412192	1	Bürstenwalze Nylon, hart, Naturborsten	
03	56412046	1	Bürstenwalze PP, rot	
04	56412193	1	Bürstenwalze Sica Grit 180, blau/grau	
05	56412194	1	Walze Sica schwarz BR700C	[1]
06	56412195	1	Walze Sica braun BR 700 C	[1]

## Part Notes:

[1] - COMPLEXITY REDUCTION



Pos.	Artikel-Nr.	Menge	Variante	Notes
	56507644	1	CIRCUIT BREAKER 10 AMP	
	56385084	1	Fahrpedal komplett	
	56601077	1	SPINDLE WELDT	
	56601171	1	Batteriestecker	
	56601271	1	KNOB 5/16 STUD	
	56314580	1	Kugellager	
	56316089	1	Abweisrolle	
	56601125	1	Filter	
	56601533	1	MOTOVARIO GEARBOX	
	56601061	1	SPEED CONTROL	
	56601134	1	Bürstenmotor	
	56601537	1	BALL BEARING OUTPUT SIDE	
	56384462	1	INTERFACE PANEL ASSY	
	56601183	1	CONTACTOR 24V 100 AMP	
	56396268	1	Führung f. Feder	
	56379139	1	Schlauch PVC .750x30	
	7-82-00050	1	Sitzschalter BR 1300 S	
	56601488	1	Saugturbine	
	56601535	1	Keil	
	56601076	1	Tank	
	56601495	1	Befestigung Vorne D	
	56261265	1	Plastikrohr	
	56601489	1	Befestigungsschiene	
	56601591	1	Befestigungsschiene	
	56601037	1	WELDT-SQUEEGEE MOUNT	
	56601060	1	STEERING WHEEL	
	56601593	1	Halteschiene Saugfuss	
	56114185	1	Deckeldichtung für Schmutzwassertank	
	56315061	1	Motor 24V 5HP	
	56601534	1	CARBON BRUSH	
	56601096	1	Bedienfeld - Kit	
	56601536	1	MOTOR FAN	
	56601508	1	PLASTIC COVER	
	56601136	1	Saugschlauch BR 855	
	56601050	1	MOTOR DRIVE WHEEL	
	56510442	1	Schraubverschluß	
	56409485	1	CABLE ASSY.1 X 15.00	
	56382693	1	Rad	
	56601172	1	Stecker ASM	
	56601594	1	Wasserfilter	
	56009062	1	Schraube	
00	56344172	1	TUBE PRESSURE SENSING W/ELBOW	
00	56382739	1	Sauglippen-Set, Gummi, rot	
00	56601449	1	Absaugleiste Kompl.	
00	56115344	1	IDLER END ASSY	
00	56412179	1	CONTACTOR 24 VDC	
00	56112553	1	HOSE	
00	56382740	1	Sauglippen-Set PU	

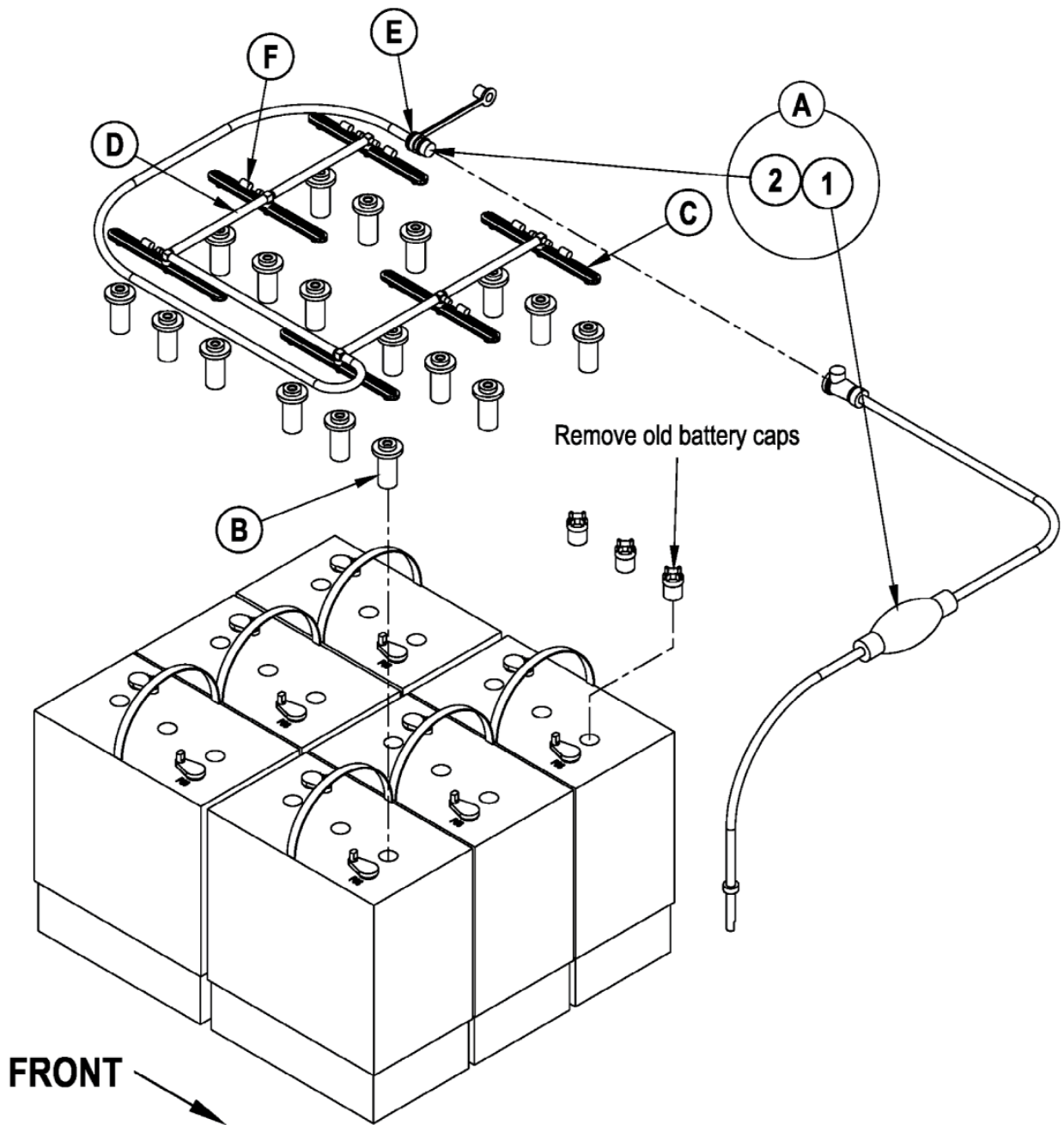


---

Pos.	Artikel-Nr.	Menge	Variante	Notes
00	56422162	1	Sicherheitsgurt	
01	56003179	2	Schraube HEX THD/HD M8-1,	
02	56314962	1	SEAT BELT KIT	[1]
03A	56422160	1	BRACKET SEAT BELT	[2]
03B	56422160	1	BRACKET SEAT BELT	[3]

## Part Notes:

- [1] - INCLUDES HARDWARE
- [2] - FOR 56314312
- [3] - FOR 56422162



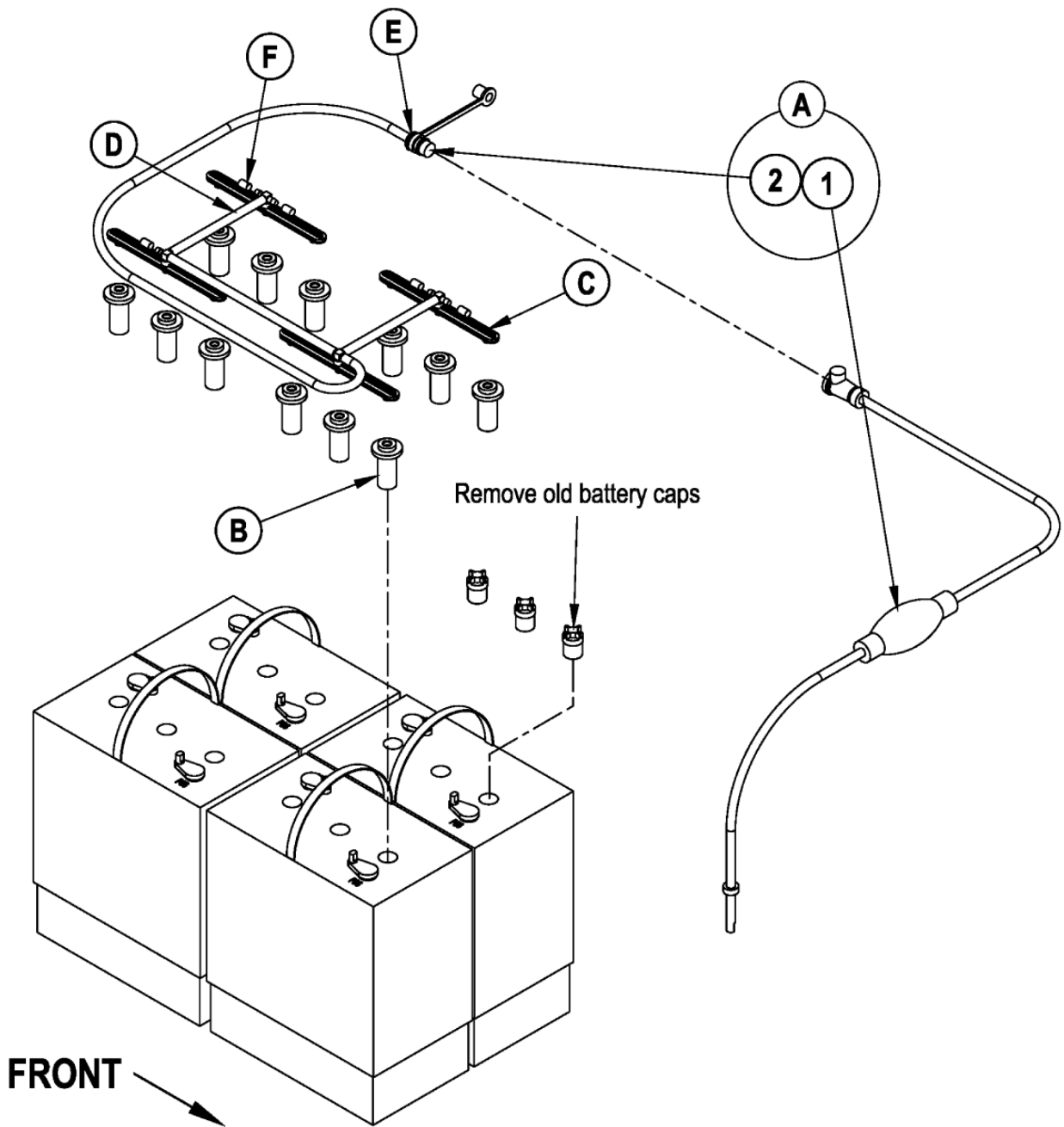


---

Pos.	Artikel-Nr.	Menge	Variante	Notes
	56601527	1	KIT BATTERY WATERING	[1]
	56314981	1	Befüllungssystem-Kit 36V	
01	56314978	1	WATER PUMP	
02	56601525	1	MANIFOLD ASSEMBLY	
02	56314979	1	MANIFOLDS BATTERY WATERING	
0A	56314981	1	Befüllungssystem-Kit 36V	[2]
0B	56601526	1	SYSTEM BATTERY WATERING	[3]

## Part Notes:

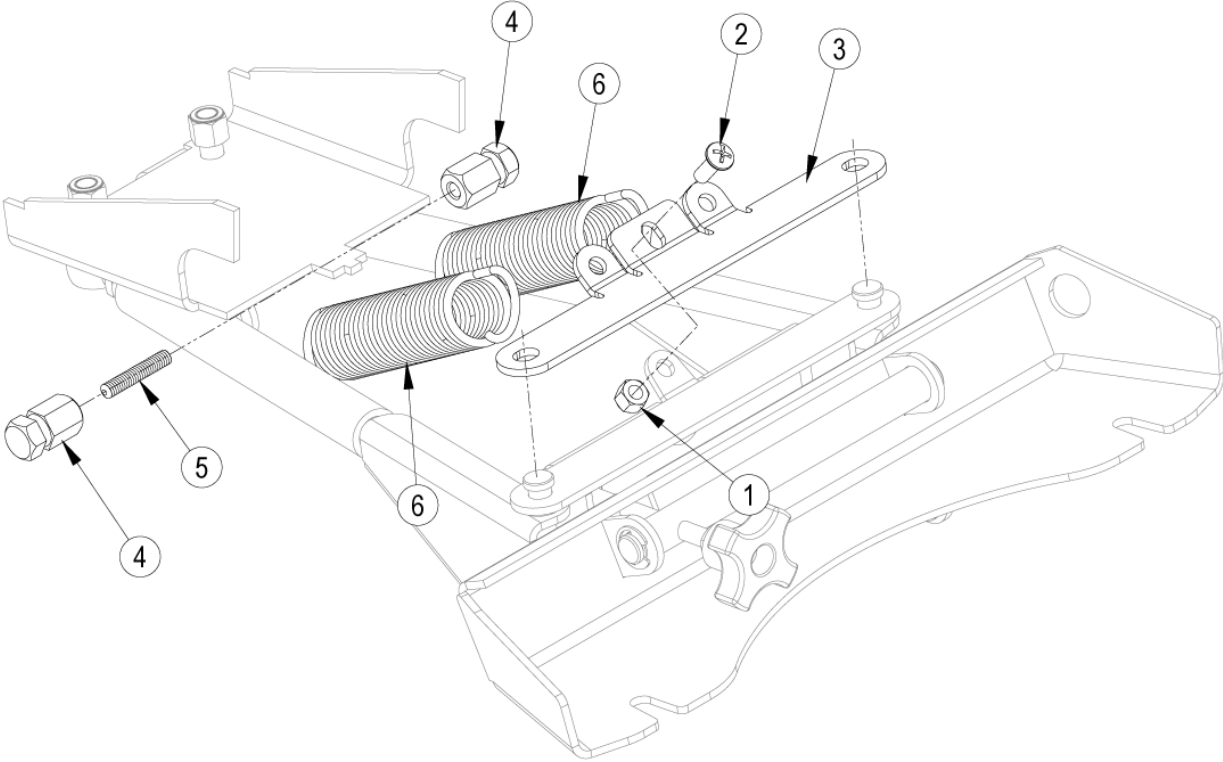
- [1] - NOT FOR SALE VIA EDC
- [2] - FOR 56314981
- [3] - FOR 56601527



Pos.	Artikel-Nr.	Menge	Variante	Notes
	56601527	1	KIT BATTERY WATERING	[1]
	56314981	1	Befüllungssystem-Kit 36V	
01	56314978	1	WATER PUMP	
02	56601525	1	MANIFOLD ASSEMBLY	
02	56314979	1	MANIFOLDS BATTERY WATERING	
0A	56314974	1	SYSTEM BATTERY WATERING	[2]
0B	56601526	1	SYSTEM BATTERY WATERING	[3]

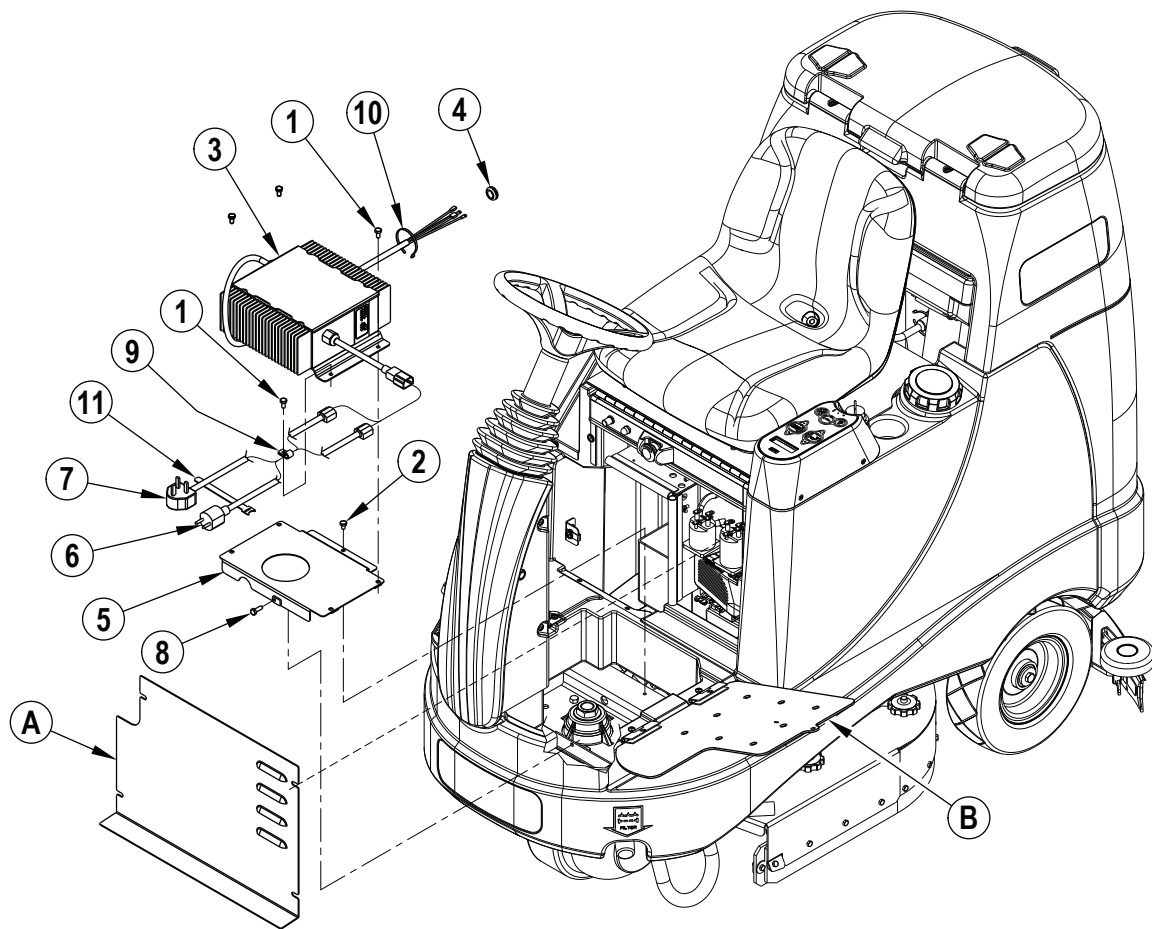
## Part Notes:

- [1] - NOT FOR SALE VIA EDC
- [2] - FOR 56314981  
NON-SALEABLE USE 56314981
- [3] - FOR 56601527



---

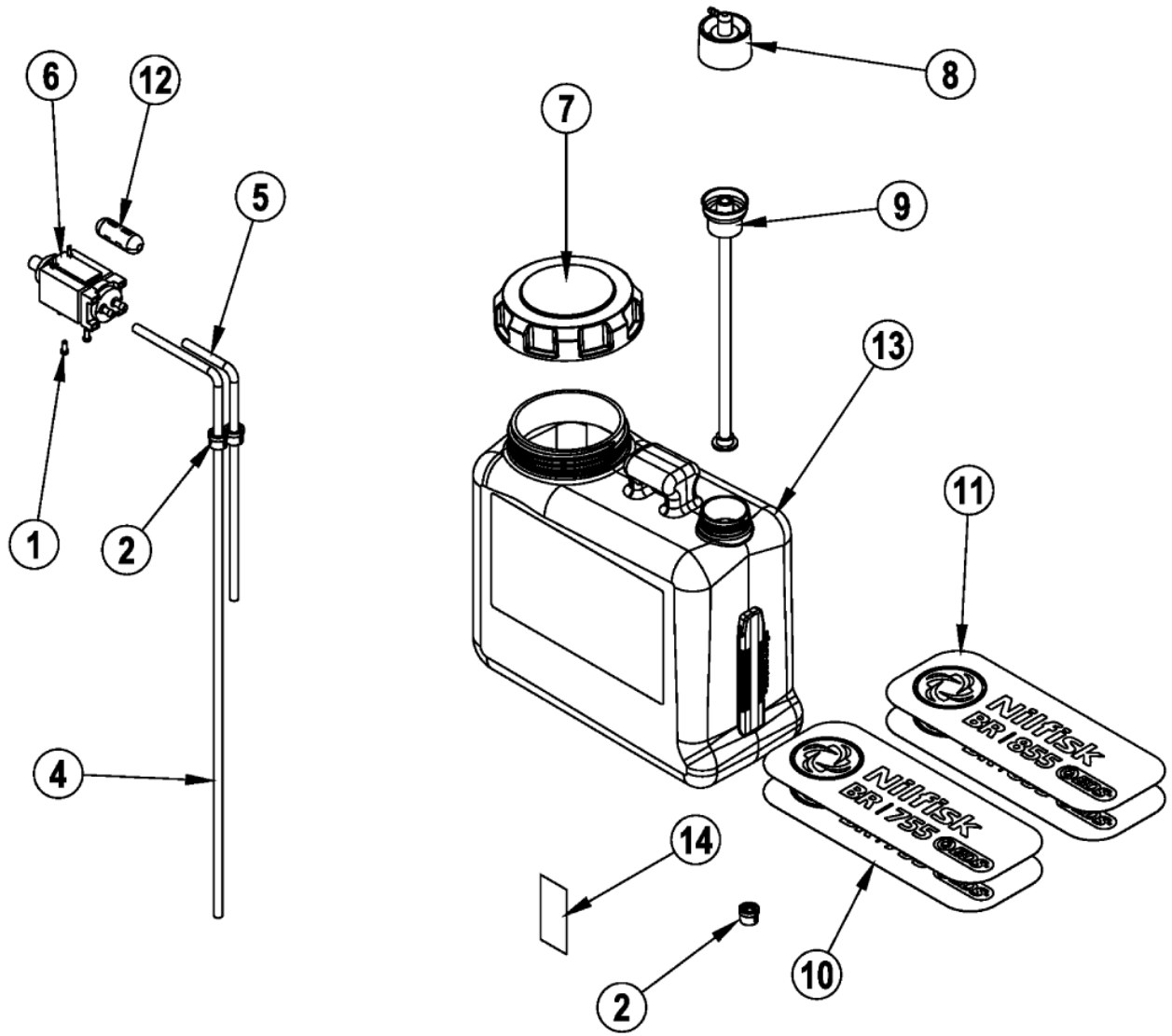
Pos.	Artikel-Nr.	Menge	Variante	Notes
	56382635	1	Grundplatte für Feder	
01	56002491	1	Stopmutter 1/4-20	
02	56002957	1	Schraube SS 1/4 - 20 X	
03	56382623	1	Federträger	
04	56382624	2	Feder Mutter	
05	56382637	1	Gewindestange	
06	56412216	2	Zugfeder	



Pos.	Artikel-Nr.	Menge	Variante	Notes
	56601080	1	Einbauladegerät	[1]
1	56001854	4	SCHRAUBE HEX HD1/4-20X.50	
2	56009019	1	Schraube 1/4-20x.38	
3	56315124	1	Einbauladegerät 24V	
4	56157376	1	GROMMET 1 OD X 9/16 ID X 5/	
5	56601417	1	CHARGER MOUNT BRACKET	
6	56383388	1	Ladekabel	
7	56383389	1	CORD-CHARGER UK	
8	56001836	1	Schraube 1/4-20x0.62	
9	56172017	1	P-CLIP E00129	
10	56478246	1	CABLE TIE E00549 RE438BA	
11	56384755	1	VELCRO STRAP	

## Part Notes:

[1] - IS56040990. On Board Charger Kit EU. PN-56601080

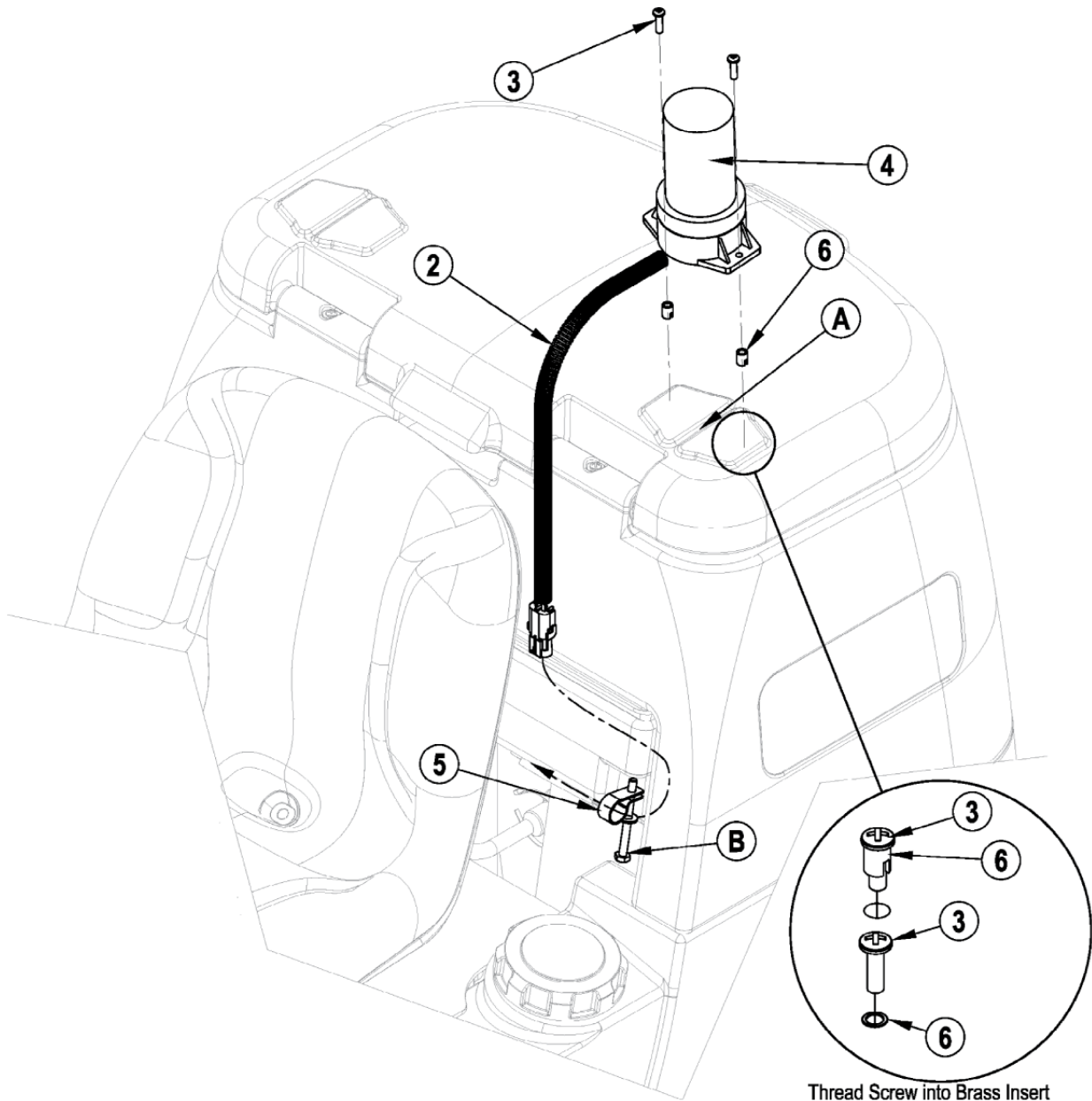




---

Pos.	Artikel-Nr.	Menge	Variante	Notes
	56601082	1	Ecoflex-Set	
01	56002539	2	SCR PAN PHIL TD FORM 6-32 X.31	
02	56003699	3	Ablafschraube 1/4	
04	56314942	1	Schlauch	
05	56314991	1	Schlauch 14,	
06	56315241	1	EDS Pumpe	
07	9100001817	1	CAP PLASTIC F CHEMICAL TANK SIP	
08	56315523	1	Deckel EDS-Schwimmer	
09	56315527	1	Buchseneinsatz EDSzu BA 551	
10	56601306	2	Aufkleber - ECOFLEX	
11	56601308	2	Aufkleber	
12	56601514	1	FERRITE BEAD	
13	56601544	1	Tank für Ecoflex	
14	56016331	1	DECAL CHEMICAL RATIO	

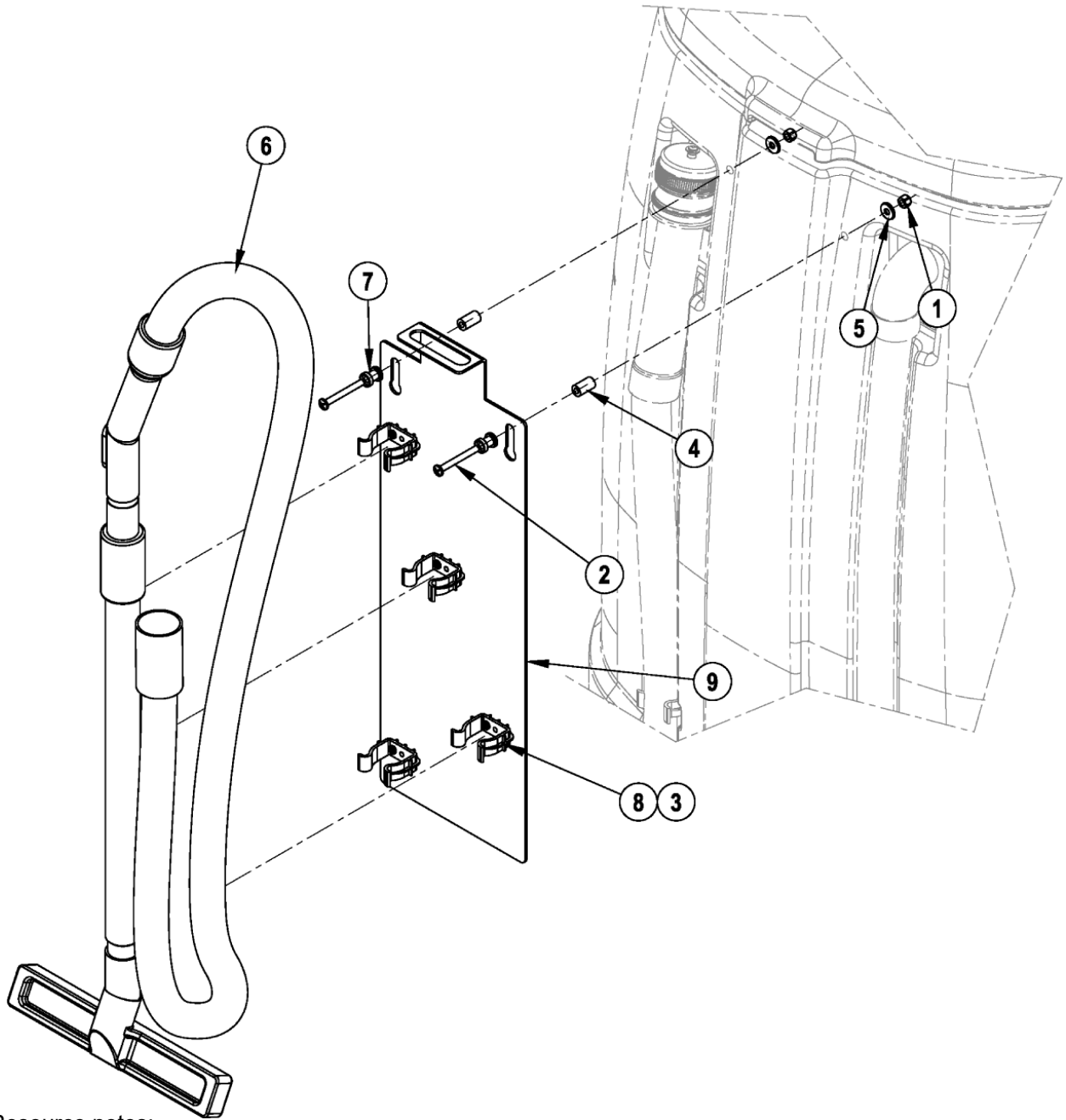
---



Thread Screw into Brass Insert  
and then thread the Insert into the  
tank lid until flush. Remove the Screw.

---

Pos.	Artikel-Nr.	Menge	Variante	Notes
	56601085	1	Blitzlampe	
02	56459883	1	CONDUIT	
03	56002896	2	Schraube SS10-24X0	
04	56307166	1	Rundumleuchte	
05	56486112	1	Kabelklammer	
06	56249946	2	INSERT BRASS FL150S	

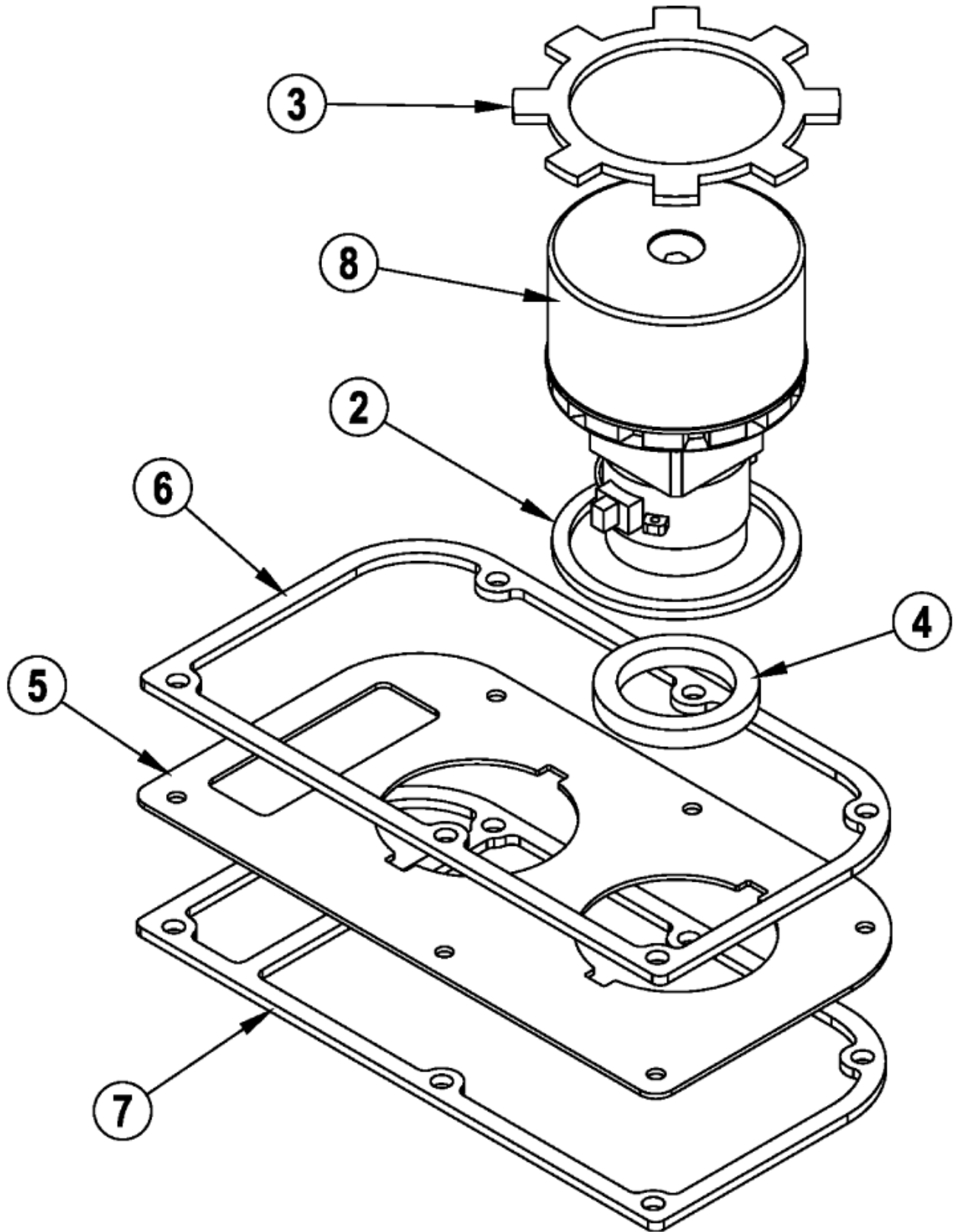


Resource notes:

NOTE: Items (3, 8 & 9) are preassembled.

---

Pos.	Artikel-Nr.	Menge	Variante	Notes
	56601087	1	Handsaugset	
1	56002708	2	Stopmutter 1/4-20	
2	56002788	2	Schraube PAN PHIL 1/4-20x	
3	56009029	8	SCR PANPHIL THD FORM10-24	
4	56052237	2	SPACER PHEN .250X.500X.875	
5	56201047	2	WSH SEALINE SS 5/16	
6	56315309	1	SCRUB/VAC WAND HOSE	
7	56315311	2	SPACER STEPPED	
8	56407361	4	Plastikklammer zu BR 850	
9	56601458	1	BRACKET WAND KIT	

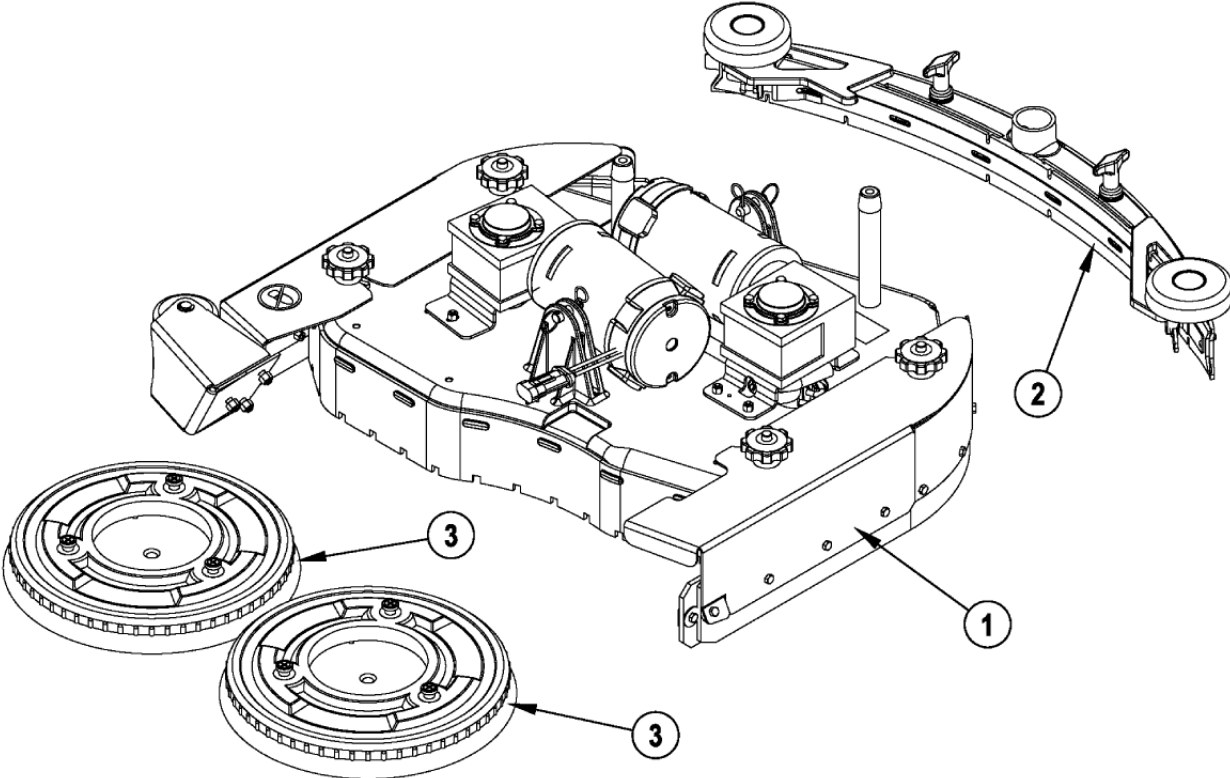


---

Pos.	Artikel-Nr.	Menge	Variante	Notes
0	56601090	1	Saugmotor	
2	56212143	2	GASKET VACUUM DUCT	
3	56264103	1	GASKET VAC MOTOR	
4	56314760	1	Dichtung	
5	56601122	1	PLATE VAC	
6	56601126	1	GASKET EXHAUST	
7	56601127	1	GASKET VAC	
8	56601488	1	Saugturbine	[1]

## Part Notes:

[1] - 56601090



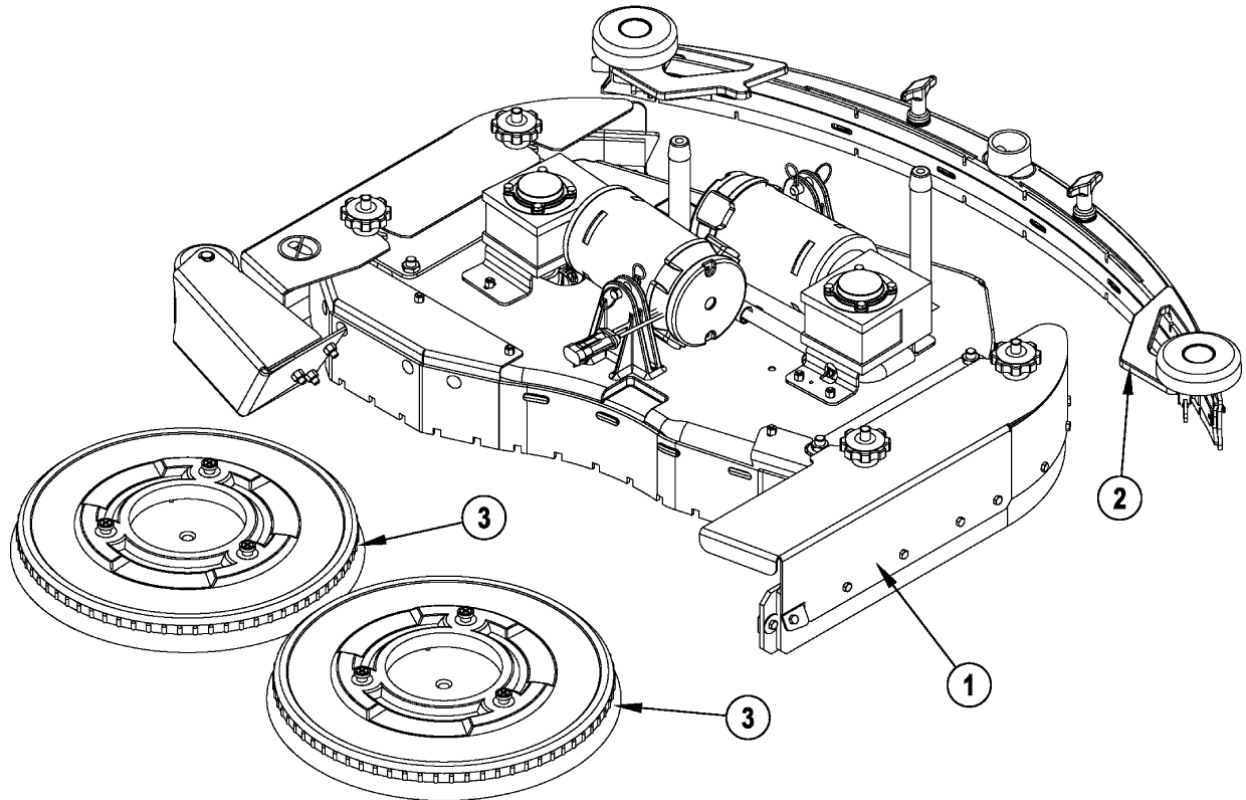


---

Pos.	Artikel-Nr.	Menge	Variante	Notes
	56601700	1	Bürstendeck-Set 28"	
01		1	28" DISK DECK SYSTEM - NOT AVAILABLE	[1]
02	56601449	1	Absaugleiste Kompl.	
03	56505800	2	Padhalter 14"	

## Part Notes:

[1] - 28" DISK DECK SYSTEM - NOT AVAILABLE

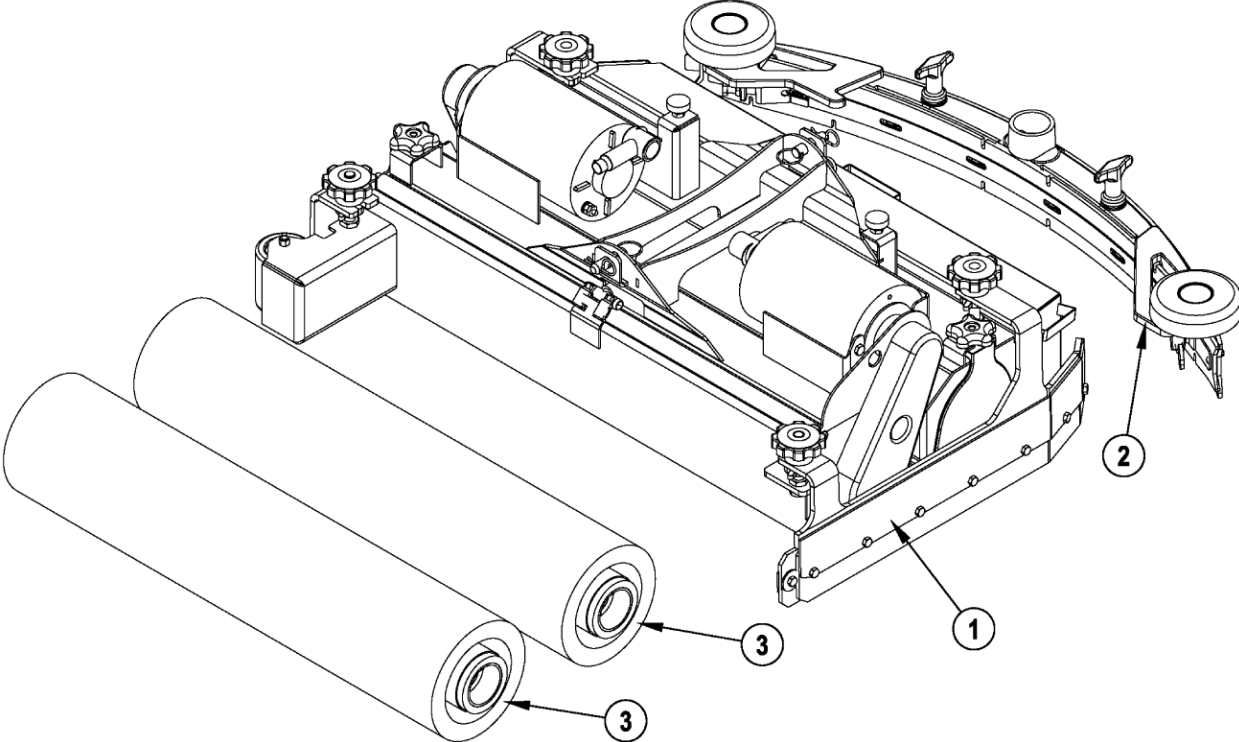


---

Pos.	Artikel-Nr.	Menge	Variante	Notes
00	56601701	1	Bürstendeck-Set 34"	
01		1	34" DISK DECK SYSTEM - NOT AVAILABLE	[1]
02	56601454	1	Absaugleiste	[2]
03	56505780	2	Padhalter 430 mm	

## Part Notes:

- [1] - 34" DISK DECK SYSTEM - NOT AVAILABLE
- [2] - 56601547

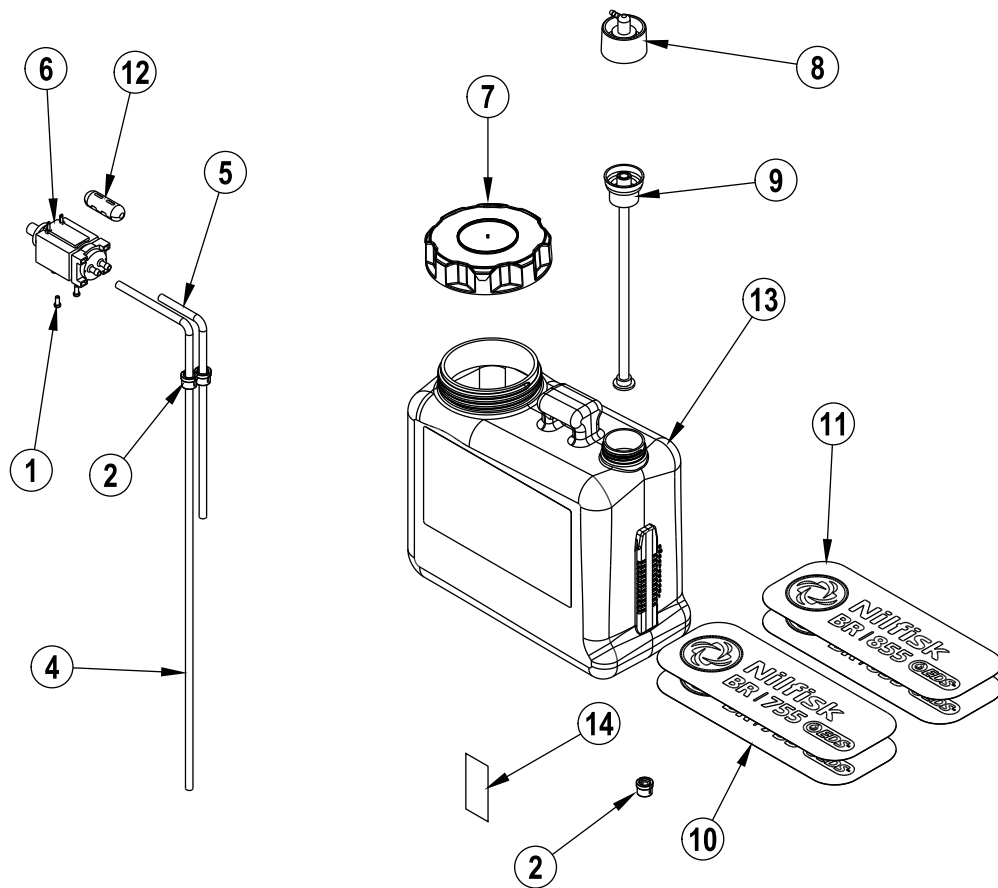


---

Pos.	Artikel-Nr.	Menge	Variante	Notes
00	56601756	1	Walzendeck 28"	
01		1	28" CYLINDRICAL DECK SYSTEM - NOT AVAILABLE	[1]
02	56601449	1	Absaugleiste Kompl.	
03	56412046	2	Bürstenwalze PP, rot	

## Part Notes:

[1] - 28" CYLINDRICAL DECK SYSTEM - NOT AVAILABLE



Pos.	Artikel-Nr.	Menge	Variante	Notes
0	56601082	1	Ecoflex-Set	
1	56002539	2	SCR PAN PHIL TD FORM 6-32 X.31	
2	56003699	3	Ablaßschraube 1/4	
[3]	56040982	1	INSTRUCTION SHEET	[1]
4	56314942	1	Schlauch	
5	56314991	1	Schlauch 14,	
6	56315241	1	EDS Pumpe	
7	9100001817	1	CAP PLASTIC F CHEMICAL TANK SIP	
8	56315523	1	Deckel EDS-Schwimmer	
9	56315527	1	Buchseneinsatz EDSzu BA 551	
10	56601306	2	Aufkleber - ECOFLEX	
11	56601308	2	Aufkleber	
12	56601514	1	FERRITE BEAD	
13	56601544	1	Tank für Ecoflex	
14	56016331	1	DECAL CHEMICAL RATIO	

## Part Notes:

[1] - PRINT FROM HOMEPAGE

