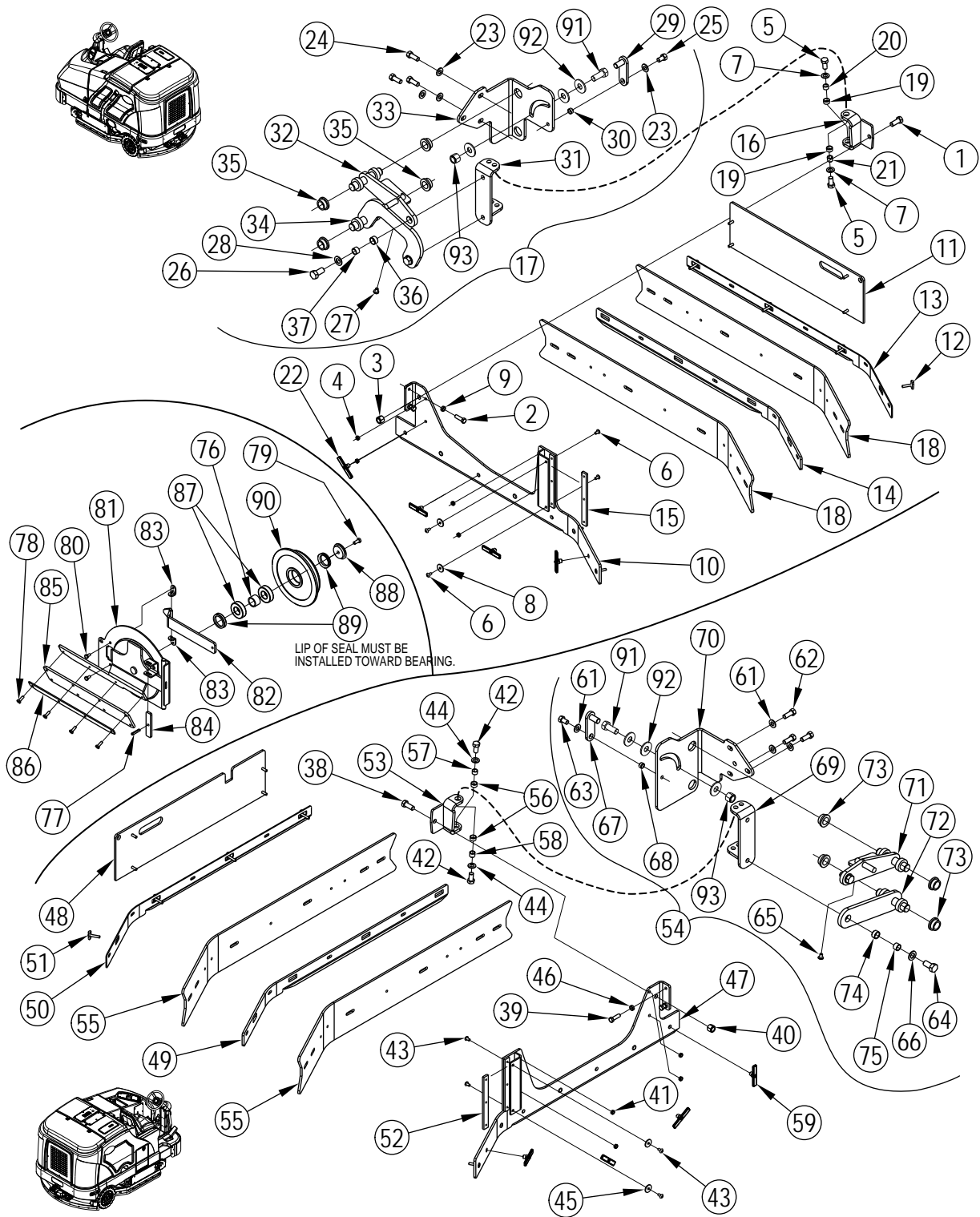


Pos.	Artikel-Nr.	Menge	Variante	Notes
1	56365068	2	SPRING EXT .62X2.50CA333G	
2	56449221	2	DAEMPFER	
3	56003302	1	Schraube 5/16-18	
4	56003047	7	SCR HEX SS 1/4-20 X .62	
5	56002801	10	SCR HEX SS 1/4-20 X .50	
6	56002938	1	WSH FLT SAE SS 5/16	
7	56003495	4	SCR HEX S.S. 1/2-13 X 1.5	
8	56002888	2	SCR HEX HD SS 1/2-13X1 75	
9	56002910	4	"Scheibe 3/8""	
10	56002800	4	SCR HEX SS 3/8-16 X 2.00	
11	56002883	3	Schraube SS1/4-20x75	
12	56002859	2	Mutter SS 1/4	
13	56002491	4	Stopmutter 1/4-20	
14	56003219	4	Mutter Zoll LOC SS 3/8 16	
15	56002846	2	NUT HEX NYL LOC SS 1/2-13	
16	56002850	12	NUT HEX NYL LOC-THIN SS	
17	56002854	4	NUT HEX NYL LOC-THIN SS 1/2-13	
18	56003924	2	NUT-HEX NYL LOC SS 5/8-18	
20	56003925	3	SCR-HEX LOC SS 5/16-18 X .75	
21	56003926	2	SCR-HEX SS 1/2-13 X 2.00	
22	56002935	6	SCR HEX LOC SS 1/4-20 X .5	
23	56003045	2	SCR HEX SS 5/8-18 X 1.50	[1]
24	56003086	4	SCR FLT PHIL SS 1/4-20X .88	
25	56003120	2	Vorstecker	
26	56003138	2	PIN SPR .25 X .75	
27	56003222	6	"Splint 0.125"" x 0.5""	
28	56003620	1	Bolzen	
29	56003728	1	Gabelstift 500x1,75	
30	56009003	2	Unterlagsscheibe	
31	56003927	2	NUT-HEX JAM SS 1/2-13	
32	56009017	8	WSH FLT HARDEN 516x938x75	
33	56009141	1	Mutter HEX JAM SS 5/16-18	
34	56003145	3	Nut 1/4 20	
34	56009087	3	Muter Hexsam 1/4-20	
35	56111933	1	BRUSH HOUSING WELDT	
36	56110338	8	Lagerflansch	
37	56110349	1	Kehrgutbehälter	
38	56110514	2	Gleitstück	
39	56110752	2	Walzenlager Baugruppe	
40	56110757	1	HINGE TOP	
41	56111926	2	ARM-BRUSH HSG	
42	56110952	1	TRAY HANGER ASSY	
43	56110971	1	Riegel	
44	56111108	1	Riegel	
45	56111927	1	DIVERTER WELDT	
46	56111928	2	BRACKET-BRUSH HSG	
47	56111666	1	HINGE LEFT	
48	56111738	1	Randleiste rechts	
49	56111740	1	Seitenschürzenkit, links	
50	56111751	1	Blende	
51	56111759	2	SKID	
52	56111784	2	Buchse	
53	56111929	1	SHIELD-TROUGH	
54	56111930	1	PLATE	
55	56111790	1	Auflageschiene	
56	56111932	1	STRAP	
57	56303285	2	Lager, Fl .500x.375x.250	
58	56304519	4	Lager, Fl .625x.500x.375	
59	56111931	2	ARM-PARALLEL 7.5IN	

Pos.	Artikel-Nr.	Menge	Variante	Notes
60	56367206	2	BUCHSE	
61	56413211	2	Lagerflansche	
62	56440817	2	"Knopf 1.00 x 1/4 ""	
63	8-33-09046-1	2	Nabe	
64	8-58-05160	2	Sicherungsplatte, Antrieb	
65	56002904	6	SCR HEX SS 1/2-13 X 1.25	
66	56002854	6	NUT HEX NYL LOC-THIN SS 1/2-13	
67	56002887	4	SCR HEX SS 1/2-13 X 1.00	
68	56009017	8	WSH FLT HARDEN 516x938x75	
69	56110338	4	Lagerflansch	
70	56111917	1	TRAY HANGER WELDT	
71	56111918	1	TRAY HANGER WELDT	
72	56111919	2	LEVER	
73	56304893	4	Kunststoffbuchse	
74	56360627	2	Büchse	
75	56365030	2	BUSHING CA334D	
76	56367206	4	BUCHSE	
77	56419120	2	CLAMP HOSE SUPPORT 56E00616	
78	2-00-03702	1	Flachscheibe	[2]

Part Notes:

- [1] - EXPIRED 11/11/11
- [2] - EXPIRED USE 56002098



SCRUB SYSTEM - SIDE SKIRT ASSEMBLIES

SC8000 1300 D NIL

2015.05.19

2017.09.05

Pos.	Artikel-Nr.	Menge	Variante	Notes
	56111738	1	Randleiste rechts	[1]
1	56002904	1	SCR HEX SS 1/2-13 X 1.25	
2	56002881	2	SCR HEX SS 3/8-16 X 1.25	[2]
3	56002846	1	NUT HEX NYL LOC SS 1/2-13	
4	56002840	4	Nut 1/4 20	
5	56003835	2	SCR-HEX LOC SS 1/2-13 X 1.0	
6	56003790	4	SCR PAN PHI SS TA 1/4-10 X .50	
7	56009017	2	WSH FLT HARDEN 516x938x75	
8	56009060	2	SCHEIBE-U	
9	56003015	2	NUT H EX JAM SS 5/16-18X2,25	
10	56111920	1	SKIRT WELDT-RT	
11	56111921	1	COVER-RIGHT SKIRT	
12	56111433	4	Pin	
13	56111453	1	STRAP SKIRT-RT	
14	56111922	1	STRAP-SKIRT RT	
15	56111599	2	SLIDE	
16	56111647	1	Scharnier, rechts	
17	56111739	1	SKIRT ARM ASSY-RT	[3]
18	56111206	1	Haupt Absaugleisten-Set, Gummi, rot	
	56111207	1	Haupt Absaugleisten-Set, Gummi	[4]
	56111210	1	Haupt Absaugleisten-Set PU	[4]
19	56305553	2	Lager .719 x .625 x .375	
20	56360627	1	Büchse	
21	56367206	1	BUCHSE	
22	56413717	4	Spezial Mutter BR 1300SC	
23	56002910	4	"Scheibe 3/8""	
24	56002914	3	WSH FLT STD SS 1/4	
25	56003952	1	SCR-HEX LOC SS 3/8-16 X .62	
26	56003835	2	SCR-HEX LOC SS 1/2-13 X 1.0	
27	56003603	1	Schraube 1/4-2 OX.38	
28	56009017	2	WSH FLT HARDEN 516x938x75	
29	56110942	1	PROP WELDT	
30	56110945	1	BUSHING .385X.500X.270	
31	56111644	1	Scharnier	
32	56111744	1	UPPER RT ARM WELDT	
33	56111913	1	BRACKET-SKIRT RT	
34	56111828	1	LOWER ARM WELDT	
35	56303024	4	Lager, FI 1.000x.750x.500	
36	56305553	2	Lager .719 x .625 x .375	
37	56360627	2	Büchse	
	56111740	1	Seitenschürzenkit, links	[5]
38	56002904	1	SCR HEX SS 1/2-13 X 1.25	
39	56002881	2	SCR HEX SS 3/8-16 X 1.25	[2]
40	56002846	1	NUT HEX NYL LOC SS 1/2-13	
41	56002840	4	Nut 1/4 20	
42	56003835	2	SCR-HEX LOC SS 1/2-13 X 1.0	
43	56003119	4	SCR PAN PHIL SS 1/4 20 X .50.	
44	56009017	2	WSH FLT HARDEN 516x938x75	
45	56002859	2	Mutter SS 1/4	
46	56003015	2	NUT H EX JAM SS 5/16-18X2,25	
47	56111923	1	SKIRT WELDT-LT	
48	56111924	1	COVER-LEFT SKIRT	
49	56111925	1	STRAP-SKIRT LT	
50	56111431	1	Befestigungsschiene	
51	56111433	4	Pin	
52	56111599	2	SLIDE	
53	56111648	1	Scharnier, links	
54	56111741	1	Hebel f.Seitenschürzenkit	[6]
55	56111206	1	Haupt Absaugleisten-Set, Gummi, rot	

SCRUB SYSTEM - SIDE SKIRT ASSEMBLIES

SC8000 1300 D NIL

2015.05.19

2017.09.05

Pos.	Artikel-Nr.	Menge	Variante	Notes
	56111207	1	Haupt Absaugleisten-Set, Gummi	
	56111210	1	Haupt Absaugleisten-Set PU	
56	56305553	2	Lager .719 x .625 x .375	
57	56360627	1	Büchse	
58	56367206	1	BUCHSE	
59	56413717	4	Spezial Mutter BR 1300SC	
61	56002910	4	"Scheibe 3/8""	
62	56003914	3	SCR-HEX LOC SS 3/8-16 X 1.00	
63	56003952	1	SCR-HEX LOC SS 3/8-16 X .62	
64	56003835	2	SCR-HEX LOC SS 1/2-13 X 1.0	
65	56003603	1	Schraube 1/4-2 OX.38	
66	56009017	2	WSH FLT HARDEN 516x938x75	
67	56110942	1	PROP WELDT	
68	56110945	1	BUSHING .385X.500X.270	
69	56111644	1	Scharnier	
70	56111912	1	BRACKET SKIRT-LT	
71	56111745	1	UPPER LT ARM WELDT	
72	56111747	1	LOWER ARM WELDT	
73	56303024	4	Lager, FI 1.000x.750x.500	
74	56305553	2	Lager .719 x .625 x .375	
75	56360627	2	Büchse	
	56110752	1	Walzenlager Baugruppe	[7]
76	56479434	1	Distanzring CR 1200	
77	56002056	1	PIN SPR .25 X 1.25	
78	56002807	4	Schraube Zoll	
79	56002956	1	Schraube HEX LOC 5/16-18	
80	56009033	2	Schraube 1/4-20X1 2HP 5	
81	56111916	1	BRUSH IDLER WELDT	
82	56110799	1	LEVER WELDMENT	
83	56110803	2	HINGE	
84	56110804	1	LATCH	
85	56111206	1	Haupt Absaugleisten-Set, Gummi, rot	
	56111207	1	Haupt Absaugleisten-Set, Gummi	
86	56111914	1	STRAP-INNER BLADE	
87	56111531	2	Kugellager	
88	56111792	1	WASHER STEP	
89	56111793	2	Lagerabdichtung	
90	56111915	1	HUB-IDLER	
91	56002904	1	SCR HEX SS 1/2-13 X 1.25	[8]
92	56002892	3	WSH FLT STD SS 1/2	[9]
93	56002846	1	NUT HEX NYL LOC SS 1/2-13	[8]

Part Notes:

- [1] - (items 1-22)
- [2] - EXPIRED ON 11/10/11
- [3] - (items 23-37, 91-93)
- [4] - Side Skirt Blade Kits include 4 side skirt blades (2 for each side skirt) plus 2 splash shield blades (1 for each end of the scrub deck).
- [5] - (items 38-59)
- [6] - (items 61-75, 91-93)
- [7] - (items 76-90)
- [8] - Quantities are per skirt arm assembly.
- [9] - EXPIRED 20.03.12

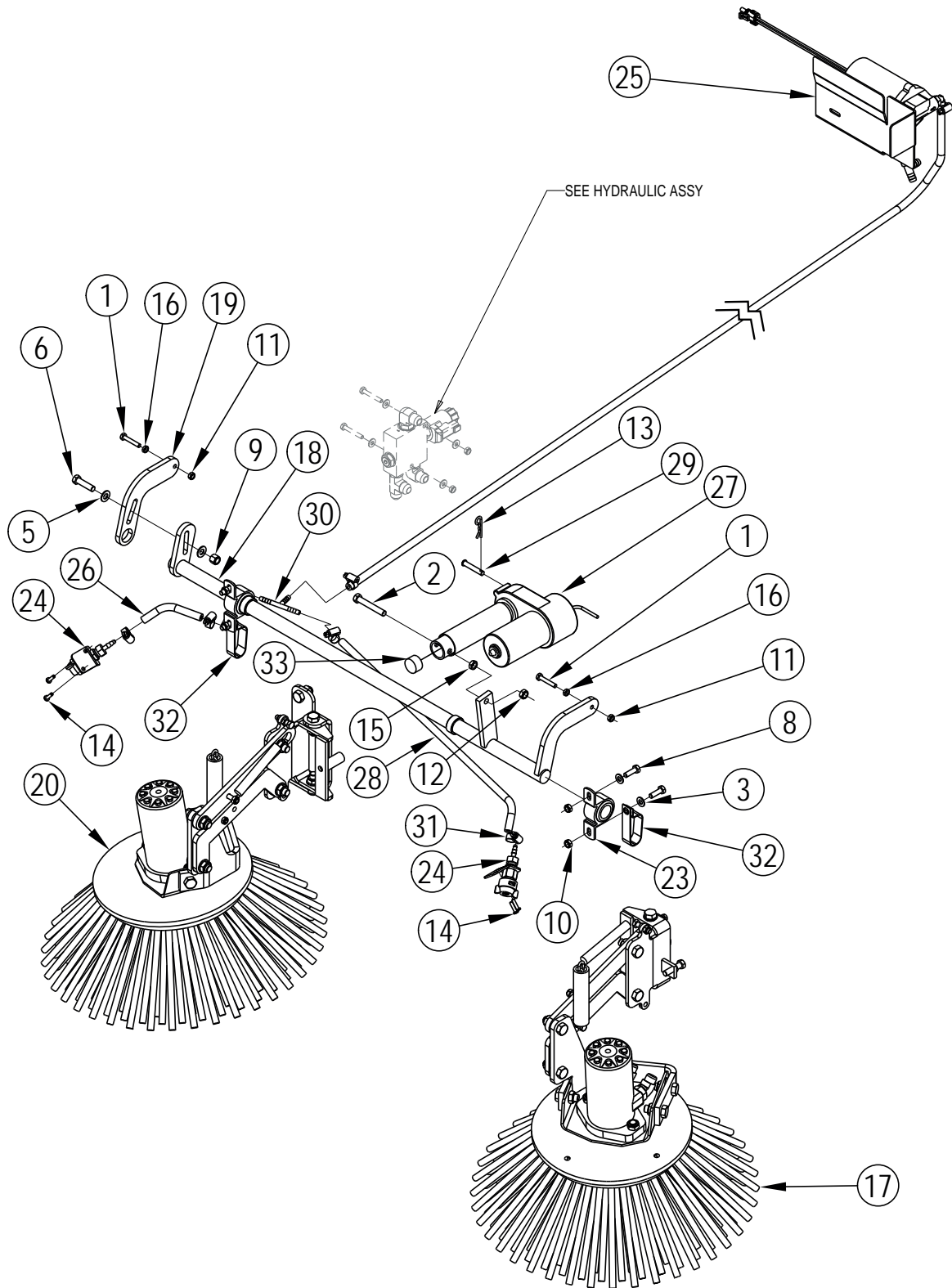
Quantities are per skirt arm assembly.

SIDE BROOM SYSTEM - DUAL

SC8000 1300 D NIL

2015.05.19

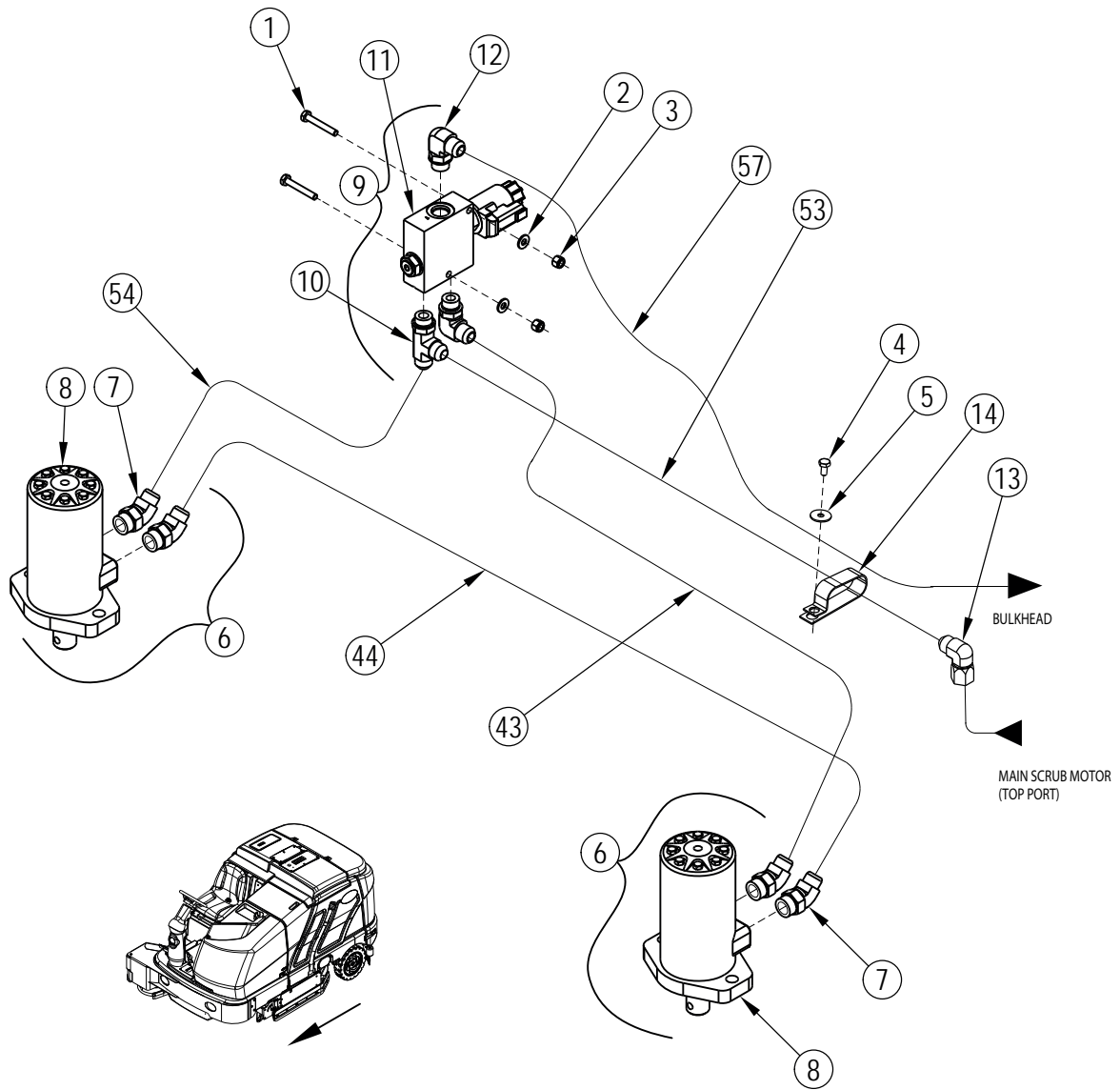
2017.09.05



Pos.	Artikel-Nr.	Menge	Variante	Notes
1	56001833	2	SCR HEX HD 1/4-20X1,5	
2	56001873	1	SCR HEX 3/8-16 X 2.50	
3	56001939	4	Flachdichtung 5/16	
5	56002063	2	"U-Scheibe 3/8""	
6	56002747	1	SCR HEX THD/HD 3/8-16 X 1.50	
8	56002221	4	SCR HEX HD 5/16-18 X 1.00	
9	56002769	1	Stopmutter 3/8-16	
10	56002826	4	NUT HEX NYLOC THIN 5/16-1	
12	56002841	1	NUT HEX NYL LOC-THIN 3/8	
13	56003222	1	"Splint 0.125"" x 0.5""	
14	56009005	4	Schraube 16x.75	
15	56009085	1	NUT HEX JAM 3/8-16	
16	56009087	2	Muter Hexsam 1/4-20	
17	56110278	1	Seitenbesen mit Befestigung	[1]
18	56111958	1	SIDE BROOM LIFT WELDT	
19	56111959	1	LEVER	
20	56110288	1	SIDE BROOM ASSY-RT	[1]
	56110547	1	HARNESS SIDE SCRUB	
		1	Dual Side Broom Hyd Assy	
23	56111199	2	BEARING-PILLOW BLOCK	
24	56111261	2	Düse	[2]
25		1	Pump Assembly	
26	56264260	1	Schlauch gewebeverstärkt	
27	56305008	1	Stellmotor CR 1400	
28	56317122	1	Schlauch gewebeverstärkt	
29	56321404	1	PIN .312X1.780 HC38DB	
30	56508441	1	TEE 1/4 HOSE BARB	
31	56756364	4	Schlauchklemme	
32	2-00-05253	2	KLammer	
33	56305798	1	Schaumstoffdichtung	

Part Notes:

- [1] - (items 1-10)
 [2] - (items 15-20)



SIDE BROOM HYDRAULIC ASSY - DUAL

SC8000 1300 D NIL

2015.05.19

2013.08.13

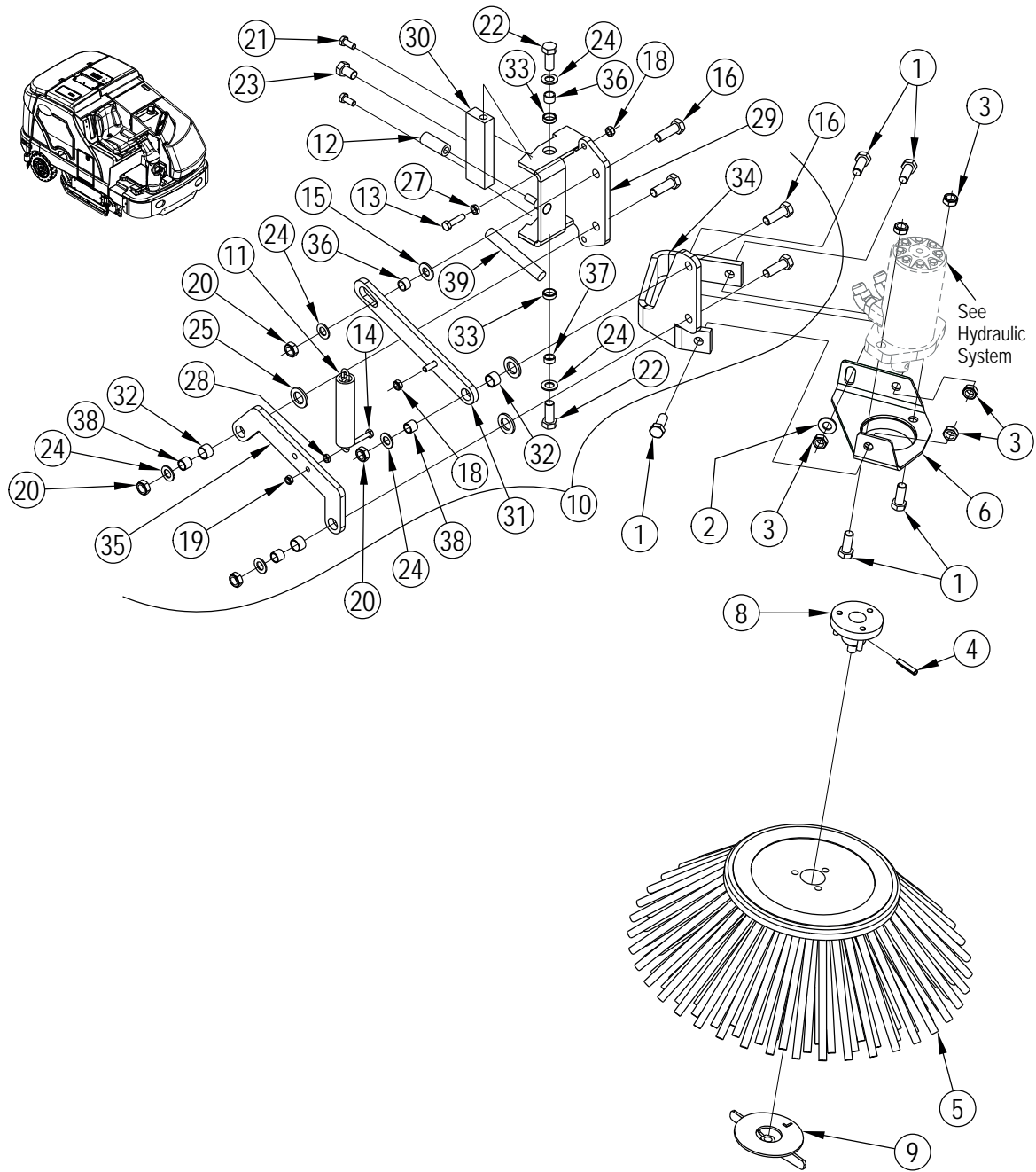
Pos.	Artikel-Nr.	Menge	Variante	Notes
		1	Dual Side Broom Hyd Assy (items 1-14, 43, 44, 53, 54 & 57)	
1	56001967	2	Schraube HEX HD 1/4-20 x	
2	56002098	2	Scheibe	
3	56002840	2	Nut 1/4 20	
4	56003039	1	Schraube 1/4-20	
5	56009002	1	UNTERLEGSCHEIBE, FLACH	
6		2	Hydraulic Motor Assy (items 7-8)	
7	56900164	4	ELBOW 45D O/R-8-10	
8	56110411	2	MOTOR HYDRAULIC 17.9 CIR	
	56479577	1	Dichtsatz	
	56307149	1	Viton Abdichtungkit	
9		1	Valve Assembly, Solenoid (10-12)	
10	56900204	1	TEE RUN O/R -8 E00005	
11	56110711	1	Solenoid Ventil, Motor	
	56507686	1	CARTRIDGE	
	56110715	1	COIL REPLACEMENT	
	56305370	1	CHECK VALVE CARTRIDGE	
	56305354	1	Dichtungskit	
	56111201	1	SEAL KIT	
12	56900104	2	Bogen 90 Grad	
13	56900304	1	ELBOW 90D W/NUT -8 E00007	
14	2-00-05253	1	KLammer	
43	56110778	1	Schlauchset	
44	56110779	1	Schlauchset	
53	56110792	1	HOSE ASSY	
54	56110793	1	HOSE ASSY	
57	56110796	1	HOSE ASSY	

SIDE BROOM SUB ASSY - LEFT

SC8000 1300 D NIL

2015.05.19

2013.08.13



SIDE BROOM SUB ASSY - LEFT

SC8000 1300 D NIL

2015.05.19

2013.08.13

Pos.	Artikel-Nr.	Menge	Variante	Notes
	56110278	1	Seitenbesen mit Befestigung	[1]
1	56001831	5	Schraube 1/2-13X1.25	
2	56001879	1	U-SCHEIBEN	
3	56002843	5	NUT HEX NYL LOC-THIN1/2-1	
4	56003494	1	Spannstift	
5	56477812	1	Seitenbesen PP	
6	56111966	1	LEFT SIDE BROOM BRKT WELDT	
8	56305723	1	Aufnahme f. Seitenbesen	
9	56305725	1	Mutter	
10	56110279	1	Hebelarm f. Seitenbesen	[2]
11	56407335	1	Kette Saugfuss BR 850 C	
12	56761327	1	Federsatz Kompl.	
13	56001834	1	Schraube 5/16-18 x 1.25	
14	56001878	1	SCR HEX HD 1/4-20 X 1.25	
15	56001879	1	U-SCHEIBEN	
16	56001968	4	Schraube	
18	56002826	2	NUT HEX NYLOC THIN 5/16-1	
19	56002840	1	Nut 1/4 20	
20	56002843	4	NUT HEX NYL LOC-THIN1/2-1	
21	56002956	2	Schraube HEX LOC 5/16-18	
22	56003022	2	SCR HEX HD LOC 1/2-1X3	
23	56003032	1	Schraube 13x.75	
24	56009017	6	WSH FLT HARDEN 516x938x75	
25	56009022	3	Scheibe-U	
27	56009086	1	NUT, HEX JAM 5/16-18	
28	56009087	1	Muter Hexsam 1/4-20	
29	56111962	1	HINGE WELDT	
30	56110290	1	PIVOT BLOCK	
31	56111961	1	ARM-SIDE BROOM UPPER	
32	56304586	3	Lager 750x625x500	
33	56304893	2	Kunststoffbuchse	
34	56111963	1	BRKT-LEFT SIDE BROOM	
35	56111964	1	ARM-SIDE BROOM LOWER	
36	56360627	2	Büchse	
37	56365030	1	BUSHING CA334D	
38	56367206	3	BUCHSE	
39	56448112	1	SPRING EXTENSION	

Part Notes:

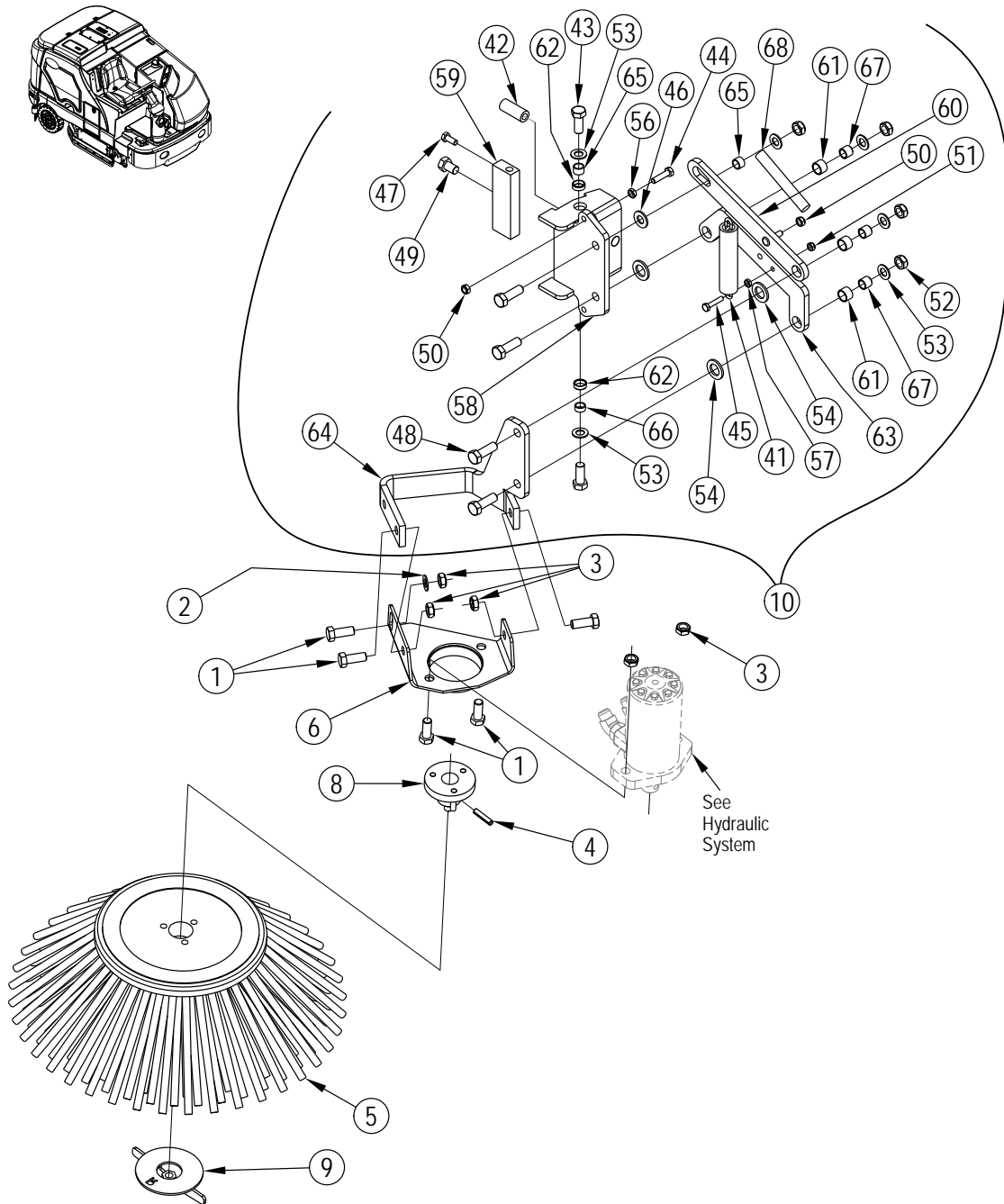
- [1] - (items 1-10)
 [2] - (items 11-39)

SIDE BROOM SUB ASSY - RIGHT

SC8000 1300 D NIL

2015.05.19

2013.08.13



SIDE BROOM SUB ASSY - RIGHT

SC8000 1300 D NIL

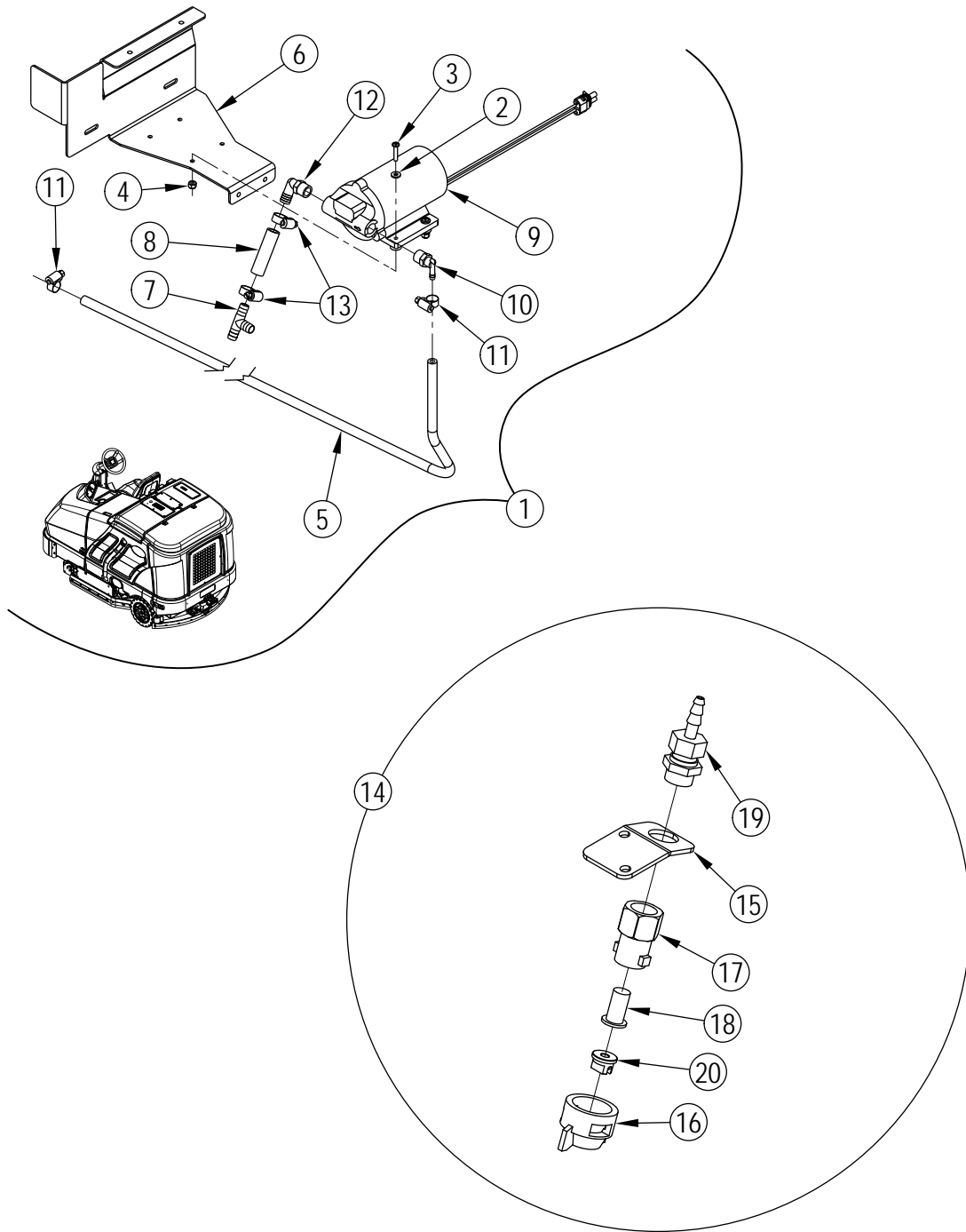
2015.05.19

2013.08.13

Pos.	Artikel-Nr.	Menge	Variante	Notes
	56110288	1	SIDE BROOM ASSY-RT	[1]
1	56001831	5	Schraube 1/2-13X1.25	
2	56001879	1	U-SCHEIBEN	
3	56002843	5	NUT HEX NYL LOC-THIN1/2-1	
4	56003494	1	Spannstift	
5	56477812	1	Seitenbesen PP	
6	56111960	1	MOTOR BRKT WELDT	
8	56418543	1	Seitenbesenflansch	
9	56305731	1	Befestigungsmutter f.	
10	56110289	1	ARM ASSEMBLY-RT	[2]
41	56407335	1	Kette Saugfuss BR 850 C	
42	56761327	1	Federsatz Kompl.	
43	56003022	2	SCR HEX HD LOC 1/2-1X3	
44	56001834	1	Schraube 5/16-18 x 1.25	
45	56001878	1	SCR HEX HD 1/4-20 X 1.25	
46	56001879	1	U-SCHEIBEN	
47	56002956	1	Schraube HEX LOC 5/16-18	
48	56001968	4	Schraube	
49	56003032	1	Schraube 13x.75	
50	56002826	2	NUT HEX NYLOC THIN 5/16-1	
51	56002840	1	Nut 1/4 20	
52	56002843	4	NUT HEX NYL LOC-THIN1/2-1	
53	56009017	6	WSH FLT HARDEN 516x938x75	
54	56009022	3	Scheibe-U	
56	56009086	1	NUT, HEX JAM 5/16-18	
57	56009087	1	Muter Hexsam 1/4-20	
58	56111962	1	HINGE WELDT	
59	56110290	1	PIVOT BLOCK	
60	56111961	1	ARM-SIDE BROOM UPPER	
61	56304586	3	Lager 750x625x500	
62	56304893	2	Kunststoffbuchse	
63	56111964	1	ARM-SIDE BROOM LOWER	
64	56111965	1	BRKT-SIDE BROOM	
65	56360627	2	Büchse	
66	56365030	1	BUSHING CA334D	
67	56367206	3	BUCHSE	
68	56448112	1	SPRING EXTENSION	

Part Notes:

- [1] - (items 1-10)
- [2] - (items 41-68)



SIDE BROOM SUB ASSY - PUMP

SC8000 1300 D NIL

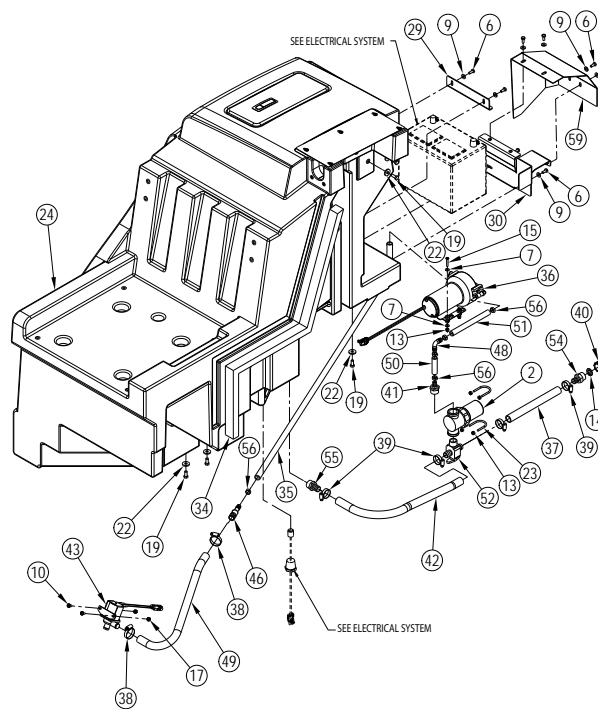
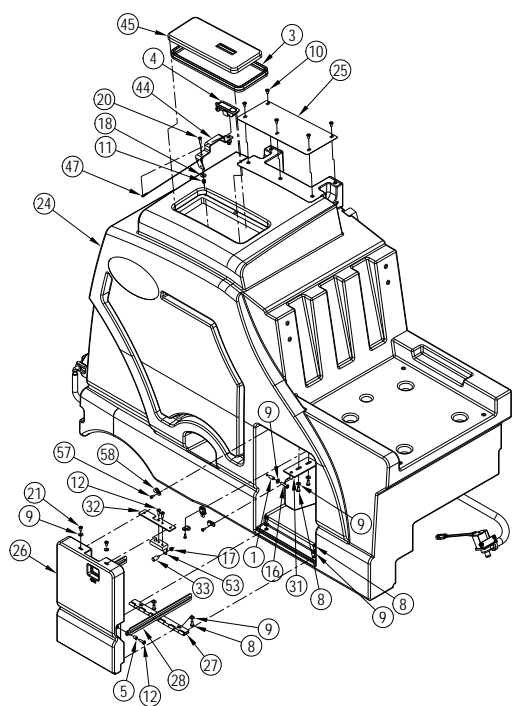
2015.05.19

2017.09.05

Pos.	Artikel-Nr.	Menge	Variante	Notes
1		1	Pump Assembly (items 2-13)	
2	56001954	4	WSH FLT SAE 10	
3	56002674	4	SCR PAN HD PHIL 10-24X1.0	
4	56002768	4	1/4-20 NYLOC NUT	
5	56111477	1	HOSE POLYEST BRAID .25ID X 100	
6	56384010	1	BRACKET-PUMP MOUNT	[1]
7	56262549	1	Aufsatz	
8	56392347	1	Schlauch PVC Transp. 2,5"	
9	56507851	1	Pumpe 24V	
10	56508442	1	ELBOW BARB 1/4 X 3/8 NPT	
11	56756364	2	Schlauchklemme	
12	56900069	1	Winkel BR 1000	
13	722030	2	Schlauchschele Nr. 6	
14	56111261	1	Düse	[2]
15	56111956	1	BRKT-SPRAY NOZZLE	
16	56507908	1	Kappe für Düse	
17	56507909	1	ADAPTER NOZZLE	
18	56507916	1	Rückschlagventil	
19	56508449	1	NOZZLE ADAPTOR	
20	56508450	1	Düse, spray .033	

Part Notes:

- [1] - TSB-FC-2014-032 SC8000_Condor XL Pumps Failing
DE TSB-FC-2014-032 SC8000 ER1300 Reinigungsmittelpumpe defekt
- [2] - (items 15-20)



Pos.	Artikel-Nr.	Menge	Variante	Notes
1	56330741	2	LAGERBUCHSE	
2	56407162	1	Filter	
2	56384157	1	GASKET-FILTER	[1]
3	56407282	1	Dichtung	
4	56418471	1	Verschluss zu CR 1300	
5	56330027	2	BUSHING	
6	56001836	8	Schraube 1/4-20x0.62	
7	56001954	8	WSH FLT SAE 10	
8	56002066	6	Schraube	
9	56002098	18	Scheibe	
10	56002145	7	Schraube 1/4 20x .50	
11	56002491	2	Stopmutter 1/4-20	
12	56002507	4	SCR PAN PHIL 1/4-20 X .75	
13	56002768	8	1/4-20 NYLOC NUT	
14	56368776	2	Dichtung Frischwasser-verschluss zu BA 5	
15	56002824	4	SCR PAN PHIL 10-24X1.25	
16	56002825	2	SCR PAN PHIL 1/4-20 X 1.2	
17	56002840	3	Nut 1/4 20	
18	56002914	2	WSH FLT STD SS 1/4	
19	56002956	5	Schraube HEX LOC 5/16-18	
20	56003074	2	Schraube FLT PHIL SS	
21	56009062	2	Schraube	
22	56009122	5	Unterlegscheibe	
23	56110318	2	U-BOLT 10-24 X R.69	
24	56110380	1	TANK SOLUTION	
25	56110636	1	COVER	
26	56110740	1	Abdeckung	
27	56110741	1	HINGE	
28	56110744	2	SUPPORT DOOR	
29	56110893	1	BRACKET BATTERY UPPER	
30	56384010	1	BRACKET-PUMP MOUNT	[2]
31	56110917	1	LATCH PIN WLDMT	
32	56110918	1	PLATE LATCH MOUNT	
33	56110919	1	LATCH PIN	
34	56111066	1	Abdichtung	
35	56111122	1	Sachlauch spiral .50 69.0	
36	56111387	1	Pumpe 12V - 60Psi	[3]
37	56111458	1	Schlauch, .75 x 9.50	
38	56112771	2	CLAMP HOSE SAE 10	
39	56244969	4	Schlauch-Bride	
40	56255076	1	Frischwasserverschluss zu BA 530	
41	56262190	1	Schraube	
42	56264262	1	Schlauch, spiral .750	
43	56305103	1	SOLENOID VALVE ASSEMBLY	[4]
44	56305206	1	PLATE LATCH	
45	56305209	1	COVER SOLUTION TANK	
46	56315625	1	Verbindungsstück	
47	56330391	1	Drahtseil zu BR700	
48	56386183	1	HOSE BARB 90 DEG	
49	56392833	1	Schlauch Spiral	
50	56392347	1	Schlauch PVC Transp. 2,5"	
51	56397207	1	HOSE PVC .500X7.00 E00199	
52	56413581	1	Wasserhahn BR 1300/S	
53	56413802	1	Verschluss	
54	56900273	1	Schlauchnippel BA 800	
55	56456801	1	Schlauchnippel 3/4 NPT zu CR 1300	
56	722030	6	Schlauchschelle Nr. 6	
57	56001993	3	SCR PAN HD PHIL 10-24X.50	
58	56172017	3	P-CLIP E00129	