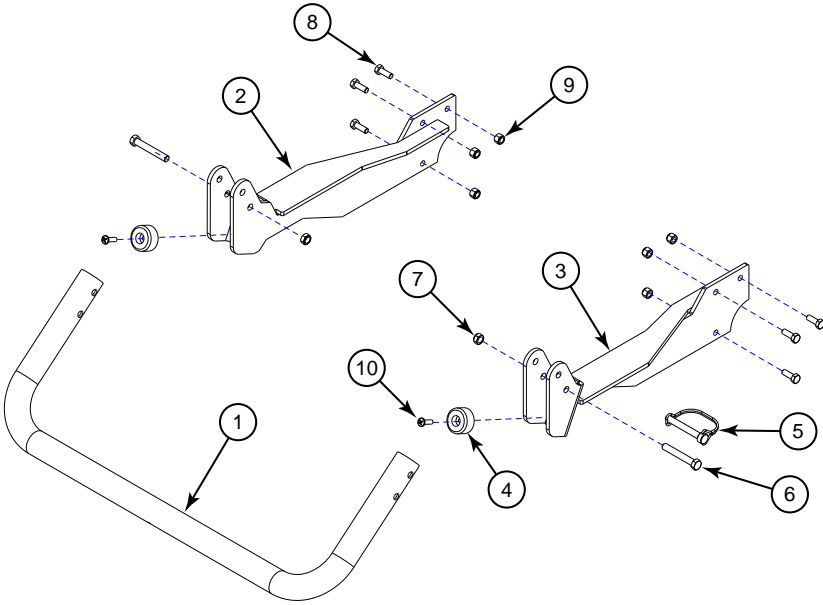


Pos.	Artikel-Nr.	Menge	Variante	Notes
	56116517	1	ECOFLEX KIT	
1	56315690	1	CAP 38MM BUTTRESSButtress Cap, 38mm	
2	56315523	1	Deckel EDS-SchwimmerDry Break Cap with 1/8" Barb	
3	56104189	1	INSERT-DRY BRAKEDry Break Insert	
4		1	Supply Hose, 14"	[1]
5	56315517	1	EDS Tankdeckel zu BA 551Bottle Cap	
6	56104408	1	CHEMICAL BOTTLE ASSYChemical Bottle Assembly	
6	56104190	1	Ecoflex-Behälter 5 LiterEcoFlex Bottle Assembly	
7		4	Screw M3 x 7 Self Thrd Torx Plas	[2]
8	56116726	1	BRACKET WELDMENTSsupport Bracket	
9		3	Nut, Hex, Nylock, M6	[2]
10		3	Washer, Flat, 6.4mm	[2]
11		6	Cable Tie	[2]
12	56110742	2	Chemie Pumpe 2Detergent Pump, 12V	
13		2	Y-Fitting, 1/8" Barb	[1]
14		4	Pump Hose, 2"	[1]
15		1	Delivery Hose, 32"	[1]
16		1	Reducer, 1/8 x 1/4, Barb	[1]
17		1	Hose Clamp	[1]
18		1	Decal, Chemical Ratio	[3]
19		2	Decal, Advance, SC6000 EcoFlex	[3]
20		2	Decal, Nilfi sk, SC6000 EcoFlex	[3]
			Service Kits	
K1	56116999	1	DECAL KIT-ECOFLEX	[4]
K2	56116940	1	HOSE KIT-ECOFLEX	[5]
K3	56116941	1	HARDWARE KIT-ECOFLEX	[6]

Part Notes:

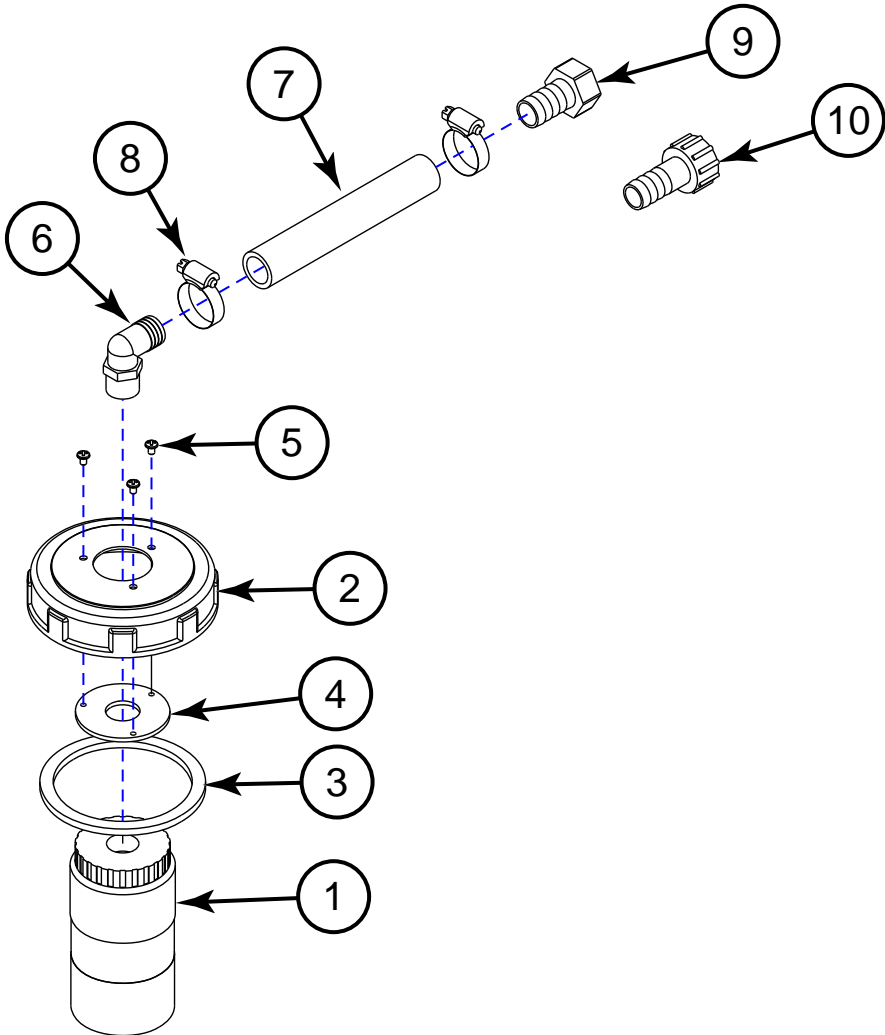
- [1] - Part of K2
- [2] - Part of K3
- [3] - Part of K1
- [4] - Includes pos. 18,19,20
- [5] - Includes pos.4,13,14-17
- [6] - Includes pos. 3,9-11



Pos.	Artikel-Nr.	Menge	Variante	Notes
	56116361	1	SQUEEGEE GUARD KIT	
1	56116562	1	TUBE-SQUEEGEE GUARD	
2	56116749	1	GUARD ARM WELDMENT-LEFT	
3	56116750	4	GUARD ARM WELDMENT-RIGHT	
4		2	Rubber Bumper	[1]
5		1	T-Lock Pin	[1]
6		2	Screw, Hex Head, 3/8-16 x 2.5	[1]
7		2	Nut, Nyloc, 3/8-16	[1]
8		6	Screw, Hex Head, 5/16-18 x 7/8	[1]
9		6	Nut, Nyloc, 5/16-18	[1]
10		2	Screw, Pan, Phillips, 1/4-20 x 7/8	[1]
			Service Kits	
K1	56116948	1	HARDWARE KIT-SQUEEGEE GUARD	

Part Notes:

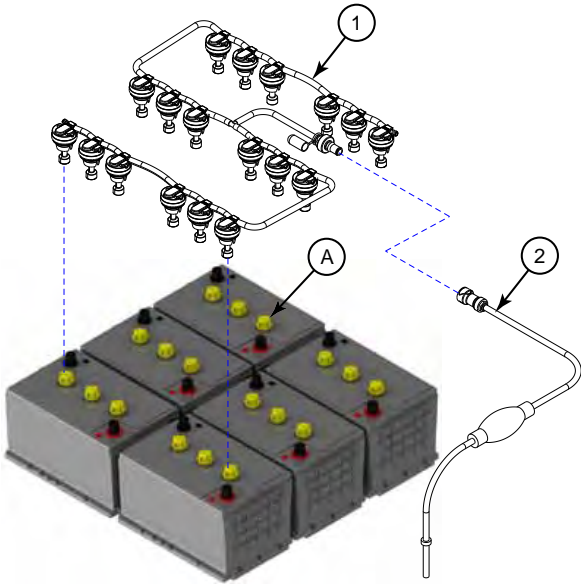
[1] - Part of K1



Pos.	Artikel-Nr.	Menge	Variante	Notes
	56116358	1	SOLUTION AUTO FILL KIT	
1		1	Valve, Autofi II	
2		1	Autofi II Cap	
3		1	Gasket, Solution Cap	
4		1	Fill Mount Plate	
5		3	Screw, Pan Hd, 8-32 x .25	
6		1	Elbow, 3/4" Barb x 1/2" NPT	[1]
7		1	Hose, Spiral, 3/4" x 6"	[1]
8		2	Hose Clamp	[1]
9		1	3/4" Garden Hose Fitting (U.S.)	[1]
10		1	3/4" Garden Hose Fitting (European)	[1]
			Service Kits	
K1	56118055	1	CONNECTOR KIT-AUTO FILL	

Part Notes:

[1] - Part of K1



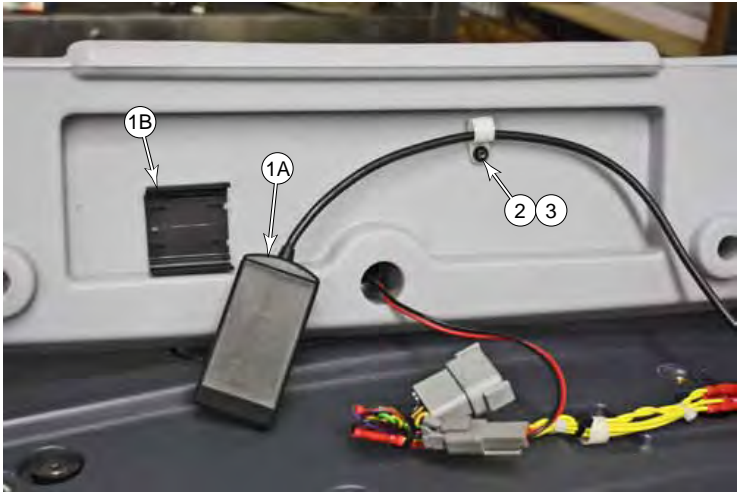
56116614 BATTERY WATERING KIT

SC6000 860D NIL

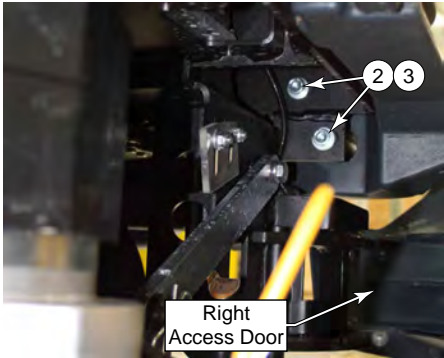
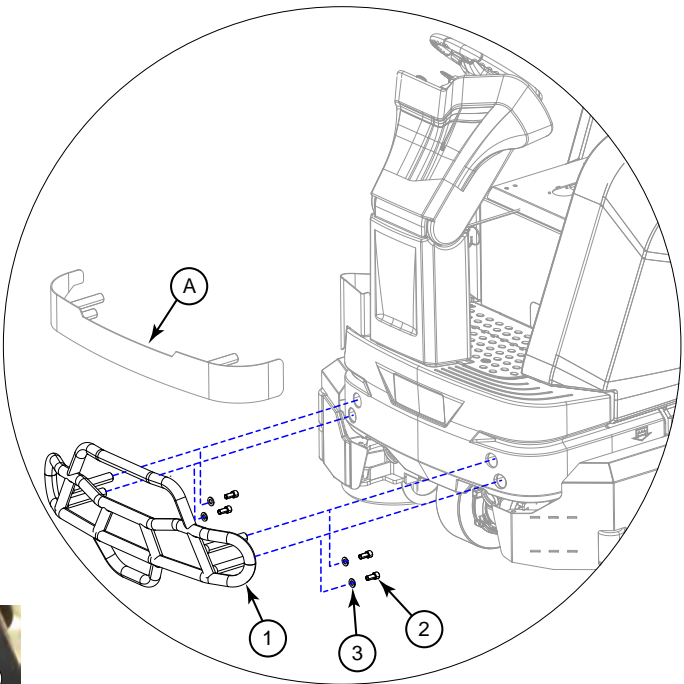
2016.06.09

2016.06.10

Pos.	Artikel-Nr.	Menge	Variante	Notes
	56116614	1	BATTERY WATERING KIT-36V	
1		1	Watering Manifold	
2		1	Hand Pump	



Pos.	Artikel-Nr.	Menge	Variante	Notes
	56116731	1	TRACKCLEAN SC6000 KIT	
1		1	Trackclean Sensor	
2		1	Cable Clamp	
3		4	Screw, M5 x 20	
NS		1	Alcohol Swabs	



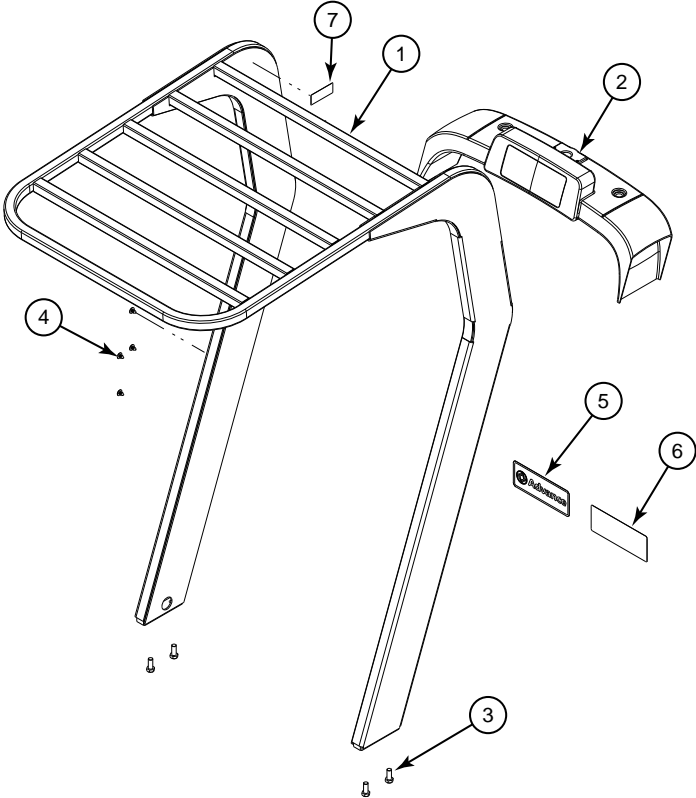
56116359 HEAVY DUTY FRONT BUMPER KIT

SC6000 860D NIL

2016.06.09

2016.06.10

Pos.	Artikel-Nr.	Menge	Variante	Notes
	56116359	1	BUMPER KIT-HEAVY DUTY-FRONT	
1		1	Heavy Duty Bumper Weldment	
2		4	Screw, Socket Head, M12 x 25	
3		4	Washer, Flat, 13 x 24	



56116152 OVERHEAD GUARD KIT

SC6000 860D NIL

2016.06.09

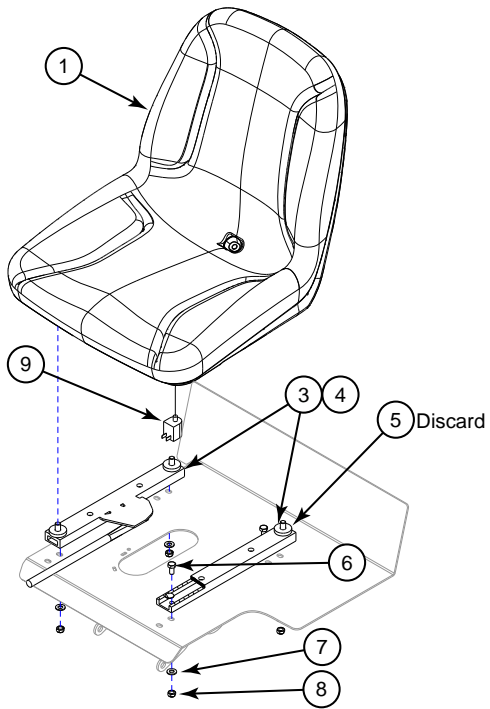
2016.06.10

Pos.	Artikel-Nr.	Menge	Variante	Notes
	56116152	1	OVERHEAD GUARD KIT	
	56116686	1	OVERHEAD GUARD KIT-SHORT	
1		1	Overhead Guard	
2		1	Crossbar	
3		4	Screw, Hex Head, M12-1.75 x 30	[1]
4		4	Clip, Screw Plug	[1]
5		1	Decal, Advance	
6		1	Decal, Nilfi sk	
7		1	Decal, Serial Data plate	
			Service Kits	
K1	56118060	1	HARDWARE KIT-OVERHEAD GUARD	

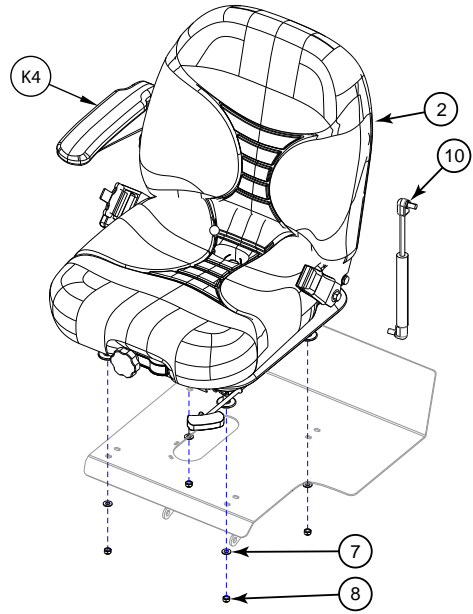
Part Notes:

[1] - Part of K1

STANDARD SEAT



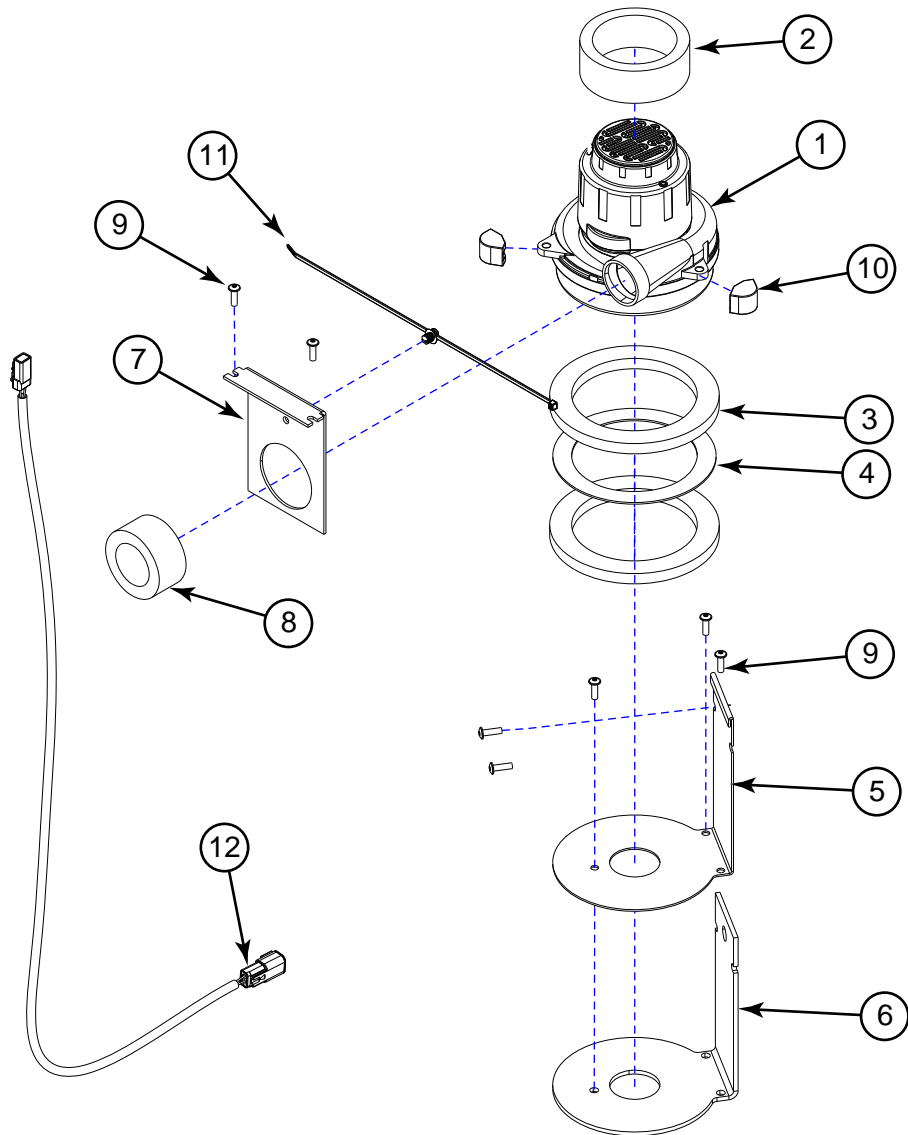
DELUXE SEAT



Pos.	Artikel-Nr.	Menge	Variante	Notes
			CONTENTS OF KIT 56116600	
	56116600	1	SEAT KIT-STANDARD	
1	56383292	1	SEAT-11.25 IN. MOUNT	
3		1	Seat Slide Pair	[1]
4		4	Screw, Pan Head, 5/16-18 x 1.25	
5		4	Spacer Washer (Not Used)	
6		4	Screw, Hex Head, 5/16-18 x 5/8	[2]
7		4	Washer, Flat 5/16	[2]
8		4	Nut, Hex, Nyl Loc, 5/16-18	[2]
9	7-82-00050	1	Sitzschalter BR 1300 S	
			CONTENTS OF KIT 56116366	
	56116366	1	DELUXE SEAT KIT	
[]	7-82-00050	1	Sitzschalter BR 1300 S	
2		1	Deluxe Seat	
7		4	Washer, Flat 5/16	[3]
8		4	Nut, Hex, Nyl Loc, 5/16-18	[3]
10	56317072	1	GAS SPRING	
		1	Service Kits	
K1	56109300	1	SLIDE KIT NO STUDS	
K2	56118053	1	HARDWARE KIT-SEAT	
K3	56118054	1	HARDWARE KIT-DELUXE SEAT	
K4	56118064	1	ARM REST KIT-DELUXE	

Part Notes:

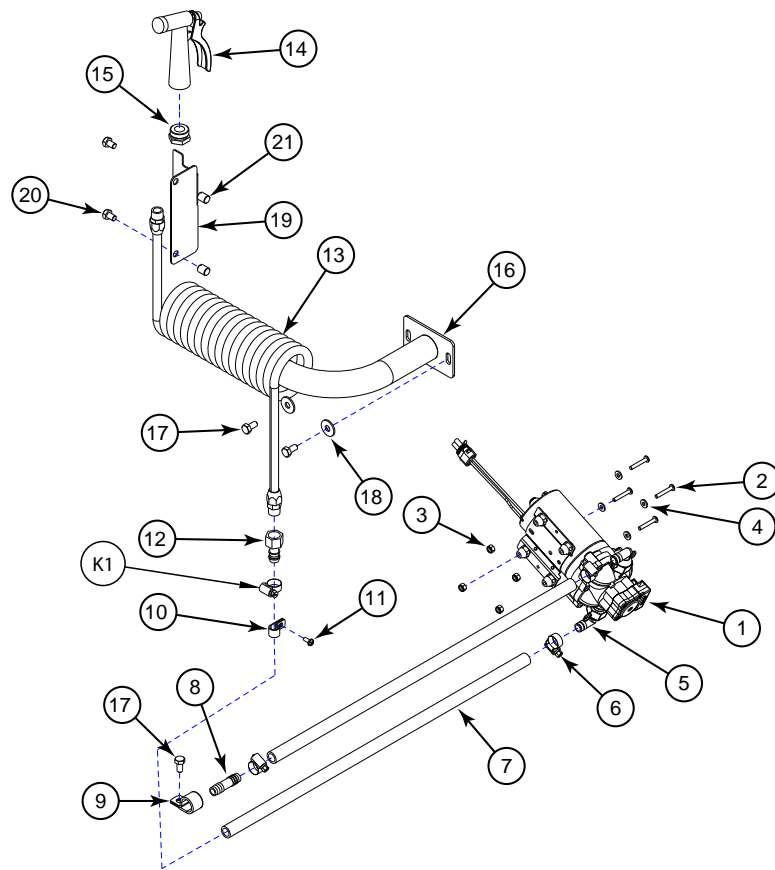
- [1] - Part of K1
- [2] - Part of K2
- [3] - Part of K3



Pos.	Artikel-Nr.	Menge	Variante	Notes
	56116370	1	DUAL VACUUM MOTOR KIT	
[1	Power Cable	
[1	Vacuum Motor Brush Kit	[1]
1	56116105	1	MOTOR-VACUUM 36VDC	
2		1	Cooling Seal	[2]
3		2	Inlet Seal	[2]
4		1	Seal Backing Plate	[2]
5		1	Seal Plate	[3]
6		1	Foam Gasket	[3]
7		1	Vacuum Plate	[3]
8		1	Outlet Seal	[2]
9		7	Screw, M6 x 20	[3]
10		3	Isolation Mounts	[2]
11		1	Cable Tie	[3]
12		1	Vacuum Harness	
	Service Kits			
K1	56116107	1	CARBON BRUSHES	
K2	56116922	1	VACUUM MOTOR SEAL KIT	
K3	56118059	1	SHUT OFF PLATE KIT-DUAL	

Part Notes:

- [1] - Part of K1
- [2] - Part of K2
- [3] - Part of K3



56116512 WASH HOSE KIT

SC6000 860D NIL

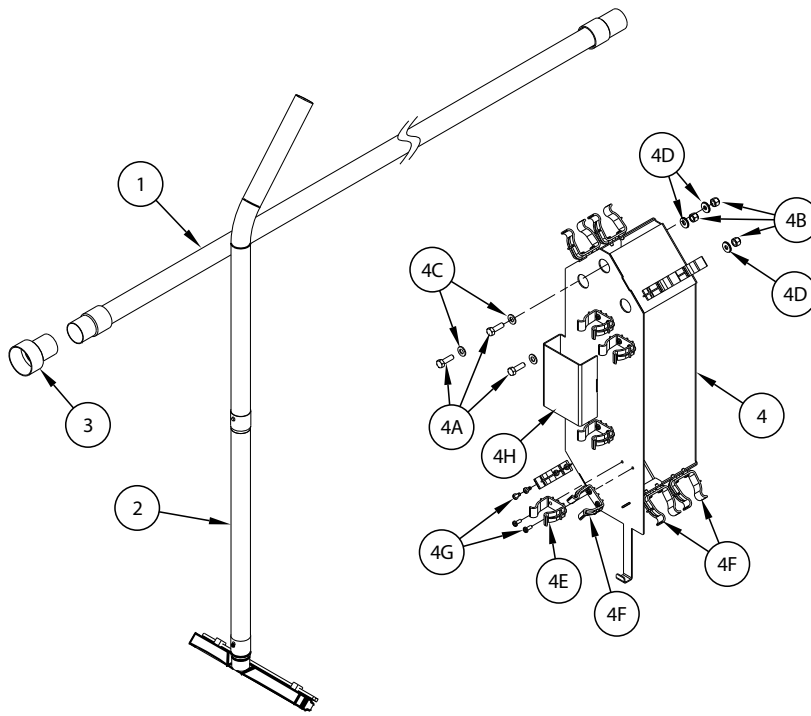
2016.06.09

2016.07.12

Pos.	Artikel-Nr.	Menge	Variante	Notes
	56116512	1	WASH HOSE KIT	
1	56116777	1	PUMP-36VDC	
2		4	Screw, Pan, 10-24 x 1.25	[1]
3		4	Nut, 10-24	[1]
4		4	Washer, Flat, SAE #10	[1]
5	56261246	2	Schlauchwinkel	
6		4	Hose Clamp, SAE #6	[1]
K1		1	Hose Clamp, SAE #6	[2]
7	56116902	2	HOSE-BRAIDED-.50 X 24.00	
8	56116612	1	COUPLER-BARB-0.5	
9		1	P-Clamp, 3/4	[1]
10		1	P-Clamp, 1/2	[1]
11		1	Screw, Pan, M5-.8 x 12mm	[1]
12		1	Hose Barb, Female	[2]
13		1	Wash Hose, Coil	[2]
14	56111349	1	SPRAY GUN	[2]
15		1	Hose Adapter, 3/8 NPT x 3/4 GHT	[2]
16	56116678	1	WASH HOSE MOUNT WELDMENT	[2]
17		3	Screw, Hex Head, M8-1.25 x 16mm	[1]
18		2	Washer, Flat, M8	[1]
19	56116681	1	BRACKET-WASH HOSE	
20		2	Screw, Hex Head, M8-1.25 x 12mm	[1]
21		2	Threaded Insert, M8-1.25	[1]
	Service Kits			
K1	56116945	1	HOSE KIT-COIL	
K2	56116946	1	HARDWARE KIT-WASH HOSE	

Part Notes:

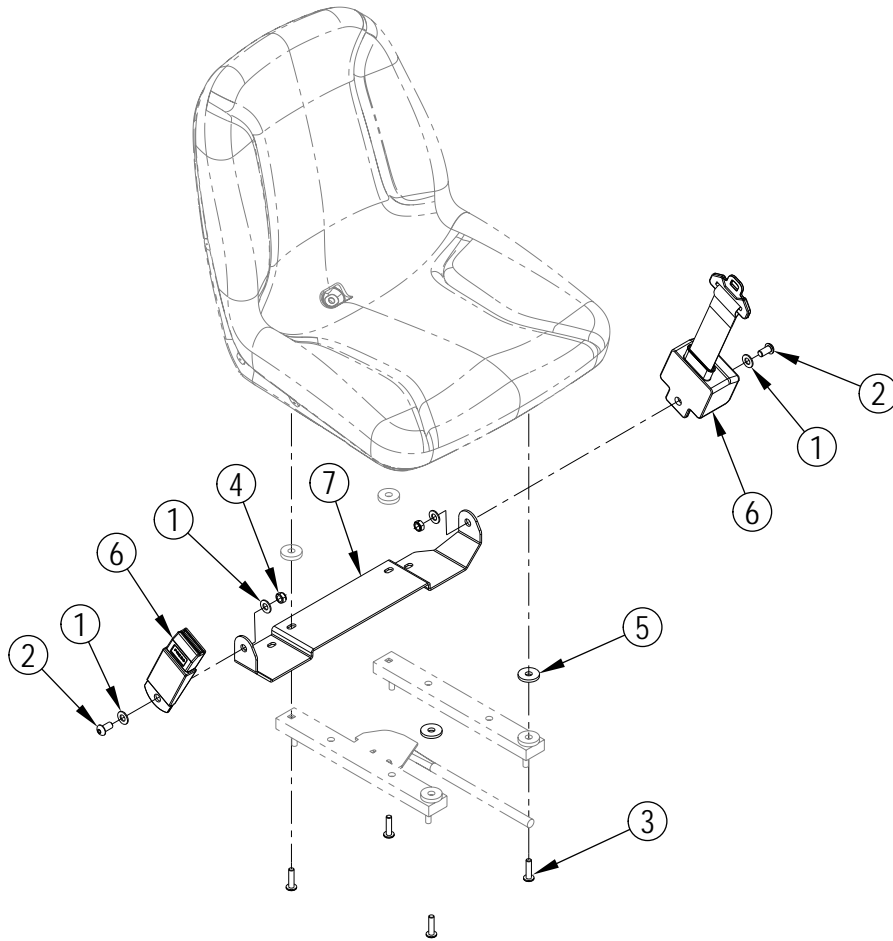
- [1] - Part of K2
 [2] - Part of K1



Pos.	Artikel-Nr.	Menge	Variante	Notes
	56116355	1	VACUUM WAND KIT	
1	56111111	1	HOSE ASSY	
2	56305605	1	Bodendüse m. Lanze	
3	56116626	1	WAND ADAPTER WELDMENT	
4		1	Wand Caddy Assembly	
4A		3	Screw, Hex SS 5/16-18 x 1.0	[1]
4B		3	Nut, Lock Hex SS 5/16-18	[1]
4C		3	Washer, Flat 5/16	[1]
4D		3	Washer, Sealing	[1]
4E		5	Clamp, Plastic	[1]
4F		8	Clamp, Plastic	[1]
4G		26	Scr, Pan Phil Thd Form 10-24 x .50	[1]
4H	56111339	1	CADDY WELDMENT	[1]
	Service Kits			
K1	56118058	1	CLIP AND HDWRE KIT-VAC WAND	

Part Notes:

[1] - Part of K1



56383455 SEAT BELT KIT

SC6000 860D NIL

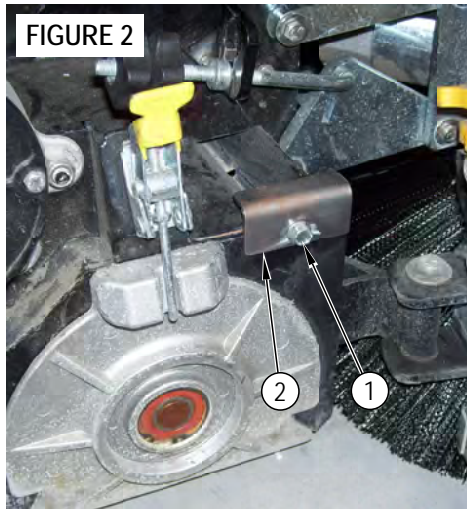
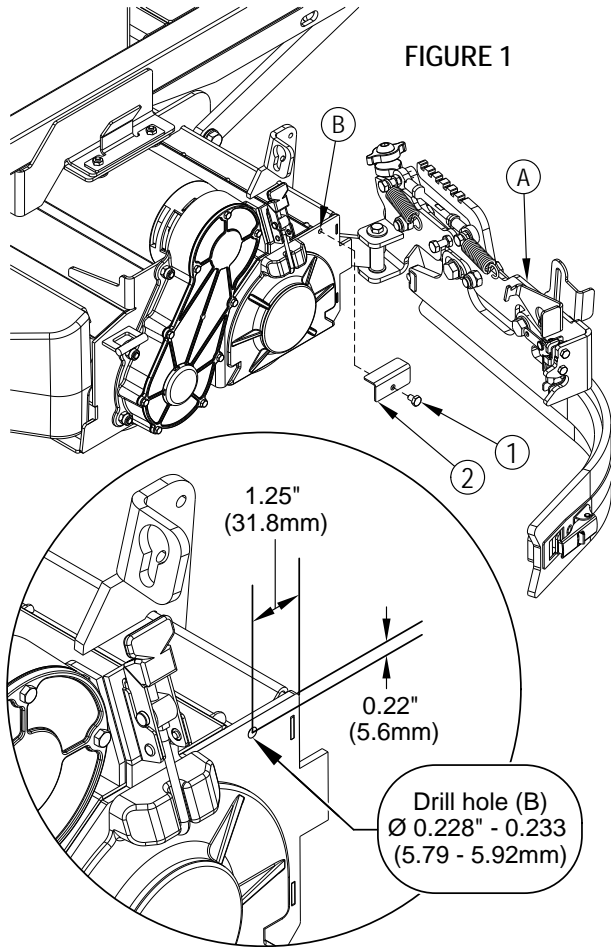
2016.06.09

2016.06.10

Pos.	Artikel-Nr.	Menge	Variante	Notes
0	56383455	1	Sicherheitsgurt-Set	
1	56002063	4	"U-Scheibe 3/8""	
2	56003729	2	Schraube	
3	56002795	4	SCR PAN PHIL 5/16-18 X 1.25	[1]
4	56002841	2	NUT HEX NYL LOC-THIN 3/8	
5	56009195	2	WSH FLT .406X 1.250X .164	
6	56109301	1	BELT SEAT 60	
7	56383296	1	BRACKET-SEAT BELT	

Part Notes:

[1] - GUARANTEE DATE EXPIRED



56118127 SCRUB DECK KIT

SC6000 860D NIL

2016.11.29

2016.11.29

Pos.	Artikel-Nr.	Menge	Variante	Notes
0	56118127	1	SCRUB DECK KIT	[1]
1		1	Scr, Hex Thd Form 1/4-20 X .38	
2		1	Bracket	

Part Notes:

[1] - TSB-FC-2017-031 SC6000 Solution deflector on cylindrical decks

 **Nilfisk**[®]

 07351-5758060

kontakt@nilfisk-alto-shop.com



 **Heine**
Vertriebs-GmbH

Preisabfrage bzw. Bestellungen der Artikel im Shop unter

www.nilfisk-alto-shop.com

einfach die Artikelnummer in die Suchmaske eingeben

(Bitte die Artikelnummer ohne Leerzeichen eingeben)