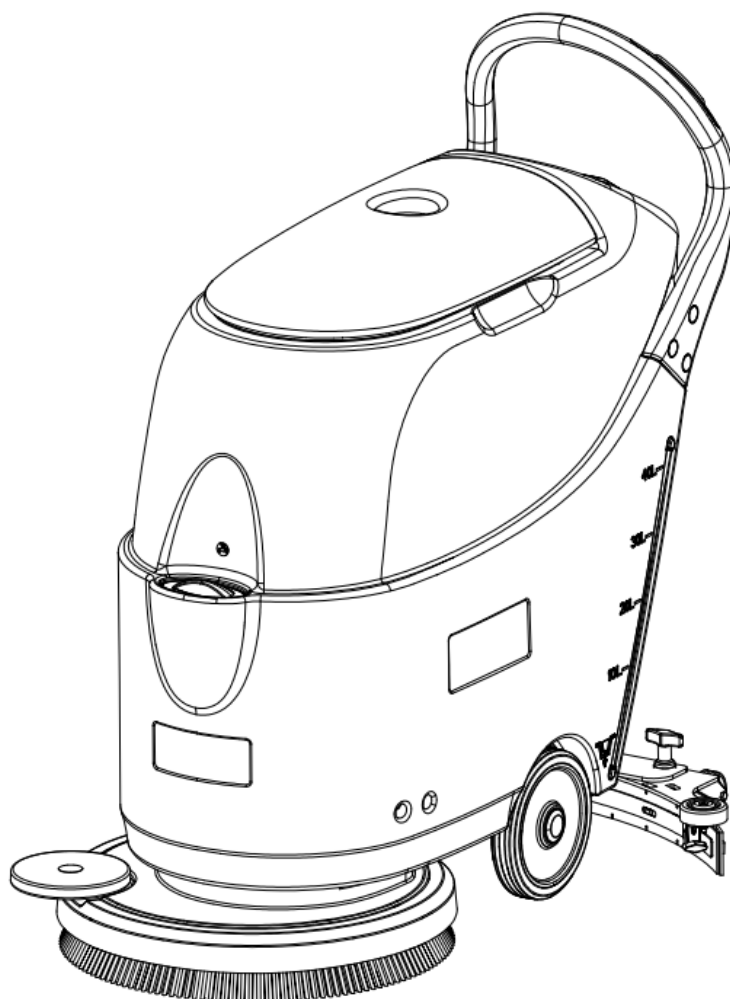


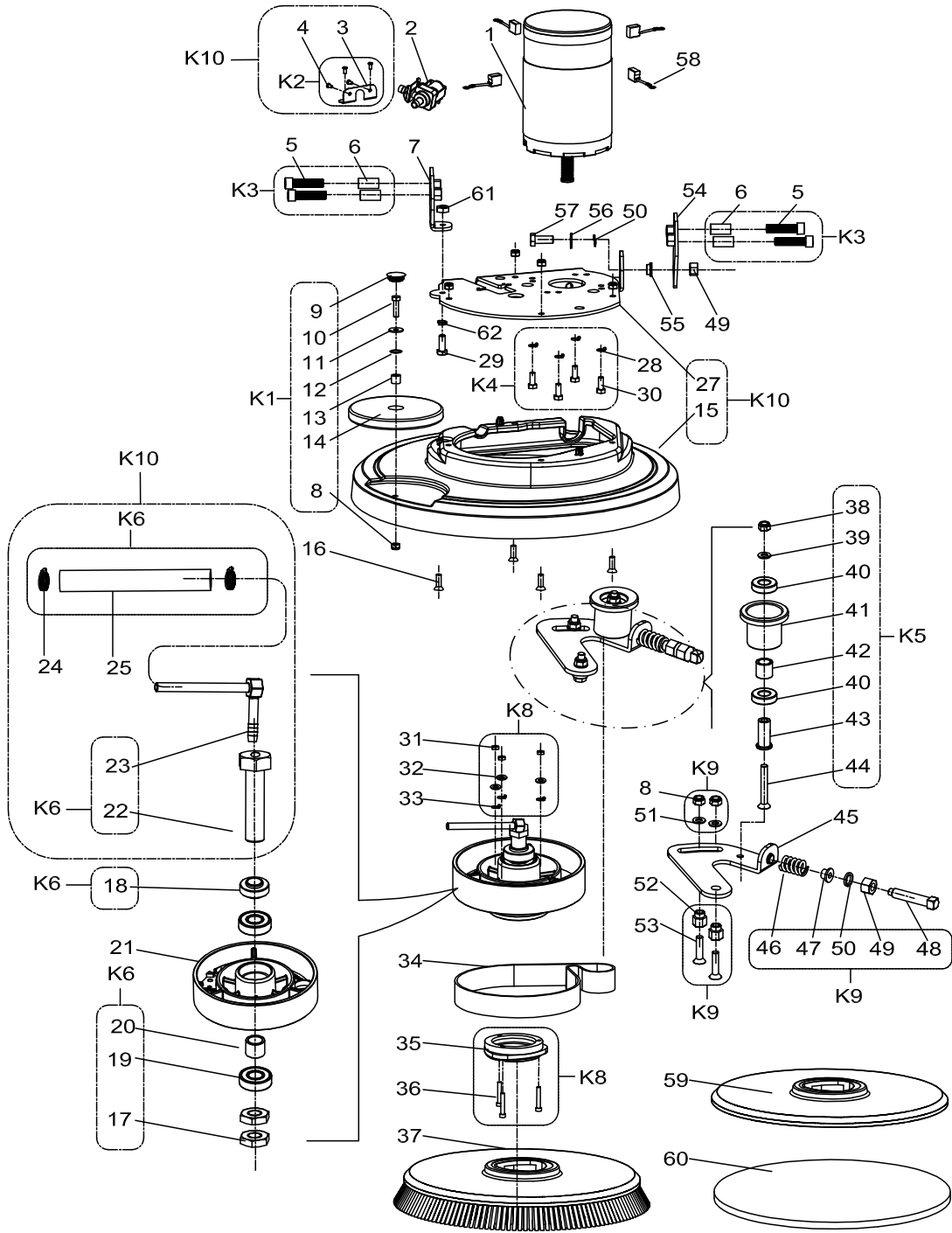
PARTS LIST



2022.02.21

TABLE OF CONTENTS

| | |
|---------------------|----|
| Brush | 1 |
| Control panel | 4 |
| Squeegee | 7 |
| Tank | 9 |
| Wheels | 12 |

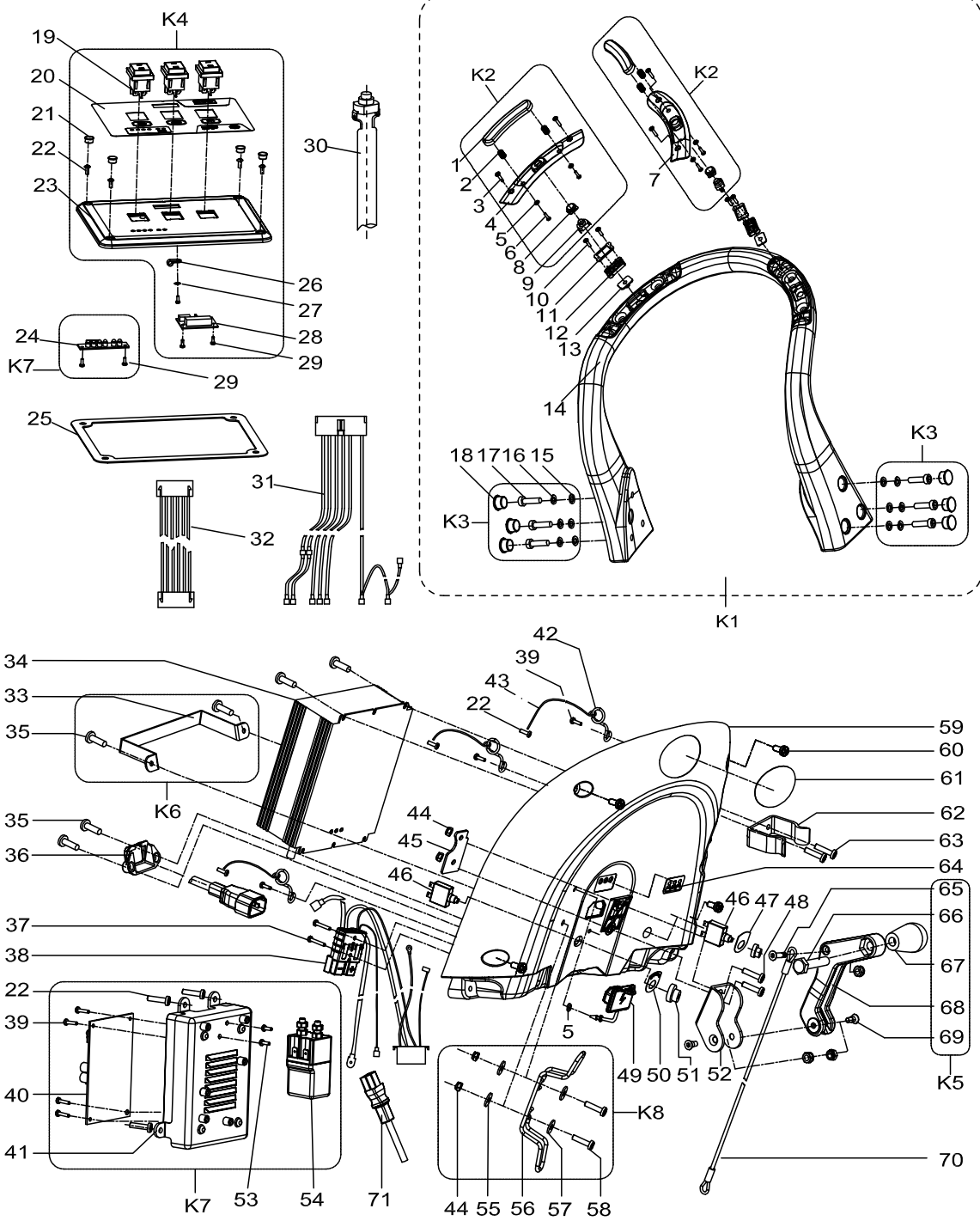


| Pos. | Artikel-Nr. | Menge | Variante | Notes |
|------|-------------|-------|---------------------------------------|-------|
| 1 | VF90299 | 1 | BRUSH MOTOR AS430-AS510 EU VERSION | [1] |
| 2 | VF90282 | 1 | Magnetventil für AS430/510B+C | |
| 3 | | 1 | SOLENOID VALVE BRACKET | |
| 4 | | 4 | SCREW M4*10 | |
| 5 | | 4 | SCREW M12*50 | |
| 6 | | 4 | SPACER | |
| 7 | VF91022 | 1 | COATING CONNECTING PLATE B | |
| 8 | | 8 | LOCK NUT M8 | |
| 9 | | 1 | CAP. BLACK | |
| 10 | | 1 | SCREW M8*30 | |
| 11 | | 1 | FLAT WASHER Ø24*Ø8*2 | |
| 12 | | 1 | WAVE WASHER Ø15 | |
| 13 | | 1 | SPACER Ø15*Ø13*9 | |
| 14 | VF91053 | 1 | ROLLER BUMPER | |
| 15 | VF91004 | 1 | BRUSH DECK | |
| 16 | | 4 | HEX SCREW M8*25 | |
| 17 | | 2 | NUT M20 | |
| 18 | | 1 | SPACER | |
| 19 | ZD45425 | 2 | BEARING 6204 LU | |
| 20 | | 1 | CLAMP SLEEVE | |
| 21 | VF91011 | 1 | MACHINING PULLEY | |
| 22 | VF91058 | 1 | DRIVEN PULLEY SHAFT | |
| 23 | | 1 | EXHALENT SIPHON | |
| 24 | | 1 | WIRE CLIP | |
| 25 | | 1 | TUBE L70mm | |
| 27 | VF91013 | 1 | COATING MOTOR FIXING PLATE | |
| 28 | | 5 | SPRING WASHER Ø8 | |
| 29 | | 1 | SCREW M8*16 | |
| 30 | | 4 | SCREW M8*20 | |
| 31 | | 3 | NUT M6 | |
| 32 | | 3 | FLAT WASHER Ø12*Ø6.3*1.2 | |
| 33 | | 3 | SPRING WASHER Ø6 | |
| 34 | VF90408 | 1 | PULLEY BELT | |
| 35 | | 1 | BUSH JOINT | |
| 36 | | 3 | SCREW M6*35 | |
| 37 | L08837025 | 1 | Bürste PPN mittel, 530 mm | |
| 38 | | 1 | NUT LOCK M8 | |
| 39 | | 1 | FLAT WASHER Ø20*Ø8*2 | |
| 40 | VF999821A | 2 | BEARING 6002LU | |
| 41 | VF90445 | 1 | TENSION WHEEL KIT | |
| 42 | VF80209 | 1 | SMALL SPACER | |
| 43 | VF80214 | 1 | BUSHING BEARING | |
| 44 | | 1 | SCREW M8*55 | |
| 45 | VF90427 | 1 | ROD TENSION WHEEL | |
| 46 | VF80232 | 1 | SPRING | |
| 47 | | 1 | SPACER | |
| 48 | | 1 | SCREW, M12*65 | |
| 49 | | 2 | NUT , M12 | |
| 50 | | 2 | SPRING WASHER Ø12 | |
| 51 | | 2 | WASHER Ø8.4*Ø18*2 | |
| 52 | | 2 | BUSHING TENSION WHEEL | |
| 53 | | 2 | SCREW M8*30 | |
| 54 | VF91023 | 1 | COATING CONNECTING PLATE A | |
| 55 | VF90430 | 1 | BRASS SPACER | |
| 56 | | 1 | FLAT WASHER Ø24*Ø12*2 | |
| 57 | | 1 | SCREW M12*30 | |
| 58 | VF91041 | 4 | CARBON BRUSH | |
| 59 | 9099671000 | 1 | Padhalter Ø 508 mm, 20" | |
| 60* | 10001961 | 1 | Eco Pad 21", Ø 533 mm, schwarz, VPE 5 | |

| Pos. | Artikel-Nr. | Menge | Variante | Notes |
|------|-------------|-------|--|-------|
| 60* | 10001962 | 1 | Eco Pad 21", Ø 533 mm, blau, VPE 5 | |
| 60* | 10001963 | 1 | Eco Pad 21", Ø 533 mm, braun, VPE 5 | |
| 60* | 10001964 | 1 | Eco Pad 21", Ø 533 mm, grün, VPE 5 | |
| 60* | 10001965 | 1 | Eco Pad 21", Ø 533 mm, rot, VPE 5 | |
| 60* | 10001966 | 1 | Eco Pad 21", Ø 533 mm, weiß, VPE 5 | |
| 60* | 10002352 | 1 | Eco Brill. Pad 21", Ø 533 mm, rot, VPE 2 | |
| 60* | 10002354 | 1 | Eco Brill. Pad 21", Ø 533 mm, gelb, VPE | |
| 60* | 10002355 | 1 | Eco Brill. Pad 21", Ø 533 mm, grün, VPE | |
| 61 | VF14005 | 1 | NUT M10 HEX | |
| 62 | VF13518 | 1 | WASHER LOCK F10 | |
| K1 | VF85017 | 1 | BUMPER ROLLER KIT | |
| K2 | VF91104 | 1 | SOLENOID VALVE BRACKET KIT | |
| K3 | VF91084 | 1 | CONNECTING PLATE SCREW KIT | |
| K4 | VF91085 | 1 | MOTOR SCREW KIT | |
| K5 | VF90445 | 1 | TENSION WHEEL KIT | |
| K6 | VF91105 | 1 | DRIVEN PULLEY KIT | |
| K7 | VF91087 | 1 | VIBRATION GASKET KIT | |
| K8 | VF91088 | 1 | BRUSH JOINT KIT | |
| K9 | VF91089 | 1 | HARDWARE KIT FOR TENSION WHEEL | |
| K10 | VF91107 | 1 | BRUSH SOLUTION FLOW IMPROVEMENT KIT | [2] |

Part Notes:

- [1] - TSB 2017-002 AS430B brush motor improvement
- [2] - TSB-FC-2017-054 SC430 GO new solution flow
DE TSB-FC-2017-054 SC430 GO neues Design der Frischwasserversorgung

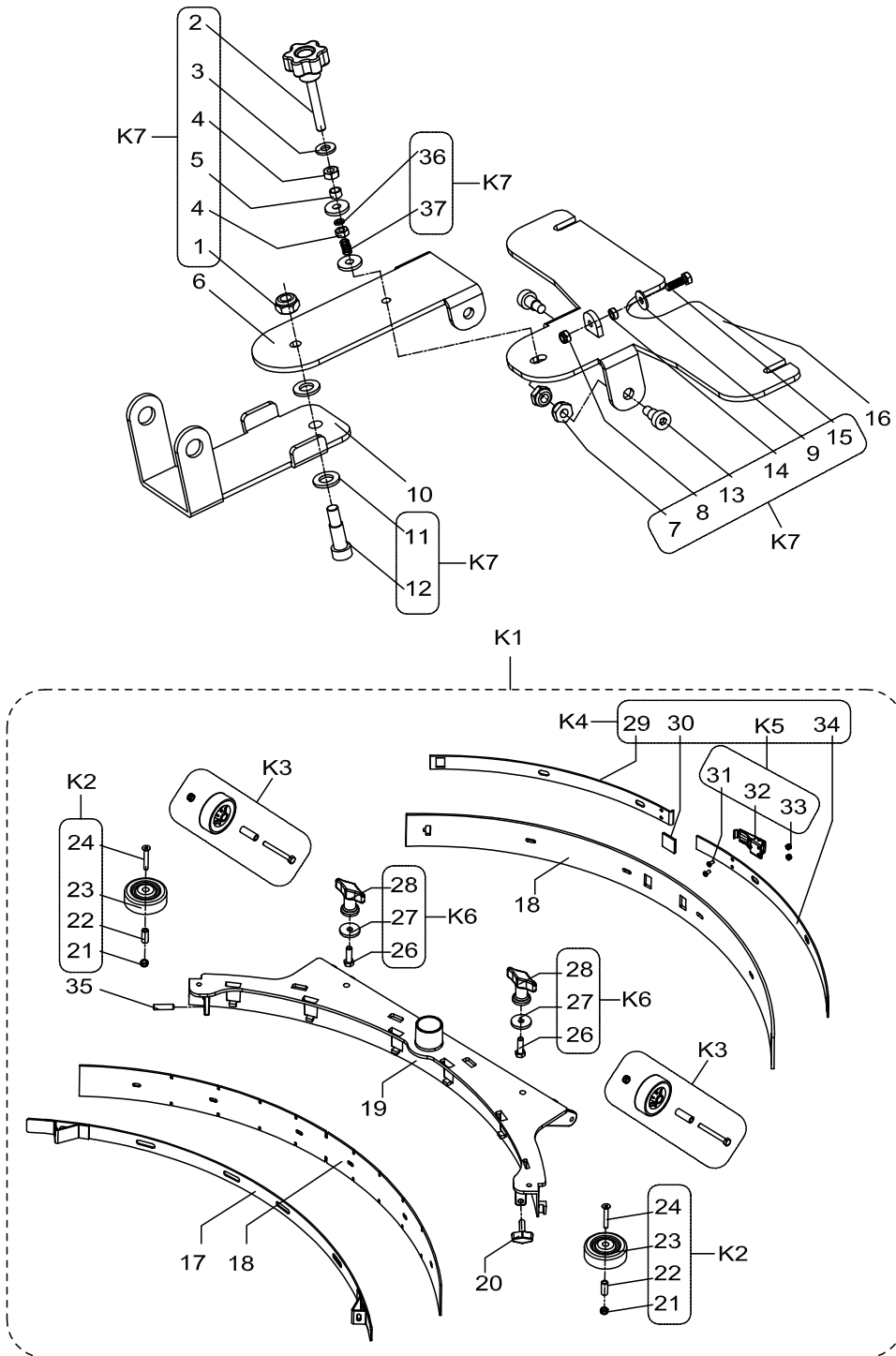


| Pos. | Artikel-Nr. | Menge | Variante | Notes |
|------|-------------|-------|---------------------------------|-------|
| 1 | | 2 | BUTTON | |
| 2 | | 4 | SPRING | |
| 3 | | 4 | SCREW KT3.5* 15 | |
| 4 | | 1 | SAFETY COVER L | |
| 5 | | 5 | FLAT WASHER Ø3.6**Ø8*0.5 | |
| 6 | | 4 | SCREW ST3* 12 | |
| 7 | | 1 | SAFETY COVER R | |
| 8 | | 2 | SWITCH SEAL BUSHING | |
| 9 | VF90252 | 2 | SWITCH | |
| 10 | | 4 | SCREW KA3.5* 12 | |
| 11 | VF90219 | 2 | GASKET | |
| 12 | VF91021 | 2 | SWITCH BASE | |
| 13 | VF90213 | 2 | SWITCH SEAL RING | |
| 14 | | 1 | HANDLE | |
| 15 | | 6 | FLAT WASHER Ø 16* Ø 8* 1.5 | |
| 16 | | 6 | SPRING WASHER. Ø 8 | |
| 17 | | 6 | SCREW M8*30 | |
| 18 | VF91009 | 6 | HANDLE SCREW PLUG | |
| 19 | VA81940 | 3 | WATERPROOF SWITCH | |
| 20 | VF91018 | 1 | PANEL LABEL | |
| 21 | | 4 | PANEL SCREW PLUG | |
| 22 | | 11 | SCREW M4*10 | |
| 23 | VF91008 | 1 | CONTROL PANEL | |
| 24 | VF90238-2 | 1 | LED INDICATOR BATTERY LEVEL | |
| 25 | VF91019 | 1 | EVA GASKET | |
| 26 | | 1 | CABLE CLAMP Ø6.4 | |
| 27 | | 1 | FLAT WASHER Ø9* Ø 4.2* 0.8 | |
| 28 | VF90287 | 1 | HOUR METER | |
| 29 | | 5 | SCREW PA3.0* 8 | |
| 30 | VF91032 | 1 | SAFETY SWITCH KIT | |
| 31 | VF91033 | 1 | CABLE KIT | |
| 32 | VF90238-3 | 1 | CONTROL PANEL CONNENTER CABLE | |
| 33 | | 1 | CHARGER FIX BRACKET | |
| 34 | VF90297 | 1 | CHARGER | |
| 35 | | 6 | SCREW ST4*16 | |
| 36 | VF90211 | 1 | PLUG FIX | |
| 37 | | 2 | SCREW ST3.5*18 | |
| 38 | VF90249-1 | 1 | 20INCH MAIN WIRE HARNESS | [1] |
| 39 | | 7 | SCREW ST3.5*9.5 | |
| 40 | VF90238-1 | 1 | PCB 17INCH CONTROL PANEL | [2] |
| 41 | VF90209 | 1 | PCB HOUSING | |
| 42 | VF90237 | 3 | NYLON CABLE HOOK | |
| 43 | VF90614 | 3 | NYLON CABLE | |
| 44 | | 7 | LOCK NUT M5 | |
| 45 | VF90259 | 1 | HANDLE FIX PANEL | |
| 46 | ZD48320 | 2 | SCHUTZSCHALTER 30A | [1] |
| 47 | VF90020 | 1 | LABEL VACUUM CIRCUIT | |
| 48 | | 2 | SCREW M5* 25 | |
| 49 | VF90215 | 1 | POWER SAFETY COVER | |
| 50 | VF90019 | 1 | LABEL BRUSH CIRCUIT | |
| 51 | VF89076 | 2 | WATER-PROOF CAP CIRCUIT BREAKER | |
| 52 | VF90116 | 1 | HAND BRACKET | |
| 53 | | 2 | SCREW STM4X8 | |
| 54 | VF90230 | 1 | RELAY 24V DC | |
| 55 | | 2 | FLAT WASHER Ø12* Ø 5*1 | |
| 56 | | 1 | CABLE SUPPORT | |
| 57 | | 2 | FLAT WASHER Ø1 6*Ø6.2*1 | |
| 58 | | 2 | SCREW M5* 16 | |
| 59 | VF90815A | 1 | COVER CONTROL HOUSING | |

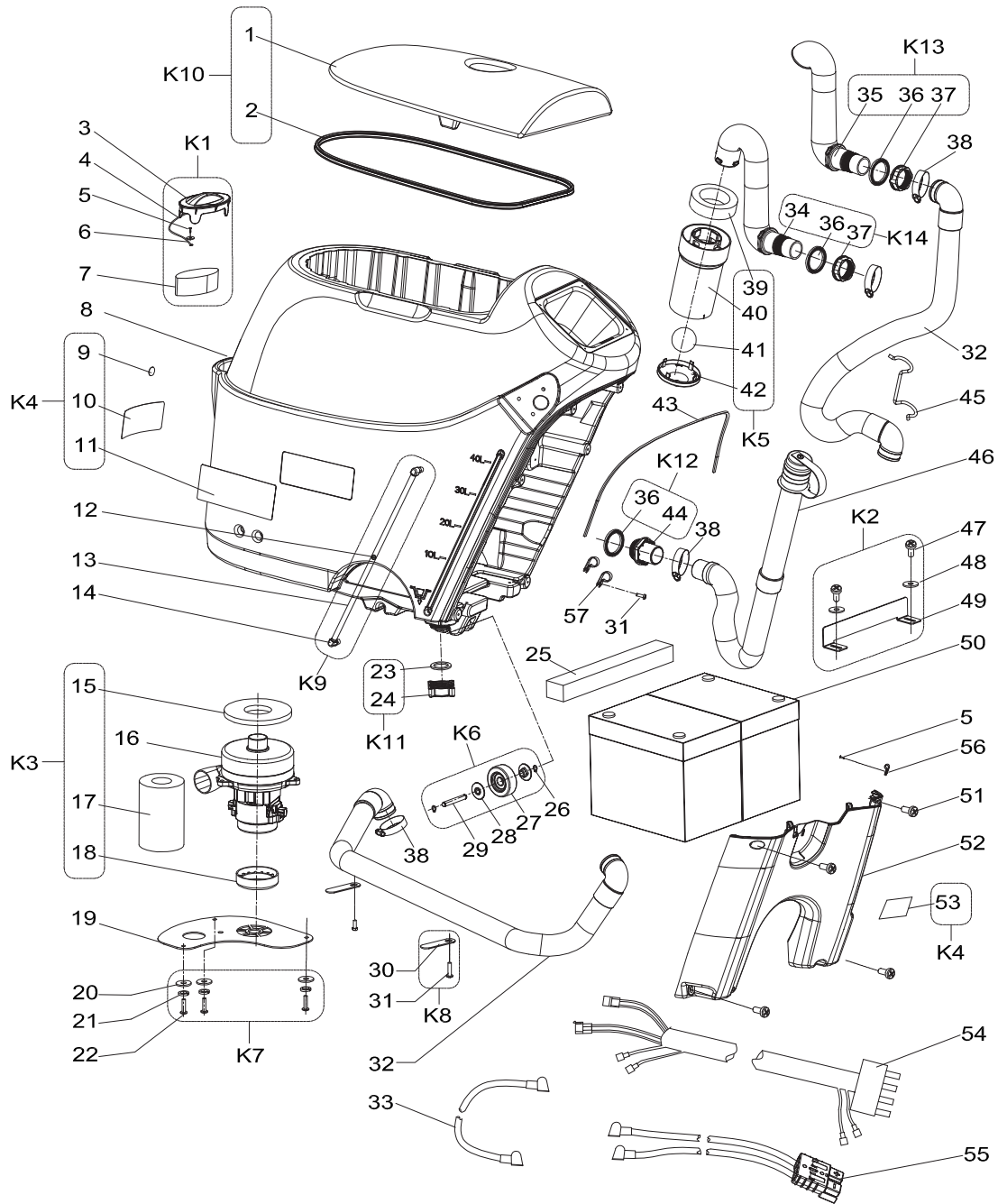
| Pos. | Artikel-Nr. | Menge | Variante | Notes |
|------|-------------|-------|--------------------------------|-------|
| 60 | | 4 | SCREW M5* 12 | |
| 61 | | 1 | SERIAL NUMBER LABEL | |
| 62 | VF90407 | 1 | CLAMP DRAIN HOSE METAL | |
| 53 | | 2 | SCREW ST3.5*16 | |
| 64 | VF90004 | 1 | LABEL BATTERY LEVEL | |
| 65 | VF90129 | 1 | SCREW M5X20 | |
| 66 | | 1 | SCREW M10* 45 | |
| 67 | VF91024 | 1 | KNOB | |
| 68 | VF91015 | 1 | SANDBLASTING LIFTING ROD | |
| 69 | VF90128 | 2 | SCREW M5 | |
| 70 | VF90114 | 1 | CABLE SQUEEGEE LIFT | |
| 71 | VF89725 | 1 | LADEGERÄT NETZKABEL EU-STECKER | |
| 71 | VF89726 | 1 | CHARGER POWER CABLE UK PLUG | |
| K1 | VF91075 | 1 | HANDLE KIT | |
| K2 | VF91076 | 1 | Sicherheitsabdeckungssatz | |
| K3 | VF91077 | 1 | HARDWARE KIT FOR HANDLE | |
| K4 | VF91078 | 1 | CONTROL PANEL KIT | |
| K5 | VF91079 | 1 | LIFTING ROD KIT | |
| K6 | VF91080 | 1 | BRACKET KIT | |
| K7 | VF91081 | 1 | ELECTRIC BOX KIT | [3] |
| K8 | VF91082 | 1 | CABLE SUPPORT KIT | |

Part Notes:

- [1] - TSB-FC-2019-025 brush circuit breaker
DE TSB-FC-2019-025 SC430 Bürstenmotor Motorschutzschalter
- [2] - TSB-FC-2019-032 Modified PCBA
- [3] - TSB-FC-2017-049 SC430 GO spare part board
DE TSB-FC-2017-049 SC430 GO neue Platine

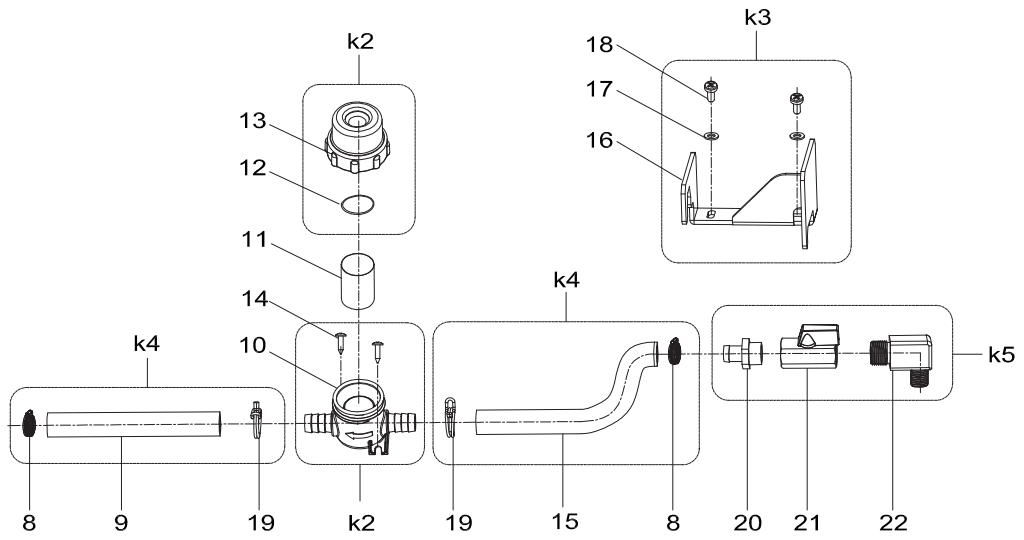
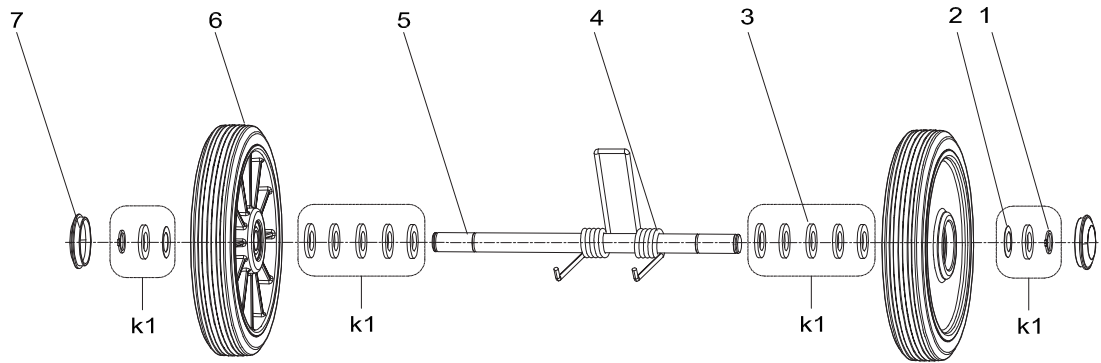


| Pos. | Artikel-Nr. | Menge | Variante | Notes |
|------|--------------|-------|----------------------------------|-------|
| 1 | | 1 | LOCK NUT M10 | |
| 2 | VF85104 | 1 | HANDWHEEL M8X55 | |
| 3 | | 3 | FLAT WASHER Ø18*Ø8.4*2 | |
| 4 | | 3 | NUT M8 | |
| 5 | | 1 | SPACER | |
| 6 | VF90110 | 1 | BACK-SQUEEGEE-SUPPORT | |
| 7 | | 2 | LOCK NUT M8 | |
| 8 | | 1 | NUT M6 | |
| 9 | | 1 | FLAT WASHER Ø16*Ø6.2*2 | |
| 10 | VF90111 | 1 | FRONT-SQUEEGEE-SUPPORT | |
| 11 | | 2 | NYLON WASHER Ø24*Ø13*2.5 | |
| 12 | | 1 | SCREW SHOULDER | |
| 13 | | 2 | SCREW SHOULDER M8 | |
| 14 | | 1 | SPACER | |
| 15 | | 1 | SCREW M6*20 | |
| 16 | VF91012 | 1 | COATING SQUEEGEE CONNECTOR PLATE | |
| 17 | 909 6055 000 | 1 | Halteband f. Gummilippe | |
| 18* | 9100000279 | 1 | Sauglippen-Set, 740 mm, 29" | |
| 18* | 909 6858 000 | 1 | Sauglippenset PU, 740 mm | |
| 19 | 909 6044 000 | 1 | Saugbalken | |
| 20 | 9100000791 | 1 | KNOB M8X30 THD STUD SS PKD | |
| 21 | | 2 | LOCK SELF L.M6 UNI7474 SS | |
| 22 | | 2 | SPACER Ø6.3XØ9.5X21 | |
| 23 | | 2 | ROLLER BUMPER | |
| 24 | | 2 | SCREW M6X40 UNI5933 | |
| 26 | | 2 | SCREW HEX THD 5/16X1-1/4 UNC | |
| 27 | | 2 | WASHER.RUBBER | |
| 28 | | 2 | NUT THUMB SQUEEGEE FIXING | |
| 29 | | 1 | STRAP.SQUEEGEE LEFT REAR | |
| 30 | | 1 | SPACER.RUBBER | |
| 31 | | 2 | SCREW M4X10 UNI7687 SS | |
| 32 | | 1 | LATCH SQUEEGEE | |
| 33 | | 2 | SCREW M6X55 UNI5739 SS | |
| 34 | | 1 | STRAP.SQUEEGEE RIGHT REAR | |
| 35 | 909 6600 000 | 1 | Schraube M8X30 UNI5929 SS | |
| 36 | | 1 | SPRING WASHER Ø8 | |
| 37 | | 1 | SPRING | |
| K1 | 909 6851 000 | 1 | Saugfuß Kit komplett | |
| K2 | 909 6884 000 | 1 | Abweisrollenkit BA 451 | |
| K3 | 909 6883 000 | 1 | Stützrad zu BA 451 | |
| K4 | 909 6882 000 | 1 | Befestigungskit | |
| K5 | 909 6394 000 | 1 | Verschluss BA 451 | |
| K6 | 9097637000 | 1 | Befestigungskit BA 551 | |
| K7 | VF91093 | 1 | HARDWARE SQUEEGEE SUPPORT KIT | |



| Pos. | Artikel-Nr. | Menge | Variante | Notes |
|------|-------------|-------|------------------------------|-------|
| 1 | | 1 | TOP LID | |
| 2 | VF91020 | 1 | SEALING GASKET | |
| 3 | | 1 | WATER INLET LI D | |
| 4 | | 1 | INLET STRAF | |
| 5 | | 3 | SCREW TA3.5* 12 | |
| 6 | | 2 | FLAT WASHER Ø 9 *Ø 4.2* 0.8 | |
| 7 | VF91042 | 1 | FILTER SPONGE | |
| 8 | VF91000 | 1 | TANK | |
| 9 | | 1 | DECAL WATER FAUCET | |
| 10 | | 1 | FRONT LABEL | |
| 11 | | 2 | SIDE LABEL | |
| 12 | | 1 | FLOATING BALL OF WATER LEVEL | |
| 13 | | 1 | INSPECTION TUBE | |
| 14 | | 2 | ELBOW 90" | |
| 15 | | 1 | GASKET | |
| 16 | VF90520EU | 1 | VACUUM MOTOR | |
| 17 | | 1 | ACOUSTIC INSULATION SLEEVE | |
| 18 | | 1 | TOP GASKET OF SUCTION MOTOR | |
| 19 | VF91016 | 1 | COATING VACUUM MOTOR SUPPORT | |
| 20 | | 3 | FLAT WASHER Ø6*Ø18*1.5 | |
| 21 | | 3 | SPRING WASHER.LOCK.Ø5 | |
| 22 | | 3 | SCREW M5*15 | |
| 23 | | 1 | OUTLET O-RING | |
| 24 | | 1 | OUTLET COVER | |
| 25 | VF90533 | 1 | BATTERY SPACER PANEL | |
| 26 | | 2 | RING D 17 | |
| 27 | VF90306 | 1 | 2.5 WHEEL | |
| 28 | | 2 | 205"HUB CAP | |
| 29 | | 1 | WHEEL SHAFT | |
| 30 | | 2 | RETAINER PLATE | |
| 31 | | 3 | SCREW M4*10 | |
| 32 | VF90508 | 2 | Saugschlauch | |
| 33 | VF90246 | 1 | Batteriekabel | |
| 34 | | 1 | SUCTION PIPE | |
| 35 | | 1 | DRAIN HOSE | |
| 36 | | 3 | SUCTION PIPE GASKET | |
| 37 | | 2 | CLAMP NUT | |
| 38 | VA20304 | 4 | CLAMP | |
| 39 | | 1 | FLOAT SPONGE | |
| 40 | | 1 | FLOAT BRACKET | |
| 41 | VF85124 | 1 | FLOATING BALL | |
| 42 | | 1 | FLOAT BRACKET COVER | |
| 43 | VF90218 | 1 | CONTROL SEAL GASKET | |
| 44 | | 1 | DRAIN HOSE CONNECTER | |
| 45 | VF83150 | 1 | Schlauchhalterung | |
| 46 | VF90443 | 1 | Ablassschlauch | |
| 47 | | 2 | SCREW M4*10 | |
| 48 | | 2 | FLAT WASHER Ø4 | |
| 49 | VF90514 | 1 | BATTERY BRACKET | |
| 50 | | 2 | BATTERY 12V 105Ah/20h AMG | |
| 51 | | 4 | SCREW M5*12 | |
| 52 | VF90814A | 1 | BATTERY COVER BLACK | |
| 53 | | 1 | WARNING LABEL | |
| 54 | VF90254 | 1 | WIRE HARNESS MOTOR | |
| 55 | VF90247 | 1 | POWER CABLE | |
| 56 | VF85102 | 2 | SMALL CLAMP | |
| 57 | VF85141 | 1 | BIG CLAMP | |
| K1 | VF91065 | 1 | TANK FILTER KIT | |
| K2 | VF91066 | 1 | BATTERY BRACKET KIT | |

| Pos. | Artikel-Nr. | Menge | Variante | Notes |
|-------------|--------------------|--------------|-------------------------------|--------------|
| K3 | VF91067 | 1 | GASKET KIT | |
| K4 | VF91068 | 1 | DECAL NILFISK KIT | |
| K5 | VF90534 | 1 | FLOAT KIT | |
| K6 | VF90312 | 1 | 2.5 WHEEL KIT | |
| K7 | VF91069 | 1 | HARDWARE KIT FOR SUCTION PUMP | |
| K8 | VF91070 | 1 | RETAINER PLATE | |
| K9 | VF91071 | 1 | TUBE KIT | |
| K10 | VF91072 | 1 | TOP LID KIT | |
| K11 | VF91073 | 1 | OUTLET COVER KIT | |
| K12 | VF91074 | 1 | CONNECTER KIT | |
| K13 | VF90539 | 1 | Schmutzwasserschlauch Kit | |
| K14 | VF90538 | 1 | SUCTION TUBE CONNECTER KIT | |



| Pos. | Artikel-Nr. | Menge | Variante | Notes |
|------|-------------|-------|-----------------------------|-------|
| 1 | VF14552 | 2 | RING D 17 | |
| 2 | | 2 | WAVE WASHER, Ø17.2*22.2*0.4 | |
| 3 | | 12 | WASHERØ30* Ø7* 3 | |
| 4 | VF91014 | 1 | SQUEEGEE SPRING | |
| 5 | VF90304 | 1 | WHEEL SHAFT | |
| 6 | VF91003 | 2 | MAIN WHEEL | |
| 7 | VF89203 | 2 | HUB CAP | |
| 8 | | 2 | WIRE CLIP | |
| 9 | | 1 | TUBE L260mm | |
| 10 | | 1 | FILTER BASE | |
| 11 | VF90608 | 1 | FILTER NET | |
| 12 | | 1 | O-RING | |
| 13 | | 1 | FILTER COVER | |
| 14 | | 2 | SCREW PT4*12 | |
| 15 | | 1 | TUBE L160mm | |
| 16 | | 1 | SOLENOID VALVE BRACKET | |
| 17 | | 2 | WASHER Ø4* Ø12.5*1.5 | |
| 18 | | 2 | SCREW M4*10 | |
| 19 | | 2 | METAL CLIP | |
| 20 | | 1 | CONNECTOR | |
| 21 | | 1 | BALL VALVE | |
| 22 | | 1 | ELBOW90° BRASS | |
| K1 | VF91060 | 1 | WASHER KIT | |
| K2 | VF91061 | 1 | FILTER KIT | |
| K3 | VF91062 | 1 | BRACKET KIT | |
| K4 | VF91063 | 1 | TUBE KIT | |
| K5 | VF91064 | 1 | BALL VALVE KIT | |

